



Publication 408

MAGNUM

FLAIL MOWER/SHREDDER

Models 130, 170, 190 & 225

PARTS MANUAL





For best performance ...

USE ONLY GENUINE McCONEL SERVICE PARTS

*To be assured of the latest design improvements purchase your
'Genuine Replacements' from the 'Original Equipment Manufacturer'*

McCONEL LIMITED

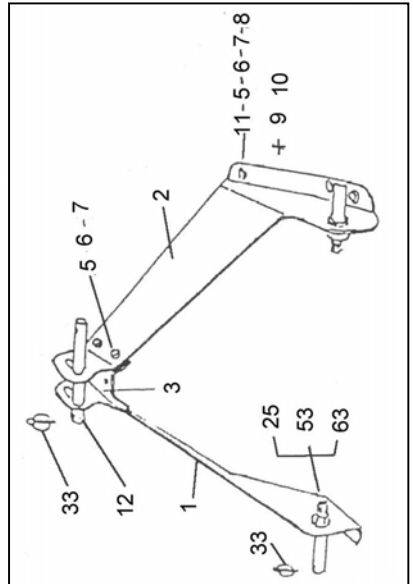
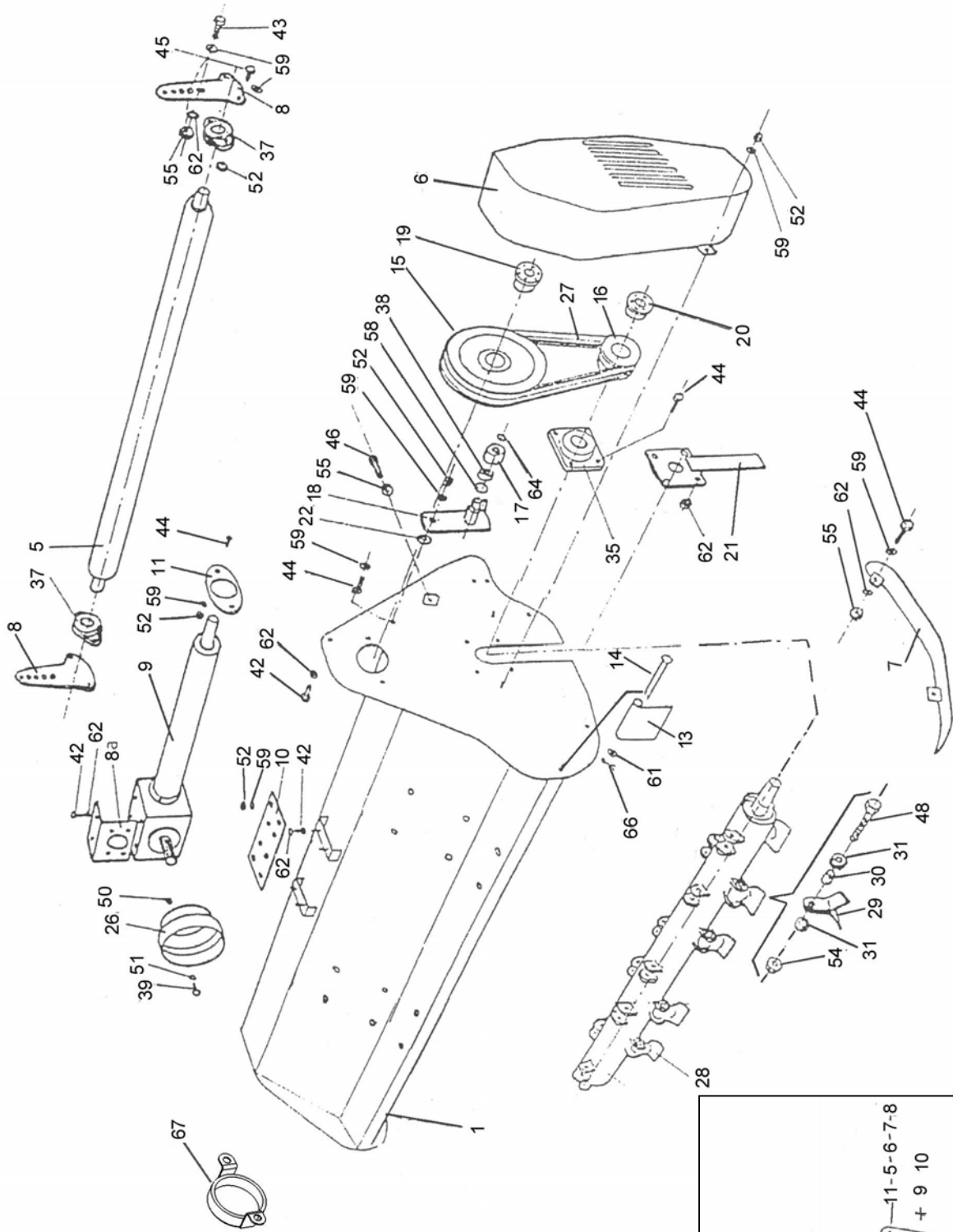
Through your local Dealer or Stockist

Always quote:

- ***Machine Type***
- ***Serial Number***
- ***Part Number***

*Design improvements may alter some of the parts listed in this manual –
the latest part will always be supplied when it is interchangeable with an earlier one.*

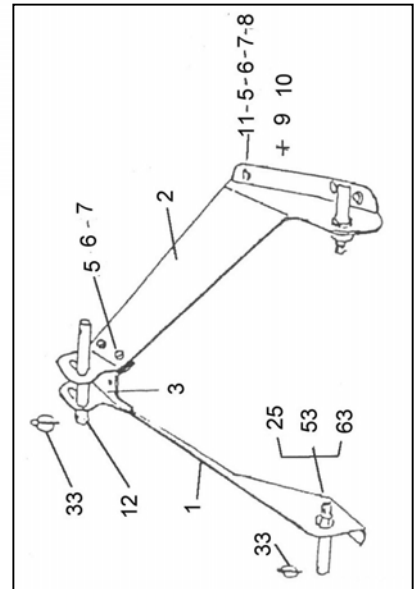
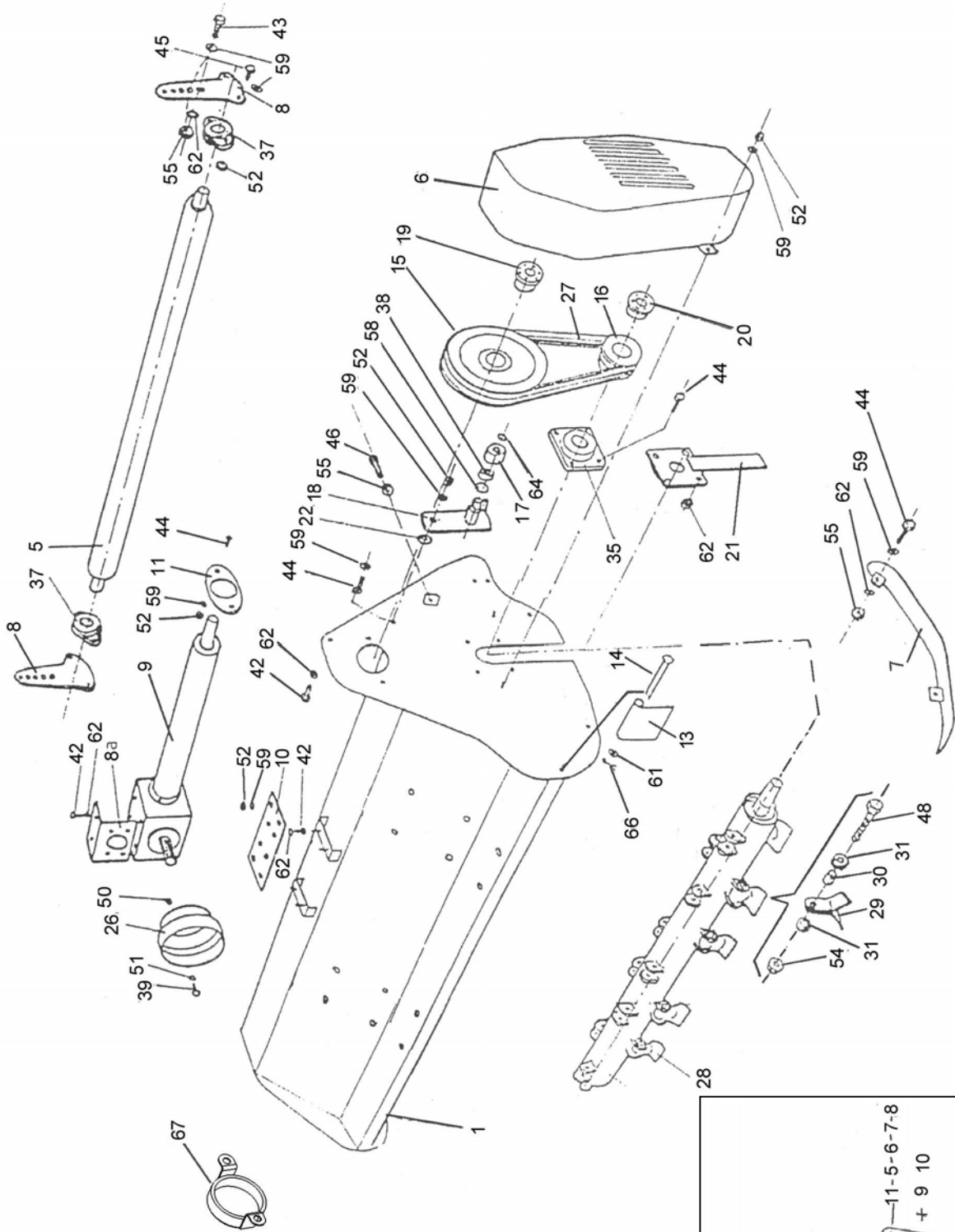
Magnum 130 Parts Diagram



Magnum 130 Parts List

| Ref. | Description | Part No. | Qty. |
|-------------|---------------------------|-----------------|-------------|
| 1 | Frame | 1061043 | 1 |
| 2b | Connecting bow cpl./2001 | 1061001 | 1 |
| 4 | Rotor - 130 | 1061002 | 1 |
| 5 | Roller rear - 130 | 1061003 | 1 |
| 6 | Belt shield | 1061038 | 1 |
| 7 | Skid left | 1061004 | 1 |
| | Skid right | 1061005 | 1 |
| 8 | Roller bracket | 1061006 | 2 |
| 8a | PTO shield holder | 1061007 | 1 |
| 9 | Gearbox | 1061008 | 1 |
| 10 | Drive plate | 1061044 | 1 |
| 11 | Drive flange | 1061009 | 1 |
| 13 | Flap | 1061010 | 7 |
| | Flap | 1061011 | 2 |
| 14 | Flap rod | 1061012 | 1 |
| 15 | Pulley 200 | 1061013 | 1 |
| 16 | Pulley 90 | 1061014 | 1 |
| 17 | Strain pulley | 1061015 | 1 |
| 18 | Belt idler | 1061016 | 1 |
| 19 | Elve clutch 25 | 1061017 | 1 |
| 20 | Elve clutch 30 | 1061018 | 1 |
| 21 | Rotor Flange | 1061019 | 2 |
| 22 | Washer M10 | 9100105 | 1 |
| 23 | Distant sleeve | 1061020 | 1 |
| 24 | Pivot pin 19 | 1061021 | 1 |
| 25 | Pivot pin connect.24 | 1061022 | 2 |
| 26 | Shaft shield | 1061023 | 1 |
| 27 | Belt 1060 | 1061032 | 2 |
| 28 | Hammerblade | 1061033 | 18 |
| 29 | Y-blade | 1061034 | 36 |
| 30 | Y-blade sleeve | 1061035 | 18 |
| 31 | Y-blade distant sleeve | 1061036 | 36 |
| 33 | Safety pin 10 | 1061269 | 3 |
| 35 | Bearing with casing 16206 | 1061024 | 2 |
| 37 | Bearing with casing 16205 | 1061025 | 2 |
| 38 | Bearing 6204 | 1061040 | 1 |
| 39 | Bolt 8/15 | 1061090 | 4 |
| 42 | Bolt 10/20 | 9213045 | 7 |
| 43 | Bolt 10/25 | 9213055 | 4 |
| 44 | Bolt 10/30 | 9213065 | 15 |
| 45 | Bolt 10/40 | 9213085 | 4 |
| 48 | Bolt 10/60 | 9213125 | 1 |
| 47 | Bolt 12/30 | 9213066 | 2 |

Magnum 130 Parts Diagram

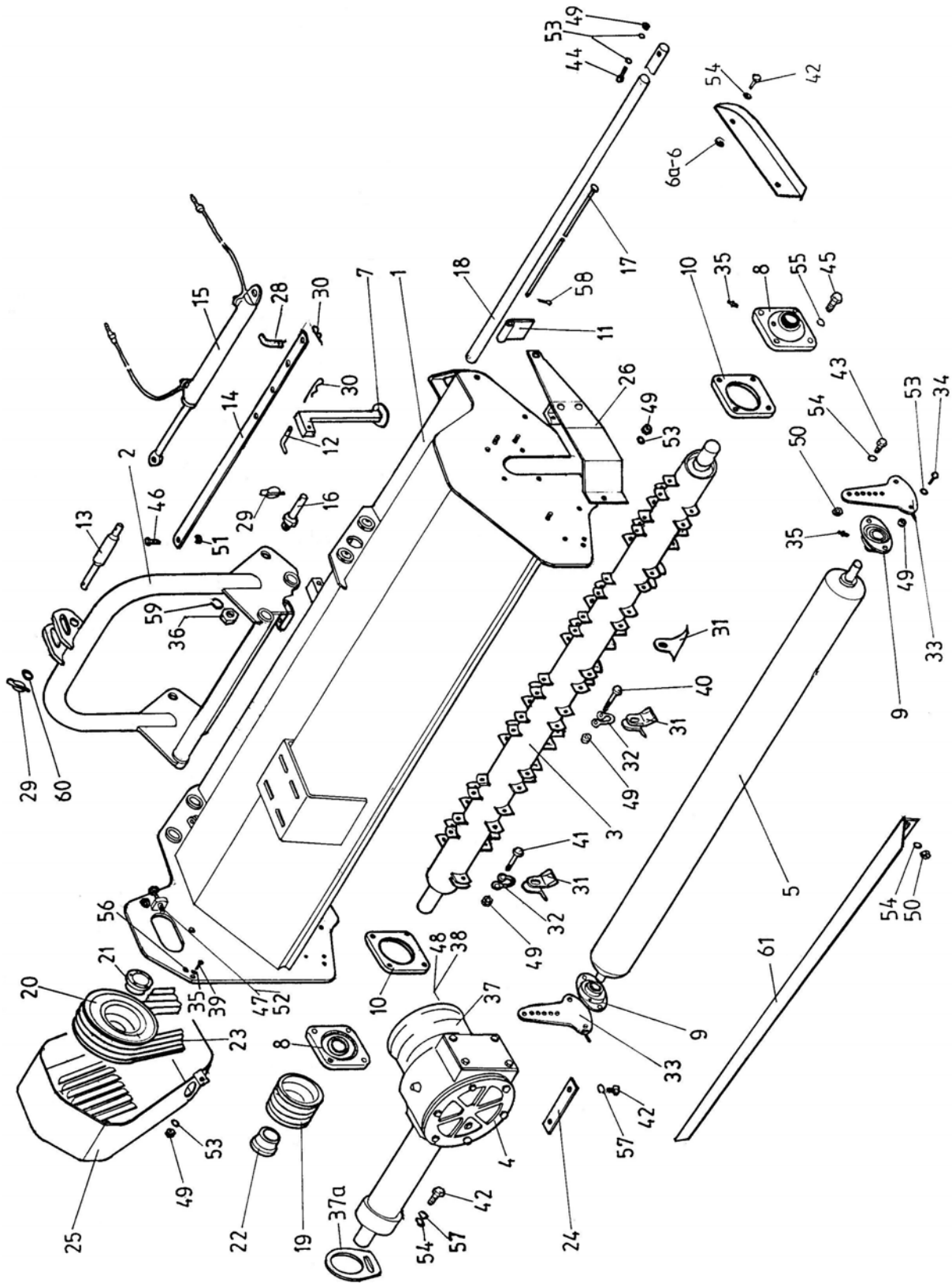



Magnum 130 Parts List

| Ref. | Description | | Qty. |
|-------------|--------------------|-----------|-------------|
| 48 | Bolt 14/80 | 1061132 | 18 |
| 49 | Bolt 14/90 | 1061145 | 1 |
| 50 | Nut 8 | 9113004 | 4 |
| 51 | Washer 8 | 9100104 | 4 |
| 52 | Locknut 10 | 9143005 | 13 |
| 53 | Locknut 12 | 9143006 | 2 |
| 54 | Locknut | 1061042 | 1 |
| 55 | Nut 10 | 9113005 | 5 |
| 56 | Nut 24 | 9113009 | 2 |
| 58 | Slide piece | 1061026 | 1 |
| 59 | Washer 10 | 9100105 | 17 |
| 60 | Washer 12 | 9100106 | 2 |
| 61 | Washer 14 | 05.281.14 | 2 |
| 62 | Spring washer 10 | 9100205 | 23 |
| 63 | Spring washer 24 | 1061096 | 2 |
| 64 | Slide piece | 1061027 | 1 |
| 66 | Split pin | 1061077 | 1 |
| 67 | End cover | 45846.01 | 1 |

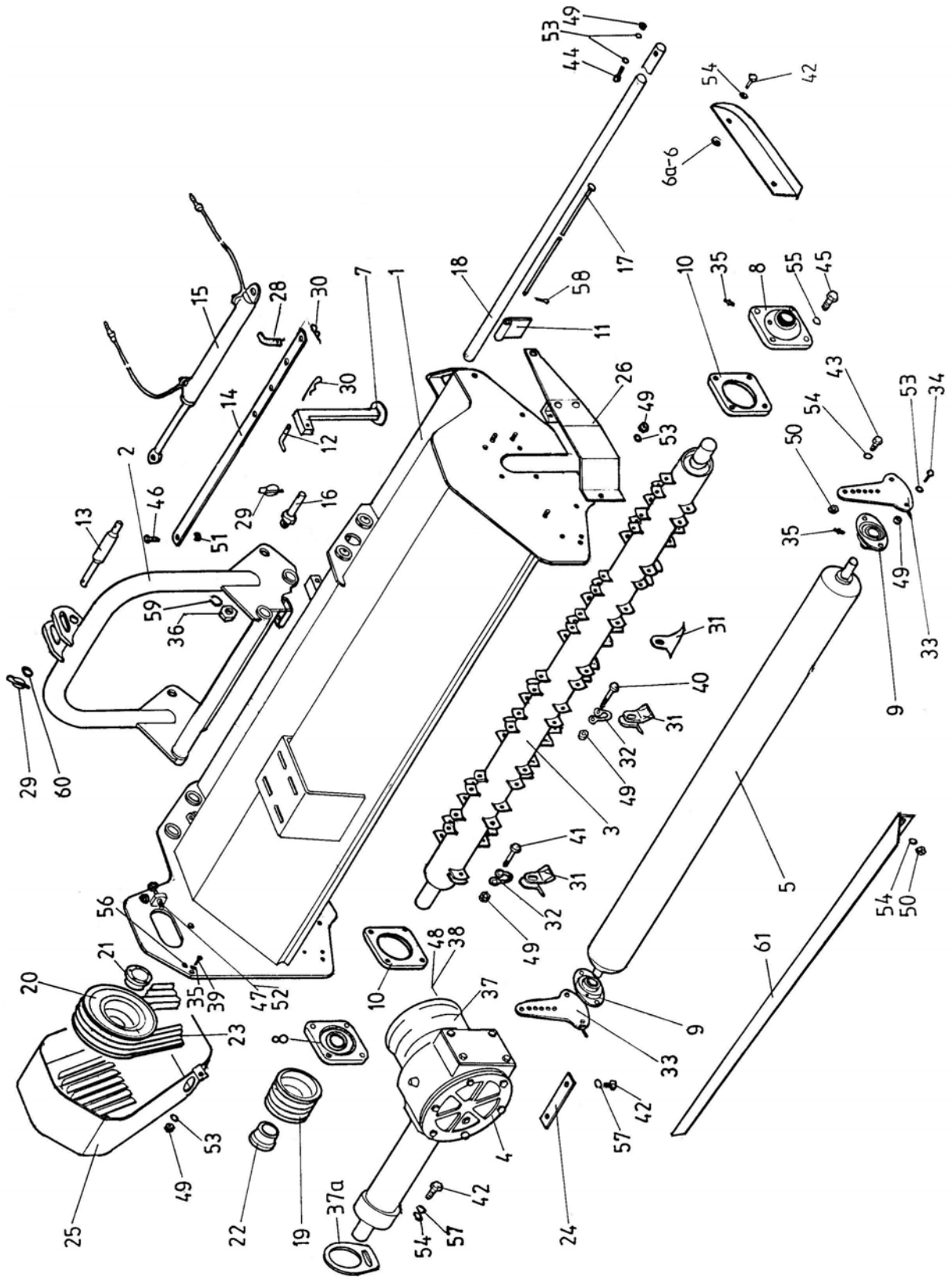
Connecting bow cpl./2001

| Ref. | Description | | Qty. |
|-------------|-------------------------|---------|-------------|
| 1 | Bow - right | 1061028 | 1 |
| 2 | Bow - left | 1061029 | 1 |
| 3 | Connecting part | 1061030 | 1 |
| 5 | Bolt 12/35 | 1061091 | 4 |
| 6 | Locknut 12 | 9143006 | 4 |
| 7 | Washer 12 | 9100106 | 14 |
| 8 | Spring washer 12 | 9100206 | 6 |
| 9 | Locknut 12 | 9143006 | 6 |
| 10 | Washer 12 | 9100106 | 6 |
| 11 | Bolt 12/30 | 9213066 | 6 |
| 12 | Pivot pin connect.19/25 | 1061031 | 1 |



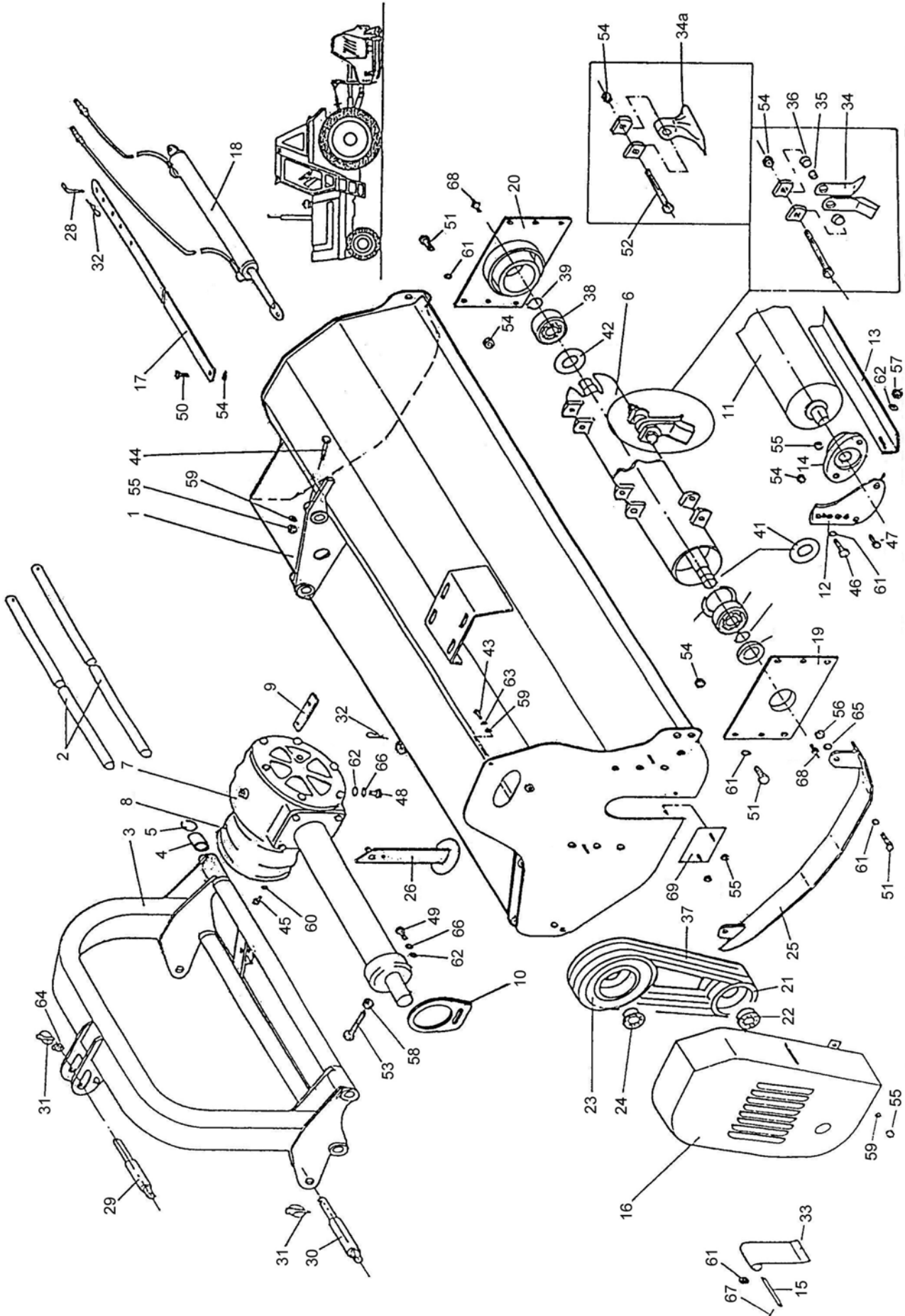

Magnum 170 Parts List

| Ref. | Description | Part No. | Qty. |
|-------------|-------------------------------|-----------------|-------------|
| 1 | Frame - 170 R/H Build | 1061052 | 1 |
| | Frame - 170 L/H Build | 1061089 | 1 |
| 2 | Connecting Bow | 1061053 | 1 |
| 3 | Rotor | 1061054 | 1 |
| 4 | Gearbox - R/H Machines | 1061055 | 1 |
| | Gearbox - L/H Machines | 1061085 | 1 |
| 5 | Rear Roller | 1061056 | 1 |
| 6 | Skid - R/H | 1061058 | 1 |
| 6a | Skid - L/H | 1061057 | 1 |
| 8 | Bearing c/w Casing 16209 | 1061059 | 2 |
| 9 | Bearing c/w Casing 16205 | 1061025 | 2 |
| 10 | Bearing Support Plate | 1061060 | 2 |
| 11 | Flap (140) | 1061061 | 11 |
| 12 | Pin | 1061083 | 1 |
| 13 | Pivot Pin | 1061031 | 1 |
| 14 | Blocking Rod - Mechanical | 1061062 | 1 |
| 15 | Hydraulic Cylinder cpl. | 1061063 | 1 |
| 16 | Pivot Pin | 1061064 | 2 |
| 17 | Flap Rod 170 | 1061065 | 1 |
| 18 | Guide | 1061066 | 2 |
| 19 | Pulley - 130/3 | 1061162 | 1 |
| 20 | Pulley - 180/3 | 1061164 | 1 |
| 21 | Clutch Elve 80/40 | 1061165 | 1 |
| 22 | Clutch Elve 80/45 | 1061163 | 1 |
| 23 | Belt | 1061069 | 3 |
| 24 | Support Plate | 1061070 | 2 |
| 25 | Belt Shield - R/H Machines | 1061071 | 1 |
| | Belt Shield - L/H Machines | 1061084 | 1 |
| 26 | Side Protection | 1061072 | 1 |
| 28 | Pin | 1061082 | 1 |
| 29 | Safety Pin | 1061097 | 3 |
| 30 | Safety Pin | 1061076 | 2 |
| 31 | Y-Blade | 1061050 | 72 |
| | Fine Cut Blade (Scoop Hammer) | 1061073 | 36 |
| 32 | Shackle | 1061074 | 36 |
| 33 | Roller Bracket - R/H | 1061086 | 1 |
| | Roller Bracket - L/H | 1061075 | 1 |



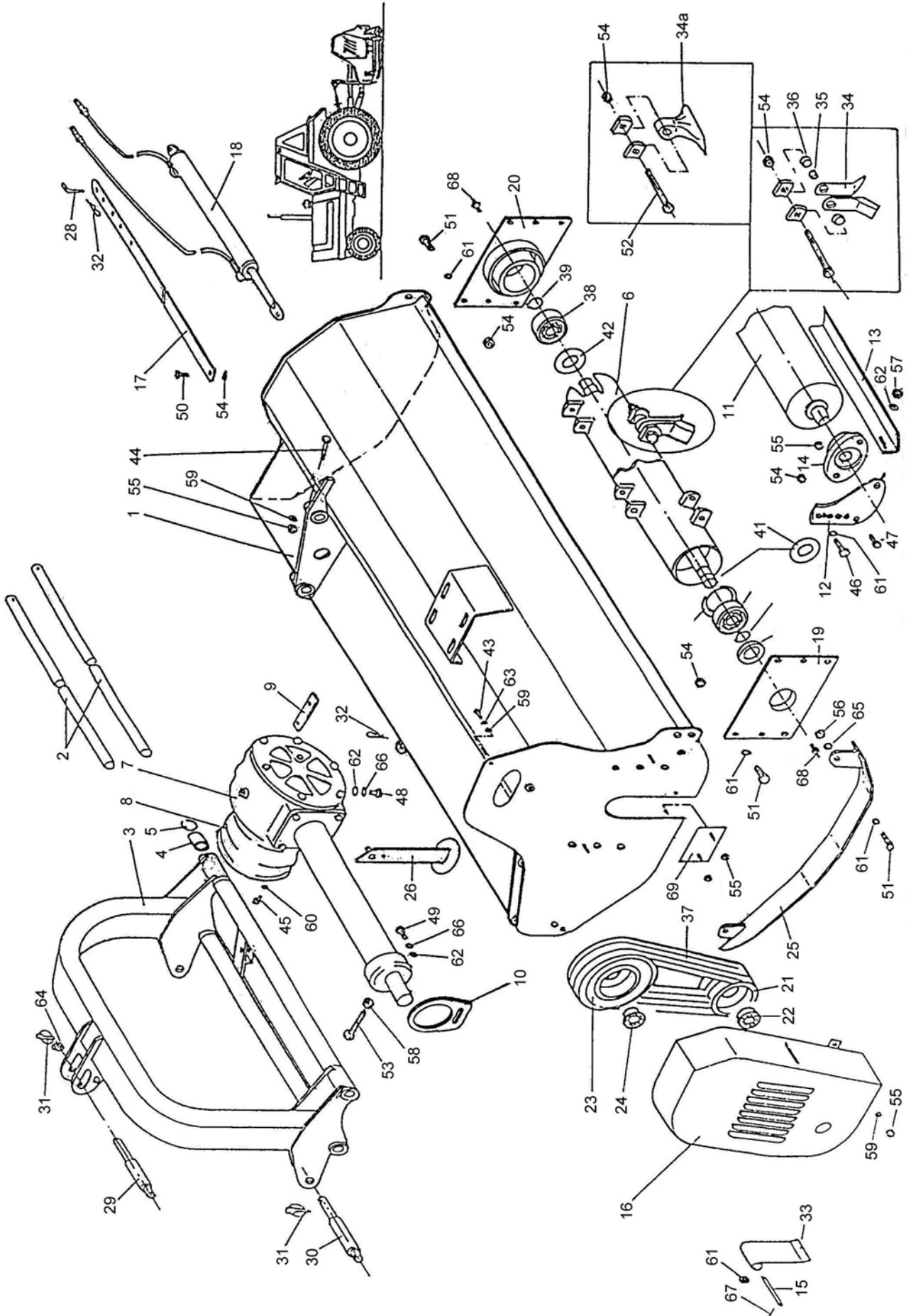

Magnum 170 Parts List

| Ref. | Description | Part No. | Qty. |
|-------------|--------------------------|-----------------|-------------|
| 34 | Bolt M10 | 9213075 | 4 |
| 35 | Grease Nipple - Straight | 0901161 | 3 |
| | Grease Nipple - 90° | 05.953.05 | 1 |
| 36 | Nut | 9117009 | 2 |
| 37 | PTO Guard | 1061105 | 1 |
| 37a | Gearbox Flange | 1061087 | 1 |
| 38 | Bolt | 1061090 | 4 |
| 39 | Bolt | 9213065 | 1 |
| 40 | Bolt | 1061080 | 32 |
| 41 | Bolt | 1061081 | 4 |
| 42 | Bolt | 9213066 | 9 |
| 43 | Bolt | 1061091 | 4 |
| 44 | Bolt | 9213135 | 2 |
| 45 | Bolt | 1061092 | 8 |
| 46 | Bolt | 1061093 | 1 |
| 47 | Bolt | 9213167 | 1 |
| 38 | Washer | 9100104 | 4 |
| 49 | Locknut | 9143005 | 47 |
| 50 | Locknut | 9143006 | 4 |
| 51 | Locknut | 1061094 | 1 |
| 52 | Nut | 9113007 | 1 |
| 53 | Washer | 9100105 | 13 |
| 54 | Washer | 9100106 | 9 |
| 55 | Spring Washer | 05.282.08 | 8 |
| 56 | Spring Washer | 9100205 | 1 |
| 57 | Spring Washer | 9100206 | 5 |
| 58 | Split Pin | 1061095 | 1 |
| 59 | Spring Washer | 1061096 | 2 |
| 60 | Washer | 9100108 | 1 |



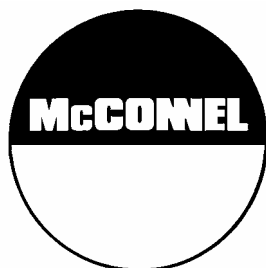

Magnum 190 & 225 Parts List

| Ref. | Description | Part No. | 190 | 225 |
|-------------|----------------------------|-----------------|------------|------------|
| 1 | Frame 190 - R/H Build | 1061178 | 1 | - |
| | Frame 190 - L/H Build | 1061136 | 1 | - |
| | Frame 225 - R/H Build | 1061103 | - | 1 |
| | Frame 225 - L/H Build | 1061137 | - | 1 |
| 2 | Guide - 190 | 1061179 | 2 | - |
| | Guide - 225 | 1061102 | - | 2 |
| 3 | Connecting bow | 1061150 | 1 | 1 |
| 4 | Guide Bushing | 1061138 | 4 | 4 |
| 5 | Spring Ring | 1061139 | 4 | 4 |
| 6 | Rotor 190 | 1061151 | 1 | - |
| | Rotor 225 | 1061037 | - | 1 |
| 7 | Gearbox 190 - R/H Machines | 1061152 | 1 | - |
| | Gearbox 190 - L/H Machines | 1061140 | 1 | - |
| | Gearbox 225 - R/H Machines | 1061104 | - | 1 |
| | Gearbox 225 - L/H Machines | 1061141 | - | 1 |
| 8 | PTO Guard | 1061105 | 1 | 1 |
| 9 | Underlay plate | 1061070 | 2 | 2 |
| 10 | Gearbox Flange | 1061142 | 1 | 1 |
| 11 | Rear Roller - 190 | 1061153 | 1 | - |
| | Rear Roller - 225 | 1061107 | - | 1 |
| 12 | Roller Bracket - L/H | 1061143 | 1 | 1 |
| | Roller Bracket - R/H | 1061155 | 1 | 1 |
| 13 | Scraper - 190 | 1061156 | 1 | - |
| | Scraper - 225 | 1061108 | - | 1 |
| 14 | Bearing with Casing | 1061157 | 2 | 2 |
| 15 | Flap Rod 190 | 1061158 | 1 | - |
| | Flap Rod 225 | 1061109 | - | 1 |
| 16 | Belt Shield - R/H Machines | 1061110 | 1 | 1 |
| | Belt Shield - L/H Machines | 1061133 | 1 | 1 |
| 17 | Blocking Rod - Mechanical | 1061111 | 1 | 1 |
| 18 | Blocking Rod - Hydraulic | 1061112 | 1 | 1 |
| 19 | Bearing Casing - Left | 1061160 | 1 | 1 |
| 20 | Bearing Casing - Right | 1061161 | 1 | 1 |
| 21 | Pulley (130/4) | 1061113 | 1 | 1 |
| 22 | Elve Rotor Clutch | 1061163 | 1 | 1 |
| 23 | Pulley (180) | 1061114 | 1 | 1 |
| 24 | Elve Drive Clutch | 1061067 | 1 | 1 |
| 25 | Skid - L/H | 1061166 | 1 | 1 |
| | Skid - R/H | 1061167 | 1 | 1 |
| 26 | Support | 1061134 | 1 | 1 |
| 27 | Washer | 1061120 | 1 | 1 |
| 28 | Safety Pin | 1061082 | 1 | 1 |
| 29 | Pivot Pin 19/25 | 1061031 | 1 | 1 |
| 30 | Pivot Pin 22/28 | 1061169 | 2 | 2 |




Magnum 190 & 225 Parts List

| Ref. | Description | Part No. | 190 | 225 |
|------|---------------------|-----------|-----|-----|
| 31 | Spring Pin | 1061135 | 3 | 3 |
| 32 | Safety Pin R3 | 1061076 | 2 | 2 |
| 33 | Flap 70 | 1061170 | 1 | - |
| | Flap 130 | 1061098 | - | 2 |
| | Flap 140 | 1061171 | 13 | 16 |
| 34 | Y-blade | 1061034 | 48 | 56 |
| 34a | Hammer blade | 1061100 | 24 | 28 |
| 35 | Y-blade sleeve | 1061035 | 24 | 28 |
| 36 | Y-distant sleeve | 1061036 | 96 | 112 |
| 37 | Belt XPB 1250 | 1061069 | 4 | 4 |
| 38 | Bearing 1309 | 1061173 | 2 | 2 |
| 39 | Slide pc 45 - ext. | 1061174 | 2 | 2 |
| 40 | Slide pc 100 - int. | 1061175 | 1 | 1 |
| 41 | Bearing Casing 1 | 1061176 | 1 | 1 |
| 42 | Bearing Casing 2 | 1061177 | 1 | 1 |
| 43 | Bolt 10/30 | 9213065 | 1 | 1 |
| 44 | Bolt 10/65 | 9213135 | 2 | 2 |
| 45 | Bolt 8/15 | 1061090 | 4 | 4 |
| 46 | Bolt 14/40 | 1061092 | 4 | 4 |
| 47 | Bolt 10/35 | 9213075 | 4 | 4 |
| 48 | Bolt 12/30 | 9213066 | 4 | 4 |
| 49 | Bolt 12/35 | 1061091 | 1 | 1 |
| 50 | Bolt 14/50 | 1061093 | 1 | 1 |
| 51 | Bolt 14/35 | 1061099 | 16 | 16 |
| 52 | Bolt 14/80 | 1061132 | 24 | 28 |
| 53 | Bolt 16/80 | 9213167 | 1 | 1 |
| 54 | Locknut 14 | 1061094 | 41 | 45 |
| 55 | Locknut 10 | 9143005 | 10 | 10 |
| 56 | Nut 14 | 1061121 | 4 | 4 |
| 57 | Locknut 12 | 9143006 | 2 | 2 |
| 58 | Nut 16 | 9113007 | 1 | 1 |
| 59 | Flat Washer 10 | 9100105 | 7 | 7 |
| 60 | Flat Washer 8 | 9100104 | 4 | 4 |
| 61 | Flat Washer 14 | 05.281.14 | 21 | 21 |
| 62 | Flat Washer 12 | 9100106 | 9 | 9 |
| 63 | Spring Washer 10 | 9100205 | 1 | 1 |
| 64 | Flat Washer 20 | 9100108 | 1 | 1 |
| 65 | Spring Washer 14 | 05.282.08 | 4 | 4 |
| 66 | Spring Washer 12 | 9100206 | 5 | 5 |
| 67 | Split Pin | 1061077 | 1 | 1 |
| 68 | Grease Nipple | 1061079 | 2 | 2 |
| 69 | Closing Plate | 1061144 | 1 | 1 |



McConnel Limited, Temeside Works, Ludlow, Shropshire SY8 1JL. England.
Telephone: 01584 873131. Facsimile: 01584 876463. www.mcconnel.com