



HOLDER

Triple Mower Mk2

(WGC 7740901)

Parts Manual

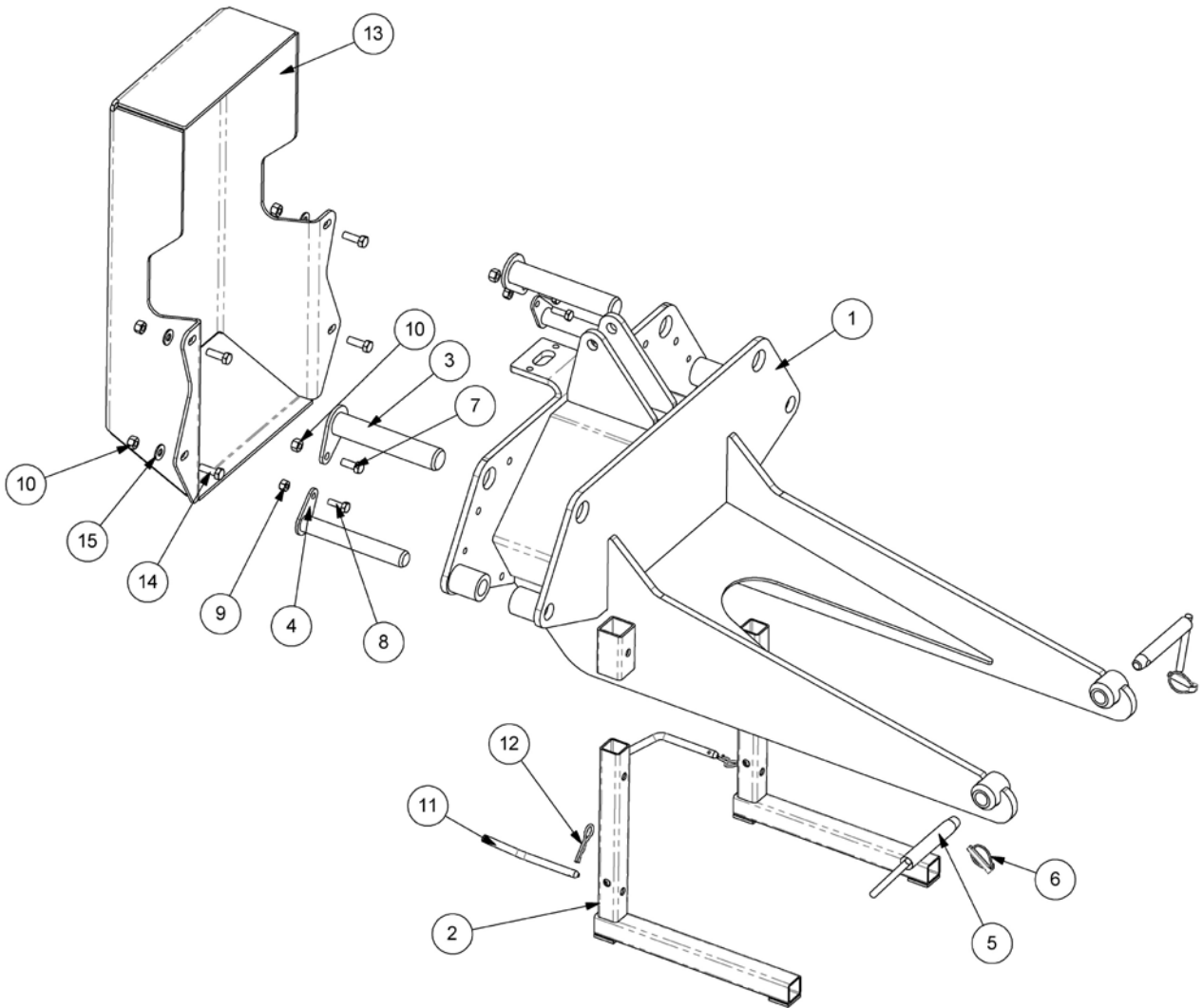
LIST OF CONTENTS

Mainframe Assembly	1
LH Lift Arm Assembly	2
RH Lift Arm Assembly	3
LH Carrier Arm Assembly	4
RH Carrier Arm Assembly	5
Front Flail Head Assembly	6
LH & RH Flail Head Assemblies	10
Hose Kit	12
Hydraulic Module	13
Lift Ram Assembly	14
Fold Ram Assembly	15
ACV Assembly	16
RCV Assembly	18
Flow Diverter Assembly	19
Lift Float Kit	20

MAINFRAME ASSEMBLY

McCONNEL

Module(s): 7740700

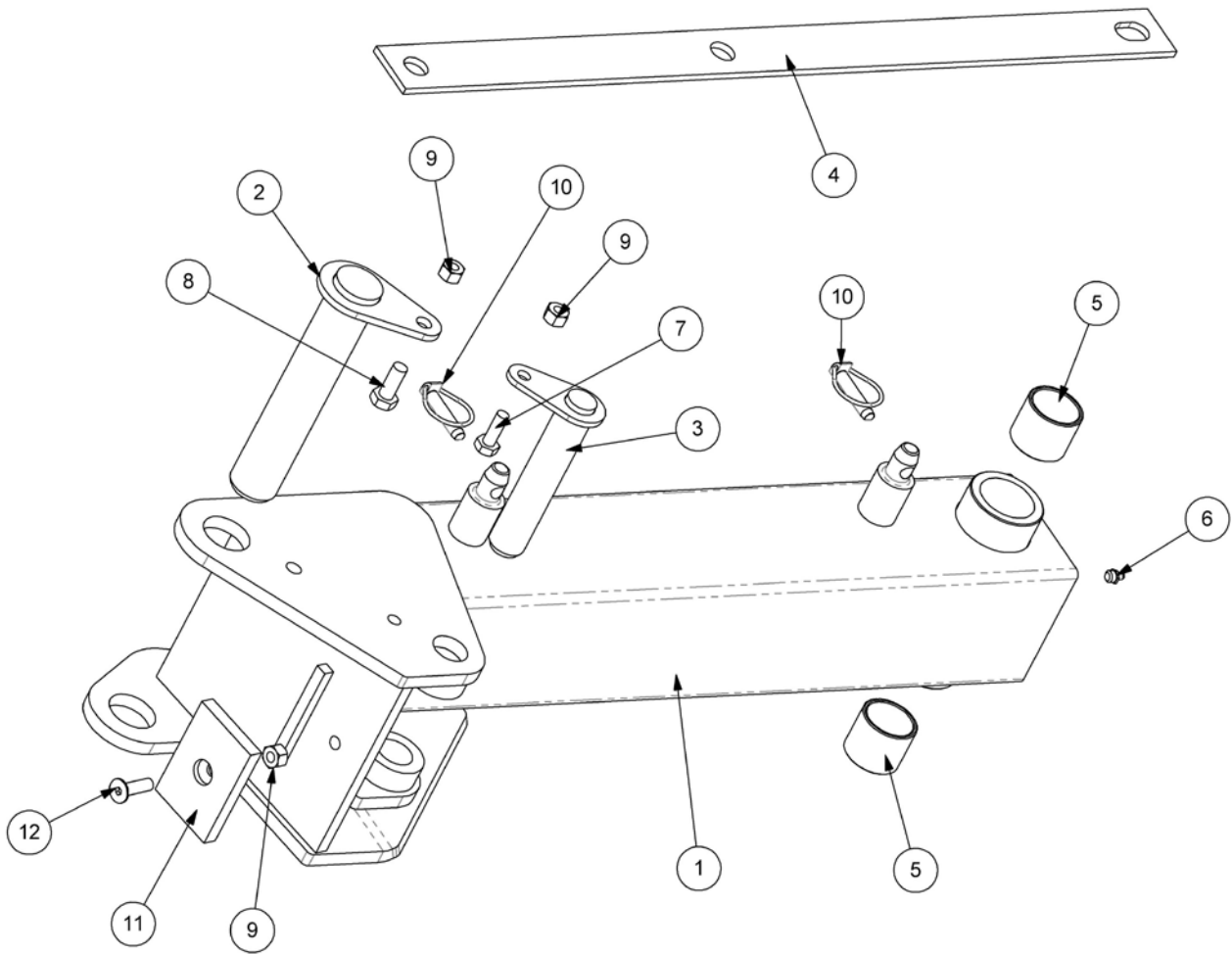


REF.	QTY.	PART No.	DESCRIPTION
		7740700	MAINFRAME ASSEMBLY
1	1	45717.01	MOUNTING FRAME
2	2	45737.01	STAND LEG
3	2	45738.01	PIVOT PIN
4	2	45740.04	PIN
5	2	45757.01	HITCH PIN
6	2	0431217	LINCH PIN
7	2	9313066	SETSCREW
8	2	9313065	SETSCREW
9	2	9163005	NYLOC NUT
10	6	9163006	NYLOC NUT
11	2	45297.01	LEG PIN
12	2	0431105	SPRING COTTER
13	1	21137.01	VALVE COVER
14	4	9313076	SETSCREW
15	4	9100106	FLAT WASHER

LH LIFT ARM ASSEMBLY

McCONNEL

Module(s): 7740701

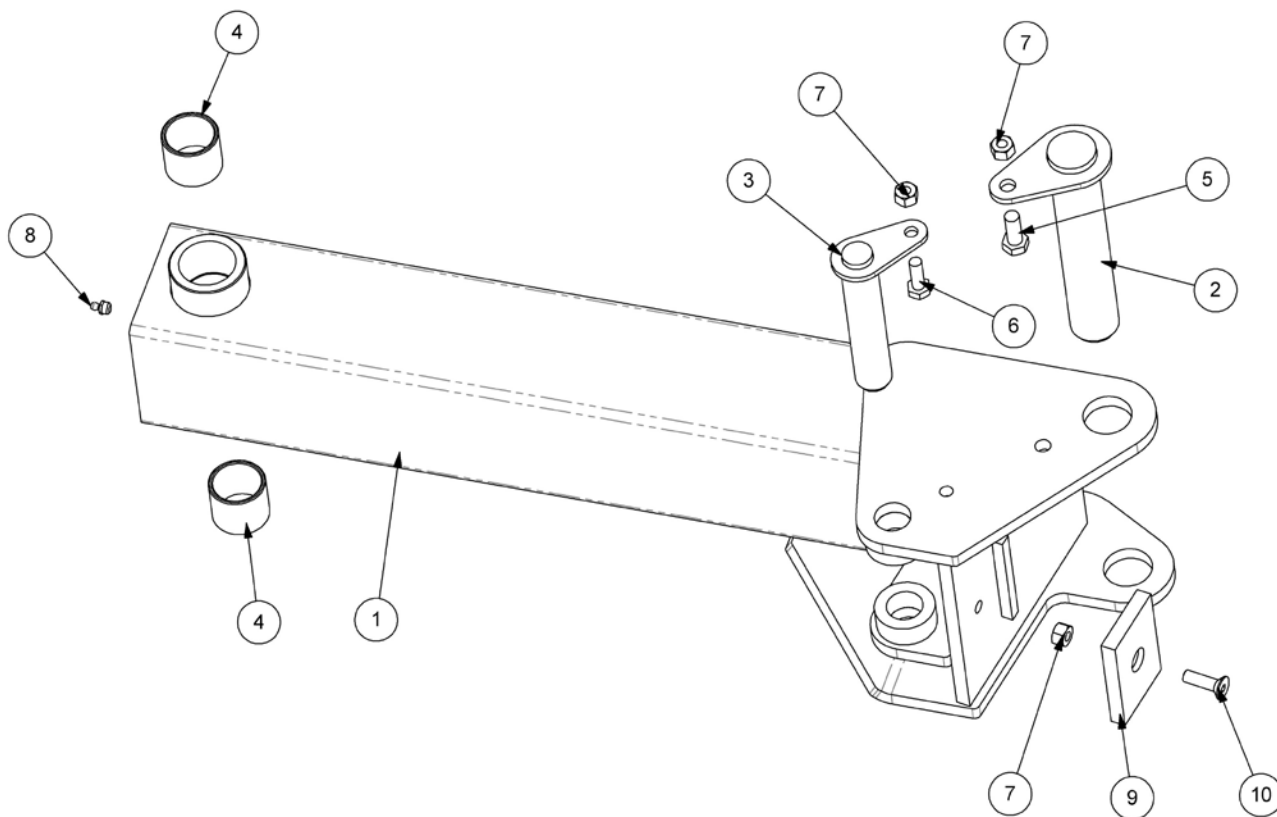


REF.	QTY.	PART No.	DESCRIPTION
		7740701	LH LIFT ARM ASSEMBLY
1	1	45718.01	LH LIFT ARM
2	1	45738.01	PIVOT PIN
3	1	45740.01	PIN
4	1	45741.01	TRANSPORT STRAP
5	2	08.297.02	BUSH
6	1	0901121	GREASE NIPPLE
7	1	9313065	SETSCREW
8	1	9313066	SETSCREW
9	3	9163005	NYLOC NUT
10	2	0431217	LINCH PIN
11	1	7136001	DIPPER WEAR STRIP
12	1	9353075	SOCKET CAPSCREW

RH LIFT ARM ASSEMBLY

McCONNEL

Module(s): 7740702

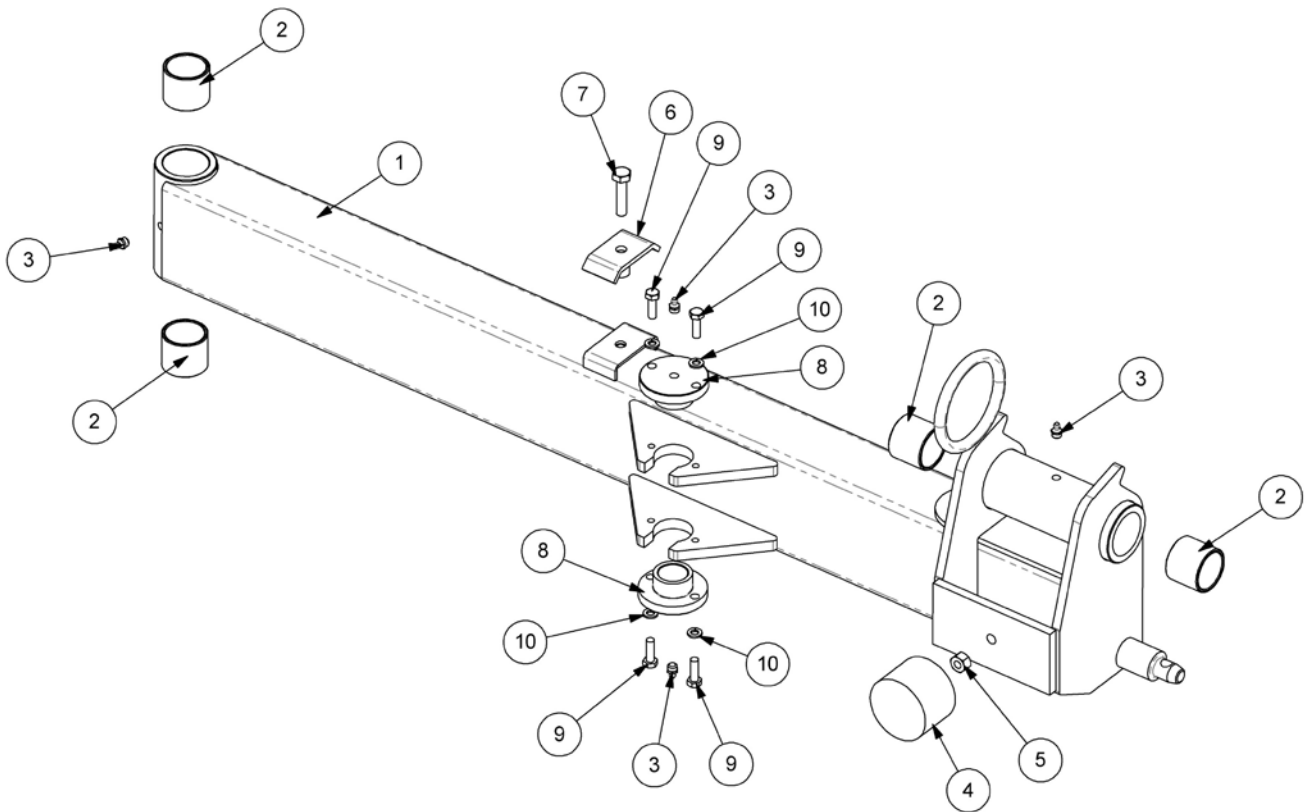


REF.	QTY.	PART No.	DESCRIPTION
		7740702	RH LIFT ARM ASSEMBLY
1	1	45718.02	RH LIFT ARM
2	1	45738.01	PIVOT PIN
3	1	45740.01	PIN
4	2	08.297.02	BUSH
5	1	9313066	SETSCREW
6	1	9313065	SETSCREW
7	3	9163005	NYLOC NUT
8	1	0901121	GREASE NIPPLE
9	1	7136001	DIPPER WEAR STRIP
10	1	9353075	SOCKET CAPSCREW

LH CARRIER ARM ASSEMBLY

McCONNEL

Module(s): 7740706

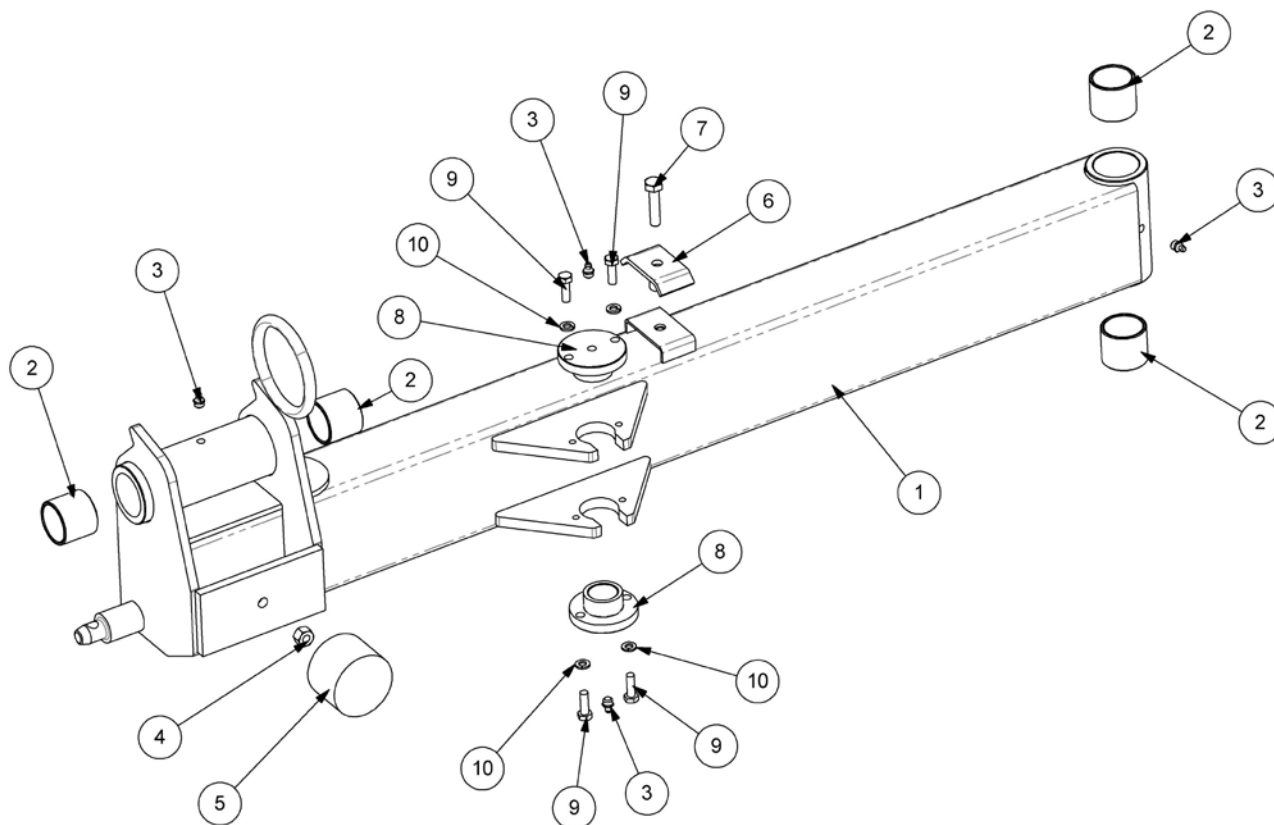


REF.	QTY.	PART No.	DESCRIPTION
		7740706	LH CARRIER ARM ASSEMBLY
1	1	45719.03	LH CARRIER ARM
2	4	08.297.02	BUSH
3	4	0901121	GREASE NIPPLE
4	1	1337114	RUBBER BUFFER ASSEMBLY
5	1	9163005	NYLOC NUT
6	1	7191096	HOSE CLAMP
7	1	9213095	BOLT
8	2	21256.01	TRUNNION BUSH
9	4	9313054	SETSCREW
10	4	9100204	SPRING WASHER

RH CARRIER ARM ASSEMBLY

McCONNEL

Module(s): 7740707

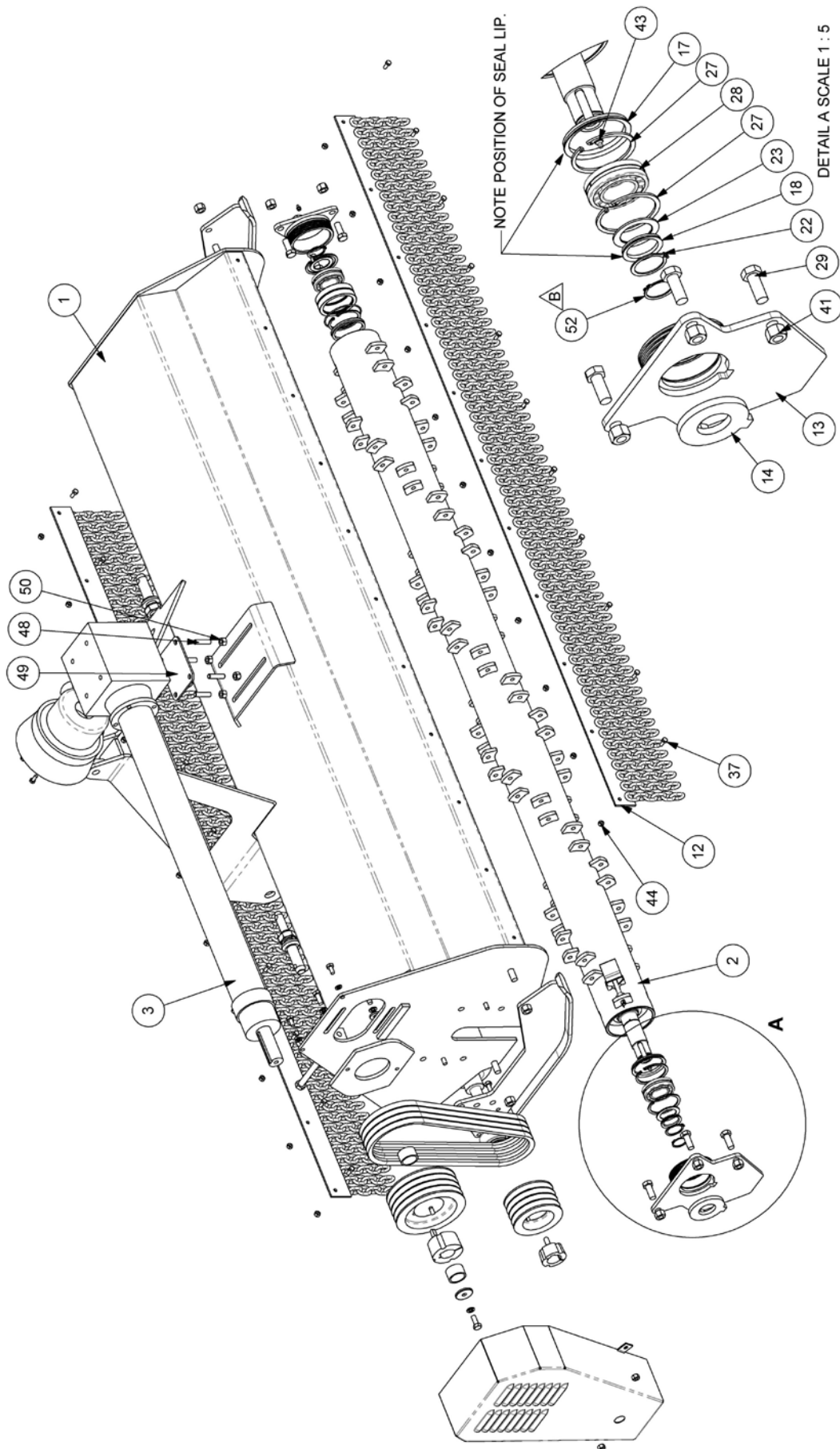


REF.	QTY.	PART No.	DESCRIPTION
		7740707	RH CARRIER ARM ASSEMBLY
1	1	45719.04	RH CARRIER ARM
2	4	08.297.02	BUSH
3	4	0901121	GREASE NIPPLE
4	1	9163005	NYLOC NUT
5	1	1337114	RUBBER BUFFER ASSEMBLY
6	1	7191096	HOSE CLAMP
7	1	9213095	BOLT
8	2	21256.01	TRUNNION BUSH
9	4	9313054	SETSCREW
10	4	9100204	SPRING WASHER

FRONT FLAIL HEAD ASSEMBLY

Module(s): 7740802

McCONEL



FRONT FLAIL HEAD ASSEMBLY

McCONNEL

Module(s): 7740802

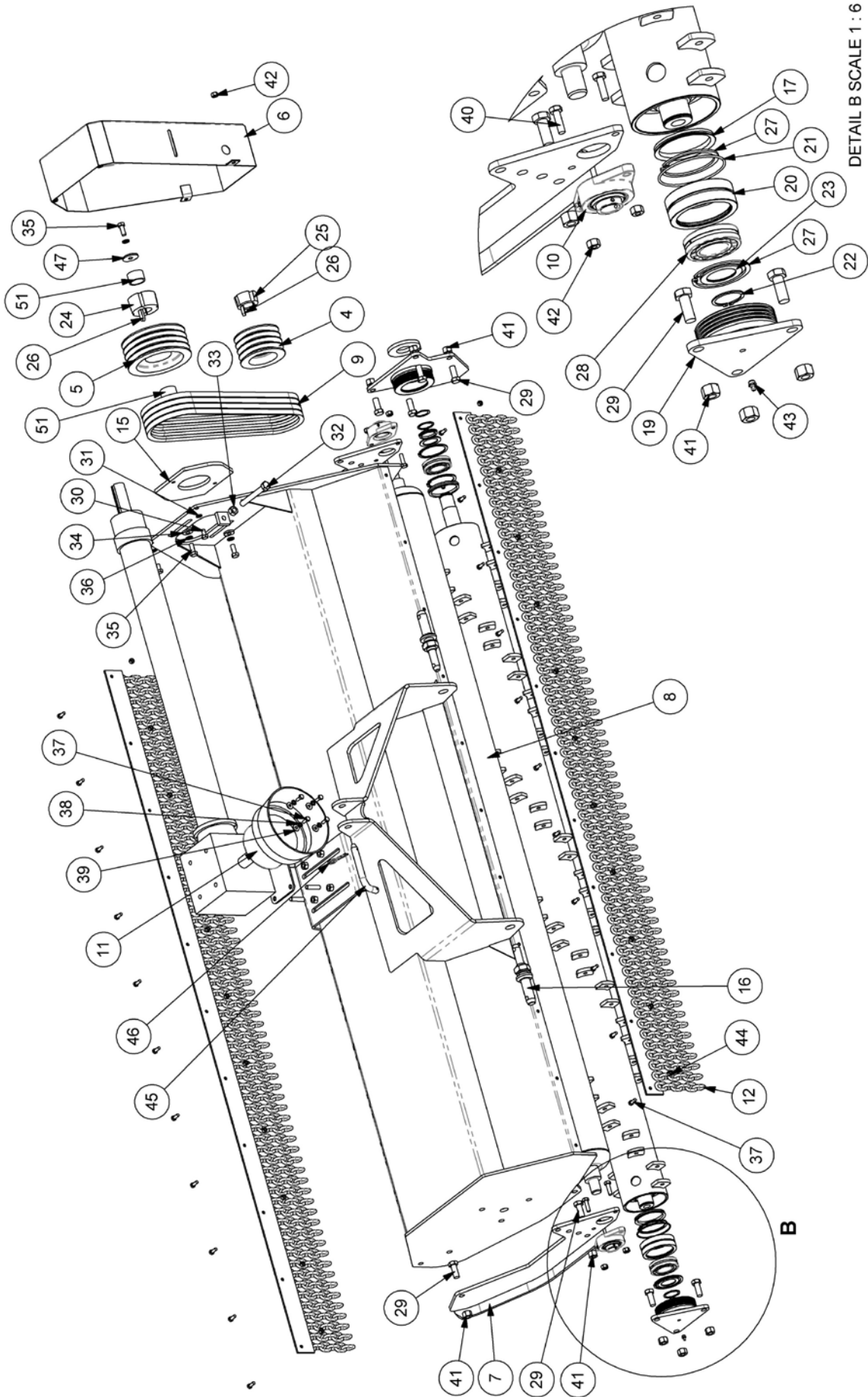
REF.	QTY.	PART No.	DESCRIPTION
		7740802	2.2M FRONT FLAIL HEAD ASSEMBLY
1	1	21229.01	CASING
2	1	21249.01	ROTOR
3	1	21253.01	GEARBOX & EXTENSION
4	1	21232.02	PULLEY (Ø132)
5	1	21231.02	PULLEY (Ø190)
6	1	21234.01	BELT COVER
7	2	21237.01	SKID
8	1	21235.01	ROLLER
9	4	21233.01	WEDGE BELT
10	2	46092.01	FLANGE BEARING UNIT
11	1	21238.01	COUNTER CONE
12	2	21239.01	CHAIN CURTAIN
13	1	21240.01	BEARING HOUSING
14	1	21241.01	SEAL RING
15	1	21242.01	TENSIONER RING
16	2	21039.03	LINKAGE PIN - CAT 1 & 2
17	2	8629237	V-SEAL
18	1	8629238	V-SEAL
19	1	21250.01	BEARING HOUSING - FREE END
20	1	21251.01	BEARING SLEEVE
21	1	8700745	O RING
22	2	0401245	EXTERNAL CIRCLIP
23	2	21248.01	SPACER WASHER
24	1	7290016	TAPER-LOCK BUSH
25	1	05.424.22	TAPER-LOCK BUSH
26	2	7290017	KEY
27	4	0411285	INTERNAL CIRCLIP
28	2	04.163.04	ROLLER BEARING
29	11	9313087	SETSCREW
30	2	9313045	SETSCREW
31	2	9100205	SPRING WASHER
32	1	9313247	SETSCREW
33	1	9113007	NUT
34	2	21252.01	CLAMP WASHER
35	3	9313066	SETSCREW
36	3	9100206	SPRING WASHER
37	26	9313044	SETSCREW
38	4	9100204	SPRING WASHER
39	4	9100104	FLAT WASHER M8

Continued ...

FRONT FLAIL HEAD ASSEMBLY

Module(s): 7740802

McCONEL



DETAIL B SCALE 1 : 6

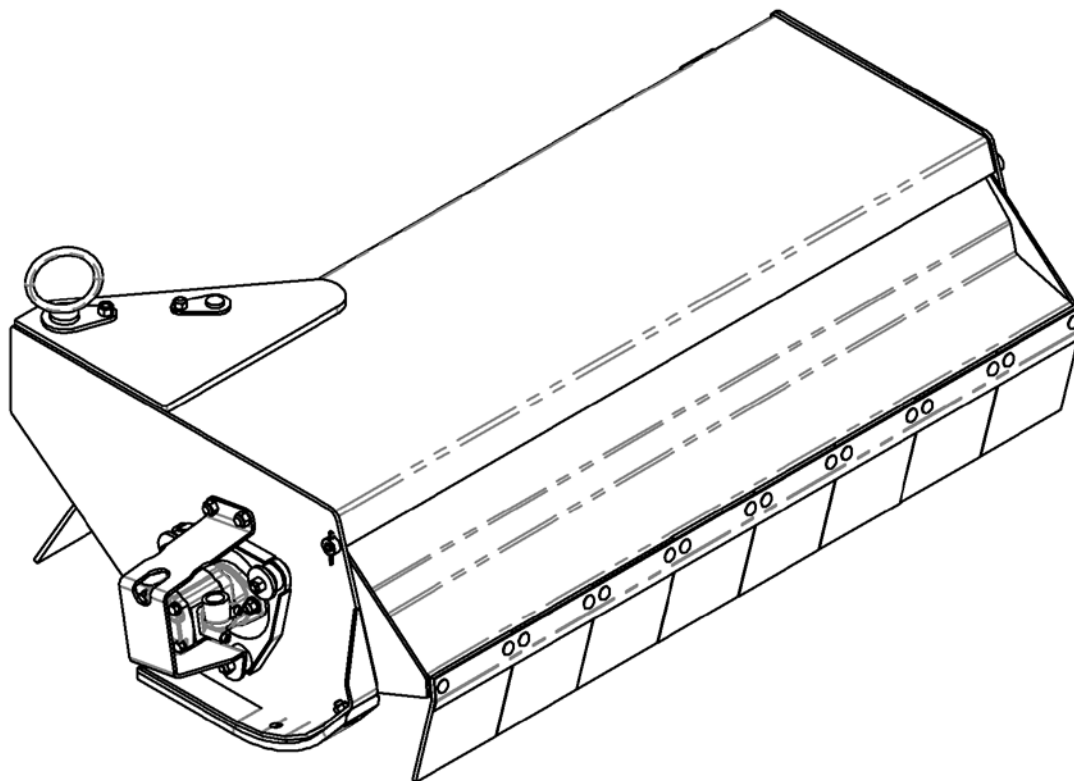
FRONT FLAIL HEAD ASSEMBLY (Continued)

McCONNEL

Module(s): 7740802

REF.	QTY.	PART No.	DESCRIPTION
		7740802	2.2M FRONT FLAIL HEAD ASSEMBLY
40	4	9313075	SETSCREW
41	11	9163007	NYLOC NUT
42	6	9163005	NYLOC NUT
43	2	0901121	GREASE NIPPLE
44	22	9163004	NYLOC NUT
45	1	7192026	TOP LINK PIN
46	1	0431105	SPRING COTTER
47	1	21265.01	WASHER
48	4	21338.01	STUD
49	1	21324.01	CLAMP PLATE
50	4	9163006	NYLOC NUT
51	2	21264.01	SPACER
52	1	0401240	EXTERNAL CIRCLIP

Module(s): 7740800, 7740801



REF.	QTY.	PART No.	DESCRIPTION
		7740800	2.2M FLAIL HEAD ASSEMBLY - L/H
		7740801	2.2M FLAIL HEAD ASSEMBLY - R/H
1	1	45716.01	LH HEAD CASING - <i>Assembly 7740800</i>
	1	45716.02	RH HEAD CASING - <i>Assembly 7740801</i>
2	1	45727.01	1.2M ROTOR
3	1	45744.01	DRIVE FLANGE
4	1	09.132.01	MOTOR MOUNTING PLATE
5	1	03.008.01	FLANGE BEARING
6	1	42496.01	BEARING COVER
7	1	45732.01	FRONT HOOD
8	1	41288.01	MOTOR COVER
9	1	7191361	REAR FLAP
10	1	7191362	CLAMP STRIP
11	8	45753.01	FRONT FLAP
12	1	7190304	CLAMP STRIP
13	1	22808.01	1.2M ROLLER ASSEMBLY
14	2	7290391	REPLACEABLE SKID SHOE

LH & RH FLAIL HEAD ASSEMBLIES

McCONNEL

Module(s): 7740800, 7740801

REF.	QTY.	PART No.	DESCRIPTION
		7740800	2.2M FLAIL HEAD ASSEMBLY - L/H
		7740801	2.2M FLAIL HEAD ASSEMBLY - R/H
15	24	102670	SHACKLE PIN
16	24	7190086	SHACKLE
17	48	100759	KNIFE
18	24	9501255	SPLIT PIN
19	3	03.871.01	RUBBER BUSH
20	1	7191116	HOOD PIVOT PIN
21	4	0211146	UNF BOLT
22	4	0141006	UNF CLEVELOC NUT
23	2	0311085	UNF SCREW
24	2	0141005	UNF CLEVELOC NUT
25	1	45740.02	PIN
26	1	45739.01	PIVOT PIN
27	1	9313065	SETSCREW
28	13	9163005	NYLOC NUT
29	1	9313066	SETSCREW
30	12	9163006	NYLOC NUT
31	2	04.282.56	STUD
32	12	9313055	SETSCREW
33	4	9313075	SETSCREW
34	1	9501406	SPLIT PIN
35	2	02.824.01	WASHER
36	3	9213136	BOLT
37	16	9293054	CUP HEAD SCREW
38	16	9163004	NYLOC NUT
39	2	9313056	SETSCREW
40	6	6012034	PLOUGH BOLT c/w NUT
41	1	08.785.05	MOTOR ASSEMBLY
42	2	9100105	FLAT WASHER
43	6	0100104	FLAT WASHER
44	6	0142004	UNC BINKS NUT
45	1	03.960.02	UNF STUD
46	1	03.959.02	WASHER
47	1	0141000	UNF CLEVELOC NUT

HOSE KIT**McCONNEL**

Module(s): 77407221

REF.	QTY.	PART No.	DESCRIPTION
		77407221	HOSE KIT
1	2	10.010.53	HOSE - 3/4" BSP FS/F90 x 4300mm
2	4	10.008.06	HOSE - 5/8" BSP FS/F90 x 300mm
3	4	8501296	HOSE - 5/8" BSP FS/F135 x 2900mm
4	1	10.010.16	HOSE - 3/4" BSP ST/90 SWEPT x 800mm
5	1	10.006.16	HOSE - 1/2" BSP ST/90 x 800mm
6	1	10.004.16	HOSE - 3/8" BSP FS/F90 x 800mm
7	2	10.002.34	HOSE - 1/4" BSP ST/90 x 2400mm
8	4	10.002.32	HOSE - 1/4" BSP FS/F90 x 2200mm
9	2	10.002.36	HOSE - 1/4" BSP ST/90 x 2600mm
10	1	10.002.06	HOSE - 1/4" BSP FS/F90 x 300mm
11	1	10.002.21	HOSE - 1/4" BSP ST/90 x 1100mm

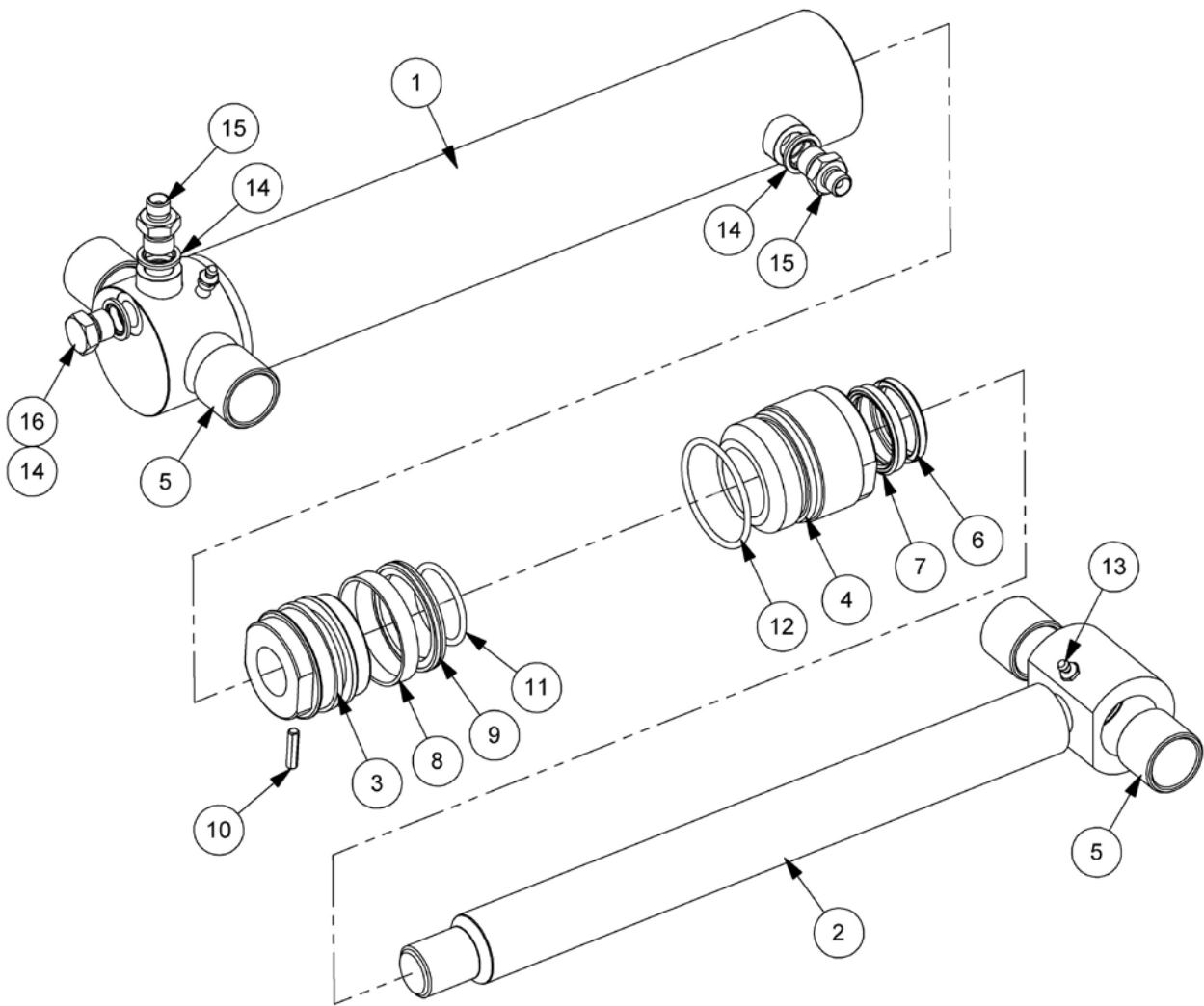
Module(s): 7740705

REF.	QTY.	PART No.	DESCRIPTION
		7740705	HYDRAULIC MODULE
1	1	41845.05	SWITCH BOX
2	1	8402345	SWITCH BOX MOUNTING BRACKET
3	4	2800243	SCREW
4	1	43177.26	LOOM - ROTOR CONTROL
5	1	EYT0167	ADAPTOR
6	1	T5342	ADAPTOR
7	2	8581431	ADAPTOR
8	2	8581136	ADAPTOR
9	1	8581254	ADAPTOR
10	6	8581190	ADAPTOR
11	2	8590186	OUTER COUPLING
12	2	8591186	DUST PLUG
13	2	8650106	BONDED SEAL
14	1	8581248	EXTENSION UNION
15	2	8590074	QUICK RELEASE
16	2	8650104	BONDED SEAL
17	1	8581110	ADAPTOR
18	1	6000112	ADAPTOR
19	1	04.056.25	ADAPTOR
20	2	43317.04	LIFT RAM ASSEMBLY
21	2	43317.06	FOLD RAM ASSEMBLY
22	2	8126290	LIFT FLOAT KIT

LIFT RAM ASSEMBLY

McCONNEL

Module(s): 43317.04

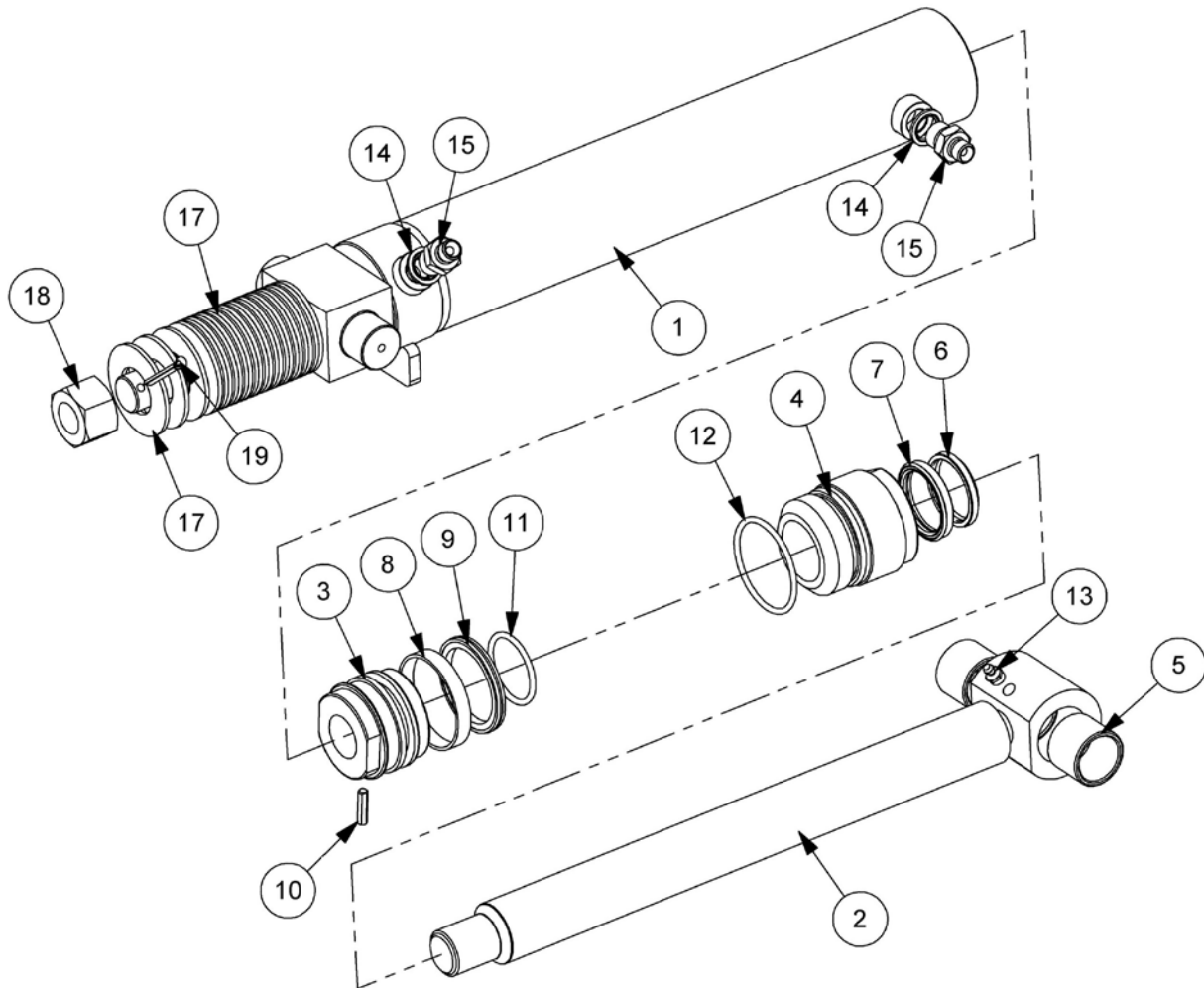


REF.	QTY.	PART No.	DESCRIPTION
		43317.06	FOLD RAM ASSEMBLY
1	1	43317.49	RAM BARREL
2	1	43317.47	PISTON ROD
3	1	43317.31	PISTON
4	1	43317.32	GLAND HOUSING
5	4	08.297.04	BUSH
6	1	8629208	SCRAPER RING
7	1	8629225	GLAND SEAL
8	1	8629157	GUIDE RING
9	1	8629156	PISTON SEAL
10	1	42775.01	DOWEL
11	1	8600301	O RING
12	1	8600306	O RING
13	2	0901121	GREASE NIPPLE
14	3	8650103	BONDED SEAL
15	2	8581115	ADAPTOR
16	1	8003001	ADAPTOR PLUG

FOLD RAM ASSEMBLY

McCONNEL

Module(s): 43317.06

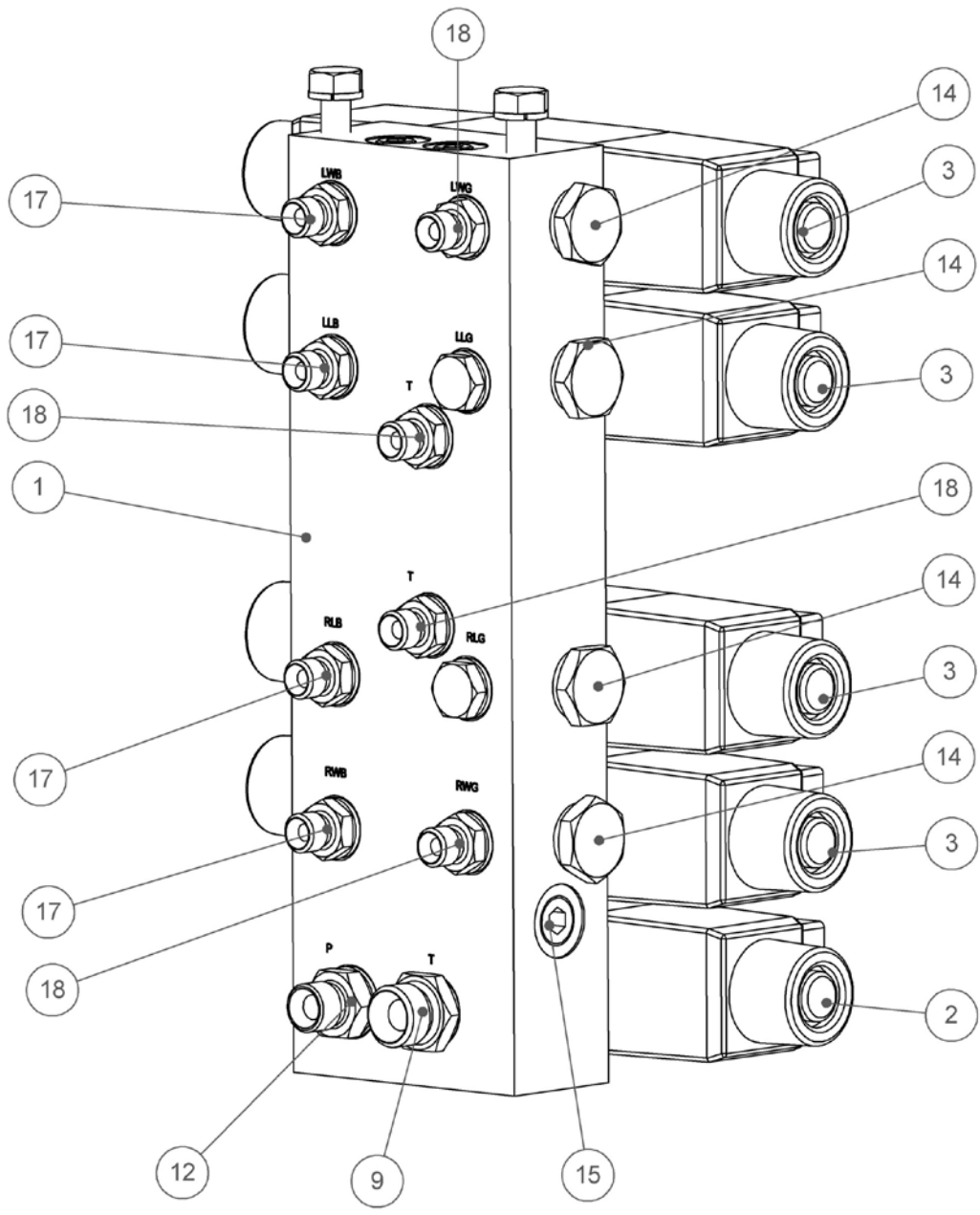


REF.	QTY.	PART No.	DESCRIPTION
		43317.06	FOLD RAM ASSEMBLY
1	1	43317.51	RAM BARREL
2	1	43317.47	PISTON ROD
3	1	43317.31	PISTON
4	1	43317.32	GLAND HOUSING
5	2	08.297.04	BUSH
6	1	8629208	SCRAPER RING
7	1	8629225	GLAND SEAL
8	1	8629157	GUIDE RING
9	1	8629156	PISTON SEAL
10	1	42775.01	DOWEL
11	1	8600301	O RING
12	1	8600306	O RING
13	1	0901121	GREASE NIPPLE
14	2	8650103	BONDED SEAL
15	2	8581115	ADAPTOR
16	1	21254.01	TRUNNION
17	24	30.214.47	DISC SPRING
18	1	9163009	NYLOC NUT
19	1	9501406	SPLIT PIN

ACV ASSEMBLY

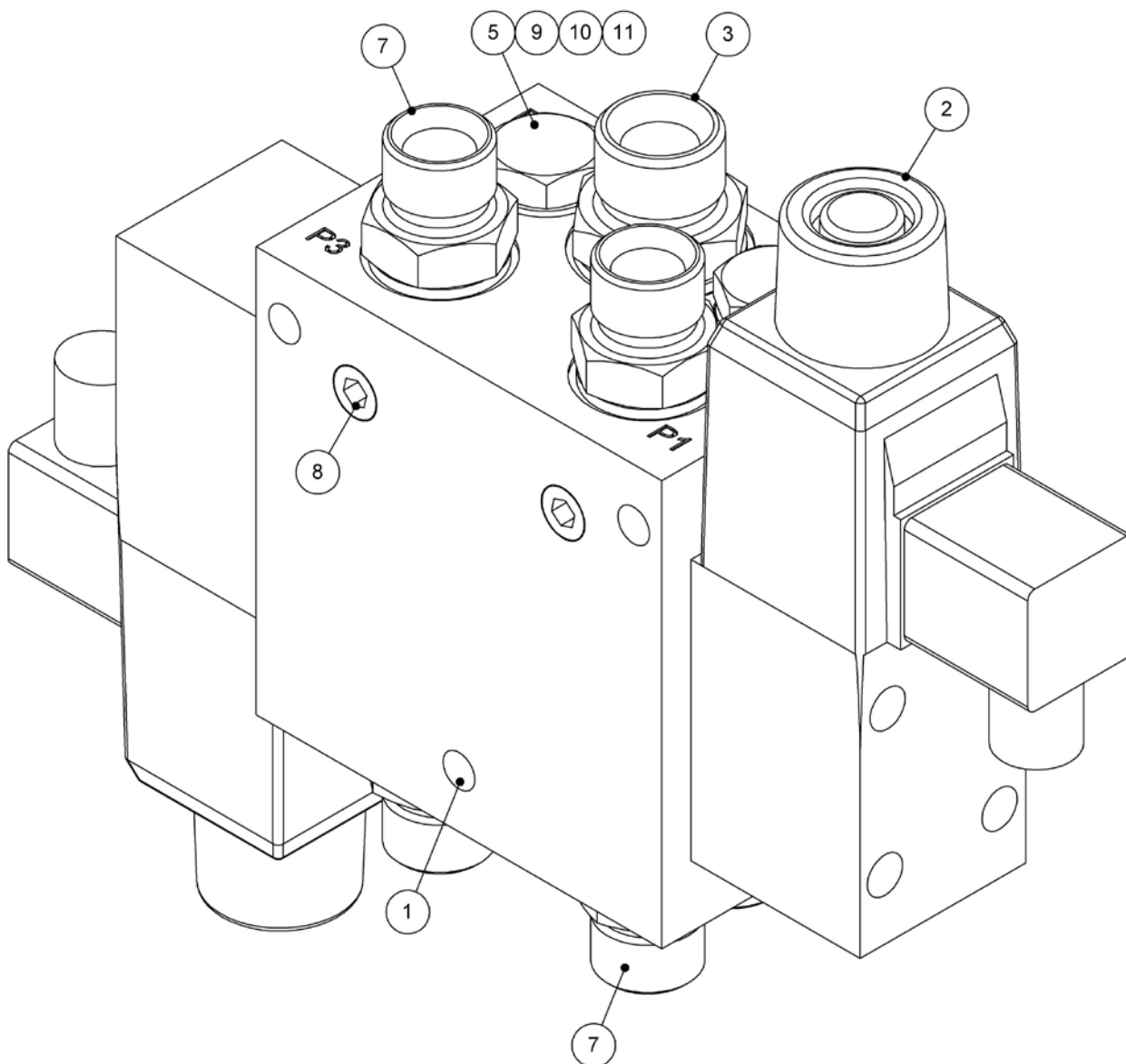
Module(s): 7740710

McCONNEL

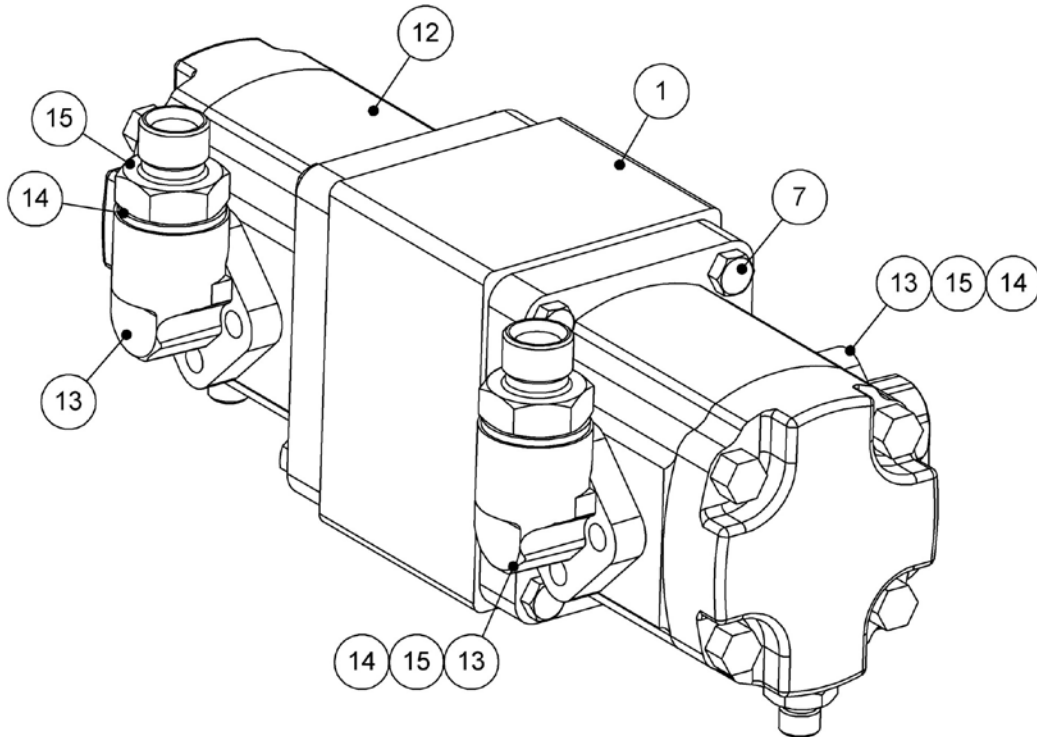


Module(s): 7740710

REF.	QTY.	PART No.	DESCRIPTION
		7740710	ACV ASSEMBLY
1	1	8132283	MANIFOLD BLOCK
2	1	8130456	CUT OFF SOLENOID VALVE
3	4	8130629	DOUBLE SOLENOID VALVE
4	2	9313065	SETSCREW
5	2	9100205	SPRING WASHER
6	20	9243062	CAPSCREW
7	1	8130032	RELIEF VALVE CAP
8	4	8130087	ACTUATOR
9	1	6000112	ADAPTOR
10	1	6000113	ADAPTOR
11	1	8130092	RELIEF VALVE (190BAR)
12	3	8650103	BONDED SEAL
13	10	8650102	BONDED SEAL
14	8	8130090	CHECK VALVE ASSEMBLY
15	3	8582043	TAPER PLUG
16	2	8582042	TAPER PLUG
17	4	8130105	ADAPTOR RESTRICTOR - 1.6 'H'
18	4	8130038	ADAPTOR RESTRICTOR - 1.4 'L'
19	2	520378	ADAPTOR PLUG
20	1	41844.01	LOOM - 19 CORE



REF.	QTY.	PART No.	DESCRIPTION
		45748.01	RCV ASSEMBLY
1	1	8132282	BLOCK
2	2	8130456	CUT OFF SOLENOID VALVE
3	1	8581136	ADAPTOR
4	6	8650104	BONDED SEAL
5	2	8650103	BONDED SEAL
6	1	8650106	BONDED SEAL
7	6	G3812120	ADAPTOR
8	2	8582042	TAPER PLUG
9	2	8130092	RELIEF VALVE (190BAR)
10	2	8116011	SPRING
11	2	8130031	RELIEF VALVE CAP
12	8	9243062	CAPSCREW

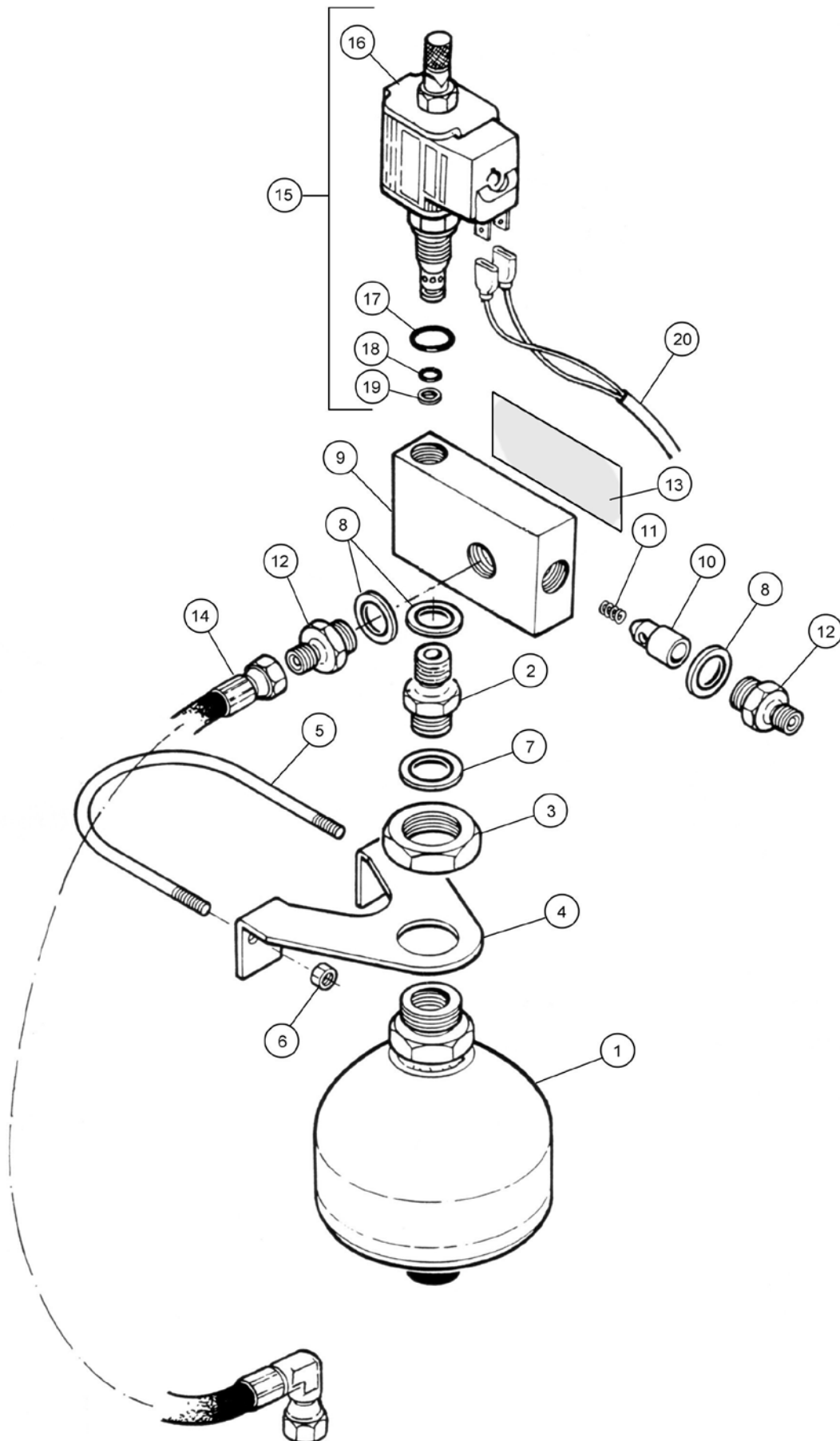


REF.	QTY.	PART No.	DESCRIPTION
		45759.01	FLOW DIVIDER ASSEMBLY
1	1	45758.01	BLOCK
2	2	1090035	SPLINED ADAPTOR
4	2	8600517	O RING
5	2	8650102	BONDED SEAL
6	2	8581169	ADAPTOR
7	8	9313064	SETSCREW
9	1	45748.02	SPLINED SLEEVE
12	2	8301305	HI FLOW MOTOR
13	4	8005052	PRESSURE CONNECTION KIT
14	4	8650106	BONDED SEAL
15	4	8581270	ADAPTOR

LIFT FLOAT KIT

Module(s): 8126290

McCONNEL



REF.	QTY.	PART No.	DESCRIPTION
		8126290	LIFT FLOAT KIT - Quick Response
1	1	8126042	ACCUMULATOR
2	1	G2410380	ADAPTOR
3	1	8126035	BULKHEAD NUT
4	1	8126286	BRACKET
5	1	8126031	U BOLT
6	2	9143004	SELF-LOCKING NUT
7	1	8650322	BONDED SEAL
8	3	8650103	BONDED SEAL
9	1	8126287	CONTROL BLOCK
10	1	8126037	RESPONSE PISTON
11	1	8116011	SPRING
12	2	8581115	ADAPTOR
13	1	1290061	DECAL - OPERATION
14	1	8535012	HOSE - 1/4" BSP SF/90F x 12"
15	1	8130183	POPPET VALVE - includes:
16	1	8130184	COIL
17	1	8700017	O RING
18	1	8700511	O RING
19	1	8709511	ANTI-EXTRUSION RING
20	1	8402159	HARNESS - <i>Electric machines only</i>



McConnel Limited, Temeside Works, Ludlow, Shropshire SY8 1JL. England.
Telephone: 01584 873131. Facsimile: 01584 876463. www.mcconnel.com