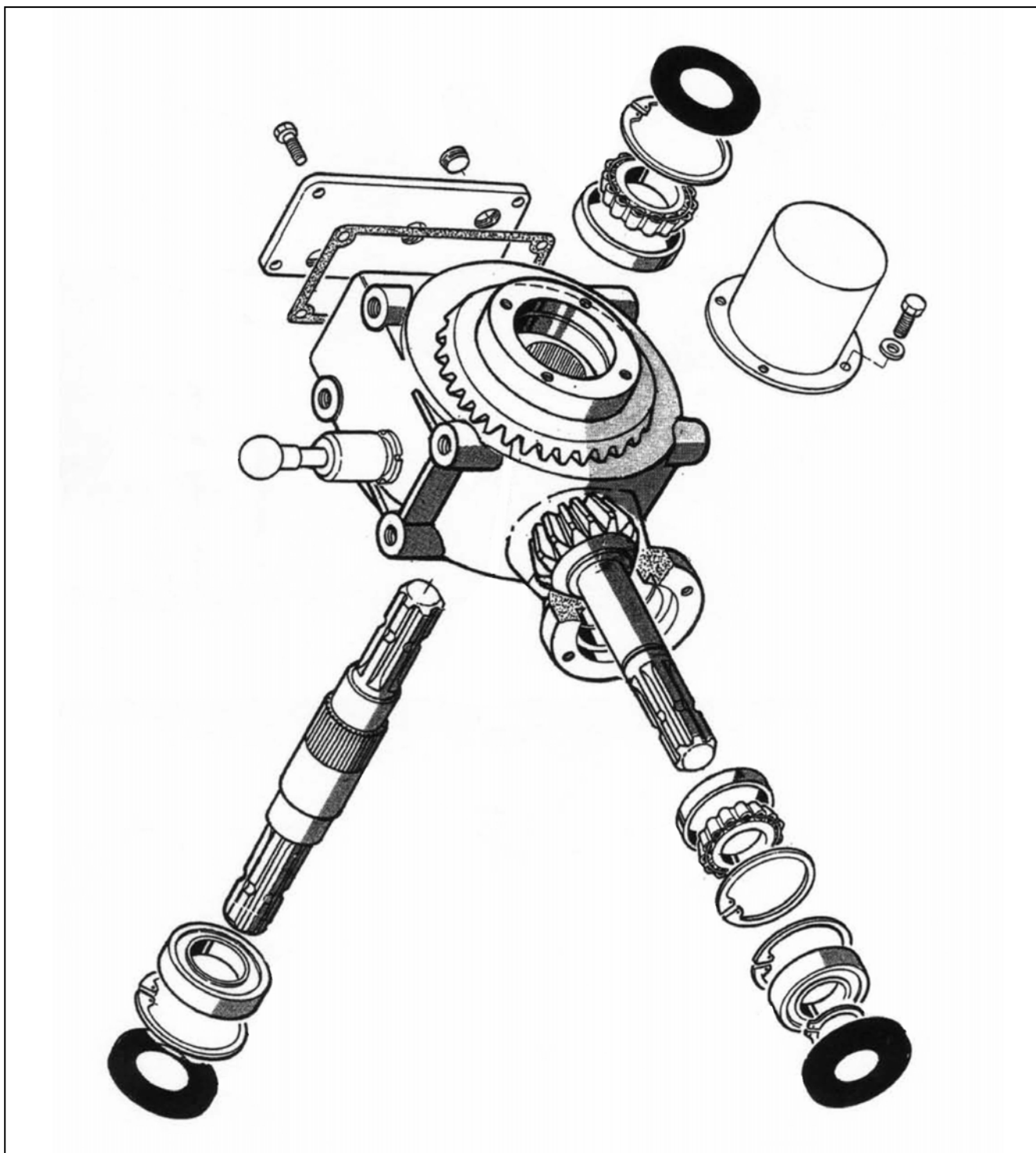


Publication 576
February 2009
Part No. 41571.76

McCONNEL

FX400 & FX500 FLAIL MOWERS

Parts Manual





For best performance ...

USE ONLY GENUINE McCONEL SERVICE PARTS

*To be assured of the latest design improvements purchase your
'Genuine Replacements' from the 'Original Equipment Manufacturer'*

McCONEL LIMITED

Through your local Dealer or Stockist

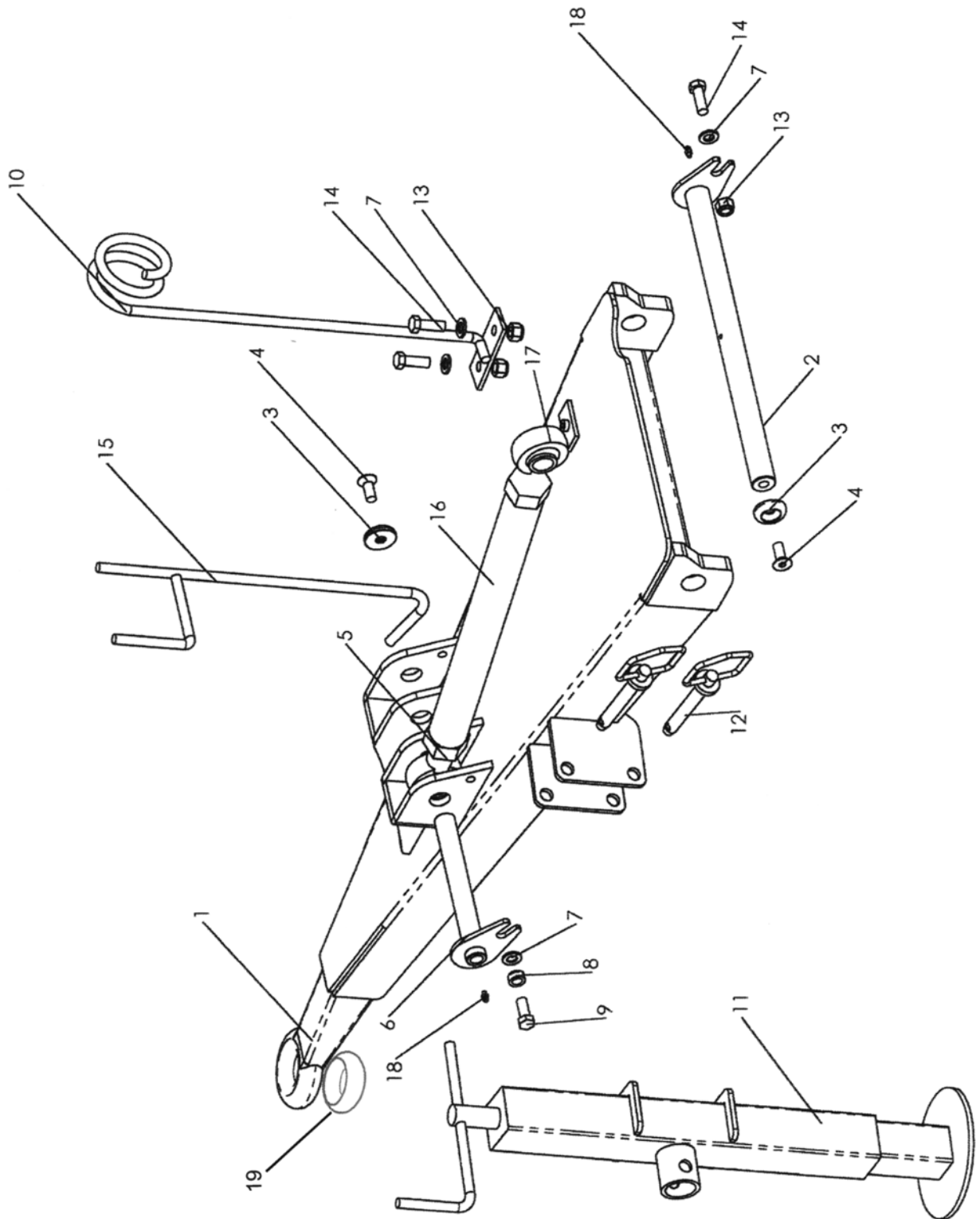
Always quote:

- ***Machine Type***
- ***Serial Number***
- ***Part Number***

*Design improvements may alter some of the parts listed in this manual –
the latest part will always be supplied when it is interchangeable with an earlier one.*

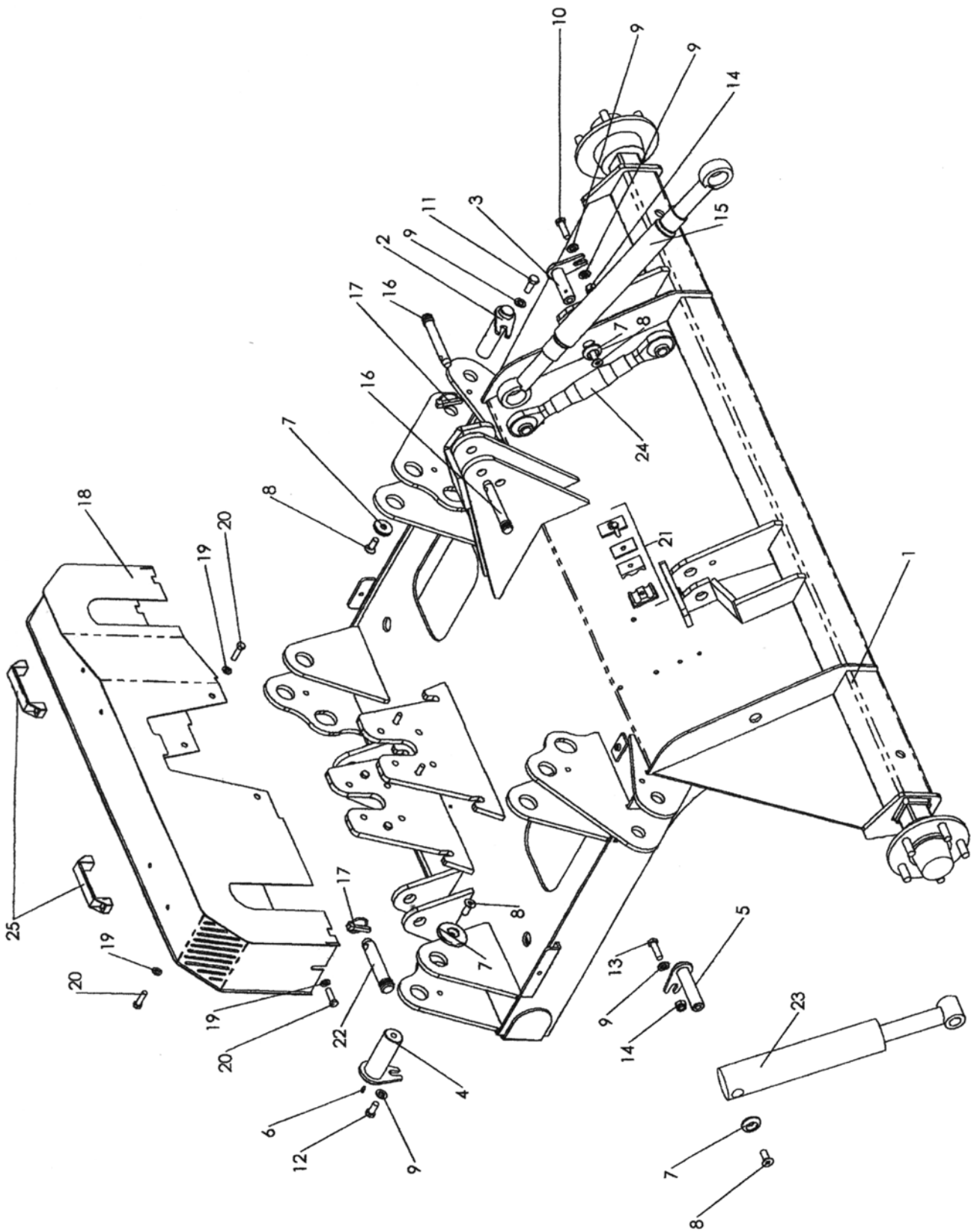
CONTENTS

Drawbar Assembly	1
Main Frame Assembly	3
Drive Link Assembly	5
Wing Arm Assembly	7
Wing Body	9
Rear Linkage Assembly	11
Head Stock Assembly	13
Rear Mower Assembly	15
Rotor & Roller Assemblies	17
Wheel Assembly	19
Hydraulic Ram Assemblies	21
Auxiliary Valve Assembly	23
Control Lever Assembly	25
Input PTO Driveshaft	27
Wing PTO Shaft Assembly	29
Gearbox Assembly	31
Wing Gearbox	33
Safety & Information Decals	35



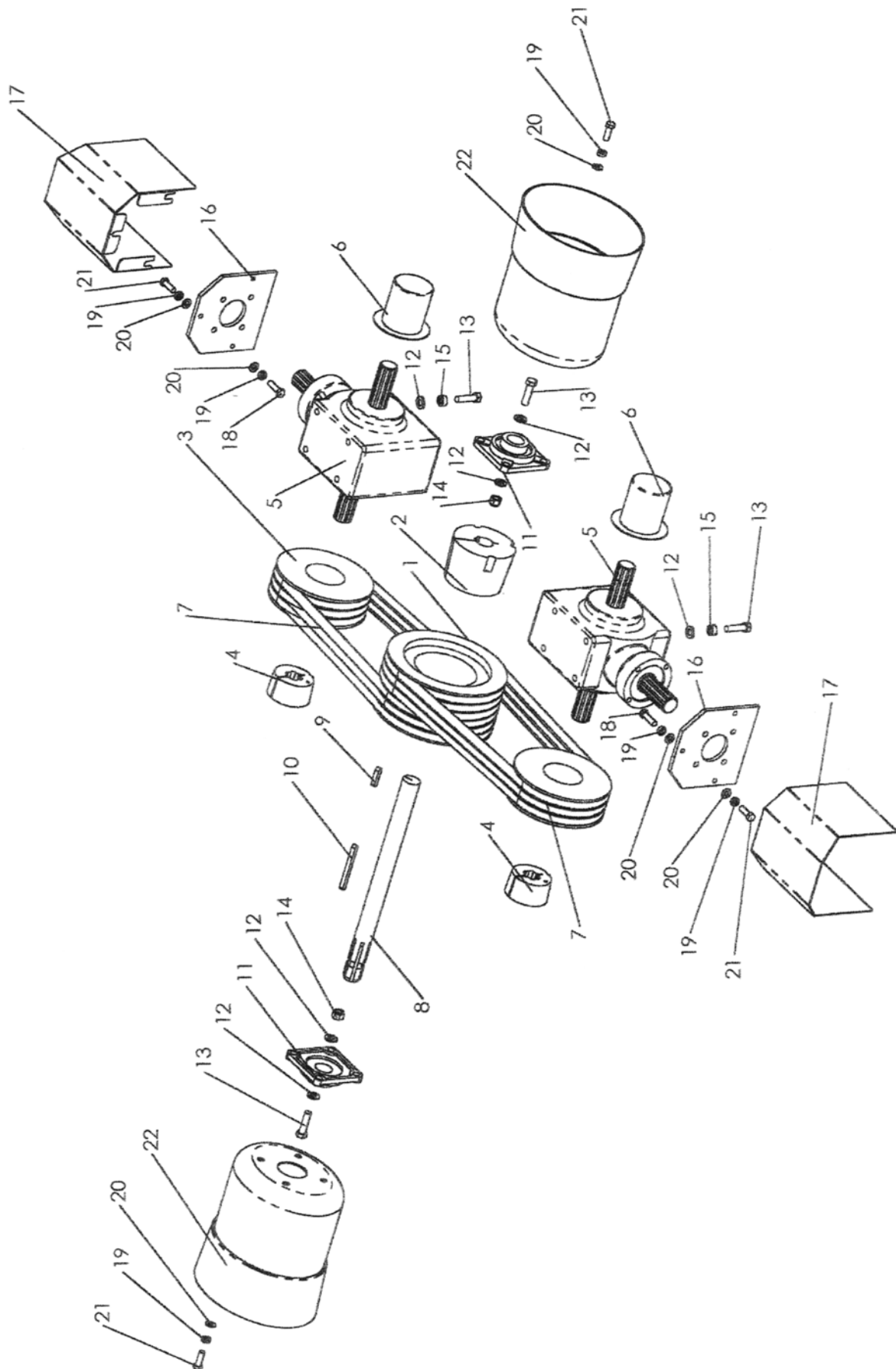
DRAWBAR ASSEMBLY

REF.	PART No.	ENGLISH DESCRIPTION	GERMAN DESCRIPTION	DANISH DESCRIPTION
1	1771540A-A	Drawbar assembly	Zugrahmen	Træk
	1771540E	Drawbar – Euro assembly	Zugrahmen Euro	Træk Euro
	6770627	Weld in towing eye	Zugaue Schweissteil	Trækøje Svejsedel
2	1771549	Pin	Bolz	Pløk
3	1777209	Retaining washer	Scheibe	Skive
4	2770506	Bolt	US Bolz	US bolt
5	6770638	LH linkage end	LH Oberlenkerauge	LH Topstangsøje
6	1771561	Pin	Bolz	Pløk
7	2770436	Flat washer	Scheibe	Skive
8	2770442	Spring washer	Scheibe	Skive
9	2770420	Bolt	Bolz	Bolt
10	1770692	Hose guide bracket	Schlauch halter	Slangeholder
11	1771555A	Std Jack	Stützbein	Støtteben
	1800089	Euro Jack		
12	6310220	Pin with handle	Bolz	Pløk
13	2770417	Nut	Mutter	Møtrik
14	2770535	Bolt	Bolz	Bolt
15	1771560	P.T.O. support bracket	Gelenkwelle halter	Kardan holder
16	1771562	Tie bar	Oberlenker rohr	Topstangsrør
17	6770631	RH linkage end	RH Oberlenkerauge	RH Topstangsøje
18	2770467	Grease nipple	Schmiernippel	Smørenippel
19	4600139	Plastic spacer	Unterlegs scheibe	Plastik skive



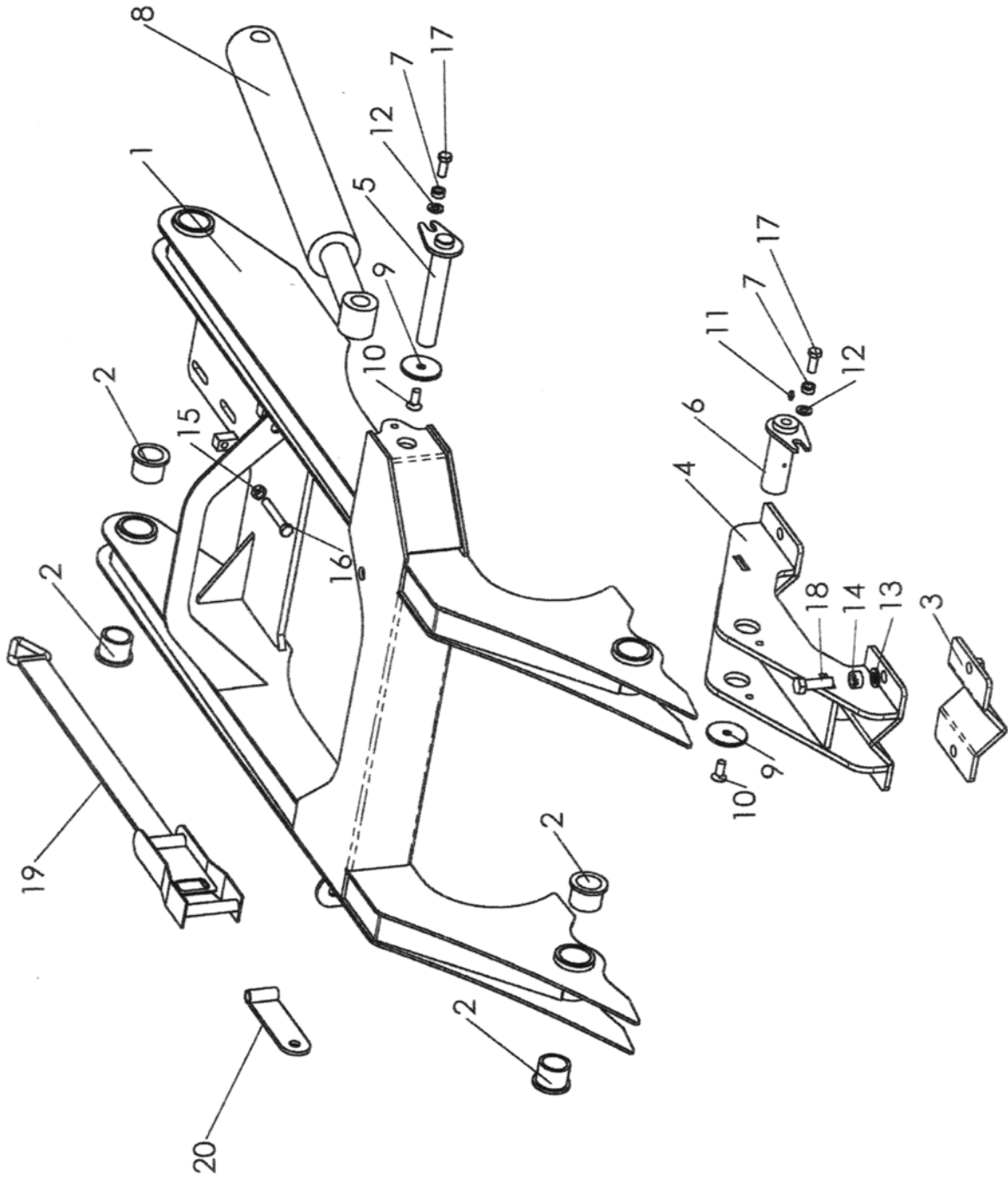
MAIN FRAME ASSEMBLY

REF.	PART No.	ENGLISH DESCRIPTION	GERMAN DESCRIPTION	DANISH DESCRIPTION
1	1771539	Main frame	Rahmen	Ramme
2	1777468	Pin	Bolz	Pløk
3	1777226	Pin	Bolz	Pløk
4	1777760	Pin	Bolz	Pløk
5	1777761	Pin	Bolz	Pløk
6	2770467	Grease nipple	Schmiernippel	Smørenippel
7	1777209	Retaining washer 40mm	Scheibe 40 mm	Skive 40 mm
7a	1777208	Retaining washer 65mm	Scheibe 65 mm	Skive 65 mm
7b	1777207	Retaining washer 75mm	Scheibe 75 mm	Skive 75 mm
8	2770506	Bolt	Bolz	Bolt
9	2770436	Flat washer	Scheibe	Skive
10	2770458	Bolt	Bolz	Bolt
11	2770420	Bolt	Bolz	Bolt
12	2770484	Bolt	Bolz	Bolt
13	2770443	Bolt	Bolz	Bolt
14	2770417	Nut	Mutter	Møtrik
15	6310177	Cat. 1 top link	Kat 1 Oberlenker	Kat 1 Topstang
16	6310202A	Cat. 1 top link pin	Kat 2 Bolz	Kat 2 Pløk
17	6310206	Lynch pin	Klap Splint	Ringsplit
18	1771542	Main drive guard	Schutz	Beskyttelse
19	2770434	Flat washer	Scheibe	Skive
20	2770396	Bolt	Bolz	Bolt
21	3870632	Hose clamp	Schlauche halter	Slangeholder
22	6310203	Cat. 2 top link pin	Kat 2 Bolz	Kat 2 Pløk
23	3580656	Ram	Zylinder	Cylinder
	3570666HP	Seal Kit	Dichtungssatz	Pakningssæt
24	6310175	Cat. 1 top link	Kat 1 Oberlenker	Kat 1 Topstang
25	8777513	Handle	Griff	Håndtag



DRIVE LINK ASSEMBLY

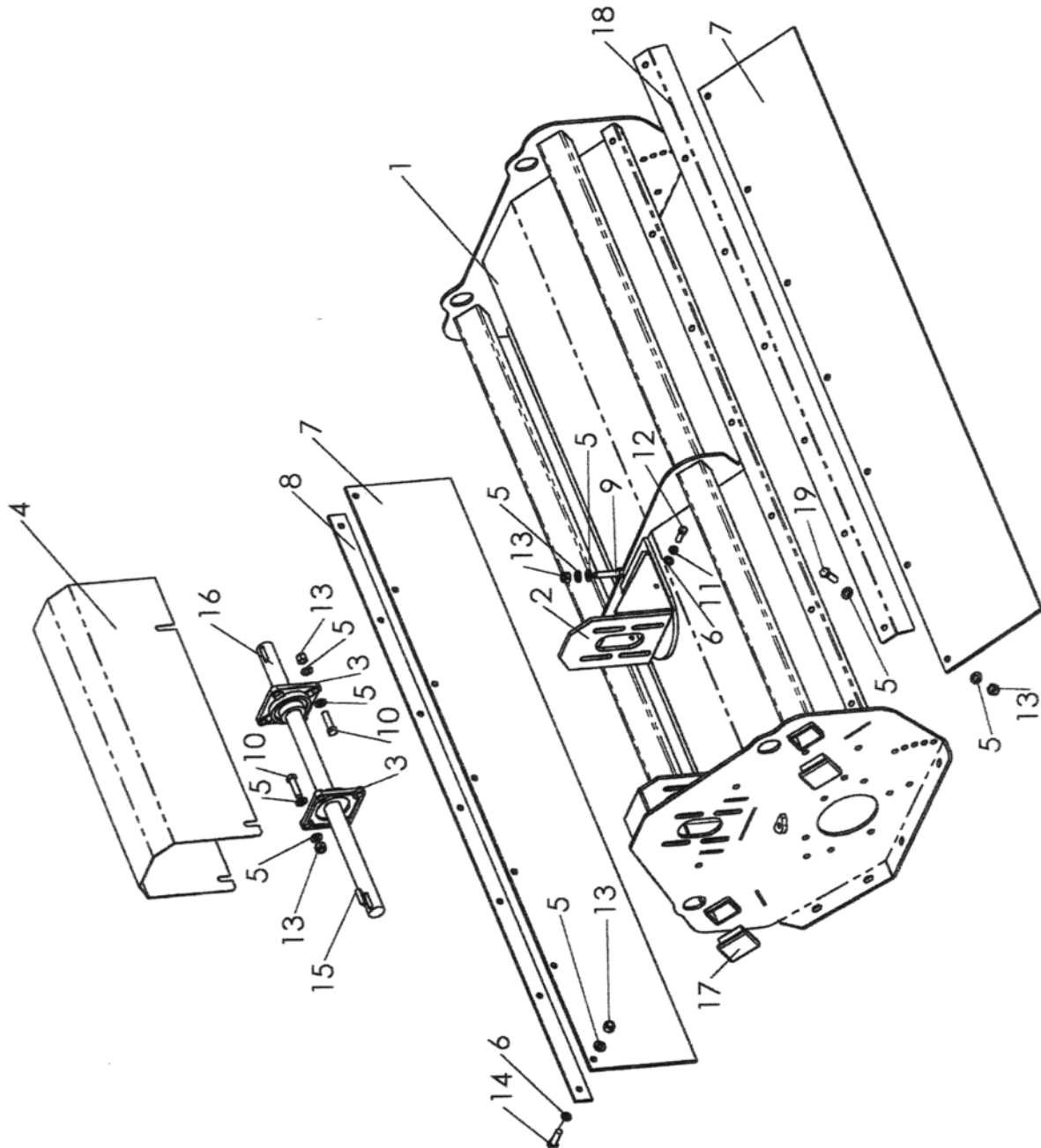
REF.	PART No.	ENGLISH DESCRIPTION	GERMAN DESCRIPTION	DANISH DESCRIPTION
1	4770909	Pulley	Riemen Scheibe	Remskive
2	4770910	Taper lock	Taper lock	Taper lock
3	4770829	Pulley	Riemen Scheibe	Remskive
4	4770895	Taper lock	Taper lock	Taper lock
5	5770028	Gearbox – constant	Getriebe-Std.	Gearkasse-std.
	5770032	Gearbox – disengage	Getriebe-Auskupplung	Gearkasse-udkobling
6	1777602	Shaft cover	Welle Schutz	Aksel beskyttelse
7	4770843	Main drive belt x 6	Keilriemen x 6	Kilerem x 6
8	5770047	Through shaft	Dürchgangswelle	Gennemgangsaksel
8a	1800090	Bush 20mm	Bush 20mm	Bush 20mm
8b	1800091	Bush 10mm	Bush 10mm	Bush 10mm
9	4772229	Key	Nut	Not
10	4772235	Key	Nut	Not
11	4770860EC	Bearing	Lager	Leje
12	2770436	Flat washer	Scheibe	Skive
13	2770397	Bolt	Bolz	Bolt
14	2770417	Nut	Mutter	Møtrik
15	2770442	Spring washer	Scheibe	Skive
16	1771558	Belt tensioned plate	Riemenspannplatte	Remspændeplade
17	1771574	Wing PTO guard	Gelenkwelle Schutz	Kardanbeskyttelse
18	2770396	Bolt	Bolz	Bolt
19	2770469	Spring washer	Scheibe	Skive
20	2770434	Flat washer	Scheibe	Skive
21	2770421	Bolt	Bolz	Bolt
22	5770106	Cone with window	Plastik Kegel	Plastik kegle



WING ARM ASSEMBLY

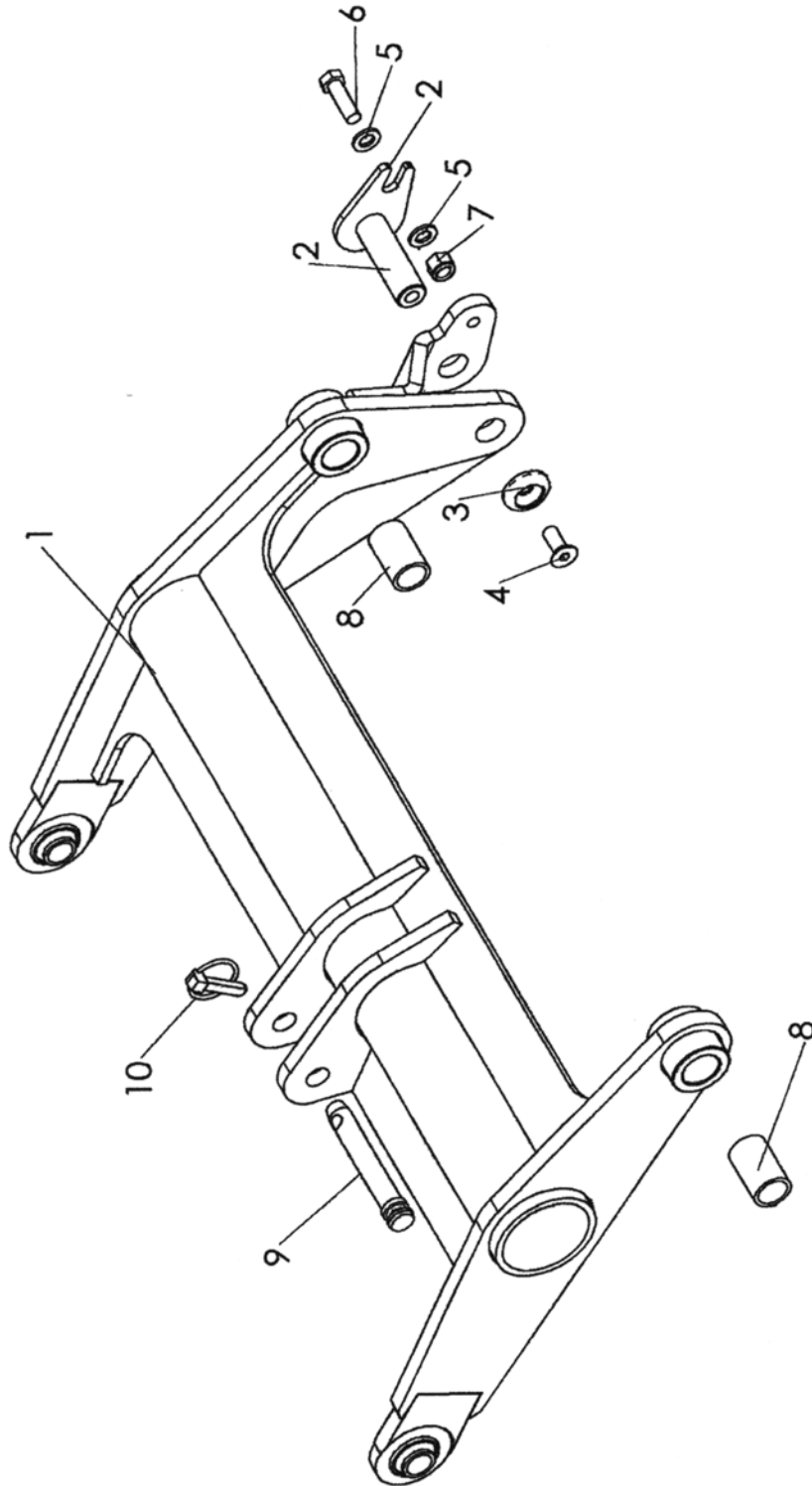
REF.	PART No.	ENGLISH DESCRIPTION	GERMAN DESCRIPTION	DANISH DESCRIPTION
	1771569	Wing arm - LH FX400	Arm LH FX400	Arm LH FX400
1	1771569R	Wing arm - RH FX400	Arm RH FX400	Arm RH FX400
	1771541	Wing arm - LH FX500	Arm LH FX500	Arm LH FX500
	1771541R	Wing arm - RH FX500	Arm RH FX500	Arm RH FX500
2	4600127A	Flange bush	Buchse	Bøsning
3	1771554A	Mount clamp	Montierungsplatte	Monteringsplade
4	1771552A	Flail mounting clamp	Konsol	Konsol
5	1777483	Pin	Bolz	Pløk
6	1777760	Pin	Bolz	Pløk
7	2770442	Spring washer	Scheibe	Skive
8	3580657	Ram	Zylinder	Cylinder
	3570664HP	Seal kit	Dichtungssatz	Pakningssæt
9	1777208	Retaining washer	Scheibe	Skive
10	2770506	Bolt	US Bolz	US Bolt
11	2770467	Grease nipple	Schmiernippel	Smørenippel
12	2770436	Flat washer	Scheibe	Skive
13	2770454	Flat washer	Scheibe	Skive
14	2770456	Spring washer	Scheibe	Skive
15	2770536	Full nut	Mutter	Møtrik
16	2770393	Bolt	Bolz	Bolt
17	2770420	Bolt	Bolz	Bolt
18	2770425	Bolt	Bolz	Bolt
19	6310225	Transport strap	Transport Gürtel	Transportrem
20	1771551	Ratchet pivot	Spange	Spænde

WING BODY



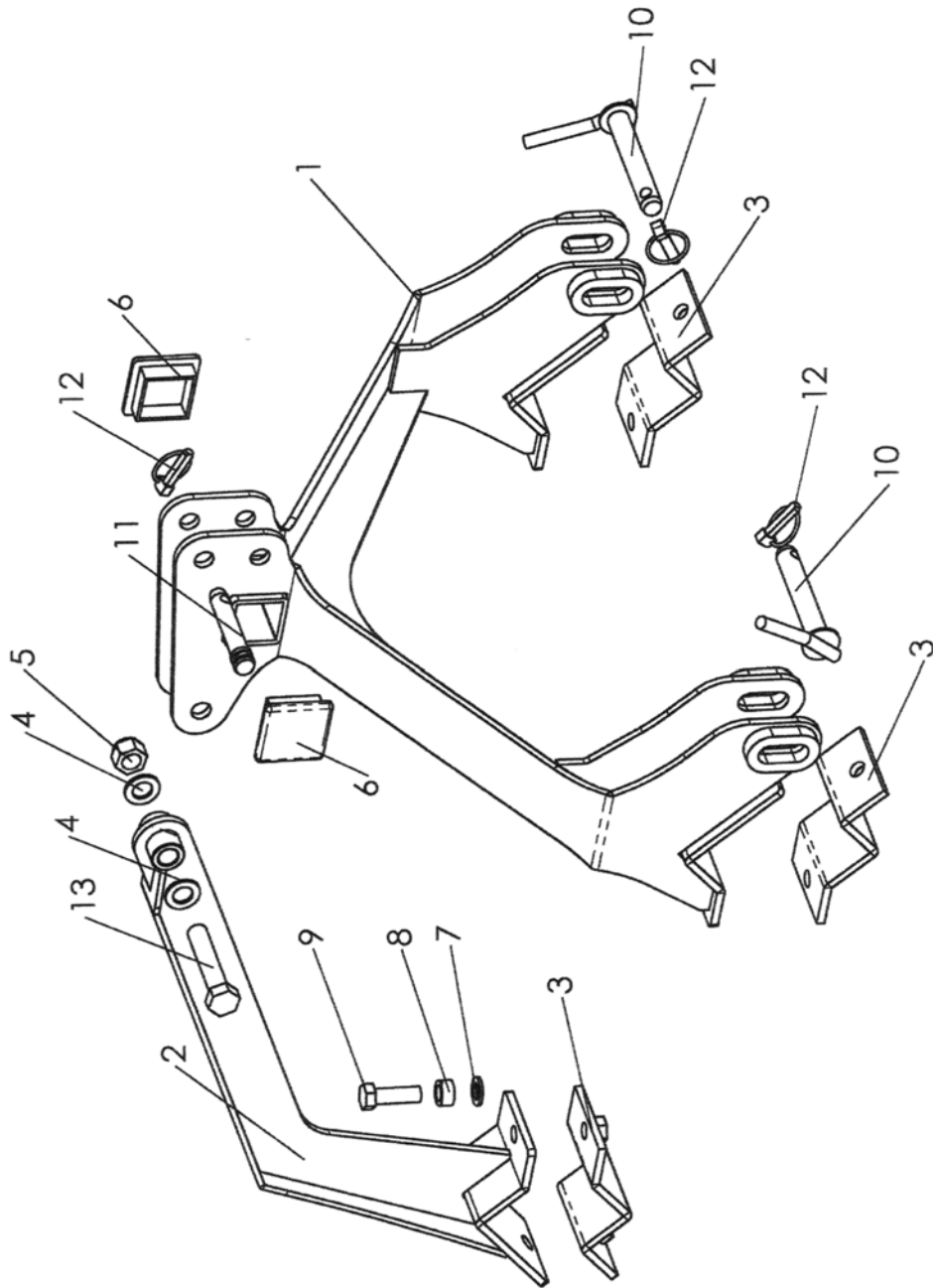
WING BODY

REF.	PART No.	ENGLISH DESCRIPTION	GERMAN DESCRIPTION	DANISH DESCRIPTION
1	1771591	Wing body LH FX400	Körper LH FX400	Krop LH FX400
	1771591R	Wing body RH FX400	Körper RH FX400	Krop RH FX400
	1771538B	Wing body LH FX500	Körper LH FX500	Krop LH FX500
	1771538BR	Wing body RH FX500	Körper RH FX500	Krop RH FX500
2	1771546A	Lay shaft support	Halter	Holder
3	4770860EC	Bearing	Lager	Leje
4	1771570	Shaft guard – FX400	Welle Schutz FX400	Låg FX400
	1771537	Shaft guard – FX500	Welle Schutz FX500	Låg FX500
5	2770436	Flat washer	Scheibe	Skive
6	2770434	Flat washer	Scheibe	Skive
7	8550130	1.5m rubber flap	Gummi 1.5 m	Gummi 1.5 m
	8400205	1.8m rubber flap	Gummi 1.8 m	Gummi 1.8 m
8	1771534	1.5m retaining strip	Halter 1.5 m	Holder 1.5 m
	1771531	1.8m retaining strip	Halter 1.8 m	Holder 1.8 m
9	2770450	Bolt	Bolz	Bolt
10	2770397	Bolt	Bolz	Bolt
11	2770469	Spring washer	Scheibe	Skive
12	2770421	Bolt	Bolz	Bolt
13	2770417	Nut	Mutter	Møtrik
14	2770458	Bolt	Bolz	Bolt
15	4772229	Key	Nut	Not
16	1771571	Wing lay shaft - FX400	Antriebswelle	Aksel
	1771543	Wing lay shaft – FX500	Antriebswelle	Aksel
17	8777516	End cap		
18	1771508	Retaining strip – FX400	Halter – FX400	Holder – FX400
	1771573	Retaining strip – FX500	Halter – FX500	Holder – FX500
19	2770443	Bolt	Bolz	Bolt



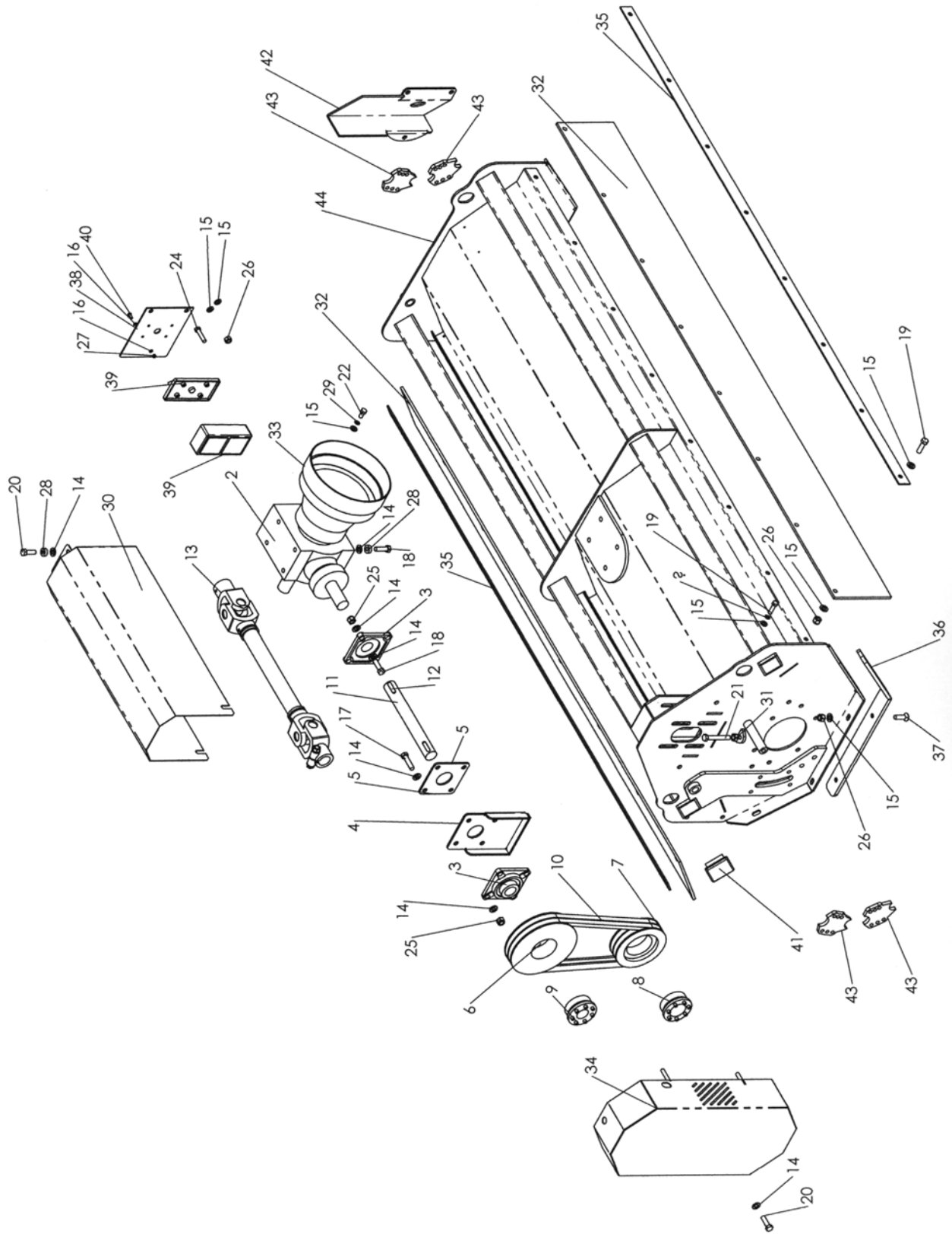
REAR LINKAGE ASSEMBLY

REF.	PART No.	ENGLISH DESCRIPTION	GERMAN DESCRIPTION	DANISH DESCRIPTION
1	1771544	Rear linkage	Hebebühne	Lift
2	1778036	Pin	Bolz	Pløk
3	1777209	Retaining washer	Scheibe	Skive
4	2770506	Bolt	US Bolz	US Bolt
5	2770436	Flat washer	Scheibe	Skive
6	2770443	Bolt	Bolz	Bolt
7	2770417	Nut	Mutter	Møtrik
8	4600124	Plain bush	Buchse	Bøsning
9	6310202A	Cat.1 top link pin	Kat 1 Bolz	Kat 1 Pløk
10	6310206	Lynch pin	Klapsplint	Ringsplint



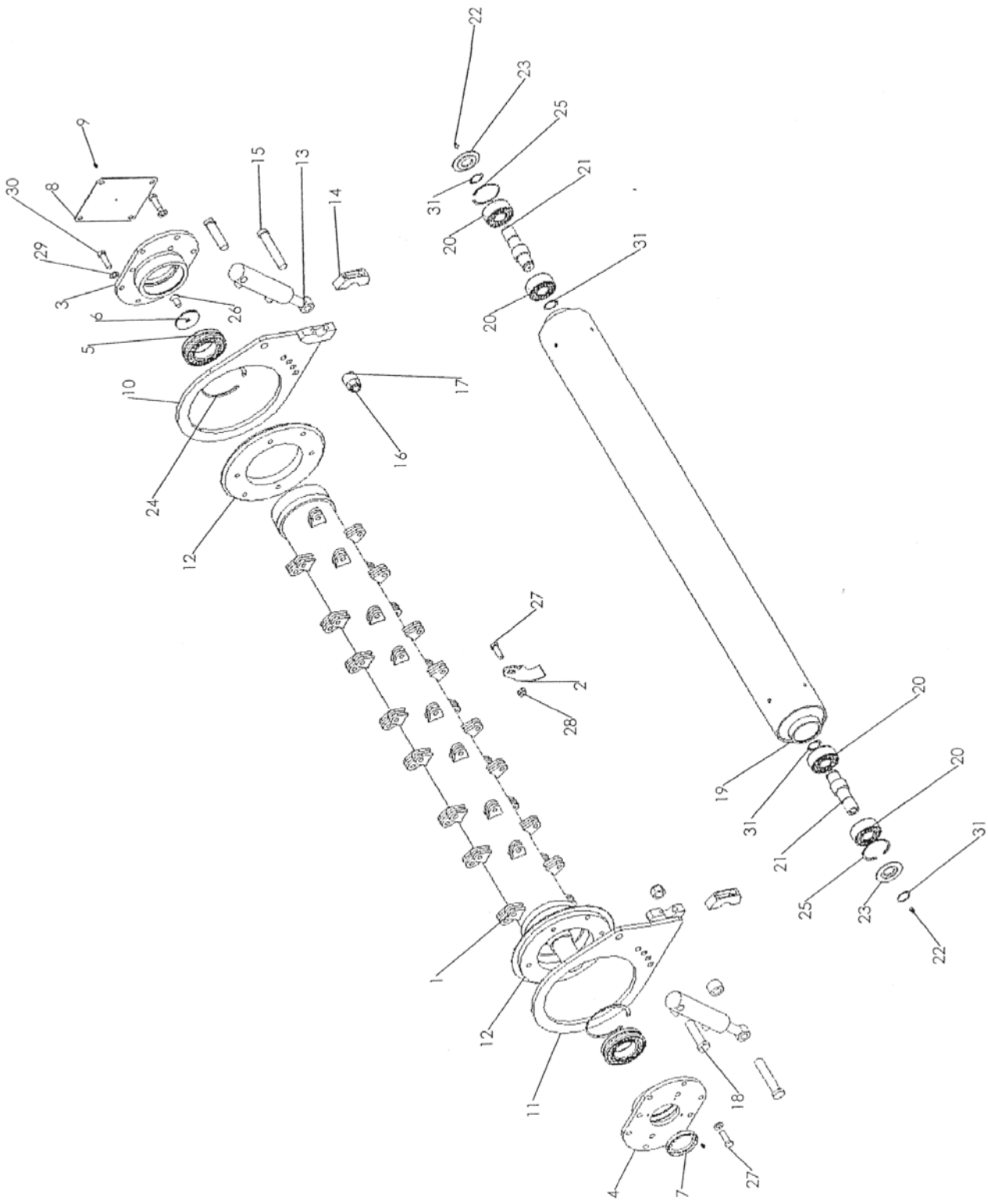
HEAD STOCK ASSEMBLY

REF.	PART No.	ENGLISH DESCRIPTION	GERMAN DESCRIPTION	DANISH DESCRIPTION
1	1771524A	Headstock	3-Punkt Rahme	3-Punktsramme
2	1771573	Headstock rear link	3-Punkt Rahme Halter	3-punktsrammeholder
3	1771503A	Headstock clamp	Halter	Holder
4	2770517	Flat washer	Scheibe	Skive
5	2770409	Nut	Mutter	Møtrik
6	8777516	End cap	Plastik	Plastik
7	2770454	Flat washer	Scheibe	Skive
8	2770456	Spring washer	Scheibe	Skive
9	2770425	Bolt	Bolz	Bolt
10	6310229	Lower link pin	Bolz	Pløk
11	6310202A	Top link pin	Bolz	Pløk
12	6310206	Pin	Klapsplint	Ringsplit
13	2770549	Bolt	Bolz	Bolt



REAR MOWER ASSEMBLY

REF.	PART No.	ENGLISH DESCRIPTION	GERMAN DESCRIPTION	DANISH DESCRIPTION
1	1771538B	1.8m Main body	1.8 m Körper	1.8 m Krop
2	5770010	Gearbox	Getriebe	Gearkasse
3	4770860EC	Bearing	Lager	Leje
4	1771513	Tensioned bracket	Spann Platte	Spændeplade
5	1771520	Backing plate	Stütz Platte	Støtteplade
6	4770926	Pulley 200mm	Riemenscheibe 200 mm	Remskive 200 mm
7	4770927	Pulley 150mm	Riemenscheibe 150 mm	Remskive 150 mm
8	4770922	Clamping element	Easy-lock	Easy-lock
9	4770923	Clamping element	Easy-lock	Easy-lock
10	4770870	Drive belt	Riemen	Rem
11	1772211	Lay shaft	Welle	Aksel
12	4772229	Key	Nut	Not
13	5770066	Cross shaft	Gelenkwelle	Kardan
14	2770436	Washer	Scheibe	Skive
15	2770434	Washer	Scheibe	Skive
16	2770391	Washer	Scheibe	Skive
17	2770419	Bolt	Bolz	Bolt
18	2770443	Bolt	Bolz	Bolt
19	2770396	Screw	Bolz	Bolt
20	2770535	Screw	Bolz	Bolt
21	2770393	Bolt	Bolz	Bolt
22	2770418	Screw	Schraube	Skrue
23	N/A	-	-	-
24	2772283	Bolt	Bolz	Bolt
25	2770417	Nut	Mutter	Møtrik
26	2770412	Nut	Mutter	Møtrik
27	2770394	Nut	Mutter	Møtrik
28	2770442	Washer	Scheibe	Skive
29	2770469	Spring washer	Scheibe	Skive
30	1771511A	Cross shaft guard	Deckel	Låg
31	2770536	Nut	Mutter	Møtrik
32	8400205	Rubber flap 1.8m	Gummi 1.8 m	Gummi 1.8 m
33	5770107	Guard	Plastik Kegel	Plastik kegle
34	1771514C	Belt guard	Riemen Deckel	Remlåg
35	1771531	Retaining strip 1.8m	Halter 1.8 m	Holder 1.8 m
36	1771530	Skid	Verschleiss Schiene	Slæbesko
37	2770509	Screw	US Bolz	US Bolt
38	1777482	Light bracket	Licht Platte	Lys plade
39	8770659	Rear light	Licht	Lygte
	8770659A	Lens	Glas	Glas
40	2770243	Bolt	Maschin Schraube	Maskinskrue
41	8777516	End cap	Deckel	Låg
42	1771509R	Ram guard RH	Zylinder Schütz RH	Cyl. beskyttelse RH
	1771509L	Ram guard LH	Zylinder Schütz LH	Cyl. beskyttelse LH
43	1778063	ADJ stop plate	Stop Platte	Stopplade

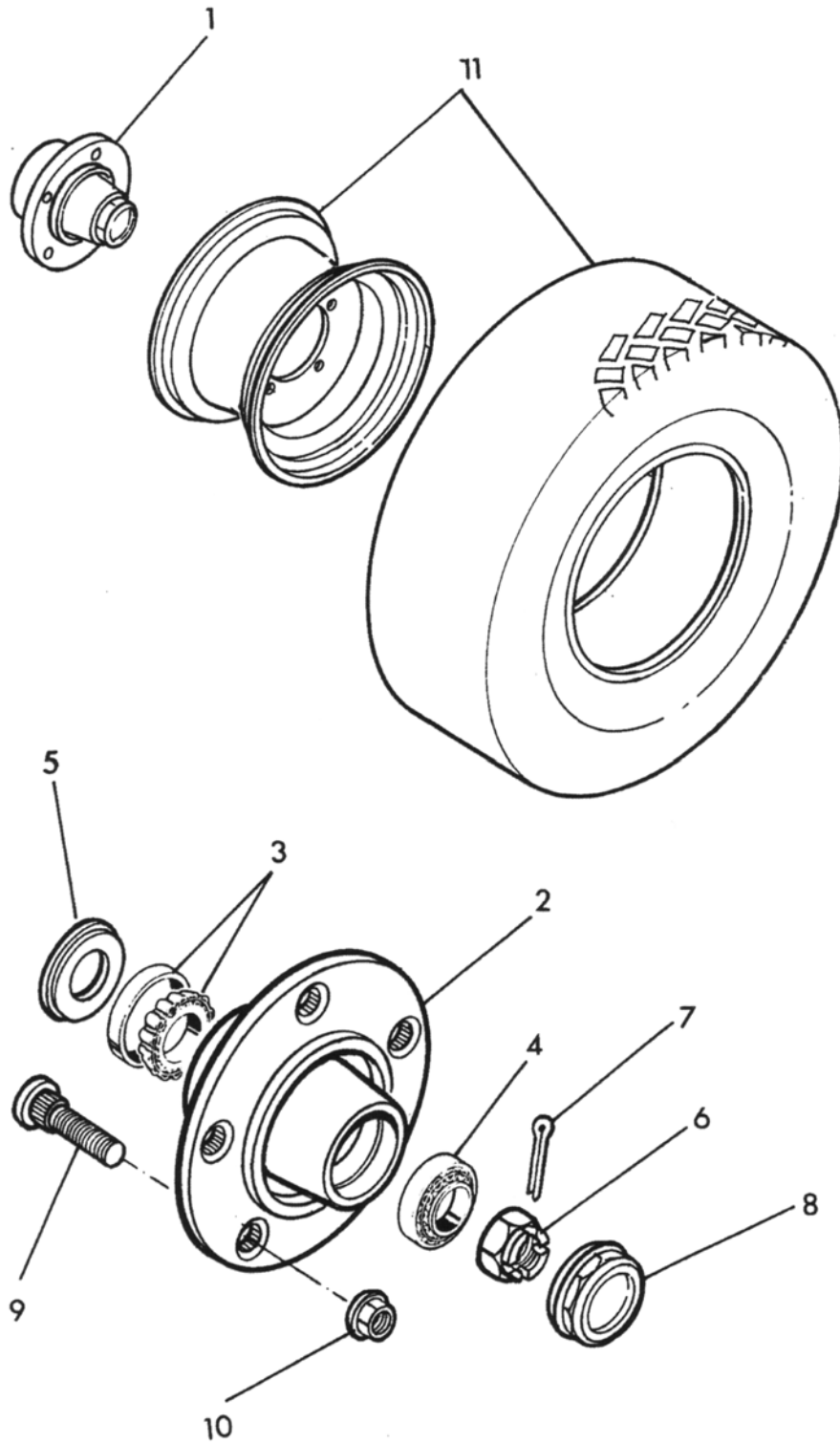


ROTOR & ROLLER ASSEMBLIES

REF.	PART No.	ENGLISH DESCRIPTION	GERMAN DESCRIPTION	DANISH DESCRIPTION
1	SA00092	Rotor assay 1.5m	Rotor Kpl. 1.5 m	Rotor kpl. 1.5 m
	SA00102	Rotor assay 1.8m	Rotor Kpl. 1.8 m	Rotor kpl. 1.8 m
2	7770715	Twisted flail	Multi Schlegel	Multislagle
3	1777310	Bearing housing	Lagerhaus	Lejehus
4	1771529	Bearing housing	Lagerhaus	Lejehus
5	4770891	Bearing	Lager	Leje
6	1777208	Retaining washer	Scheibe	Skive
7	4771123	Seal	Dichtung	Pakdåse
8	1777312	End cover	Deckel	Låg
9	2770467	Grease nipple	Schmiernippel	Smørenippel
10	1771526BR	Roller bracket RH	Walse Halter RH	Bagrulleholder RH
11	1771526B	Roller bracket LH	Walse Halter LH	Bagrulleholder LH
12	1777719	Rotor shield	Schütz Ring	Beskyttelsesring
13	3580664	Ram	Zylinder	Cylinder
	3580664W	Seal kit	Dichtungssatz	Pakningsæt
14	040000D	Clamp	Halter	Overfald
	2770347	Bolt	Bolz	Bolt
15	2772309	Ram pin	Zylinder Bolz	Cylinderbolt
16	2770344	Nut	Mutter	Møtrik
17	1778062	Bush	Buchse	Bøsning
18	2772308	Ram pin	Zylinder Bolz	Cylinderbolt
19	1771533	Roller	Hinter Walse 1.5 m	Bagrulle 1.5 m
	1771527	Roller	Hinter Walse 1.8 m	Bagrulle 1.8 m
	1771582	Roller	Hinter Walse 2.1 m	Bagrulle 2.1 m
20	4771604	Bearing	Lager	Leje
21	1777314A	Shaft	Welle	Aksel
22	2770468	Grease nipple	Schmiernippel	Smørenippel
23	1777231A	Hub cover	Stahl Ring	Stålring
24	2771610	Circlip	Lock Ring	Låsering
25	2771108	Circlip	Lock Ring	Låsering
26	2770506	Screw	US Bolz	US Bolt
27	2770364	Bolt	Bolz	Bolt
28	2770574	Lock nut	Mutter	Møtrik
29	2770436	Washer	Scheibe	Skive
30	2770397	Bolt	Bolz	Bolt
31	2777519	Circlip	Lock Ring	Låsering
32	SA02015	Roller Assay	Hinter Walse Kpl. 1.5 m	Bagrulle kpl. 1.5 m
	SA02018	Roller Assay	Hinter Walse Kpl. 1.8 m	Bagrulle kpl. 1.8 m
33	6770933	Scraper wire	Wire	Wire
	6770932	Scraper wire	Wire	Wire
34	2770259	Cup square bolt		

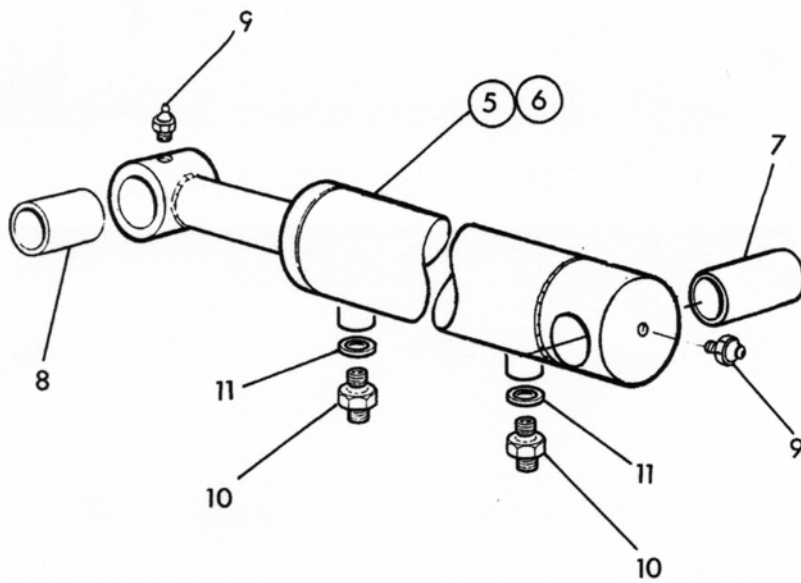
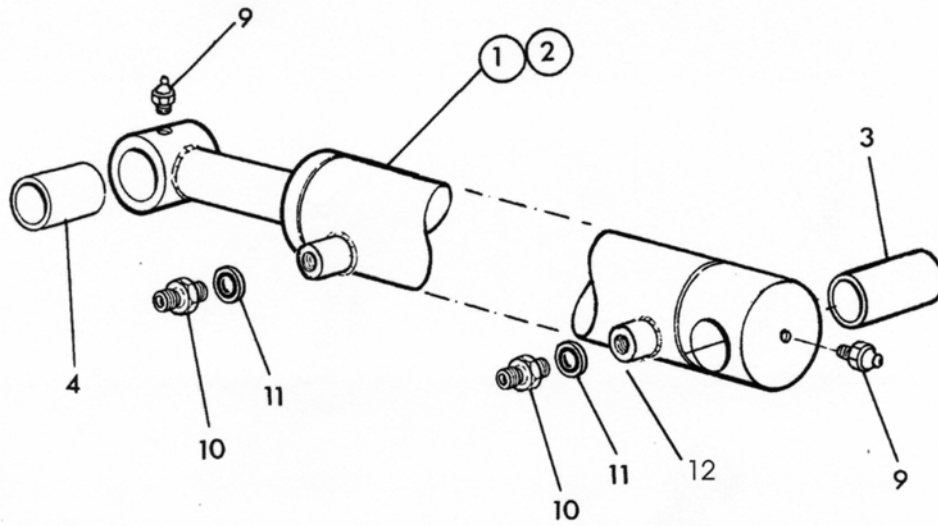
**NOTE: FX400 model has 156 flails
FX500 model has 180 flails**

WHEEL ASSEMBLY



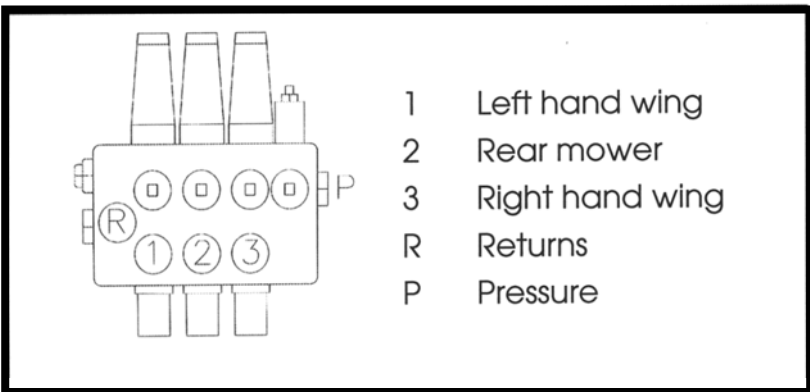
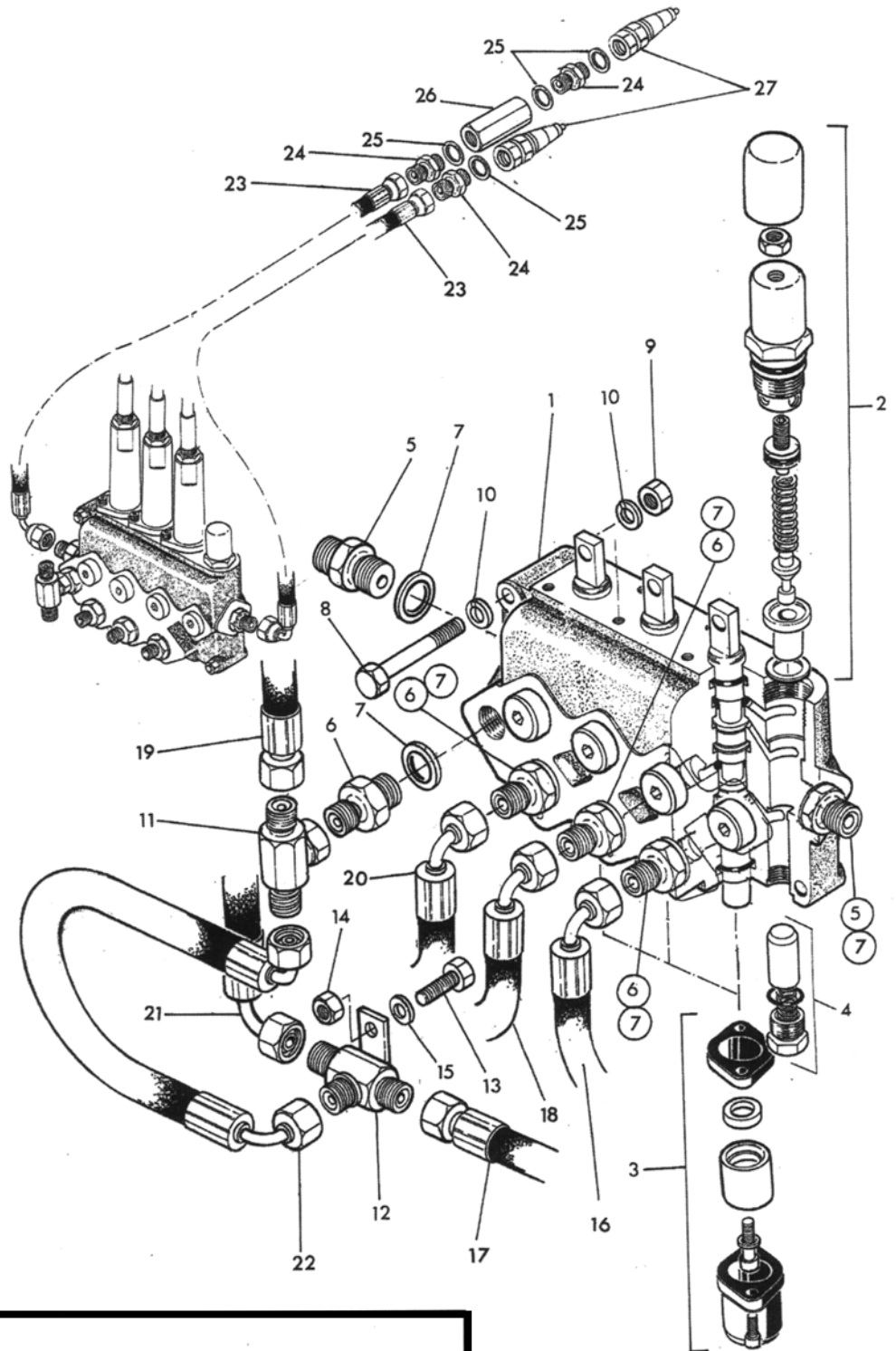
WHEEL ASSEMBLY

REF.	PART No.	ENGLISH DESCRIPTION	GERMAN DESCRIPTION	DANISH DESCRIPTION
1	6770582	Hub c/w stub axle	Nabe Kpl.	Nav kpl.
2	6770581	Hub	Nabe	Nav
3	4770660	Inner bearing	Innen Lager	Inderste leje
4	4770659	Outer bearing	Aussen Lager	Yder leje
5	4770661	Seal	Dichtung	Tætning
6	6770583	Castle nut	Kronen Mutter	Kronmøtrik
7	6770584	Split pin	Splint	Split
8	6770580	Hub cap	Nabe Deckel	Navlæg
9	6770579	Stud	Bolz	Bolt
10	6770578	Wheel nut	Rad Mutter	Hjul møtrik
11	6550141	Complete wheel – Turf	Rad Grass Kpl.	Hjul Græs kpl.
	6550142	Complete wheel - Road	Rad Strassen Kpl.	Hjul Vej kpl.



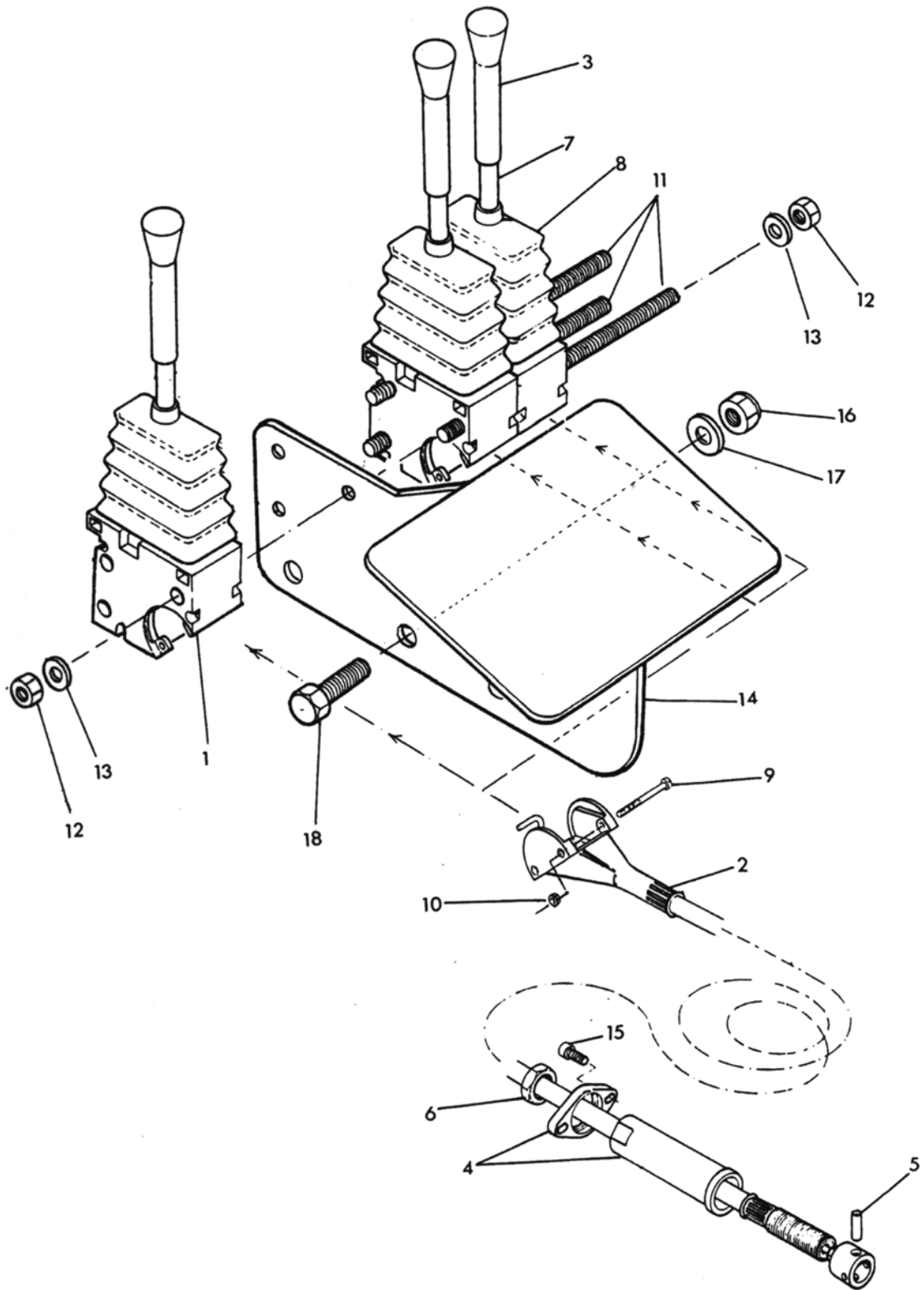
HYDRAULIC RAM ASSEMBLIES

REF.	PART No.	ENGLISH DESCRIPTION	GERMAN DESCRIPTION	DANISH DESCRIPTION
1	3580657	Ram – Wing	Zylinder Flügel	Cylinder Sidefløj
2	3570664HP	Seal kit	Dichtungssatz	Pakningssæt
3	4600414	Bush	Buchse	Bøsning
4	4600412	Bush	Buchse	Bøsning
5	3580656	Ram	Zylinder Mitte	Cylinder Midter
6	3570666HP	Seal kit	Dichtungssatz	Pakningssæt
7	4600400	Bush	Buchse	Bøsning
8	4600400	Bush	Buchse	Bøsning
9	2770468	Grease nipple	Schmiernippel	Smørenippel
10	3360080	Adaptor	Adaptor	Adaptor
11	3260070	Bonded seal	Dichtungsring	Tætningsring
12	3600118	Valve	Ventil	Ventil
	3570659	Breather	Entlüftung	Udluftning
	3600120	Tap	Hahn	Hane



AUXILIARY VALVE ASSEMBLY

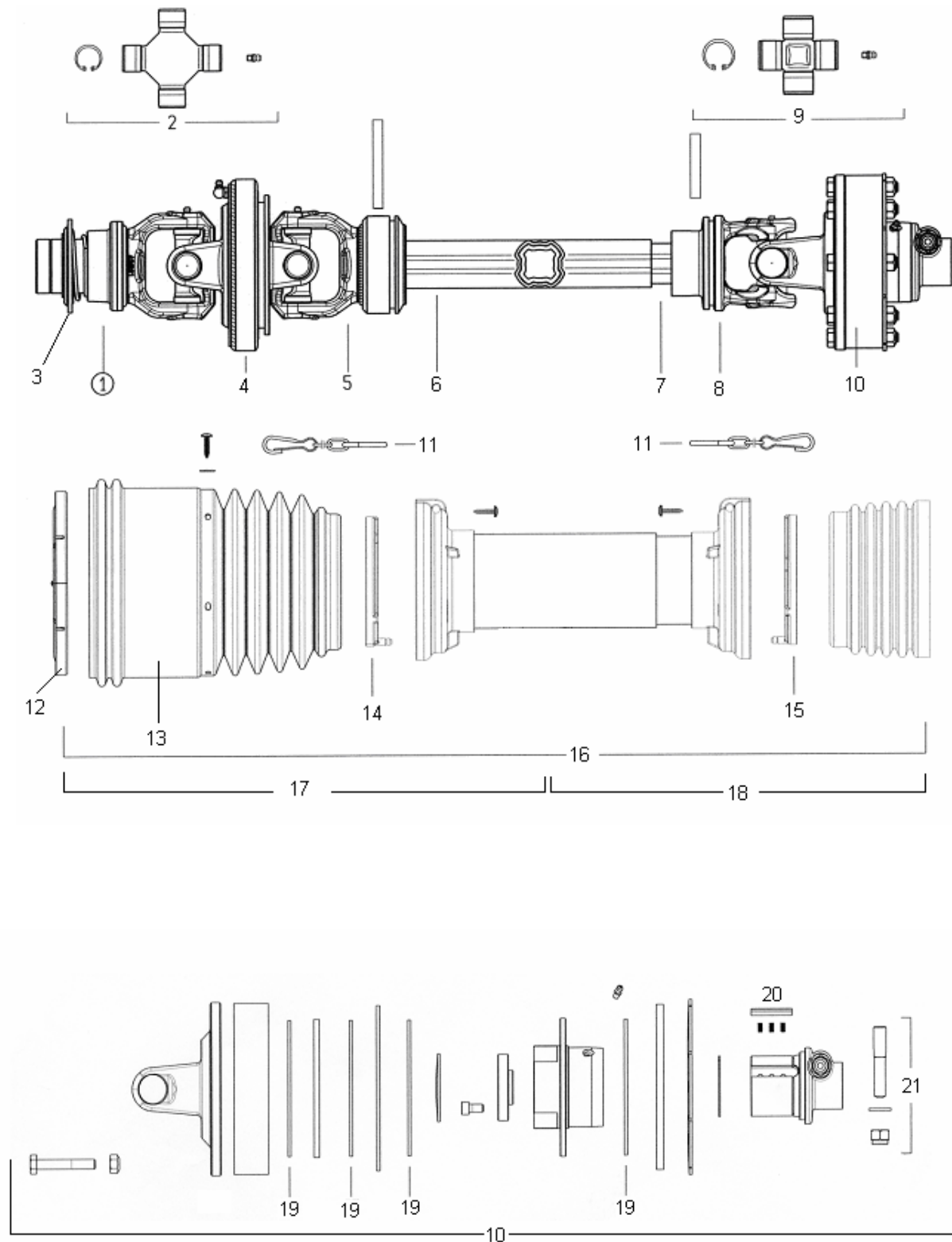
REF.	PART No.	ENGLISH DESCRIPTION	GERMAN DESCRIPTION	DANISH DESCRIPTION
1	3600097	Spool block	Ventilblock	Ventilblok
	3600097/1	Spool		
2	3600093	Relief valve cartridge	Überdrücksventil	Overtryksventil
3	3610014	Spring kit	Federsatz	Fjedersæt
4	3610002	Valve kit	Ventilsatz	Ventilsæt
5	3360086	Adaptor	Adaptor	Adaptor
6	3360098	Restrictor	Drossel	Drossel
7	3260071	Seal	Dichtung	Tætning
8	2770430	Bolt	Bolz	Bolt
9	2770412	Nut	Mutter	Møtrik
10	2770442	Spring washer	Scheibe	Skive
11	3460101	T' Adaptor	T' Adaptor	T' Adaptor
12	3460100	Adaptor	Adaptor	Adaptor
13	2770415	Bolt	Bolz	Bolt
14	2770412	Nut	Mutter	Møtrik
15	2770433	Spring washer	Scheibe	Skive
16	3760344	Hose	Schlauch	Slange
17	3760345	Hose	Schlauch	Slange
18	3760339	Hose	Schlauch	Slange
19	3760340	Hose	Schlauch	Slange
20	3760342	Hose	Schlauch	Slange
21	3760343	Hose	Schlauch	Slange
22	3760338	Hose	Schlauch	Slange
23	3760341	Hose	Schlauch	Slange
	3760341A	Hose	Schlauch	Slange
24	3360088	Adaptor	Adaptor	Adaptor
25	3260072	Bonded seal	Dichtungsring	Tætningsring
26	3610039	Non return valve	Rückschlagventil	Kontraventil
27	3750153	Quick release coupling	Schnellwechsler	Lynkobling



CONTROL LEVER ASSEMBLY

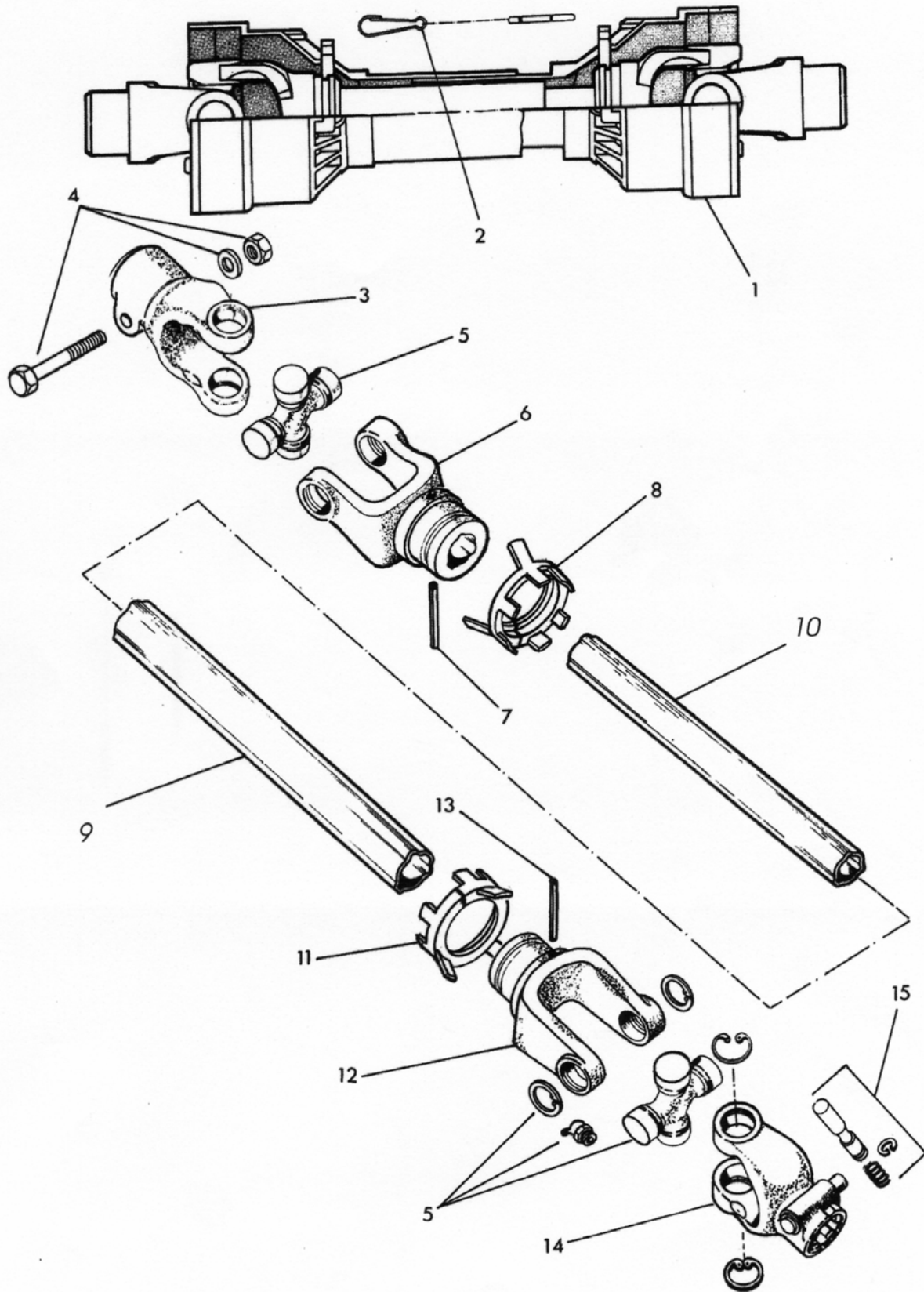
REF.	PART No.	ENGLISH DESCRIPTION	GERMAN DESCRIPTION	DANISH DESCRIPTION
1	3910305	Lever & cable assembly	Griff und Kabel Kpl.	Håndtag & kabel kpl.
2	3910307	Cable – 4m	Kabel 4 m	Kabel 4 m
3	3910314	Black cover	Schwartz Plastick	Sort Plastik
4	3910319	Cable support – spool valve	Kabel Justierung	Kabel justering
5	3910322	Cable pin	Lock Splint	Låsestift
6	2770449	Nut	Mutter	Møtrik
7	3910316	Lever	Hebel	Håndtag
8	3910315	Rubber cover	Gummi	Gummi bælg
9	2770252	Bolt Nut	Bolz Mutter	Bolt Møtrik
10	2770251	Nylock nut	Mutter	Møtrik
11	2770576	Bolt	Bolz	Bolt
12	2770373	Nut	Mutter	Møtrik
13	2771408	Washer	Scheibe	Skive
14	1777073	Control bracket	Platte	Plade
15	1770243	Cap bolt	Imbussschraube	Unbraco skrue
16	2770417	Nut	Mutter	Møtrik
17	2770436	Washer	Scheibe	Skive
18	2770484	Set screw	Bolz	Bolt

INPUT PTO DRIVESHAFT



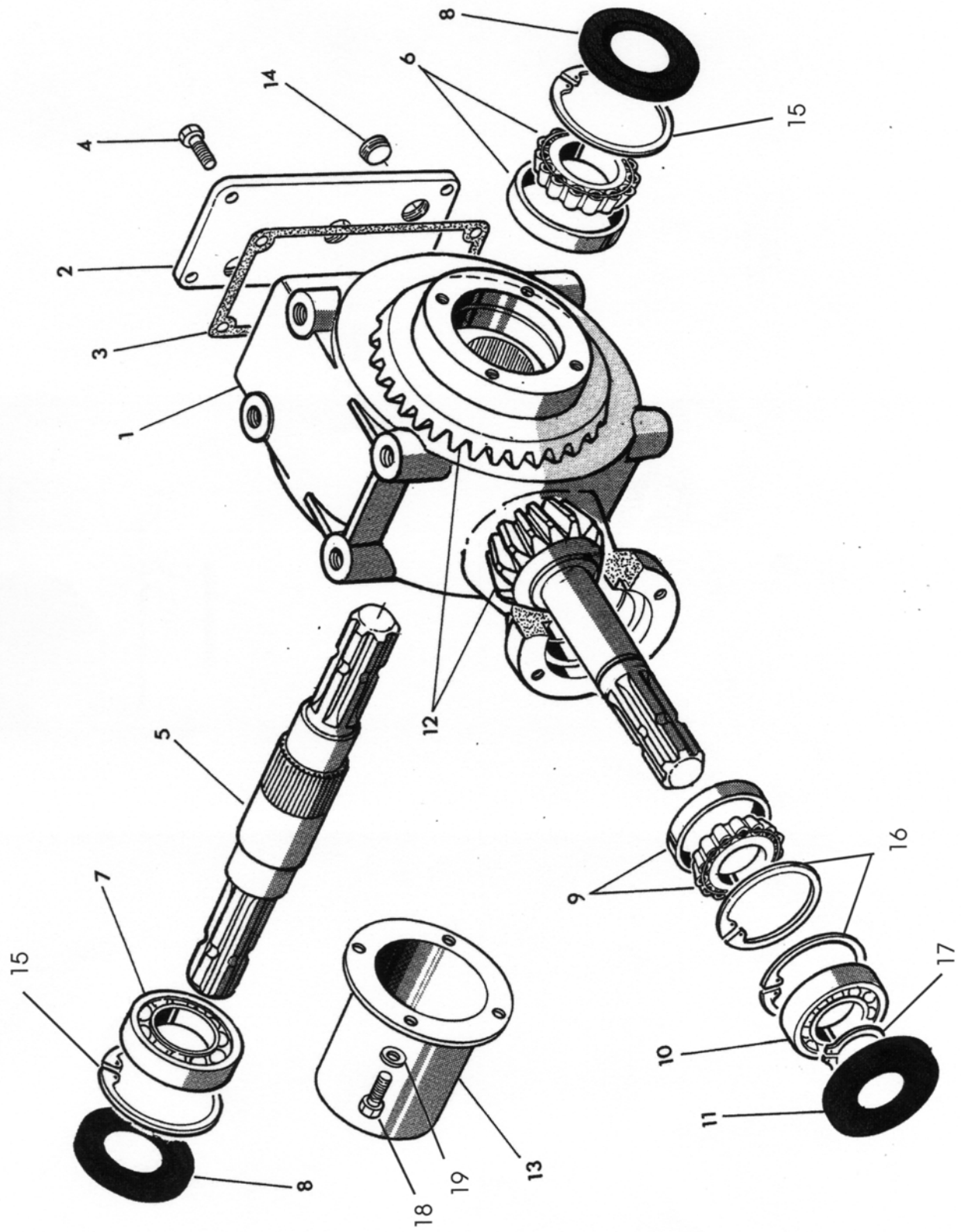
INPUT PTO DRIVESHAFT

REF.	PART No.	ENGLISH DESCRIPTION	GERMAN DESCRIPTION	DANISH DESCRIPTION
	5790650	P.T.O assembly	Gelenkwelle Kpl.	Kardan kpl.
1	5790646/1	Yoke 6 spline	Gabel 6 nut	Gaffel 6 spline
2	5792146/2	Cross journal	Kreuz	Kryds
3	5771024A	Release ring	Freimachungs Ring	Frigørelsesring
4	5792146/4	Centre body	Mitte Körper	Midter krop
5	5792146/3	Yoke	Gabel	Gaffel
6	5792146/5	External tube	Rohr Aussen	Rør udvendigt
7	5792146/6	Inner tube	Rohr Innen	Rør indvendigt
8	5792146/7	Yoke	Gabel	Gaffel
9	5792146/9	Cross journal	Kreuz	Kryds
10	5790650/1	Overrun clutch assy.	Überbelastungs -Kupplung	Overbelastnings-kobling
11	5792146/13	Chain	Kette	Kæde
12	5792146/20	Bearing ring	Lager	Leje
13	5792146/10	Guard	Schutz	Beskyttelse
14	5792146/11	Outer bearing ring	Lager Aussen	Leje yder
15	5792146/12	Inner bearing ring	Lager Innen	Leje inderst
16	5792146/19	Complete guard	Schutz Kpl.	Beskyttelse kpl.
17	5792146/17	Half guard	Schutz Nicht Lieferbar	Beskyttelse N.A
18	5792146/18	Half guard	Schutz	Beskyttelse N.A
19	5772317	Friction disk	Reibscheibe	Koblingsbelægning
20	5770127A	Pawl	Pal	Pal
21	5771322B	Taper pin	Lock Bolz	Låsebolt



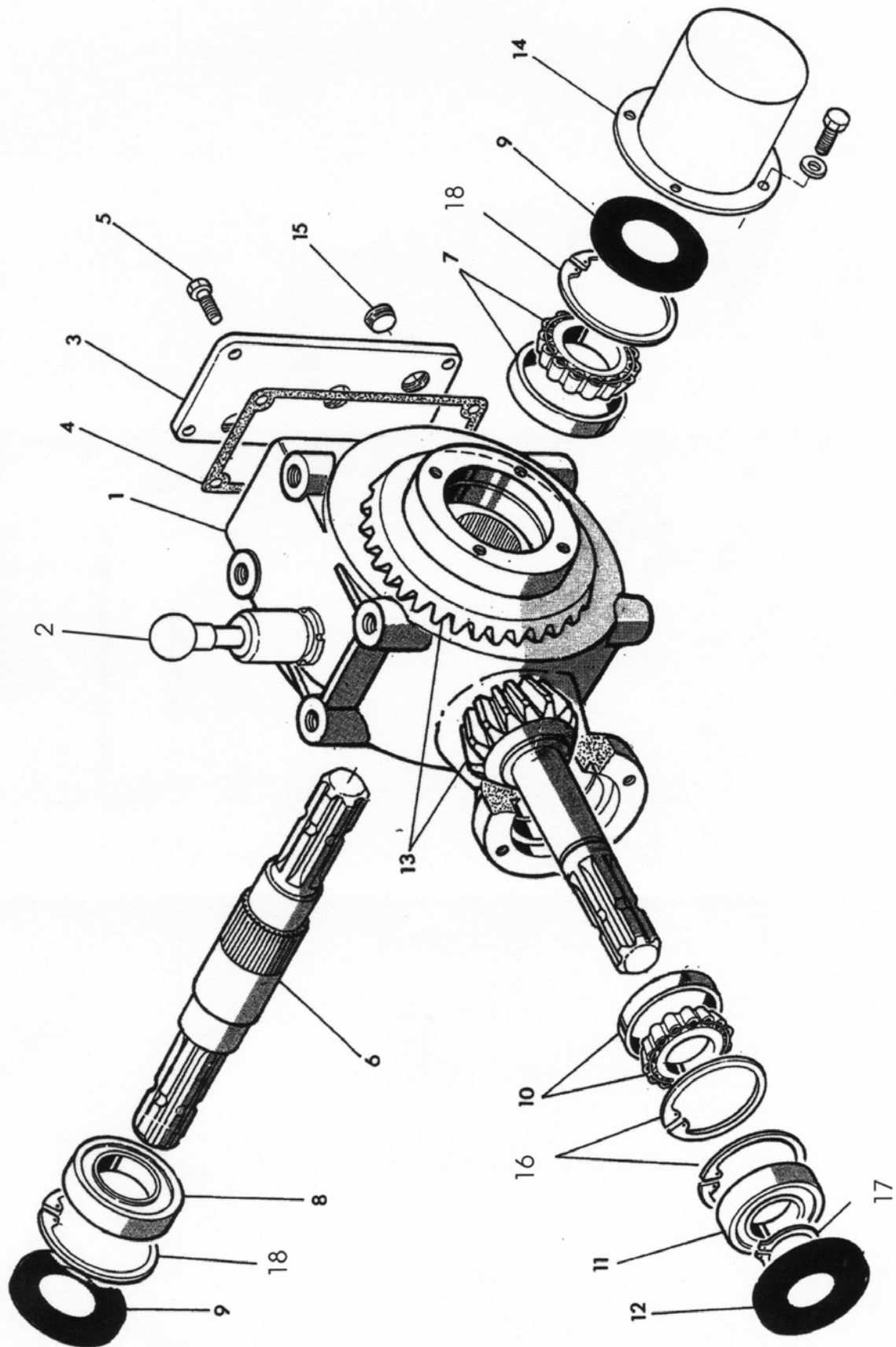
WING PTO SHAFT ASSEMBLY

REF.	PART No.	ENGLISH DESCRIPTION	GERMAN DESCRIPTION	DANISH DESCRIPTION
	5770125	Rear P.T.O. shaft assembly	Gelenkwelle Kpl. Hintensektion	Kardan kpl. Bagsektion
	5770126	Wing P.T.O. shaft assembly	Gelenkwelle Kpl. Seitensektion	Kardan kpl. Sidesektion
1	5772256	Cover P.T.O. cover	Schutz Kpl.	Beskyttelse kpl.
2	5771020	Retaining chain	Kette	Kæde
3,4	5772271	Outer profile yoke	Gabel	Gaffel
5	5770113	Cross journal	Kreuz	Kryds
6	5772273	Inner tube yoke	Gabel Innen	Gaffel inderst
7	5772274	Roll pin	Splint	Rørstift
8	5772257	Inner guard bearing	Lager Innen	Leje inderst
9	5772270	Outer profile tube	Profil Rohr Aussen	Profilrør yderst
10	5772269	Inner profile tube	Profil Rohr Innen	Profilrør inderst
11	5772258	Outer guard bearing	Lager Aussen	Leje yderst
12	5772274	Outer tube yoke	Gabel Aussen	Gaffel yderst
13	2770515	Roll pin	Splint	Rørstift
14	5770112	6 spline yoke	Gabel 6 nut	Gaffel 6 spline
15	5771023	Complete push button	Drückknopf Kpl.	Trykknop kpl.



GEARBOX ASSEMBLY

REF.	PART No.	ENGLISH DESCRIPTION	GERMAN DESCRIPTION	DANISH DESCRIPTION
1	5770028	Gearbox assembly	Getriebe Kpl.	Gearkasse kpl.
2	5777201	Cover	Deckel	Låg
3	N/A	-	-	-
4	2770402	Cover bolt	Deckel Bolz	Bolt til låg
5	5777202	Shaft	Welle	Aksel
6	4777205	Bearing	Lager	Leje
7	4771620	Bearing	Lager	Leje
8	4771506	Oil seal	Öldichtung	Olietætning
9	4777201	Bearing	Lager	Leje
10	4771600	Bearing	Lager	Leje
11	4771124	Oil seal	Öldichtung	Olietætning
12	5777209	Gearwheel & pinion	Ritzel und Ritzelwelle	Krone / Spidshjul
13	1777602	Rear shaft guard	Welle Schutz	Akselbeskyttelse
14	5777208	Plug	Ablassschraube	Aftapningsskrue
15	2771129	Circlip	Lockring	Låsering
16	2771108	Circlip	Lockring	Låsering
17	2771107	Circlip	Lockring	Låsering
18	2770407	Bolt	Bolz	Bolt
19	2770434	Washer	Scheibe	Skive



WING GEARBOX

REF.	PART No.	ENGLISH DESCRIPTION	GERMAN DESCRIPTION	DANISH DESCRIPTION
1	5770032	Gearbox assembly	Getriebe Kpl.	Gearkasse kpl.
2	5772330	Lever	Hebel Kpl.	Håndtag kpl.
3	5777201	Cover	Deckel	Låg
4	N/A	-	-	-
5	2770402	Cover bolt	Deckel Bolz	Bolt til låg
6	5777202	Shaft	Welle	Aksel
7	4777205	Bearing	Lager	Leje
8	4771620	Bearing	Lager	Leje
9	4771506	Oil seal	Öldichtung	Olietætning
10	4777201	Bearing	Lager	Leje
11	4771600	Bearing	Lager	Leje
12	4771124	Oil seal	Öldichtung	Olietætning
13	577209A	Gear wheel & pinion	Ritzel und Ritzelwelle	Krone / Spidshjul
14	1777602	Rear shaft guard	Welle Schutz	Akselbeskyttelse
15	5777208	Plug	Ablassschraube	Aftapningsskrue
16	2771108	Circlip	Lockring	Låsering
17	2771107	Circlip	Lockring	Låsering
18	2771129	Circlip	Lockring	Låsering



1



2



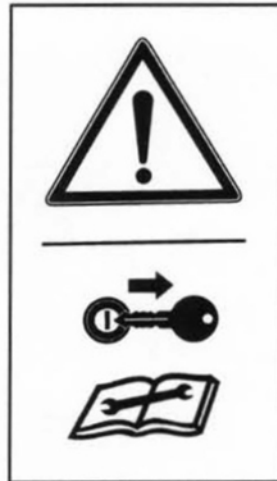
3



4



5



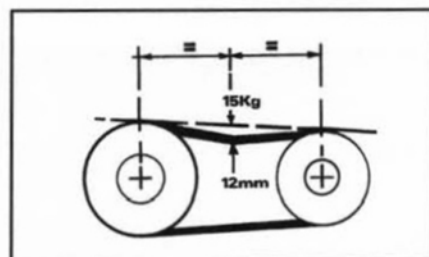
6



7



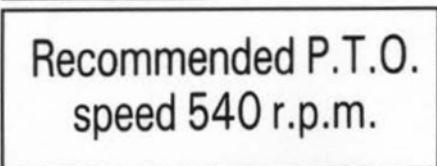
8



9



10



11



12

SAFETY & INFORMATION DECALS

REF.	PART No.	ENGLISH DESCRIPTION	GERMAN DESCRIPTION	DANISH DESCRIPTION
1	8770360	Sticker	Aufkleber	-
2	8770355	Sticker	Aufkleber	-
3	8770368	Sticker	Aufkleber	-
4	8770357	Sticker	Aufkleber	-
5	8770356	Sticker	Aufkleber	-
6	8770358	Sticker	Aufkleber	-
7	8770363	Sticker	Aufkleber	-
8	8770340	Sticker	Aufkleber	-
9	8770305	Sticker	Aufkleber	-
10	8770306	Sticker	Aufkleber	-
11	8770341	Sticker	Aufkleber	-
12	8770322	Sticker	Aufkleber	-



McConnel Limited, Temeside Works, Ludlow, Shropshire SY8 1JL. England.
Telephone: 01584 873131. Facsimile: 01584 876463. www.mcconnel.com