

Publication 437(PM)
August 2003
Part No. 41570.37
Revision: 13.07.20

SHAKAERATOR

Standard, Compact, Grassland & Folding Models



Parts Manual





For best performance ...

USE ONLY GENUINE McCONEL SERVICE PARTS

*To be assured of the latest design improvements purchase your
'Genuine Replacements' from the 'Original Equipment Manufacturer'*

McCONEL LIMITED

Through your local Dealer or Stockist

Always quote:

- ***Machine Type***
- ***Serial Number***
- ***Part Number***

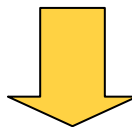
*Design improvements may alter some of the parts listed in this manual –
the latest part will always be supplied when it is interchangeable with an earlier one.*



McConnel Generic Parts Manual

Generic parts manuals should be used as a general guide to the components used on the machine; to ensure accurate parts information for a specific machine please refer to the 'Interactive Parts Database' on our website which identifies the exact components used on the machine when it was manufactured based on the machine's unique serial number.

Direct access can be gained using the web address or QR code below.
<http://www.mcconnel.com/support/product-support/interactive-parts-database/>



Design improvements may have altered some of the parts listed in this manual; latest parts will always be supplied if they are interchangeable with earlier ones.

CONTENTS – Standard & Compact Models

Standard Models	1
2.0M Frame Assembly	2
2.5M & 3.0M Frame Assemblies	4
3.7M & 4.5M Frame Assemblies	6
Leg Assemblies ('Knock On' Point Type)	8
Leg Assemblies (Slipper Point Type)	10
540RPM Through Drive Assembly	12
1000RPM Through Drive Assembly	14
Wheel & Arm Kit	16
Linkage Kit	18
Linkage Assister Ram Kit	21
Linkage Ram Assembly	22
3.7M & 4.5M Oxford Rollers	23
2.5M & 3.0M Rollers	24
2.5M & 3.0M Packer Rollers – <i>Early Builds</i>	26
2.5M & 3.0M Packer Rollers – <i>Current Builds</i>	28
3.7M Packer Roller	30
2.0M Grassland Roller Kit	32
Grass Disc Assembly	34
Compact Models	37
3.0M & 4.0M Compact Frame Assembly	38
Hydraulic Shakerbox Assembly	40
Motor Assembly & Flow Control Kit (Early Type)	42
Motor Assembly	44
Flow Control Kits (Later Type)	45
Leg Assemblies ('Knock On' Point Type)	46
Leg Assemblies (Slipper Point Type)	48
Land Wheel Assembly (4.0M Models)	50

CONTENTS – Grassland & Folding Models

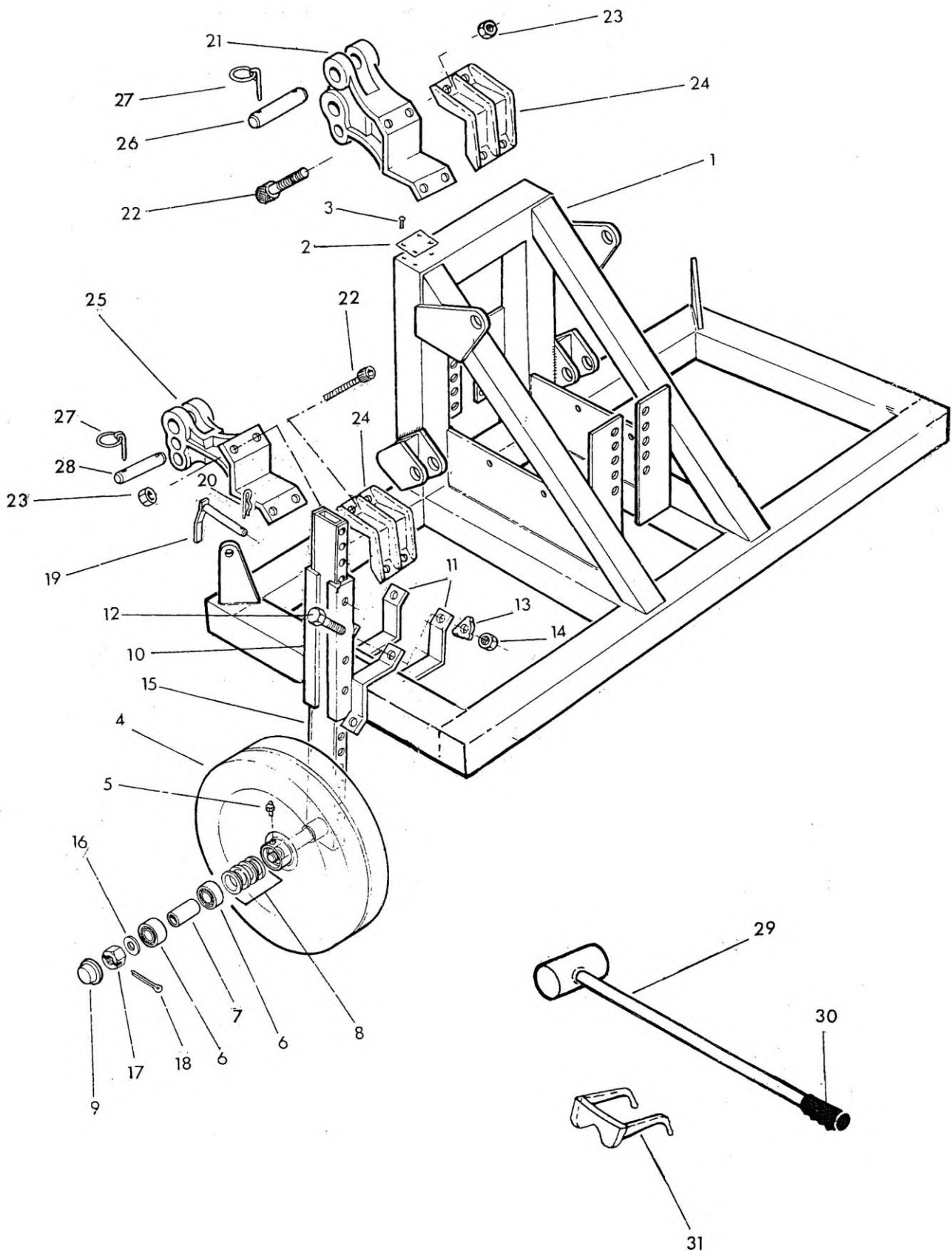
Grassland Models	53
2.0M Grassland Frame Assembly	54
2.5M Grassland Frame Assembly	55
2.0M Grassland Roller Assembly	56
2.5M Grassland Roller Assembly	57
540RPM Through Drive Assembly	58
1000RPM Through Drive Assembly	60
Grass Disc Assembly	62
Leg Assemblies (Slipper Point Type)	64
Mechanical Breakback Leg Assemblies	66
Auto-Reset Leg Assembly	68
Hydraulic Breakback Leg Assemblies	70
Hydraulic Installation (2 & 4 Leg Builds)	72
Displacement Cylinder Assembly	74
Folding Models	75
Main Frame Assembly (Mk1)	76
Main Frame Assembly (Mk2)	78
Wing Assembly	80
Hydraulic Latch Assembly	82
Hydraulic Shakerbox Assembly	84
Motor Assembly & Flow Control Kit (Early Type)	86
Motor Assembly	88
Flow Control Kits (Later Type)	89
Hydraulic Installation	90
Hydraulic Ram Assembly	92
2.0M Roller Assembly	94
2.5M Roller Assembly	96
2.5M Close Coupling Roller Assembly	98
2.5M DD Ring Roller Assembly	100
Leg Assemblies (Slipper Point Type)	102
Lighting & Protector Kits (Early Models)	104
Lighting & Protector Kits (Later Models)	106

Standard Models

2.0M FRAME ASSEMBLY

Module(s): 1065688

McCONNEL



2.0M FRAME ASSEMBLY

McCONNEL

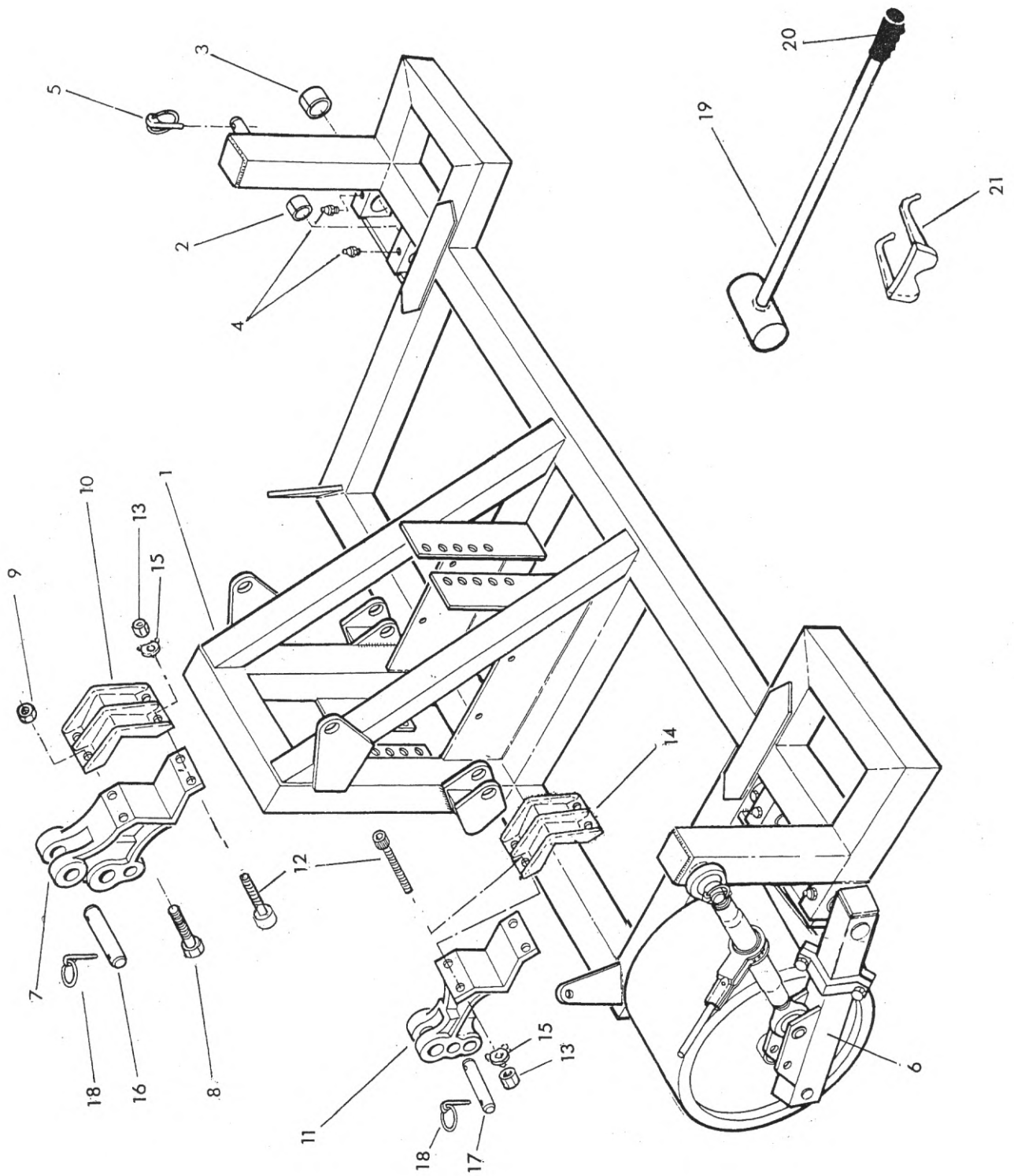
Module(s): 1065688

REF.	QTY.	PART No.	DESCRIPTION
		1065688	2.0 METRE FRAME ASSEMBLY
1	1	1065689	FRAME
2	1	1335246	SERIAL No. PLATE
3	4	2800020	POP RIVET
		1065337	WHEEL KIT - <i>comprising of:</i>
4	2	1065309	WHEEL
5	2	1065037	GREASER
6	4	0603230	BEARING
7	2	1065034	BEARING SPACER
8	2	1065035	SEAL ASSEMBLY
9	2	1065036	HUB CAP
10	2	1065293	LEG CHANNEL
11	4	1065030	LEG CLAMP
12	8	0200009	SPECIAL BOLT
13	8	1065013	SPECIAL WASHER
14	8	0141006	SELF-LOCKING NUT
15	2	1065291	WHEEL SUPPORT
16	2	0100107	PLAIN WASHER
17	2	0181007	SLOTTED NUT
18	2	0503125	SPLIT PIN
19	2	1065033	LEG PIN
20	1	0431105	SPRING COTTER
21	1	1065584	TOP HITCH BRACKET
22	12	0200012	BOLT
23	12	0141007	SELF-LOCKING NUT
24	3	1065276	CLAMP
25	2	1065686	BOTTOM HITCH BRACKET
26	1	1065027	TOP LINK PIN
27	4	0431217	LINCH PIN
28	2	1065020	DRAFT LINK PIN
29	1	1065518	HAMMER
30	1	1065173	MOULDED GRIP
31	1	1065246	SAFETY GLASSES

2.5M & 3.0M FRAME ASSEMBLIES

Module(s): 1065436, 1065437

McCONNEL



2.5M & 3.0M FRAME ASSEMBLIES

McCONNEL

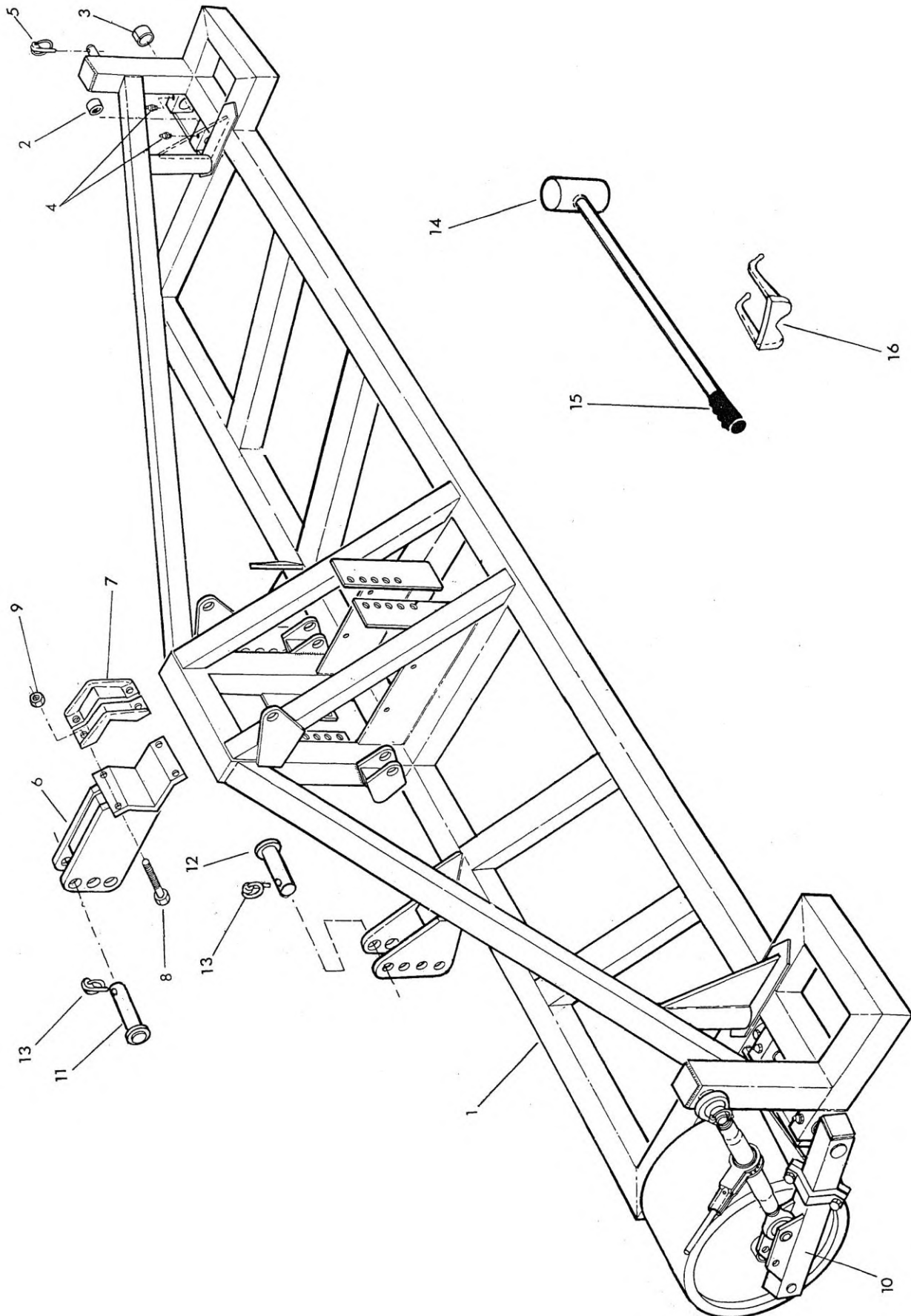
Module(s): 1065436, 1065437

REF.	QTY.	PART No.	DESCRIPTION
		10 65 436	2.5 METRE FRAME ASSEMBLY
		10 65 437	3.0 METRE FRAME ASSEMBLY
1	1	1065476	FRAME - 2.5m
	1	1065477	FRAME - 3.0m - <i>not illustrated</i>
2	2	7213023	BUSH
3	2	1065181	BUSH
4	4	0901121	GREASER
5	2	0431217	LINCH PIN
6	1	1065795	LAND WHEEL KIT
7	1	1065787	TOP HITCH BRACKET
8	2	0211209	BOLT
9	2	0141009	SELF-LOCKING NUT
10	1	1065788	CLAMP TOP HITCH
11	2	1065686	LOWER HITCH BRACKET
12	10	0341207	BOLT
13	10	0141007	SELF-LOCKING NUT
14	2	1065276	CLAMP PLATE - LOWER HITCH
15	10	1065014	SPECIAL WASHER
16	1	1065027	TOP LINK HITCH PIN - CAT. II
17	2	1065020	DRAFT LINK HITCH PIN - CAT. II
18	6	0431217	LINCH PIN
19	1	1065518	HAMMER
20	1	1065173	MOULDED GRIP
21	1	1065426	SAFETY GLASSES

3.7M & 4.5M FRAME ASSEMBLIES

McCONNEL

Module(s): 1065438, 1065550



3.7M & 4.5M FRAME ASSEMBLIES

McCONNEL

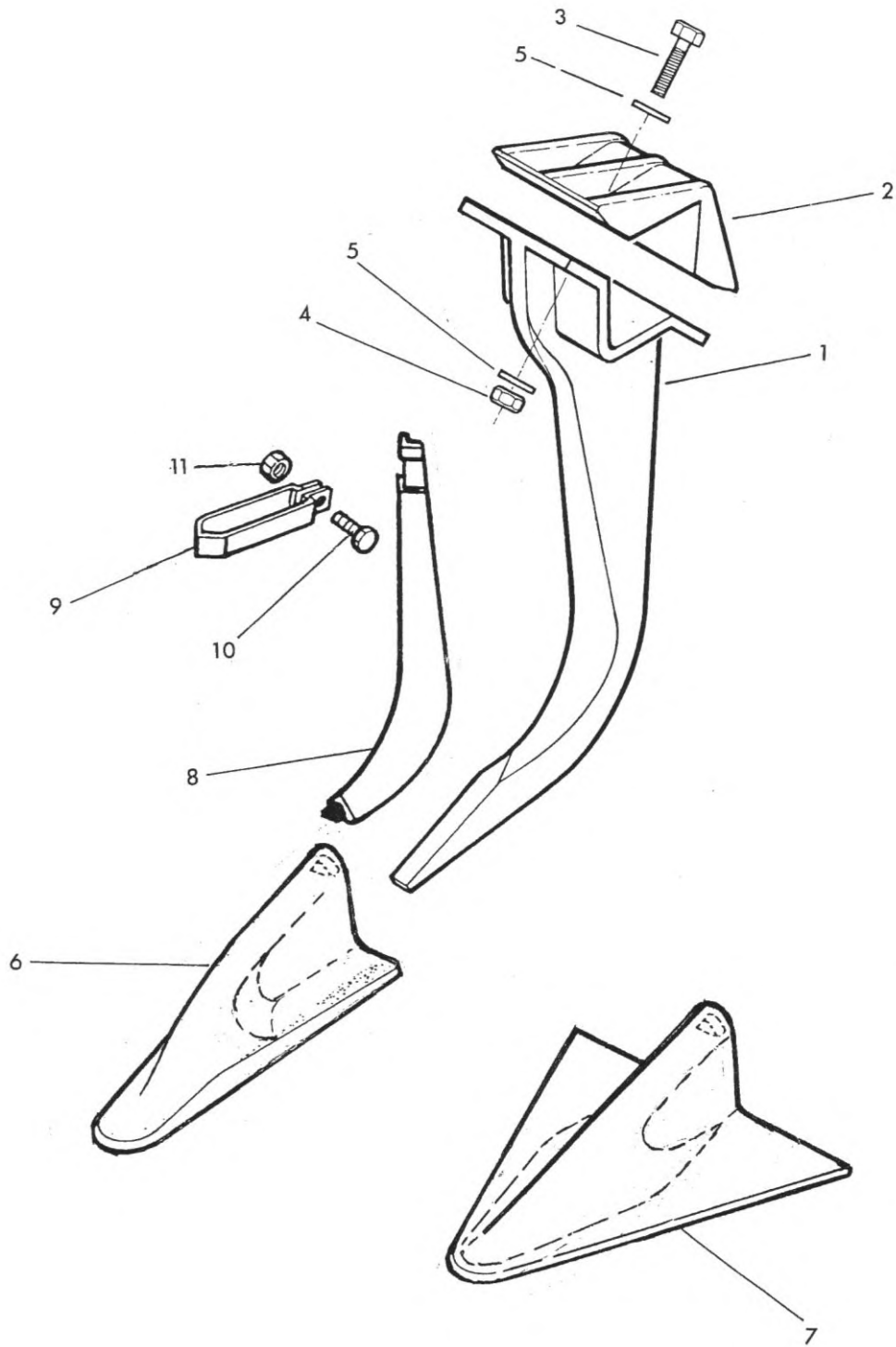
Module(s): 1065438, 1065550

REF.	QTY.	PART No.	DESCRIPTION
		1065438	4.5 METRE FRAME ASSEMBLY
		1065550	3.7 METRE FRAME ASSEMBLY
1	1	1065478	FRAME - 4.5M
	1	1065552	FRAME 3.7M - <i>not illustrated</i>
2	2	7213023	BUSH
3	2	1065181	BUSH
4	4	0901121	GREASER
5	2	0431217	LINCH PIN
6	1	1065484	TOP HITCH BRACKET
7	2	1066046	TOP HITCH BRACKET CLAMP
8	4	9200022	BOLT
9	4	9163008	SELF-LOCKING NUT
10	1	1065975	LAND WHEEL KIT
11	1	1066141	TOP LINK PIN - CAT. 3
12	2	1066140	DRAFT LINK PIN - CAT. 3
13	3	0431216	LINCH PIN
14	1	1065518	HAMMER
15	1	1065173	MOULDED GRIP
16	1	1065426	SAFETY GLASSES

LEG ASSEMBLIES (KNOCK ON POINT TYPE)

McCONNEL

Module(s): 1065799, 1065798

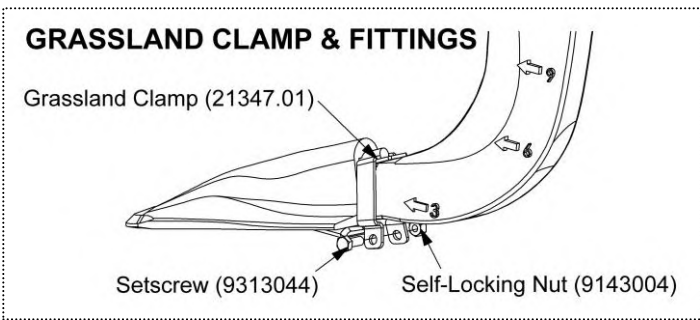
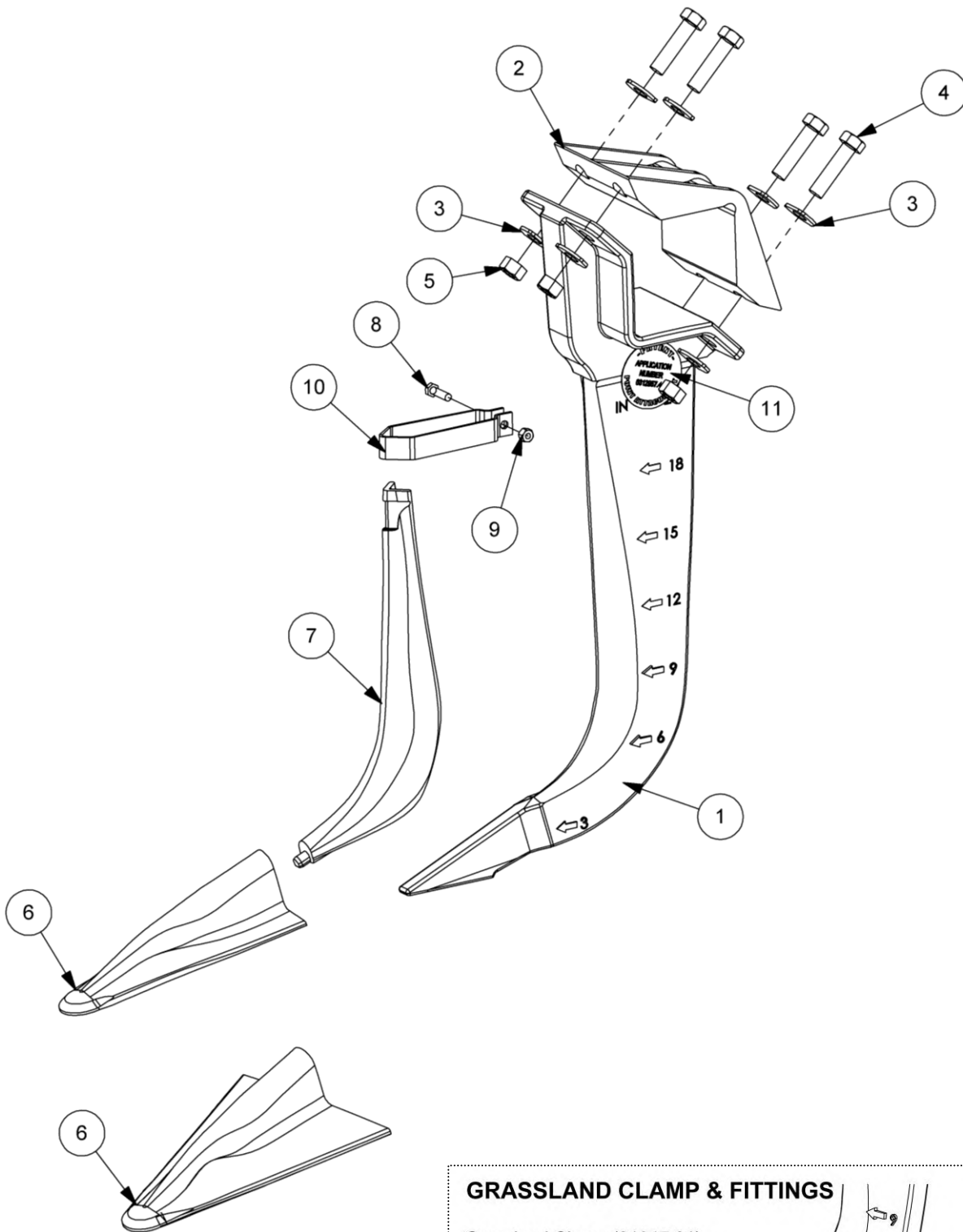


LEG ASSEMBLIES (KNOCK ON POINT TYPE)

McCONNEL

Module(s): 1065799, 1065798

REF.	QTY.	PART No.	DESCRIPTION
		1065799	24" LEG ASSEMBLY - LONGLIFE (KNOCK ON) POINT
		1065798	24" LEG ASSEMBLY - DELTA (KNOCK ON) POINT
		1065327	24" SHANK ASSEMBLY - <i>includes:</i>
1	1	1065275	SHANK
2	1	1065276	CLAMP
3	4	0200020	BOLT
4	4	0111006	NUT
5	8	1065077	SPECIAL WASHER
6	1	1065920	LONGLIFE SUBSOILING POINT (<i>Knock On</i>)
7	1	43076.02	DELTA CULTIVATION POINT (<i>Knock On</i>)
8	1	1065782	WEAR SHIN
9	1	1065248	CLAMP
10	1	9143004	SETSCREW
11	1	9313064	SELF-LOCKING NUT



LEG ASSEMBLIES (SLIPPER POINT TYPE)

McCONNEL

Module(s): 1065831, 1065832

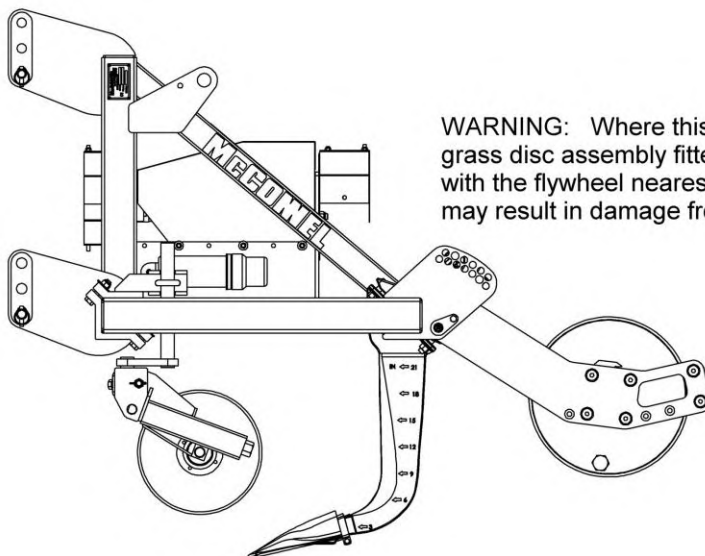
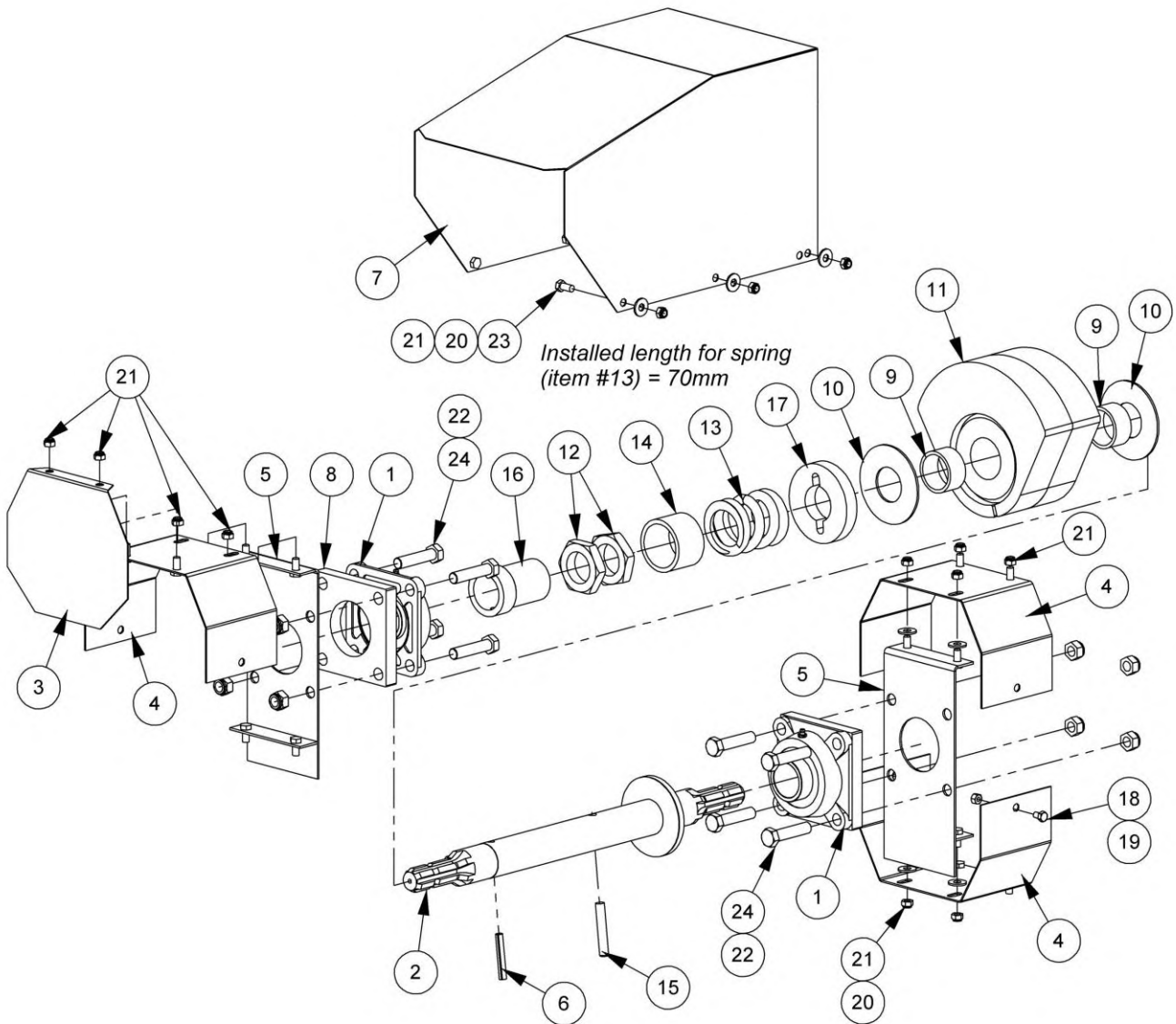
REF.	QTY.	PART No.	DESCRIPTION
		1065831	24" LEG ASSEMBLY - LONGLIFE (SLIPPER) POINT
		1065832	24" LEG ASSEMBLY - DELTA (SLIPPER) POINT
		1065830	24" SHANK ASSEMBLY (<i>Comprises of items 1 - 5</i>)
1	1	43085.04	SLIPPER SHANK CLAMP
2	1	1065276	CLAMP PLATE
3	8	1065077	SPECIAL WASHER
4	4	0200020	SPECIAL BOLT
5	4	0111006	NUT
6	1	1065921	LONGLIFE SLIPPER POINT (<i>Assembly 1065831</i>)
	1	1065922	DELTA SLIPPER POINT (<i>Assembly 1065832</i>)
7	1	10657821	WEAR SHIN
8	1	9313064	SETSCREW
9	1	9143004	SELF-LOCKING NUT
10	1	1065248	CLAMP PRESSING
11	1	21365.03	PATENT DECAL
		1065839	24" LEG ASSEMBLY (GRASSLAND)
		1065830	24" SHANK ASSEMBLY (<i>Comprises of items 1 - 5</i>)
1	1	43085.04	SLIPPER SHANK CLAMP
2	1	1065276	CLAMP PLATE
3	8	1065077	SPECIAL WASHER
4	4	0200020	SPECIAL BOLT
5	4	0111006	NUT
6	1	1065921	LONGLIFE SLIPPER POINT
(●)	1	21347.01	GRASSLAND CLAMP
(●)	1	9313044	SETSCREW
(●)	1	9143004	SELF-LOCKING NUT

For grassland use where shanks are used without wear shins fitted the following items (●) above are required for slipper point attachment (per leg) - see *illustration opposite*

540RPM THROUGH DRIVE ASSEMBLY

McCONEL

Module(s): 1065606



WARNING: Where this unit is attached to a grassland frame with a grass disc assembly fitted directly below it, the unit must be mounted with the flywheel nearest the rear of the frame - failure to observe this may result in damage from the components colliding with each other.

Module(s): 1065606

REF.	QTY.	PART No.	DESCRIPTION
		1065606	540RPM THROUGH DRIVE ASSEMBLY
1	2	0600054	FLANGED BEARING UNIT
2	1	1065585B	DRIVE SHAFT
3	1	1066027	END PLATE
4	3	1065626B	GUARD
5	2	1066026B	GUARD MOUNTING PLATE
6	1	0446165	SPIROL PIN
7	1	1065466	TOP GUARD
8	2	1065532	BEARING PLATE
9	2	6000160	BUSH
10	2	1065135	CLUTCH DISC
11	1	1066280	FLYWHEEL
12	2	1065147	LOCKNUT
13	1	1066015	SPRING
14	1	1065249	SLEEVE
15	1	1065136	DRIVE PIN
16	1	1066014	SLEEVE
17	1	1066050	DRIVE COLLAR (THIN)
18	2	9313024	SETSCREW
19	2	9143004	SELF-LOCKING NUT
20	10	0100103	FLAT WASHER
21	16	0141003	CLEVELOC NUT
22	6	0311063	SCREW
23	8	0141006	CLEVELOC NUT
24	8	0211226	BOLT

*Assemble collar (item 17) with the machined face in contact with the clutch friction disc (item 10).
Bearing flange bolts to be tightened to 2001bs/ft (271Nm). Assemble machined face of bearing
backing plate (item 8) in contact with the bearing flange (item 1).
Peen holes in sleeve (item 16) to retain roll pin securely.*

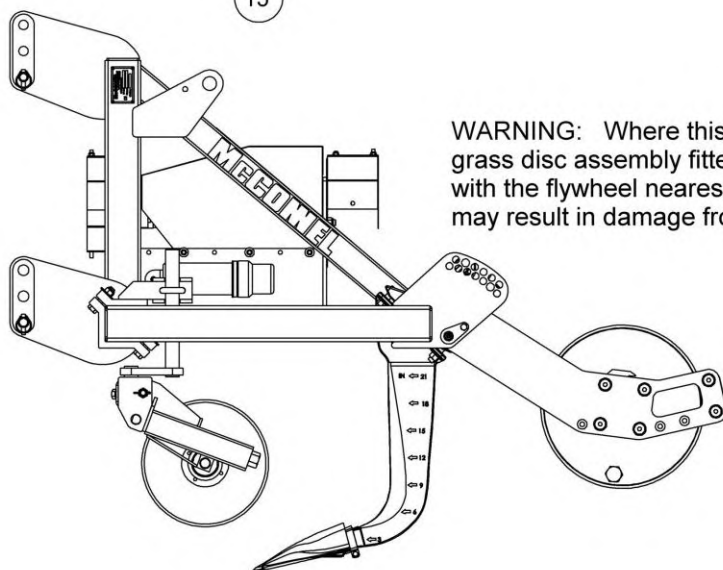
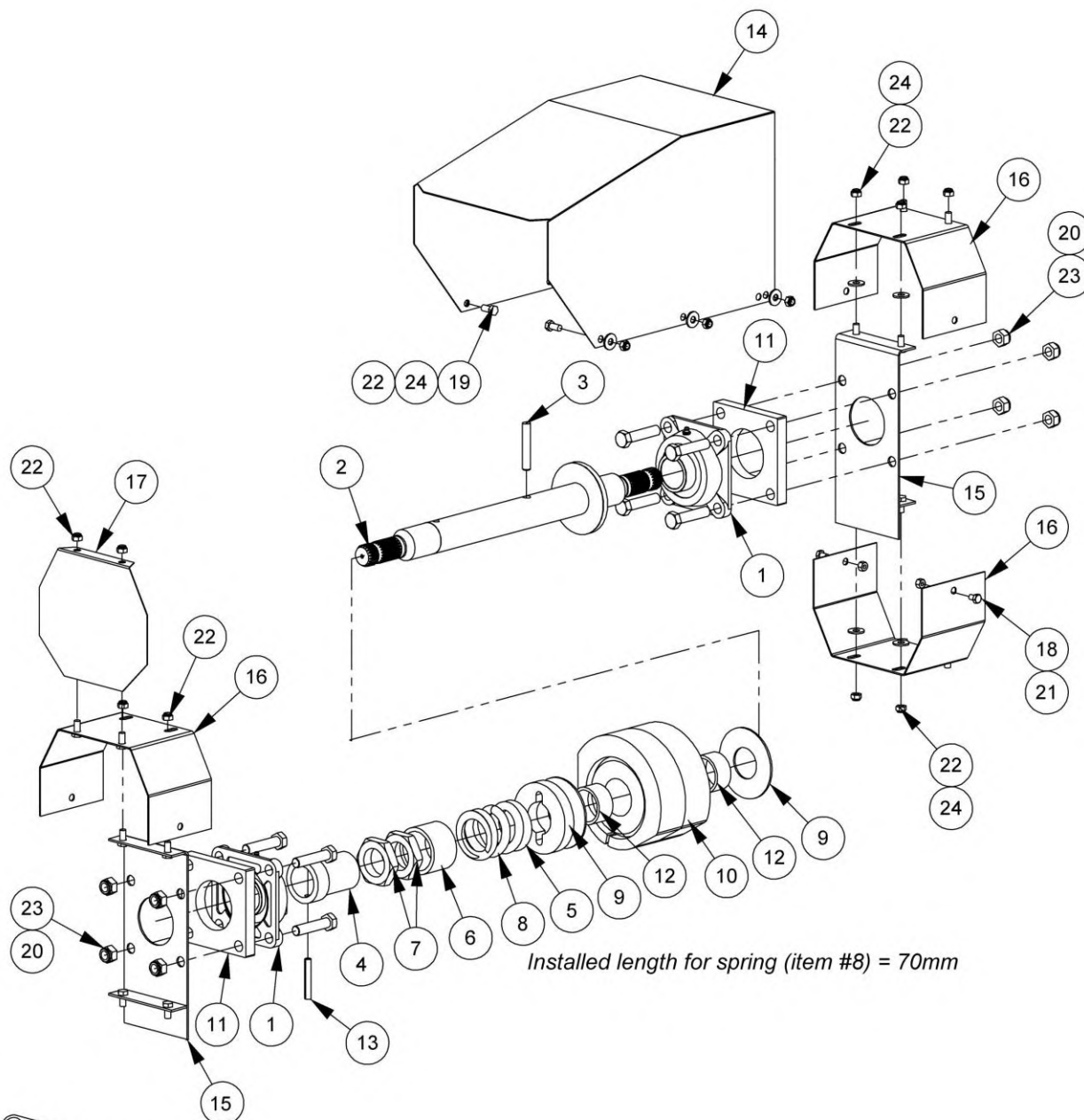
CONVERTION KIT - 540RPM (1065606) TO 21 SPLINE 1000RPM (1065607)

		1065609	540RPM TO 1000RPM CONVERSION KIT
	1	1065666	PTO SHAFT ASSEMBLY - <i>not illustrated</i>
	1	1065586	THROUGH DRIVE SHAFT
	1	1065136	DRIVE PIN
	1	1065457	COUNTERWEIGHT
	4	0242183	SOCKET HEAD CAPSCREW

1000RPM THROUGH DRIVE ASSEMBLY

McCONNEL

Module(s): 1065607 (21 Spline), 1065608 (20 Spline)



WARNING: Where this unit is attached to a grassland frame with a grass disc assembly fitted directly below it, the unit must be mounted with the flywheel nearest the rear of the frame - failure to observe this may result in damage from the components colliding with each other.

1000RPM THROUGH DRIVE ASSEMBLY

McCONNEL

Module(s): 1065607 (21 Spline), 1065608 (20 Spline)

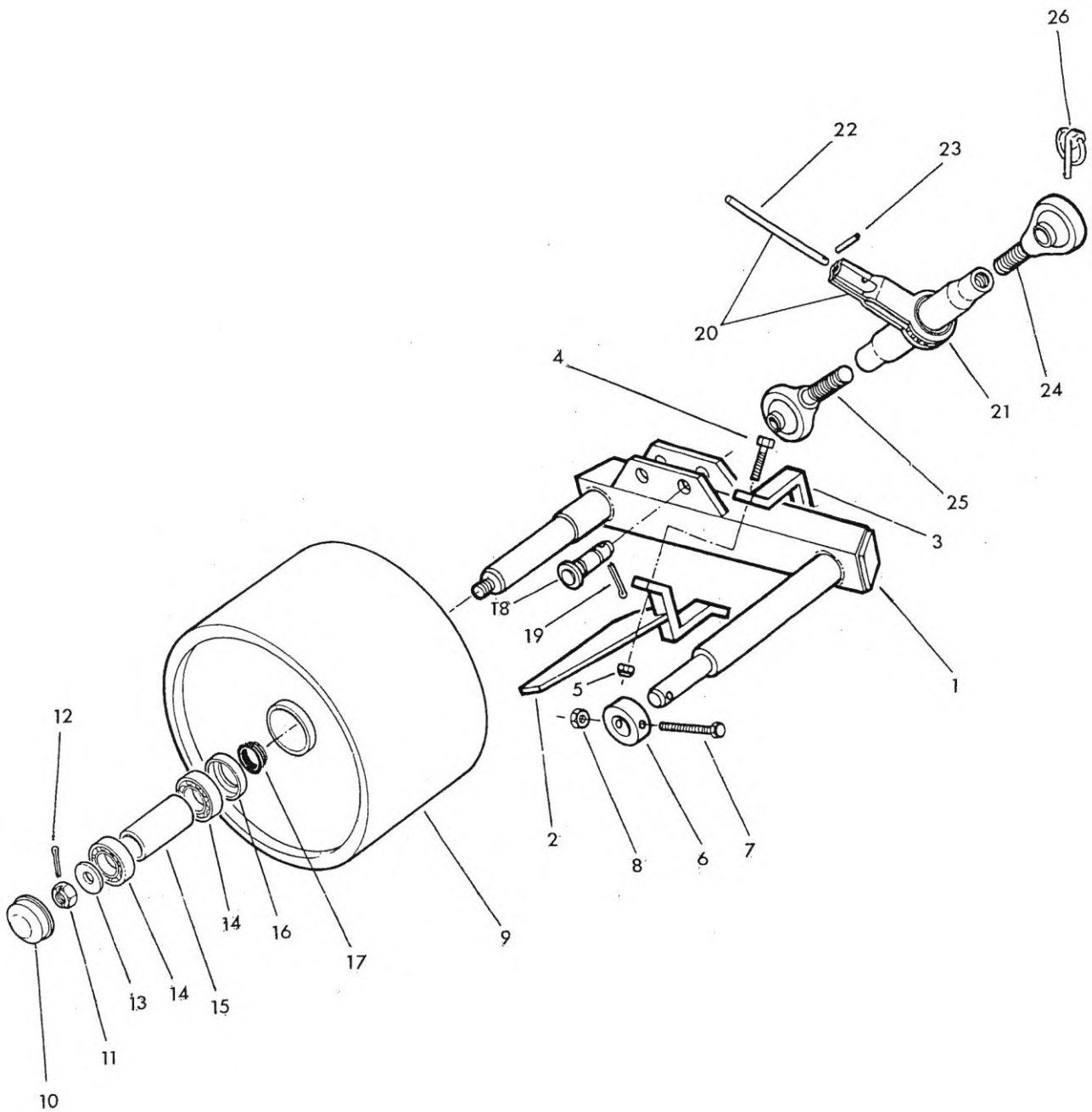
REF.	QTY.	PART No.	DESCRIPTION
		1065607	1000RPM THROUGH DRIVE - 21 SPLINE
		1065608	1000RPM THROUGH DRIVE - 20 SPLINE
1	2	0600054	FLANGED BEARING UNIT
2	1	1065586B	DRIVE SHAFT - 21 SPLINE (1065607 Builds)
	1	1065587	DRIVE SHAFT - 20 SPLINE (1065608 Builds)
3	1	1065136	DRIVE PIN
4	1	1066014	SLEEVE
5	1	1066050	DRIVE COLLAR (THIN)
6	1	1065249	SLEEVE
7	2	1065147	LOCKNUT
8	1	1066015	SPRING
9	2	1065135	CLUTCH DISC
10	1	1066281	FLYWHEEL
11	2	1065532	BEARING PLATE
12	2	6000160	BUSH
13	1	0446165	SPIROL PIN
14	3	1065626B	GUARD
15	2	1066026B	GUARD MOUNTING PLATE
16	1	1065466	TOP GUARD
17	1	1066027	END PLATE
18	2	9313024	SETSCREW
19	2	9143004	SELF-LOCKING NUT
20	10	0100103	FLAT WASHER
21	16	0141000	CLEVELOC NUT
22	6	0311063	SCREW
23	8	0211226	BOLT
24	8	0141006	CLEVELOC NUT

*Assemble collar (item 5) with the machined face in contact with the clutch friction disc (item 9).
 Bearing flange bolts to be tightened to 2001bs/ft (271Nm). Assemble machined face of bearing
 backing plate (item11) in contact with the bearing flange (item 1).
 Peen holes in sleeve (item 4) to retain roll pin securely.*

WHEEL & ARM KIT

Module(s): 1065795

McCONNEL



WHEEL & ARM KIT

McCONNEL

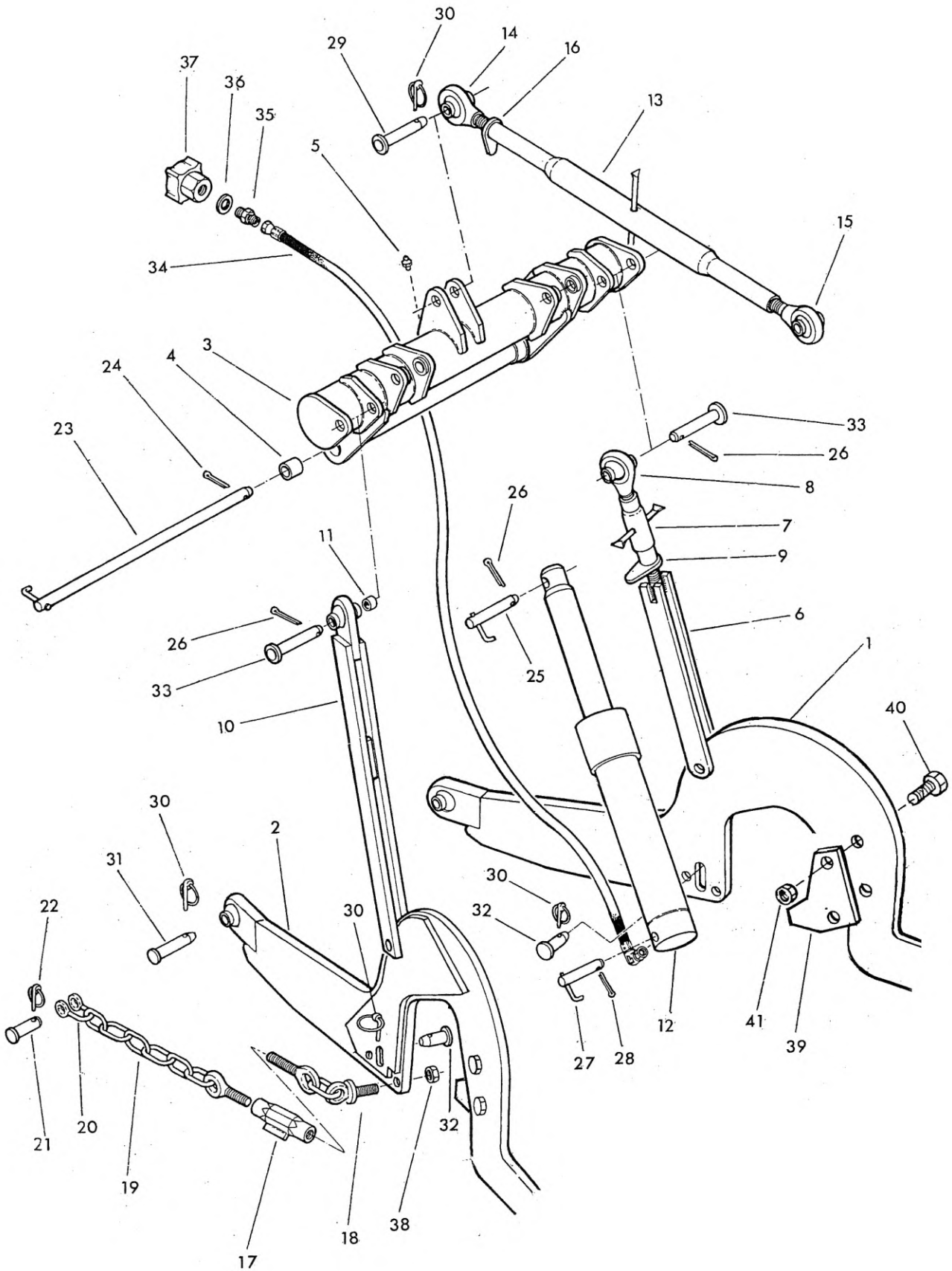
Module(s): 1065795

REF.	QTY.	PART No.	DESCRIPTION
		1065795	WHEEL & ARM ASSEMBLY KIT
		1065505	WHEEL ASSEMBLY - R/H
		1065506	WHEEL ASSEMBLY - L/H
1	1	1065501	WHEEL ARM - R/H
	1	1065502	WHEEL ARM - L/H <i>(not illustrated)</i>
2	1	1065503	SCRAPER - R/H
	1	1065504	SCRAPER - L/H <i>(not illustrated)</i>
3	1	1065030	CLAMP
4	2	0200009	BOLT
5	2	0141006	SELF-LOCKING NUT
6	1	1065211	PIVOT AXLE LOCK RING
7	1	9213145	BOLT
8	1	9143005	SELF-LOCKING NUT
9	1	1065496	WHEEL
10	1	1065215	HUB CAP
11	1	0172009	SLOTTED NUT
12	1	0503125	SPLIT PIN
13	1	1065225	CLAMP WASHER
14	2	0600055	BEARING
15	1	1065224	BEARING SPACER
16	1	1065226	SEAL CAP
17	1	8629143	SEAL
18	1	1065212	SHEAR PIN
19	1	0503104	SPLIT PIN
	2	1065481	RATCHET LINK ASSEMBLY - <i>including:</i>
20	1	1065188	TUBE RATCHET WITH HANDLE
21	1	1065216	RATCHET
22	1	7115217	HANDLE
23	1	0421820	SPRING DOWEL
24	1	1065189	BALL END CAT.3
25	1	1065190	BALL END CAT.1
26	2	0431217	LINCH PIN

LINKAGE KIT

Module(s): 1065440

McCONNEL



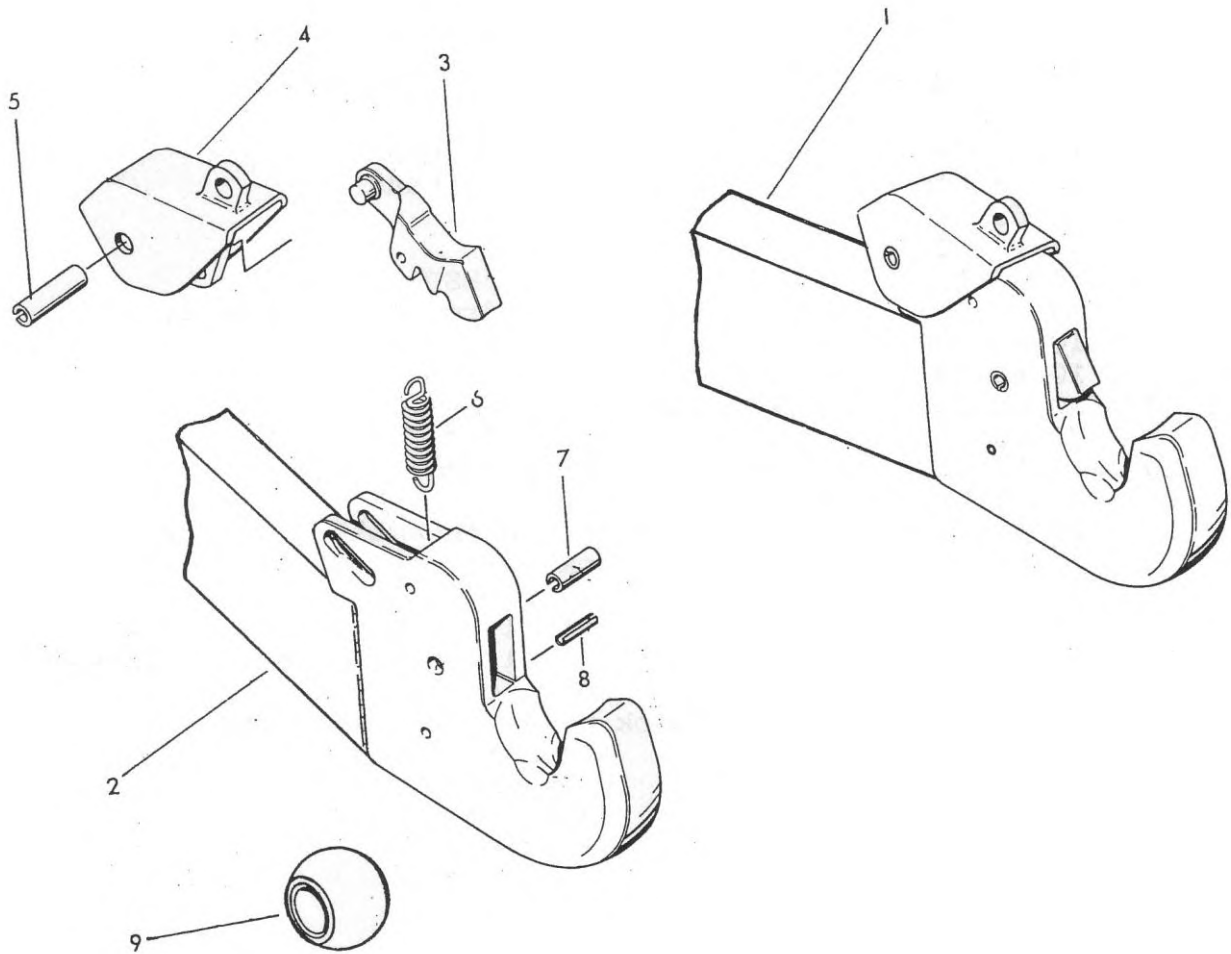
LINKAGE KIT

McCONNEL

Module(s): 1065440

REF.	QTY.	PART No.	DESCRIPTION
		1065440	LINKAGE KIT ASSEMBLY
1	1	10 65 616	DRAFT LINK - R/H
2	1	10 65 617	DRAFT LINK - L/H
3	1	10 65 468	LINKAGE ROCKER
4	2	72 13 023	BUSH
5	1	09 01 122	GREASER
	1	10 65 163	ADJUSTABLE DROP LINK ASSEMBLY
6	1	10 65 160	DROP LINK FORK
7	1	10 65 137	CENTRE TUBE
8	1	10 65 154	BALL END
9	1	71 15 153	LOCKING COLLAR
10	1	10 65 473	FIXED DROP LINK
11	1	71 15 048	BUSH
12	1	10 65 462	LINKAGE RAM ASSEMBLY
	1	71 15 275	TOP LINK ASSEMBLY- <i>comprising of:</i>
13	1	71 02 217	TOP LINK TUBE
14	1	71 15 204	CAT II END L/H - ROCKER
15	1	71 02 218	CAT II END R/H - IMPLEMENT
16	1	71 02 214	LOCKING COLLAR
	2	10 65 461	CHECK CHAIN ASSEMBLY - <i>comprising of:</i>
17	1	10 65 220	ADJUSTING TUBE
18	1	10 65 221	TUBE END - L/H
19	1	10 65 219	TUBE END - R/H
20	1	10 65 218	SHACKLE
21	1	10 65 217	SHACKLE PIN
22	1	04 31 217	LINCH PIN
23	1	10 65 155	ROCKER LINK PIN
24	1	05 03 206	SPLIT PIN
25	1	71 09 071	RAM ROD PIN
26	1	05 03 126	SPLIT PIN
27	1	10 65 157	RAM BASE PIN
28	1	95 01 406	SPLIT PIN
29	1	71 15 046	TOP HITCH PIN
30	6	04 31 217	LINCH PIN
31	1	10 65 159	DRAFT LINK PIN
32	2	10 65 158	DROP LINK PIN - LOWER
33	2	95 01 406	DROP LINK PIN - UPPER
34	1	85 31 313	HOSE - 3/8" BSP SF/90F x 110" long
35	1	60 00 113	UNION
36	1	86 50 103	BONDED SEAL
37	1	85 90 023	SELF SEALING COUPLING - FEMALE HALF
38	2	01 41 007	CLEVELOK NUT
39	2	10 65 619	STOP PLATE
40	2	02 00 012	BOLT
41	2	01 41 007	SELF-LOCKING NUT
*		10 65 040	ALTERNATIVE CAT.1 BALL END

Module(s): 1065440

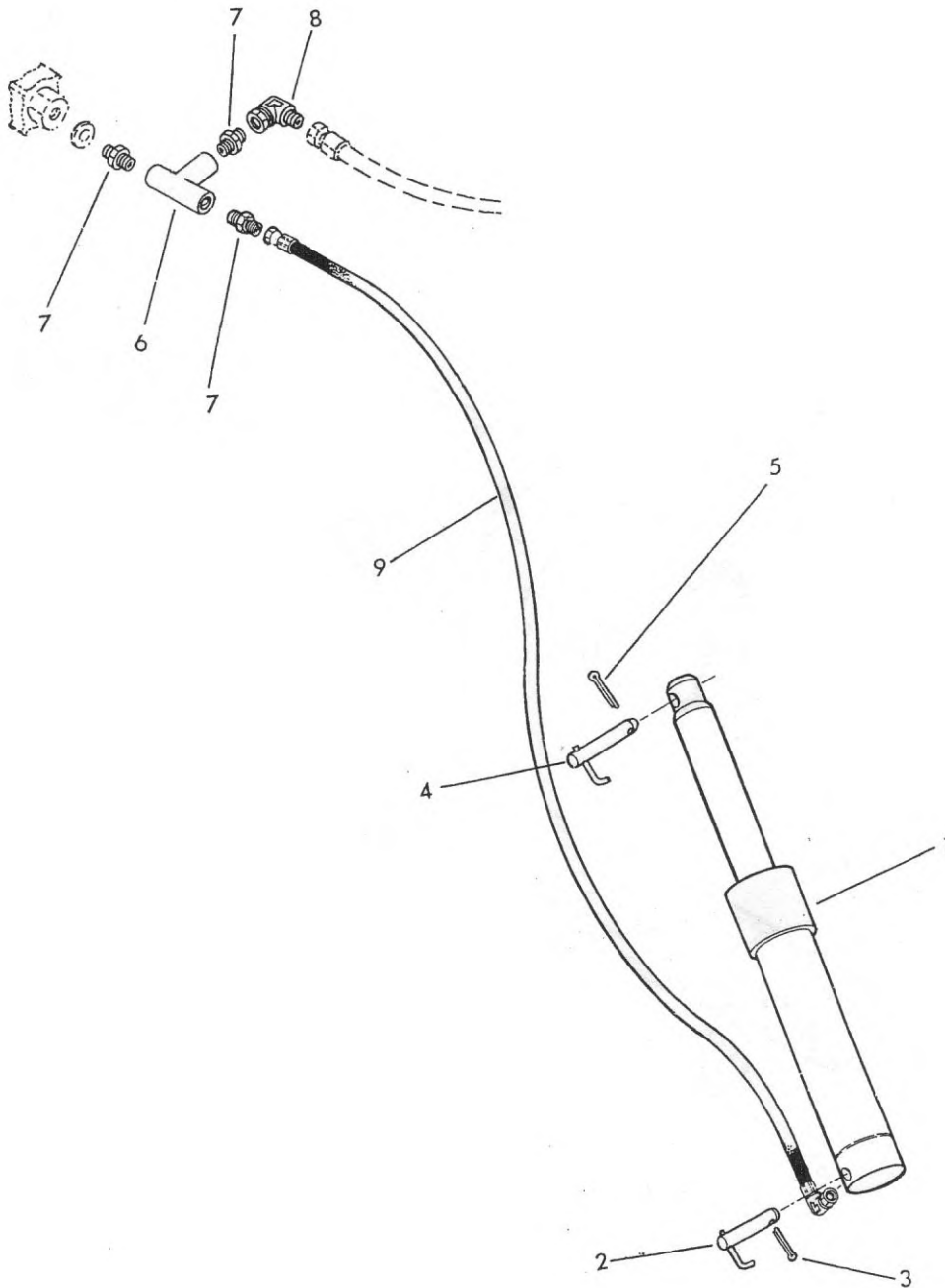


REF.	QTY.	PART No.	DESCRIPTION
		1065440	LINKAGE KIT ASSEMBLY - continued
1	1	1065616	DRAFT LINK - R/H c/w Latch, Pawl etc.
2	1	1065617	DRAFT LINK - L/H c/w Latch, Pawl etc.
The following items are common to both Draft Link assemblies			
3	1	1066034	LOCK PAWL
4	1	1066035	LATCH c/w ROLL PIN
5	1	0446332	ROLL PIN - SPECIAL
6	1	1066036	SPRING
7	1	0446332	ROLL PIN - SPECIAL
8	1	0425628	ROLL PIN
9	2	1066032	CAT. II BALL

LINKAGE ASSISTER RAM KIT

McCONNEL

Module(s): 1065439

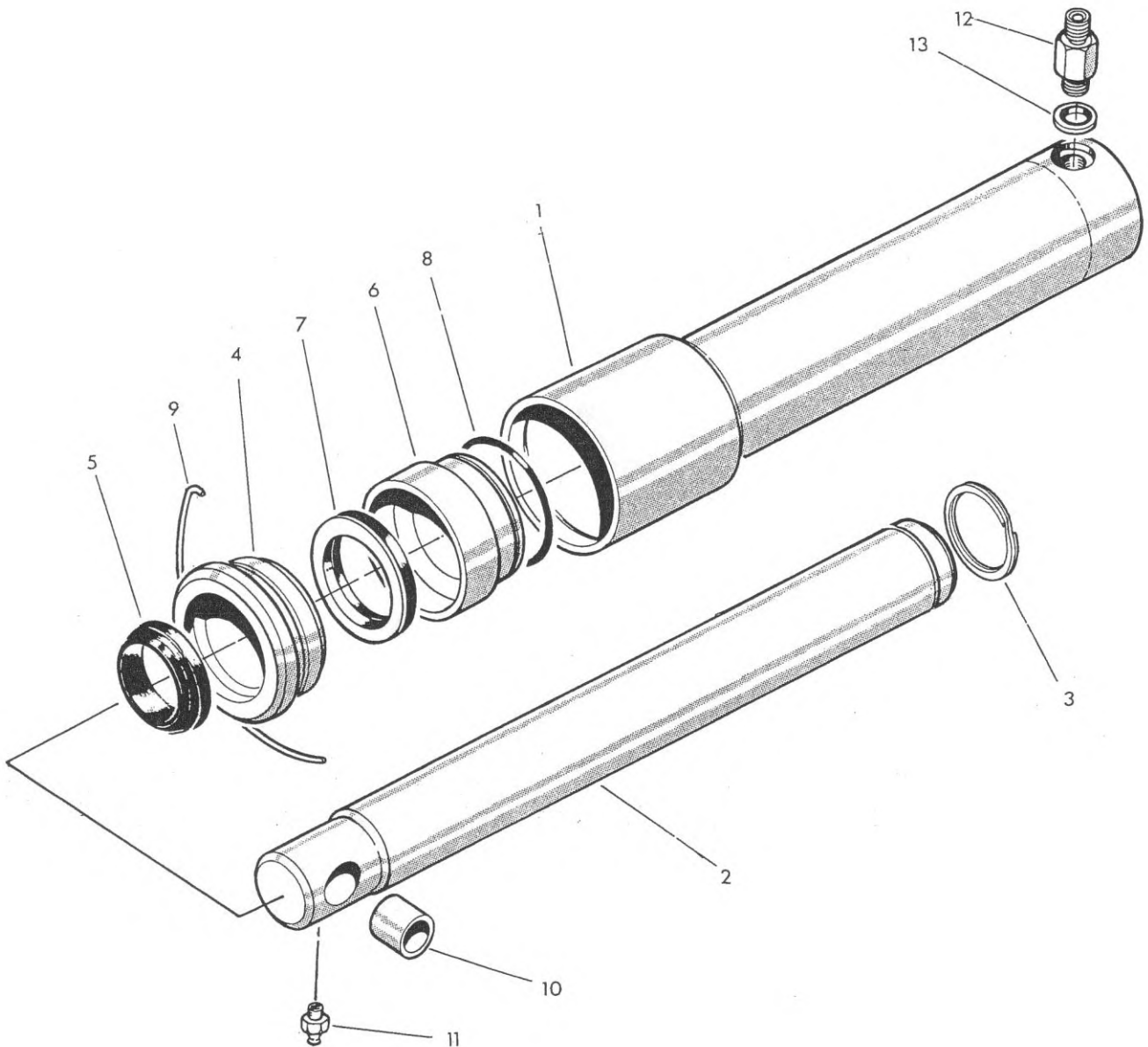


REF.	QTY.	PART No.	DESCRIPTION
		1065439	ASSISTER LIFT RAM KIT
1	1	1065462	LINKAGE RAM
2	1	1065157	PIN - RAM BASE
3	1	9501406	SPLIT PIN
4	1	7109071	PIN - RAM ROD
5	1	0503126	SPLIT PIN
	1	1065240	TEE ASSEMBLY - <i>Comprising of:</i>
6	1	8581073	TEE PIECE
7*	3	8005007	UNION
8*	1	8581117	ELBOW - 90°
9	1	8531313	HOSE - 3/8" BSP SF/90-F x 110" LONG
* <i>Items assembled using 'Permabond A121' Sealant.</i>			

LINKAGE RAM ASSEMBLY

McCONNEL

Module(s): 1065462

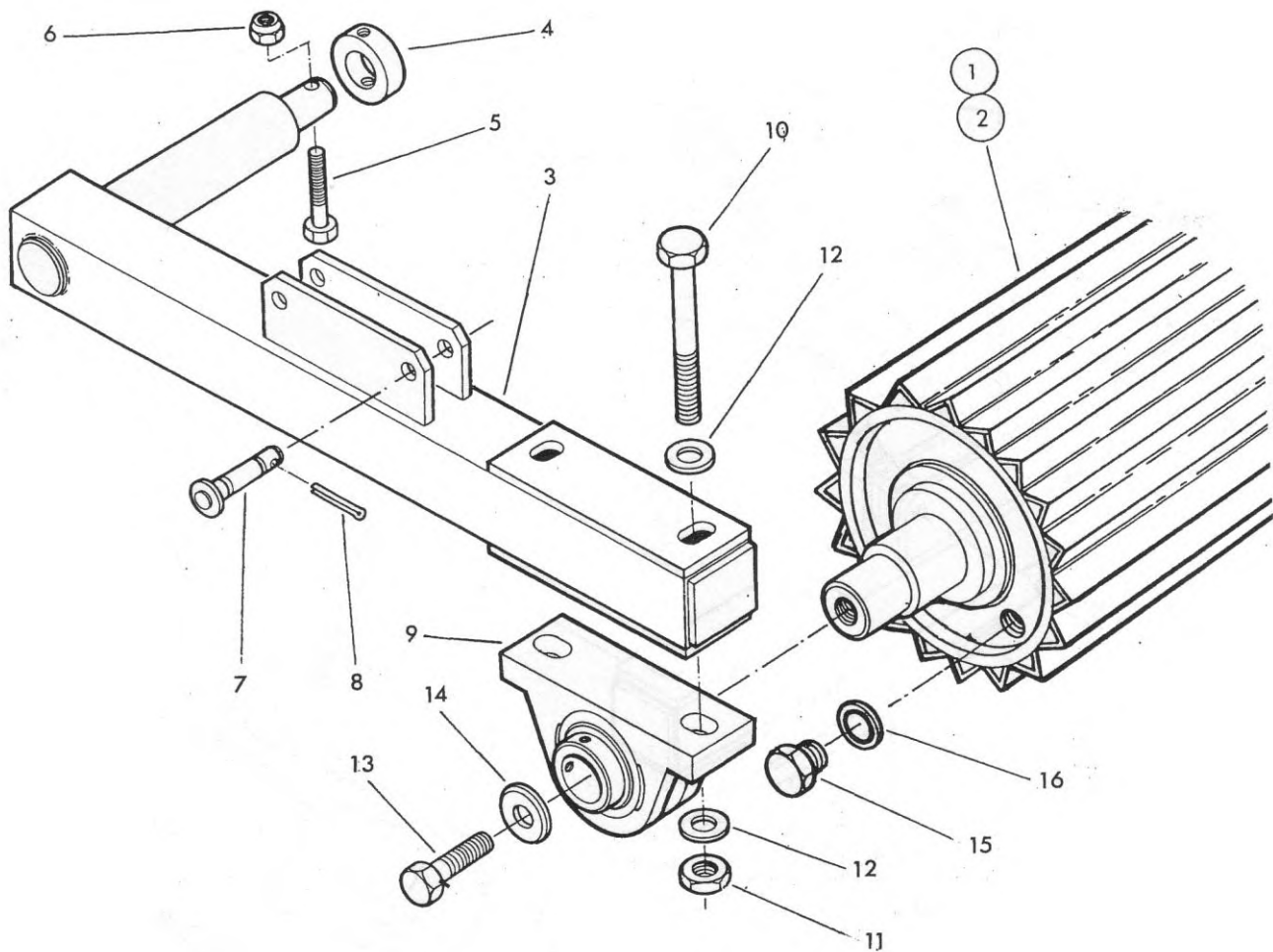


REF.	QTY.	PART No.	DESCRIPTION
		1065462	LINKAGE LIFT RAM ASSEMBLY
1	1	1065463	RAM BARREL
2	1	1065464	RAM ROD
3	1	0403260	SPIROBOX RING
4	1	7109032	GLAND RETAINER
5	1	8629130	WIPER RING
6	1	7109033	GLAND HOUSING c/w
7	1	8615001	SEAL
8	1	8600312	O RING
9	1	7109034	LOCKING WIRE
10	1	7105050	BUSH
11	1	0901121	GREASER
12	1	1066028	UNION - RESTRICTOR
13	1	8650103	BONDED SEAL

3.7M & 4.5M OXFORD ROLLERS

McCONNEL

Module(s): 1065610, 1065611

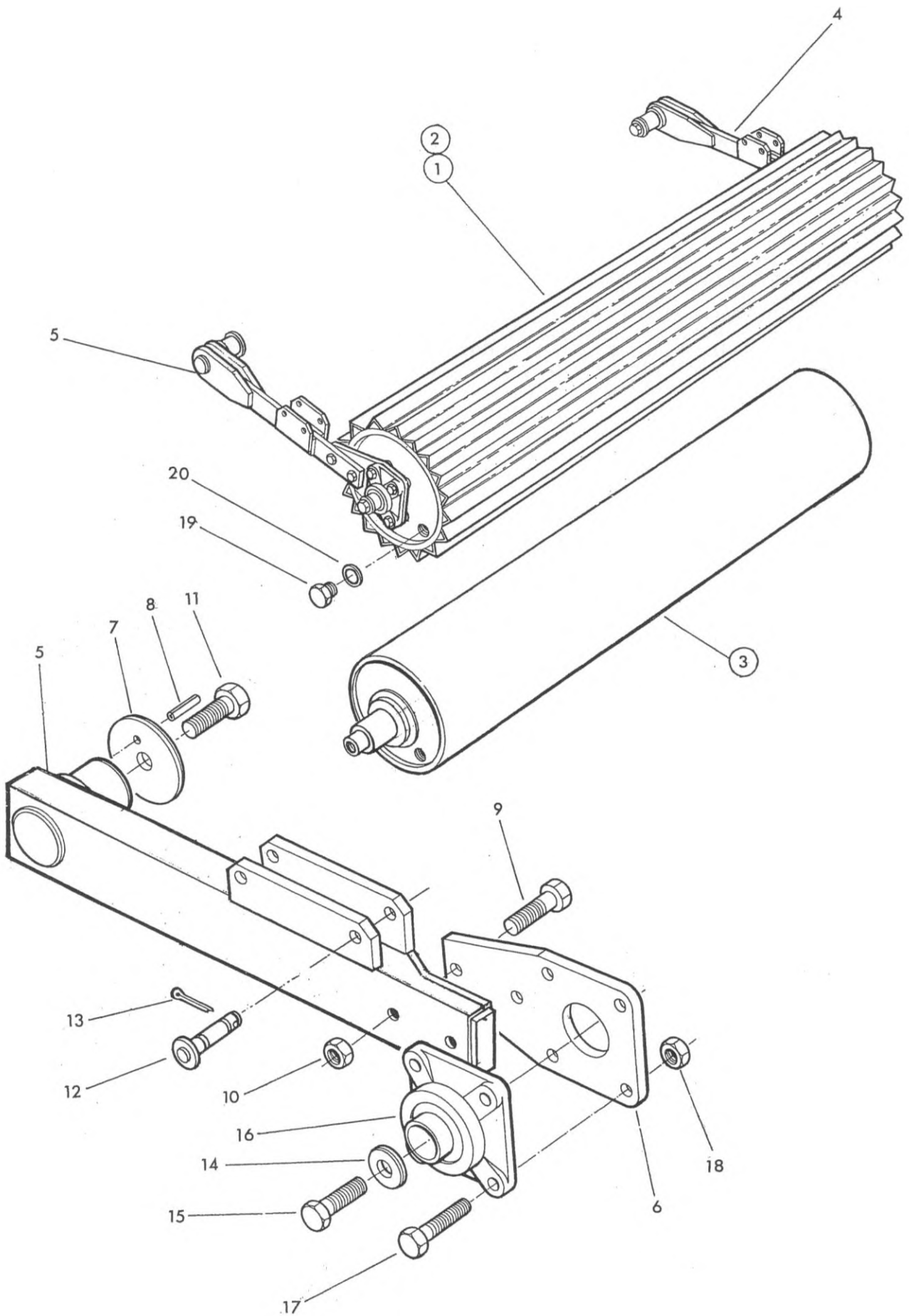


REF.	QTY.	PART No.	DESCRIPTION
		1065610	3.7m OXFORD ROLLER ASSEMBLY
1	1	1065612	ROLLER - 3.7m
		1065611	4.5m OXFORD ROLLER ASSEMBLY
2	1	1065613	ROLLER - 4.5m
<i>The following items are common to both Oxford Roller Assemblies</i>			
	1	1065589	DRAFT LINK - R/H - <i>not illustrated</i>
3	1	1065588	DRAFT LINK - L/H
4	2	1065211	PIVOT AXLE LOCK RING
5	2	9213145	BOLT
6	2	9143005	SELF-LOCKING NUT
7	2	1065212	SHEAR PIN
8	1	0503104	SPLIT PIN
9	2	0600066	BEARING
10	4	0211607	BOLT
11	4	0141007	SELF-LOCKING NUT
12	8	0100107	PLAIN WASHER
13	2	0311127	SETSCREW
14	2	1066021	SPECIAL WASHER
15	1	8581159	BLANK PLUG
16	1	8650108	BONDED SEAL

2.5M & 3.0M ROLLERS

Module(s): 1065445, 1065446, 1065622

McCONNEL



2.5M & 3.0M ROLLERS

McCONNEL

Module(s): 1065445, 1065446, 1065622

REF.	QTY.	PART No.	DESCRIPTION
		1065440	OXFORD AND SMOOTH ROLLERS FOR 2.5 AND 3.0 METRE MACHINES
		1065445	2.5 METRE OXFORD ROLLER
1		1065454	ROLLER
		1065446	3.0 METRE OXFORD ROLLER
2		1065451	ROLLER
		1065622	2.5 METRE SMOOTH ROLLER
3		1065601	ROLLER

The following items are common to all Oxford roller and Smooth roller assemblies.

		1065492	DRAFT LINK ASSEMBLY - R/H
4		1065494	DRAFT LINK - R/H
		1065493	DRAFT LINK ASSEMBLY - L/H
5		1065495	DRAFT LINK - L/H

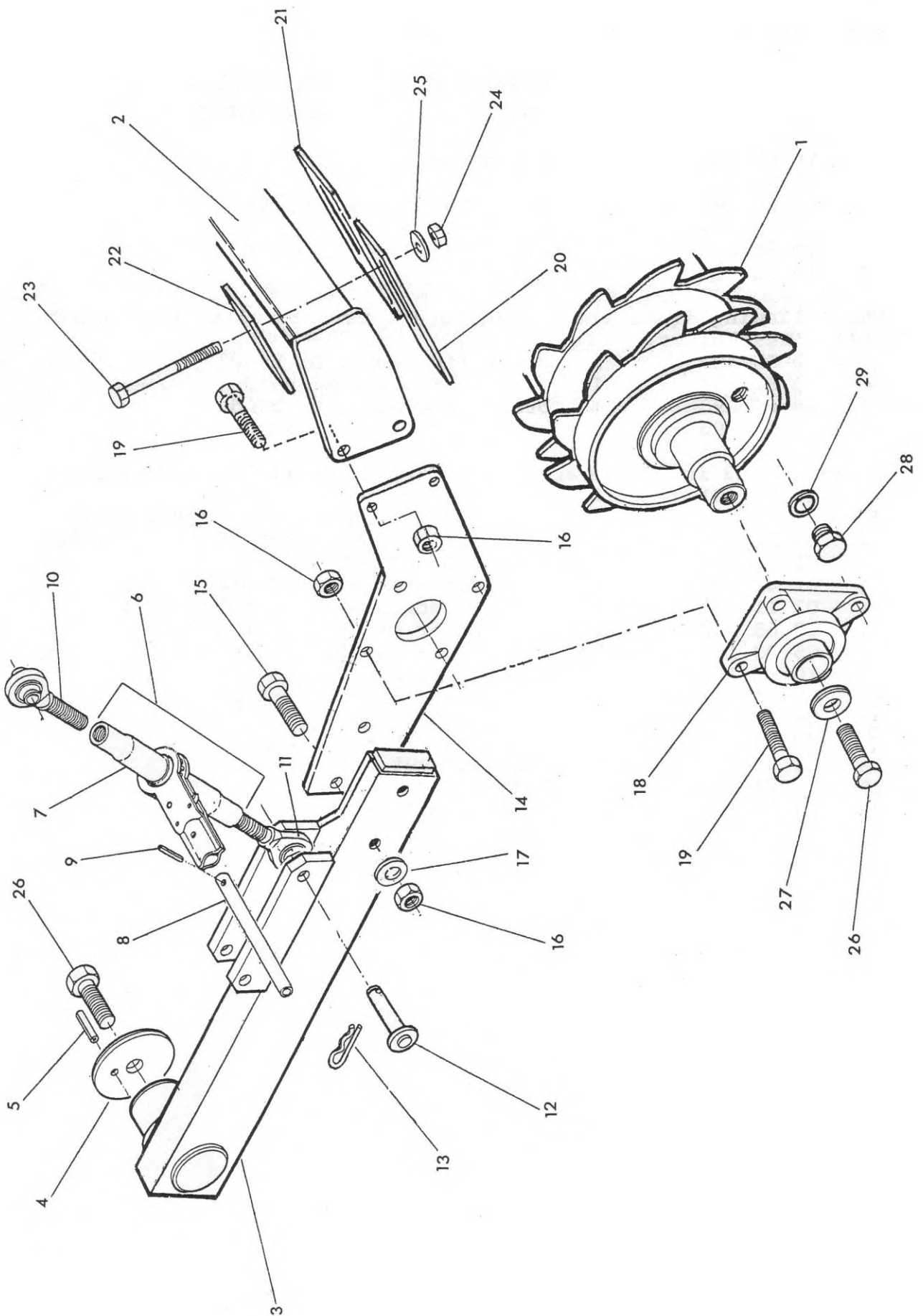
Items 6- 13 inclusive are common to both draft link assemblies.

6		1065491	ROLLER MOUNTING PLATE
7		1065214	SPECIAL WASHER c/w spring dowel
8		0422516	SPRING DOWEL
9		0211246	BOLT
10		0141006	CLEVELOK NUT
11		0311127	SETSCREW
12		1065212	SHEAR PIN c/w split pin
13		0503104	SPLIT PIN
14		1065134	SPECIAL WASHER
15		0311127	SETSCREW
16		0211166	FLANGED BEARING
17		0600062	BOLT
18		0141006	CLEVELOK NUT
19		8581159	BLANK PLUG
20		8650108	BONDED SEAL

2.5M & 3.0M PACKER ROLLERS – Early Builds

Module(s): 1065791, 1065792

McCONNEL



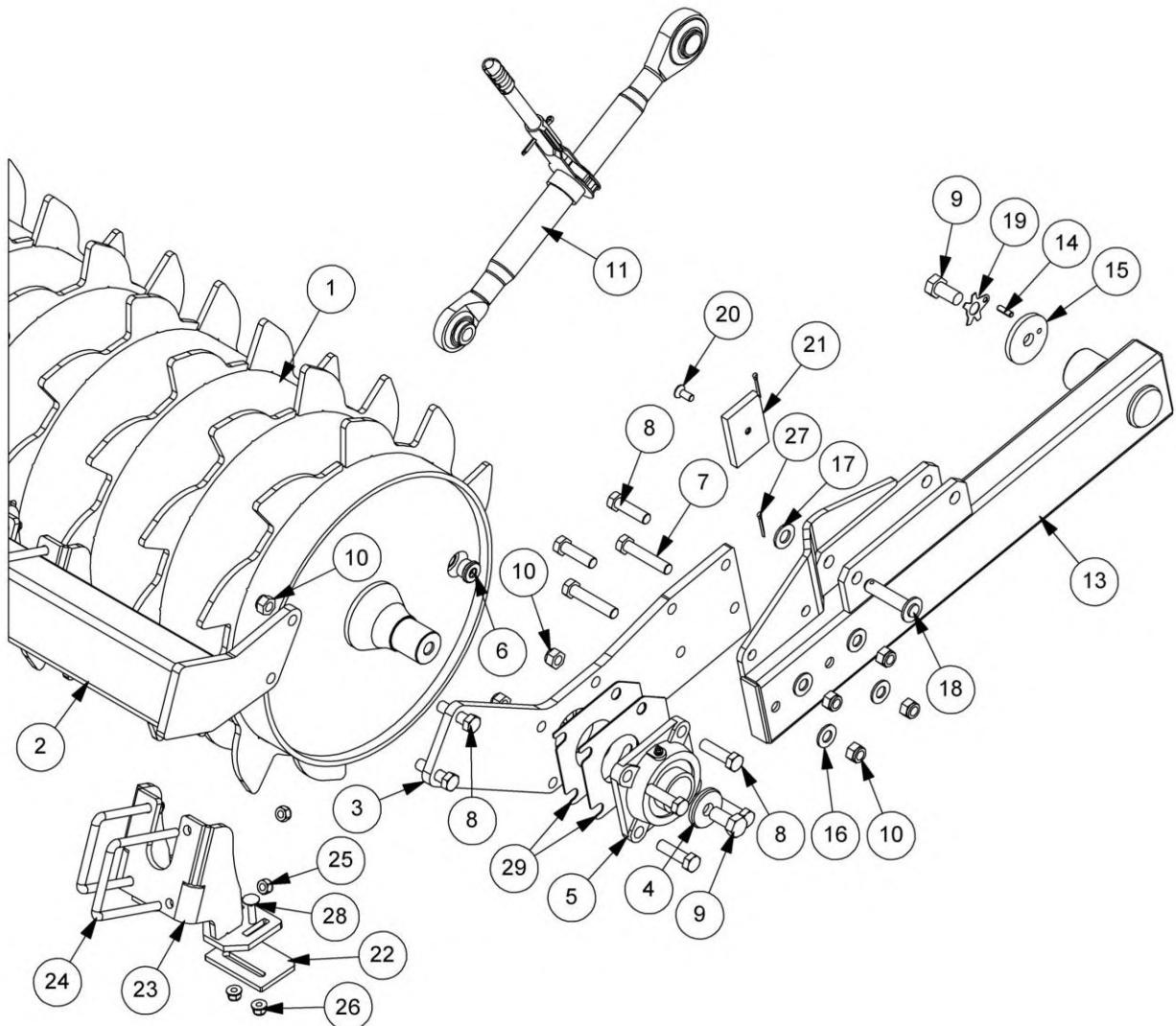
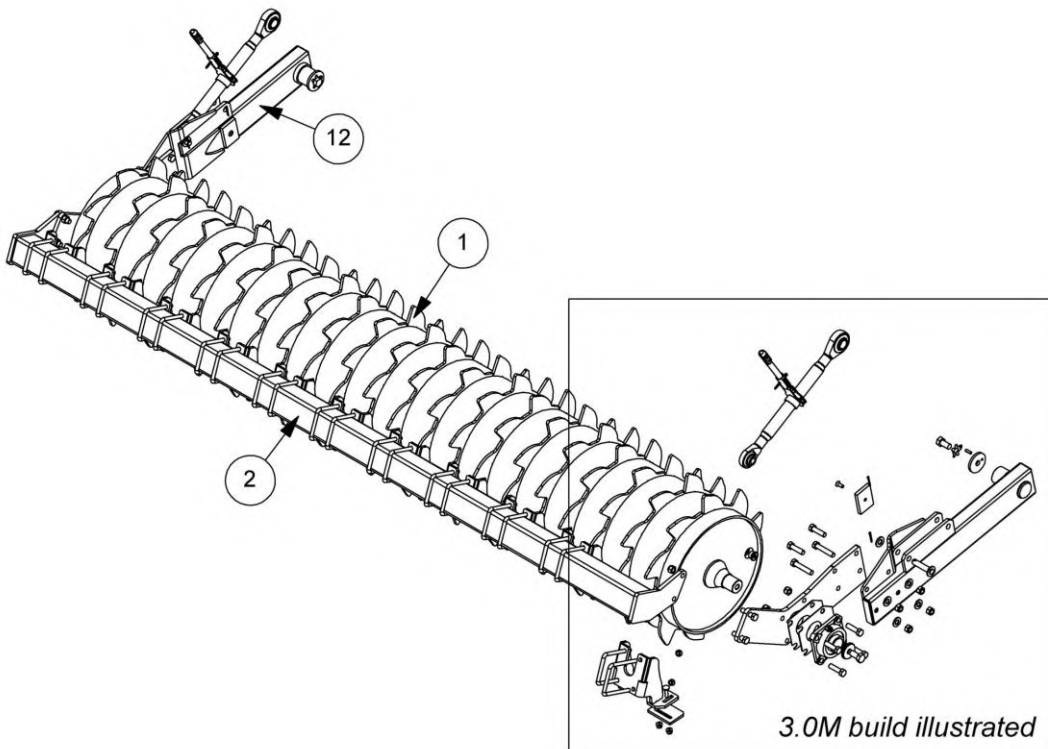
Module(s): 1065791, 1065792

REF.	QTY.		PART No.	DESCRIPTION
	2.5m	3.0m		
			1065791	2.5M PACKER ROLLER ASSEMBLY
1	1		42067.01	ROLLER
2	1		42070.01	SCRAPER BAR
			1065792	3.0M PACKER ROLLER ASSEMBLY
1		1	42067.02	ROLLER
2		1	42070.02	SCRAPER BAR
The following items are common to both Packer Roller Assemblies				
3	1	1	1065495	DRAFT LINK - L/H
	1	1	1065494	DRAFT LINK - R/H (<i>not illustrated</i>)
4	2	2	1065214	SPECIAL WASHER
5	2	2	0422516	SPRING DOWEL
	2	2	1065481	RATCHET LINK ASSEMBLY - <i>comprising of:</i>
6	1	1	1065188	TUBE RATCHET WITH HANDLE
7	1	1	1065216	RATCHET
8	1	1	7115217	HANDLE
9	1	1	0421820	SPRING DOWEL
10	1	1	1065189	BALL END CAT.3
11	1	1	1065190	BALL END CAT.1
12	2	2	7106228	PIN
13	4	4	0503104	SPRING COTTER
14	2	2	42071.01	MOUNTING PLATE
15	4	4	0211246	BOLT
16	16	16	0141006	SELF-LOCKING NUT
17	4	4	0100106	PLAIN WASHER
18	2	2	0600062	BEARING
19	12	12	0211166	BOLT
20	2	2	42072.02	END SCRAPER
21	16	20	42072.01	SCRAPER
22	18	22	42073.01	CLAMP PLATE
23	36	44	0211445	BOLT
24	36	44	0141005	SELF-LOCKING NUT
25	36	44	0100105	PLAIN WASHER
26	2	2	0311127	SETSCRE
27	2	2	1065134	SPECIAL WASHER
28	2	2	8581159	BLANK PLUG
29	2	2	8650108	BONDED SEAL

2.5M & 3.0M PACKER ROLLERS – Current Builds

Module(s): 1065791, 1065792

McCONEL



2.5M & 3.0M PACKER ROLLERS – Current Builds



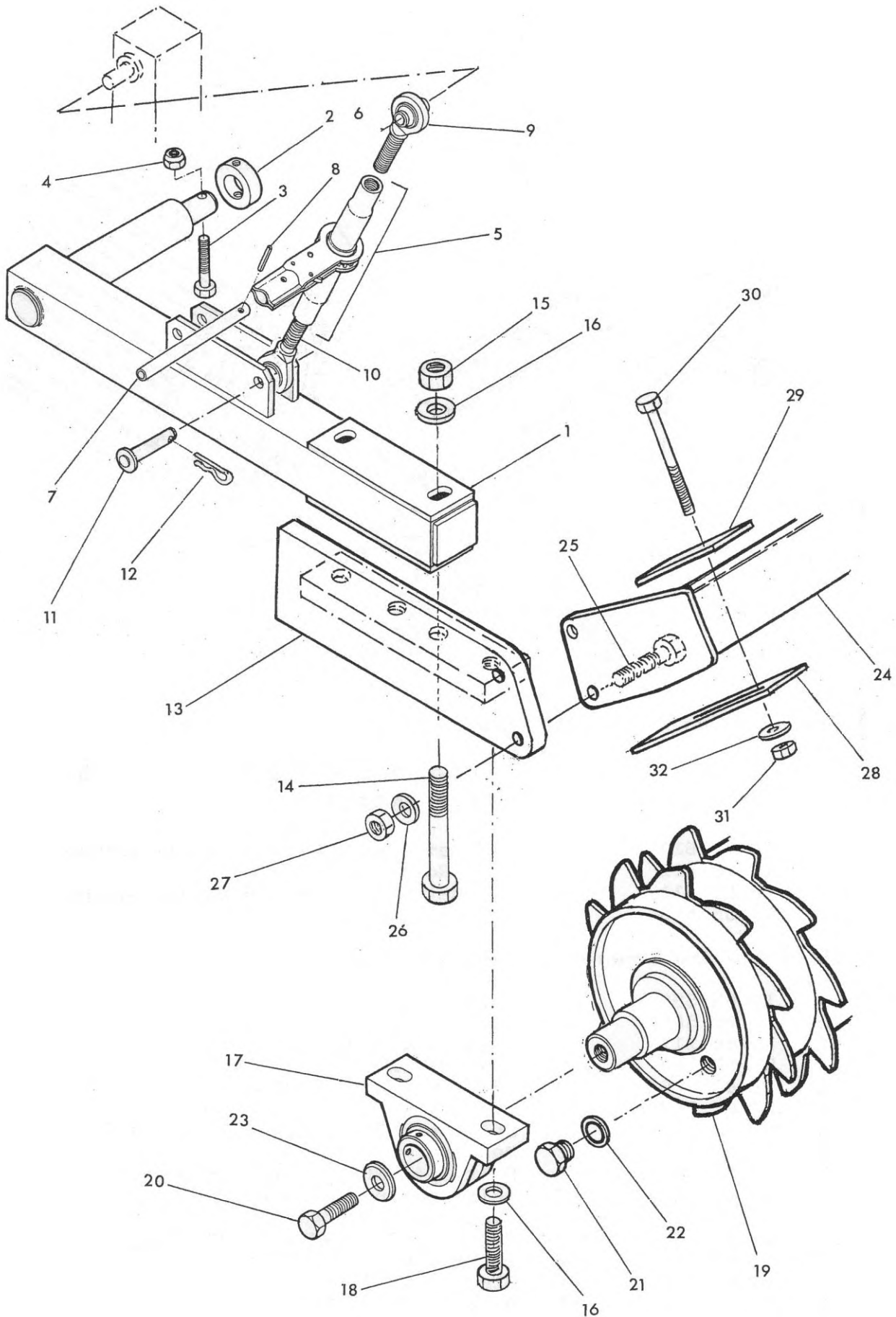
Module(s): 1065791, 1065792 (illustrated)

REF.	QTY.		PART No.	DESCRIPTION
	2.5M	3.0M		
	↓	↓	1065791	2.5M PACKER ROLLER ASSEMBLY
			1065792	3.0M PACKER ROLLER ASSEMBLY
1	1	-	42067.02	2.5M PACKER ROLLER
	-	1	42067.02	3.0M PACKER ROLLER
2	1	-	42071.01	SCRAPER BAR - 2.5M Builds
	-	1	42070.04	SCRAPER BAR - 3.0M Builds
3	2	2	42071.01	MOUNTING PLATE
4	2	2	1065134	SPECIAL WASHER
5	2	2	0600062	BEARING
6	2	2	8581302	PLUG - <i>Builds 07/13 on</i>
	2	2	05.433.03	PLUG - <i>Builds to 06/13</i>
	2	2	8650108	SEAL - <i>Builds to 06/13</i>
7	4	4	0211266	UNF BOLT
8	16	16	0211186	UNF BOLT
9	4	4	0311127	UNF SCREW
10	20	20	0141006	UNF CLEVELOC NUT
11	2	2	1065481	RATCHET LINK ASSEMBLY CAT1 & 2
12	1	1	1065495	LH DRAFT LINK
13	1	1	1065494	RH DRAFT LINK
14	2	2	0422516	SPRING DOWEL
15	2	2	10652141	SPECIAL WASHER
16	8	8	0100106	FLAT WASHER
17	2	2	0100107	FLAT WASHER
18	2	2	7106228B	PIN
19	2	2	21472.01	SPECIAL TAB WASHER
20	2	2	9333045	SKT CSK CAPSCREW
21	2	2	7136001	DIPPER WEAR STRIP
22	18	22	22826.31	SCRAPER BLADE
23	9	11	22826.11	ROLLER SCRAPER LEG
24	18	22	42072.08	U BOLT
25	36	44	9163006	NYLOC NUT
26	36	44	9416005	FLANGED NUT
27	4	4	0503104	COTTER PIN
28	36	44	9293085	COACHBOLT
29	4	4	21124.03	BEARING PACKER

3.7M PACKER ROLLER

Module(s): 1065793

McCONEL



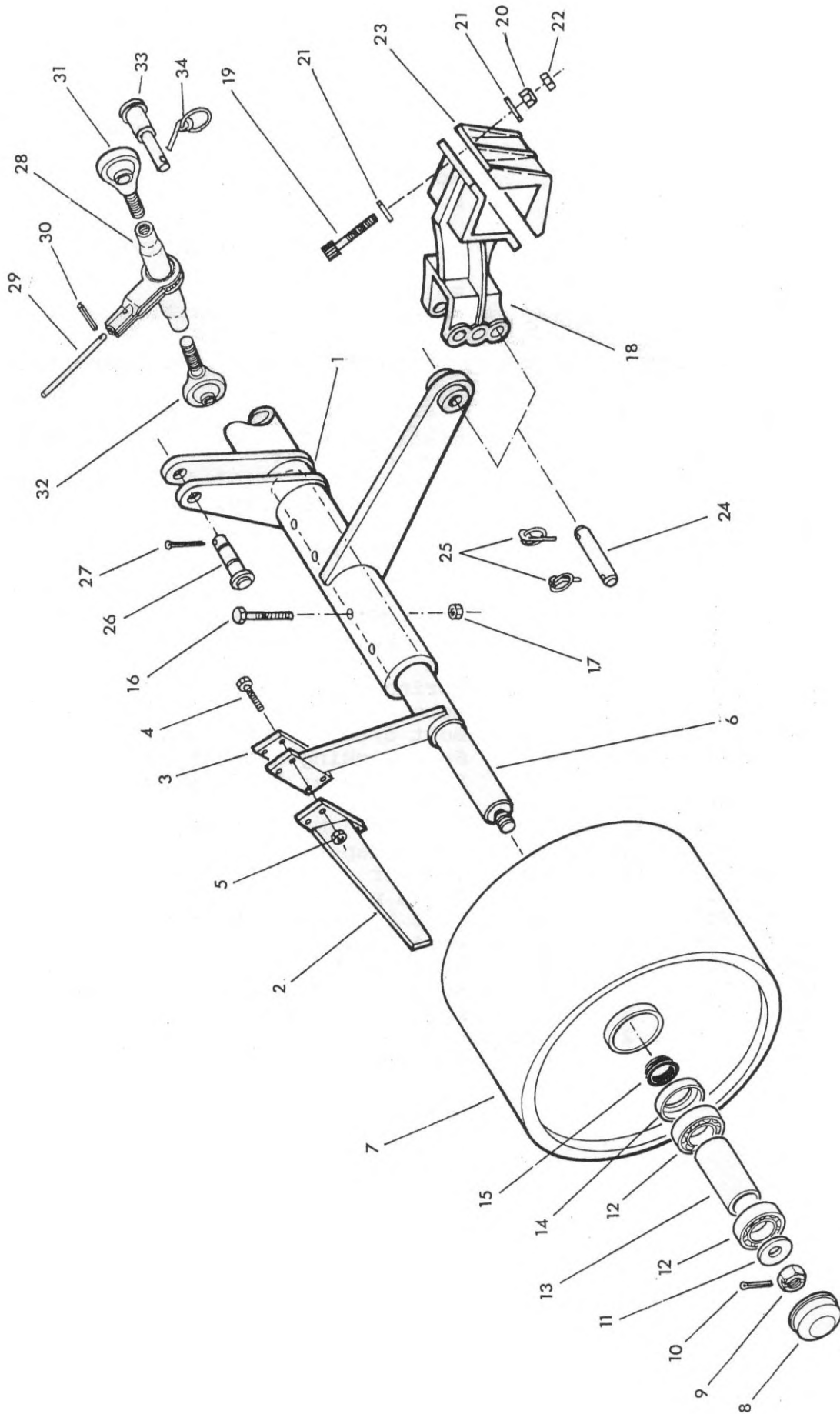
Module(s): 1065793

REF.		PART No.	DESCRIPTION
		1065793	3.7M PACKER ROLLER ASSEMBLY
1	1	1065588	DRAFT LINK - L/H
	1	1065589	DRAFT LINK - R/H (<i>not illustrated</i>)
2	2	1065211	PIVOT AXLE LOCK RING
3	2	9213145	BOLT
4	2	9143005	SELF-LOCKING NUT
	2	1065481	RATCHET LINK ASSEMBLY - <i>comprising of:</i>
5	1	1065188	TUBE RATCHET WITH HANDLE
6	1	1065216	RATCHET
7	1	7115217	HANDLE
8	1	0421820	SPRING DOWEL
9	1	1065189	BALL END CAT.3
10	1	1065190	BALL END CAT.1
11	2	7106228	PIN
12	2	0503104	SPRING COTTER
13	1	42077.01	MOUNTING BRACKET - L/H
	1	42077.02	MOUNTING BRACKET - R/H (<i>not illustrated</i>)
14	4	0211527	BOLT
15	4	0141007	SELF-LOCKING NUT
16	8	0100107	PLAIN WASHER
17	2	0600066	BEARING
18	4	0311187	SETSCREW
19	1	42067.05	ROLLER
20	2	0311127	SETSCREW
21	2	8581159	BLANK PLUG
22	2	8650108	BONDED SEAL
23	2	1066021	SPECIAL WASHER
24	1	42070.03	SCRAPER BAR
25	4	0211156	BOLT
26	4	0100106	PLAIN WASHER
27	4	0141006	SELF-LOCKING NUT
28	26	42072.01	SCRAPER
29	26	42073.01	CLAMP PLATE
30	52	0211445	BOLT
31	52	0141005	SELF-LOCKING NUT
32	52	0100105	PLAIN WASHER

2.0M GRASSLAND ROLLER KIT

Module(s): 1065697

McCONNEL



2.0M GRASSLAND ROLLER KIT

McCONNEL

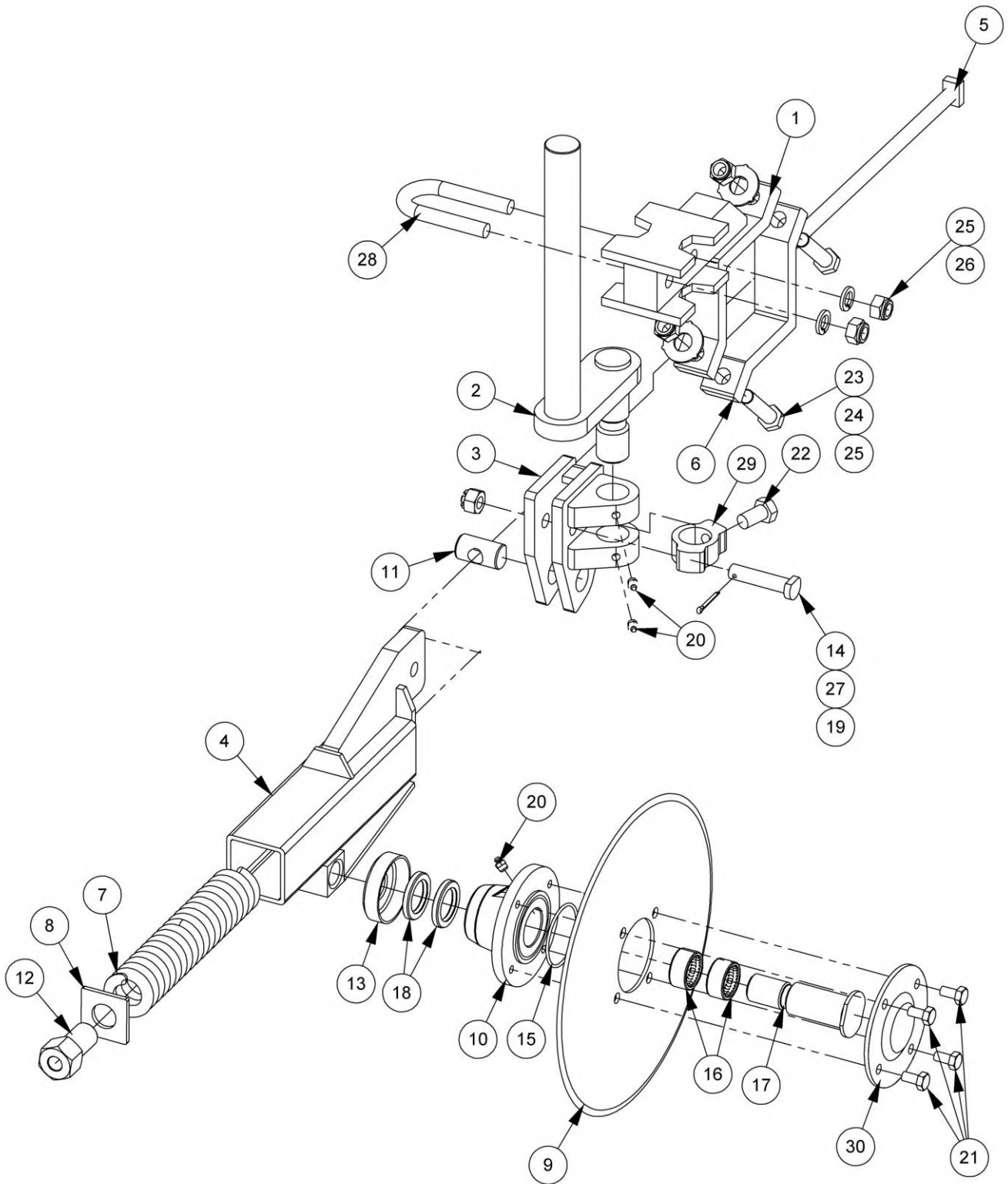
Module(s): 1065697

REF.	QTY.	PART No.	DESCRIPTION
		1065697	2.0M GRASSLAND ROLLER KIT
1	1	1065698	ROLLER AXLE
	1	1065701	SCRAPER - L/H (<i>not illustrated</i>)
2	12	1065700	SCRAPER - R/H
3	6	1065079	CLAMP PLATE
4	8	9213075	BOLT
5	2	9143005	SELF-LOCKING NUT
6	2	1066084	AXLE
7	2	1065496	WHEEL
8	2	1065215	HUB CAP
9	2	0172009	SLOTTED NUT
10	2	0503125	SPLIT PIN
11	4	1065225	WHEEL CLAMP WASHER
12	2	0600055	WHEEL BEARING
13	2	1065224	BEARING SPACER
14	2	1065226	SEAL CAP
15	2	8629143	SEAL
16	2	9213205	BOLT
17	2	9143005	SELF-LOCKING NUT
18	2	1065480	HITCH BRACKET
19	4	9200009	CAPSCREW - SOCKET HEADED
20	4	9143007	SELF-LOCKING NUT
21	4	1065077	SPECIAL WASHER
22	4	9113007	PLAIN NUT
23	2	1065292	HITCH CLAMP
24	2	1065020	HITCH PIN
25	2	0431217	LINCH PIN
26	1	1065212	SHEAR PIN
27	1	0503104	SPLIT PIN
	1	1065481	RATCHET LINK ASSEMBLY - <i>comprising of:</i>
28	1	1065216	RATCHET
29	1	7115217	HANDLE
30	1	0421820	SPRING DOWEL
31	1	1065189	BALL END CAT.3
32	1	1065190	BALL END CAT.1
33	1	1066085	PIN
34	1	0431217	LINCH PIN

GRASS DISC ASSEMBLY

Module(s): 1065676

McCONNEL



GRASS DISC ASSEMBLY

McCONNEL

Module(s): 1065676

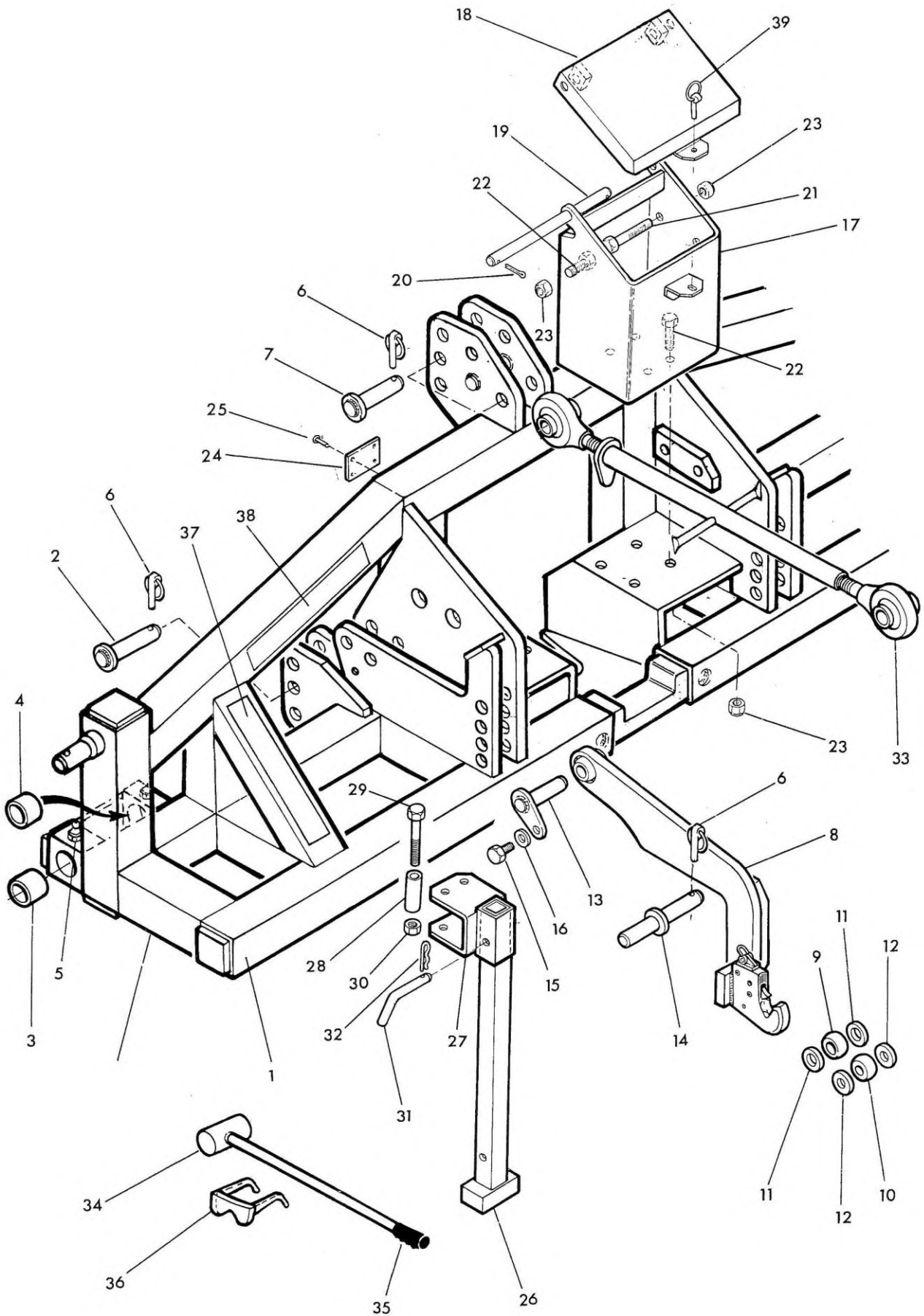
REF.	QTY.	PART No.	DESCRIPTION
		1065676	GRASS DISC ASSEMBLY
1	1	1065420	COULTER BRACKET
2	1	1065421	DISC CUTTER SHAFT
3	1	1066054	PIVOT BRACKET
4	1	1065674	TRAILING ARM
5	1	1066058	SPRING TENSIONER BOLT
6	1	1065030	LEG CLAMP
7	1	1066063	SPRING
8	1	1066072	SQUARE WASHER
9	1	1065542	GRASS DISC
10	1	1065673	HUB
11	1	1066059	RETAINER PIN
12	1	1066060	NUT
13	1	1066061	BEARING HOUSING COVER
14	1	1066062	SPECIAL BOLT
15	1	8700738	O RING (METRIC)
16	2	0600068	NEEDLE BEARING
17	1	1066057	SPINDLE
18	2	8629142	SEAL
19	1	0503104	COTTER PIN
20	3	0901121	GREASE NIPPLE
21	4	9313045	SETSCREW
22	1	9313067	SETSCREW
23	2	0211246	BOLT
24	2	1065014	FRICTION GRIP WASHER
25	4	0141006	CLEVELOC NUT
26	2	0100206	SPRING WASHER
27	1	9173007	CASTLE HEX NUT
28	1	1065122	U BOLT
29	1	1066073	STOP BOSS
30	1	1065675	CLAMP PLATE

Compact Models

3.0M & 4.0M COMPACT FRAME ASSEMBLY

Module(s): 42806.03, 42806.04

McCONNEL



3.0M & 4.0M COMPACT FRAME ASSEMBLY

McCONNEL

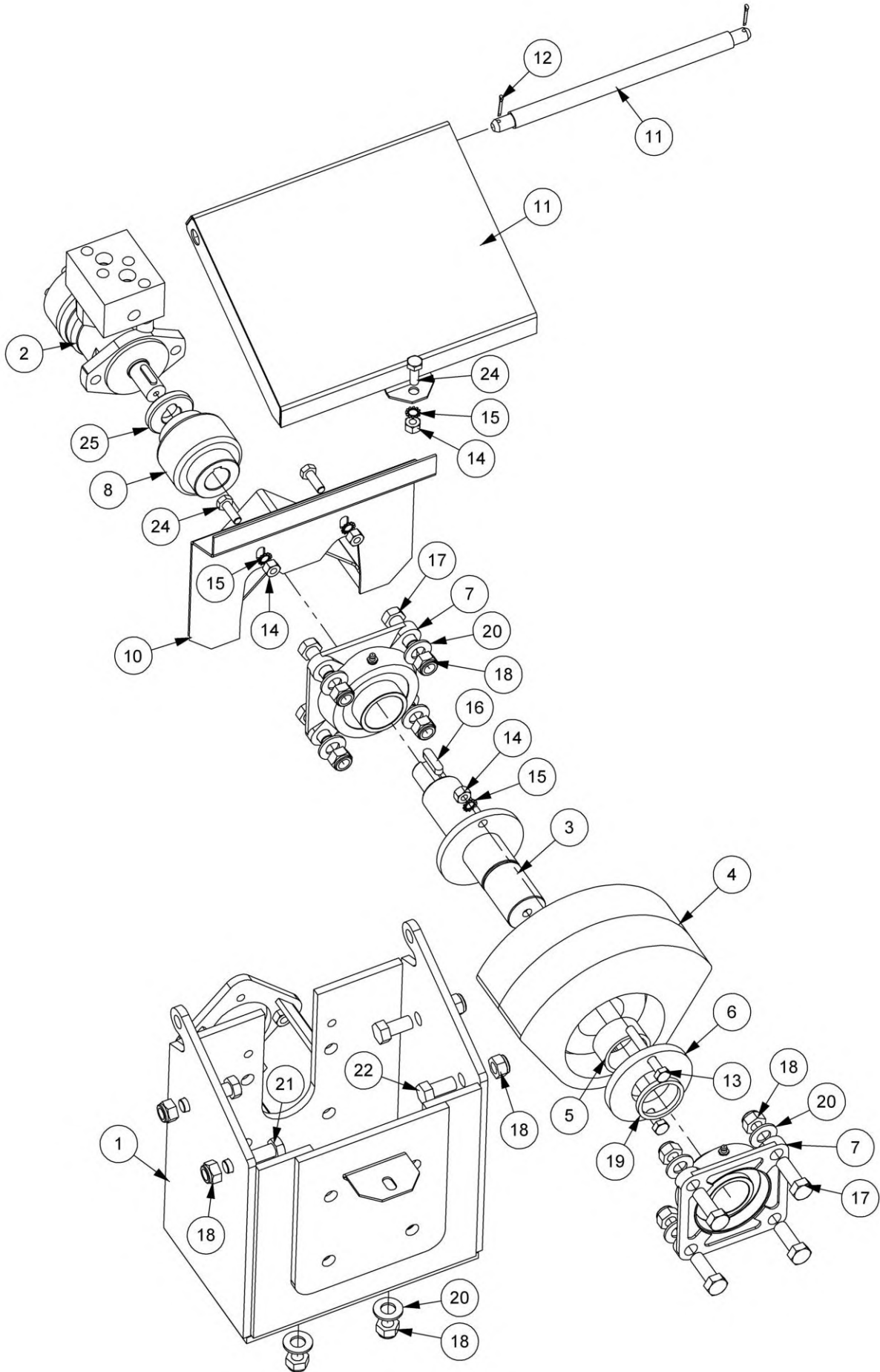
Module(s): 42806.03, 42806.04

REF.	QTY.	PART No.	DESCRIPTION
1		42806.03	FRAME - 3.0M
		42806.04	FRAME - 4.0M
2	2	1066140	LOWER LINK PIN
3	2	1065181	BUSH
4	2	7213023	BUSH
5	4	0901121	GREASER
6	6	0431216	LINCH PIN
7	2	1066141	TOP LINK PIN
8	1	42895.01	LIFT ARM - L/H
	1	42895.02	LIFT ARM - R/H
9	2	1066178	BALL - CAT.3
10	2	1066177	BALL - CAT.2
11	4	1066180	BALL SPACER - CAT.3
12	4	1066179	BALL SPACER - CAT.2
13	2	1066173	PIVOT PIN - LIFT ARM
14	2	1066174	ADJUSTER PIN - LIFT ARM
15	2	9313066	SETSCREW
16	2	9100206	SPRING WASHER
	1	1066261	TOOL BOX ASSEMBLY - including:
17	1	42898.01	TOOLBOX
18	1	42899.02	LID
19	1	42810.06	HINGE ROD
20	2	9501255	SPLIT PIN
21	2	0211166	BOLT
22	4	0311126	SETSCREW
23	6	0141006	SELF-LOCKING NUT
24	1	1335246	SERIAL No. PLATE
25	4	7103230	POP RIVET
	2	42829.01	SUPPORT LEG - including:
26	1	42829.11	SUPPORT LEG
27	1	42829.10	SUPPORT CLAMP
28	1	42829.12	SPACER TUBE
29	1	9213286	BOLT
30	1	9143006	SELF-LOCKING NUT
31	1	1090051	LEG PIN
32	1	0431105	SPRING COTTER
33	1	1066258	TOP LINK CAT.3
34	1	1065245	HAMMER
35	1	1065173	GRIP
36	1	1065246	SAFETY GLASSES
37	2	43116.31	DECAL - VIBRASOL
38	2	1290253	DECAL - McCONNEL
39	3	0431217	LINCH PIN

HYDRAULIC SHAKERBOX ASSEMBLY

McCONNEL

Module(s): 42896.29



HYDRAULIC SHAKERBOX ASSEMBLY

McCONNEL

Module(s): 42896.29

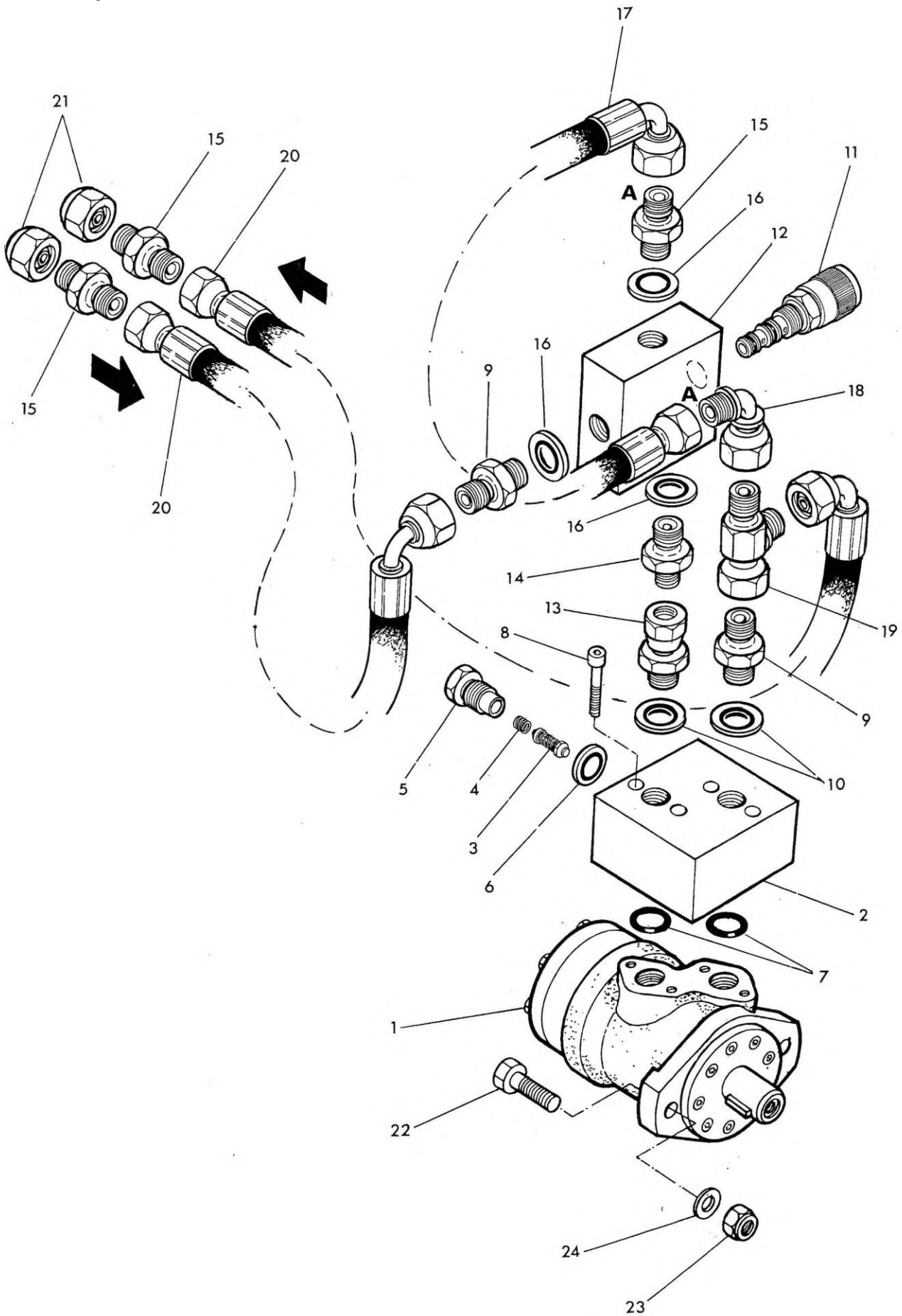
REF.	QTY.	PART No.	DESCRIPTION
		42896.29	SHAKERBOX ASSEMBLY
1	1	42896.01	SHAKERBOX
2	1	42903.01	MOTOR ASSEMBLY
3	1	42897.01	SHAKER SHAFT
4	1	1066284	FLYWHEEL
5	1	6000160	BUSH
6	1	1066163	CLAMP DISC
7	2	0600054	FLANGED BEARING UNIT
8	1	1066172	COUPLING
9	1	42810.05	HINGE ROD
10	1	42900.01	COUPLING GUARD
11	1	42899.01	SHAKERBOX LID
12	2	9501255	SPLIT PIN
13	2	9213165	BOLT
14	5	9143005	SELF-LOCKING NUT
15	5	9100405	SHAKEPROOF WASHER
16	1	05.960.03	KEY
17	8	0211146	BOLT
18	16	0141006	CLEVELOC NUT
19	1	1066154	SPACER SLEEVE
20	12	0100106	FLAT WASHER
21	2	0211206	BOLT
22	2	0311106	SCREW
23	2	9143006	SELF-LOCKING NUT
24	3	9213065	BOLT
25	1	1066181	SHAFT SPACER (NYLON)

MOTOR ASSEMBLY & FLOW CONTROL KIT

Module(s): 42903.01 (Motor Assembly), 42941.01 (Flow Control Kit)

McCONNEL

Machines prior to Serial No. M1020950



MOTOR ASSEMBLY & FLOW CONTROL KIT

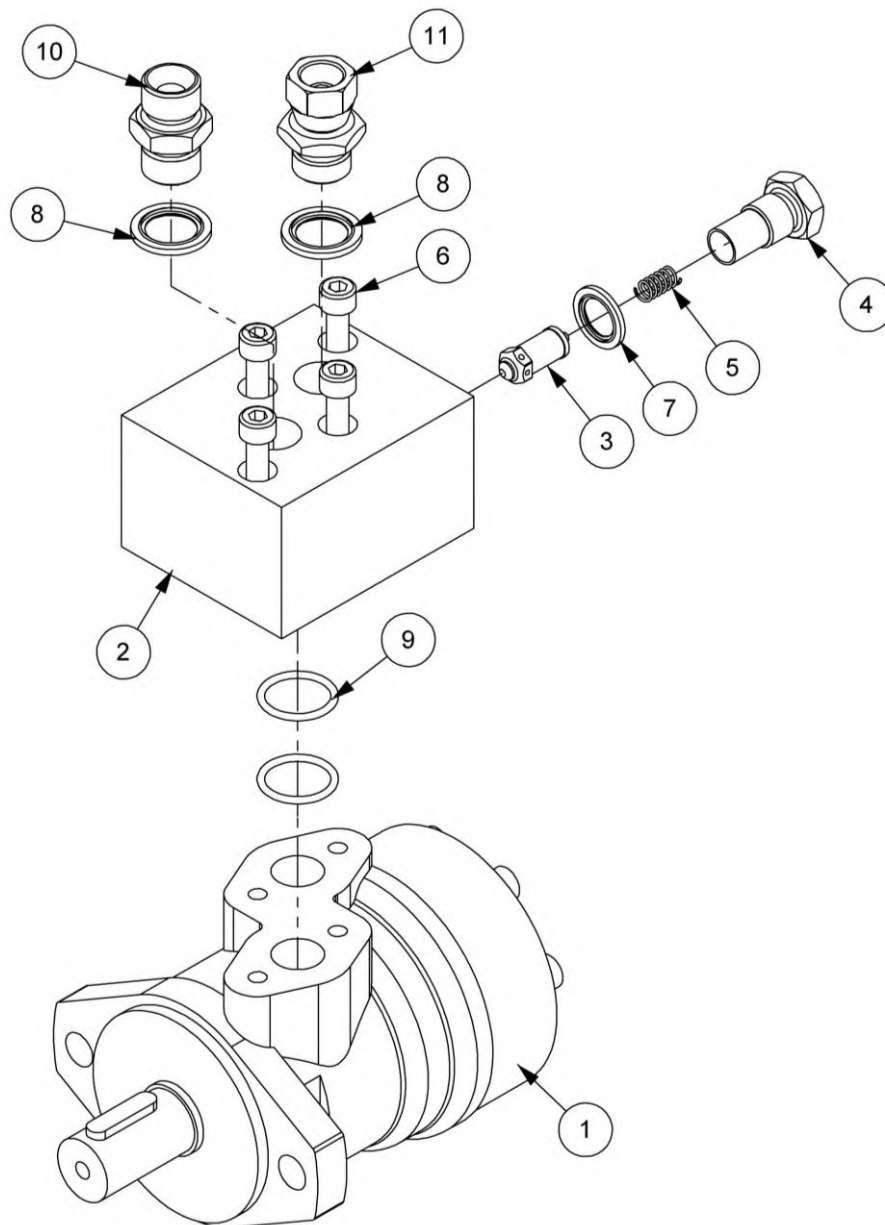


Module(s): 42903.01 (Motor Assembly), 42941.01 (Flow Control Kit)

REF.	QTY.	PART No.	DESCRIPTION
			HYDRAULIC MOTOR AND FLOW CONTROL INSTALLATION
		42903.01	HYDRAULIC MOTOR ASSEMBLY - including:
1	1	1989057	MOTOR
2	1	41360.01	MOTOR VALVE BLOCK
3	1	8130124	RELIEF VALVE - 140BAR
4	1	8116011	SPRING
5	1	8130032	VALVE CAP
6	1	8650103	BONDED SEAL
7	2	8600403	O RING
8	4	9343104	CAPSCREW
9	2	8581110	ADAPTOR
10	2	8650104	BONDED SEAL
	1	42941.01	FLOW CONTROL KIT
11	1	8104045	FLOW CONTROL VALVE
12	1	8104046	VALVE BODY
13	1	8581285	STRAIGHT SWIVEL ADAPTOR
14	1	6000112	ADAPTOR
15	3	8581110	ADAPTOR
16	3	8650104	BONDED SEAL
17*	1	8533144	HOSE - 1/2" BSP x 22" long (<i>open centre only</i>)
18	1	G520 0331	SWEPT ELBOW
19	1	19520728	TEE
20	2	8533094	HOSE - 1/2" BSP x 63" long
21	2	8582054	BLANKING CAPS
22	2	9313086	SETSCREW
23	2	9143006	SELF-LOCKING NUT
24	2	9100406	EXTERNAL SERRATED WASHER
		86 99 233	MOTOR SEAL KIT

* Note:

When Compact Shakaerator is used on tractors with closed centre hydraulic systems e.g. John Deere, the hose (item 17) is discarded and the two delivery blanking caps (item 21) are used to plug the two resulting open connections at positions A.



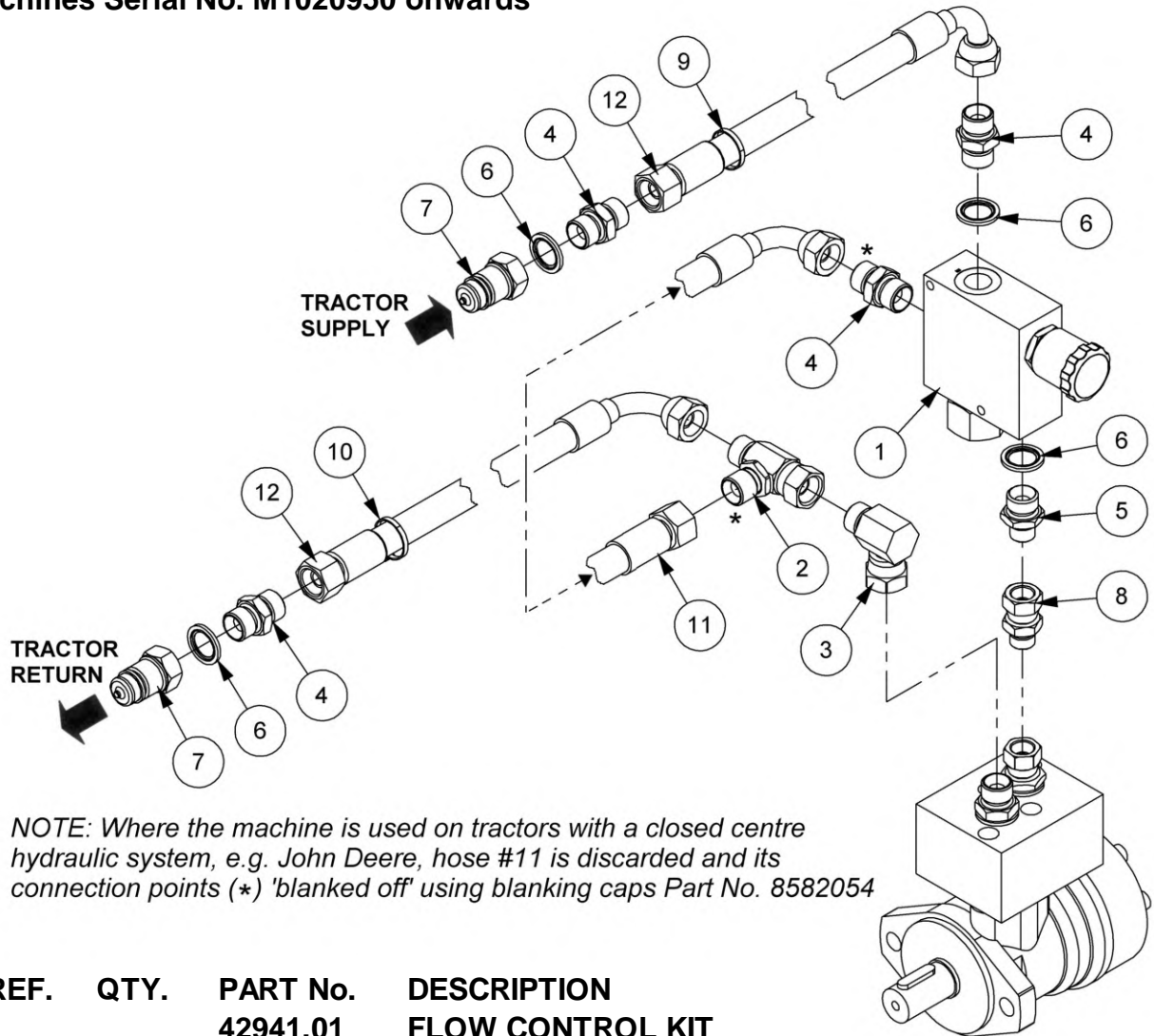
REF.	QTY.	PART No.	DESCRIPTION
		42903.01	MOTOR ASSEMBLY
1	1	1989057	HYDRAULIC MOTOR
2	1	41360.01	MOTOR VALVE PLATE
3	1	8130124	RELIEF VALVE (140BAR)
4	1	8130032	RELIEF VALVE CAP
5	1	8116011	SPRING
6	4	9343104	CAPSCREW
7	1	8650103	BONDED SEAL
8	2	8650104	BONDED SEAL
9	2	8600403	O RING
10	1	8581110	ADAPTOR
11	1	8581285	ADAPTOR

FLOW CONTROL KITS

McCONNEL

Module(s): 42941.01 (Rev.E), 42941.02 (Rev.C), 42941.03 (Rev.C)

Machines Serial No. M1020950 onwards



NOTE: Where the machine is used on tractors with a closed centre hydraulic system, e.g. John Deere, hose #11 is discarded and its connection points () 'blanked off' using blanking caps Part No. 8582054*

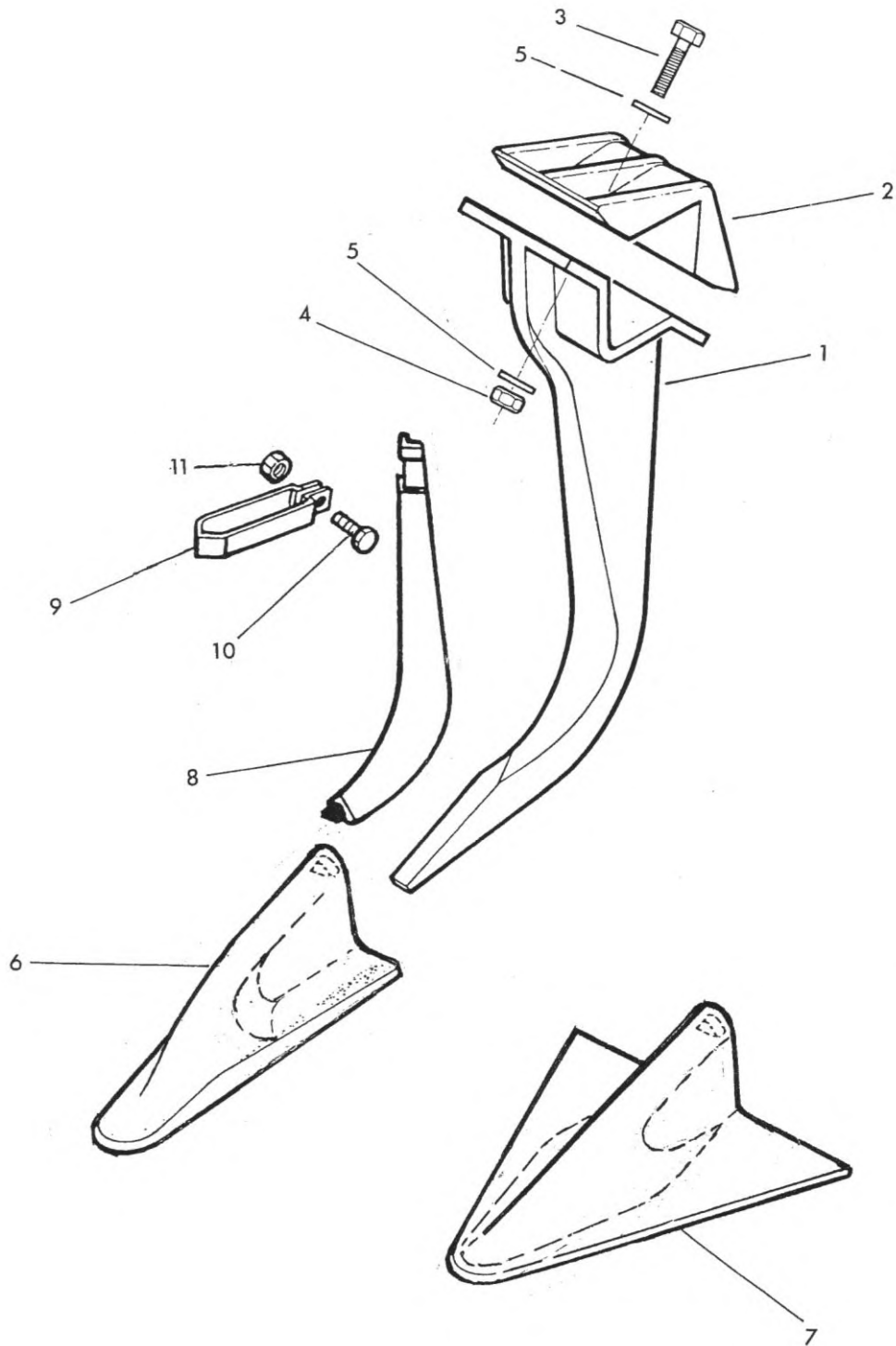
REF.	QTY.	PART No.	DESCRIPTION	
		42941.01	FLOW CONTROL KIT	
		42941.02	FLOW CONTROL KIT	
		42941.03	FLOW CONTROL KIT	
1	1	8104047	FLOW CONTROL VALVE	
2	1	520728	ADAPTOR TEE	
3	1	G5200331	ADAPTOR ELBOW	
4	4	8581110	ADAPTOR	
5	1	6000112	ADAPTOR	
6	5	8650104	BONDED SEAL	
7	2	8590074	QUICK RELEASE	
8	1	8581178	SWIVEL ADAPTOR	
9	1	22941.01	RED CABLE TIE	
10	1	22941.02	BLUE CABLE TIE	
11	1	8533144	HOSE - 1/2" BSP FS/F90 x 22"	<i>Kits 42941.01 & .02</i>
	1	10.006.11	HOSE - 1/2" BSP FS/F90 x 550mm	<i>Kit 42941.03 only</i>
12	2	8533094	HOSE - 1/2" BSP FS/F90 x 63"	<i>Kit 42941.01 only</i>
	2	10.006.38	HOSE - 1/2" BSP FS/F90 x 2800mm	<i>Kit 42941.02 only</i>
	2	10.006.40	HOSE - 1/2" BSP FS/F90 x 3000mm	<i>Kit 42941.03 only</i>

NOTE: Flow Control Kits contain identical components they differ only in the lengths of their hoses.

LEG ASSEMBLIES (KNOCK ON POINT TYPE)

McCONNEL

Module(s): 1065799, 1065798

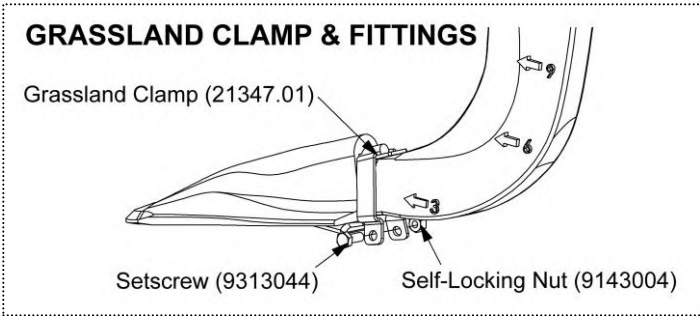
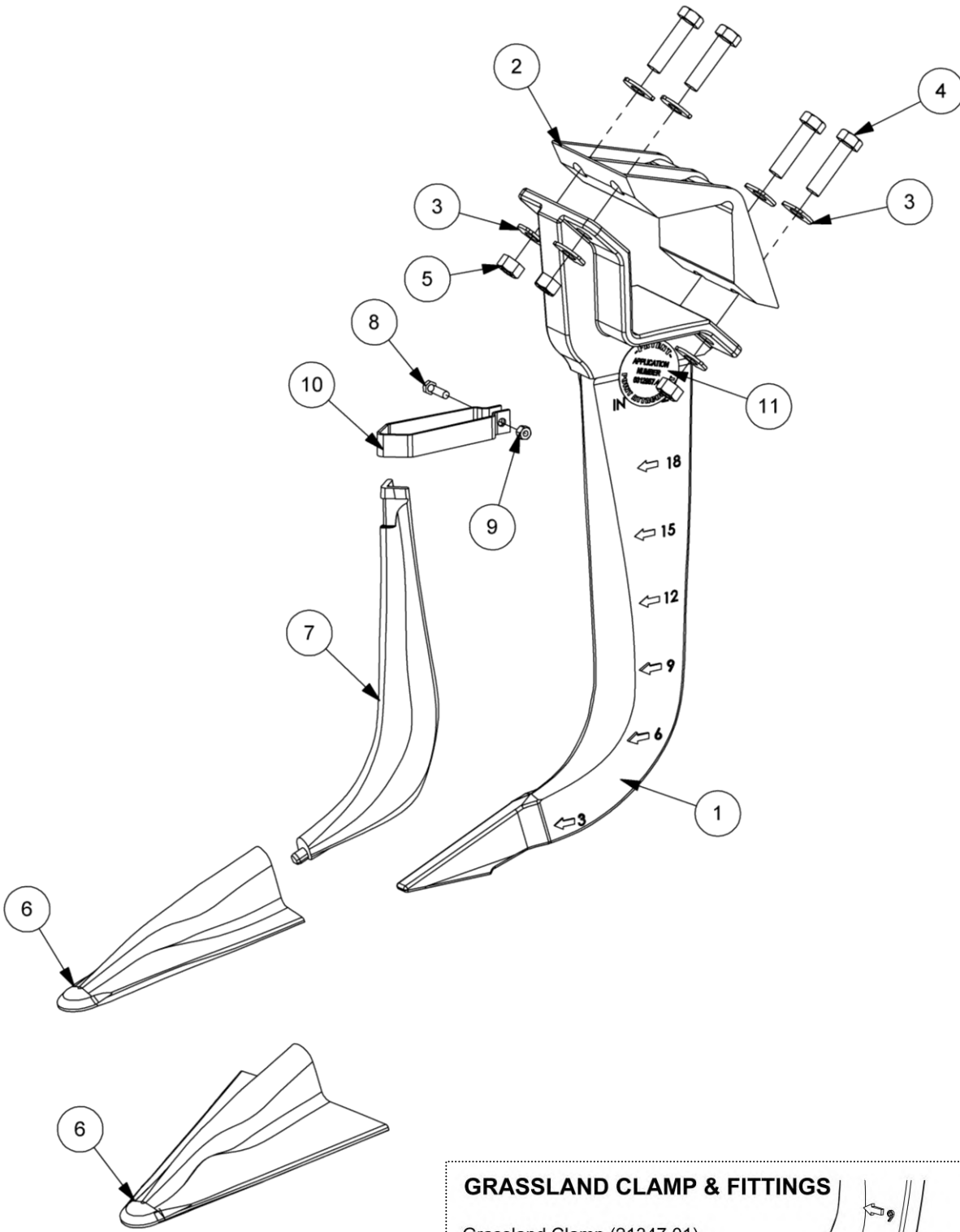


LEG ASSEMBLIES (KNOCK ON POINT TYPE)

McCONNEL

Module(s): 1065799, 1065798

REF.	QTY.	PART No.	DESCRIPTION
		1065799	24" LEG ASSEMBLY - LONGLIFE (KNOCK ON) POINT
		1065798	24" LEG ASSEMBLY - DELTA (KNOCK ON) POINT
		1065327	24" SHANK ASSEMBLY - <i>includes:</i>
1	1	1065275	SHANK
2	1	1065276	CLAMP
3	4	0200020	BOLT
4	4	0111006	NUT
5	8	1065077	SPECIAL WASHER
6	1	1065920	LONGLIFE SUBSOILING POINT (<i>Knock On</i>)
7	1	43076.02	DELTA CULTIVATION POINT (<i>Knock On</i>)
8	1	1065782	WEAR SHIN
9	1	1065248	CLAMP
10	1	9143004	SETSCREW
11	1	9313064	SELF-LOCKING NUT



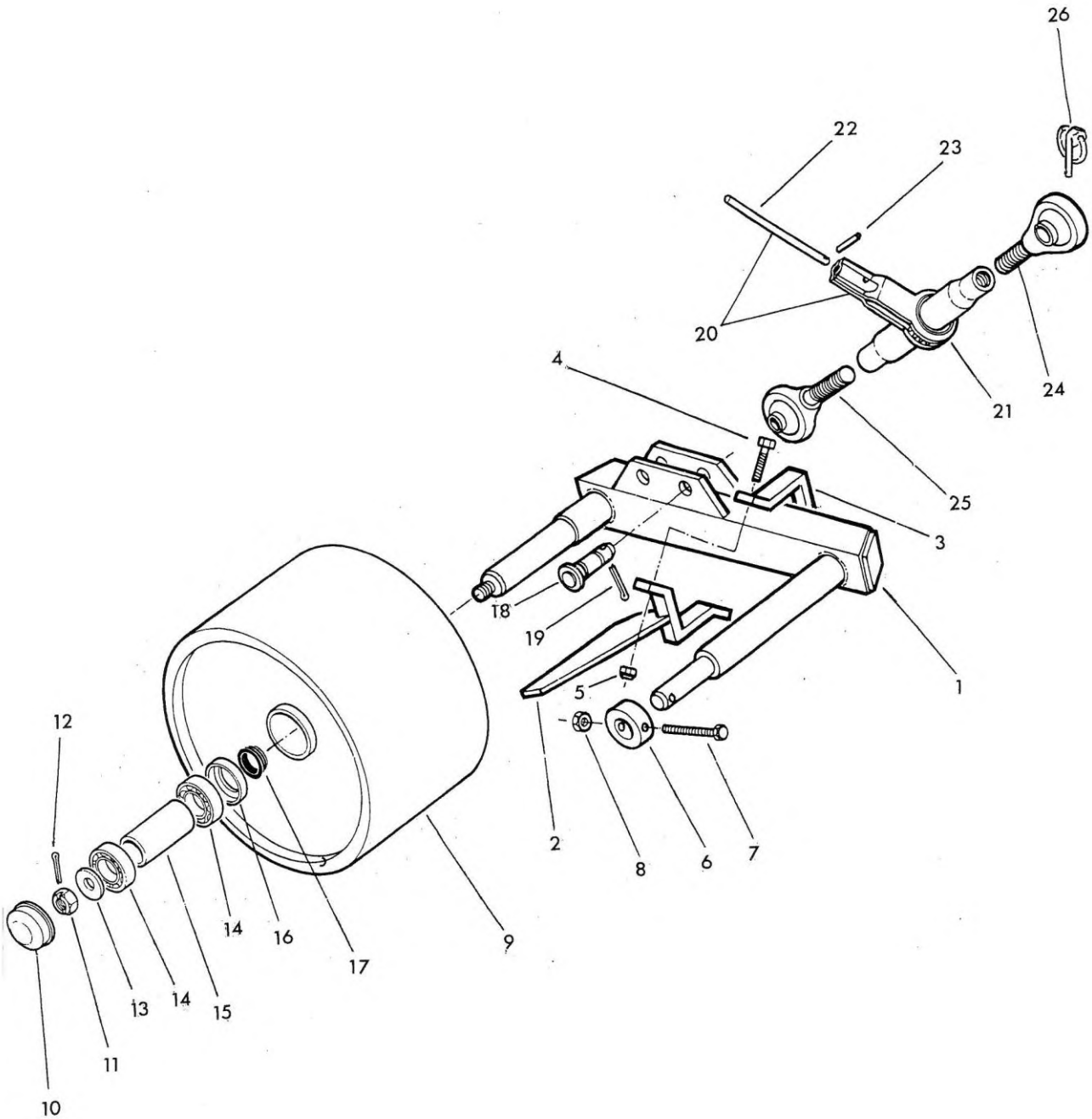
LEG ASSEMBLIES (SLIPPER POINT TYPE)

McCONNEL

Module(s): 1065831, 1065832

REF.	QTY.	PART No.	DESCRIPTION
		1065831	24" LEG ASSEMBLY - LONGLIFE (SLIPPER) POINT
		1065832	24" LEG ASSEMBLY - DELTA (SLIPPER) POINT
		1065830	24" SHANK ASSEMBLY (<i>Comprises of items 1 - 5</i>)
1	1	43085.04	SLIPPER SHANK CLAMP
2	1	1065276	CLAMP PLATE
3	8	1065077	SPECIAL WASHER
4	4	0200020	SPECIAL BOLT
5	4	0111006	NUT
6	1	1065921	LONGLIFE SLIPPER POINT (<i>Assembly 1065831</i>)
	1	1065922	DELTA SLIPPER POINT (<i>Assembly 1065832</i>)
7	1	10657821	WEAR SHIN
8	1	9313064	SETSCREW
9	1	9143004	SELF-LOCKING NUT
10	1	1065248	CLAMP PRESSING
11	1	21365.03	PATENT DECAL
		1065839	24" LEG ASSEMBLY (GRASSLAND)
		1065830	24" SHANK ASSEMBLY (<i>Comprises of items 1 - 5</i>)
1	1	43085.04	SLIPPER SHANK CLAMP
2	1	1065276	CLAMP PLATE
3	8	1065077	SPECIAL WASHER
4	4	0200020	SPECIAL BOLT
5	4	0111006	NUT
6	1	1065921	LONGLIFE SLIPPER POINT
(●)	1	21347.01	GRASSLAND CLAMP
(●)	1	9313044	SETSCREW
(●)	1	9143004	SELF-LOCKING NUT

For grassland use where shanks are used without wear shins fitted the following items (●) above are required for slipper point attachment (per leg) - see *illustration opposite*



Module(s): 1065795

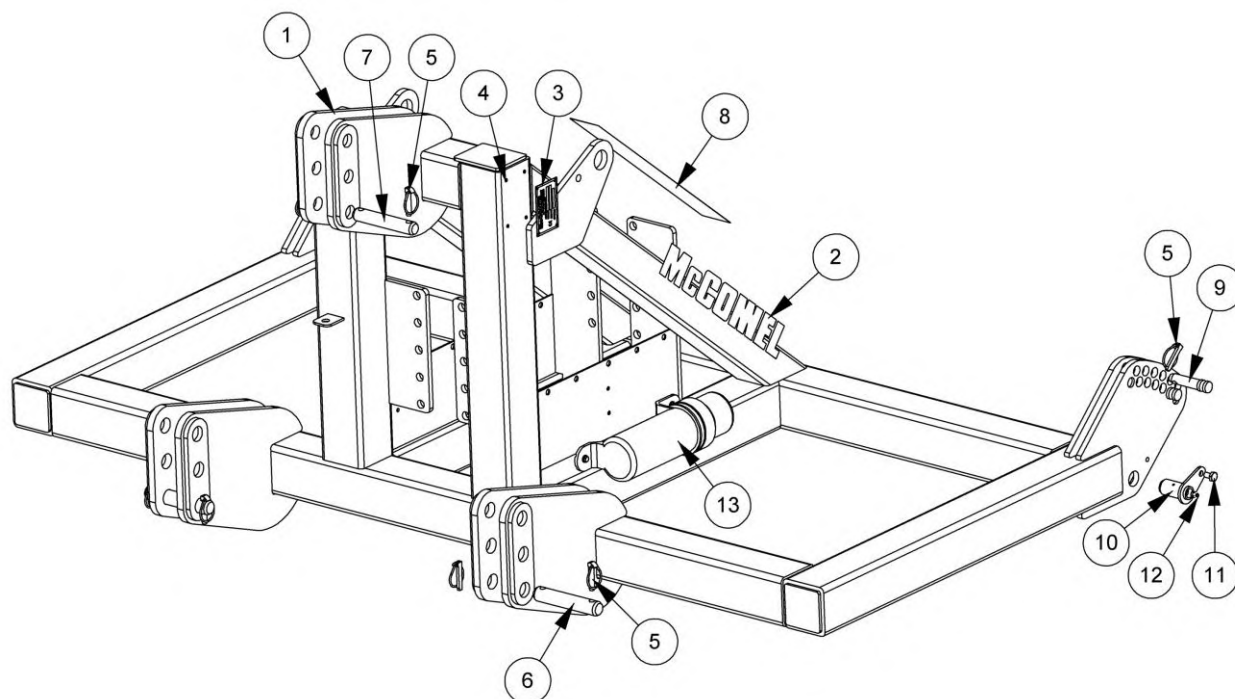
REF.	QTY.	PART No.	DESCRIPTION
		1065795	WHEEL & ARM ASSEMBLY KIT
		1065505	WHEEL ASSEMBLY - R/H
		1065506	WHEEL ASSEMBLY - L/H
1	1	1065501	WHEEL ARM - R/H
	1	1065502	WHEEL ARM - L/H (<i>not illustrated</i>)
2	1	1065503	SCRAPER - R/H
	1	1065504	SCRAPER - L/H (<i>not illustrated</i>)
3	1	1065030	CLAMP
4	2	0200009	BOLT
5	2	0141006	SELF-LOCKING NUT
6	1	1065211	PIVOT AXLE LOCK RING
7	1	9213145	BOLT
8	1	9143005	SELF-LOCKING NUT
9	1	1065496	WHEEL
10	1	1065215	HUB CAP
11	1	0172009	SLOTTED NUT
12	1	0503125	SPLIT PIN
13	1	1065225	CLAMP WASHER
14	2	0600055	BEARING
15	1	1065224	BEARING SPACER
16	1	1065226	SEAL CAP
17	1	8629143	SEAL
18	1	1065212	SHEAR PIN
19	1	0503104	SPLIT PIN
	2	1065481	RATCHET LINK ASSEMBLY - <i>including:</i>
20	1	1065188	TUBE RATCHET WITH HANDLE
21	1	1065216	RATCHET
22	1	7115217	HANDLE
23	1	0421820	SPRING DOWEL
24	1	1065189	BALL END CAT.3
25	1	1065190	BALL END CAT.1
26	2	0431217	LINCH PIN

Grassland Models

2.0M GRASSLAND FRAME ASSEMBLY

McCONNEL

Module(s): 1065837

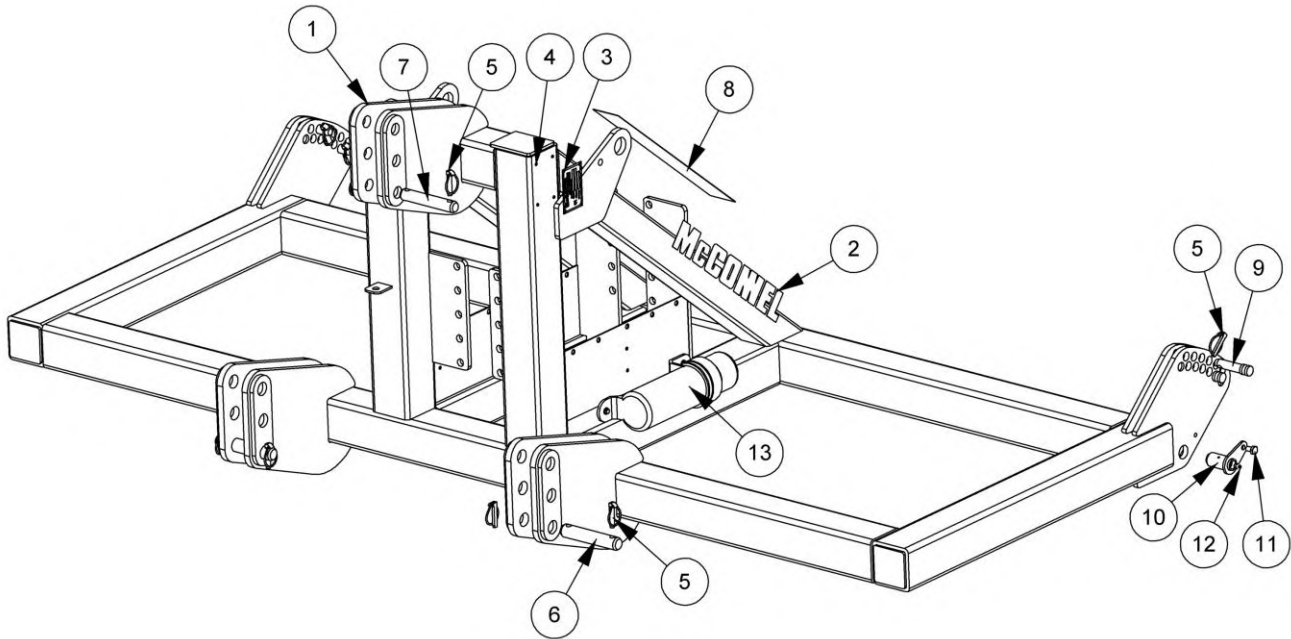


REF.	QTY.	PART No.	DESCRIPTION
		1065837	2.0M GRASSLAND FRAME
1	1	22580.01	2.0M FRAME ASSEMBLY
2	2	1290255	DECAL - McCONNEL
3	1	1335246	SERIAL No. PLATE
4	4	7103230	POP RIVET
5	10	0431217	LINCH PIN
6	2	10650201	LINKAGE PIN
7	1	10650271	TOP LINK PIN
8	2	1065847	DECAL - SHAKAERATOR
9	4	41267.08	LINK PIN
10	2	42684.16	ROLLER ATTACHMENT PIN
11	2	9313035	SETSCREW
12	2	0901121	GREASE NIPPLE
13	1	46505.02	MANUAL HOLDER

2.5M GRASSLAND FRAME ASSEMBLY

McCONNEL

Module(s): 1065840

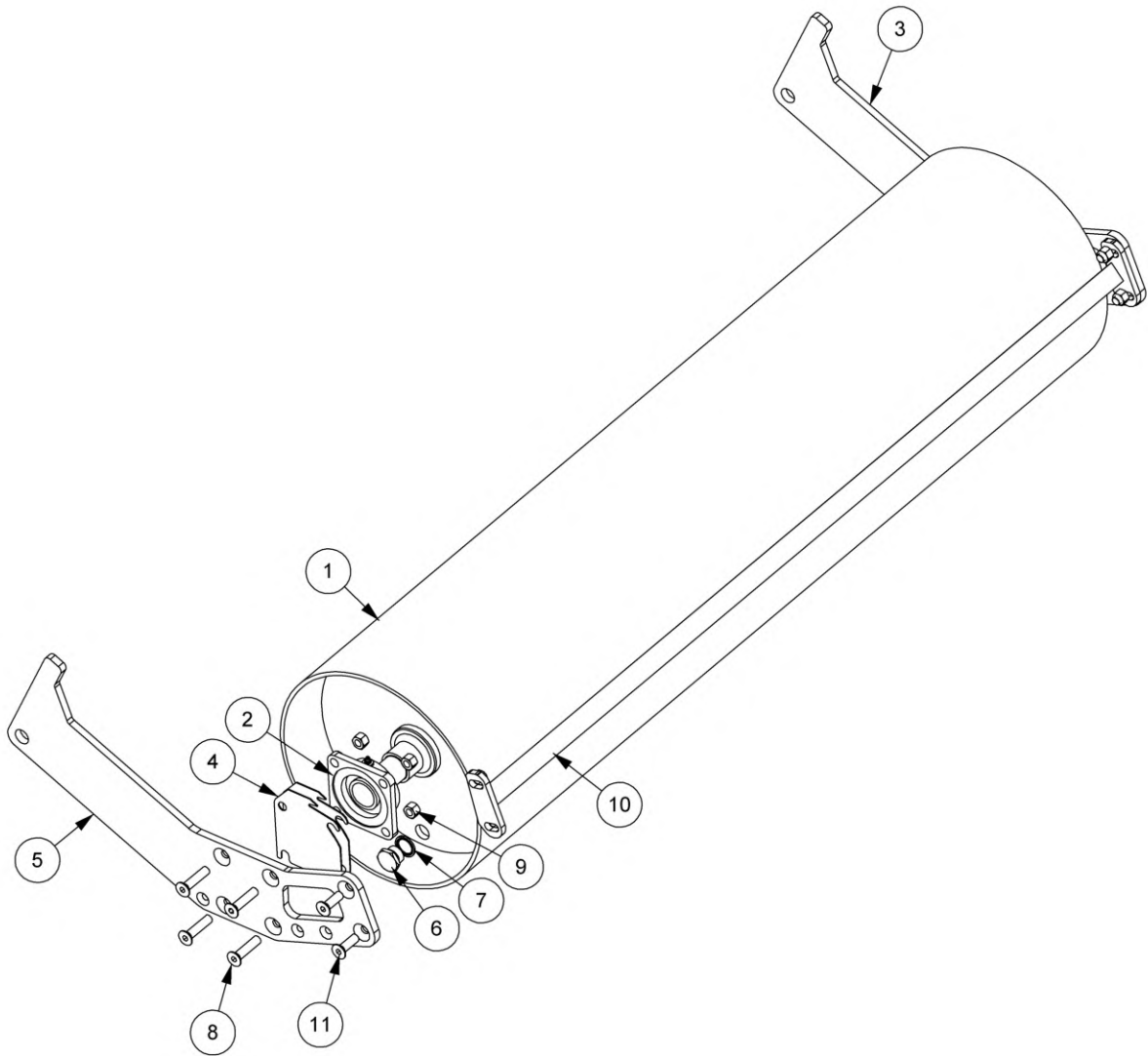


REF.	QTY.	PART No.	DESCRIPTION
		1065840	2.5M GRASSLAND FRAME
1	1	22580.03	2.5M FRAME ASSEMBLY
2	2	1290255	DECAL - McCONNEL
3	1	1335246	SERIAL No. PLATE
4	4	7103230	POP RIVET
5	10	0431217	LINCH PIN
6	2	10650201	LINKAGE PIN
7	1	10650271	TOP LINK PIN
8	2	1065847	DECAL - SHAKAERATOR
9	4	41267.08	LINK PIN
10	2	42684.16	ROLLER ATTACHMENT PIN
11	2	9313035	SETSCREW
12	2	0901121	GREASE NIPPLE
13	1	46505.02	MANUAL HOLDER

2.0M GRASSLAND ROLLER ASSEMBLY

McCONNEL

Module(s): 1065838

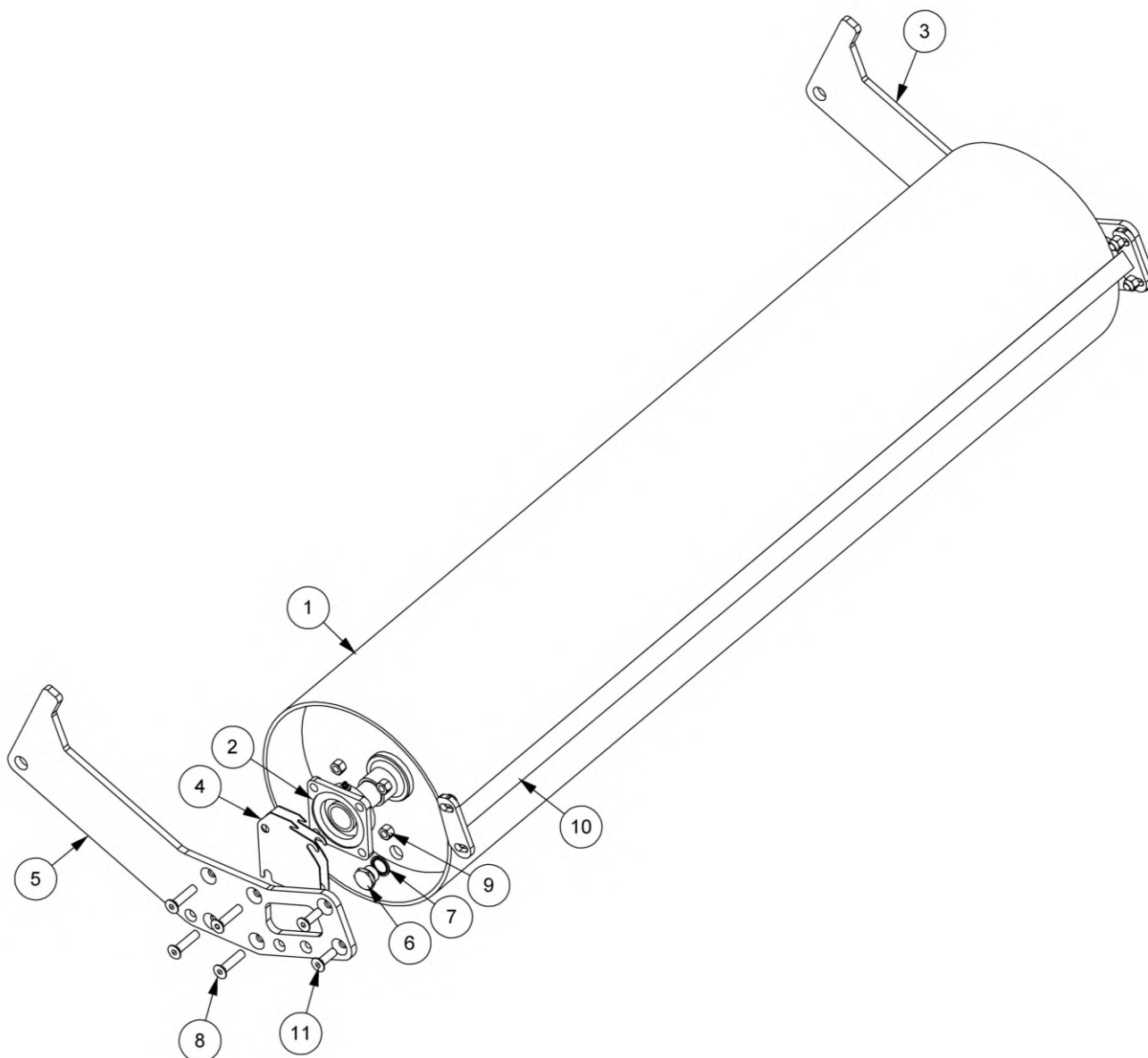


REF.	QTY.	PART No.	DESCRIPTION
		1065838	2.0M GRASSLAND ROLLER ASSEMBLY
1	1	22581.01	2.0M ROLLER
2	2	0600062	BEARING
3	1	22581.33	R/H ATTACHMENT PLATE
4	4	21124.03	BEARING PACKER
5	1	22581.32	L/H ATTACHMENT PLATE
6	2	8581159	BLANKING PLUG
7	2	8650108	BONDED SEAL
8	8	9353147	SETSCREW
9	12	9143007	SELF-LOCKING NUT
10	1	22581.02	SUPPORT BAR/SCRAPER
11	4	9353107	CAPSCREW

2.5M GRASSLAND ROLLER ASSEMBLY

McCONNEL

Module(s): 1065842

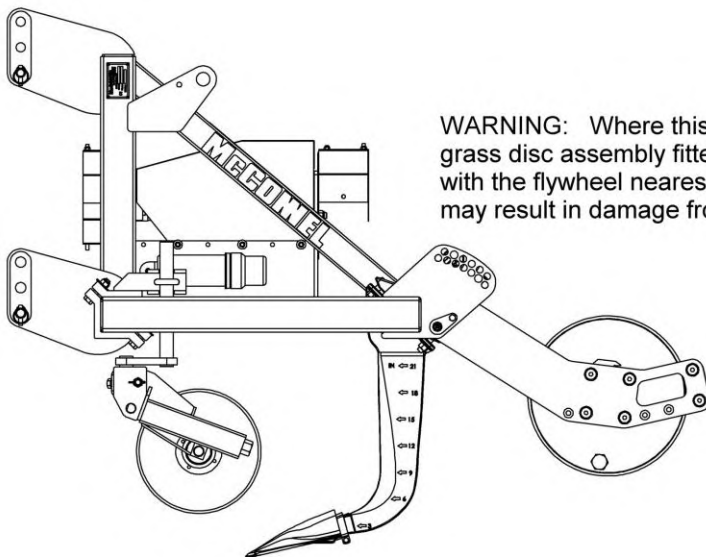
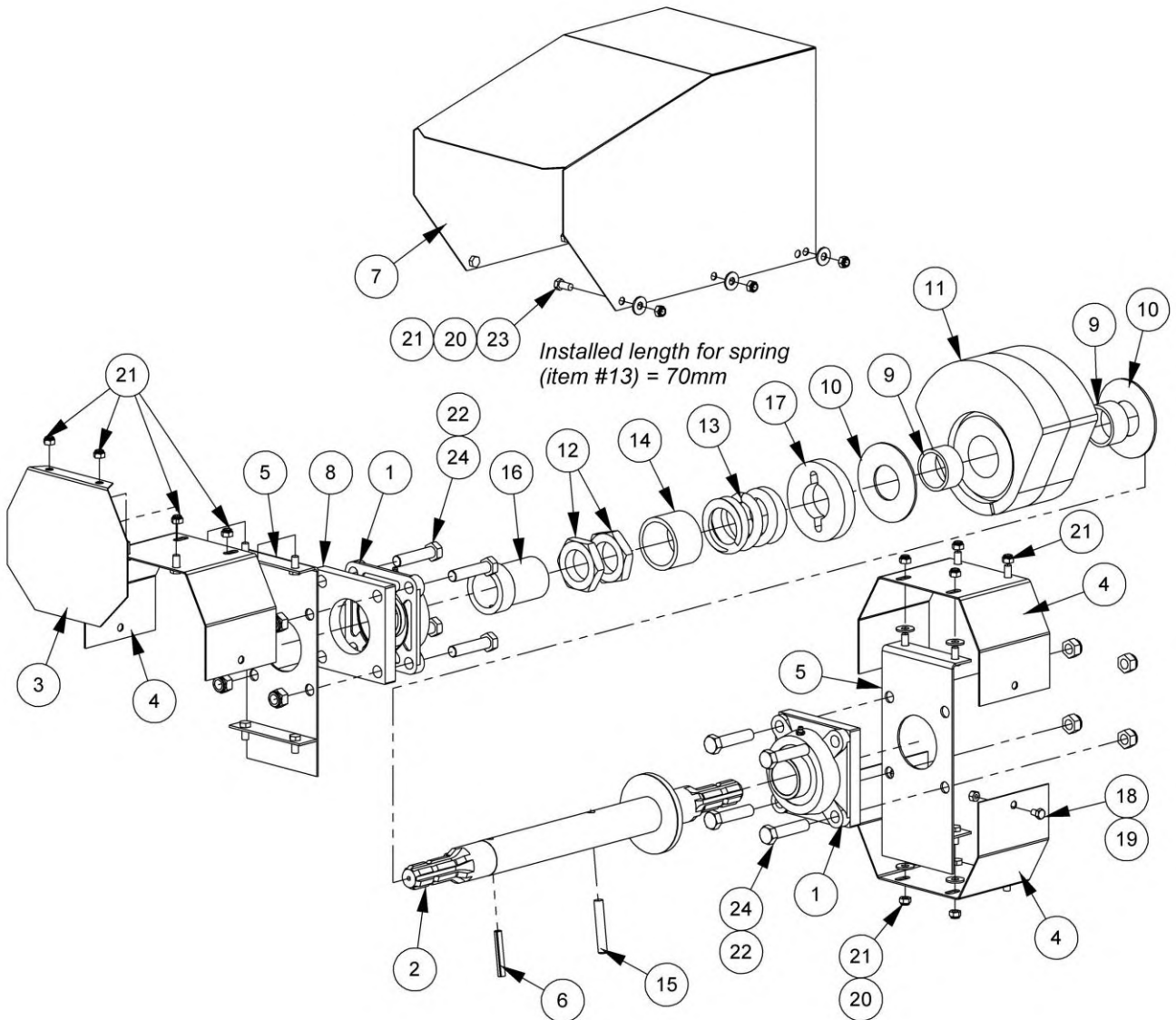


REF.	QTY.	PART No.	DESCRIPTION
		1065842	2.5M GRASSLAND ROLLER ASSEMBLY
1	1	22581.03	2.5M ROLLER
2	2	0600062	BEARING
3	1	22581.33	R/H ATTACHMENT PLATE
4	4	21124.03	BEARING PACKER
5	1	22581.32	L/H ATTACHMENT PLATE
6	2	8581159	BLANKING PLUG
7	2	8650108	BONDED SEAL
8	8	9353147	SETSCREW
9	12	9143007	SELF-LOCKING NUT
10	1	22581.04	SUPPORT BAR/SCRAPER
11	4	9353107	CAPSCREW

540RPM THROUGH DRIVE ASSEMBLY

McCONEL

Module(s): 1065606



WARNING: Where this unit is attached to a grassland frame with a grass disc assembly fitted directly below it, the unit must be mounted with the flywheel nearest the rear of the frame - failure to observe this may result in damage from the components colliding with each other.

540RPM THROUGH DRIVE ASSEMBLY

McCONNEL

Module(s): 1065606

REF.	QTY.	PART No.	DESCRIPTION
		1065606	540RPM THROUGH DRIVE ASSEMBLY
1	2	0600054	FLANGED BEARING UNIT
2	1	1065585B	DRIVE SHAFT
3	1	1066027	END PLATE
4	3	1065626B	GUARD
5	2	1066026B	GUARD MOUNTING PLATE
6	1	0446165	SPIROL PIN
7	1	1065466	TOP GUARD
8	2	1065532	BEARING PLATE
9	2	6000160	BUSH
10	2	1065135	CLUTCH DISC
11	1	1066280	FLYWHEEL
12	2	1065147	LOCKNUT
13	1	1066015	SPRING
14	1	1065249	SLEEVE
15	1	1065136	DRIVE PIN
16	1	1066014	SLEEVE
17	1	1066050	DRIVE COLLAR (THIN)
18	2	9313024	SETSCREW
19	2	9143004	SELF-LOCKING NUT
20	10	0100103	FLAT WASHER
21	16	0141003	CLEVELOC NUT
22	6	0311063	SCREW
23	8	0141006	CLEVELOC NUT
24	8	0211226	BOLT

Assemble collar (item 17) with the machined face in contact with the clutch friction disc (item 10).

Bearing flange bolts to be tightened to 2001bs/ft (271Nm). Assemble machined face of bearing backing plate (item 8) in contact with the bearing flange (item 1).

Peen holes in sleeve (item 16) to retain roll pin securely.

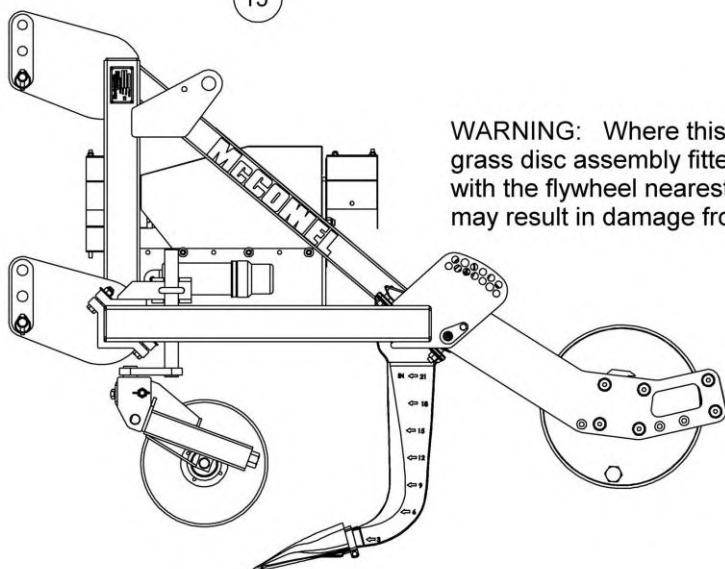
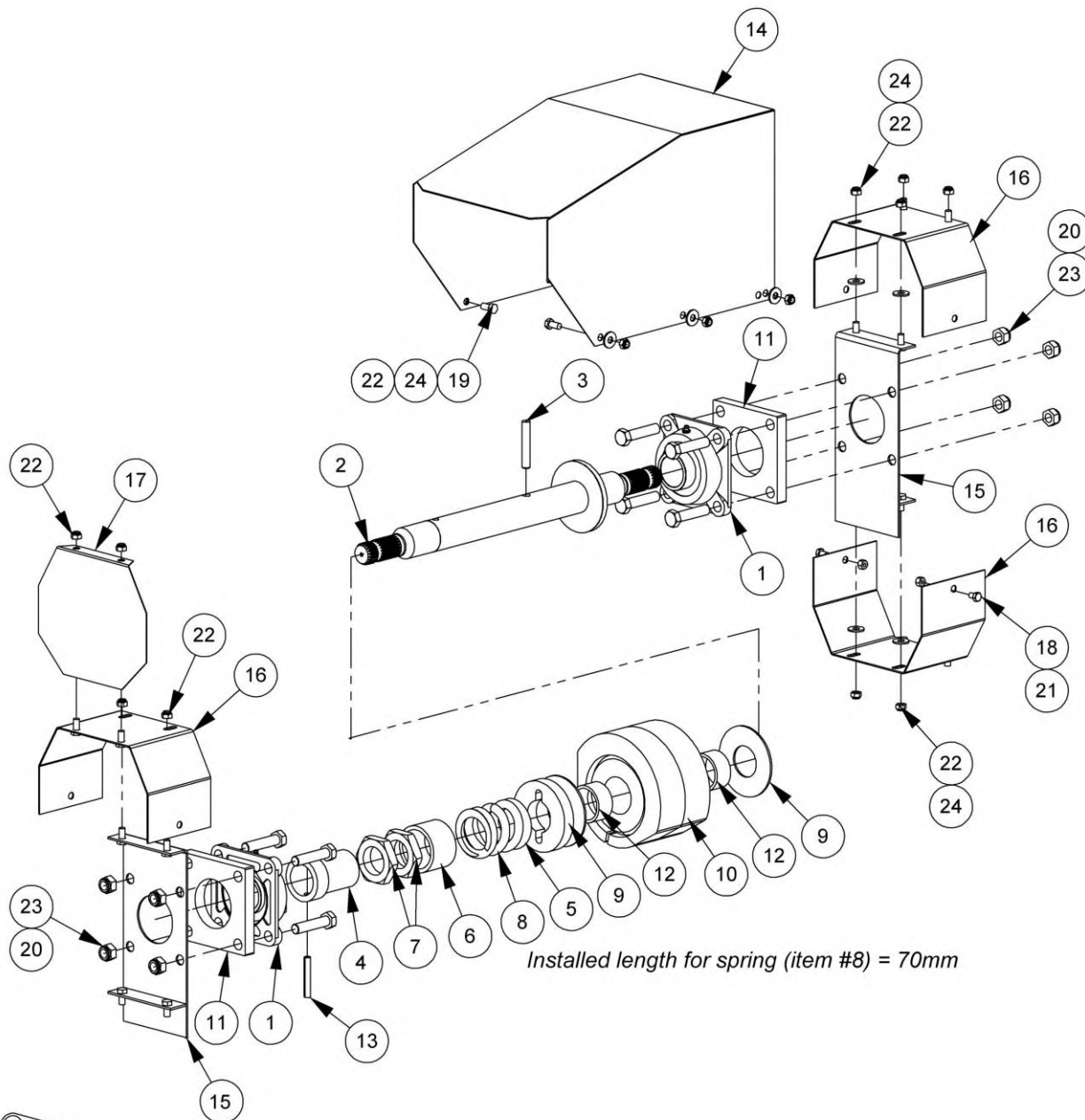
CONVERTION KIT - 540RPM (1065606) TO 21 SPLINE 1000RPM (1065607)

		1065609	540RPM TO 1000RPM CONVERSION KIT
	1	1065666	PTO SHAFT ASSEMBLY - <i>not illustrated</i>
	1	1065586	THROUGH DRIVE SHAFT
	1	1065136	DRIVE PIN
	1	1065457	COUNTERWEIGHT
	4	0242183	SOCKET HEAD CAPSCREW

1000RPM THROUGH DRIVE ASSEMBLY

McCONNEL

Module(s): 1065607 (21 Spline), 1065608 (20 Spline)



WARNING: Where this unit is attached to a grassland frame with a grass disc assembly fitted directly below it, the unit must be mounted with the flywheel nearest the rear of the frame - failure to observe this may result in damage from the components colliding with each other.

1000RPM THROUGH DRIVE ASSEMBLY

McCONNEL

Module(s): 1065607 (21 Spline), 1065608 (20 Spline)

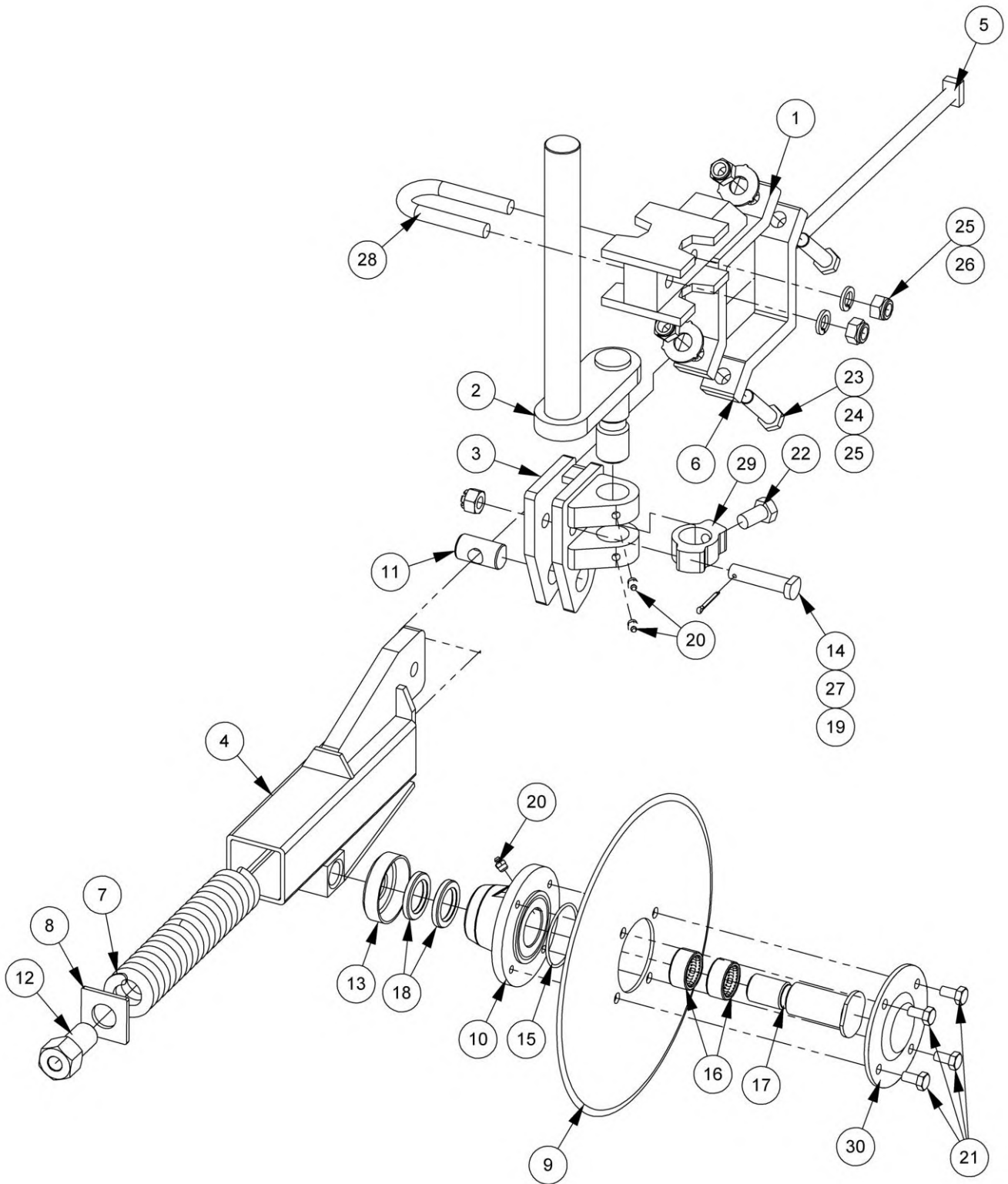
REF.	QTY.	PART No.	DESCRIPTION
		1065607	1000RPM THROUGH DRIVE - 21 SPLINE
		1065608	1000RPM THROUGH DRIVE - 20 SPLINE
1	2	0600054	FLANGED BEARING UNIT
2	1	1065586B	DRIVE SHAFT - 21 SPLINE (1065607 Builds)
	1	1065587	DRIVE SHAFT - 20 SPLINE (1065608 Builds)
3	1	1065136	DRIVE PIN
4	1	1066014	SLEEVE
5	1	1066050	DRIVE COLLAR (THIN)
6	1	1065249	SLEEVE
7	2	1065147	LOCKNUT
8	1	1066015	SPRING
9	2	1065135	CLUTCH DISC
10	1	1066281	FLYWHEEL
11	2	1065532	BEARING PLATE
12	2	6000160	BUSH
13	1	0446165	SPIROL PIN
14	3	1065626B	GUARD
15	2	1066026B	GUARD MOUNTING PLATE
16	1	1065466	TOP GUARD
17	1	1066027	END PLATE
18	2	9313024	SETSCREW
19	2	9143004	SELF-LOCKING NUT
20	10	0100103	FLAT WASHER
21	16	0141000	CLEVELOC NUT
22	6	0311063	SCREW
23	8	0211226	BOLT
24	8	0141006	CLEVELOC NUT

*Assemble collar (item 5) with the machined face in contact with the clutch friction disc (item 9).
 Bearing flange bolts to be tightened to 2001bs/ft (271Nm). Assemble machined face of bearing
 backing plate (item11) in contact with the bearing flange (item 1).
 Peen holes in sleeve (item 4) to retain roll pin securely.*

GRASS DISC ASSEMBLY

Module(s): 1065676

McCONNEL

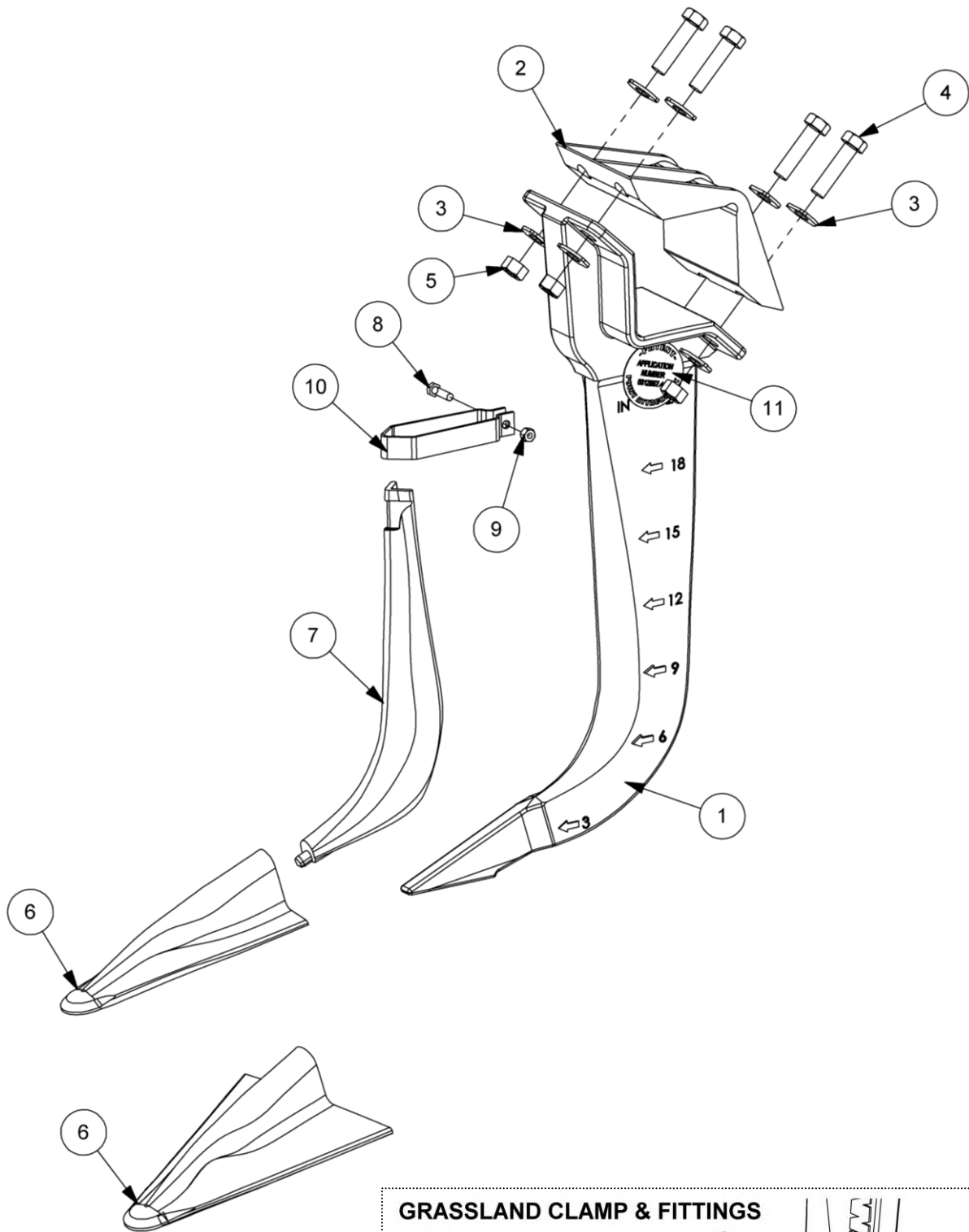


GRASS DISC ASSEMBLY

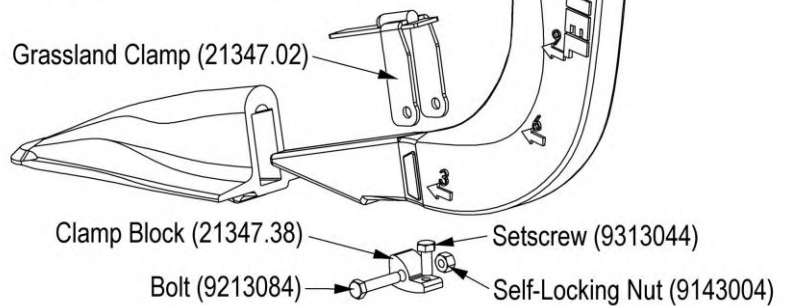
McCONNEL

Module(s): 1065676

REF.	QTY.	PART No.	DESCRIPTION
		1065676	GRASS DISC ASSEMBLY
1	1	1065420	COULTER BRACKET
2	1	1065421	DISC CUTTER SHAFT
3	1	1066054	PIVOT BRACKET
4	1	1065674	TRAILING ARM
5	1	1066058	SPRING TENSIONER BOLT
6	1	1065030	LEG CLAMP
7	1	1066063	SPRING
8	1	1066072	SQUARE WASHER
9	1	1065542	GRASS DISC
10	1	1065673	HUB
11	1	1066059	RETAINER PIN
12	1	1066060	NUT
13	1	1066061	BEARING HOUSING COVER
14	1	1066062	SPECIAL BOLT
15	1	8700738	O RING (METRIC)
16	2	0600068	NEEDLE BEARING
17	1	1066057	SPINDLE
18	2	8629142	SEAL
19	1	0503104	COTTER PIN
20	3	0901121	GREASE NIPPLE
21	4	9313045	SETSCREW
22	1	9313067	SETSCREW
23	2	0211246	BOLT
24	2	1065014	FRICTION GRIP WASHER
25	4	0141006	CLEVELOC NUT
26	2	0100206	SPRING WASHER
27	1	9173007	CASTLE HEX NUT
28	1	1065122	U BOLT
29	1	1066073	STOP BOSS
30	1	1065675	CLAMP PLATE



GRASSLAND CLAMP & FITTINGS



LEG ASSEMBLIES (SLIPPER POINT TYPE)

McCONNEL

Module(s): 1065831, 1065832

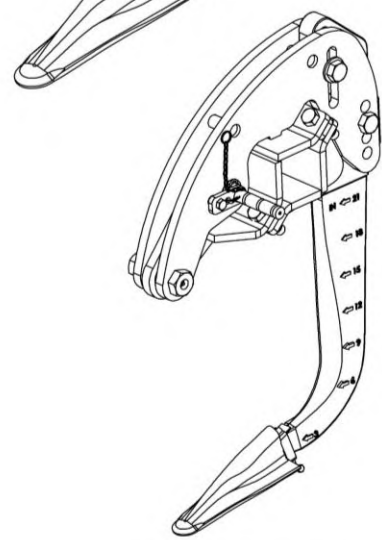
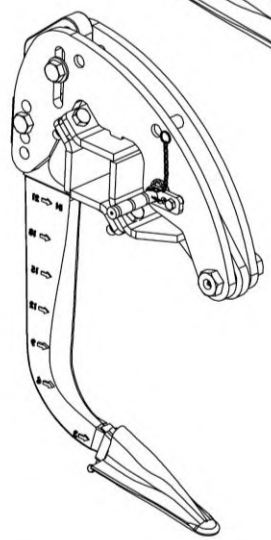
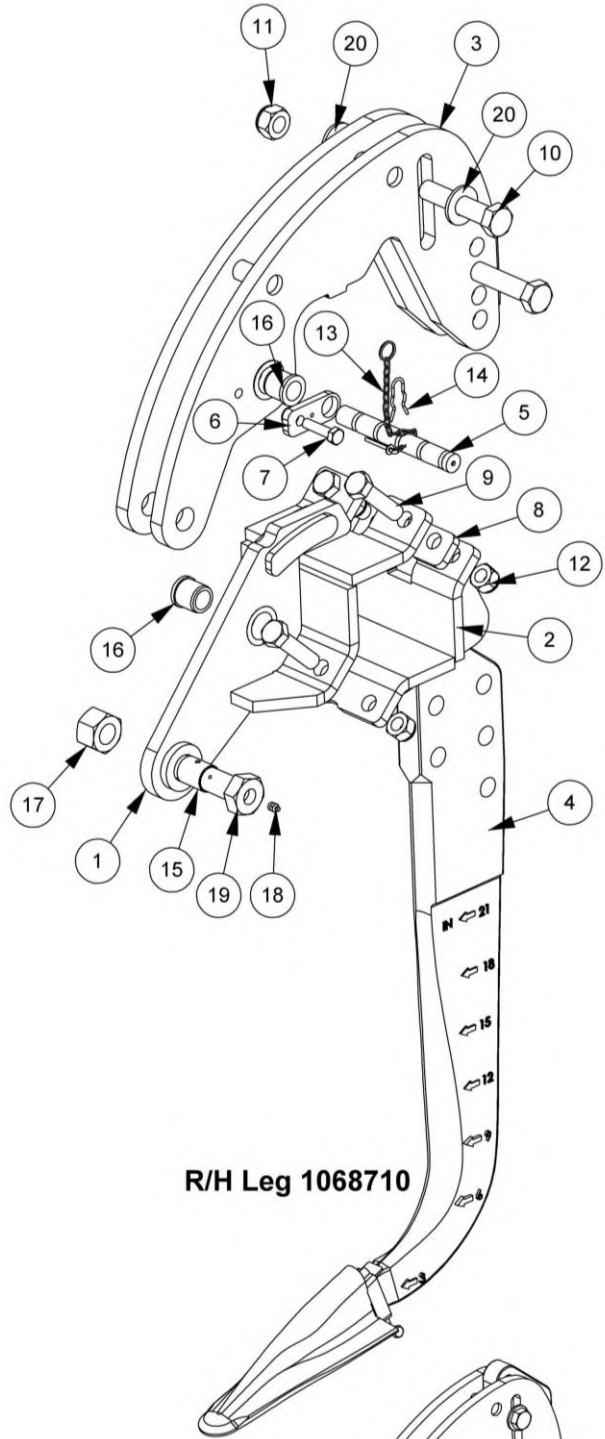
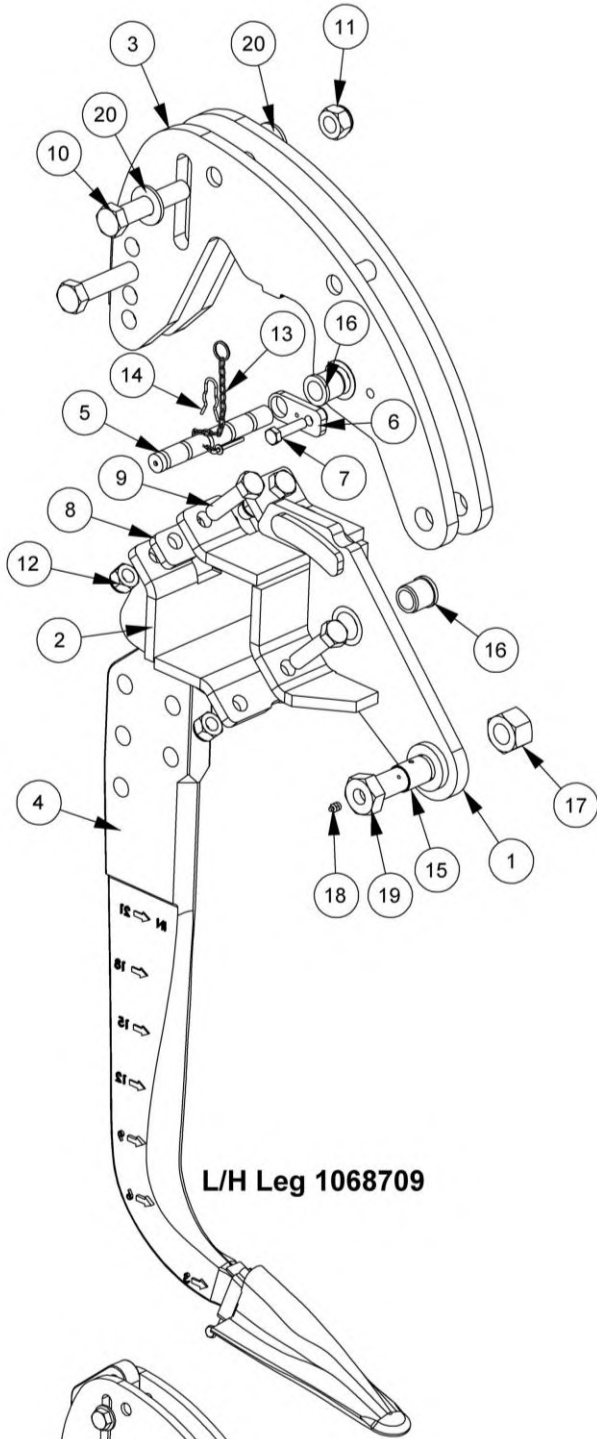
REF.	QTY.	PART No.	DESCRIPTION
		1065831	24" LEG ASSEMBLY - LONGLIFE (SLIPPER) POINT
		1065832	24" LEG ASSEMBLY - DELTA (SLIPPER) POINT
		1065830	24" SHANK ASSEMBLY (<i>Comprises of items 1-5</i>)
1	1	43085.04	SLIPPER SHANK CLAMP
2	1	1065276	CLAMP PLATE
3	8	1065077	SPECIAL WASHER
4	4	0200020	SPECIAL BOLT
5	4	0111006	NUT
6	1	1065921	LONGLIFE SLIPPER POINT (<i>Assembly 1065831</i>)
	1	1065922	DELTA SLIPPER POINT (<i>Assembly 1065832</i>)
7	1	10657821	WEAR SHIN
8	1	9313064	SETSCREW
9	1	9143004	SELF-LOCKING NUT
10	1	1065248	CLAMP PRESSING
11	1	21365.03	PATENT DECAL
		1065839	24" LEG ASSEMBLY (GRASSLAND)
		1065830	24" SHANK ASSEMBLY (<i>Comprises of items 1-5</i>)
1	1	43085.04	SLIPPER SHANK CLAMP
2	1	1065276	CLAMP PLATE
3	8	1065077	SPECIAL WASHER
4	4	0200020	SPECIAL BOLT
5	4	0111006	NUT
6	1	1065921	LONGLIFE SLIPPER POINT
(●)	1	21347.02	GRASSLAND CLAMP
(●)	1	21347.38	CLAMP BLOCK
(●)	1	9313044	SETSCREW
(●)	1	9213084	BOLT
(●)	1	9143004	SELF-LOCKING NUT

For grassland use where shanks are used without wear shins fitted the following items (●) above are required for slipper point attachment (per leg) - see *illustration opposite*.

MECHANICAL BREAKBACK LEG ASSEMBLIES

McCONEL

Module(s): 1068709 (L/H), 1068710 (R/H)



MECHANICAL BREAKBACK LEG ASSEMBLIES

McCONNEL

Module(s): 1068709 (L/H), 1068710 (R/H)

REF.	QTY.	PART No.	DESCRIPTION
		1068709	L/H MECHANICAL BREAKBACK LEG
1	1	22520.03	CLAMP HEAD BRACKET - L/H LEG
2	1	22520.02	BOTTOM CLAMP
3	1	22520.04	BREAKBACK PLATE - L/H LEG
4	1	1065844	30" LEG c/w SLIPPER POINT AND CLAMP
5	1	22520.54	SHEAR BAR
6	1	22520.06	SHEAR BAR SPACER
7	1	9213106	BOLT
8	2	22520.55	CLAMP SPACER
9	4	9200053	BOLT
10	2	9213249	BOLT
11	2	9163009	NYLOC NUT
12	4	9163008	NYLOC NUT
13	1	03.255.05	CHAIN/RING ASSEMBLY
14	1	22520.59	SPRING SHAFT CLIP
15	1	42654.08	BUSH
16	2	22889.01	HEADED BUSH
17	1	9100023	SELF-LOCKING NUT
18	1	0901121	GREASE NIPPLE
19	1	22520.68	SPECIAL BOLT
20	2	9100109	FLAT WASHER

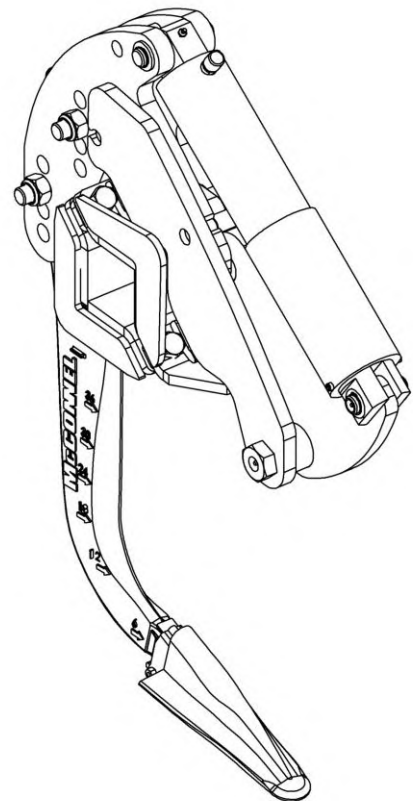
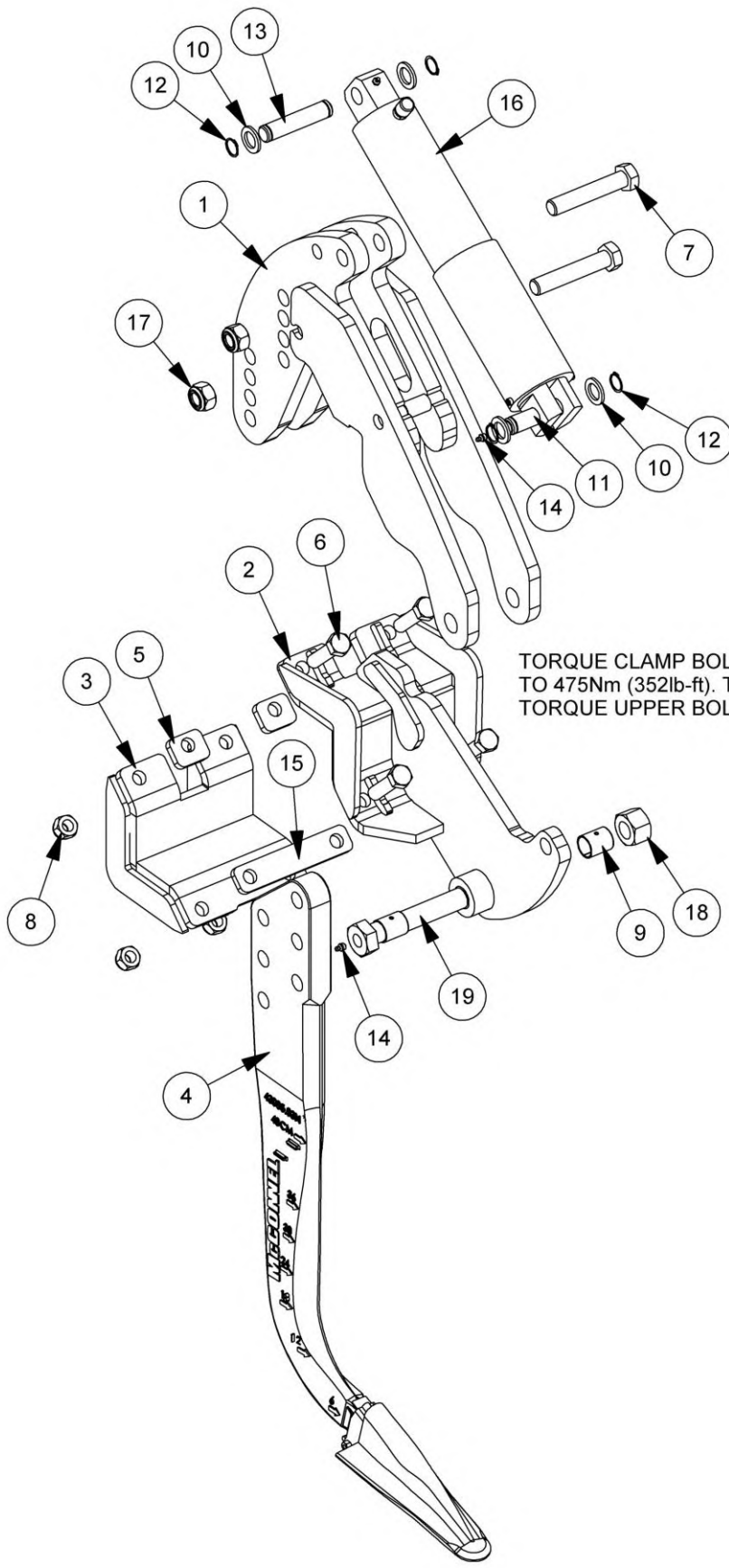
REF.	QTY.	PART No.	DESCRIPTION
		1068710	R/H MECHANICAL BREAKBACK LEG
1	1	22520.07	CLAMP HEAD BRACKET - R/H LEG
2	1	22520.02	BOTTOM CLAMP
3	1	22520.05	BREAKBACK PLATE - R/H LEG
4	1	1065844	30" LEG c/w SLIPPER POINT AND CLAMP
5	1	22520.54	SHEAR BAR
6	1	22520.06	SHEAR BAR SPACER
7	1	9213106	BOLT
8	2	22520.55	CLAMP SPACER
9	4	9200053	BOLT
10	2	9213249	BOLT
11	2	9163009	NYLOC NUT
12	4	9163008	NYLOC NUT
13	1	03.255.05	CHAIN/RING ASSEMBLY
14	1	22520.59	SPRING SHAFT CLIP
15	1	42654.08	BUSH
16	2	22889.01	HEADED BUSH
17	1	9100023	SELF-LOCKING NUT
18	1	0901121	GREASE NIPPLE
19	1	22520.68	SPECIAL BOLT
20	2	9100109	FLAT WASHER

NOTE: L/H & R/H Legs Assemblies comprise of identical components with the exception of items 1 & 3 which are handed components.

AUTO-RESET LEG ASSEMBLY

Module(s): 1068724

McCONNEL



AUTO-RESET LEG ASSEMBLY

McCONNEL

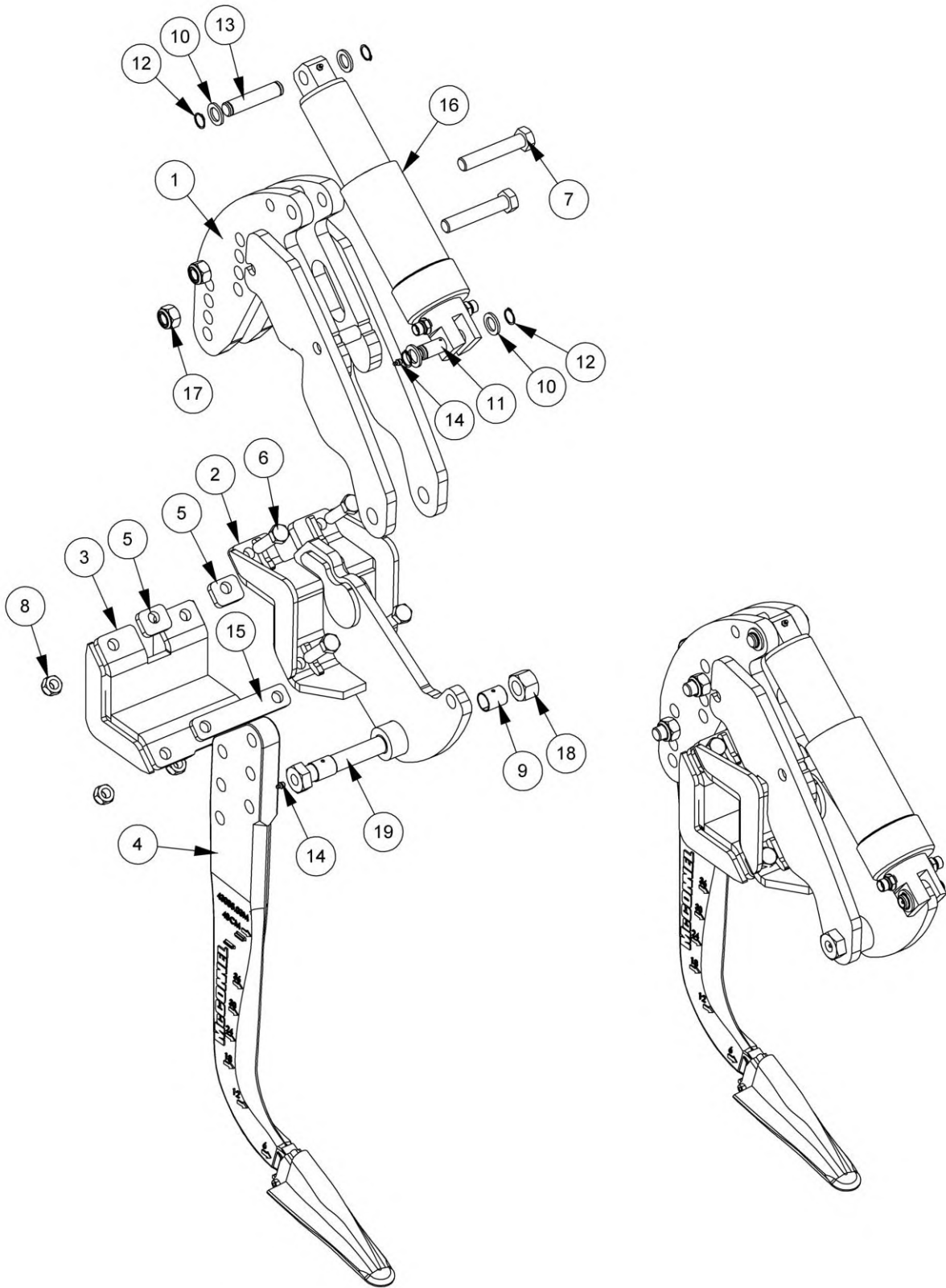
Module(s): 1068724

REF.	QTY.	PART No.	DESCRIPTION
		1068724	AUTO RESET LEG ASSEMBLY
1	1	22665.01	BREAKBACK PLATES
2	1	22665.02	CLAMP HEAD BRACKET
3	1	22665.03	BOTTOM CLAMP
4	1	1065844	30" LEG C/W SLIPPER POINT AND CLAMP
5	2	22520.55	CLAMP SPACER
6	4	9200053	BOLT
7	2	9213269	BOLT
8	4	9163008	NYLOC NUT
9	2	42654.08	BUSH
10	4	22520.66	SPACER WASHER
11	1	22520.67	RAM PIN
12	4	0401116	CIRCLIP (EXTERNAL)
13	1	22665.45	RAM PIN
14	2	0901121	GREASE NIPPLE
15	1	22665.39	CLAMP PLATE SPACER (DOUBLE)
16	1	22819.01	GAS STRUT
17	2	9163009	NYLOC NUT
18	1	9100023	SELF-LOCKING NUT
19	1	22665.46	SPECIAL BOLT

HYDRAULIC BREAKBACK LEG ASSEMBLY

Module(s): 1068713

McCONNEL



TORQUE CLAMP BOLTS (ITEM 6) TO 475N.M (352LB/FT)
TIGHTEN AND TORQUE UPPER BOLTS FIRST.

HYDRAULIC BREAKBACK LEG ASSEMBLY

McCONNEL

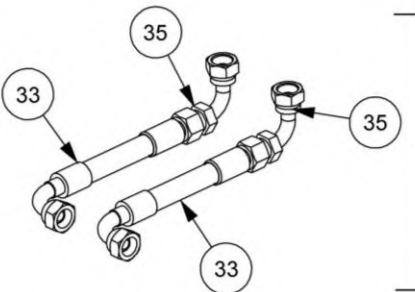
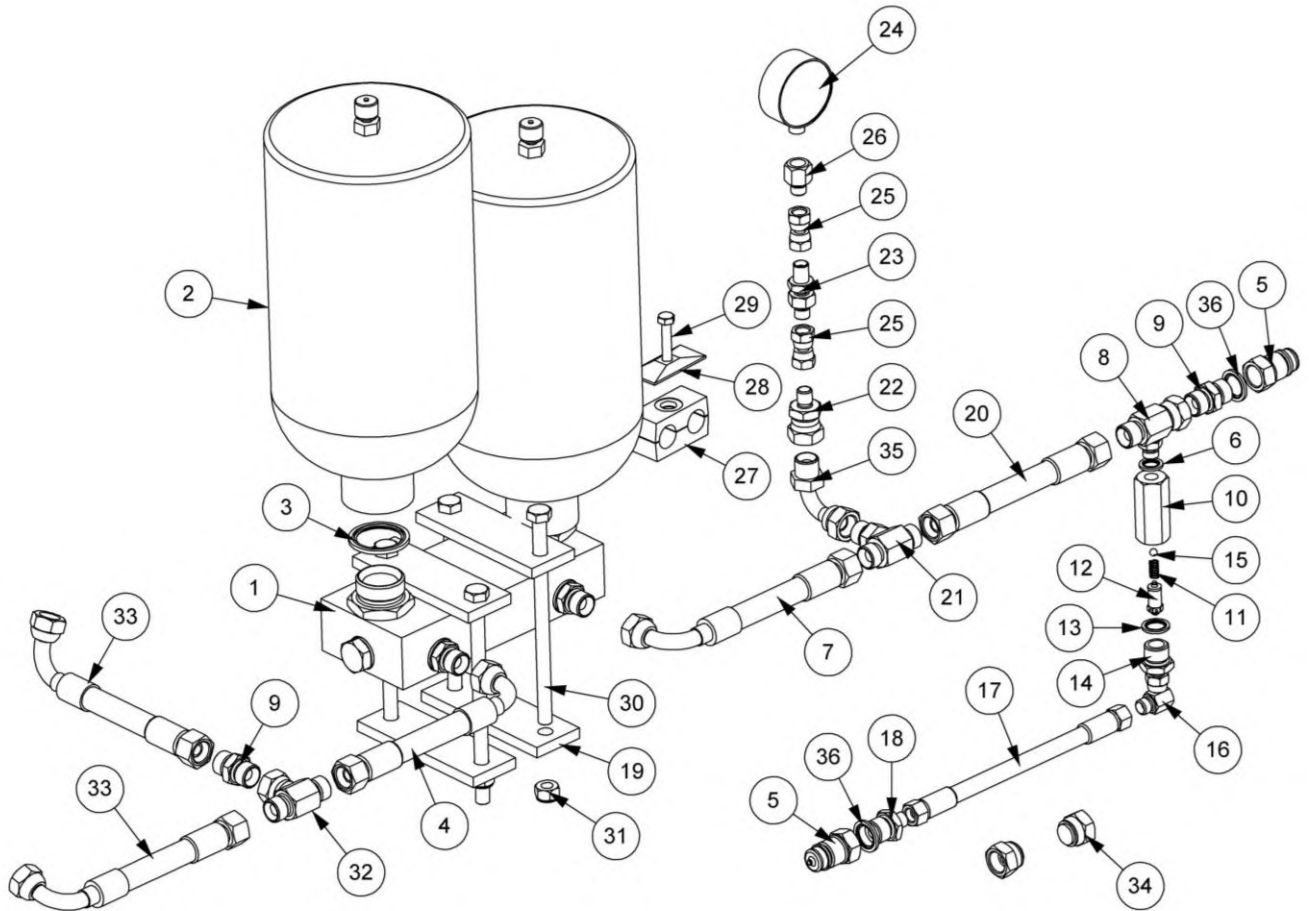
Module(s): 1068713

REF.	QTY.	PART No.	DESCRIPTION
		1068713	HYDRAULIC BREAKBACK LEGS
1	1	22665.01	BREAKBACK PLATES
2	1	22665.02	HYDRAULIC CLAMP HEAD BRACKET
3	1	22665.03	BOTTOM CLAMP
4	1	1065844	30" LEG c/w SLIPPER POINT AND CLAMP
5	2	22520.55	CLAMP SPACER
6	4	9200053	BOLT
7	2	9213269	BOLT
8	4	9163008	NYLOC NUT
9	2	42654.08	BUSH
10	4	22520.66	SPACER WASHER
11	1	22520.67	RAM PIN
12	4	0401116	EXTERNAL CIRCLIP
13	1	22665.45	RAM PIN
14	2	0901121	GREASE NIPPLE
15	1	22665.39	CLAMP PLATE SPACER (DOUBLE)
16	1	22602.03	DISPLACEMENT CYLINDER
17	2	9163009	NYLOC NUT
18	1	9100023	SELF-LOCKING NUT
19	1	22665.46	SPECIAL BOLT

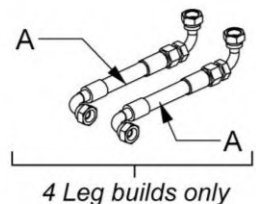
HYDRAULIC INSTALLATION – 2 & 4 LEG BUILDS

McCONNEL

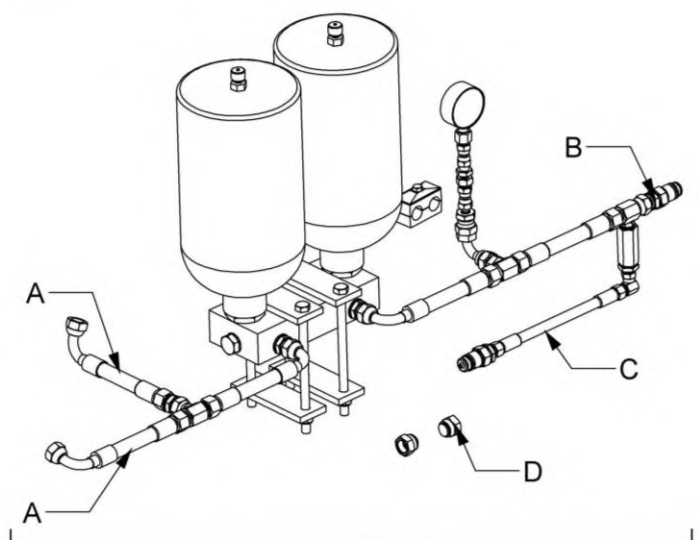
Module(s): 1068754 (2 LEG), 1068751 (2 LEG), 1068750 (4 LEG)



Additional hoses and adaptors for 4 Leg builds only



4 Leg builds only



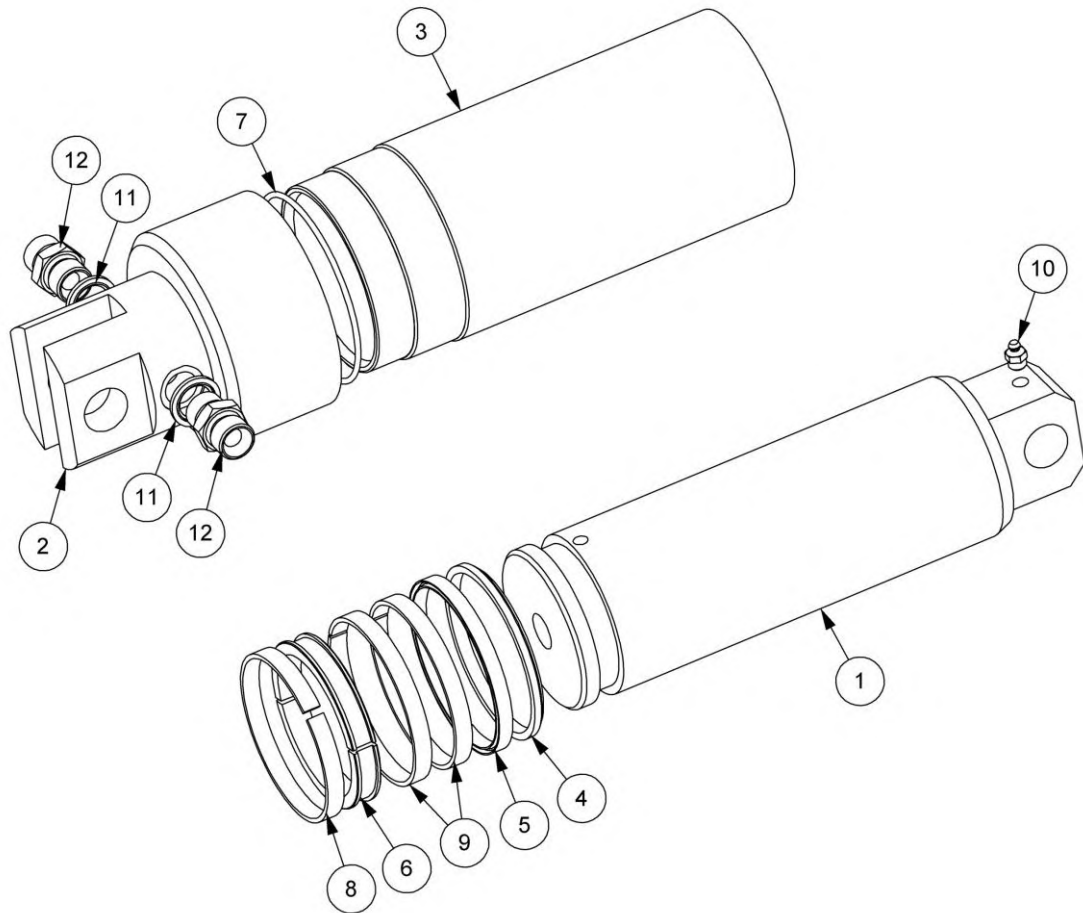
2 Leg & 4 Leg builds

- KEY:**
 A = CONNECT TO LEG RAM
 B = CONNECT TO TRACTOR SPOOL
 C = CONNECT TO TRACTOR SPOOL (TANK)
 D = CONNECT TO SPARE RAM PORT

Module(s): 1068754 (2 LEG), 1068751 (2 LEG), 1068750 (4 LEG)

REF.	QTY.		PART No.	DESCRIPTION
			• 1068754	HYDRAULIC INST'N - 2.0M 2 LEG GRASSLAND
			• 1068751	HYDRAULIC INST'N - 2.5M 2 LEG GRASSLAND
			• 1068750	HYDRAULIC INST'N - 2.5M 4 LEG GRASSLAND
1	1	1	22632.02	GRASSLAND MANIFOLD ASSEMBLY
2	2	2	22541.08	HYDRACUSHION ACCUMULATOR 4L
3	2	2	8650109	BONDED SEAL
4	1	1	10.006.05	HOSE - 1/2" BSP FS/F90 x 250mm
5	2	2	8590074	QUICK RELEASE COUPLING
6	1	1	8650102	BONDED SEAL
7	1	1	10.006.19	HOSE - 1/2" BSP FS/F90 x 950mm
8	1	1	04.056.25	ADAPTOR TEE
9	2	2	8581110	ADAPTOR
10	1	1	8130178	RELIEF VALVE HOUSING
11	1	1	8116011	SPRING
12	1	1	8130108	RELIEF VALVE (125BAR)
13	1	1	8650103	BONDED SEAL
14	1	1	8130083	ADAPTOR RELIEF BODY
15	1	1	0905108	STEEL BALL
16	1	1	8581190	ADAPTOR ELBOW (90°)
17	1	1	10.001.10	HOSE - 1/4"BSP FS/FS x 500mm
18	1	1	8581172	ADAPTOR
19	4	4	42073.01	CLAMP PLATE
20	1	1	10.005.25	HOSE - 1/2"BSP FS/FS x 1500mm
21	1	1	EYT0051	ADAPTOR
22	1	1	EYS0035	ADAPTOR
23	1	1	7105153	BULKHEAD ADAPTOR
24	1	1	8004296	PRESURE GAUGE (0-280 BAR)
25	2	2	T6943	SWIVEL ADAPTOR
26	1	1	8581560	GAUGE ADAPTOR
27	1	1	22616.01	HOSE CLAMP (TWIN)
28	1	1	22616.02	HOSE COVER PLATE
29	1	1	9213094	BOLT
30	4	4	05.292.30	BOLT
31	4	4	9163006	NYLOC NUT
32	1	1	04.056.13	ADAPTOR TEE
33	2	-	10.006.16	HOSE - 1/2" BSP FS/F90 x 800mm
		2	10.006.20	HOSE - 1/2" BSP FS/F90 x 1000mm
	-	-	10.006.13	HOSE - 1/2" BSP FS/F90 x 650mm
34	2	2	8582054	BLANKING CAP
35	1	3	8581215	SWEPT ADAPTOR (90°)
36	2	2	8650104	BONDED SEAL
37	-	-	10.006.10	HOSE - 1/2" BSP FS/F90 x 500mm

Component part of Hydraulic Breakback Leg Assembly 1068713



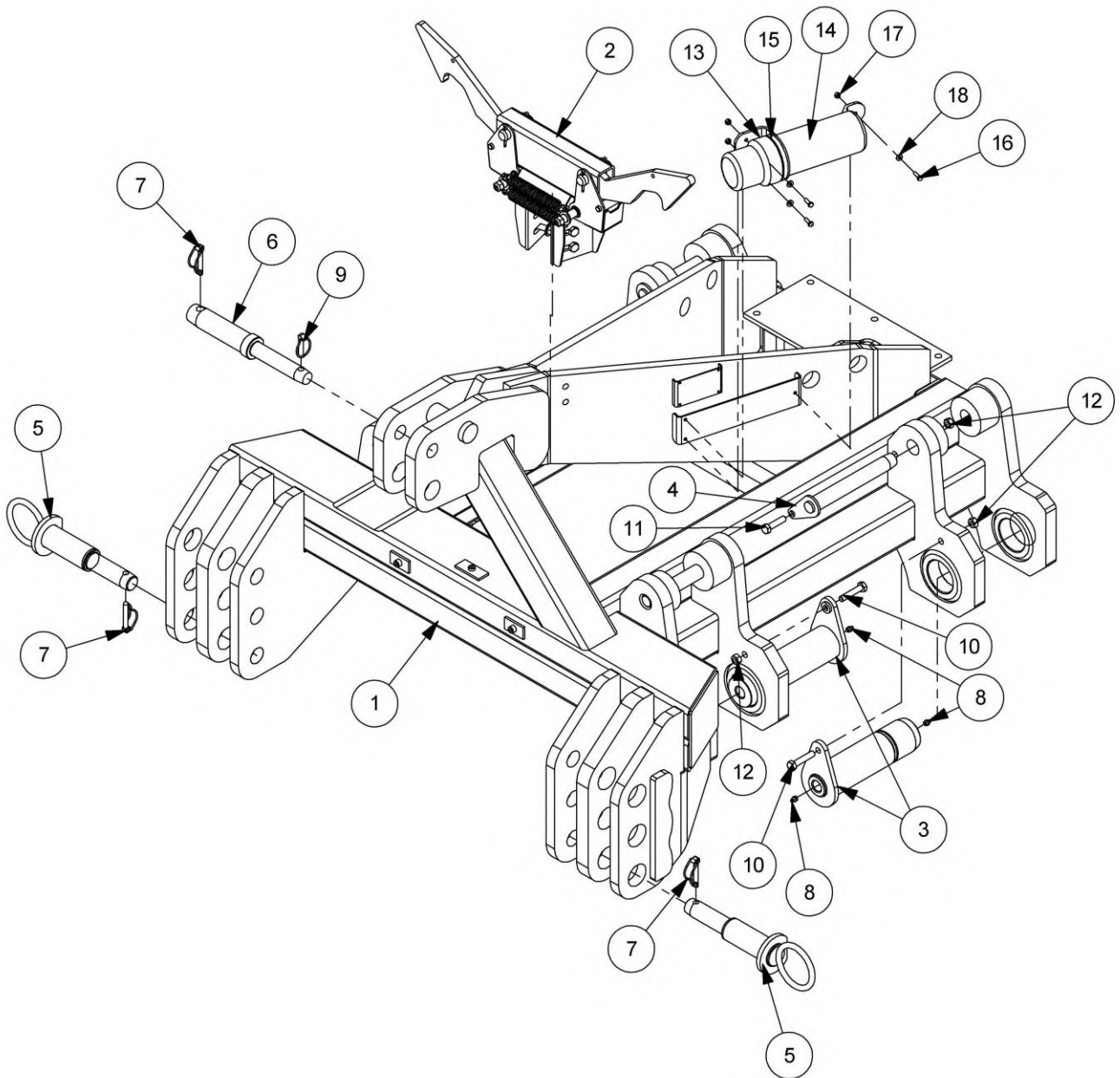
REF.	QTY.	PART No.	DESCRIPTION
		22602.03	DISPLACEMENT CYLINDER
1	1	22603.37	CHROME ROD
2	1	22603.39	BLANK END
3	1	22603.38	OUTER TUBE
4	1	8629258	WIPER SEAL
5	1	8629257	ROD SEAL
6	1	8629259	PISTON HOUSING
7	1	8700746	O RING
8	1	8629256	BEARING RING
9	2	8629255	BEARING RING
10	1	0901121	GREASE NIPPLE
11	2	8650104	BONDED SEAL
12	2	8581110	ADAPTOR
		8699275	SEAL KIT

Folding Models

MAIN FRAME ASSEMBLY (Mk1 Models)

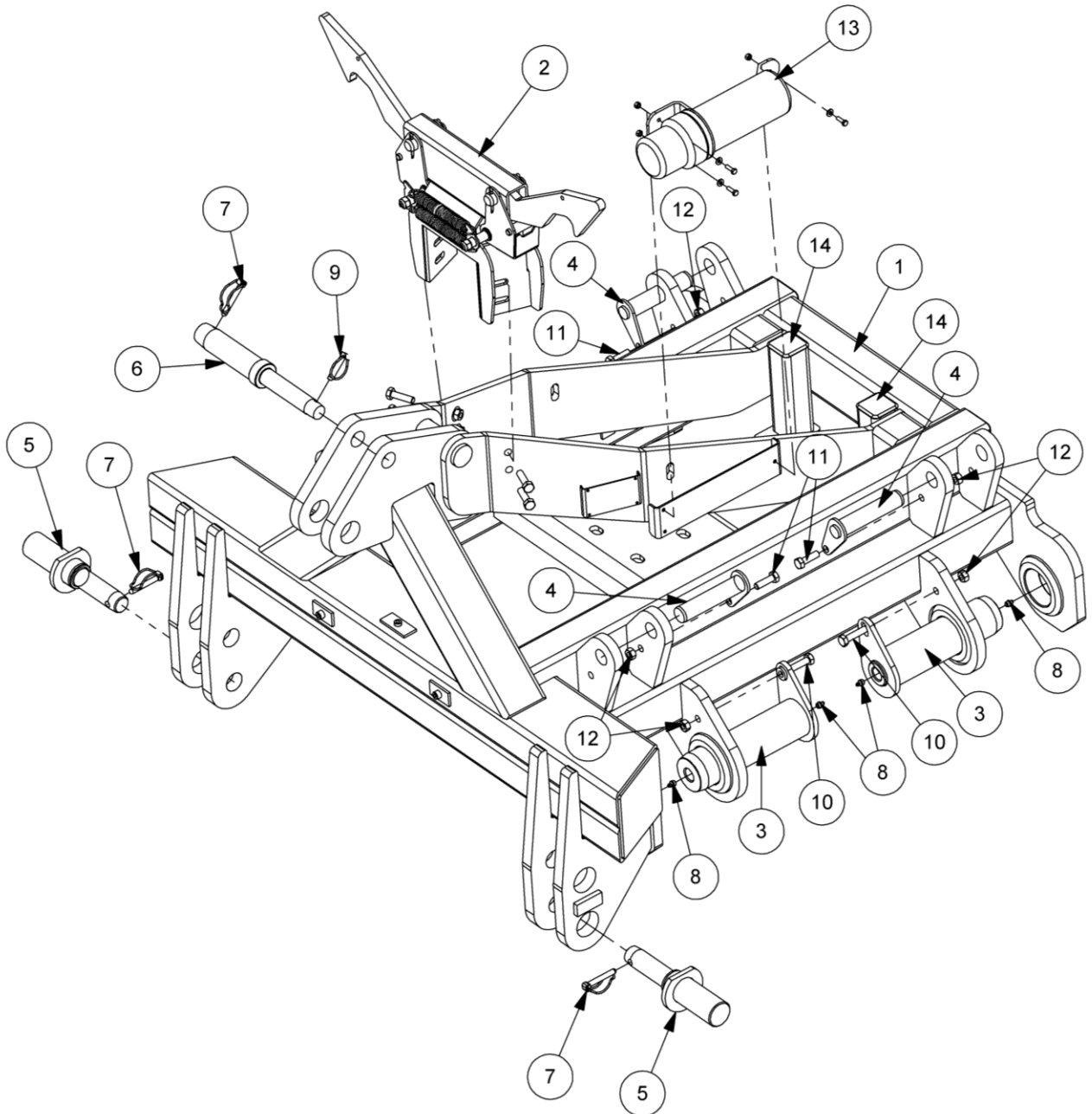
McCONNEL

Module(s): 1067501



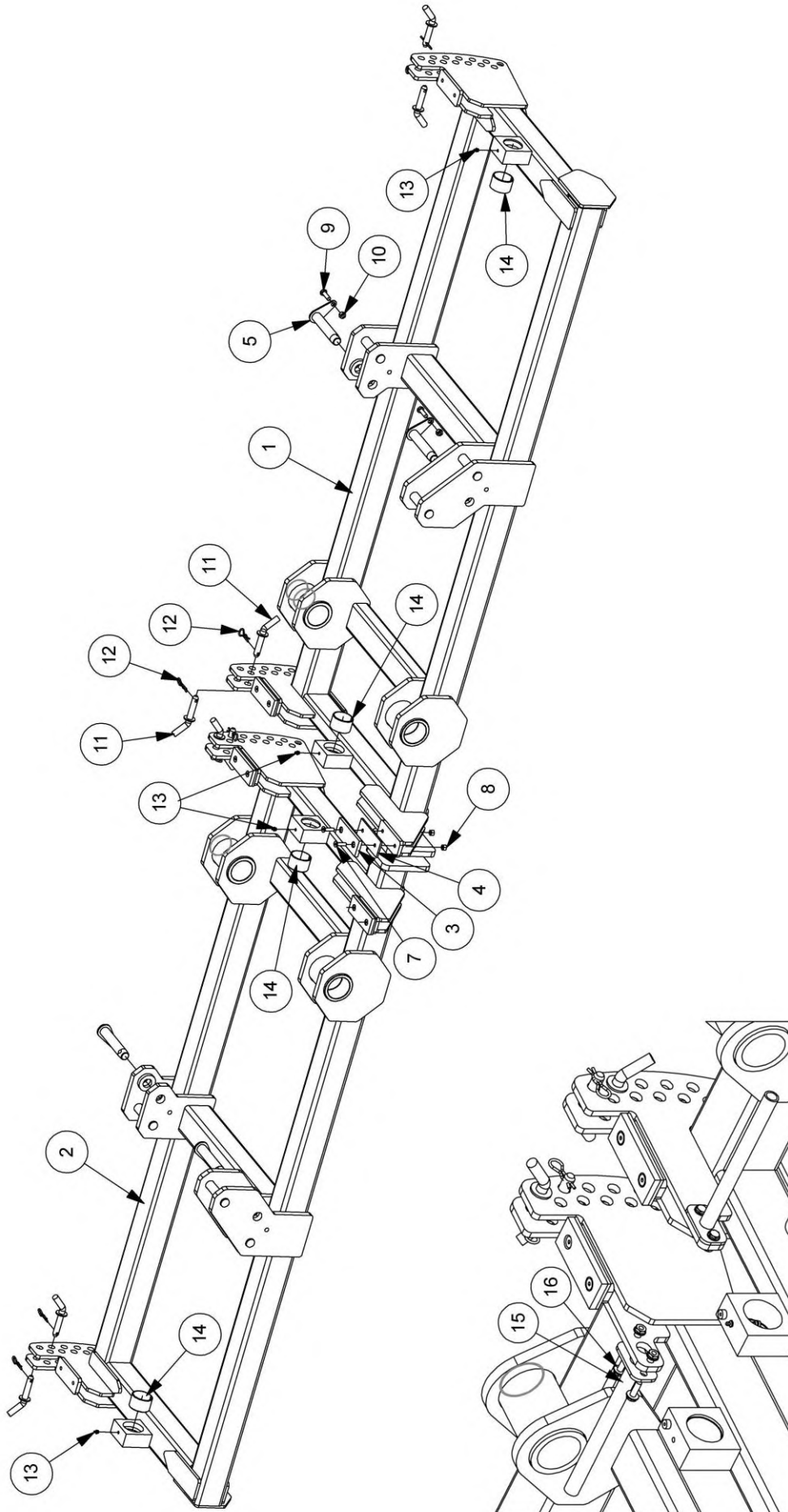
Module(s): 1067501

REF.	QTY.	PART No.	DESCRIPTION
		1067501	MAIN FRAME ASSEMBLY - Mk1 Models
1	1	21112.11	CENTRE FRAME
2	1	21112.29	LATCH ASSEMBLY
3	4	21126.06	MAIN PIN
4	4	21128.02	RAM BASE PIN
5	2	21126.02	LOWER HITCH PIN
6	1	21126.51	TOP LINK PIN - CAT 3 / CAT 4
7	3	0431216	LYNCH PIN
8	8	0901121	GREASE NIPPLE
9	1	0431217	LINCH PIN
10	4	9213126	BOLT
11	4	9213106	BOLT
12	8	9143006	SELF-LOCKING NUT
13	1	46505.02	MANUAL HOLDER ASSEMBLY - c/o:
14	1	46505.01	LITERATURE HOLDER
15	1	46503.01	SPACER
16	3	9313043	SETSCREW
17	3	9143003	SELF-LOCKING NUT
18	3	9100103	FLAT WASHER



Module(s): 1067502

REF.	QTY.	PART No.	DESCRIPTION
		1067502	MAIN FRAME ASSEMBLY - Mk2 Models
1	1	21424.01	MAIN FRAME - Mk2
2	1	21112.28	LATCH ASSEMBLY
3	4	21126.06	MAIN PIN
4	4	21128.03	RAM PIN
5	2	21126.08	LOWER LINK PIN
6	1	21126.51	TOP LINK PIN - CAT 3 / CAT 4
7	3	0431216	LYNCH PIN - LARGE
8	8	0901121	GREASE NIPPLE
9	1	0431217	LINCH PIN
10	4	9213106	BOLT
11	4	9213086	BOLT
12	8	9143006	SELF-LOCKING NUT
13	1	46505.02	MANUAL HOLDER ASSEMBLY - c/o:
	1	46505.01	LITERATURE HOLDER
	1	46503.01	SPACER
	3	9313043	SETSCREW
	3	9143003	SELF-LOCKING NUT
	3	9100103	FLAT WASHER
14	2	7191108	PLASTIC PLUG



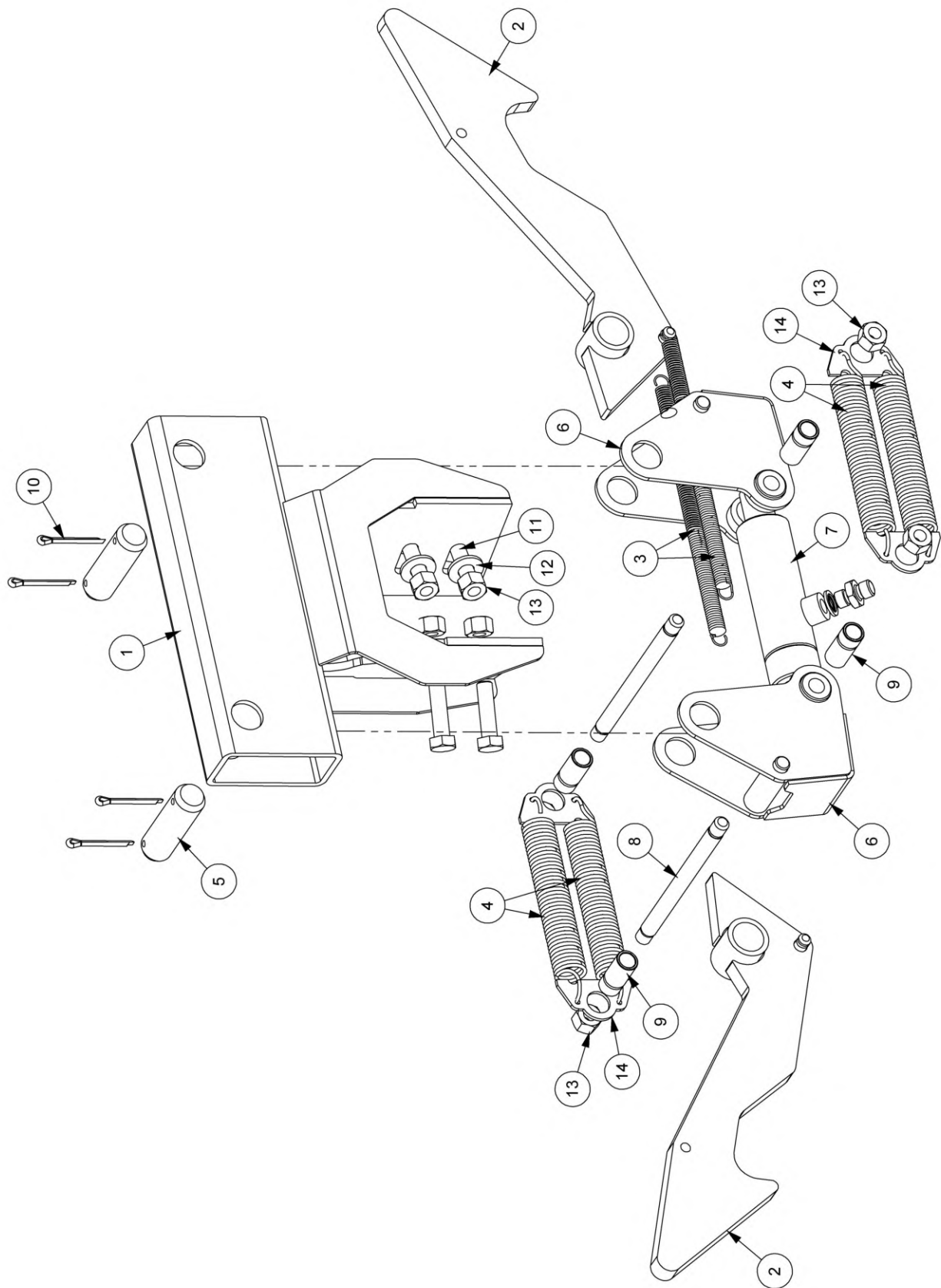
Module(s): 1067506, 1067507, 1067508, 1067509

REF.	QTY.	PART No.	DESCRIPTION
		1067506	WING ASSEMBLY - 5M (120mm RHS)
		1067507	WING ASSEMBLY - 4M (120mm RHS)
		1067508	WING ASSEMBLY - 5M (100mm RHS)
		1067509	WING ASSEMBLY - 4M (100mm RHS)
1	1	21119.11	L/H WING FRAME - 5M (120mm RHS)
	1	21119.13	L/H WING FRAME - 4M (120mm RHS)
	1	21119.25	L/H WING FRAME - 5M (100mm RHS)
	1	21119.15	L/H WING FRAME - 4M (100mm RHS)
2	1	21119.12	R/H WING FRAME - 5M (120mm RHS)
	1	21119.14	R/H WING FRAME - 4M (120mm RHS)
	1	21119.26	R/H WING FRAME - 5M (100mm RHS)
	1	21119.16	R/H WING FRAME - 4M (100mm RHS)
3	4	21125.01	NYLON PAD
4	4	21125.02	PACKER
5	4	21128.01	ROD PIN
6	4	42654.06	BUSH
7	8	9353085	CAPSCREW
8	8	9143005	SELF-LOCKING NUT
9	4	9313086	SETSCREW
10	4	9143006	SELF-LOCKING NUT
11	8	21126.04	ROLLER HEIGHT PIN
12	8	0431105	SPRING COTTER
13	4	0901121	GREASE NIPPLE - Straight
14	4	1065181	PIVOT SHAFT BUSH
15	2	21339.30	CONDUIT TUBE
16	4	9413065	FLANGED SETSCREW & NUT SET

HYDRAULIC LATCH ASSEMBLY

Module(s): 21112.29

McCONEL



HYDRAULIC LATCH ASSEMBLY

McCONNEL

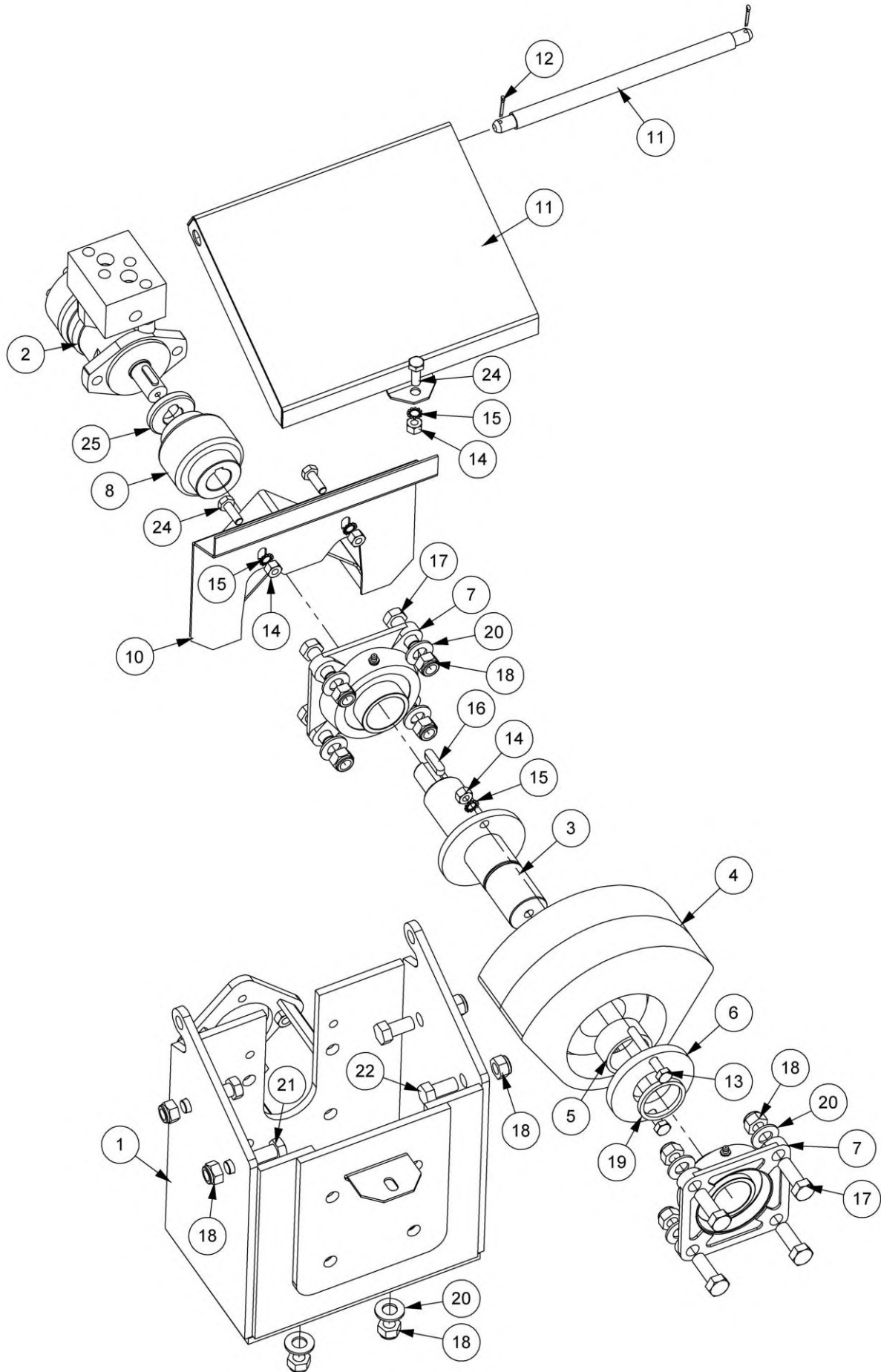
Module(s): 21112.29

REF.	QTY.	PART No.	DESCRIPTION
		21112.29	HYDRAULIC LATCH ASSEMBLY
1	1	21112.13	LATCH BODY
2	2	21112.12	LATCH
3	2	0820576	TENSION SPRING
4	4	0820613	TENSION SPRING
5	2	21112.73	PIVOT PIN
6	2	21112.14	LATCH LEVER
7	1	21323.01	LATCH CYLINDER c/w:
	1	8581169	ADAPTOR
	1	8650102	BONDED SEAL
8	2	21112.89	ROD
9	4	21112.90	SPRING BOSS
10	4	9501406	SPLIT PIN
11	4	9213096	BOLT
12	4	9100106	FLAT WASHER
13	8	9143006	SELF-LOCKING NUT
14	4	21112.92	SPRING ANCHOR

HYDRAULIC SHAKERBOX ASSEMBLY

McCONNEL

Module(s): 42896.29



Module(s): 42896.29

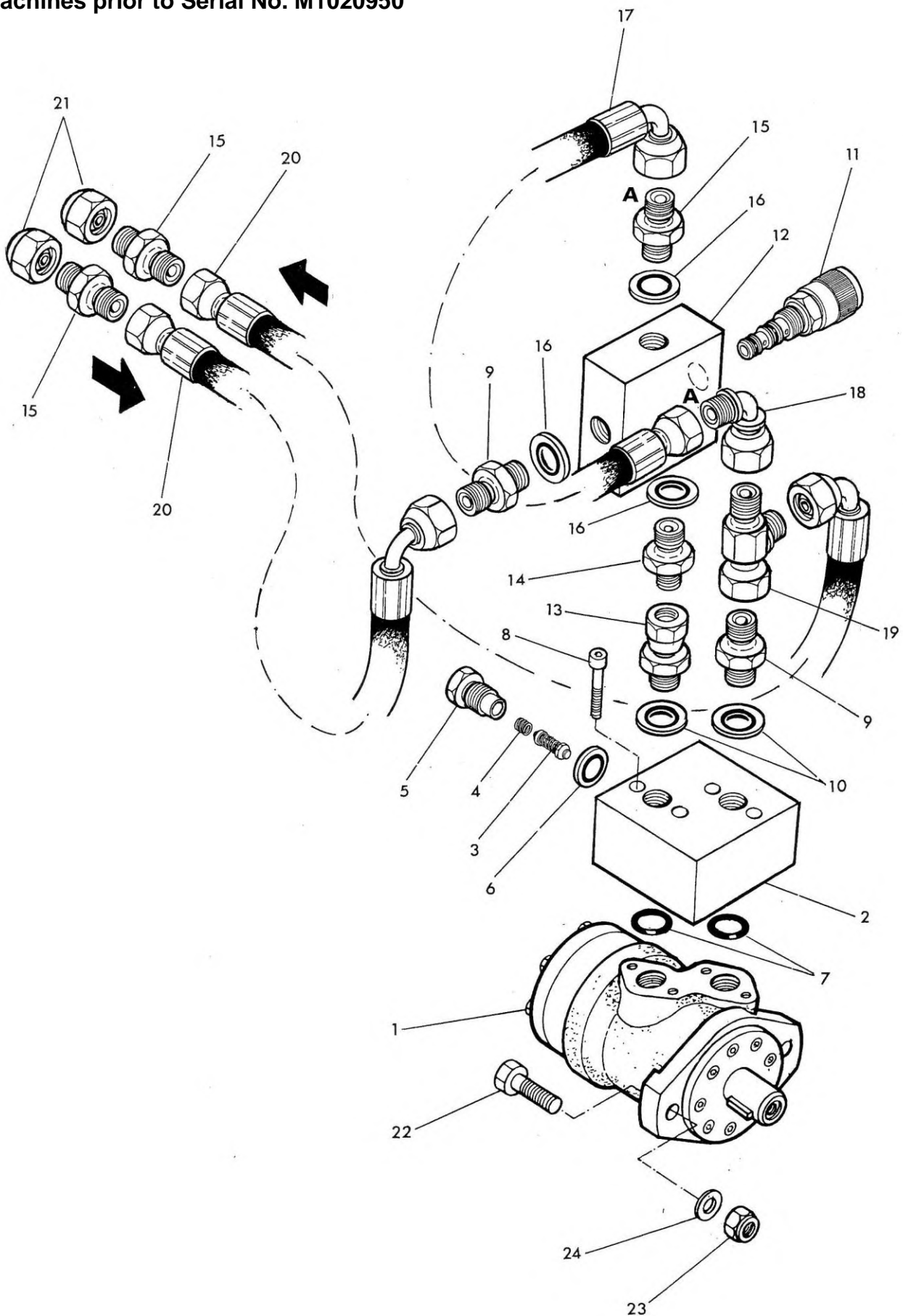
REF.	QTY.	PART No.	DESCRIPTION
		42896.29	SHAKERBOX ASSEMBLY
1	1	42896.01	SHAKERBOX
2	1	42903.01	MOTOR ASSEMBLY
3	1	42897.01	SHAKER SHAFT
4	1	1066284	FLYWHEEL
5	1	6000160	BUSH
6	1	1066163	CLAMP DISC
7	2	0600054	FLANGED BEARING UNIT
8	1	1066172	COUPLING
9	1	42810.05	HINGE ROD
10	1	42900.01	COUPLING GUARD
11	1	42899.01	SHAKERBOX LID
12	2	9501255	SPLIT PIN
13	2	9213165	BOLT
14	5	9143005	SELF-LOCKING NUT
15	5	9100405	SHAKEPROOF WASHER
16	1	05.960.03	KEY
17	8	0211146	BOLT
18	16	0141006	CLEVELOC NUT
19	1	1066154	SPACER SLEEVE
20	12	0100106	FLAT WASHER
21	2	0211206	BOLT
22	2	0311106	SCREW
23	2	9143006	SELF-LOCKING NUT
24	3	9213065	BOLT
25	1	1066181	SHAFT SPACER (NYLON)

VIBRATOR UNIT HYDRAULIC INSTALLATION

Module(s): 42903.01 (Motor Assembly), 42941.01 (Flow Control Kit)

McCONEL

Machines prior to Serial No. M1020950



VIBRATOR UNIT HYDRAULIC INSTALLATION

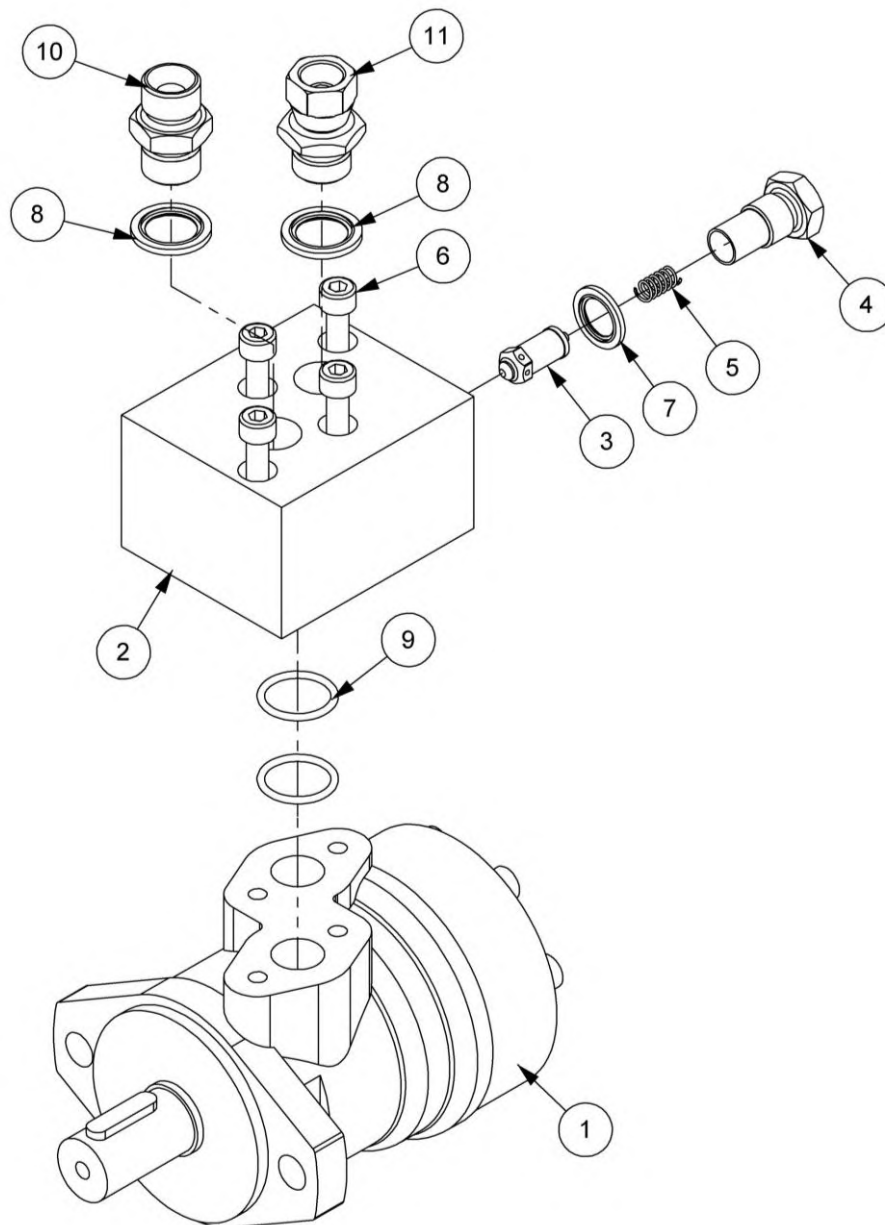
McCONNEL

Module(s): 42903.01 (Motor Assembly), 42941.01 (Flow Control Kit)

REF.	QTY.	PART No.	DESCRIPTION
			HYDRAULIC MOTOR AND FLOW CONTROL INSTALLATION
		42903.01	HYDRAULIC MOTOR ASSEMBLY - including:
1	1	1989057	MOTOR
2	1	41360.01	MOTOR VALVE BLOCK
3	1	8130124	RELIEF VALVE - 140BAR
4	1	8116011	SPRING
5	1	8130032	VALVE CAP
6	1	8650103	BONDED SEAL
7	2	8600403	O RING
8	4	9343104	CAPSCREW
9	2	8581110	ADAPTOR
10	2	8650104	BONDED SEAL
	1	42941.01	FLOW CONTROL KIT
11	1	8104045	FLOW CONTROL VALVE
12	1	8104046	VALVE BODY
13	1	8581285	STRAIGHT SWIVEL ADAPTOR
14	1	6000112	ADAPTOR
15	3	8581110	ADAPTOR
16	3	8650104	BONDED SEAL
17*	1	8533144	HOSE - 1/2" BSP x 22" long (<i>open centre only</i>)
18	1	G520 0331	SWEPT ELBOW
19	1	19520728	TEE
20	2	8533094	HOSE - 1/2" BSP x 63" long
21	2	8582054	BLANKING CAPS
22	2	9313086	SETSCREW
23	2	9143006	SELF-LOCKING NUT
24	2	9100406	EXTERNAL SERRATED WASHER
		86 99 233	MOTOR SEAL KIT

* Note:

When Compact Shakaerator is used on tractors with closed centre hydraulic systems e.g. John Deere, the hose (item 17) is discarded and the two delivery blanking caps (item 21) are used to plug the two resulting open connections at positions A.



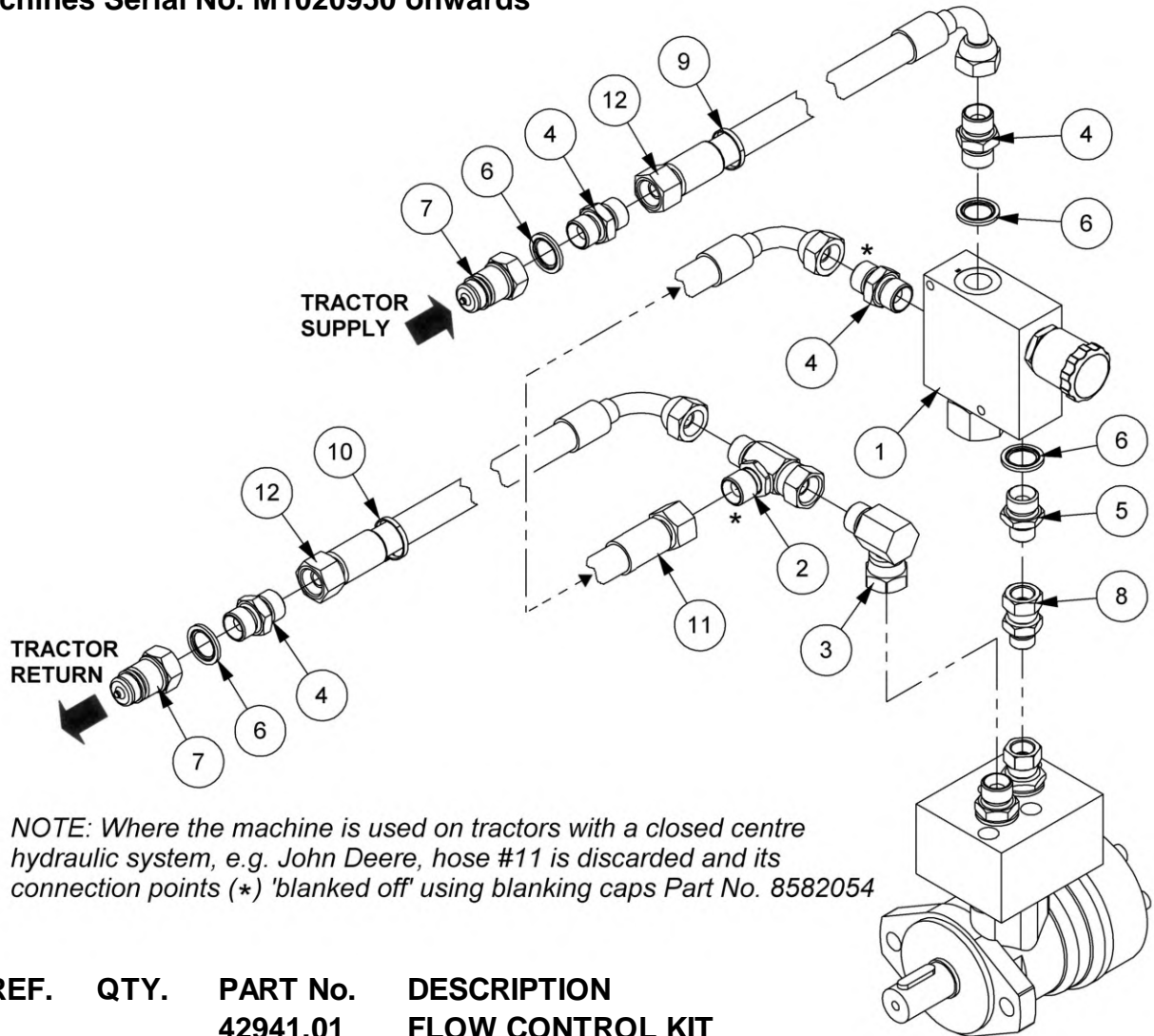
REF.	QTY.	PART No.	DESCRIPTION
		42903.01	MOTOR ASSEMBLY
1	1	1989057	HYDRAULIC MOTOR
2	1	41360.01	MOTOR VALVE PLATE
3	1	8130124	RELIEF VALVE (140BAR)
4	1	8130032	RELIEF VALVE CAP
5	1	8116011	SPRING
6	4	9343104	CAPSCREW
7	1	8650103	BONDED SEAL
8	2	8650104	BONDED SEAL
9	2	8600403	O RING
10	1	8581110	ADAPTOR
11	1	8581285	ADAPTOR

FLOW CONTROL KITS

McCONNEL

Module(s): 42941.01 (Rev.E), 42941.02 (Rev.C), 42941.03 (Rev.C)

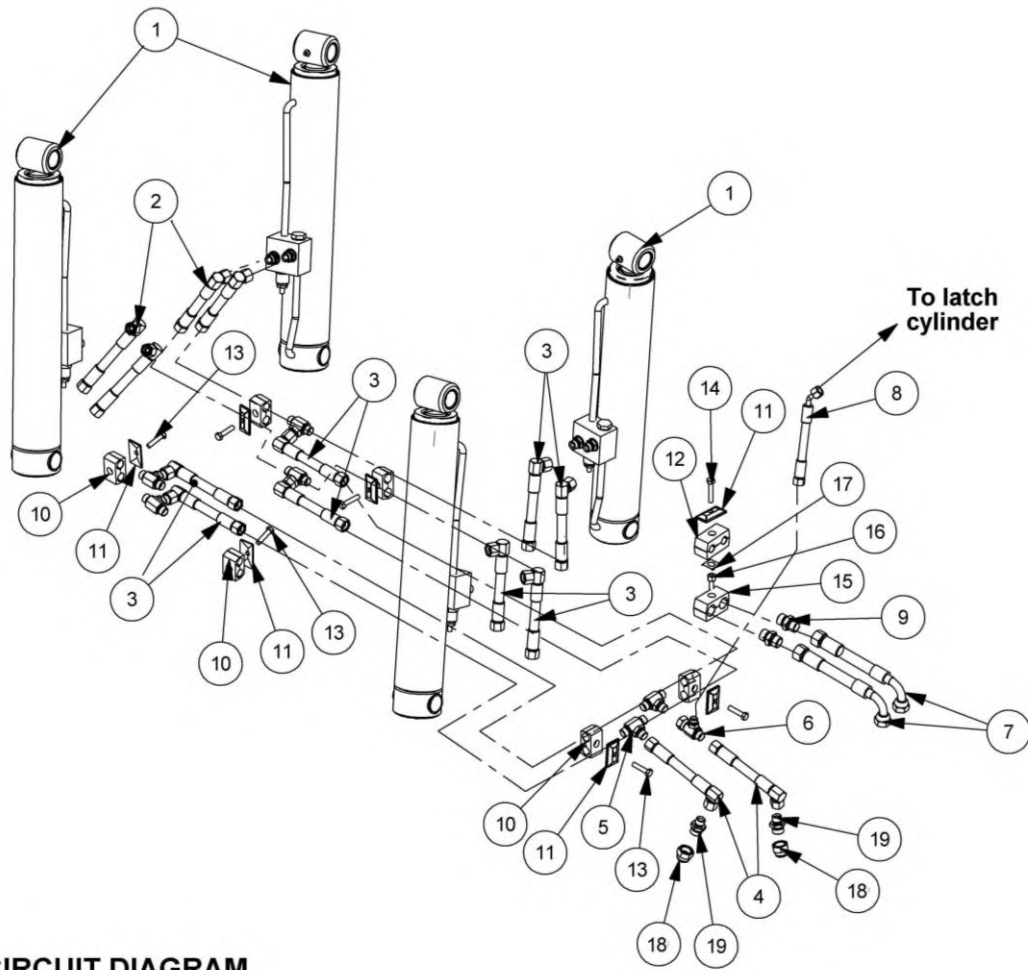
Machines Serial No. M1020950 onwards



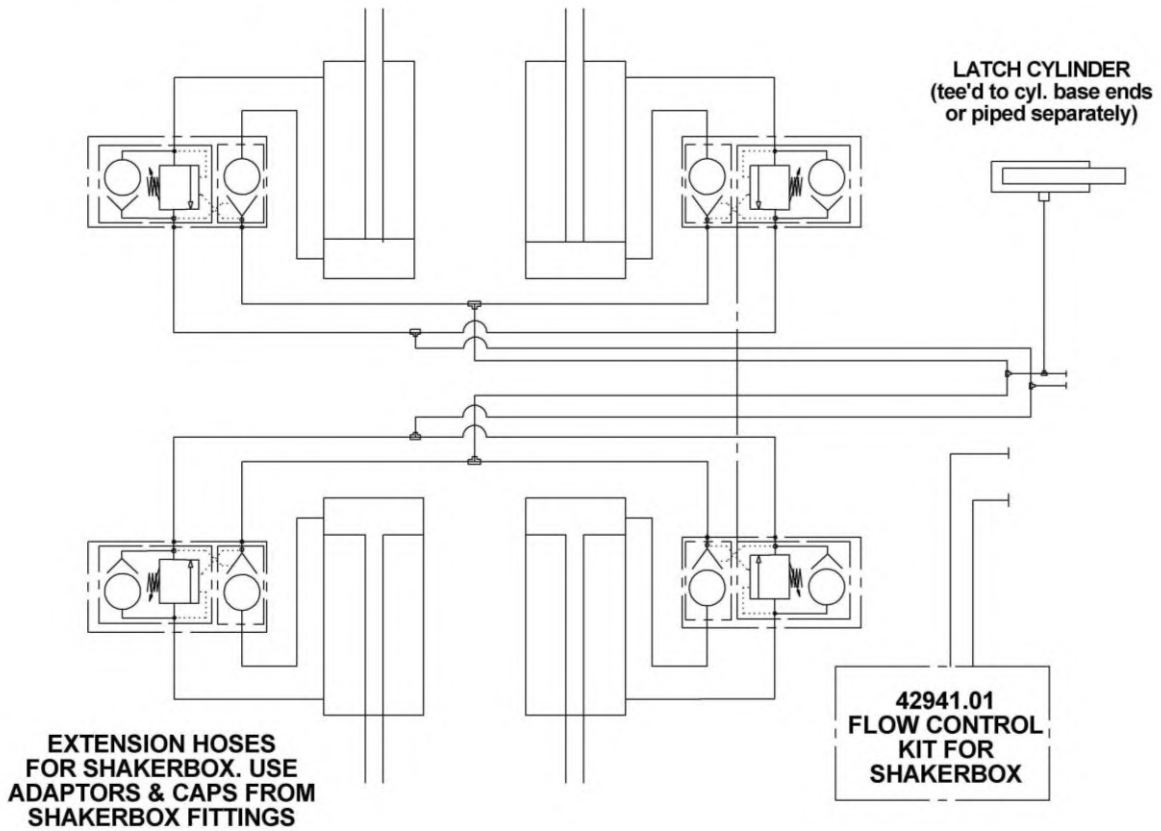
NOTE: Where the machine is used on tractors with a closed centre hydraulic system, e.g. John Deere, hose #11 is discarded and its connection points () 'blanked off' using blanking caps Part No. 8582054*

REF.	QTY.	PART No.	DESCRIPTION	
		42941.01	FLOW CONTROL KIT	
		42941.02	FLOW CONTROL KIT	
		42941.03	FLOW CONTROL KIT	
1	1	8104047	FLOW CONTROL VALVE	
2	1	520728	ADAPTOR TEE	
3	1	G5200331	ADAPTOR ELBOW	
4	4	8581110	ADAPTOR	
5	1	6000112	ADAPTOR	
6	5	8650104	BONDED SEAL	
7	2	8590074	QUICK RELEASE	
8	1	8581178	SWIVEL ADAPTOR	
9	1	22941.01	RED CABLE TIE	
10	1	22941.02	BLUE CABLE TIE	
11	1	8533144	HOSE - 1/2" BSP FS/F90 x 22"	<i>Kits 42941.01 & .02</i>
	1	10.006.11	HOSE - 1/2" BSP FS/F90 x 550mm	<i>Kit 42941.03 only</i>
12	2	8533094	HOSE - 1/2" BSP FS/F90 x 63"	<i>Kit 42941.01 only</i>
	2	10.006.38	HOSE - 1/2" BSP FS/F90 x 2800mm	<i>Kit 42941.02 only</i>
	2	10.006.40	HOSE - 1/2" BSP FS/F90 x 3000mm	<i>Kit 42941.03 only</i>

NOTE: Flow Control Kits contain identical components they differ only in the lengths of their hoses.

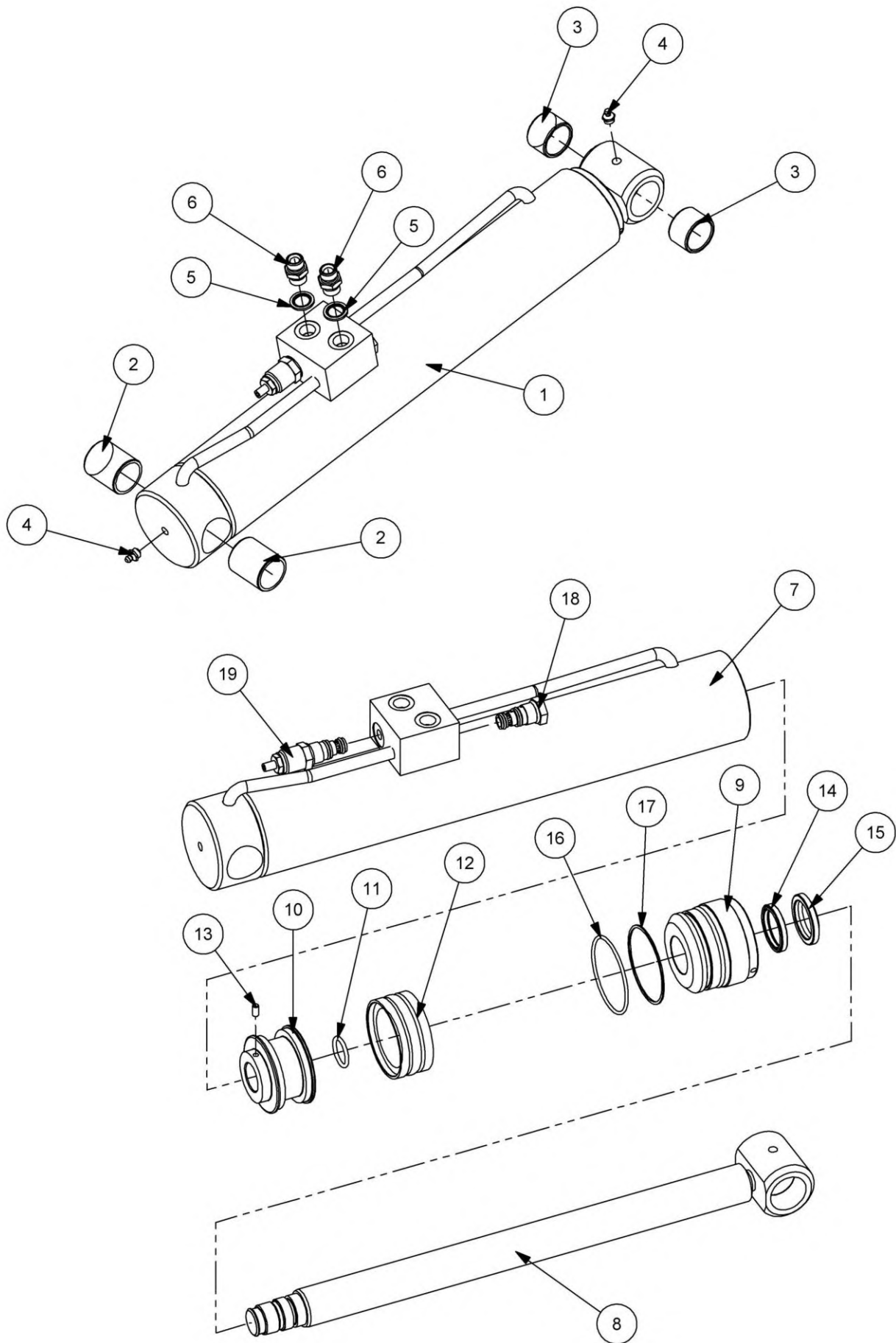


CIRCUIT DIAGRAM



Module(s): 1067521

REF.	QTY.	PART No.	DESCRIPTION
		1067521	HYDRAULIC INSTALLATION
1	4	21236.01	RAM ASSEMBLY
2	4	10.004.20	HOSE - 3/8" BSP FS/F90 x 1000mm
3	8	10.004.15	HOSE - 3/8" BSP FS/F90 x 750mm
4	2	10.004.30	HOSE - 3/8" BSP FS/F90 x 2000mm
5	6	8581267	ADAPTOR TEE
6	1	04.056.16	ADAPTOR TEE
7	2	10.006.20	HOSE - 1/2" BSP ST/90 x 1000mm
8	1	8545092	HOSE - 1/4" BSP FS/F135 x 4140mm
9	2	8581110	ADAPTOR
10	6	42024.09	TWIN CLAMP
11	7	7193066	CLAMP PLATE
12	1	42024.07	PIPE CLAMP
13	6	9313074	SETSCREW
14	1	9313094	SETSCREW
15	1	3020969	PIPE CLAMP
16	1	42024.14	STACKING BOLT GROUP
17	1	42024.13	SAFETY LOCKING PLATE
18	2	8582054	BLANKING CAP
19	2	6000112	ADAPTOR



HYDRAULIC RAM ASSEMBLY

McCONNEL

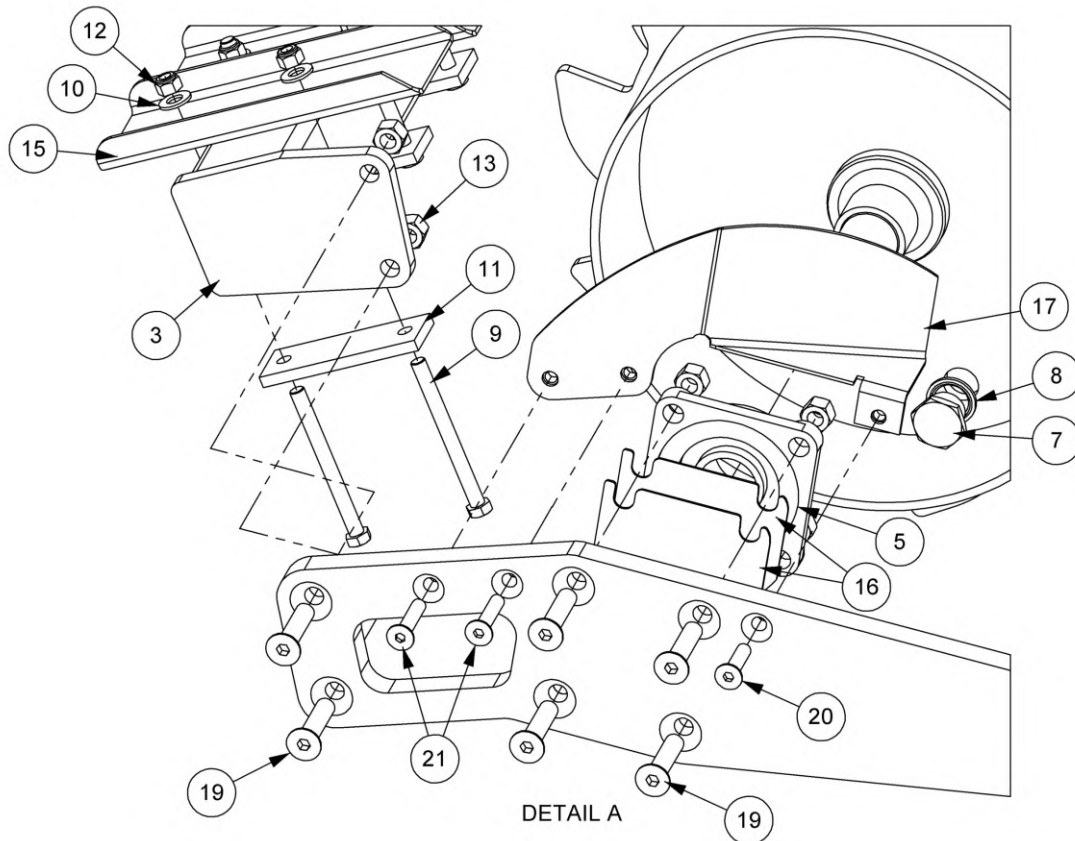
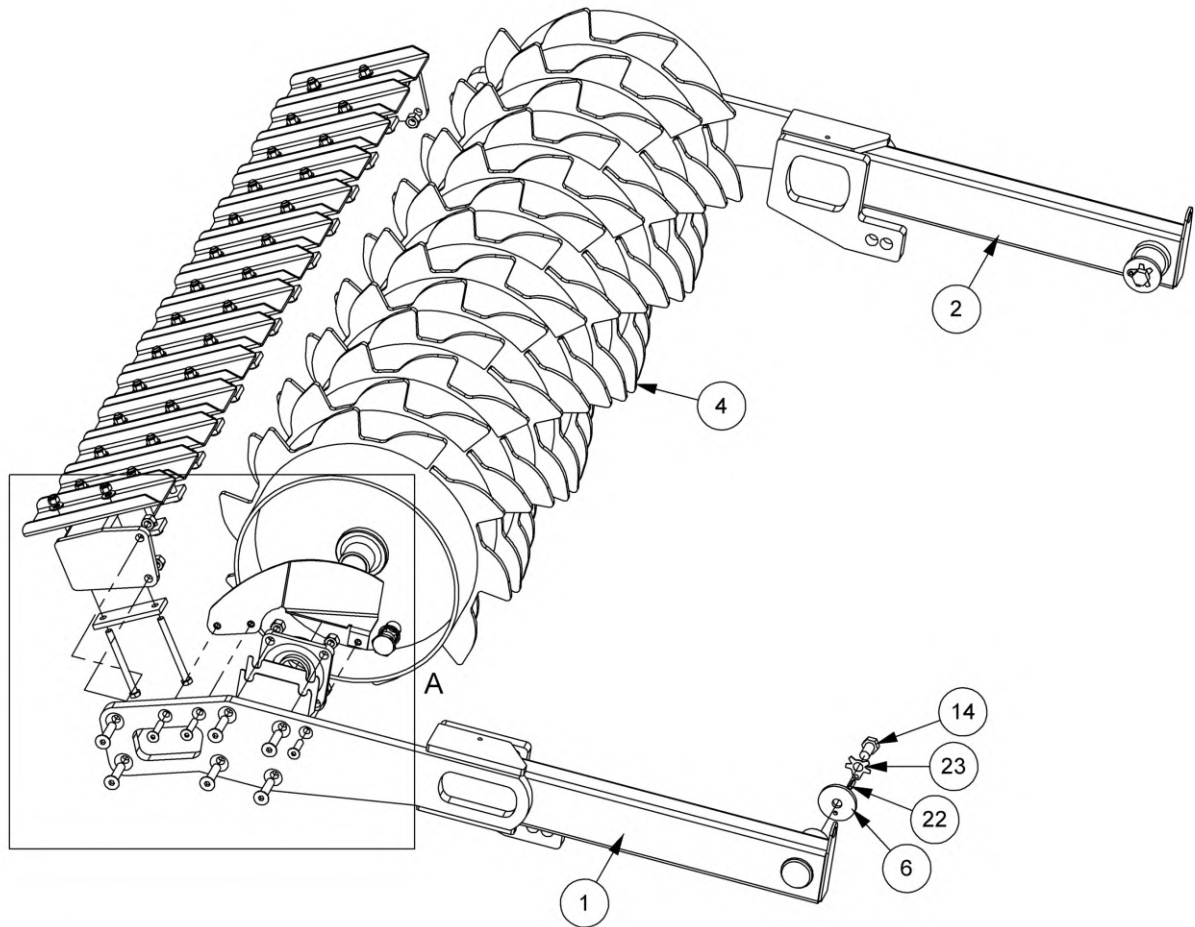
Module(s): 21236.01

REF.	QTY.	PART No.	DESCRIPTION
		21236.01	HYDRAULIC RAM ASSEMBLY
1	1	21236.02	BASIC RAM
2	2	7101134	BUSH
3	2	6012032	BUSH - PLASTIC
4	2	0901121	GREASE NIPPLE
5	2	8650103	BONDED SEAL
6	2	6000113	ADAPTOR
7	1	21236.11	RAM BARREL
8	1	7193029	ROD
9	1	7135282	GLAND HOUSING
10	1	7135004	PISTON
11	1	8600119	O RING
12	1	8638740	PISTON SEAL
13	1	9363023	GRUB SCREW
14	1	8629164	GLAND SEAL
15	1	8629147	SCRAPER RING
16	1	8700740	O RING - METRIC
17	1	8709740	BACK UP RING
18	1	21247.02	VALVE CARTRIDGE
19	1	21247.03	OVERCENTRE VALVE

2.0M ROLLER ASSEMBLY

Module(s): 1067597

McCONEL



2.0M ROLLER ASSEMBLY

McCONNEL

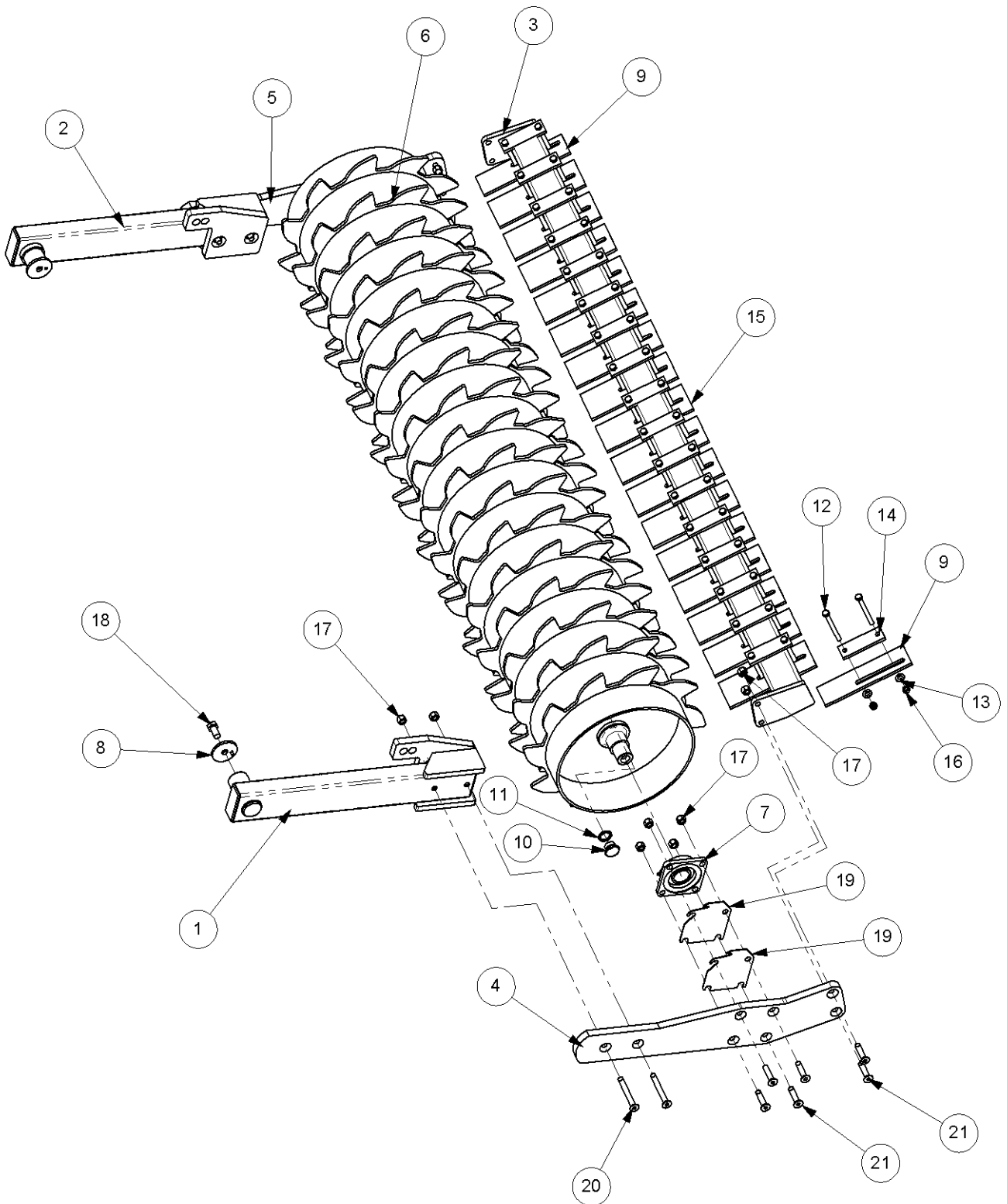
Module(s): 1067597

REF.	QTY.	PART No.	DESCRIPTION
		1067597	2.0M ROLLER ASSEMBLY
1	1	21122.01	ROLLER ARM - L/H
2	1	21122.02	ROLLER ARM - R/H
3	1	21123.02	SCRAPER BAR
4	1	42067.07	2M ROLLER ASSEMBLY
5	2	600062	BEARING
6	2	10652141	SPECIAL WASHER
7	2	8581159	BLANKING PLUG
8	2	8650108	BONDED SEAL
9	28	211445	BOLT
10	28	100105	FLAT WASHER
11	14	42073.01	CLAMP PLATE
12	28	141005	CLEVELOC NUT
13	12	9143007	SELF-LOCKING NUT
14	2	311127	SCREW
15	14	42072.06	SCRAPER
16	4	21124.03	BEARING PACKER
17	1	21335.03	SCRAPER - L/H
18	1	21335.04	SCRAPER - R/H
19	12	9353147	SETSCREW
20	2	9353106	CAPSCREW
21	4	9353126	CAPSCREW
22	2	422516	SPRING DOWEL
23	2	21472.01	SPECIAL TAB WASHER

2.5M ROLLER ASSEMBLY

Module(s): 1067596

McCONEL



2.5M ROLLER ASSEMBLY**McCONNEL**

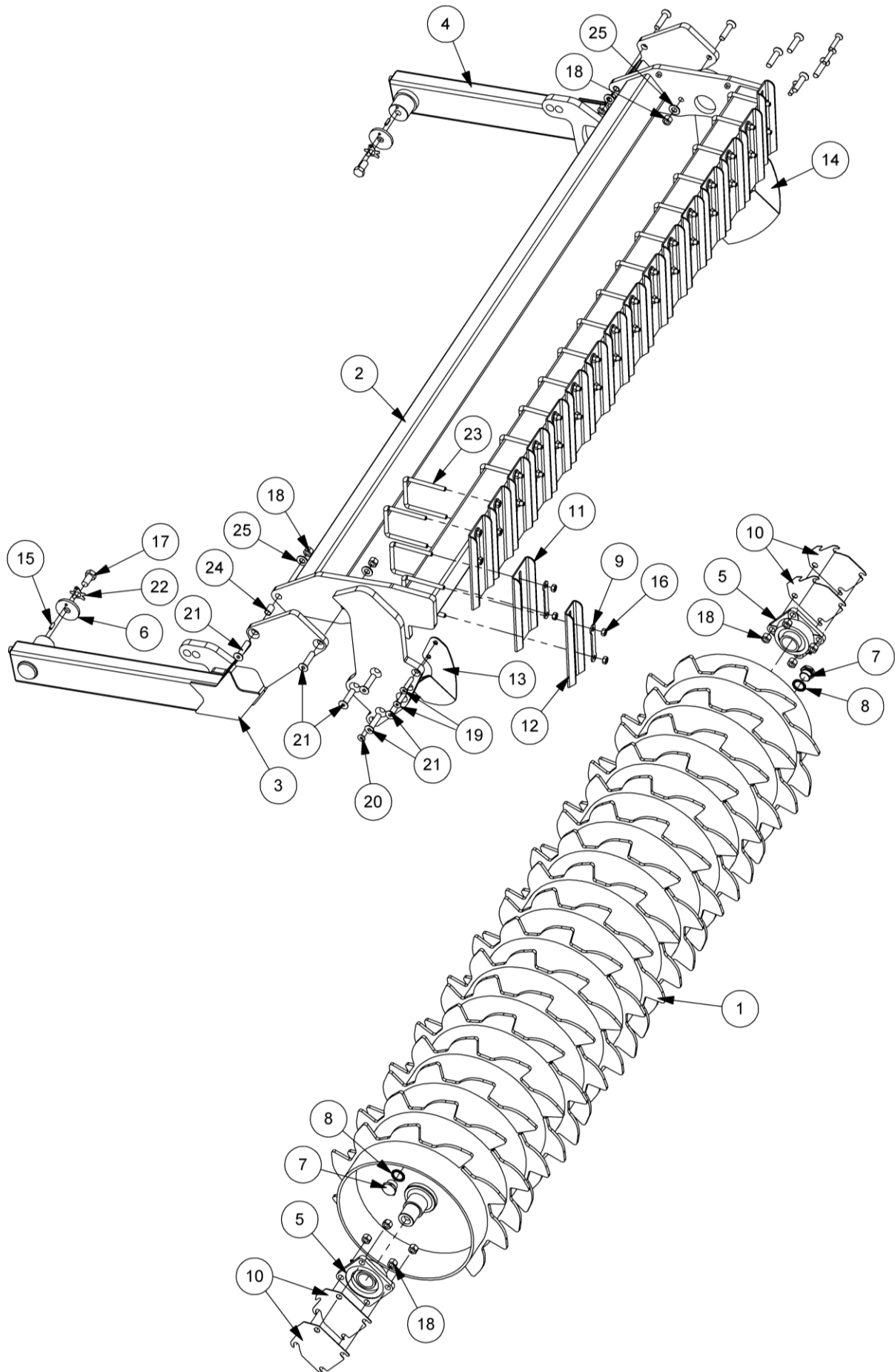
Module(s): 1067596

REF.	QTY.	PART No.	DESCRIPTION
		1067596	2.5M ROLLER ASSEMBLY
1	1	21122.01	ROLLER ARM - L/H
2	1	21122.02	ROLLER ARM - R/H
3	1	21123.01	SCRAPER BAR
4	1	21124.04	ROLLER ATTACHMENT PLATE - L/H
5	1	21124.05	ROLLER ATTACHMENT PLATE - R/H
6	1	42067.06	PACKER ROLLER - 2.5m
7	2	0600062	BEARING
8	2	1065214	SPECIAL WASHER c/w DOWEL
9	2	42072.02	END SCRAPER
10	2	8581159	BLANKING PLUG
11	2	8650108	BONDED SEAL
12	36	0211445	BOLT
13	36	0100105	FLAT WASHER
14	18	42073.01	CLAMP PLATE
15	16	42072.01	SCRAPER
16	36	0141005	CLEVELOC NUT
17	17	9143007	SELF-LOCKING NUT
18	2	0311127	SCREW
19	4	21124.03	BEARING PACKER
20	4	9353257	CAPSCREW
21	12	9353147	SETSCREW

2.5M CLOSE COUPLING ROLLER ASSEMBLY

Module(s): 1067523

McCONEL



2.5M CLOSE COUPLING ROLLER ASSEMBLY

McCONNEL

Module(s): 1067523

REF.	QTY.	PART No.	DESCRIPTION
		1067523	2.5m ROLLER ASSEMBLY
1	1	42067.06	PACKER ROLLER - 2.5M
2	1	21568.03	PACKER ROLLER FRAME - 2.5M
3	1	21122.03	ROLLER ARM - L/H
4	1	21122.04	ROLLER ARM - R/H
5	2	0600062	BEARING
6	2	10652141	SPECIAL WASHER
7	2	8581159	BLANKING PLUG
8	2	8650108	BONDED SEAL
9	18	42072.07	SPECIAL WASHER
10	4	21124.03	BEARING PACKER
11	16	42072.06	SCRAPER
12	2	42072.09	SCRAPER PLATE - NARROW
13	1	21335.03	SCRAPER - L/H
14	1	21335.04	SCRAPER - R/H
15	2	0422516	SPRING DOWEL
16	36	9143006	SELF-LOCKING NUT
17	2	0311127	SCREW
18	12	9143007	SELF-LOCKING NUT
19	4	9353126	CAPSCREW
20	2	9353106	CAPSCREW
21	12	9353147	SETSCREW
22	2	21472.01	SPECIAL TAB WASHER
23	18	42072.08	U BOLT
24	2	21122.47	PIVOT BUSH
25	4	0100106	FLAT WASHER

2.5M DD RING ROLLER ASSEMBLY**McCONNEL**

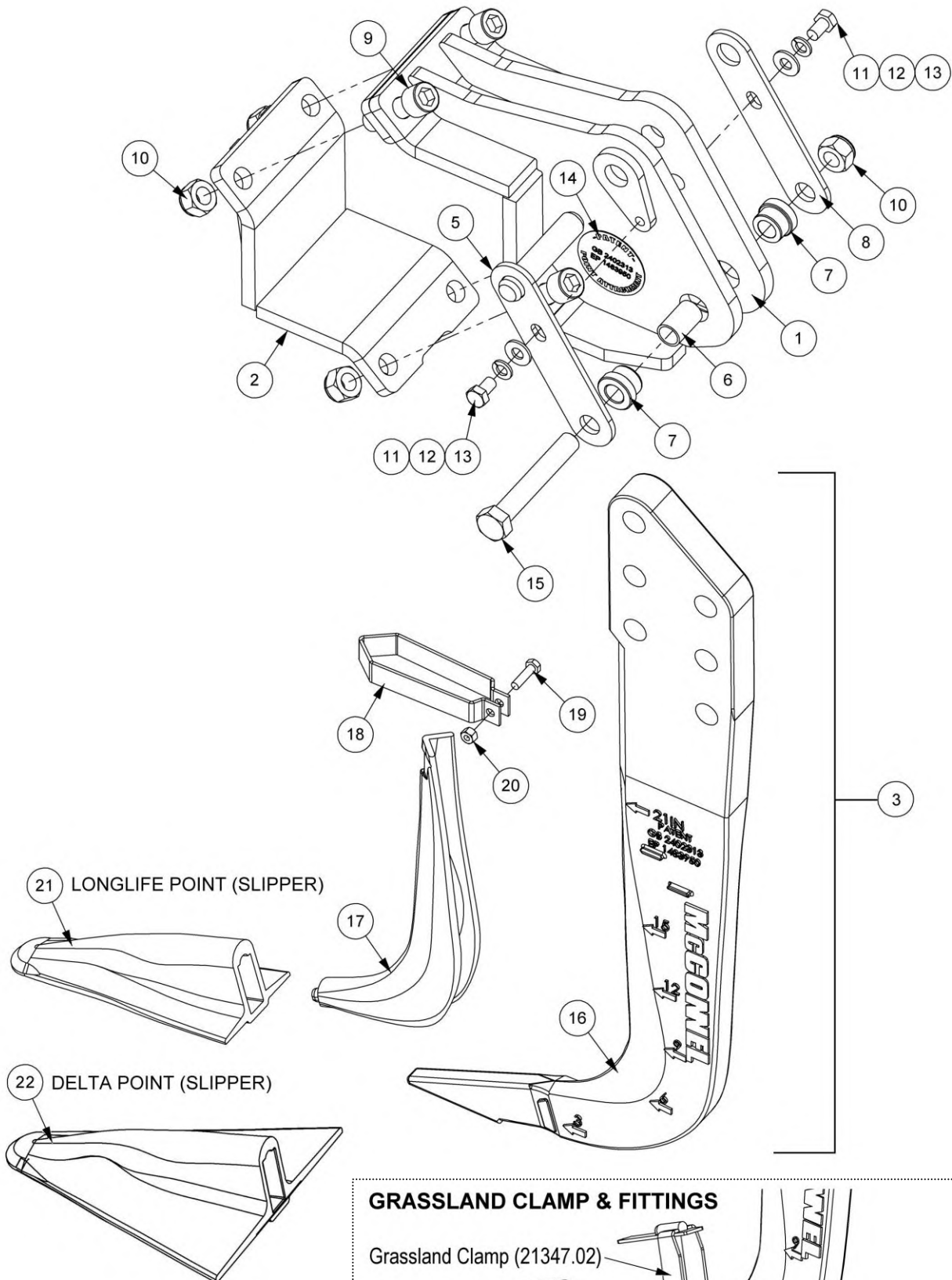
Module(s): 1067518

REF.	QTY.	PART No.	DESCRIPTION
		1067518	ROLLER ASSEMBLY - DD RING
1	1	21122.03	ROLLER ARM - L/H
2	1	21122.04	ROLLER ARM - R/H
3	2	1067260	DD RINGS ASSEMBLY
4	1	21443.01	DD RING CARRIER - 2.5m
5	2	10652141	SPECIAL WASHER
6	2	0311127	SCREW
7	4	9353147	SETSCREW
8	4	9143007	SELF-LOCKING NUT
9	2	0422516	SPRING DOWEL
10	2	21472.01	SPECIAL TAB WASHER

LEG ASSEMBLY (SLIPPER POINT TYPE)

McCONEL

Module(s): 1065827, 1065829



GRASSLAND CLAMP & FITTINGS

Grassland Clamp (21347.02)

Clamp Block (21347.38)

Bolt (9213084)

Setscrew (9313044)

Self-Locking Nut (9143004)

LEG ASSEMBLY (SLIPPER POINT TYPE)

McCONNEL

Module(s): 1065827, 1065829

REF.	QTY.	PART No.	DESCRIPTION
		1065829	* 30" LONGLIFE SLIPPER POINT LEG ASSY. (Folding Models)
		1065827	** 30" DELTA SLIPPER POINT LEG ASSY. (Folding Models)
1	1	21376.01	CLAMP BRACKET
2	1	21376.02	CLAMP PLATE
3	1	1065797	* 30" SHANK ASSY. - LONGLIFE SLIPPER POINT
	1	1065796	** 30" SHANK ASSY. - DELTA SLIPPER POINT
4	1	21376.37	PACKER
5	1	21226.11	PIVOT PIN (LONG)
6	1	21226.08	SLEEVE
7	2	21226.09	SHEAR BUSH (PRESS FIT)
8	1	21226.12	LONG PLATE
9	4	9343148	CAPSCREW
10	5	9163008	NYLOC NUT
11	2	9100106	FLAT WASHER
12	2	9100206	SPRING WASHER
13	2	9313046	SETSCREW
14	1	21365.03	PATENT DECAL
15	1	9200044	BOLT

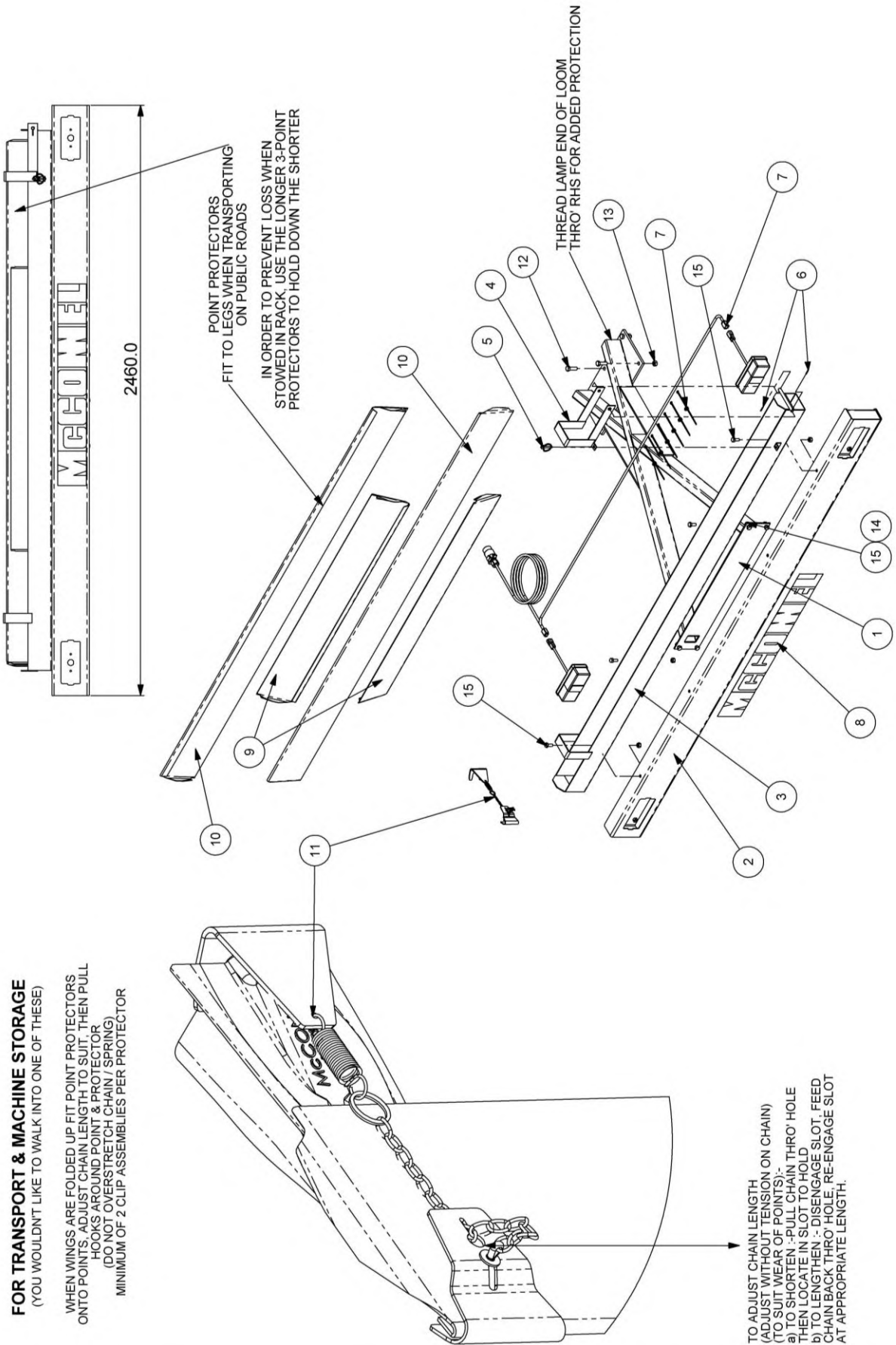
Sub components of Shank Assemblies (Item 3)

		1065797	* 30" SHANK ASSY. (LONGLIFE SLIPPER POINT)
16	1	43085.03	SHEAR BOLT SHANK
17	1	10657821	WEAR SHIN - 24"
18	1	1065248	CLAMP PRESSING
19	1	9313064	SETSCREW
20	1	9143004	SELF-LOCKING NUT
21	1	1065921	LONGLIFE SLIPPER POINT
		1065796	** 30" SHANK ASSY. (DELTA SLIPPER POINT)
16	1	43085.03	SHEAR BOLT SHANK
17	1	10657821	WEAR SHIN - 24"
18	1	1065248	CLAMP PRESSING
19	1	9313064	SETSCREW
20	1	9143004	SELF-LOCKING NUT
22	1	1065922	DELTA SLIPPER POINT

For grassland use where shanks are used without wear shins fitted the following items will be required for slipper point attachment (per leg) - see *diagram opposite*

1	21347.02	GRASSLAND CLAMP
1	21347.38	CLAMP BLOCK
1	9313044	SETSCREW
1	9213084	BOLT
1	9143004	SELF-LOCKING NUT

Module(s): 1067530



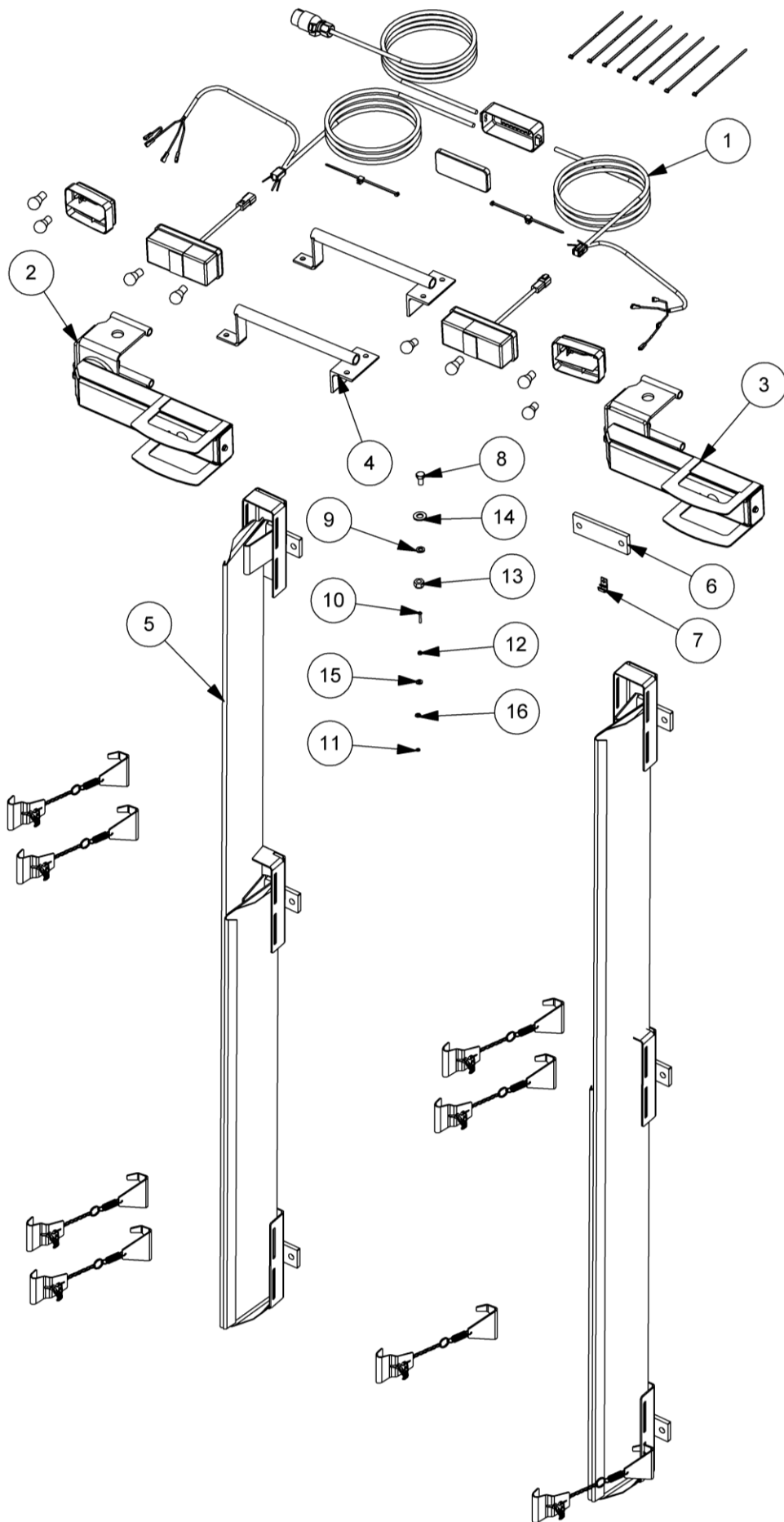
LIGHTING & PROTECTOR KIT (Early Models)

McCONNEL

Module(s): 1067530

REF.	QTY.	PART No.	DESCRIPTION
		1067530	LIGHTBAR & PROTECTOR KIT
1	1	21138.01	LIGHTBAR FRAME
2	1	45381.08	LIGHTBAR
3	1	21138.22	STOWAGE RACK
4	1	21138.21	LATCH
5	1	0431204	LINCH PIN
6	2	0425320	SPRING DOWEL
7	1	45900.04	LIGHTING KIT - LONG & WIDE
	1	45656.03	LIGHTING LOOM
	2	45642.01	RECTANGULAR LIGHT ASSEMBLY
	6	21150.01	PUSH ON CABLE TIE
8	1	1290527	DECAL - McCONNEL
9	2	21133.31	2 POINT PROTECTOR
10	2	21133.34	3-POINT PROTECTOR
11	8	21133.05	CLIP ASSEMBLY
12	6	9213086	BOLT
13	6	9143006	SELF-LOCKING NUT
14	8	9143005	SELF-LOCKING NUT
15	8	9313055	SETSCREW

Module(s): 1067536



Module(s): 1067536

REF.	QTY.	PART No.	DESCRIPTION
		1067536	LIGHTS & PROTECTOR KIT
1	1	45900.06	LIGHTING KIT - <i>comprising of:</i>
	1	21343.01	CONNECTION BOX
	2	45656.04	WIRING LOOM - WING
	1	45656.05	PLUG & CABLE
	2	45642.01	RECTANGULAR LIGHT
	2	EEL0809	FRONT SURFACE MOUNTED LAMP
	2	21150.01	PUSH ON CABLE TIE
	8	7135084	CABLE TIE
	2	7560087	TAIL / STOP BULB
	4	7560088	FLASHER BULB
	2	7560156	SIDELIGHT BULB
2	1	21339.28	LIGHT ARM - R/H
3	1	21339.29	LIGHT ARM - L/H
4	2	21339.19	WING CONDUIT
5	1	21341.29	POINT PROTECTORS ASSEMBLY - c/o:
	4	21341.01	END CRADLE
	2	21341.02	CENTRE CRADLE
	2	21133.31	2-POINT PROTECTOR
	2	21133.34	3-POINT PROTECTOR
	8	21133.05	CLIP ASSEMBLY
6	8	42073.01	CLAMP PLATE
7	4	21151.01	D CLIP
8	10	9313045	SETSCREW
9	10	9100205	SPRING WASHER
10	4	9300133	SCREW
11	4	9100101	FLAT WASHER
12	4	9163001	NYLOC NUT
13	16	0141005	CLEVELOC NUT
14	16	0100105	FLAT WASHER
15	4	9100103	FLAT WASHER
16	4	9100203	SPRING WASHER
17	16	0211445	BOLT - <i>not shown</i>



McConnel Limited, Temeside Works, Ludlow, Shropshire SY8 1JL. England.
Telephone: 01584 873131. Facsimile: 01584 876463. www.mcconnel.com