

# **Vibratilth**

(Compact Shakaerator)

## **Parts Manual**



## CONTENTS

---

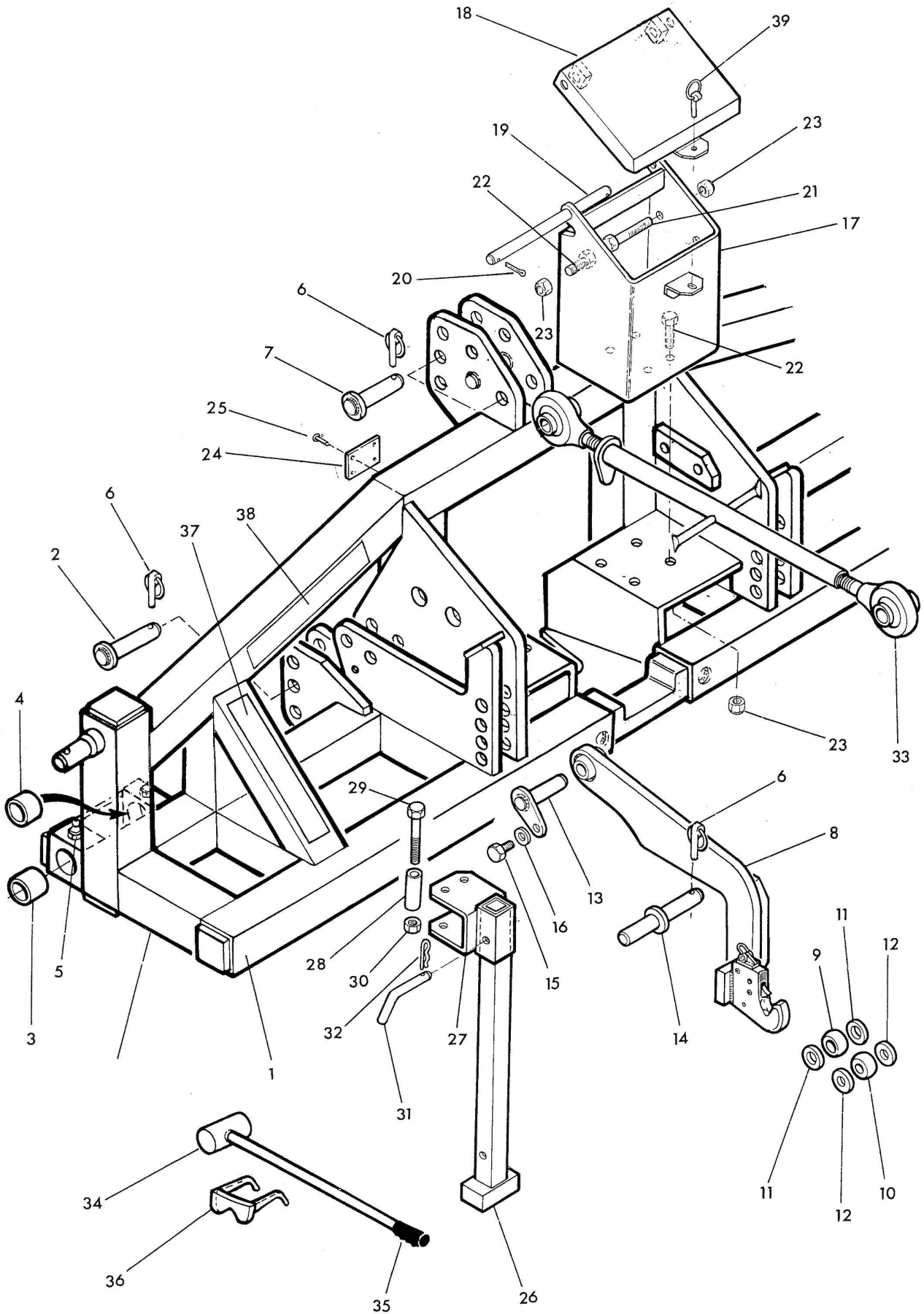
### **Vibratilth**

3.0M & 4.0M Compact Frame Assembly	2
Hydraulic Shakerbox Assembly	4
Motor Assembly & Flow Control Kit (Early Type)	6
Motor Assembly	8
Flow Control Kits (Later Type)	9
Leg Assemblies ('Knock On' Point Type)	10
Leg Assemblies (Slipper Point Type)	12
Land Wheel Assembly (4.0M Models)	14

# 3.0M & 4.0M COMPACT FRAME ASSEMBLY

Module(s): 42806.03, 42806.04

# McCONEL



3.0M & 4.0M COMPACT FRAME ASSEMBLY

**McCONNEL**

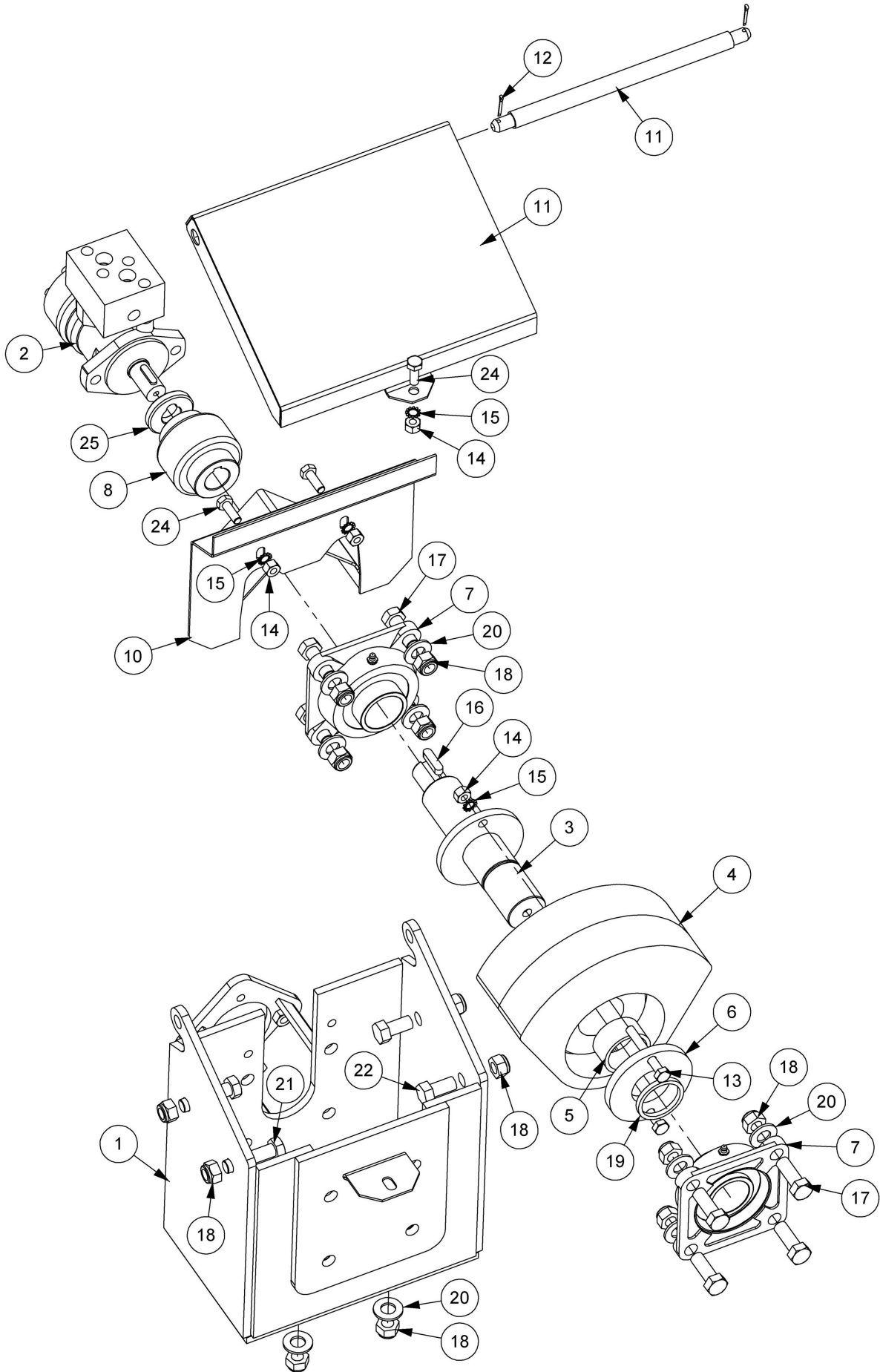
Module(s): 42806.03, 42806.04

REF.	QTY.	PART No.	DESCRIPTION
1		<b>42806.03</b>	<b>FRAME - 3.0M</b>
		<b>42806.04</b>	<b>FRAME - 4.0M</b>
2	2	1066140	LOWER LINK PIN
3	2	1065181	BUSH
4	2	7213023	BUSH
5	4	0901121	GREASER
6	6	0431216	LINCH PIN
7	2	1066141	TOP LINK PIN
8	1	42895.01	LIFT ARM - L/H
	1	42895.02	LIFT ARM - R/H
9	2	1066178	BALL - CAT.3
10	2	1066177	BALL - CAT.2
11	4	1066180	BALL SPACER - CAT.3
12	4	1066179	BALL SPACER - CAT.2
13	2	1066173	PIVOT PIN - LIFT ARM
14	2	1066174	ADJUSTER PIN - LIFT ARM
15	2	9313066	SETSCREW
16	2	9100206	SPRING WASHER
	<b>1</b>	<b>1066261</b>	<b>TOOL BOX ASSEMBLY - including:</b>
17	1	42898.01	TOOLBOX
18	1	42899.02	LID
19	1	42810.06	HINGE ROD
20	2	9501255	SPLIT PIN
21	2	0211166	BOLT
22	4	0311126	SETSCREW
23	6	0141006	SELF-LOCKING NUT
24	1	1335246	SERIAL No. PLATE
25	4	7103230	POP RIVET
	<b>2</b>	<b>42829.01</b>	<b>SUPPORT LEG - including:</b>
26	1	42829.11	SUPPORT LEG
27	1	42829.10	SUPPORT CLAMP
28	1	42829.12	SPACER TUBE
29	1	9213286	BOLT
30	1	9143006	SELF-LOCKING NUT
31	1	1090051	LEG PIN
32	1	0431105	SPRING COTTER
33	1	1066258	TOP LINK CAT.3
34	1	1065245	HAMMER
35	1	1065173	GRIP
36	1	1065246	SAFETY GLASSES
37	2	43116.31	DECAL - VIBRASOL
38	2	1290253	DECAL - McCONNEL
39	3	0431217	LINCH PIN

# HYDRAULIC SHAKERBOX ASSEMBLY

**McCONEL**

Module(s): 42896.29



## HYDRAULIC SHAKERBOX ASSEMBLY

**McCONNEL**

Module(s): 42896.29

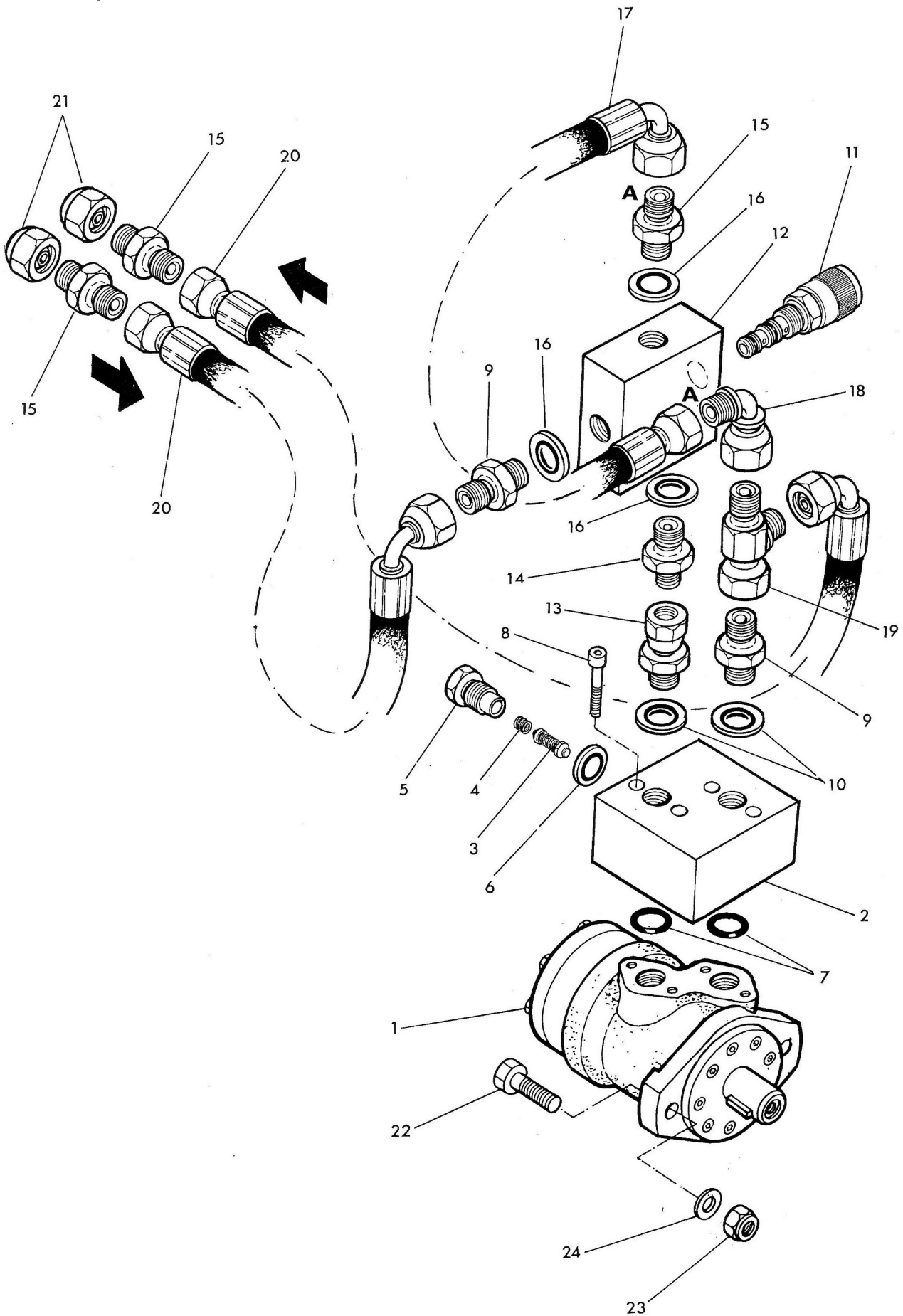
REF.	QTY.	PART No.	DESCRIPTION
		<b>42896.29</b>	<b>SHAKERBOX ASSEMBLY</b>
1	1	42896.01	SHAKERBOX
2	1	42903.01	MOTOR ASSEMBLY
3	1	42897.01	SHAKER SHAFT
4	1	1066284	FLYWHEEL
5	1	6000160	BUSH
6	1	1066163	CLAMP DISC
7	2	0600054	FLANGED BEARING UNIT
8	1	1066172	COUPLING
9	1	42810.05	HINGE ROD
10	1	42900.01	COUPLING GUARD
11	1	42899.01	SHAKERBOX LID
12	2	9501255	SPLIT PIN
13	2	9213165	BOLT
14	5	9143005	SELF-LOCKING NUT
15	5	9100405	SHAKEPROOF WASHER
16	1	05.960.03	KEY
17	8	0211146	BOLT
18	16	0141006	CLEVELOC NUT
19	1	1066154	SPACER SLEEVE
20	12	0100106	FLAT WASHER
21	2	0211206	BOLT
22	2	0311106	SCREW
23	2	9143006	SELF-LOCKING NUT
24	3	9213065	BOLT
25	1	1066181	SHAFT SPACER (NYLON)

# MOTOR ASSEMBLY & FLOW CONTROL KIT

Module(s): 42903.01 (Motor Assembly), 42941.01 (Flow Control Kit)

# McCONNEL

Machines prior to Serial No. M1020950



**MOTOR ASSEMBLY & FLOW CONTROL KIT**



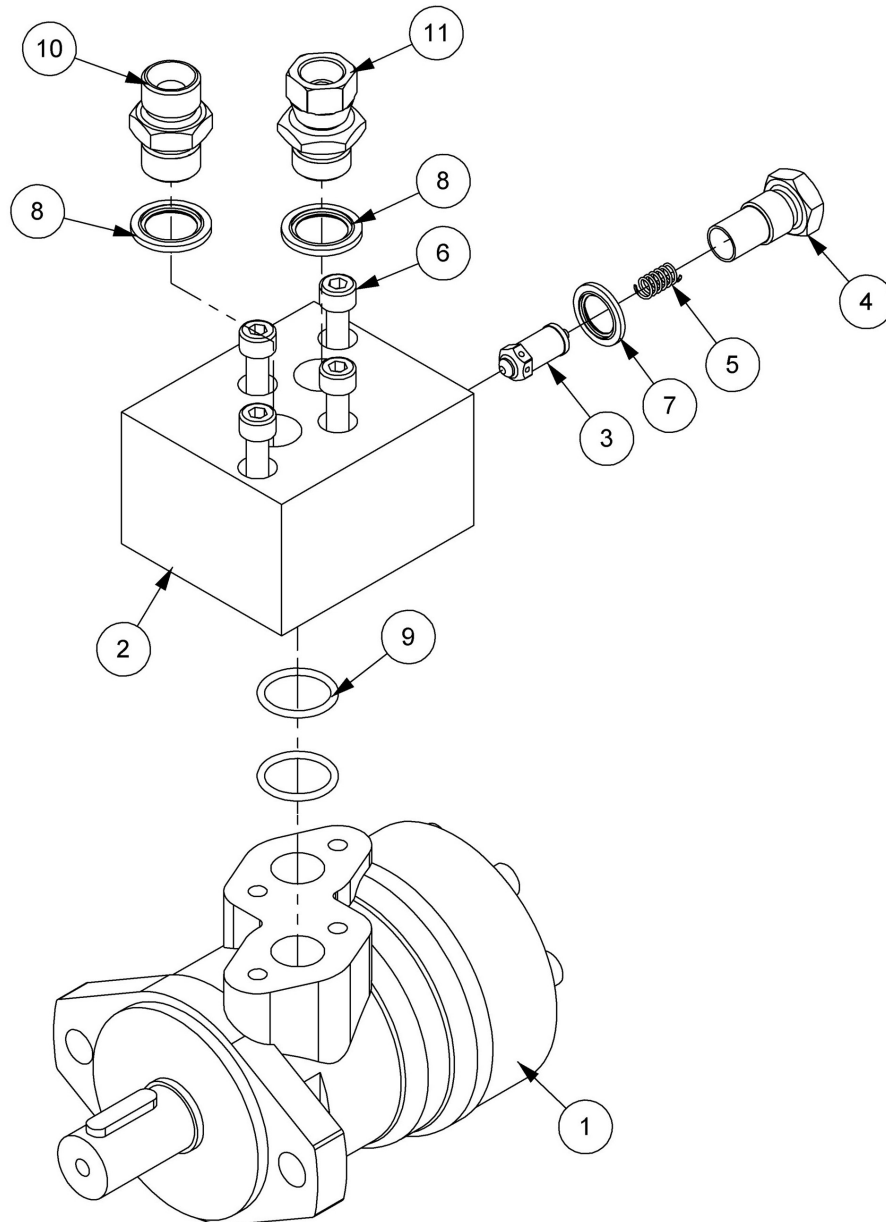
Module(s): 42903.01 (Motor Assembly), 42941.01 (Flow Control Kit)

REF.	QTY.	PART No.	DESCRIPTION
			<b>HYDRAULIC MOTOR AND FLOW CONTROL INSTALLATION</b>
		<b>42903.01</b>	<b>HYDRAULIC MOTOR ASSEMBLY - including:</b>
1	1	1989057	MOTOR
2	1	41360.01	MOTOR VALVE BLOCK
3	1	8130124	RELIEF VALVE - 140BAR
4	1	8116011	SPRING
5	1	8130032	VALVE CAP
6	1	8650103	BONDED SEAL
7	2	8600403	O RING
8	4	9343104	CAPSCREW
9	2	8581110	ADAPTOR
10	2	8650104	BONDED SEAL
	1	<b>42941.01</b>	<b>FLOW CONTROL KIT</b>
11	1	8104045	FLOW CONTROL VALVE
12	1	8104046	VALVE BODY
13	1	8581285	STRAIGHT SWIVEL ADAPTOR
14	1	6000112	ADAPTOR
15	3	8581110	ADAPTOR
16	3	8650104	BONDED SEAL
17*	1	8533144	HOSE - 1/2" BSP x 22" long ( <i>open centre only</i> )
18	1	G520 0331	SWEPT ELBOW
19	1	19520728	TEE
20	2	8533094	HOSE - 1/2" BSP x 63" long
21	2	8582054	BLANKING CAPS
22	2	9313086	SETSCREW
23	2	9143006	SELF-LOCKING NUT
24	2	9100406	EXTERNAL SERRATED WASHER
		<b>86 99 233</b>	<b>MOTOR SEAL KIT</b>

\* Note:

*When Compact Shakaerator is used on tractors with closed centre hydraulic systems e.g. John Deere, the hose (item 17) is discarded and the two delivery blanking caps (item 21) are used to plug the two resulting open connections at positions A.*





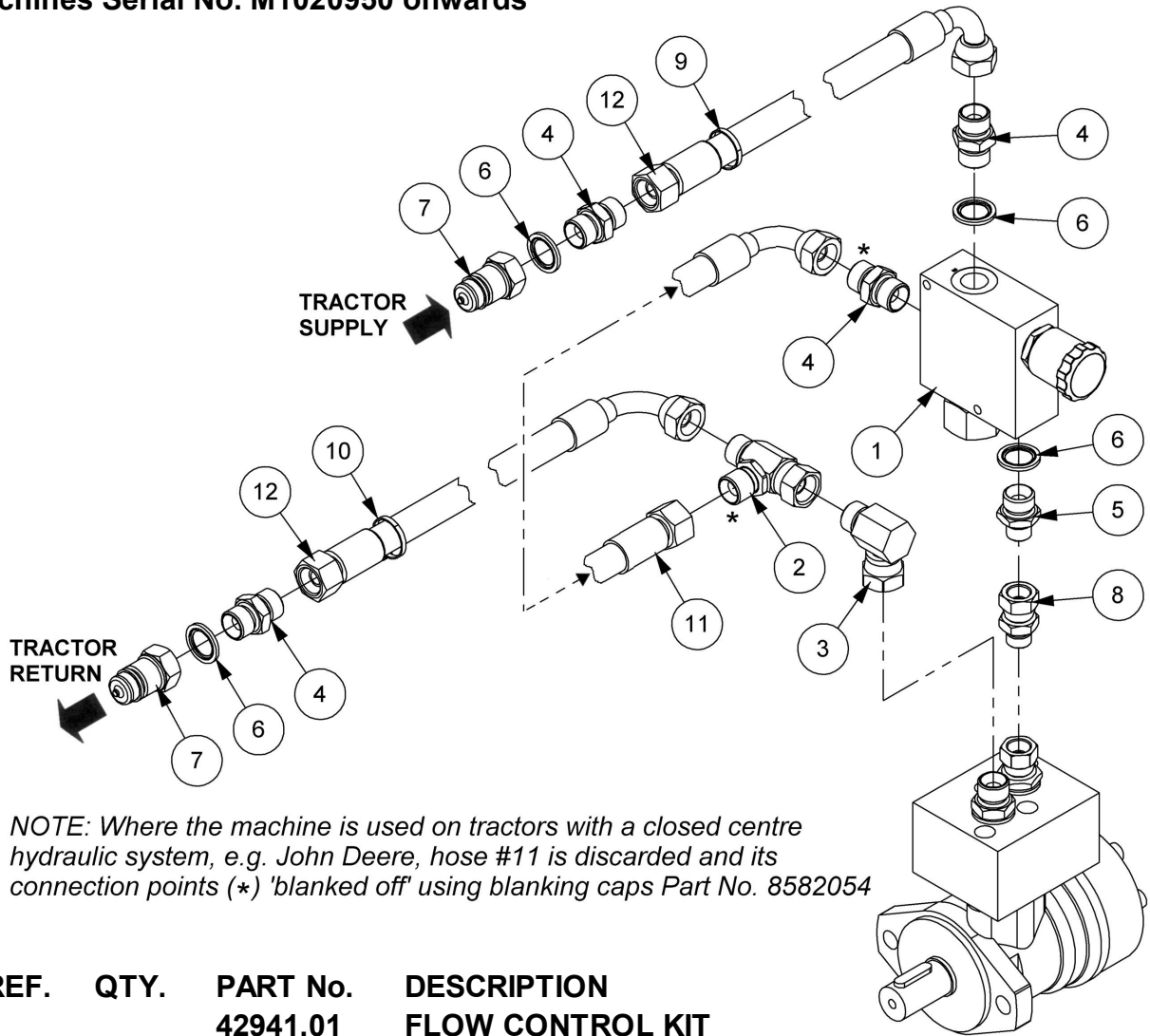
REF.	QTY.	PART No.	DESCRIPTION
		<b>42903.01</b>	<b>MOTOR ASSEMBLY</b>
1	1	1989057	HYDRAULIC MOTOR
2	1	41360.01	MOTOR VALVE PLATE
3	1	8130124	RELIEF VALVE (140BAR)
4	1	8130032	RELIEF VALVE CAP
5	1	8116011	SPRING
6	4	9343104	CAPSCREW
7	1	8650103	BONDED SEAL
8	2	8650104	BONDED SEAL
9	2	8600403	O RING
10	1	8581110	ADAPTOR
11	1	8581285	ADAPTOR

# FLOW CONTROL KITS

**McCONNEL**

Module(s): 42941.01 (Rev.E), 42941.02 (Rev.C), 42941.03 (Rev.C)

**Machines Serial No. M1020950 onwards**



*NOTE: Where the machine is used on tractors with a closed centre hydraulic system, e.g. John Deere, hose #11 is discarded and its connection points (\*) 'blanked off' using blanking caps Part No. 8582054*

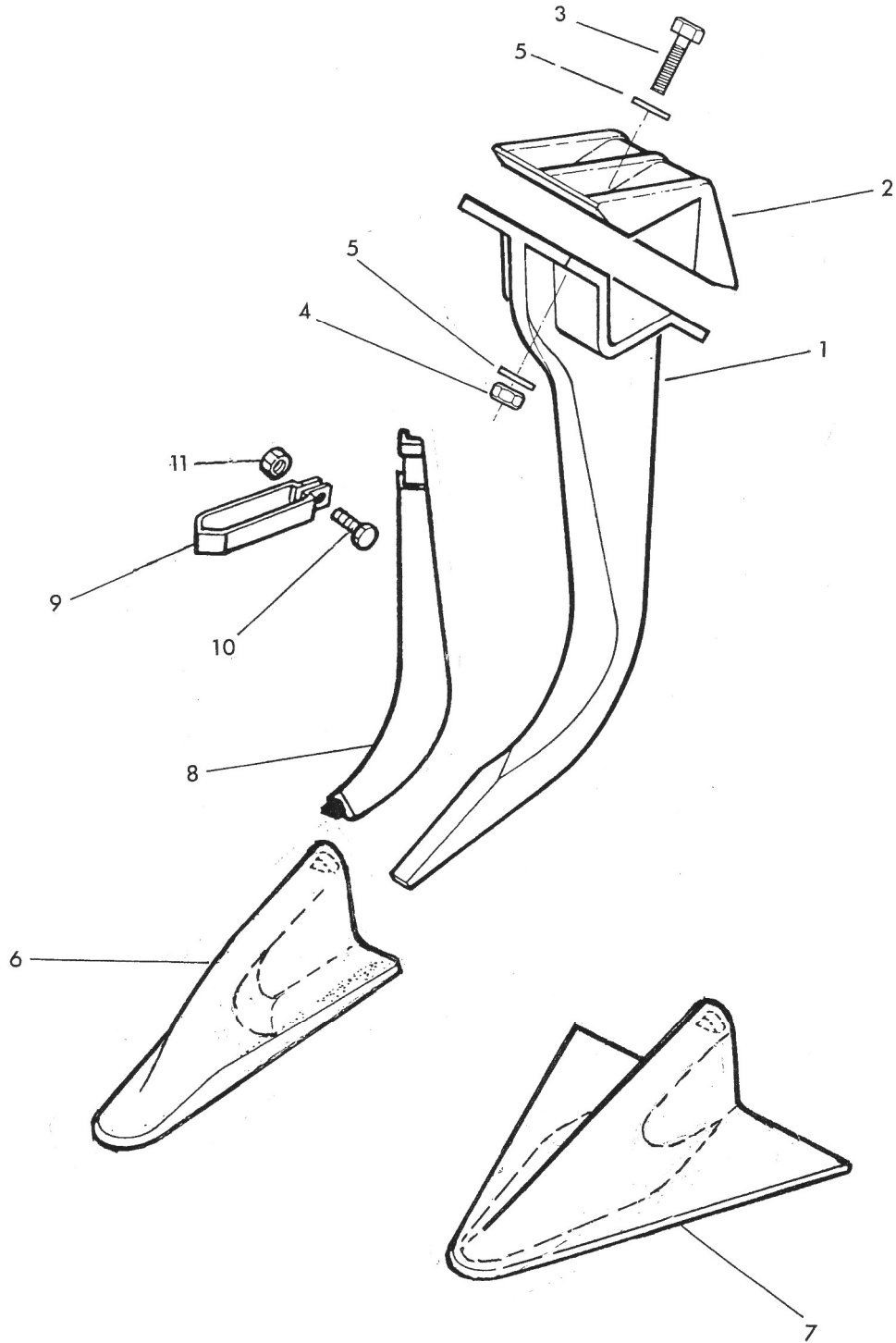
REF.	QTY.	PART No.	DESCRIPTION	
		<b>42941.01</b>	<b>FLOW CONTROL KIT</b>	
		<b>42941.02</b>	<b>FLOW CONTROL KIT</b>	
		<b>42941.03</b>	<b>FLOW CONTROL KIT</b>	
1	1	8104047	FLOW CONTROL VALVE	
2	1	520728	ADAPTOR TEE	
3	1	G5200331	ADAPTOR ELBOW	
4	4	8581110	ADAPTOR	
5	1	6000112	ADAPTOR	
6	5	8650104	BONDED SEAL	
7	2	8590074	QUICK RELEASE	
8	1	8581178	SWIVEL ADAPTOR	
9	1	22941.01	RED CABLE TIE	
10	1	22941.02	BLUE CABLE TIE	
11	1	8533144	HOSE - 1/2" BSP FS/F90 x 22"	<i>Kits 42941.01 &amp; .02</i>
	1	10.006.11	HOSE - 1/2" BSP FS/F90 x 550mm	<i>Kit 42941.03 only</i>
12	2	8533094	HOSE - 1/2" BSP FS/F90 x 63"	<i>Kit 42941.01 only</i>
	2	10.006.38	HOSE - 1/2" BSP FS/F90 x 2800mm	<i>Kit 42941.02 only</i>
	2	10.006.40	HOSE - 1/2" BSP FS/F90 x 3000mm	<i>Kit 42941.03 only</i>

**NOTE: Flow Control Kits contain identical components they differ only in the lengths of their hoses.**

LEG ASSEMBLIES (KNOCK ON POINT TYPE)

**McCONNEL**

Module(s): 1065799, 1065798

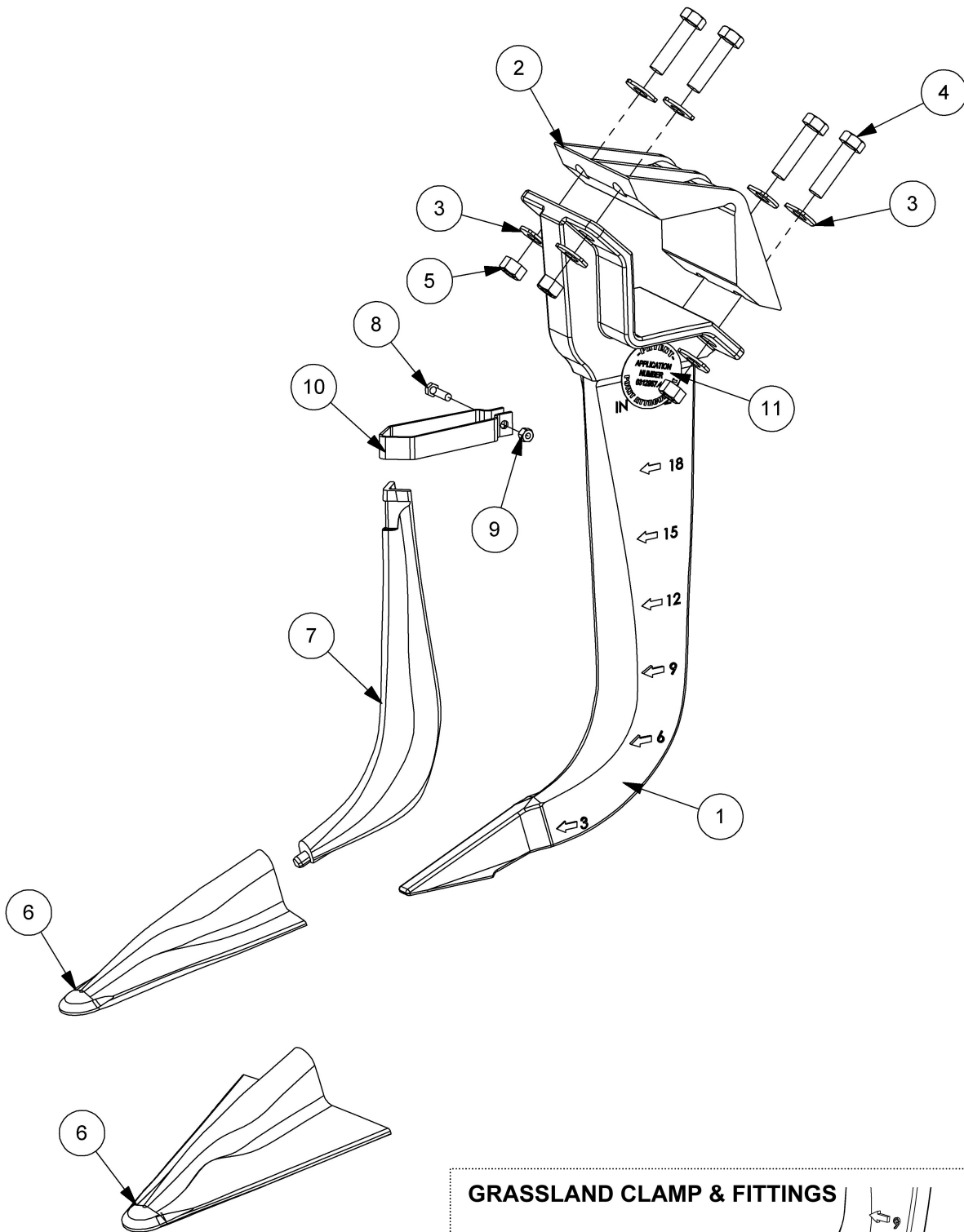


LEG ASSEMBLIES (KNOCK ON POINT TYPE)

**McCONNEL**

Module(s): 1065799, 1065798

REF.	QTY.	PART No.	DESCRIPTION
		<b>1065799</b>	<b>24" LEG ASSEMBLY - LONGLIFE (KNOCK ON) POINT</b>
		<b>1065798</b>	<b>24" LEG ASSEMBLY - DELTA (KNOCK ON) POINT</b>
		1065327	24" SHANK ASSEMBLY - <i>includes:</i>
1	1	1065275	SHANK
2	1	1065276	CLAMP
3	4	0200020	BOLT
4	4	0111006	NUT
5	8	1065077	SPECIAL WASHER
6	1	1065920	LONGLIFE SUBSOILING POINT ( <i>Knock On</i> )
7	1	43076.02	DELTA CULTIVATION POINT ( <i>Knock On</i> )
8	1	1065782	WEAR SHIN
9	1	1065248	CLAMP
10	1	9143004	SETSCREW
11	1	9313064	SELF-LOCKING NUT



**GRASSLAND CLAMP & FITTINGS**

Grassland Clamp (21347.01)

Setscrew (9313044)

Self-Locking Nut (9143004)

LEG ASSEMBLIES (SLIPPER POINT TYPE)

**McCONNEL**

Module(s): 1065831, 1065832

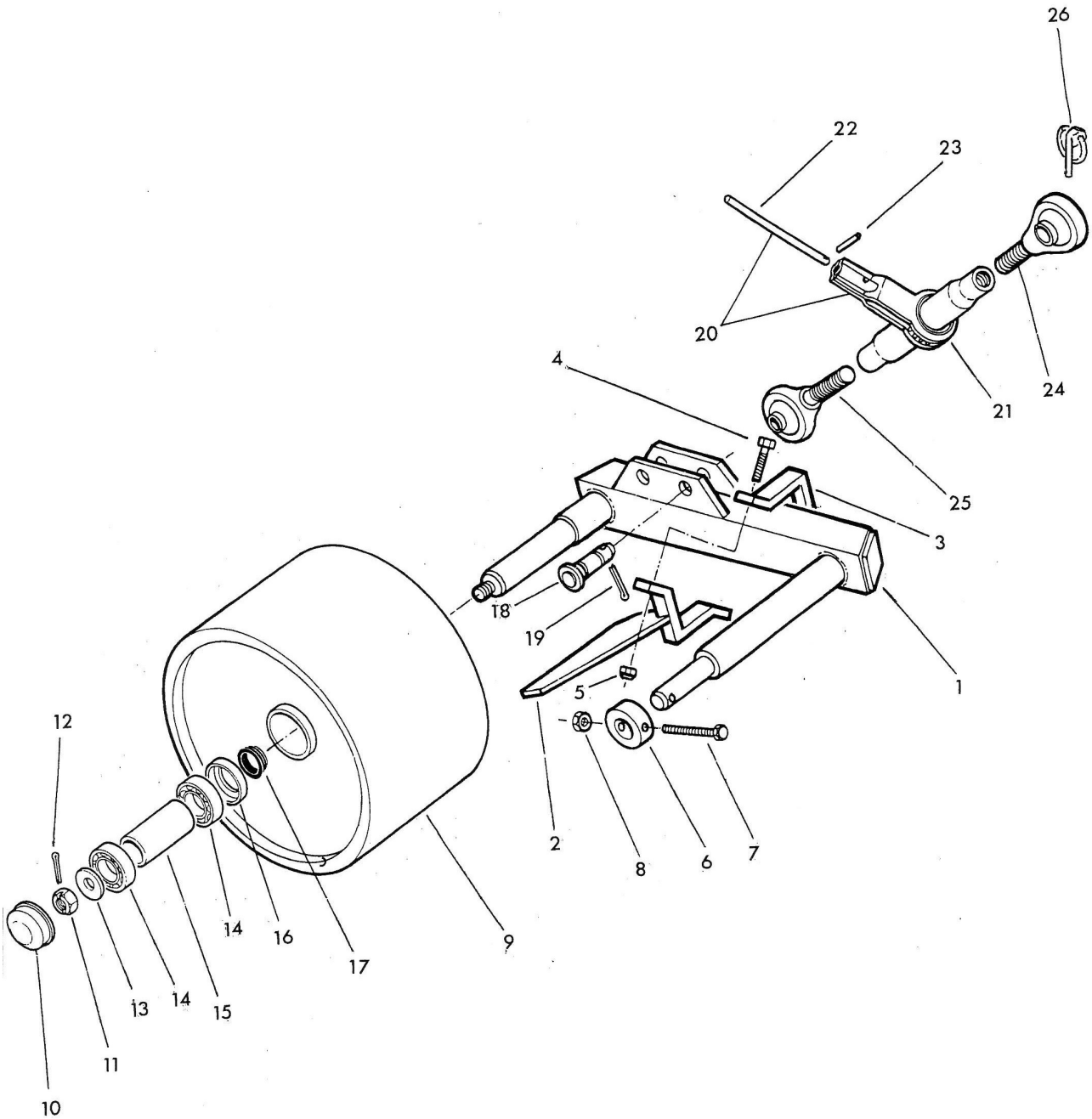
REF.	QTY.	PART No.	DESCRIPTION
		<b>1065831</b>	<b>24" LEG ASSEMBLY - LONGLIFE (SLIPPER) POINT</b>
		<b>1065832</b>	<b>24" LEG ASSEMBLY - DELTA (SLIPPER) POINT</b>
		<b>1065830</b>	<b>24" SHANK ASSEMBLY (Comprises of items 1 - 5)</b>
1	1	43085.04	SLIPPER SHANK CLAMP
2	1	1065276	CLAMP PLATE
3	8	1065077	SPECIAL WASHER
4	4	0200020	SPECIAL BOLT
5	4	0111006	NUT
6	1	1065921	LONGLIFE SLIPPER POINT ( <i>Assembly 1065831</i> )
	1	1065922	DELTA SLIPPER POINT ( <i>Assembly 1065832</i> )
7	1	10657821	WEAR SHIN
8	1	9313064	SETSCREW
9	1	9143004	SELF-LOCKING NUT
10	1	1065248	CLAMP PRESSING
11	1	21365.03	PATENT DECAL
		<b>1065839</b>	<b>24" LEG ASSEMBLY (GRASSLAND)</b>
		<b>1065830</b>	<b>24" SHANK ASSEMBLY (Comprises of items 1 - 5)</b>
1	1	43085.04	SLIPPER SHANK CLAMP
2	1	1065276	CLAMP PLATE
3	8	1065077	SPECIAL WASHER
4	4	0200020	SPECIAL BOLT
5	4	0111006	NUT
6	1	1065921	LONGLIFE SLIPPER POINT
(●)	1	21347.01	GRASSLAND CLAMP
(●)	1	9313044	SETSCREW
(●)	1	9143004	SELF-LOCKING NUT

For grassland use where shanks are used without wear shins fitted the following items (●) above are required for slipper point attachment (per leg) - see *illustration opposite*

LAND WHEEL ASSEMBLY (4.0M models only)

**McCONNEL**

Module(s): 1065795



Module(s): 1065795

REF.	QTY.	PART No.	DESCRIPTION
		<b>1065795</b>	<b>WHEEL &amp; ARM ASSEMBLY KIT</b>
		<b>1065505</b>	<b>WHEEL ASSEMBLY - R/H</b>
		<b>1065506</b>	<b>WHEEL ASSEMBLY - L/H</b>
1	1	1065501	WHEEL ARM - R/H
	1	1065502	WHEEL ARM - L/H ( <i>not illustrated</i> )
2	1	1065503	SCRAPER - R/H
	1	1065504	SCRAPER - L/H ( <i>not illustrated</i> )
3	1	1065030	CLAMP
4	2	0200009	BOLT
5	2	0141006	SELF-LOCKING NUT
6	1	1065211	PIVOT AXLE LOCK RING
7	1	9213145	BOLT
8	1	9143005	SELF-LOCKING NUT
9	1	1065496	WHEEL
10	1	1065215	HUB CAP
11	1	0172009	SLOTTED NUT
12	1	0503125	SPLIT PIN
13	1	1065225	CLAMP WASHER
14	2	0600055	BEARING
15	1	1065224	BEARING SPACER
16	1	1065226	SEAL CAP
17	1	8629143	SEAL
18	1	1065212	SHEAR PIN
19	1	0503104	SPLIT PIN
	2	1065481	RATCHET LINK ASSEMBLY - <i>including:</i>
20	1	1065188	TUBE RATCHET WITH HANDLE
21	1	1065216	RATCHET
22	1	7115217	HANDLE
23	1	0421820	SPRING DOWEL
24	1	1065189	BALL END CAT.3
25	1	1065190	BALL END CAT.1
26	2	0431217	LINCH PIN







McConnel Limited, Temeside Works, Ludlow, Shropshire SY8 1JL. England.  
Telephone: 01584 873131. Facsimile: 01584 876463. [www.mcconnel.com](http://www.mcconnel.com)