

Publication 648  
April 2010  
Part No. 22674.48  
Revised: 28.09.11

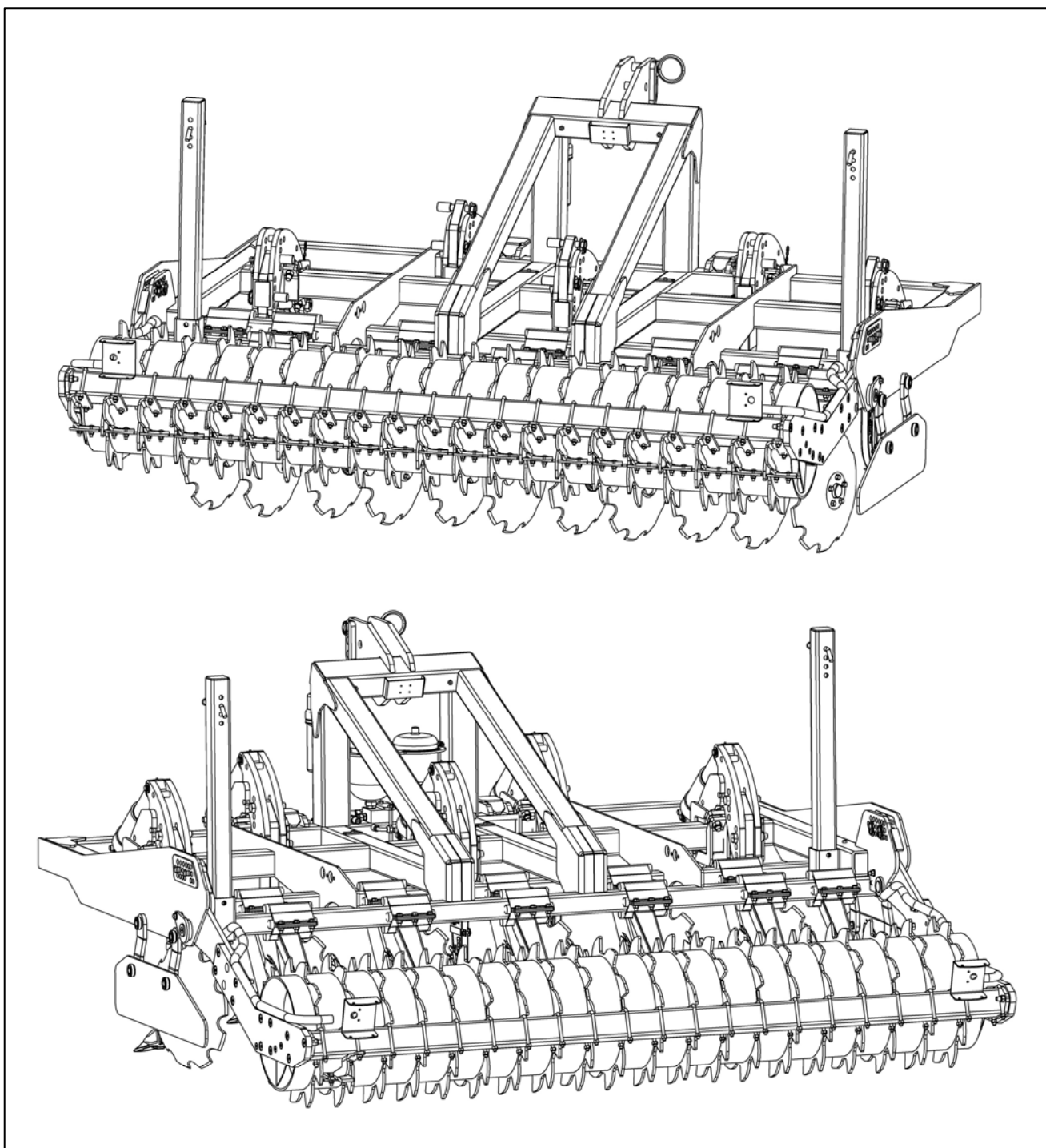
# McCONEL

## DISCAERATOR 3000

### Primary Cultivator



Parts Manual





*For best performance ...*

## **USE ONLY GENUINE McCONEL SERVICE PARTS**

*To be assured of the latest design improvements purchase your  
'Genuine Replacements' from the 'Original Equipment Manufacturer'*

# **McCONEL LIMITED**

*Through your local Dealer or Stockist*

**Always quote:**

- ***Machine Type***
- ***Serial Number***
- ***Part Number***

*Design improvements may alter some of the parts listed in this manual –  
the latest parts will always be supplied when it is interchangeable with an earlier one.*



## CONTENTS

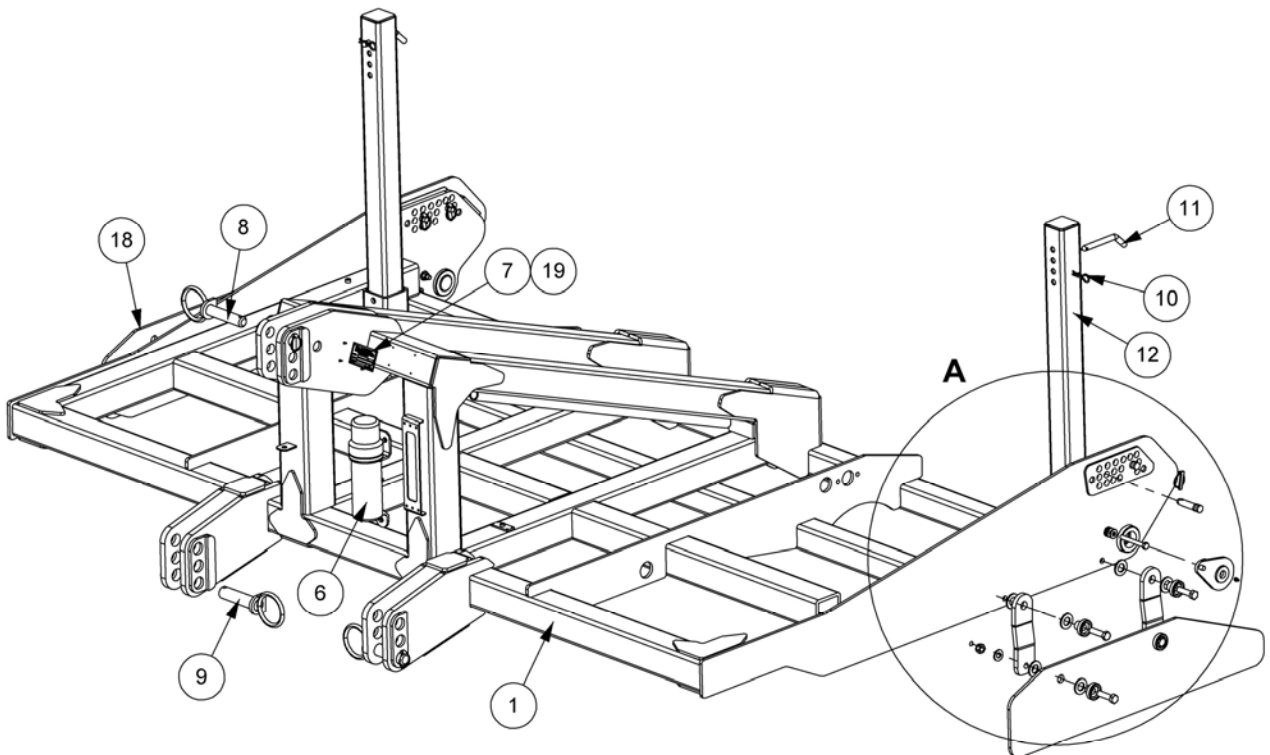
---

Main Frame Assembly	1
Single Front Disc Assembly (Outer) – <i>Machines prior to 07/09</i>	3
Single Front Disc Assembly (Outer) – <i>Machines 07/09 onwards</i>	4
Single Front Disc Assembly (Inner) – <i>Machines prior to 07/09</i>	5
Single Front Disc Assembly (Inner) – <i>Machines 07/09 onwards</i>	6
Single Rear Disc Assembly – <i>Machines prior to 07/09</i>	7
Single Rear Disc Assembly – <i>Machines 07/09 onwards</i>	8
Double Rear Disc Assembly – <i>Machines prior to 07/09</i>	9
Double Rear Disc Assembly – <i>Machines 07/09 onwards</i>	10
Replaceable Hub Components – <i>Machines prior to 07/09</i>	11
Replaceable Hub Components – <i>Machines 07/09 onwards</i>	12
Breakback Leg Assemblies (Mechanical) – <i>Machines prior to 10/10</i>	13
Breakback Leg Assemblies (Mechanical) – <i>Machines 10/10 onwards</i>	15
Breakback Leg Assembly (Hydraulic)	17
Auto-Reset Leg Assembly	19
Shank Assembly	21
Hydraulic Ram Assembly	23
Hydraulic Installation (5 Leg models)	25
Hydraulic Installation (7 Leg models)	27
Standard Packer Roller Assembly (600mm)	29
Ridge Packer Roller Assembly (600mm)	31
Ridge Packer Roller Assembly (800mm)	33
Guttler Roller Assembly	35
Rear Lighting Kit	36
Decal Kit	37

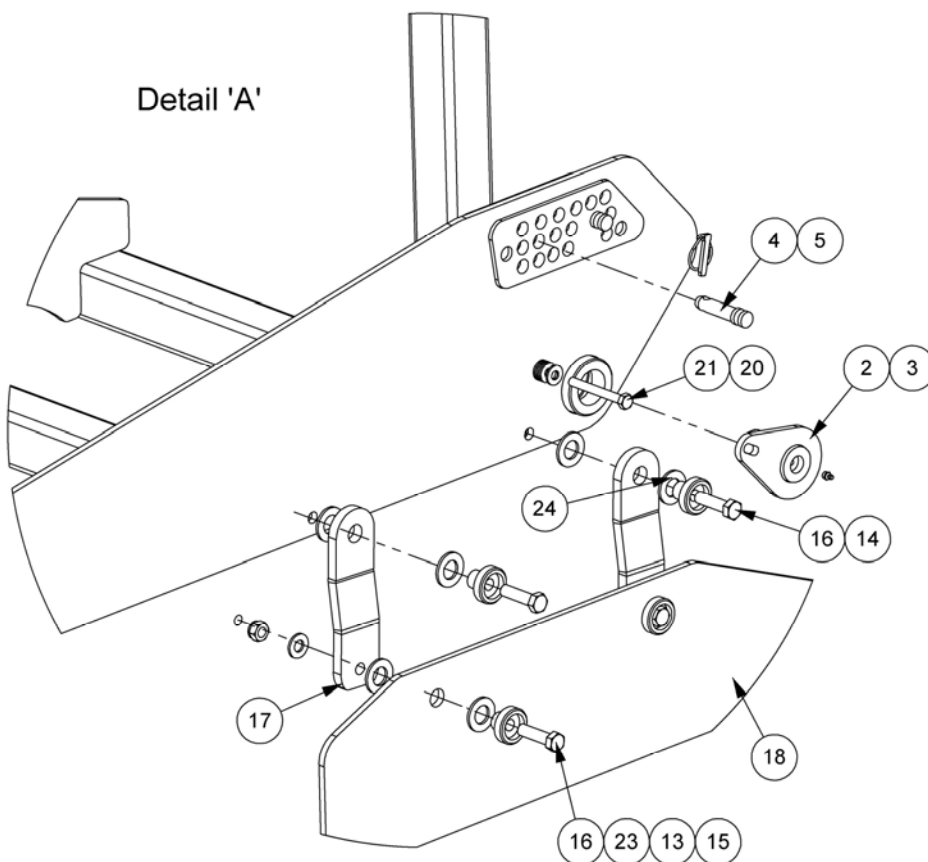
# MAIN FRAME ASSEMBLY

Module(s): 1064700

# McCONEL



Detail 'A'



MAIN FRAME ASSEMBLY

**McCONNEL**

Module(s): 1064700

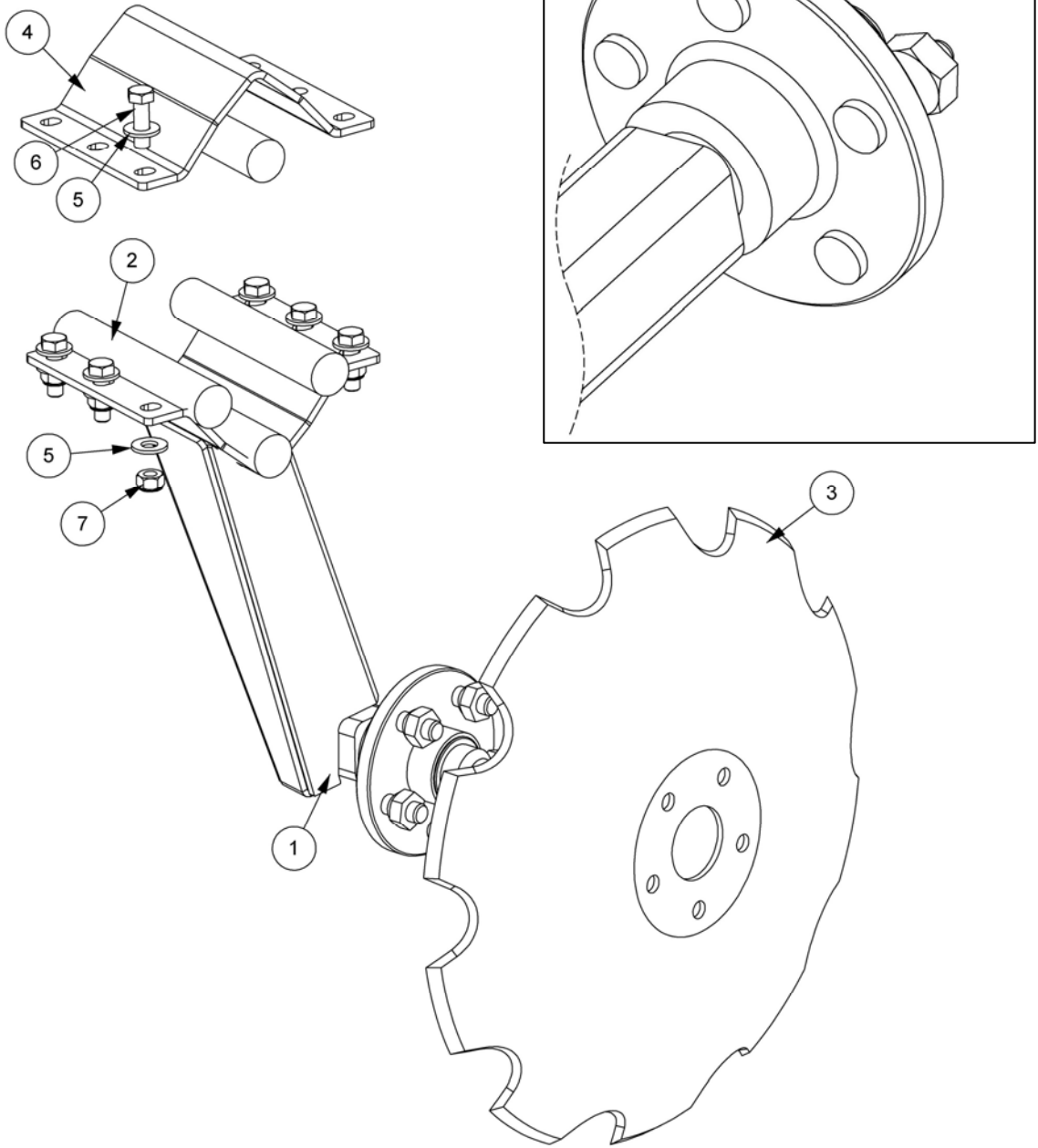
REF.	QTY.	PART No.	DESCRIPTION
		<b>1064700</b>	<b>MAIN FRAME ASSEMBLY</b>
1	1	22820.01	3.0M DISCAERATOR FRAME
2	2	42684.17	ROLLER PIVOT PIN
3	2	0901121	GREASE NIPPLE
4	4	41267.08	LINK PIN
5	7	0431217	LINCH PIN
6	1	46505.02	MANUAL HOLDER ASSEMBLY
7	1	1335246	SERIAL No. PLATE
8	1	22617.01	TOP LINK PIN
9	2	22617.02	BOTTOM LINK PIN
10	2	0431105	SPRING COTTER
11	2	43327.02	LEG PIN
12	2	22766.01	LEG STAND
13	8	0100106	WASHER
14	4	22778.37	COLLAR
15	8	T7942	NYLOC NUT
16	8	9200031	BOLT
17	4	22778.36	SIDE SKIRT HINGE PLATE
18	2	22778.38	SIDE SKIRT
19	4	7103230	POP RIVET
20	14	9100106	FLAT WASHER
21	2	9213206	BOLT
22	2	9163006	NYLOC NUT
23	4	22778.43	COLLAR (LONG)
24	16	0100109	FLAT WASHER

SINGLE FRONT DISC ASSEMBLY (OUTER)

**McCONEL**

Module(s): 22612.02 (Rev. A)

**Machines manufactured prior to 07/09**  
**- for hub components refer to page 11**



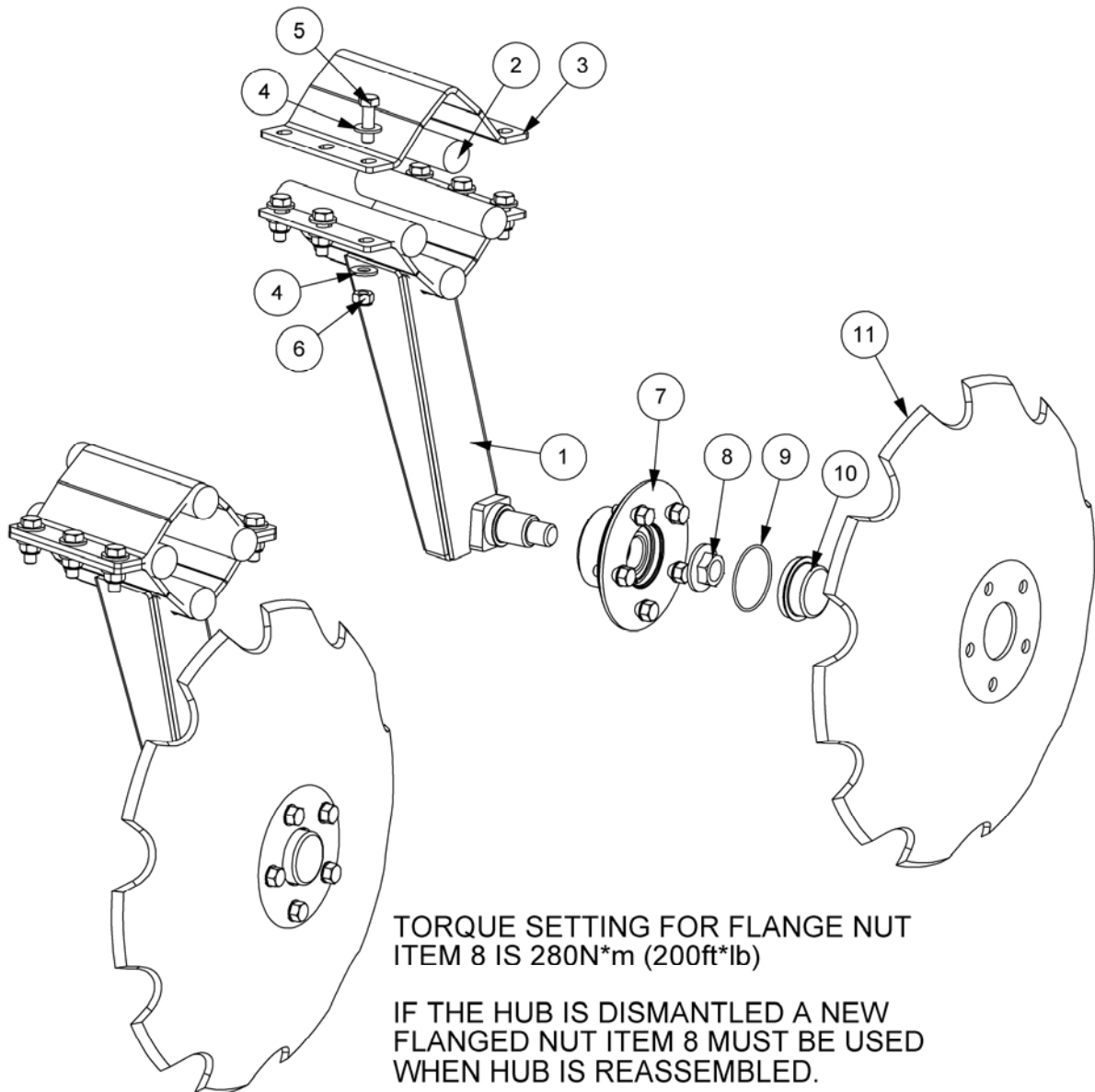
REF.	QTY.	PART No.	DESCRIPTION
		<b>22612.02</b>	<b>SINGLE OUTER FRONT DISC ASSEMBLY</b>
1	1	22612.11	FRONT LEG & HUB (SINGLE OUTER)
2	4	22546.39	RUBBER SHOCK ABSORBER
3	1	22546.11	CONCAVE SERRATED DISC
4	1	22546.60	DISC CLAMP
5	12	9100106	FLAT WASHER
6	6	9213086	BOLT
7	6	9163006	NYLOC NUT

# SINGLE FRONT DISC ASSEMBLY (OUTER)

**McCONNEL**

Module(s): 22612.02 (Rev. D)

**Machines manufactured 07/09 onwards**  
**- for hub components refer to page 12**



REF.	QTY.	PART No.	DESCRIPTION
		<b>22612.02</b>	<b>SINGLE OUTER FRONT DISC ASSEMBLY</b>
1	1	22612.11	FRONT SINGLE DISC (OUTER)
2	4	22546.39	RUBBER SHOCK ABSORBER
3	1	22546.60	DISC CLAMP
4	12	9100106	FLAT WASHER
5	6	9213086	BOLT
6	6	9163006	NYLOC NUT
7	1	22546.14	HUB ASSEMBLY C/W BEARING & SEALS
8	1	22546.66	FLANGE NUT
9	1	22546.69	O RING
10	1	22546.65	GREASE CAP
11	1	22546.11	CONCAVE SERRATED DISC

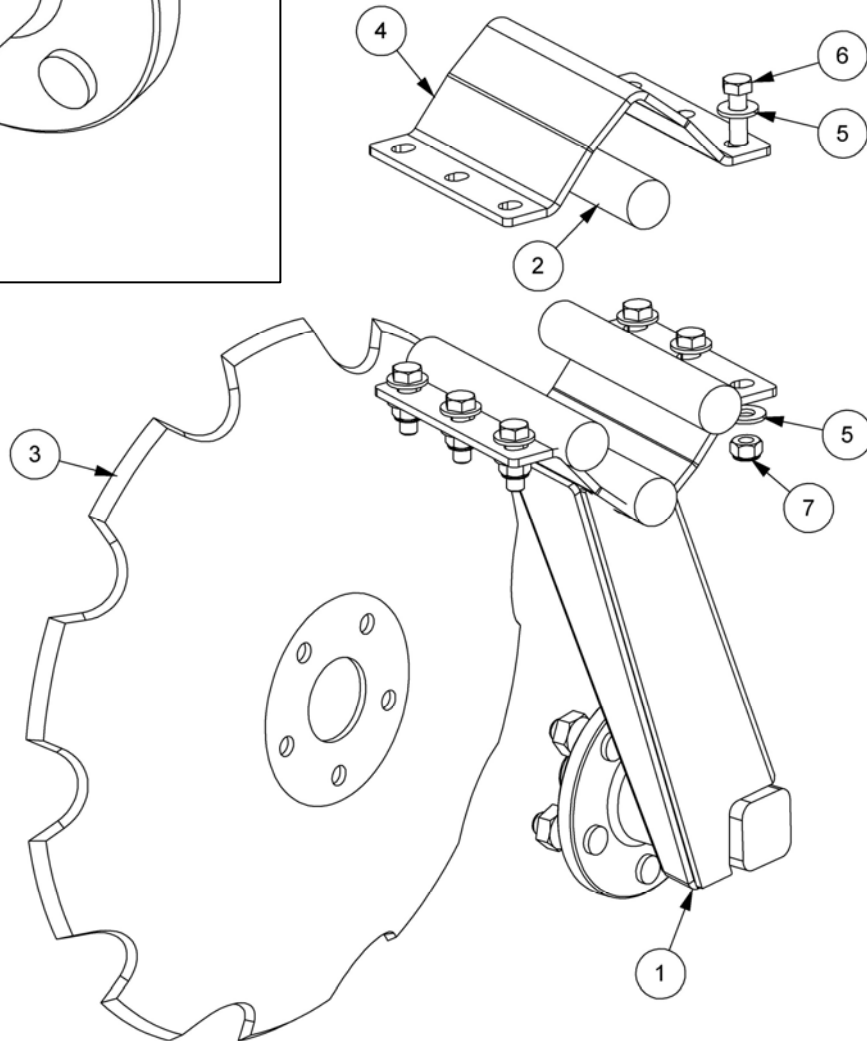
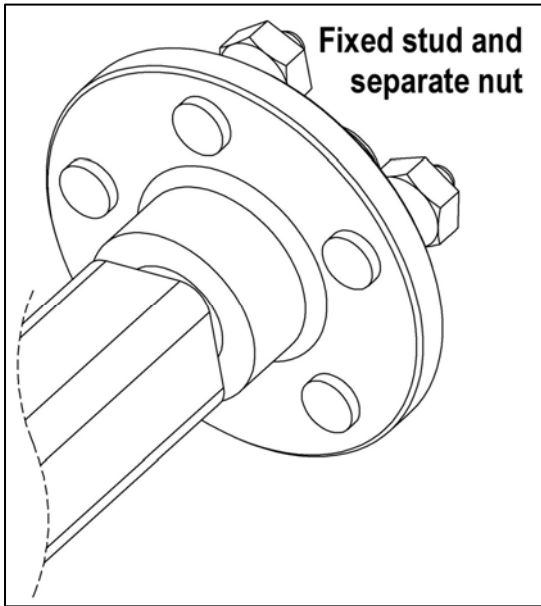


# SINGLE FRONT DISC ASSEMBLY (INNER)

**McCONEL**

Module(s): 22612.03 (Rev. A)

Machines manufactured prior to 07/09  
- for hub components refer to page 11



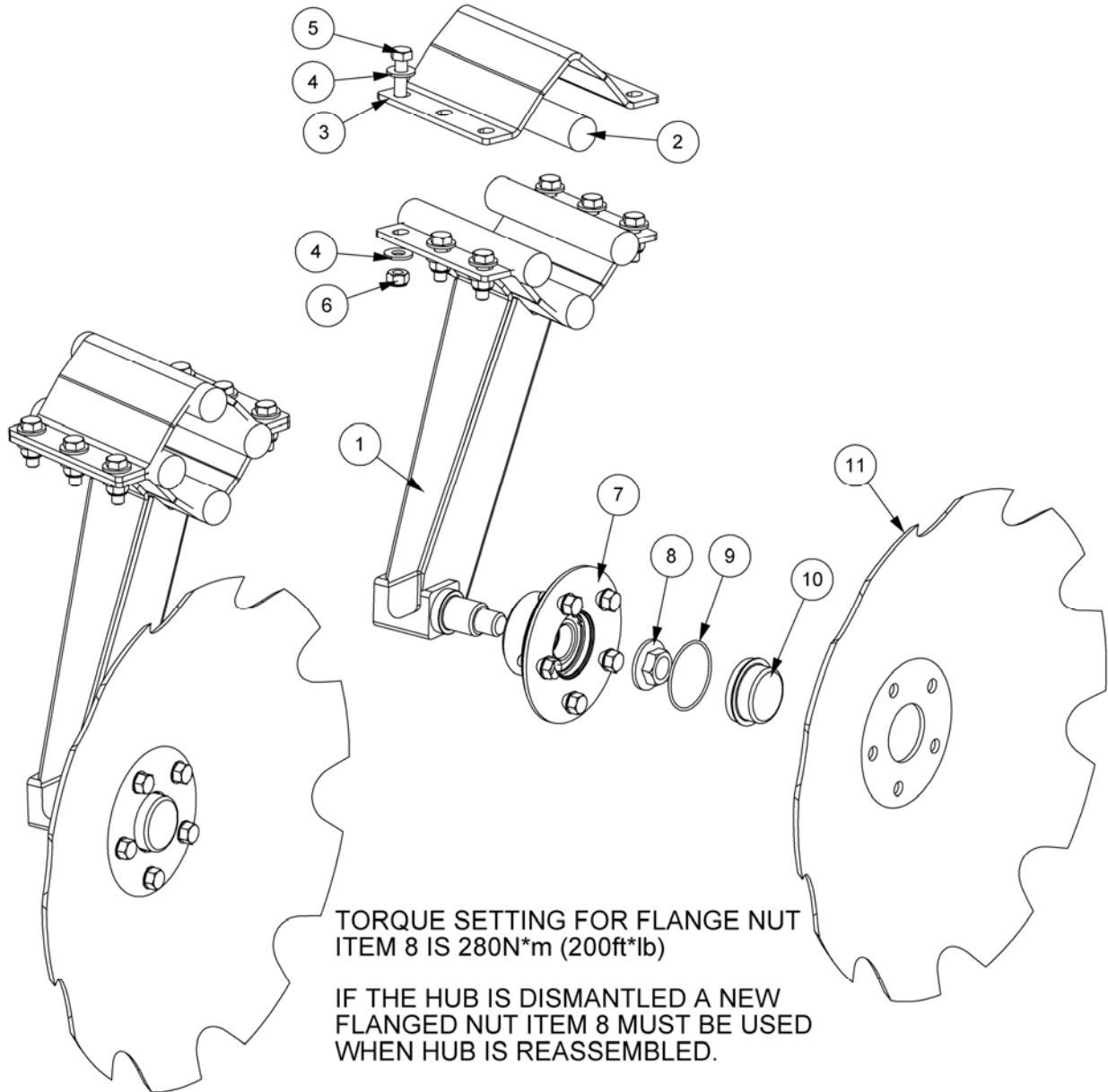
REF.	QTY.	PART No.	DESCRIPTION
		<b>22612.03</b>	<b>SINGLE INNER FRONT DISC ASSEMBLY</b>
1	1	22612.12	FRONT LEG & HUB (SINGLE INNER)
2	4	22546.39	RUBBER SHOCK ABSORBER
3	1	22546.11	CONCAVE SERRATED DISC
4	1	22546.60	DISC CLAMP
5	12	9100106	FLAT WASHER
6	6	9213086	BOLT
7	6	9163006	NYLOC NUT

# SINGLE FRONT DISC ASSEMBLY (INNER)

**McCONNEL**

Module(s): 22612.03 (Rev. D)

**Machines manufactured 07/09 onwards**  
**- for hub components refer to page 12**



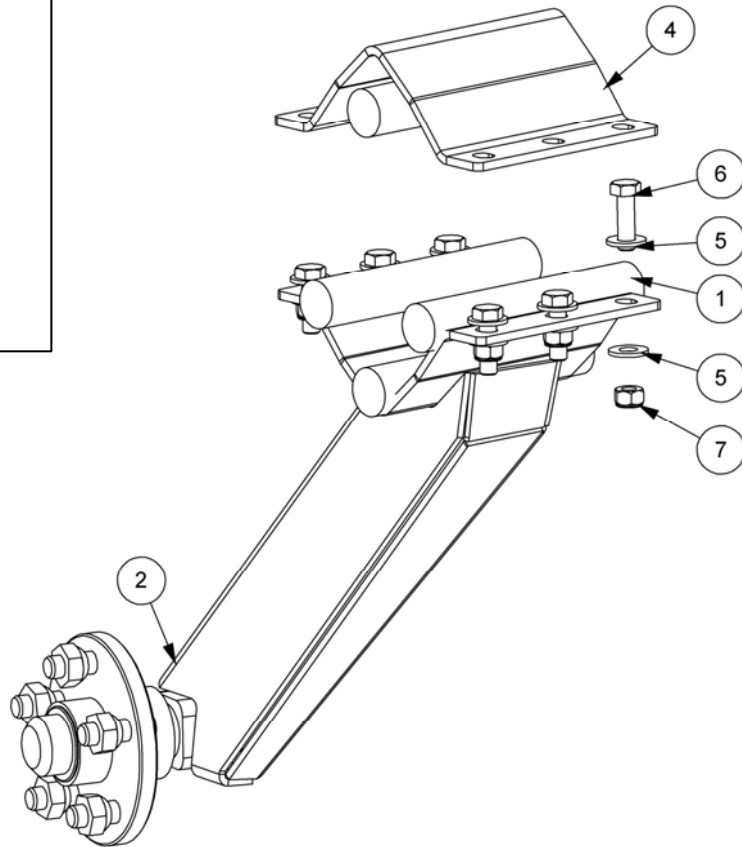
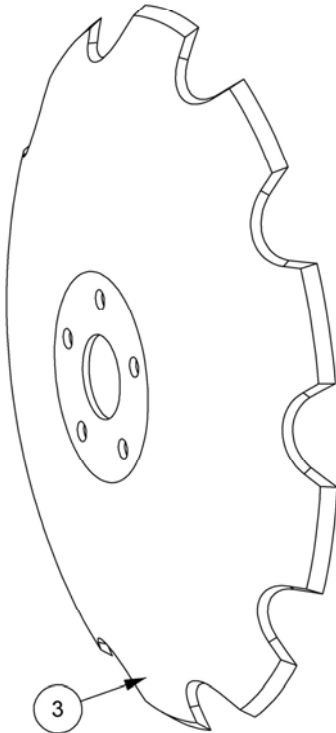
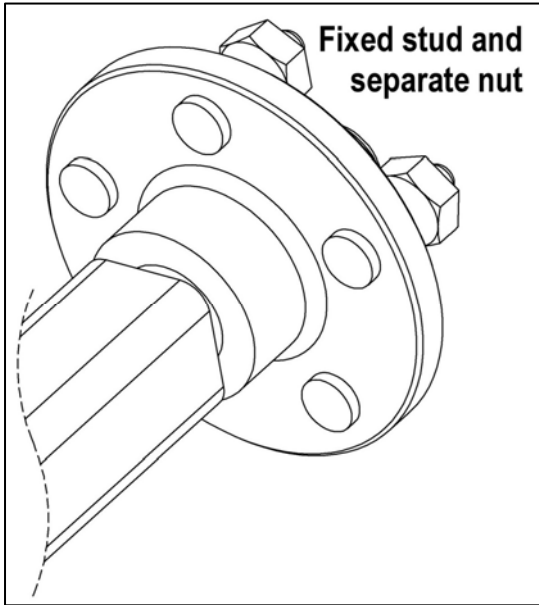
REF.	QTY.	PART No.	DESCRIPTION
		<b>22612.03</b>	<b>SINGLE INNER FRONT DISC ASSEMBLY</b>
1	1	22612.12	FRONT SINGLE DISC (INNER)
2	4	22546.39	RUBBER SHOCK ABSORBER
3	1	22546.60	DISC CLAMP
4	12	9100106	FLAT WASHER
5	6	9213086	BOLT
6	6	9163006	NYLOC NUT
7	1	22546.14	HUB ASSEMBLY C/W BEARING & SEALS
8	1	22546.66	FLANGE NUT
9	1	22546.69	O RING
10	1	22546.65	GREASE CAP
11	1	22546.11	CONCAVE SERRATED DISC

# SINGLE REAR DISC ASSEMBLY

**McCONNEL**

Module(s): 22612.04 (Rev. A)

Machines manufactured prior to 07/09  
- for hub components refer to page 11



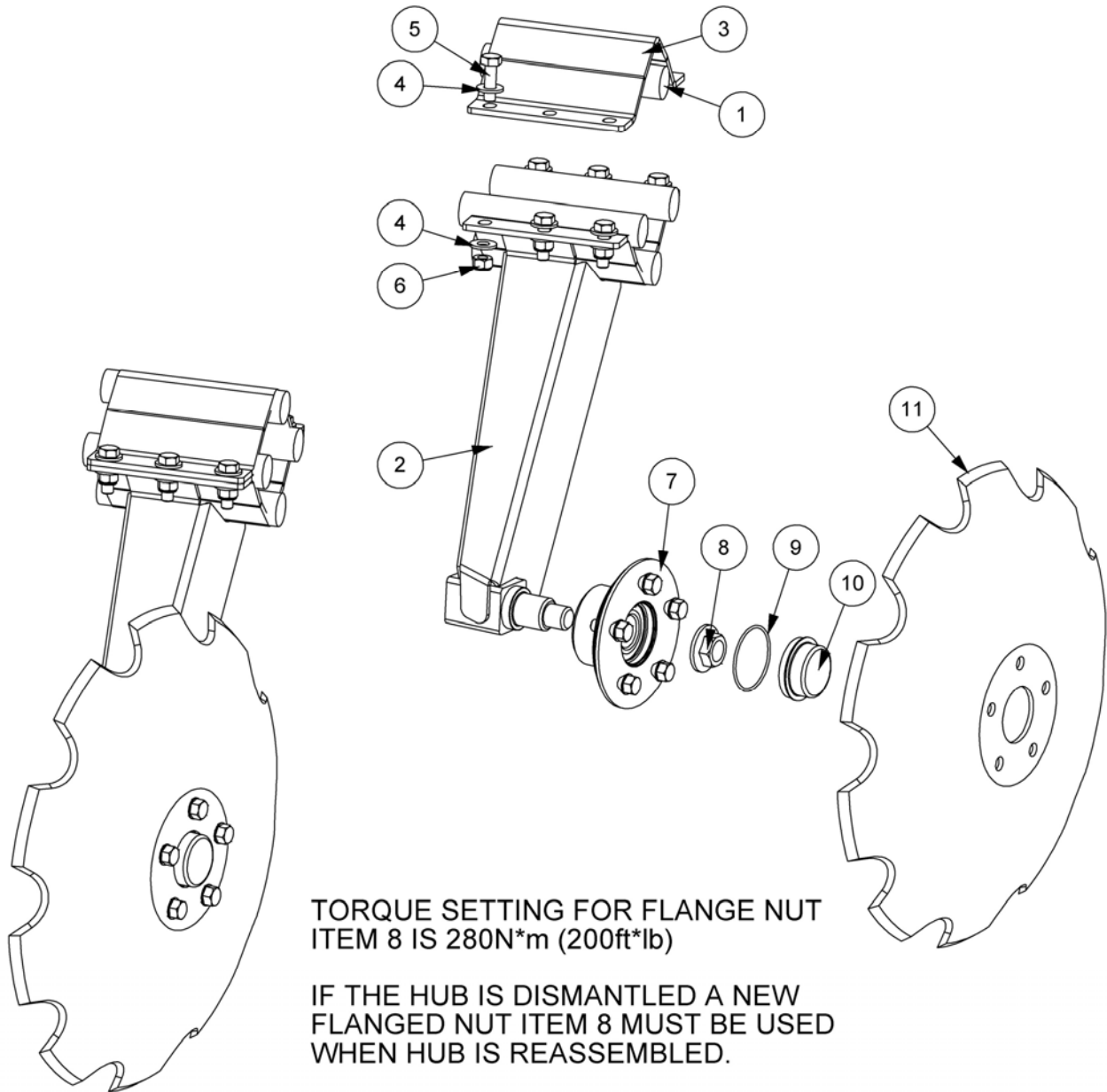
REF.	QTY.	PART No.	DESCRIPTION
		<b>22612.04</b>	<b>SINGLE REAR DISC ASSEMBLY</b>
1	4	22546.39	RUBBER SHOCK ABSORBER
2	1	22612.13	REAR LEG & HUB (SINGLE)
3	1	22546.11	CONCAVE SERRATED DISC
4	1	22546.60	DISC CLAMP
5	12	9100106	FLAT WASHER
6	6	9213086	BOLT
7	6	9163006	NYLOC NUT

# SINGLE REAR DISC ASSEMBLY

**McCONEL**

Module(s): 22612.04 (Rev. D)

**Machines manufactured 07/09 onwards**  
**- for hub components refer to page 12**



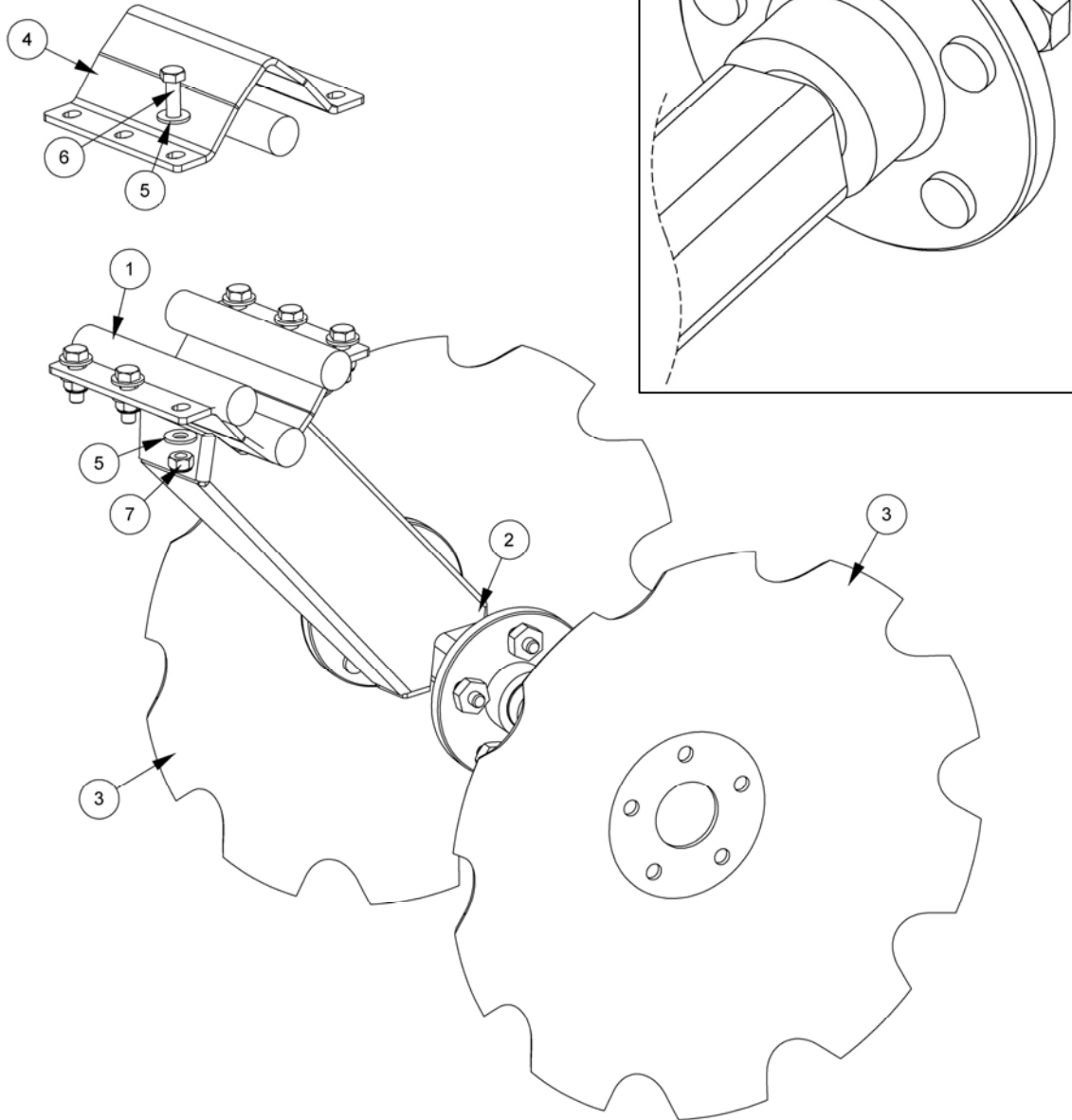
REF.	QTY.	PART No.	DESCRIPTION
		<b>22612.04</b>	<b>SINGLE REAR DISC ASSEMBLY</b>
1	4	22546.39	RUBBER SHOCK ABSORBER
2	1	22612.13	REAR SINGLE DISC
3	1	22546.60	DISC CLAMP
4	12	9100106	FLAT WASHER
5	6	9213086	BOLT
6	6	9163006	NYLOC NUT
7	1	22546.14	HUB ASSEMBLY C/W BEARING & SEALS
8	1	22546.66	FLANGE NUT
9	1	22546.69	O RING
10	1	22546.65	GREASE CAP
11	1	22546.11	CONCAVE SERRATED DISC

# DOUBLE REAR DISC ASSEMBLY

**McCONNEL**

Module(s): 22612.01 (Rev. A)

**Machines manufactured prior to 07/09**  
**- for hub components refer to page 11**

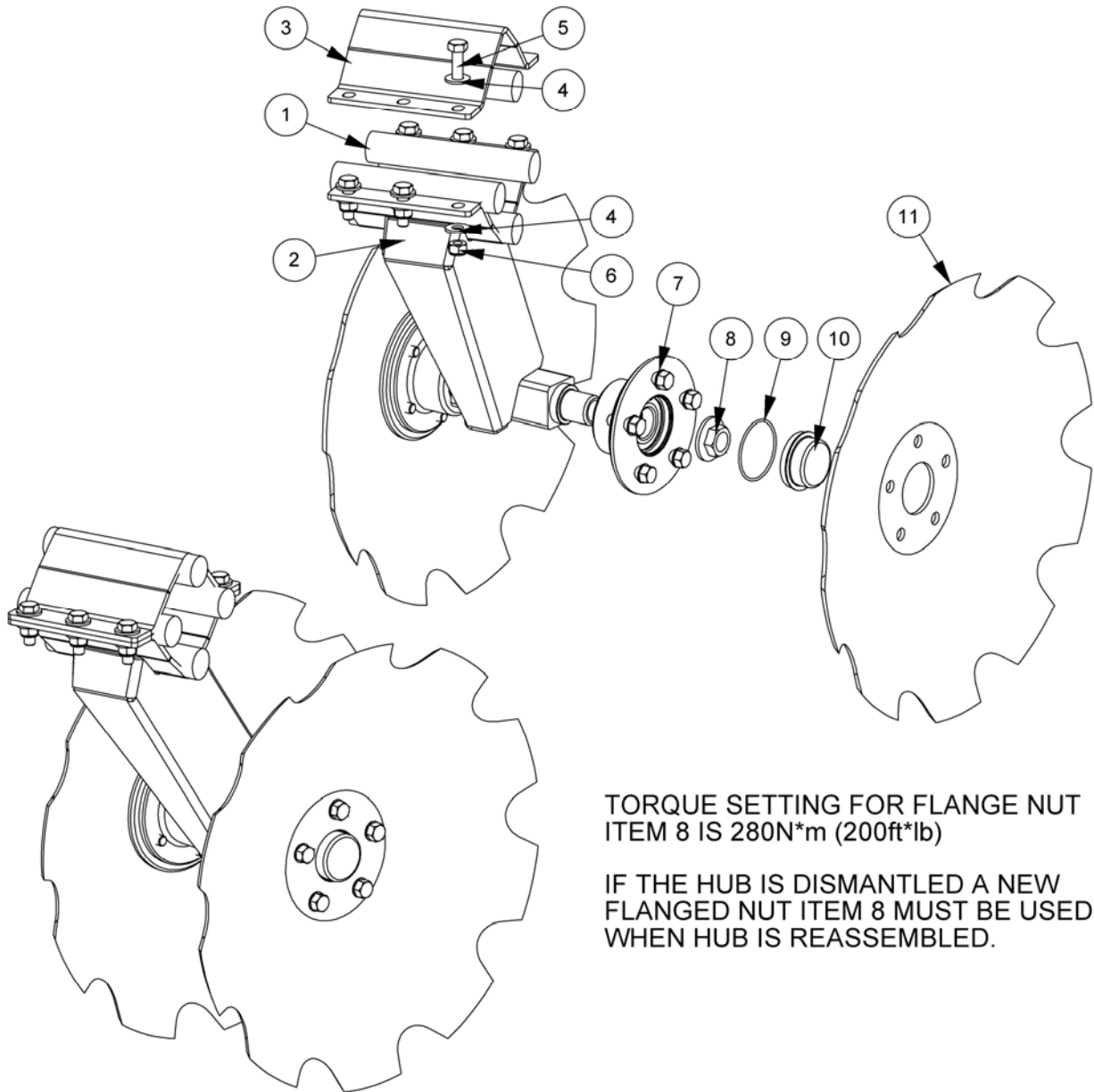


REF.	QTY.	PART No.	DESCRIPTION
		<b>22612.01</b>	<b>DOUBLE REAR DISC ASSEMBLY</b>
1	4	22546.39	RUBBER SHOCK ABSORBER
2	1	22612.10	REAR LEG & HUB (DOUBLE)
3	2	22546.11	CONCAVE SERRATED DISC
4	1	22546.60	DISC CLAMP
5	12	9100106	FLAT WASHER
6	6	9213086	BOLT
7	6	9163006	NYLOC NUT

# DOUBLE REAR DISC ASSEMBLY

**McCONNEL**

Module(s): 22612.01 (Rev. D)



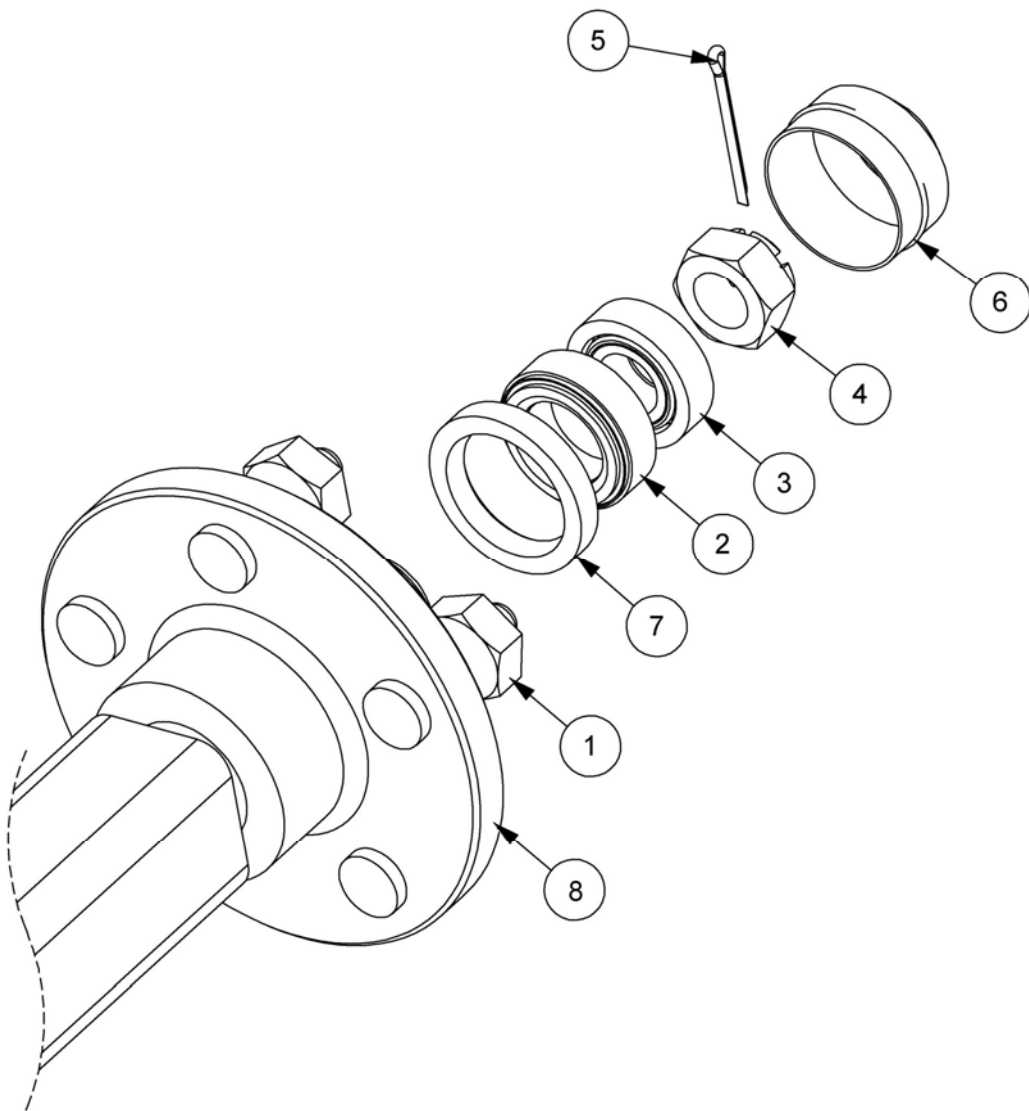
TORQUE SETTING FOR FLANGE NUT  
ITEM 8 IS 280N\*m (200ft\*lb)

IF THE HUB IS DISMANTLED A NEW  
FLANGED NUT ITEM 8 MUST BE USED  
WHEN HUB IS REASSEMBLED.

REF.	QTY.	PART No.	DESCRIPTION
		<b>22612.01</b>	<b>DOUBLE REAR DISC ASSEMBLY</b>
1	4	22546.39	RUBBER SHOCK ABSORBER
2	1	22612.10	REAR DISC (DOUBLE)
3	1	22546.60	DISC CLAMP
4	12	9100106	FLAT WASHER
5	6	9213086	BOLT
6	6	9163006	NYLOC NUT
7	2	22546.14	HUB ASSEMBLY C/W BEARING & SEALS
8	2	22546.66	FLANGE NUT
9	2	22546.69	O RING
10	2	22546.65	GREASE CAP
11	2	22546.11	CONCAVE SERRATED DISC

Module(s): Sub-components of: 22612.10, 22612.11, 22612.12, 22612.13

**Hub type fitted to machines manufactured prior to 07/09**  
 – identifiable by fixed stud and separate nut (item #1)

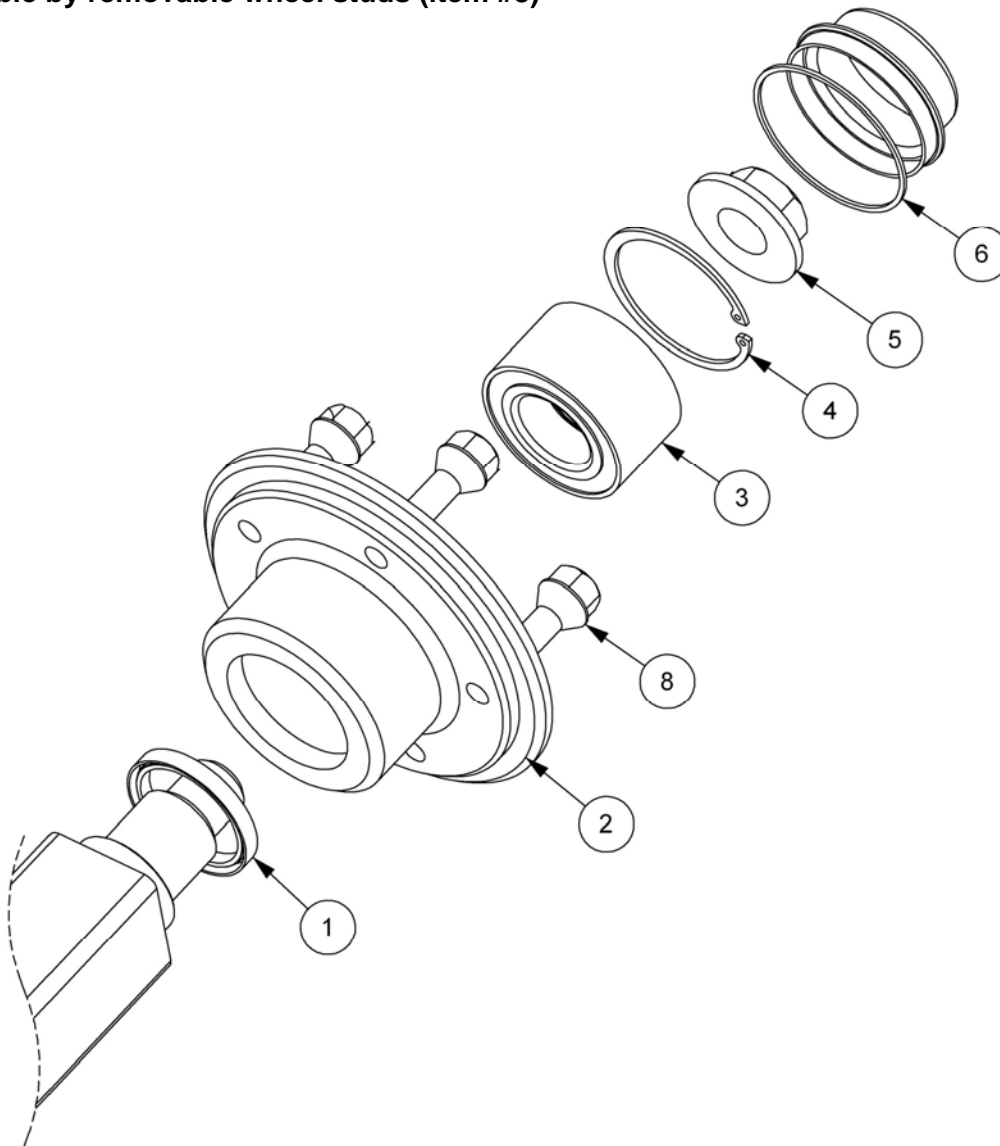


REF.	QTY.	PART No.	DESCRIPTION
		<b>22612.10</b>	<b>REAR LEG &amp; HUB (DOUBLE)</b>
		<b>22612.11</b>	<b>FRONT LEG &amp; HUB (SINGLE OUTER)</b>
		<b>22612.12</b>	<b>FRONT LEG &amp; HUB (SINGLE INNER)</b>
		<b>22612.13</b>	<b>REAR LEG &amp; HUB (SINGLE)</b>
1	5	1048077	WHEEL NUT
2	1	0603235	TAPER BEARING
3	1	0603236	TAPER BEARING
4	1	9173008	CASTLE NUT
5	1	9501405	SPLIT PIN
6	1	22546.68	HUB CAP
7	1	8629263	ROTARY SHAFT SEAL
8	1	22546.70	AXLE HUB

**NOTE: Quantities stated are per individual hub.**

Module(s): Sub-components of: 22612.10, 22612.11, 22612.12, 22612.13

**Hub type fitted to machines manufactured 07/09 onwards**  
 – identifiable by removable wheel studs (item #8)



REF.	QTY.	PART No.	DESCRIPTION
		<b>22612.10</b>	<b>REAR LEG &amp; HUB (DOUBLE)</b>
		<b>22612.11</b>	<b>FRONT LEG &amp; HUB (SINGLE OUTER)</b>
		<b>22612.12</b>	<b>FRONT LEG &amp; HUB (SINGLE INNER)</b>
		<b>22612.13</b>	<b>REAR LEG &amp; HUB (SINGLE)</b>
1	1	8629261	SEAL
2	1	22546.64	HUB
3	1	0603234	DOUBLE SEALED BEARING
4	1	0411262	INTERNAL CIRCLIP
5	1	22546.66	FLANGE NUT
6	1	8600429	ANTI EXTRUSION RING
7	1	22546.65	GREASE CAP
8	5	22546.67	WHEEL STUD

**NOTE: Quantities stated are per individual hub.**



# BREAKBACK LEG ASSEMBLIES (MECHANICAL)

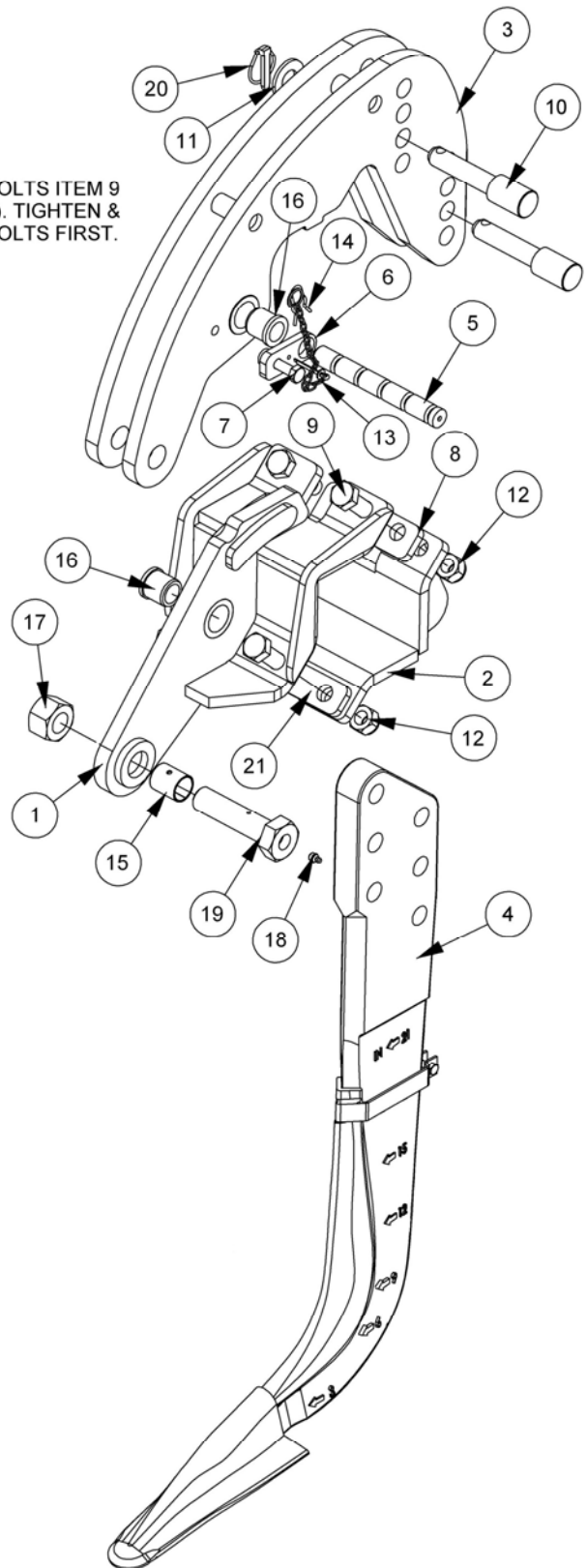
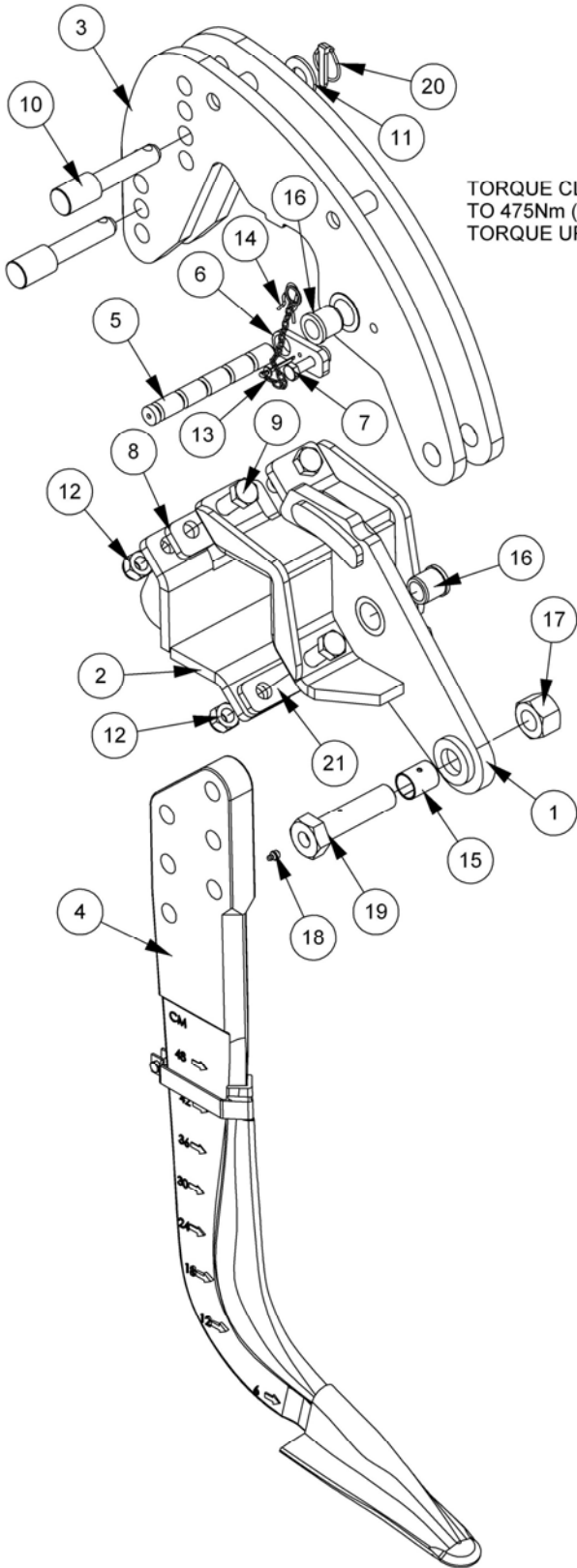
# McCONEL

Module(s): 1068701, 1068702

Serial No. M1021696

1068701 (Left Handed Leg)

1068702 (Right Handed Leg)



TORQUE CLAMP BOLTS ITEM 9 TO 475Nm (352lb-ft). TIGHTEN & TORQUE UPPER BOLTS FIRST.

*NOTE: Left & Right Handed does not refer to the particular side of the machine that the leg is fitted - it refers to the insertion direction of the replaceable shearbar when the leg is attached to the machine and the assembly is viewed from the rear.*

**BREAKBACK LEG ASSEMBLIES (MECHANICAL)**

**McCONNEL**

Module(s): 1068701, 1068702

▶ Serial No. M1021696

REF.	QTY.	PART No.	DESCRIPTION
		<b>1068701</b>	<b>LH BREAKBACK LEG (MECHANICAL)</b>
		<b>1068702</b>	<b>RH BREAKBACK LEG (MECHANICAL)</b>
1	1	22520.03	CLAMP HEAD BRACKET - L/H (Assembly 1068701)
	1	22520.07	CLAMP HEAD BRACKET - R/H (Assembly 1068702)
2	1	22520.02	BOTTOM CLAMP
3	1	22520.04	BREAKBACK PLATES - L/H (Assembly 1068701)
	1	22520.05	BREAKBACK PLATES - R/H (Assembly 1068702)
4	1	1065797	30" LEG c/w SLIPPER POINT & SHIN
	1	43085.03	SHEARBOLT SHANK (LEG)
	1	1065921	SLIPPER POINT
	1	1065782	24" EUROSHIN ASSEMBLY - c/w:
	1	1065248	SHIN CLAMP
	1	9313064	BOLT
	1	9143004	NUT
5	1	22520.54	SHEAR BAR
6	1	22520.06	SHEAR BAR SPACER
7	1	9213106	BOLT
8	2	22520.55	CLAMP SPACER
9	4	9200053	BOLT
10	2	22520.70	LEG PIN
11	2	9100109	FLAT WASHER
12	4	9163008	NYLOC NUT
13	1	03.255.05	CHAIN & RING ASSEMBLY
14	1	22520.59	SPRING SHAFT CLIP
15	1	42654.08	BUSH
16	2	22889.01	HEADED BUSH
17	1	9100023	SELF-LOCKING NUT
18	1	0901121	GREASE NIPPLE
19	1	22520.68	SPECIAL BOLT
20	2	0431217	LINCH PIN
21	1	22520.72	CLAMP SPACER (DOUBLE)

**NOTE: L/H & R/H assemblies comprise of identical components with the exception of items 1 & 3 which are handed components.**

# BREAKBACK LEG ASSEMBLIES (MECHANICAL)

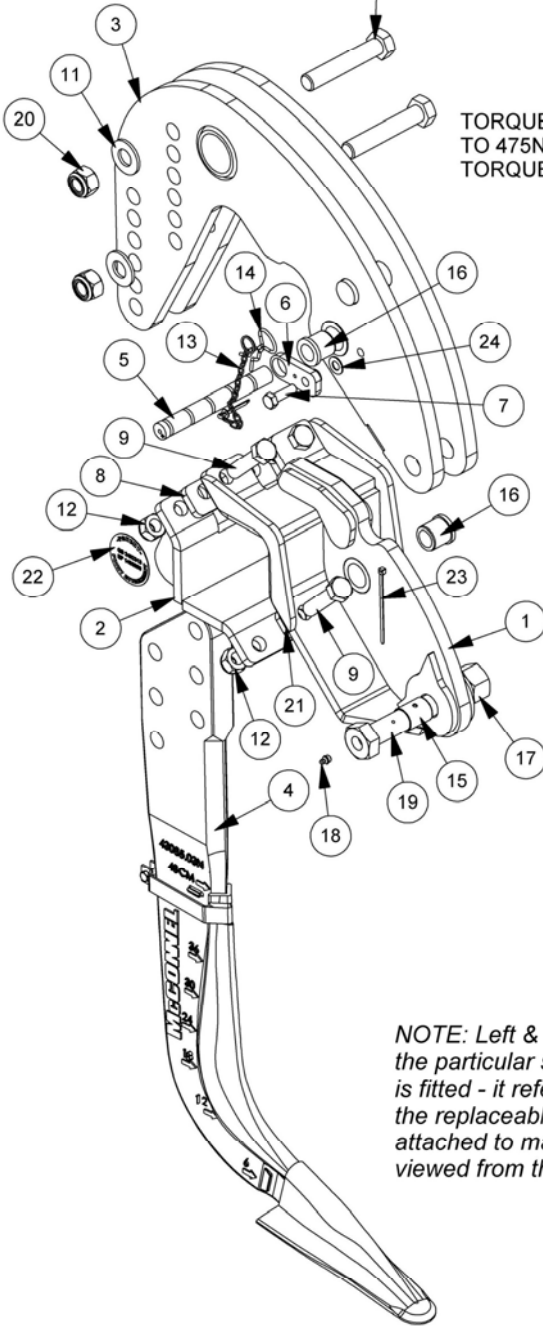
# McCONEL

Module(s): 1064728, 1064729

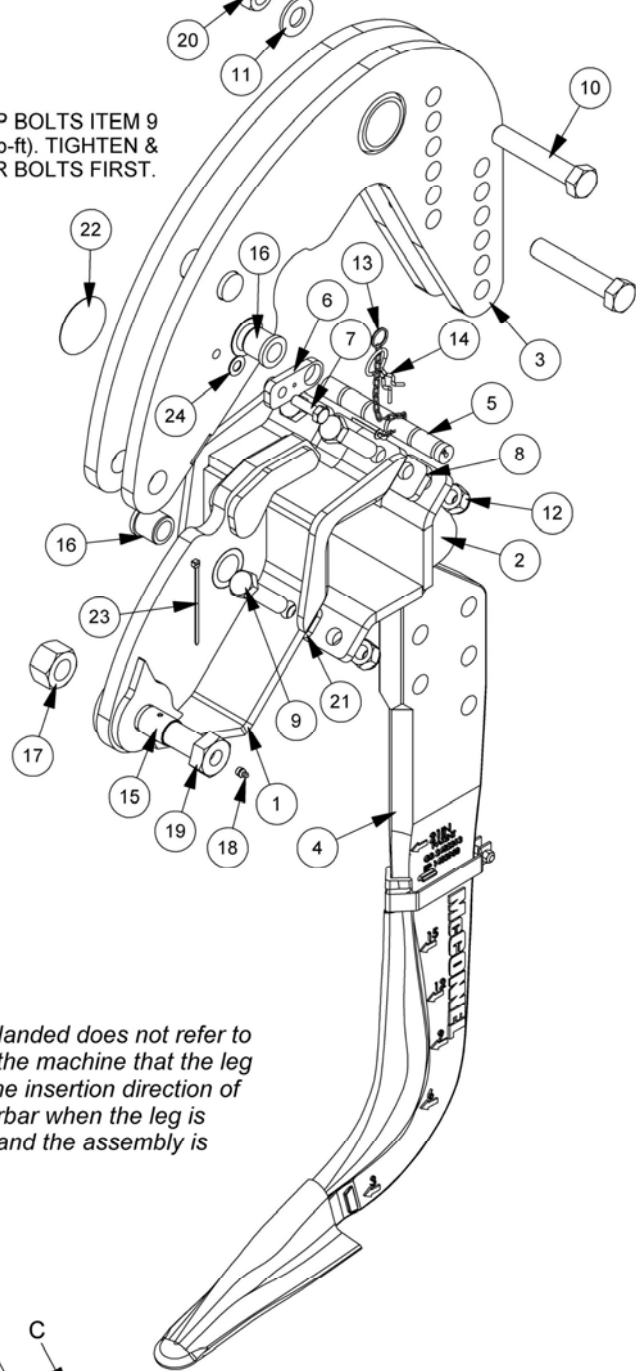
Serial No. M1021697 ▶

1064728 (Left Handed Leg)

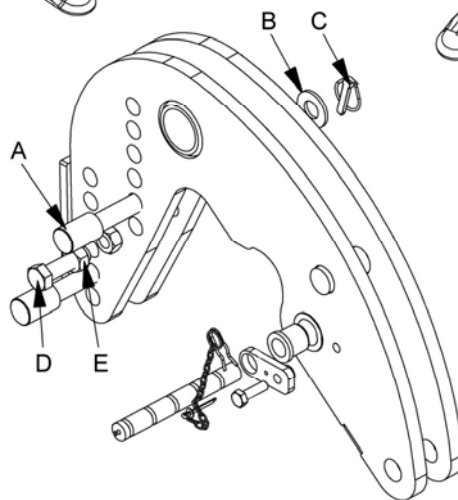
1064729 (Right Handed Leg)



TORQUE CLAMP BOLTS ITEM 9 TO 475Nm (352lb-ft). TIGHTEN & TORQUE UPPER BOLTS FIRST.



*NOTE: Left & Right Handed does not refer to the particular side of the machine that the leg is fitted - it refers to the insertion direction of the replaceable shearbar when the leg is attached to machine and the assembly is viewed from the rear.*



**NOTE:** Initial builds of the leg assemblies 1064728 & 1064729 used parts A - E listed below and illustrated opposite; these have now been replaced by items # 10, 11 & 20 as shown above.

- A. LEG PIN: 22520.70 (x2)
- B. WASHER: 9100109 (x2)
- C. LINCH PIN: 0431217 (x2)
- D. SETSCREW: 9313148 (x1)
- E. NUT: 9113008 (x1)

## BREAKBACK LEG ASSEMBLIES (MECHANICAL)

**McCONNEL**

Module(s): 1064728, 1064729

Serial No. M1021697 ►

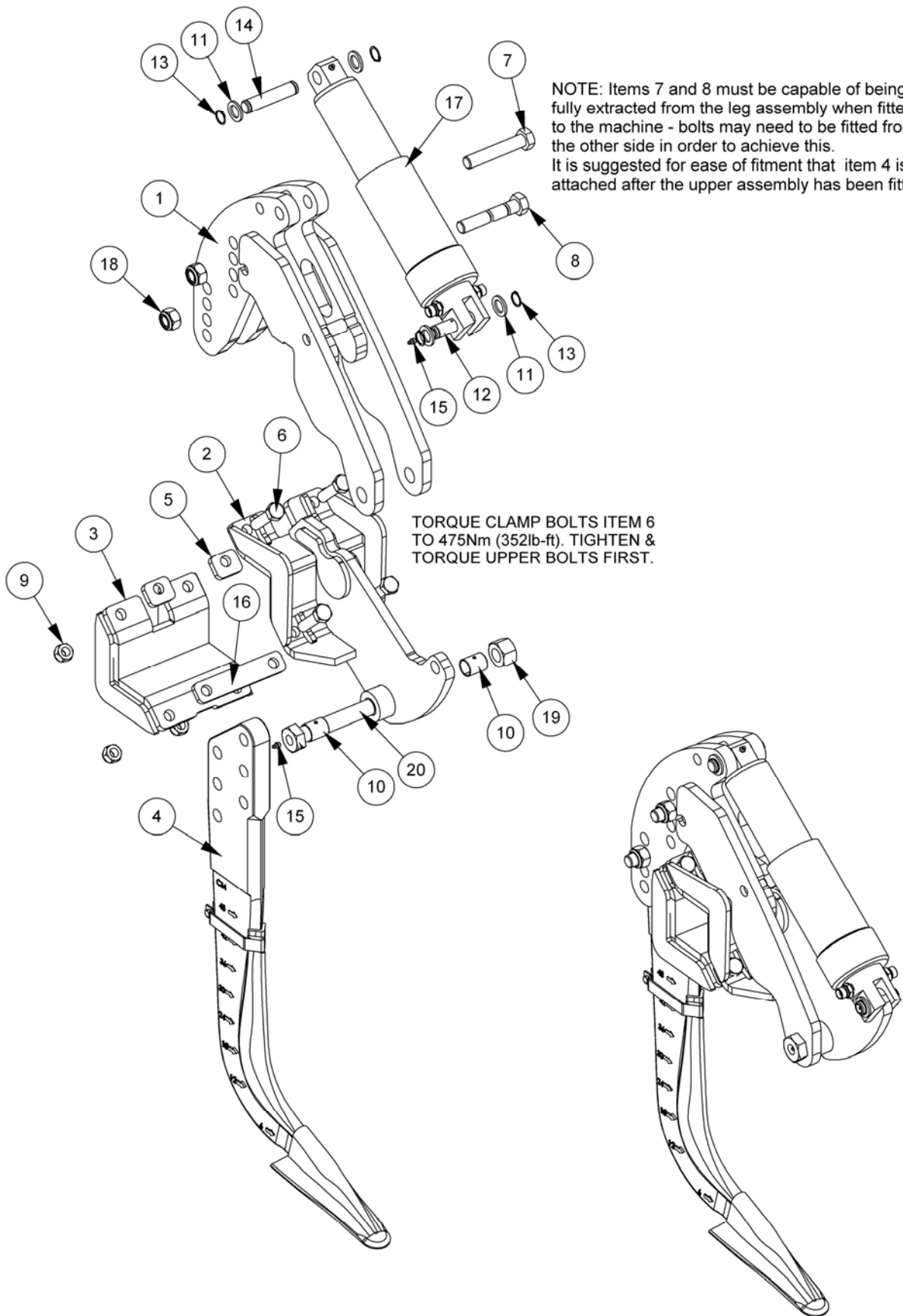
REF.	QTY.	PART No.	DESCRIPTION
		<b>1064728</b>	<b>LH BREAKBACK LEG (MECHANICAL)</b>
		<b>1064729</b>	<b>RH BREAKBACK LEG (MECHANICAL)</b>
1	1	22975.02	HEAD PIVOT BRACKET - L/H (Assembly 1064728)
	1	22975.05	HEAD PIVOT BRACKET - R/H (Assembly 1064729)
2	1	22520.02	BOTTOM CLAMP
3	1	22975.01	TOP PIVOT PLATE - L/H (Assembly 1064728)
	1	22975.04	TOP PIVOT PLATE - R/H (Assembly 1064729)
4	1	1065797	30" LEG c/w SLIPPER POINT & SHIN - c/o:
	1	43085.03	SHEARBOLT SHANK (LEG)
	1	1065921	SLIPPER POINT
	1	1065782	24" EUROSHIN ASSEMBLY - c/w:
	1	1065248	SHIN CLAMP
	1	9313064	BOLT
	1	9143004	NUT
5	1	22520.75	SHEAR BAR
6	1	22975.03	SHEAR BAR SPACER
7	1	9213086	BOLT
8	2	22520.55	CLAMP SPACER
9	4	9200053	BOLT
10	2	9213269	BOLT
11	2	9100109	FLAT WASHER
12	4	9163008	NYLOC NUT
13	1	03.255.05	CHAIN/RING ASSEMBLY
14	1	22520.76	SPRING SHAFT CLIP
15	1	42654.08	BUSH
16	2	22889.01	HEADED BUSH
17	1	9100023	SELF-LOCKING NUT
18	1	0901121	GREASE NIPPLE
19	1	22520.68	SPECIAL BOLT
20	2	9163009	NYLOC NUT
21	1	22520.72	CLAMP SPACER (DOUBLE)
22	1	21365.03	PATENT DECAL
23	1	22342.01	CABLE TIE
24	1	0100605	WASHER (THIN)

**NOTE: L/H & R/H assemblies comprise of identical components with the exception of items 1 & 3 which are handed components.**

# HYDRAULIC BREAKBACK LEG ASSEMBLY

Module(s): 1068711

# McCONEL



NOTE: Items 7 and 8 must be capable of being fully extracted from the leg assembly when fitted to the machine - bolts may need to be fitted from the other side in order to achieve this. It is suggested for ease of fitment that item 4 is attached after the upper assembly has been fitted.

TORQUE CLAMP BOLTS ITEM 6 TO 475Nm (352lb-ft). TIGHTEN & TORQUE UPPER BOLTS FIRST.

HYDRAULIC BREAKBACK LEG ASSEMBLY

**McCONNEL**

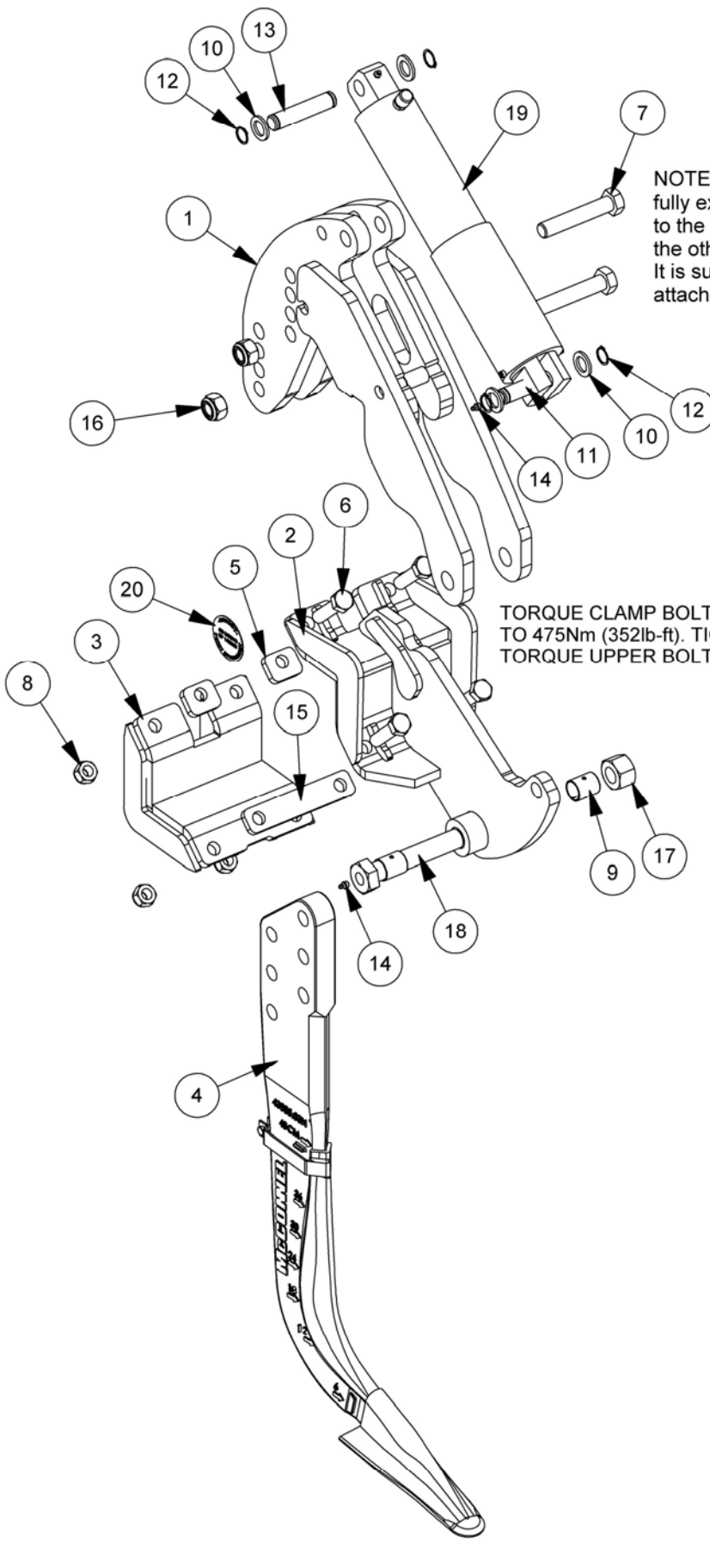
Module(s): 1068711

REF.	QTY.	PART No.	DESCRIPTION
		<b>1068711</b>	<b>HYDRAULIC BREAKBACK LEG</b>
1	1	22665.01	BREAKBACK PLATES
2	1	22665.02	CLAMP HEAD BRACKET
3	1	22665.03	BOTTOM CLAMP
4	1	1065797	30" LEG c/w SLIPPER POINT & SHIN
	1	43085.03	SHEARBOLT SHANK (LEG)
	1	1065921	SLIPPER POINT
	1	1065782	24" EUROSHIN ASSEMBLY - c/w:
	1	1065248	SHIN CLAMP
	1	9313064	BOLT
	1	9143004	NUT
5	2	22520.55	CLAMP SPACER
6	4	9200053	BOLT
7	1	9213269	BOLT
8	1	22665.50	SHEAR BOLT
9	4	9163008	NYLOC NUT
10	2	42654.08	BUSH
11	4	22520.66	SPACER WASHER
12	1	22520.67	RAM PIN
13	4	0401116	EXTERNAL CIRCLIP
14	1	22665.45	RAM PIN
15	2	0901121	GREASE NIPPLE
16	1	22665.39	CLAMP PLATE SPACER (DOUBLE)
17	1	22602.03	DISPLACEMENT CYLINDER
18	2	9163009	NYLOC NUT
19	1	9100023	SELF-LOCKING NUT
20	1	22665.46	SPECIAL BOLT

# AUTO-RESET BREAKBACK LEG ASSEMBLY

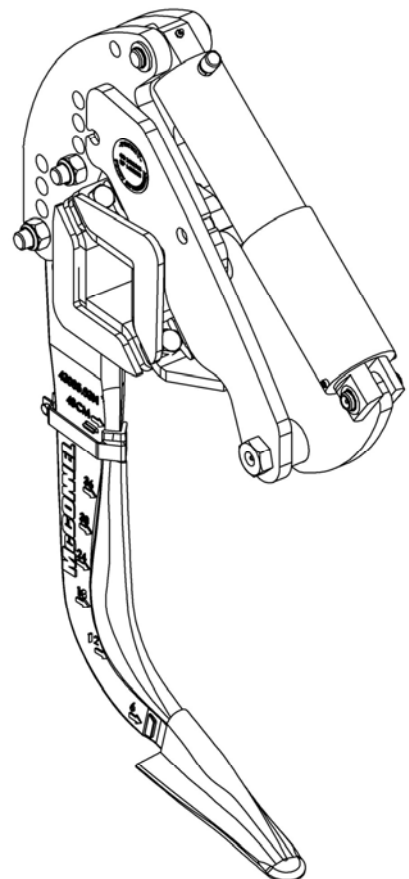
Module(s): 1068719

# McCONEL



NOTE: Items 7 and 8 must be capable of being fully extracted from the leg assembly when fitted to the machine - bolts may need to be fitted from the other side in order to achieve this. It is suggested for ease of fitment that item 4 is attached after the upper assembly has been fitted.

TORQUE CLAMP BOLTS ITEM 6 TO 475Nm (352lb-ft). TIGHTEN & TORQUE UPPER BOLTS FIRST.



**AUTO-RESET BREAKBACK LEG ASSEMBLY**



Module(s): 1068719

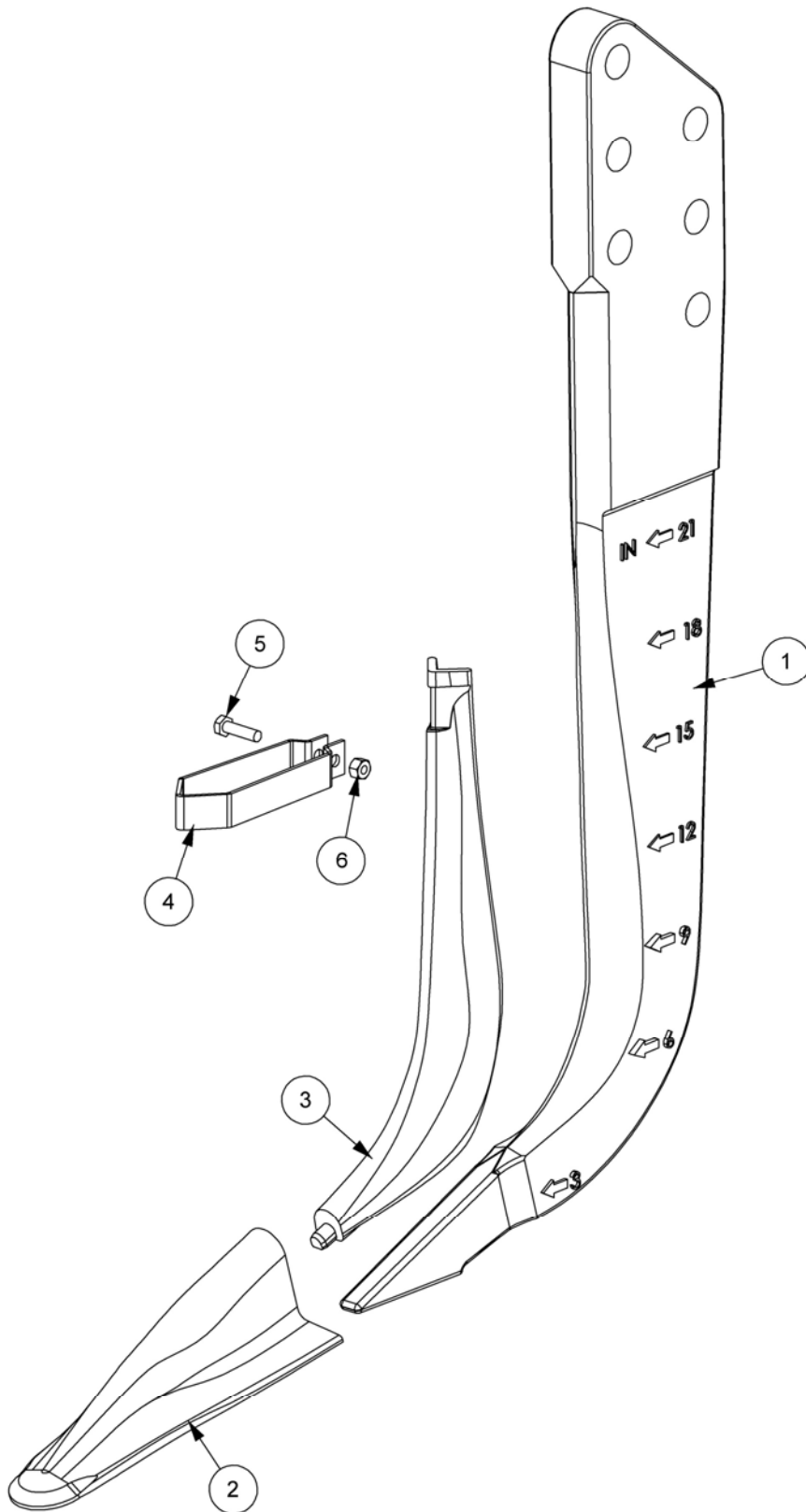
REF.	QTY.	PART No.	DESCRIPTION
		<b>1068719</b>	<b>AUTO-RESET LEG ASSEMBLY</b>
1	1	22665.01	BREAKBACK PLATES
2	1	22665.02	CLAMP HEAD BRACKET
3	1	22665.03	BOTTOM CLAMP
4	1	1065797	30" LEG c/w SLIPPER POINT & SHIN
	1	43085.03	SHEARBOLT SHANK (LEG)
	1	1065921	SLIPPER POINT
	1	1065782	24" EUROSIN ASSEMBLY - c/w:
	1	1065248	SHIN CLAMP
	1	9313064	BOLT
	1	9143004	NUT
5	2	22520.55	CLAMP SPACER
6	4	9200053	BOLT
7	2	9213269	BOLT
8	4	9163008	NYLOC NUT
9	2	42654.08	BUSH
10	4	22520.66	SPACER WASHER
11	1	22520.67	RAM PIN
12	4	0401116	CIRCLIP (EXTERNAL)
13	1	22665.45	RAM PIN
14	2	0901121	GREASE NIPPLE
15	1	22665.39	CLAMP PLATE SPACER (DOUBLE)
16	2	9163009	NYLOC NUT
17	1	9100023	SELF-LOCKING NUT
18	1	22665.46	SPECIAL BOLT
19	1	22819.01	GAS STRUT
20	1	21365.03	PATENT DECAL



# 30" SHANK ASSEMBLY

Module(s): 1065797

**McCONEL**

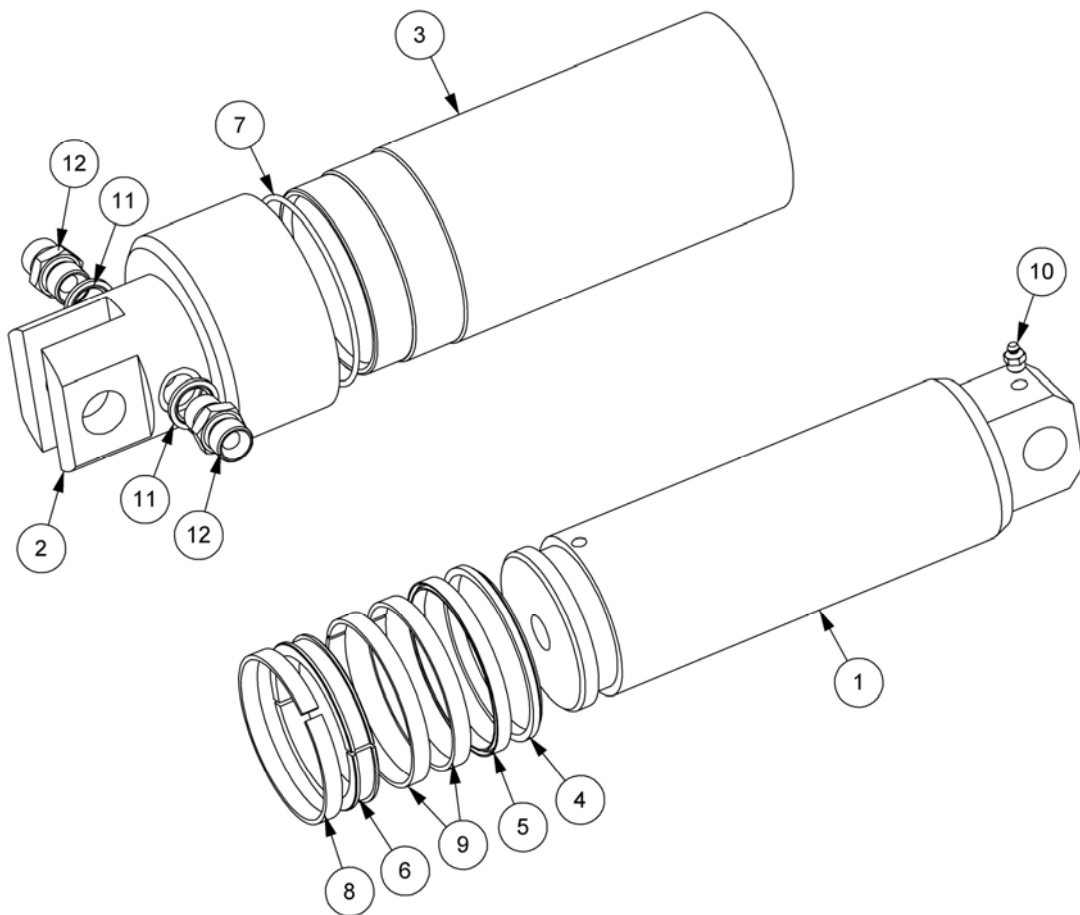


**30" SHANK ASSEMBLY****McCONNEL**

Module(s): 1065797

<b>REF.</b>	<b>QTY.</b>	<b>PART No.</b>	<b>DESCRIPTION</b>
		<b>1065797</b>	<b>30" LEG c/w SLIPPER POINT &amp; SHIN</b>
1	1	43085.03	SHEARBOLT SHANK (LEG)
2	1	1065921	SLIPPER POINT
3	1	1065782	24" EUROSHIN ASSEMBLY c/w:
4	1	1065248	SHIN CLAMP
5	1	9313064	BOLT
6	1	9143004	NUT

**Component part of Hydraulic Breakback Leg Assembly 1068711**

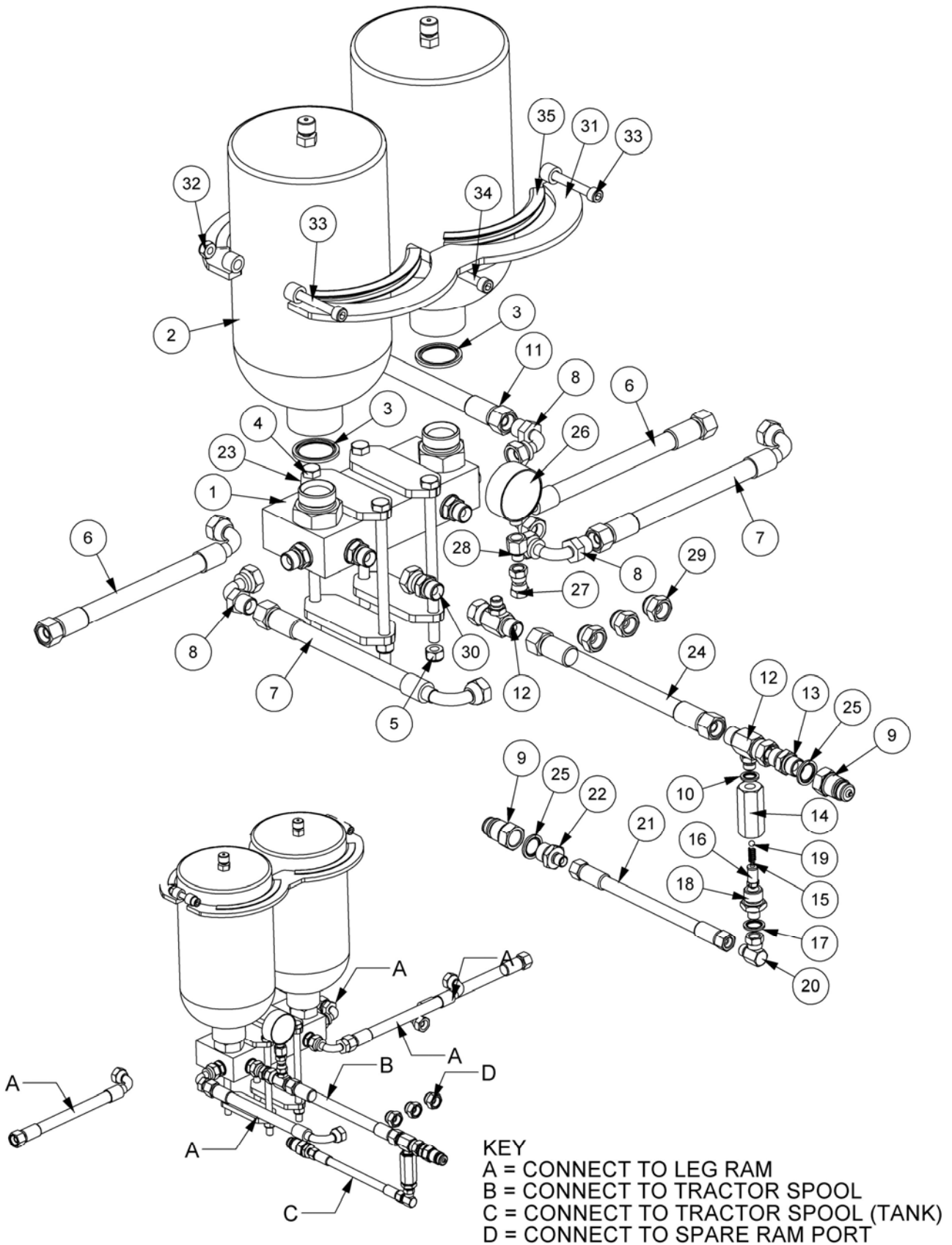


## 90MM DISPLACEMENT CYLINDER

**McCONNEL**

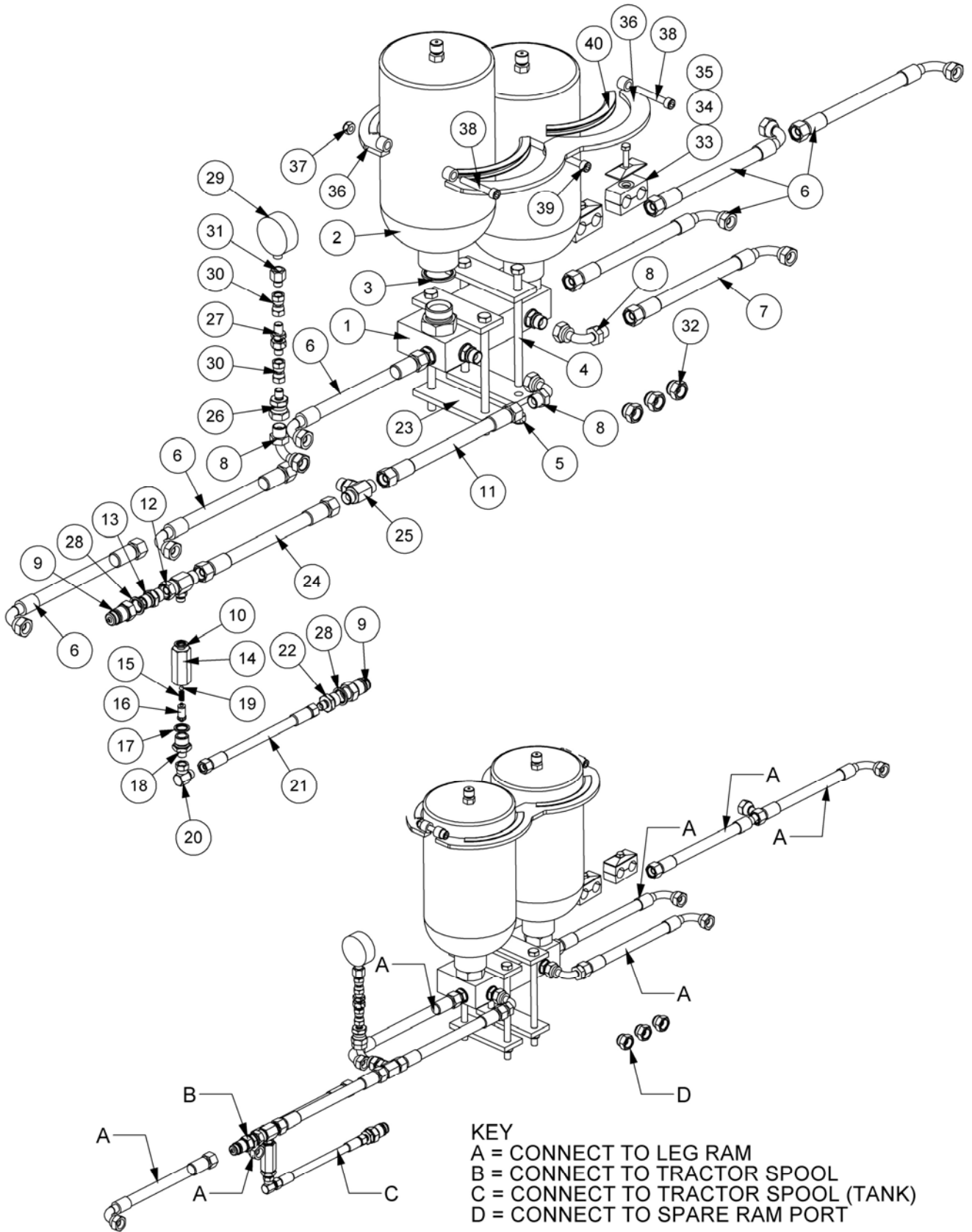
Module(s): 22602.03

REF.	QTY.	PART No.	DESCRIPTION
		<b>22602.03</b>	<b>DISPLACEMENT CYLINDER</b>
1	1	22603.37	CHROME ROD
2	1	22603.39	BLANK END
3	1	22603.38	OUTER TUBE
4	1	8629258	WIPER SEAL
5	1	8629257	ROD SEAL
6	1	8629259	PISTON HOUSING
7	1	8700746	O RING
8	1	8629256	BEARING RING
9	2	8629255	BEARING RING
10	1	0901121	GREASE NIPPLE
11	2	8650104	BONDED SEAL
12	2	8581110	ADAPTOR
		<b>8699275</b>	<b>SEAL KIT</b>



Module(s): 1068752

REF.	QTY.	PART No.	DESCRIPTION
		<b>1068752</b>	<b>HYDRAULIC INSTALLATION - 5 Leg Models</b>
1	1	22632.01	MANIFOLD ASSEMBLY
2	2	22541.08	HYDRACUSHION ACCUMULATOR
3	2	8650109	BONDED SEAL
4	4	05.292.30	BOLT
5	4	9163006	NYLOC NUT
6	2	10.006.21	HOSE - 1/2" BSP FS/F90 x 1100mm
7	2	10.006.16	HOSE - 1/2" BSP FS/F90 x 800mm
8	3	8581215	90° SWEPT ADAPTOR
9	2	8590074	QUICK RELEASE
10	1	8650102	BONDED SEAL
11	1	10.006.08	HOSE - 1/2" BSP FS/F90 x 400mm
12	2	04.056.25	ADAPTOR TEE
13	1	8581110	ADAPTOR
14	1	8130178	RELIEF VALVE HOUSING
15	1	8116011	SPRING
16	1	8130189	RELIEF VALVE (40BAR)
17	1	8650103	BONDED SEAL
18	1	8130083	ADAPTOR RELIEF BODY
19	1	0905108	STEEL BALL
20	1	8581190	ADAPTOR ELBOW 90°
21	1	10.001.10	HOSE - 1/4" BSP FS/FS x 500mm
22	1	8581172	ADAPTOR
23	4	22665.47	CLAMP PLATE
24	1	10.005.25	HOSE - 1/2" BSP FS/FS x 1500mm
25	2	8650104	BONDED SEAL
26	1	8004296	PRESURE GAUGE
27	1	T6943	SWIVEL ADAPTOR
28	1	8581560	GAUGE FISED
29	3	8582054	BLANKING CAP
30	1	270153	SWIVEL ADAPTOR
31	2	22763.01	ACCUMULATOR CLAMP
32	3	9163005	NYLOC NUT
33	2	9343135	CAPSCREW
34	1	9243245	CAPSCREW
35	4	22277.32	EDGING STRIP



Module(s): 1068753

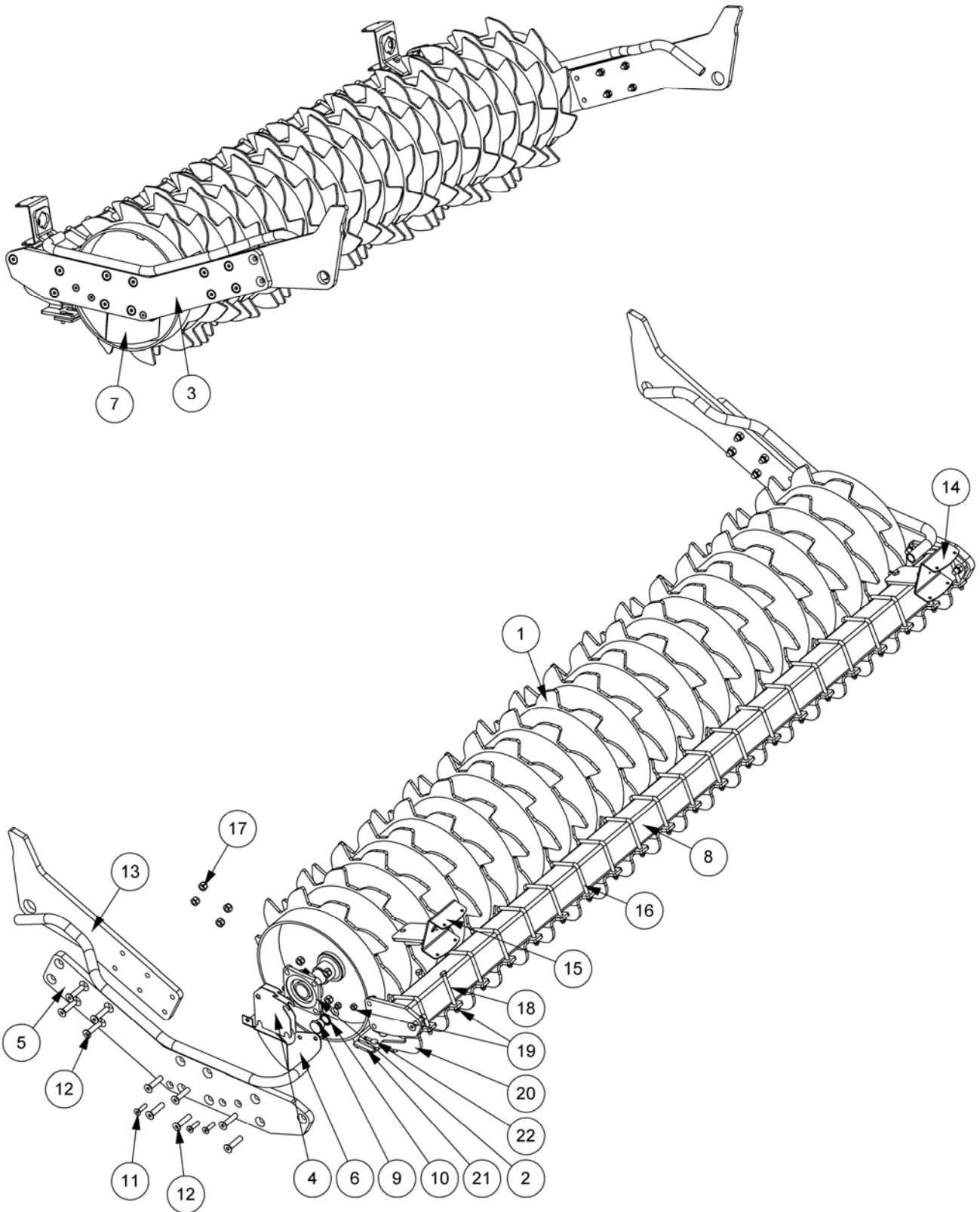
REF.	QTY.	PART No.	DESCRIPTION
		<b>1068753</b>	<b>HYDRAULIC INSTALLATION - 7 Leg Models</b>
1	1	22632.01	MANIFOLD ASSEMBLY
2	2	22541.08	HYDRACUSHION ACCUMULATOR
3	2	8650109	BONDED SEAL
4	4	05.292.30	BOLT
5	4	9163006	NYLOC NUT
6	6	10.006.18	HOSE - 1/2" BSP FS/F90 x 900mm
7	1	10.006.22	HOSE - 1/2" BSP FS/F90 x 1200mm
8	3	8581215	90° SWEPT ADAPTOR
9	2	8590074	QUICK RELEASE
10	1	8650102	BONDED SEAL
11	1	10.005.13	HOSE - 1/2" BSP FS/FS x 650mm
12	1	04.056.25	ADAPTOR TEE
13	1	8581110	ADAPTOR
14	1	8130178	RELIEF VALVE HOUSING
15	1	8116011	SPRING
16	1	8130189	RELIEF VALVE (40BAR)
17	1	8650103	BONDED SEAL
18	1	8130083	ADAPTOR RELIEF BODY
19	1	0905108	STEEL BALL
20	1	8581190	ADAPTOR ELBOW 90°
21	1	10.001.10	HOSE - 1/4" BSP FS/FS x 500mm
22	1	8581172	ADAPTOR
23	4	42073.01	CLAMP PLATE
24	1	10.005.25	HOSE - 1/2" BSP FS/FS x 1500mm
25	1	EYT0051	ADAPTOR
26	1	EYS0035	ADAPTOR
27	1	7105153	BULKHEAD ADAPTOR
28	2	8650104	BONDED SEAL
29	1	8004296	PRESURE GAUGE
30	2	T6943	SWIVEL ADAPTOR
31	1	8581560	GAUGE FISED
32	3	8582054	BLANKING CAP
33	2	22616.01	HOSE CLAMP (TWIN)
34	2	22616.02	HOSE COVER PLATE
35	2	9213094	BOLT
36	2	22763.01	ACCUMULATOR CLAMP
37	3	9163005	NYLOC NUT
38	2	9343135	CAPSCREW
39	1	9243245	CAPSCREW
40	4	22277.32	EDGING STRIP



STD. PACKER ROLLER ASSEMBLY (600mm)

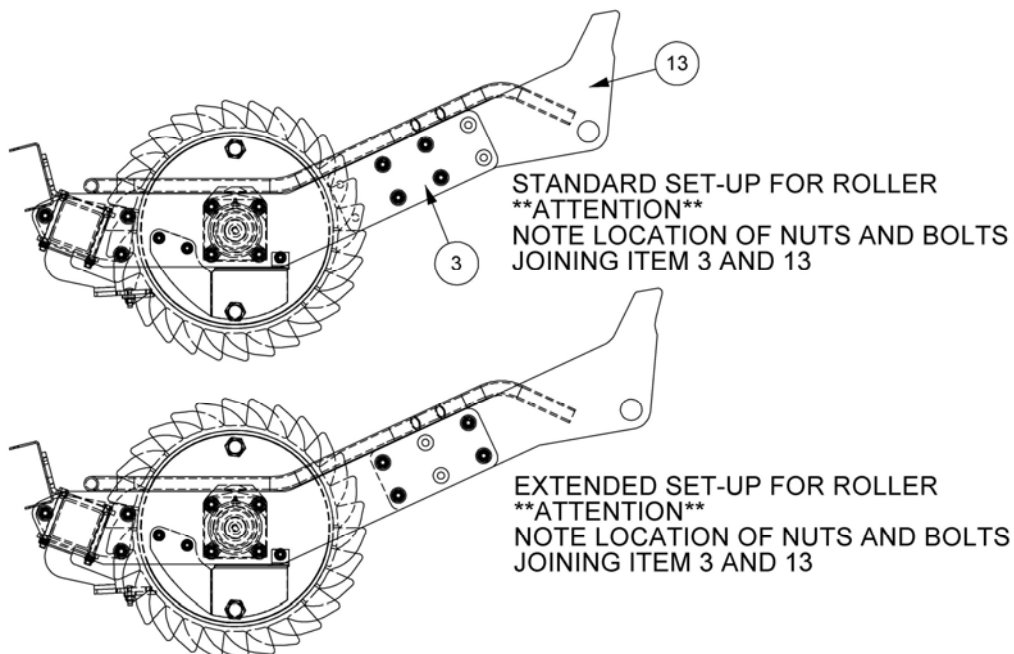
**McCONEL**

Module(s): 1064788



Module(s): 1064788

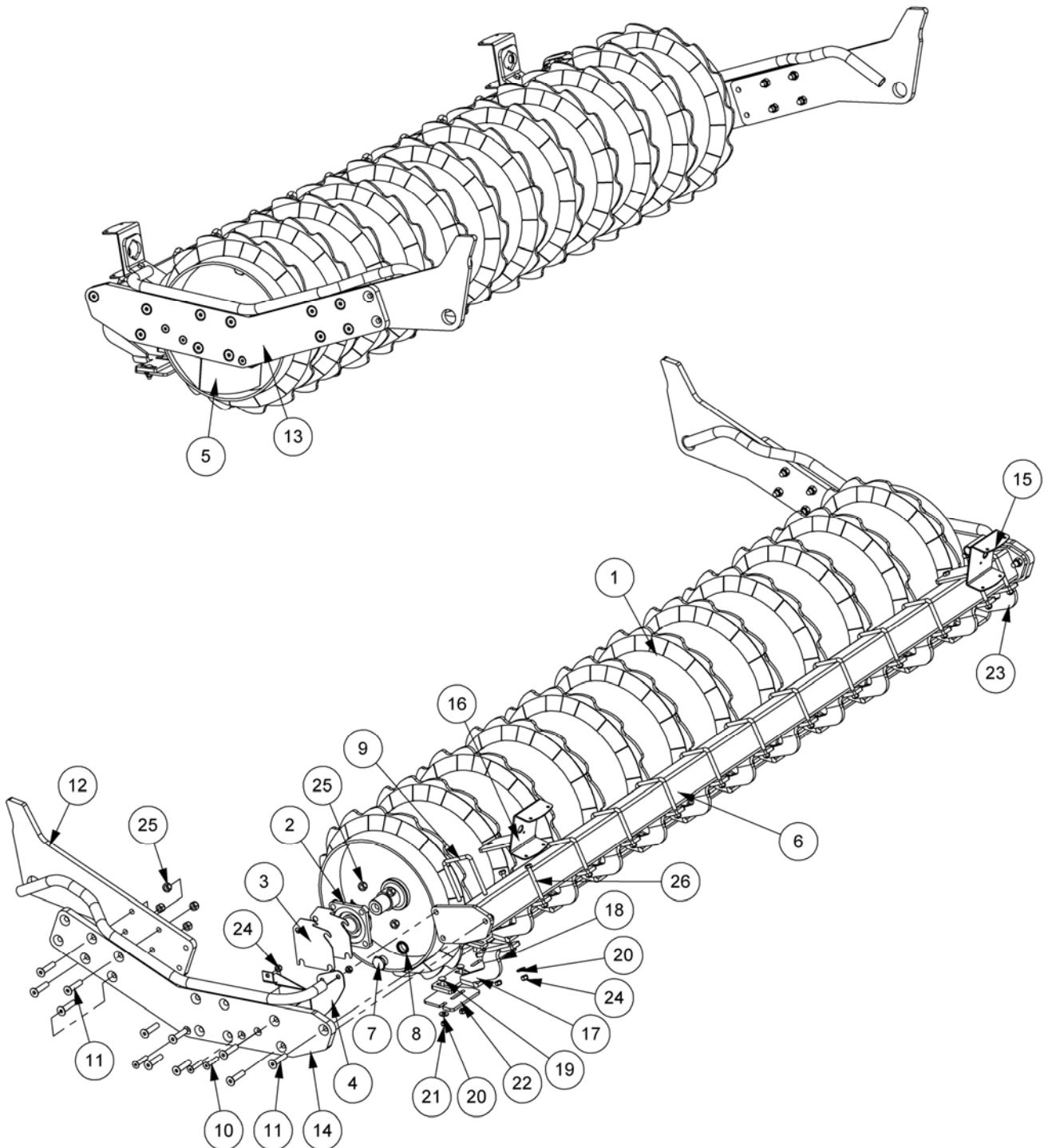
REF.	QTY.	PART No.	DESCRIPTION
		<b>1064788</b>	<b>STD. PACKER ROLLER ASSEMBLY</b>
1	1	22541.13	600MM STD. PACKER ROLLER
2	2	0600062	BEARING
3	1	22541.19	ATTACHMENT PLATE - L/H
4	4	21124.03	BEARING PACKER
5	1	22541.18	ATTACHMENT PLATE - R/H
6	1	21335.36	SCRAPER LH
7	1	21335.37	SCRAPER RH LIT
8	1	22541.07	SCRAPER BAR
9	2	8581159	BLANKING PLUG
10	2	8650108	BONDED SEAL
11	6	9353096	CAPSCREW
12	22	9353147	SETSCREW
13	2	22820.36	ROLLER ATTACHMENT PLATE
14	1	22541.12	LIGHT BRKT ASSEMBLY - L/H
15	1	22541.11	LIGHT BRKT ASSEMBLY - R/H
16	19	42072.08	U BOLT
17	22	9163007	NYLOC NUT
18	4	9213286	BOLT
19	48	9163006	NYLOC NUT
20	21	22826.01	ROLLER SCRAPER LEG
21	21	22826.31	SCRAPER BLADE
22	42	9293085	COACHBOLT
23	42	9100105	FLAT WASHER
24	42	9163005	NYLOC NUT



# RIDGE PACKER ROLLER ASSEMBLY (600mm)

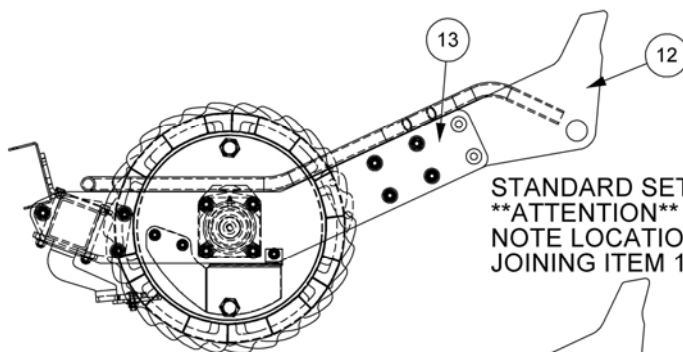
Module(s): 1064789

**McCONEL**

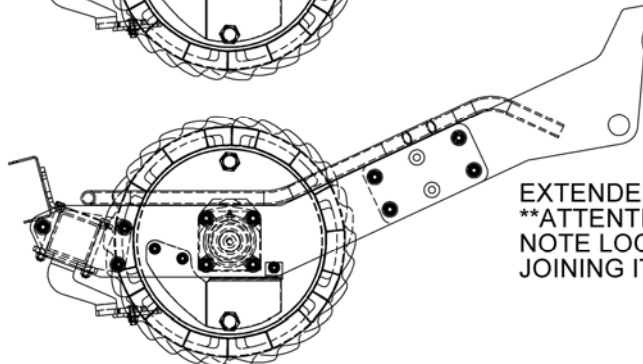


Module(s): 1064789

REF.	QTY.	PART No.	DESCRIPTION
		<b>1064789</b>	<b>RIDGE PACKER ROLLER ASSEMBLY</b>
1	1	22541.06	600MM ROLLER
2	2	0600062	BEARING
3	4	21124.03	BEARING PACKER
4	1	21335.36	SCRAPER - L/H
5	1	21335.37	SCRAPER - R/H
6	1	22541.07	SCRAPER BAR
7	2	8581159	BLANKING PLUG
8	2	8650108	BONDED SEAL
9	11	42072.08	U BOLT
10	6	9353126	CAPSCREW
11	22	9353147	SETSCREW
12	2	22820.36	ROLLER ATTACHMENT PLATE
13	1	22541.19	ATTACHMENT PLATE - L/H
14	1	22541.18	ATTACHMENT PLATE - R/H
15	1	22541.12	LIGHT BRACKET ASSEMBLY - L/H
16	1	22541.11	LIGHT BRACKET ASSEMBLY - R/H
17	12	22760.01	ROLLER SCRAPER LEG
18	11	22760.02	SCRAPER
19	26	9293085	COACHBOLT
20	52	9100106	FLAT WASHER
21	26	9163005	NYLOC NUT
22	2	22760.03	END SCRAPER
23	1	22760.04	ROLLER END SCRAPER LEG
24	32	9163006	NYLOC NUT
25	22	9163007	NYLOC NUT
26	4	9213286	BOLT



STANDARD SET-UP FOR ROLLER.  
**\*\*ATTENTION\*\***  
 NOTE LOCATION OF NUTS AND BOLTS  
 JOINING ITEM 12 AND 13.

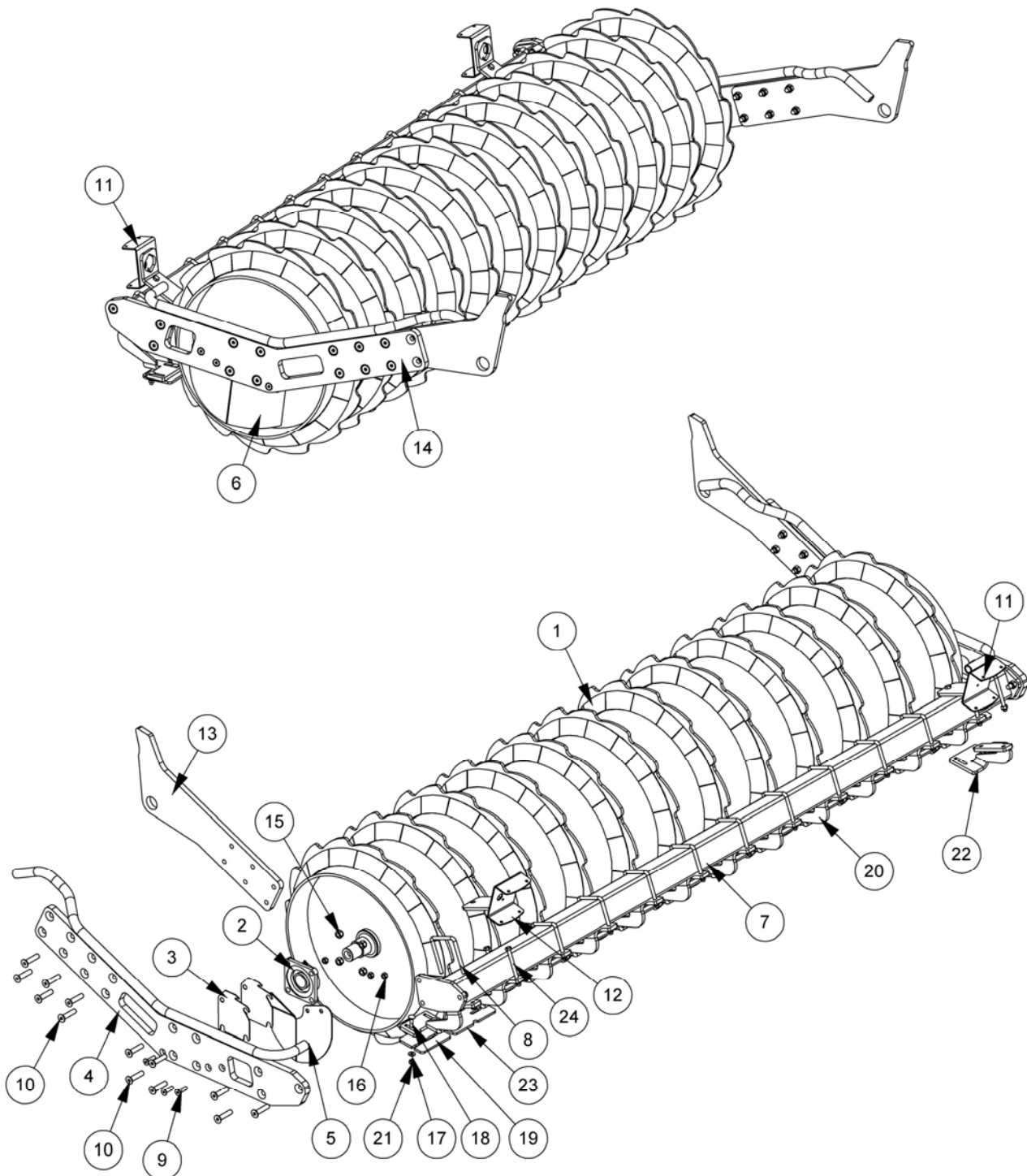


EXTENDED SET-UP FOR ROLLER.  
**\*\*ATTENTION\*\***  
 NOTE LOCATION OF NUTS AND BOLTS  
 JOINING ITEM 12 AND 13.

# RIDGE PACKER ROLLER ASSEMBLY (800mm)

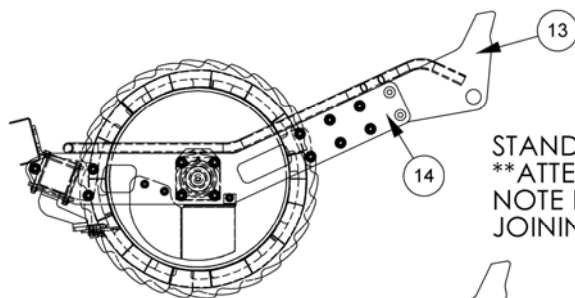
**McCONEL**

Module(s): 1064790

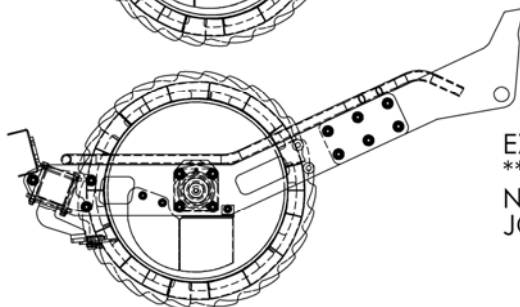


Module(s): 1064790

REF.	QTY.	PART No.	DESCRIPTION
		<b>1064790</b>	<b>RIDGE PACKER ROLLER ASSEMBLY</b>
1	1	22541.01	800MM RIDGE PACKER
2	2	0600062	BEARING
3	4	21124.03	BEARING PACKER
4	1	22541.20	ATTACHMENT PLATE - R/H
5	1	22541.34	SCRAPER - L/H
6	1	22541.35	SCRAPER - R/H
7	1	22541.07	SCRAPER BAR
8	11	42072.08	U BOLT
9	6	9353096	CAPSCREW
10	26	9353147	SETSCREW
11	1	22541.12	LIGHT BRACKET ASSEMBLY - L/H
12	1	22541.11	LIGHT BRACKET ASSEMBLY - R/H
13	2	22541.81	ROLLER ATTACHMENT PLATE
14	1	22541.21	ATTACHMENT PLATE - L/H
15	26	9163007	NYLOC NUT
16	32	9163006	NYLOC NUT
17	26	9100105	FLAT WASHER
18	26	9293085	COACHBOLT
19	2	22760.03	END SCRAPER
20	12	22760.01	ROLLER SCRAPER LEG
21	26	9163005	NYLOC NUT
22	1	22760.04	ROLLER END SCRAPER LEG
23	11	22760.06	SCRAPER BLADE
24	4	9213286	BOLT



STANDARD SET-UP FOR ROLLER  
**\*\*ATTENTION\*\***  
 NOTE LOCATION OF NUTS AND BOLTS  
 JOINING ITEM 13 AND 14

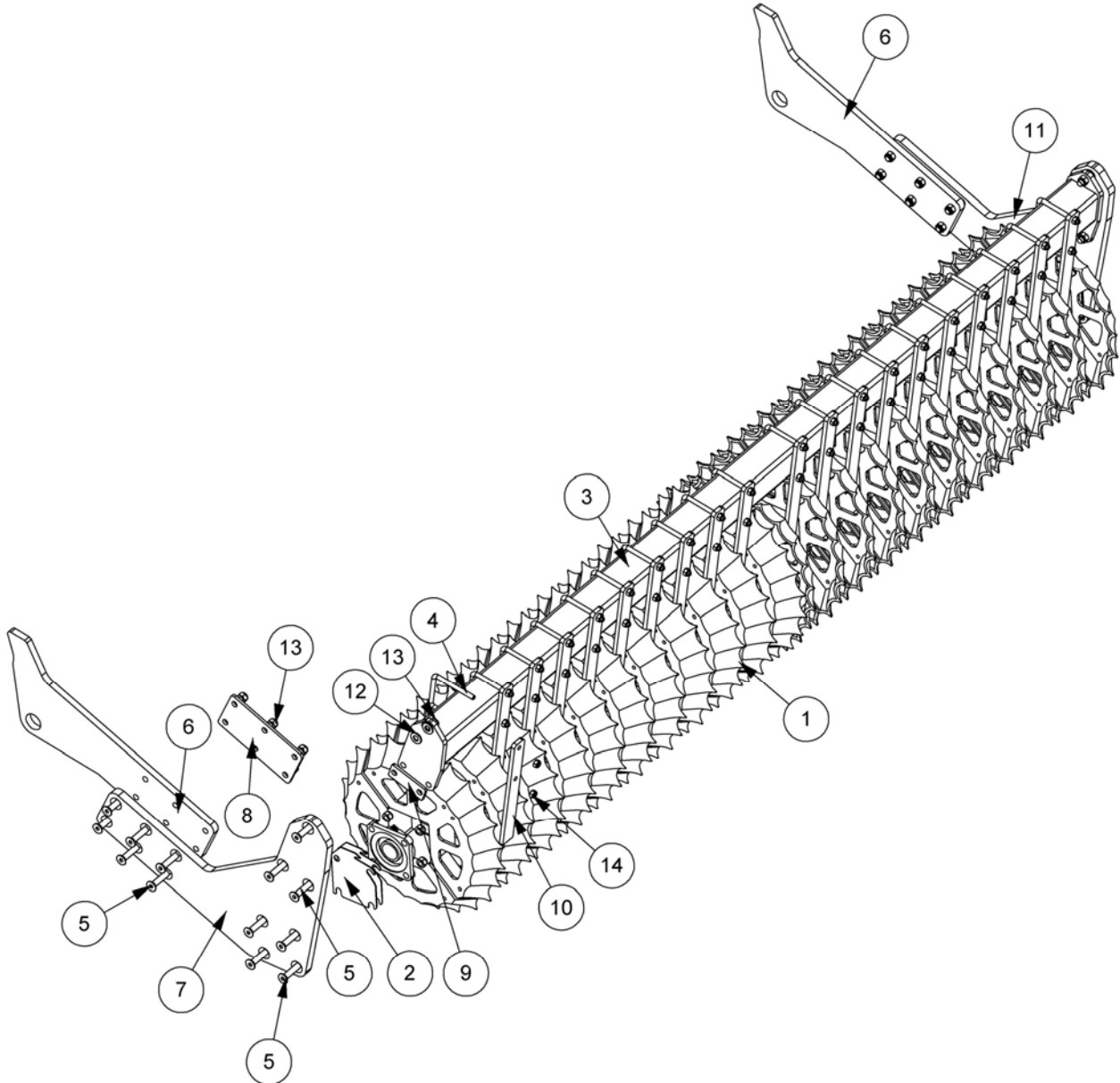


EXTENDED SET-UP FOR ROLLER  
**\*\*ATTENTION\*\***  
 NOTE LOCATION OF NUTS AND BOLTS  
 JOINING ITEM 13 AND 14

# GUTTLER ROLLER ASSEMBLY

**McCONEL**

Module(s): 1064791

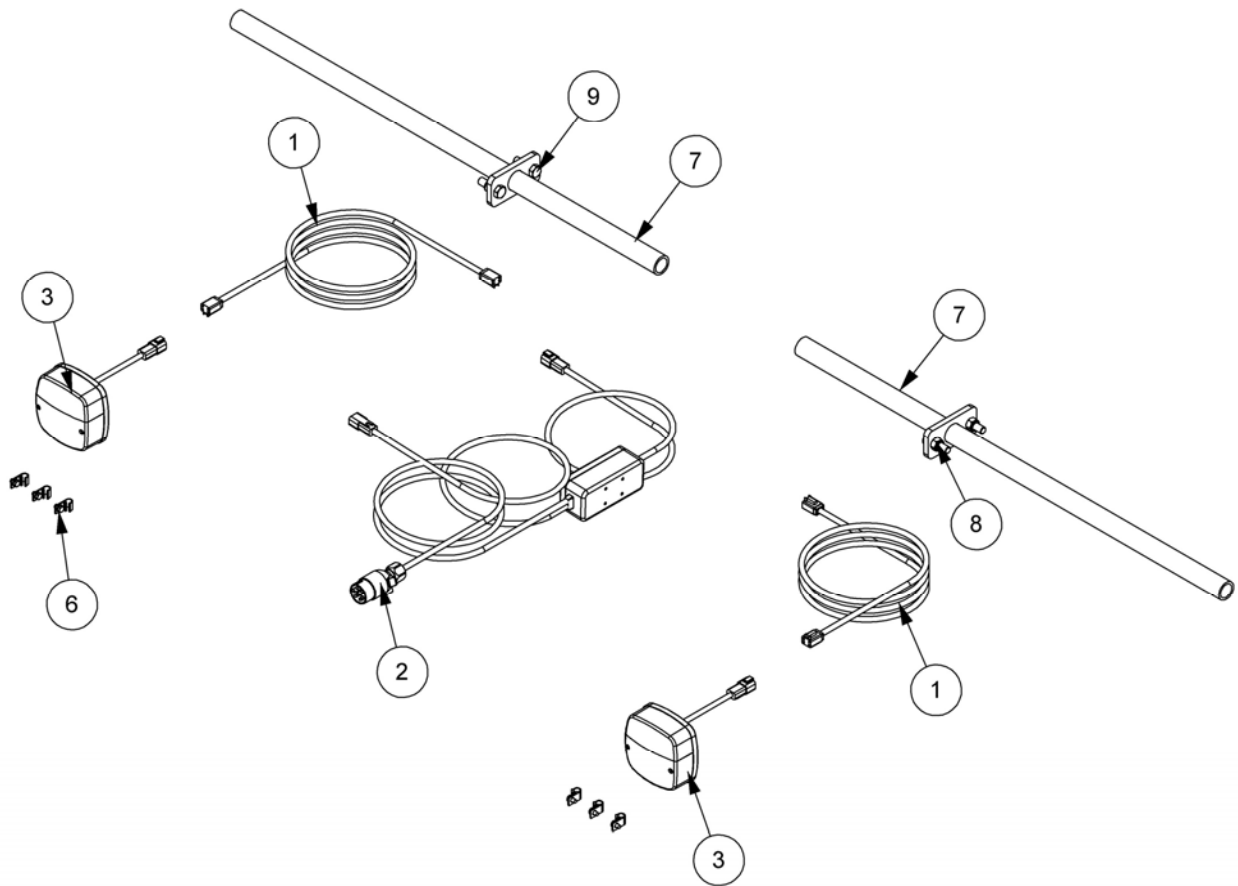


REF.	QTY.	PART No.	DESCRIPTION
		<b>1064791</b>	<b>GUTTLER ROLLER ASSEMBLY</b>
1	1	22618.01	3M GUTTLER ROLLER
2	4	21124.03	BEARING PACKER
3	1	22541.07	SCRAPER BAR
4	20	42072.08	U BOLT
5	26	9353147	SETSCREW
6	2	22820.36	ROLLER ATTACHMENT PLATE
7	1	22541.83	ATTACHMENT PLATE - L/H
8	2	22541.85	FILLER PLATE
9	2	22541.64	SPACER PLATE
10	20	22619.01	GUTTLER SCRAPER
11	1	22541.84	ATTACHMENT PLATE - R/H
12	6	0100106	WASHER
13	26	9163007	NYLOC NUT
14	40	9163006	NYLOC NUT

# LIGHTING KIT

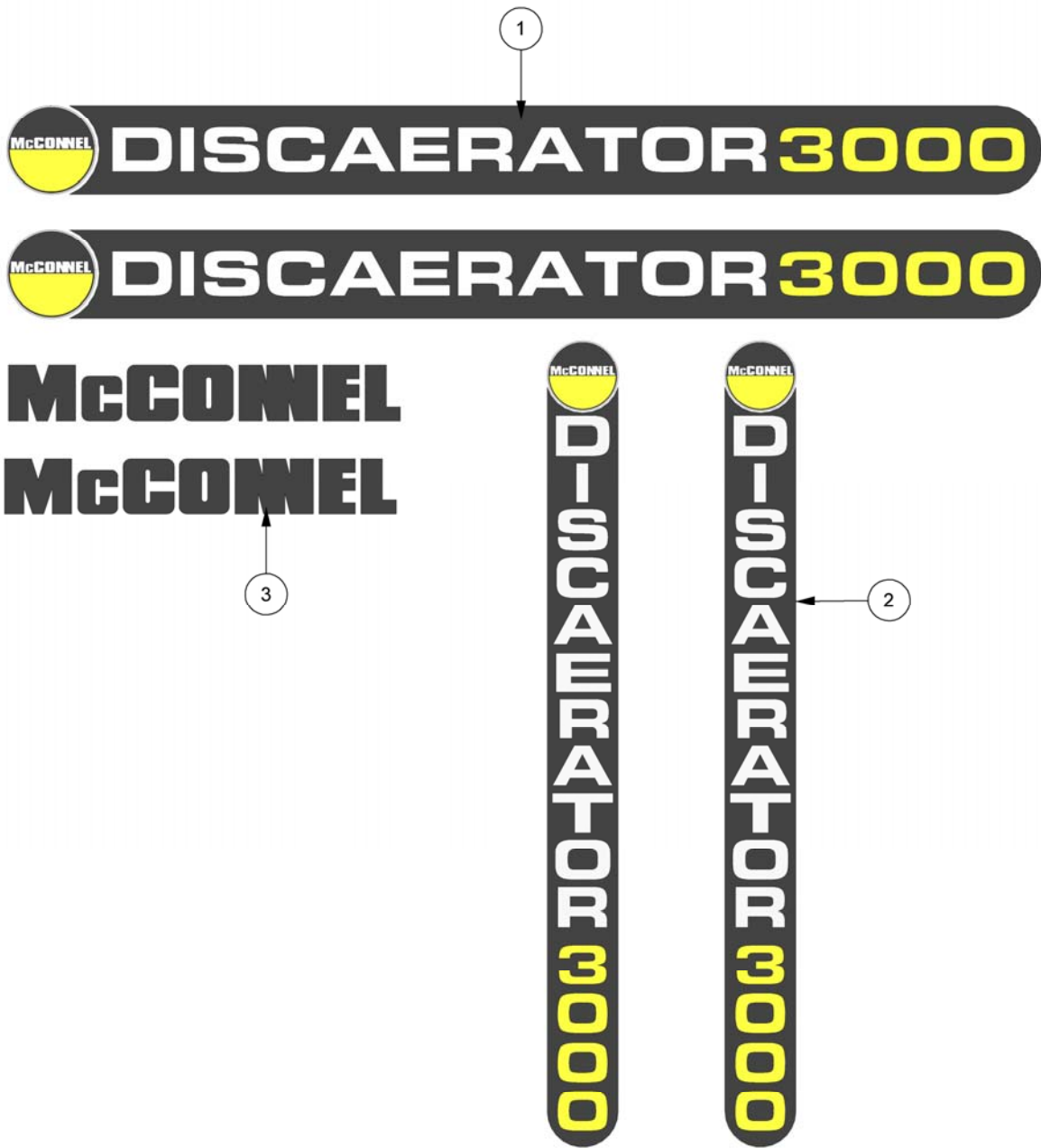
Module(s): 1064710

# McCONEL



REF.	QTY.	PART No.	DESCRIPTION
		<b>1064710</b>	<b>LIGHTING KIT</b>
1	2	22572.10	WIRING LOOM (4.0M)
2	1	22572.08	JUNCTION BOX C/W PLUGS & CABLES
3	2	45642.02	COMBINATION LAMP ASSEMBLY
4	6	21151.01	D CLIP
5	6	9100203	SPRING WASHER
6	6	9313013	SETSCREW
7	2	22521.06	CABLE HOLDER
8	4	9163006	NYLOC NUT
9	4	9213086	BOLT





REF.	QTY.	PART No.	DESCRIPTION
		<b>1064711</b>	<b>DECAL KIT - DISCAERATOR 3000</b>
1	2	1290844	DECAL - DISCAERATOR 3000 (HORIZONTAL)
2	2	1290845	DECAL - DISCAERATOR 3000 (VERTICAL)
3	2	1290255	DECAL - McCONNEL



McConnel Limited, Temeside Works, Ludlow, Shropshire SY8 1JL. England.  
Telephone: 01584 873131. Facsimile: 01584 876463. [www.mcconnel.com](http://www.mcconnel.com)