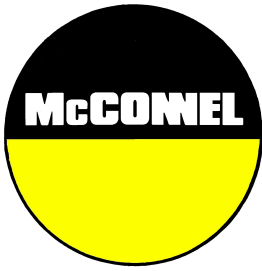
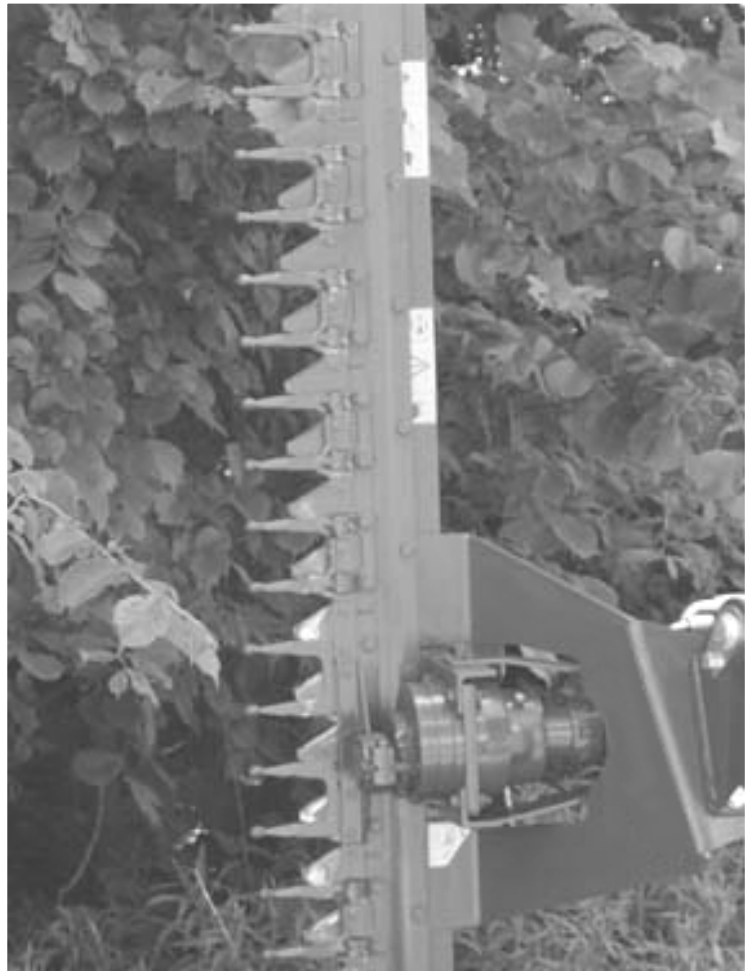


Publication 765  
February 2014  
Part No. 22675.65  
Revised: 18.01.18



# MHL150/180/210 CUTTERBARS

(Standard Duty)  
Pre-2019 Builds  
Parts Manual



## CONTENTS

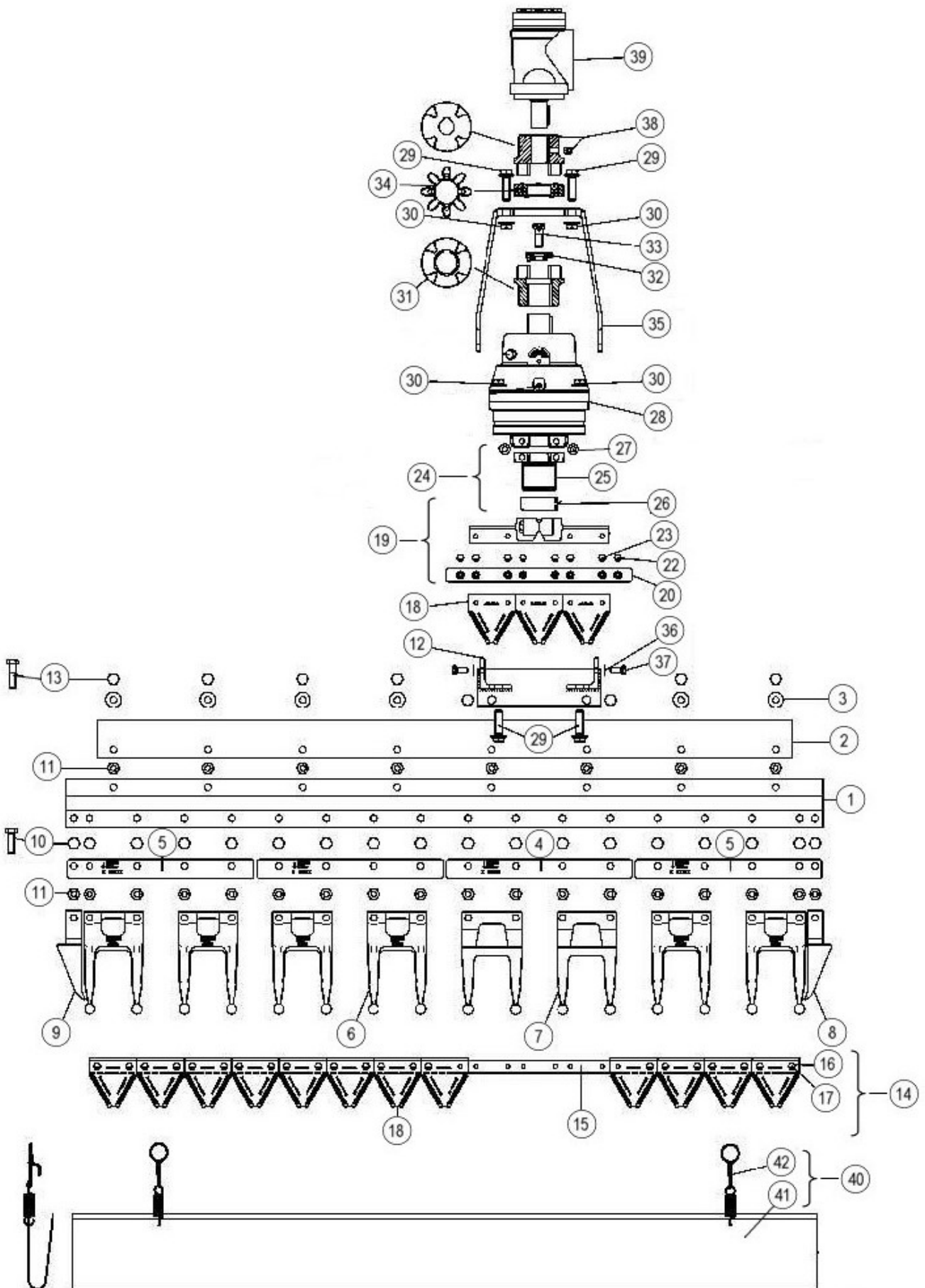
---

Cutterbar Assembly – MHL150 / 180 / 210	2
Knife Bar Assembly – MHL150 / 180 / 210	6
Torque Settings	8

# CUTTERBAR ASSEMBLY – MHL150 / 180 / 210

**McCONNEL**

MHL Series Cutterbars (Pre-2019 Builds)



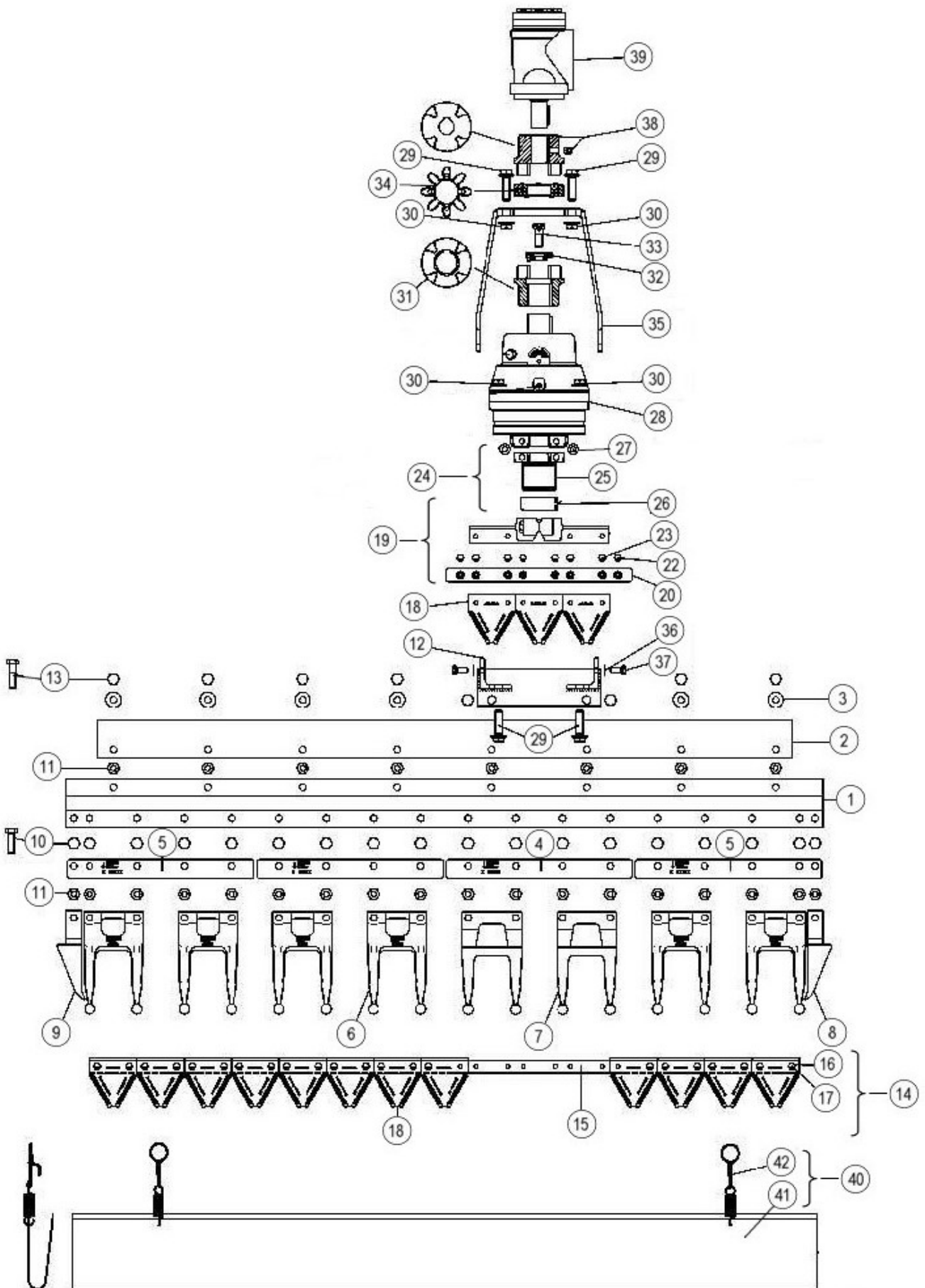
CUTTERBAR ASSEMBLY – MHL150 / 180 / 210



MHL Series Cutterbars (Pre-2019 Builds)

REF.	QTY.			PART No.	DESCRIPTION
	150	180	210		
<b>CUTTERBAR ASSEMBLIES - MHL150 / 180 / 210 Series</b>					
1	2	-	-	6506001	PROFILE BAR - MHL150 Models
	-	2	-	6506002	PROFILE BAR - MHL180 Models
	-	-	2	6506003	PROFILE BAR - MHL210 Models
2	1	-	-	6506004	REINFORCEMENT STRIP - MHL150 Models
	-	1	-	6506005	REINFORCEMENT STRIP - MHL180 Models
	-	-	1	6506006	REINFORCEMENT STRIP - MHL210 Models
3	8	10	12	6506019	SPACER TUBE
4	3	4	5	6506020	SPACER BAR
5	2	2	2	6506021	OUTER SPACER BAR
6	8	10	12	6506022	GUARD
7	2	2	2	6506023	LEADER GUARD
8	1	1	1	6506024	PROTECTION GUARD - RIGHT
9	1	1	1	6506025	PROTECTION GUARD - LEFT
10	22	26	30	6506051	HEX HEAD SCREW
11	32	38	44	9113005	NUT
12	1	1	1	6506026	GEARBOX CONSOLE
13	10	12	14	9313025	HEX HEAD SCREW
14	1	-	-	6506007	KNIFE ASSEMBLY - MHL150 Models
	-	1	-	6506008	KNIFE ASSEMBLY - MHL180 Models
	-	-	1	6506009	KNIFE ASSEMBLY - MHL210 Models
15	1	-	-	6506010	KNIFE BACK - MHL150 Models
	-	1	-	6506011	KNIFE BACK - MHL180 Models
	-	-	1	6506012	KNIFE BACK - MHL210 Models
16	30	38	44	6506027	TEETH BOLT
17	30	38	44	6506028	FLANGE NUT
18	19	23	27	6506029	KNIFE SECTION
19	1	1	1	6506033	KNIFEHEAD PRO-DRIVE ASSEMBLY ( <i>incl. 20,21,22,23,26</i> )
20	1	1	1	6506030	KNIFE CONNECTOR
21				-	KNIFEHEAD PRO-DRIVE - <i>not available seperately</i>
22	2	2	2	6506031	HEX HEAD SCREW
23	6	6	6	6506032	HEX HEAD SCREW
24	1	1	1	6506034	HEAD CONNECTOR COMPLETE ( <i>incl. 25,26,27</i> )
	1	1	1	6506035	* HEAD CONNECTOR COMPLETE M/F ( <i>incl. 25,26,27</i> )
25	1	1	1	-	HEAD CONNECTOR - <i>not available seperately</i>
26	1	1	1	6506036	ADAPTOR
27	2	2	2	9213075	BOLT
28	1	1	1	6506037	PRO-DRIVE
29	6	6	6	6506038	RIPP BOLT
30	6	6	6	6506039	RIPP NUT
31	1	1	1	6506040	CLAW COUPLING
32	1	1	1	6506041	TENSION WASHER
33	1	1	1	9213066	BOLT

\* M/F = Maintenance Free



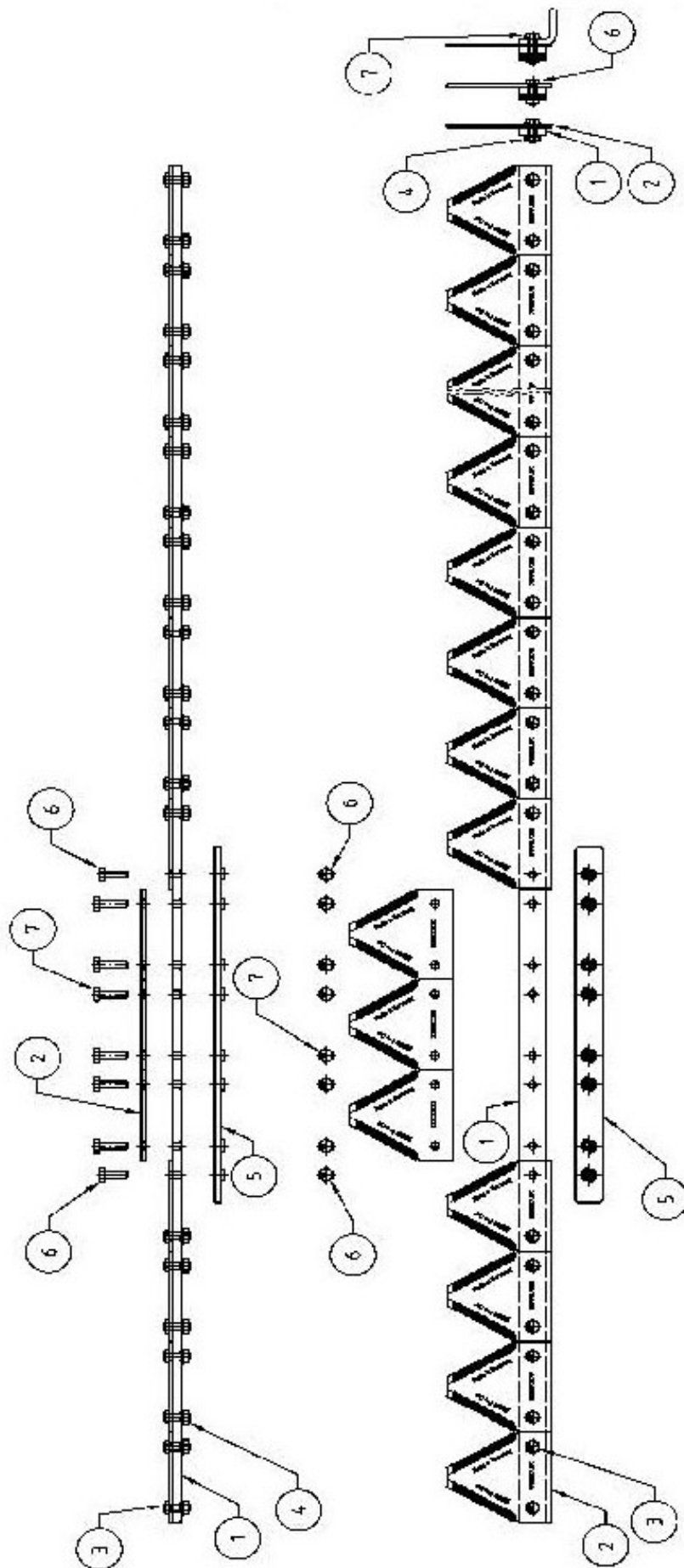
CUTTERBAR ASSEMBLY – MHL150 / 180 / 210



MHL Series Cutterbars (Pre-2019 Builds)

REF.	QTY.			PART No.	DESCRIPTION
	150	180	210		
					<b>CUTTERBAR ASSEMBLIES - MHL150 / 180 / 210 Series</b>
34	1	1	1	6506042	COUPLING STAR
35	1	1	1	6506043	MOTOR BRACKET
36	4	4	4	6506044	WASHER
37	4	4	4	6506045	HEX HEAD SCREW
38	1	1	1	6506046	CLAW COUPLING
39	1	1	1	6506049	HYDRAULIC MOTOR (100ccm)
40	2	2	2	6506050	KNIFE PROTECTOR RETENSION CLIP
41	1	-	-	6506016	KNIFE PROTECTOR - MHL150
	-	1	-	6506017	KNIFE PROTECTOR - MHL180
	-	-	1	6506018	KNIFE PROTECTOR - MHL210
42	1	-	-	6506013	KNIFE PROTECTOR ASSEMBLY - MHL150 <i>(incl. 37,38)</i>
	-	1	-	6506014	KNIFE PROTECTOR ASSEMBLY - MHL180 <i>(incl. 37,38)</i>
	-	-	1	6506015	KNIFE PROTECTOR ASSEMBLY - MHL210 <i>(incl. 37,38)</i>

MHL Series Cutterbars (Pre-2019 Builds)



REF.	QTY.	PART No.	DESCRIPTION
			<b>KNIFE BAR ASSEMBLY - MHL150</b>
1	1	6506010	KNIFE BACK - MHL150
2	19	6506029	KNIFE SECTION
3	30	6506027	TEETH BOLT
4	30	6506028	FLANGE NUT
5	1	6506030	KNIFE CONNECTOR
6	2	6506031	HEX HEAD SCREW
7	6	6506032	HEX HEAD SCREW

REF.	QTY.	PART No.	DESCRIPTION
			<b>KNIFE BAR ASSEMBLY - MHL180</b>
1	1	6506011	KNIFE BACK - MHL180
2	23	6506029	KNIFE SECTION
3	38	6506027	TEETH BOLT
4	38	6506028	FLANGE NUT
5	1	6506030	KNIFE CONNECTOR
6	2	6506031	HEX HEAD SCREW
7	6	6506032	HEX HEAD SCREW

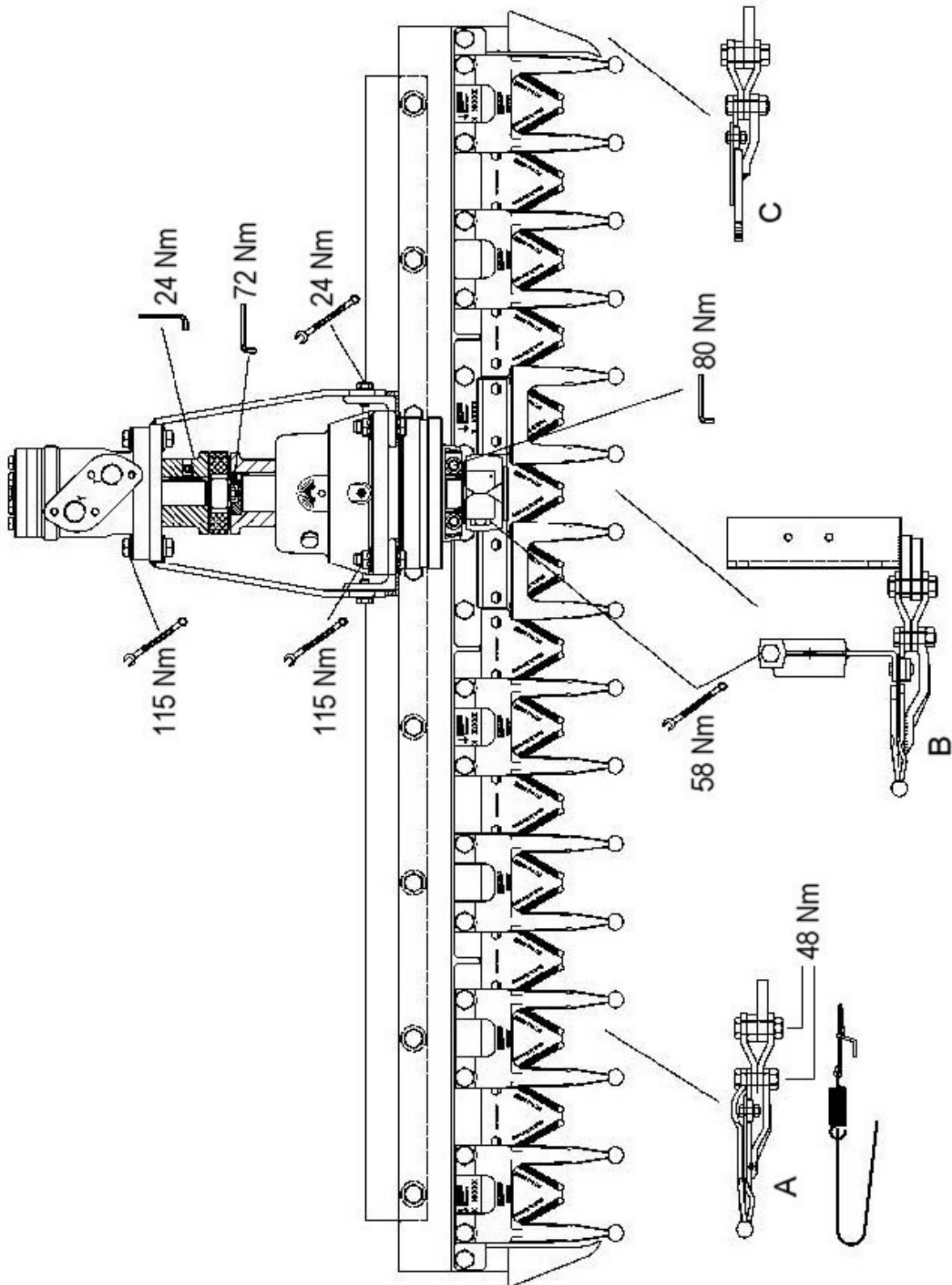
REF.	QTY.	PART No.	DESCRIPTION
			<b>KNIFE BAR ASSEMBLY - MHL210</b>
1	1	6506012	KNIFE BACK - MHL210
2	27	6506029	KNIFE SECTION
3	46	6506027	TEETH BOLT
4	46	6506028	FLANGE NUT
5	1	6506030	KNIFE CONNECTOR
6	2	6506031	HEX HEAD SCREW
7	6	6506032	HEX HEAD SCREW



# TORQUE SETTINGS

MHL Series Cutterbars (Pre-2019 Builds)

**McCONNEL**

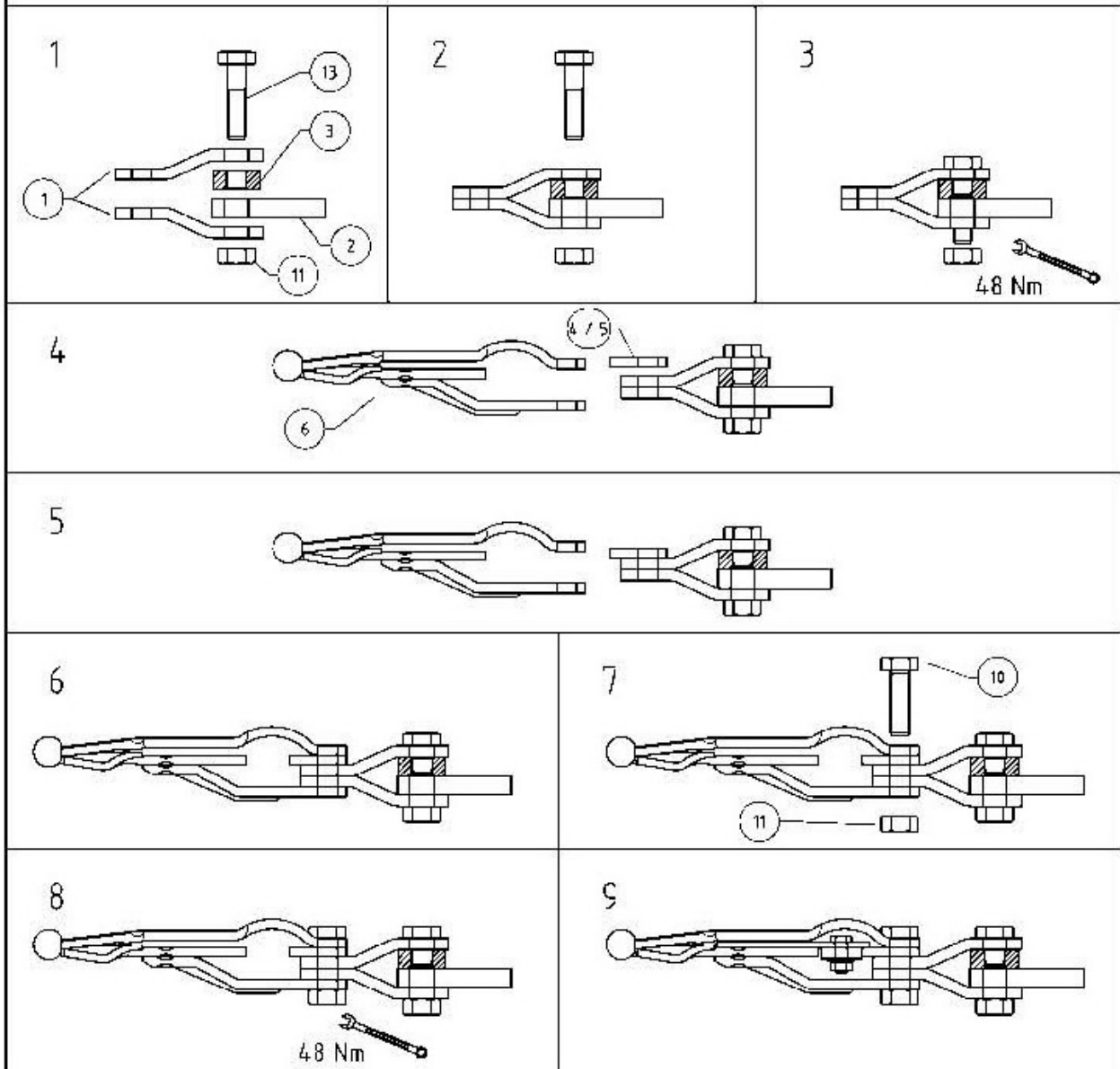


# TORQUE SETTINGS

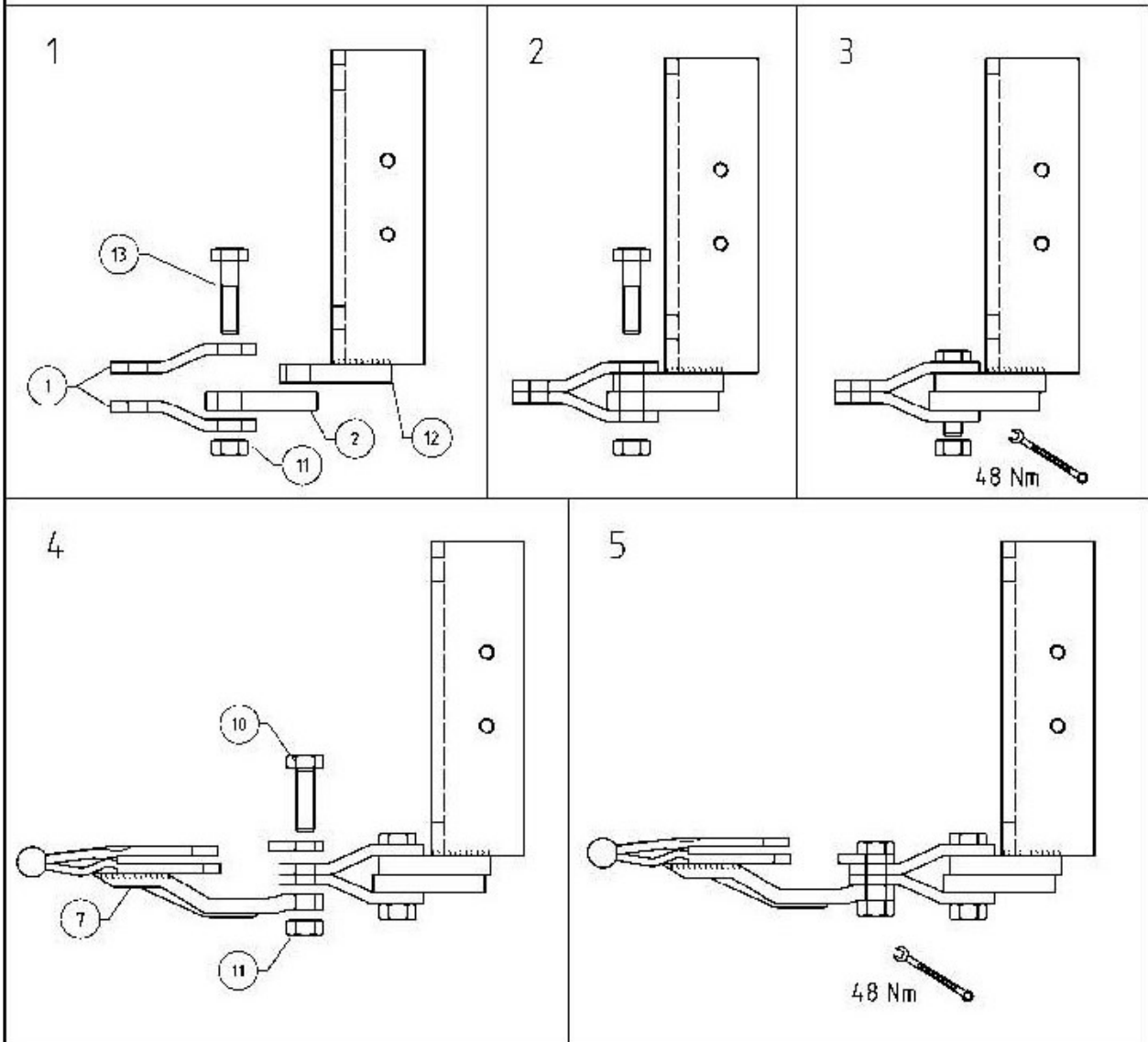
MHL Series Cutterbars (Pre-2019 Builds)



## A

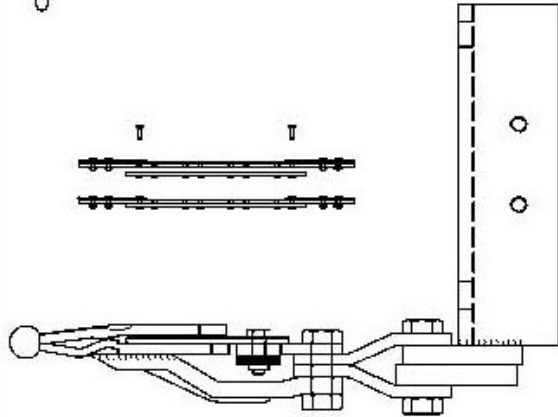


B.1

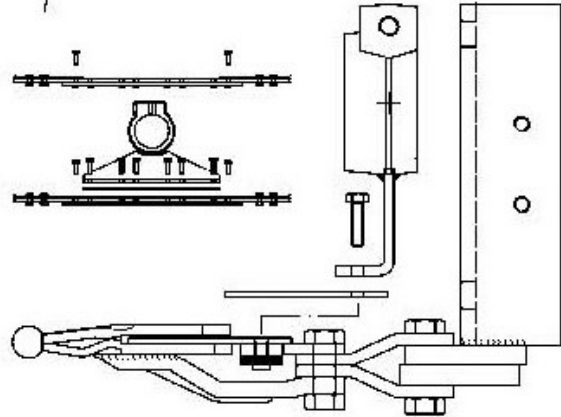


B.2

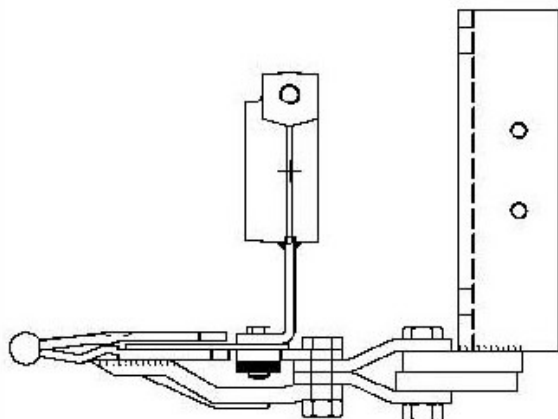
6



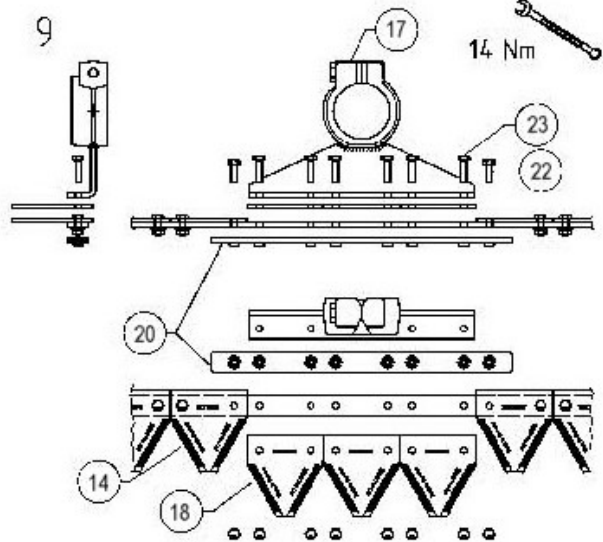
7



8



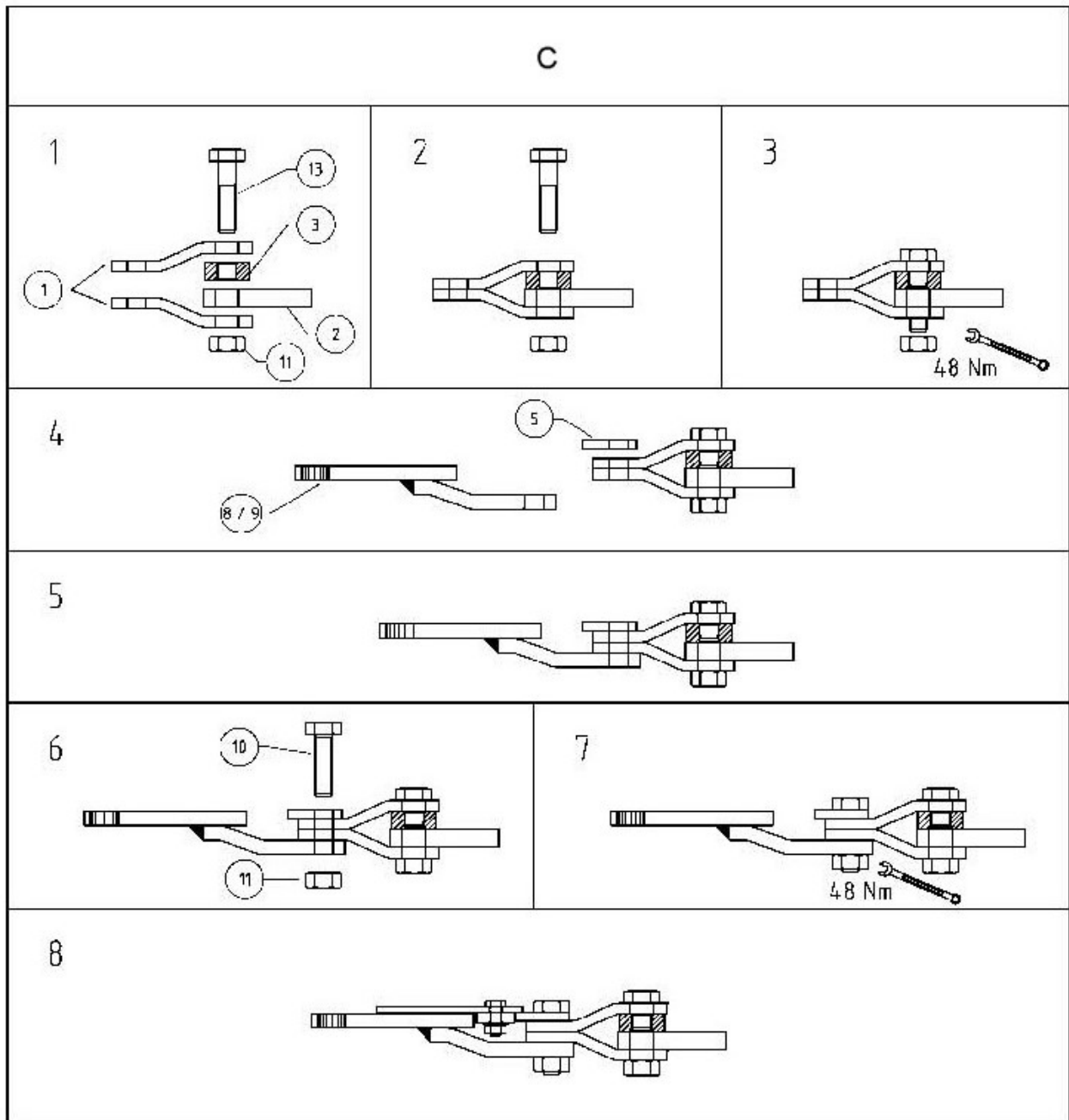
9



# TORQUE SETTINGS

# McCONNEL

MHL Series Cutterbars (Pre-2019 Builds)





McConnel Limited, Temeside Works, Ludlow, Shropshire SY8 1JL. England.  
Telephone: 01584 873131. Facsimile: 01584 876463. [www.mcconnel.com](http://www.mcconnel.com)