

Publication 662  
November 2010  
Part No. 22674.62

# KIROGN MINILEM MODULAR PRUNING UNITS

Model: Minilem Profile



Parts Manual



## CONTENTS

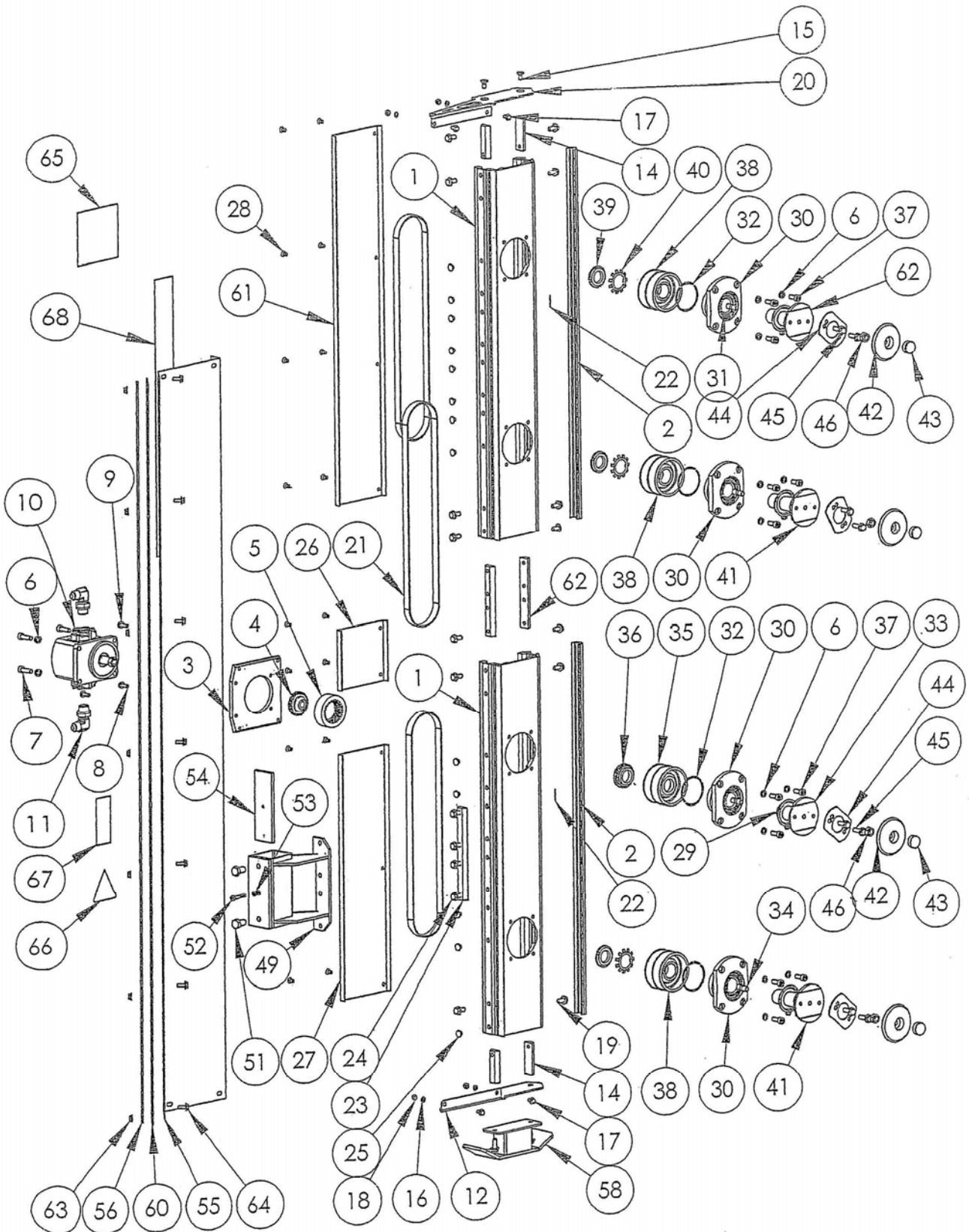
---

Kirogn Minilem Assembly	2
Saw Blades & Fixings	6
Knives Assembly	7

# KIROGN MINILEM ASSEMBLY

Module(s): 1069900, 1069901, 1069905, 1069906

# McCONEL



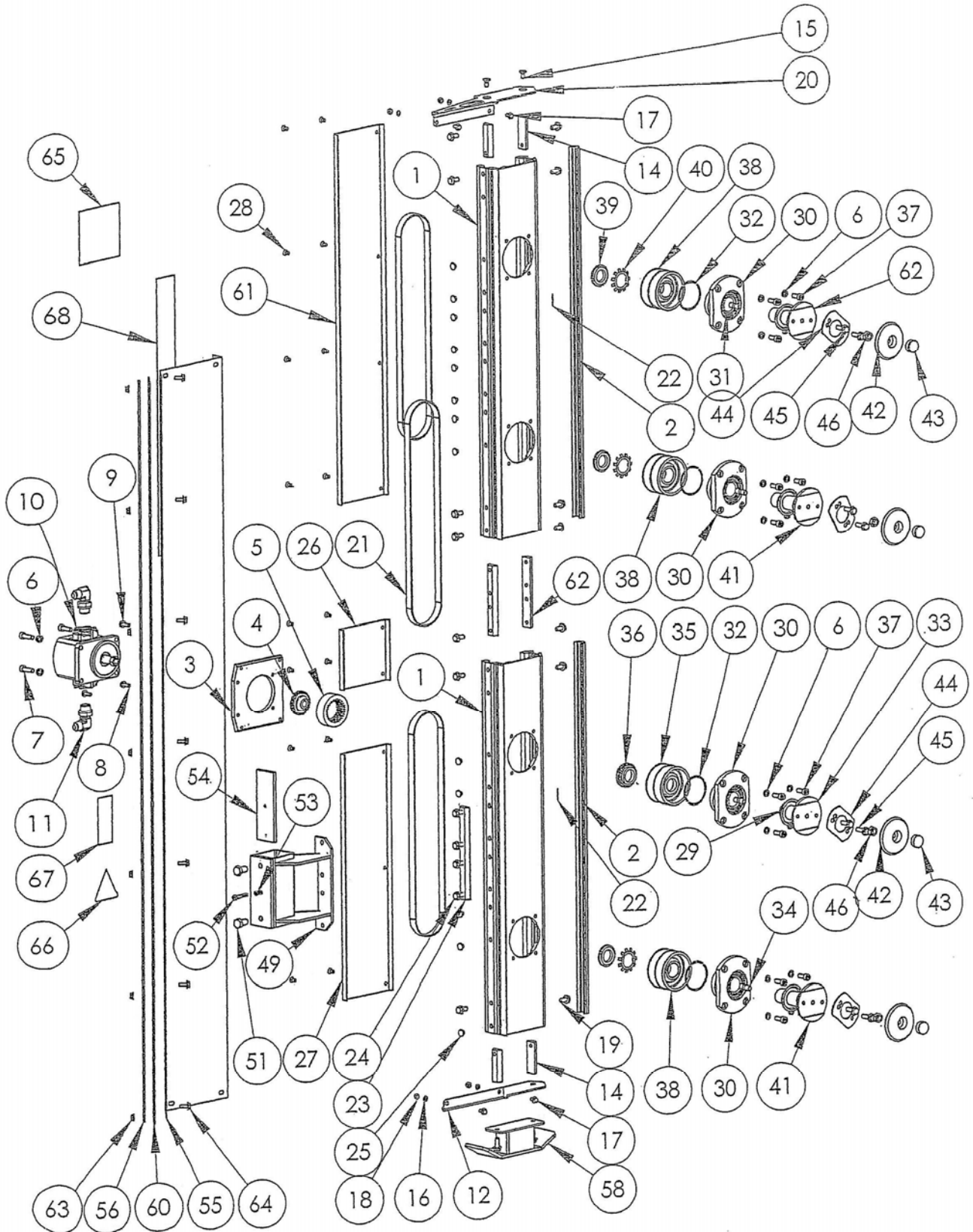
Module(s): 1069900, 1069901, 1069905, 1069906

REF.	QTY.	PART No.	DESCRIPTION
		<b>1069900</b>	<b>MINILEM - 4 Blade (450mm) - L/H Build</b>
		<b>1069901</b>	<b>MINILEM - 4 Blade (450mm) - R/H Build</b>
		<b>1069905</b>	<b>MINILEM - 4 Blade (500mm) - L/H Build</b>
		<b>1069906</b>	<b>MINILEM - 4 Blade (500mm) - R/H Build</b>
1	1	1069142	FRAME
2	1	1069143	PLASTIC PROTECTION
3	1	1069144	MOTOR PLATE
4	1	1069145	BEVEL PINION
5	1	1069146	COUPLING RING
6	16	1069147	WASHER
7	4	1069148	BOLT
8	4	1069149	STUD
9	4	1069150	NUT
10	1	1069151	MOTOR (12cc)
11	2	1069152	ADAPTOR ELBOW
12	1	1069153	END COVER
13	1	1069216	SHORT SHAFT BLADE
14	6	1069155	END PIECE
15	6	1069156	BOLT
16	6	1069157	WASHER
17	6	1069158	BOLT
18	6	1069159	NUT
19	14	1069160	BOLT
20	2	1069161	END COVER
21	2	1069162	FLAT BELT
22	2	1069163	DECAL - ROTATION DIRECTION
23	1	1069164	CENTRE PIECE
24	6	1069165	BOLT
25	12	1069166	PLASTIC BUNG
26	1	1069167	COVER
27	1	1069168	COVER
28	14	1069169	BOLT
29	3	1069170	SEAL
30	3	1069171	BEARING
31	3	1069172	ROLLER BEARING
32	3	1069173	INTERNAL CIRCLIP
33	1	1069174	SHORT SHAFT BLADE
34	3	1069175	GRUB SCREW
35	1	1069176	MOTOR PULLEY
36	1	1069177	NUT - R/H THREAD
37	12	1069178	BOLT
38	2	1069179	PULLEY
39	2	1069180	CASTLE NUT
40	2	1069181	CASTLE WASHER

# KIROGN MINILEM ASSEMBLY

Module(s): 1069900, 1069901, 1069905, 1069906

# McCONEL



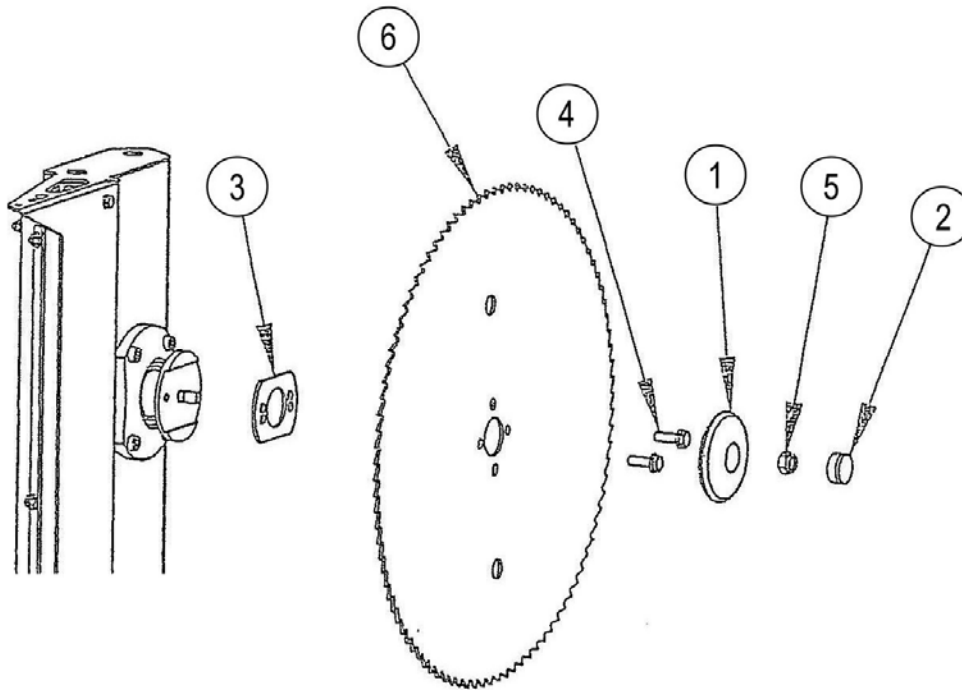
**KIROGN MINILEM ASSEMBLY**

**McCONNEL**

Module(s): 1069900, 1069901, 1069905, 1069906

<b>REF.</b>	<b>QTY.</b>	<b>PART No.</b>	<b>DESCRIPTION</b>
41	2	1069182	LONG SHAFT BLADE
42	3	1069183	RETAINER
43	3	1069184	CAP
44	3	1069185	FLAIL FIXING
45	6	1069186	NUT
46	3	1069187	LOCKNUT
47	1	1069188	FIXING PLATE - <i>not shown</i>
48	1	1069189	HOSE FIXING - <i>not shown</i>
49	1	1069190	BRACKET
50	1	1069191	BRACKET - <i>not shown</i>
51	2	1069192	BOLT
52	1	1069193	BOLT
53	1	1069194	SPRING
54	1	1069195	TIGHTENING WEDGE
55	1	1069210	DEFLECTOR
56	1	1069211	CLAMP STRIP
57	1	1069212	FLAT BAR - <i>not shown</i>
58	1	1069202	GUIDE BLOCK
59	1	1069213	DISTANCE SPACER - <i>not shown</i>
60	1	1069214	PLASTIC PROTECTION
61	1	1069215	COVER
62	2	1069198	JUNCTION PIECE
63	7	1069205	NUT
64	7	1069204	BOLT
65	1	1069206	DECAL - ROTATIVE TOOL
66	1	1069209	DECAL - KIROGN
67	1	1069208	DECAL - MAX FLOW
68	1	1069207	DECAL - MINILEM PROFILE

Module(s):



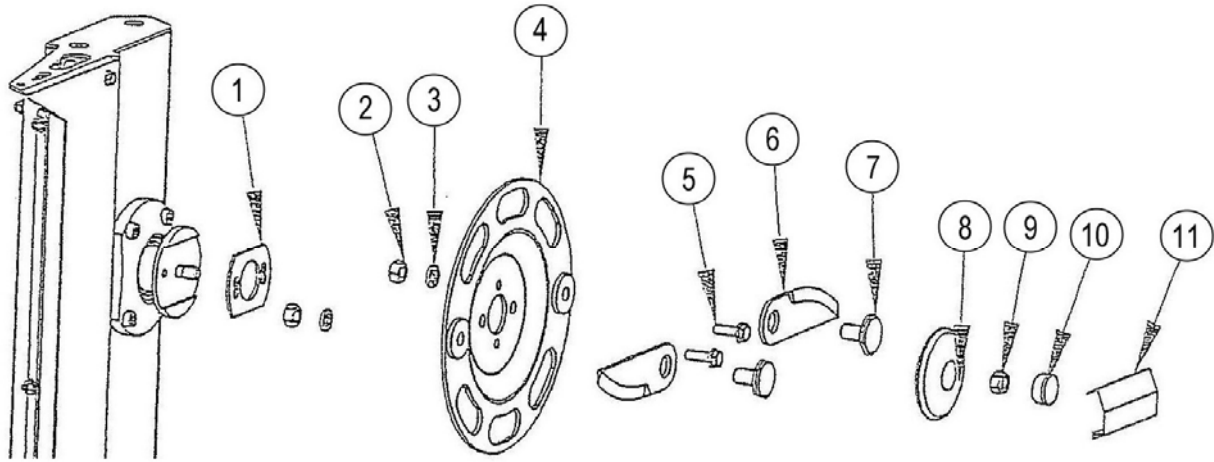
REF.	QTY.	PART No.	DESCRIPTION	
<b>SAWBLADE ASSEMBLY</b>				
1	1	1069183	RETAINER	
2	1	1069184	CAP	
3	1	1069185	FLAIL FIXING	
4	2	1069186	BOLT	
5	1	1069187	LOCKNUT	
6	1	1069802	SAW BLADE $\phi$ 450mm (210 Teeth)	
		1	1069803	SAW BLADE $\phi$ 450mm (96 Teeth)
		1	1069804	SAW BLADE $\phi$ 500mm (96 Teeth)

*NOTE: Quantities stated are per rotor head*

**1069800 - SAW BLADE SET**

4 x 1069802 SAW BLADES  $\phi$ 450mm (210 Teeth)

Module(s):



REF.	QTY.	PART No.	DESCRIPTION
			<b>KNIVES ASSEMBLY</b>
1	1	1069185	FLAIL FIXING
2	2	1069054	NUT
3	2	1069053	WASHER
4	1	1069217	PLATE
5	2	1069186	BOLT
6	2	1069218	POLYCHROME KNIFE
7	2	1069059	BOLT
8	1	1069183	RETAINER
9	1	1069187	LOCKNUT
10	1	1069184	CAP
11	1	1069219	KNIFE PROTECTION

*NOTE: Quantities stated are per rotor head*







McConnel Limited, Temeside Works, Ludlow, Shropshire SY8 1JL. England.  
Telephone: 01584 873131. Facsimile: 01584 876463. [www.mcconnel.com](http://www.mcconnel.com)