

FINECUT 1200

Cutter Head

- 1093941 -

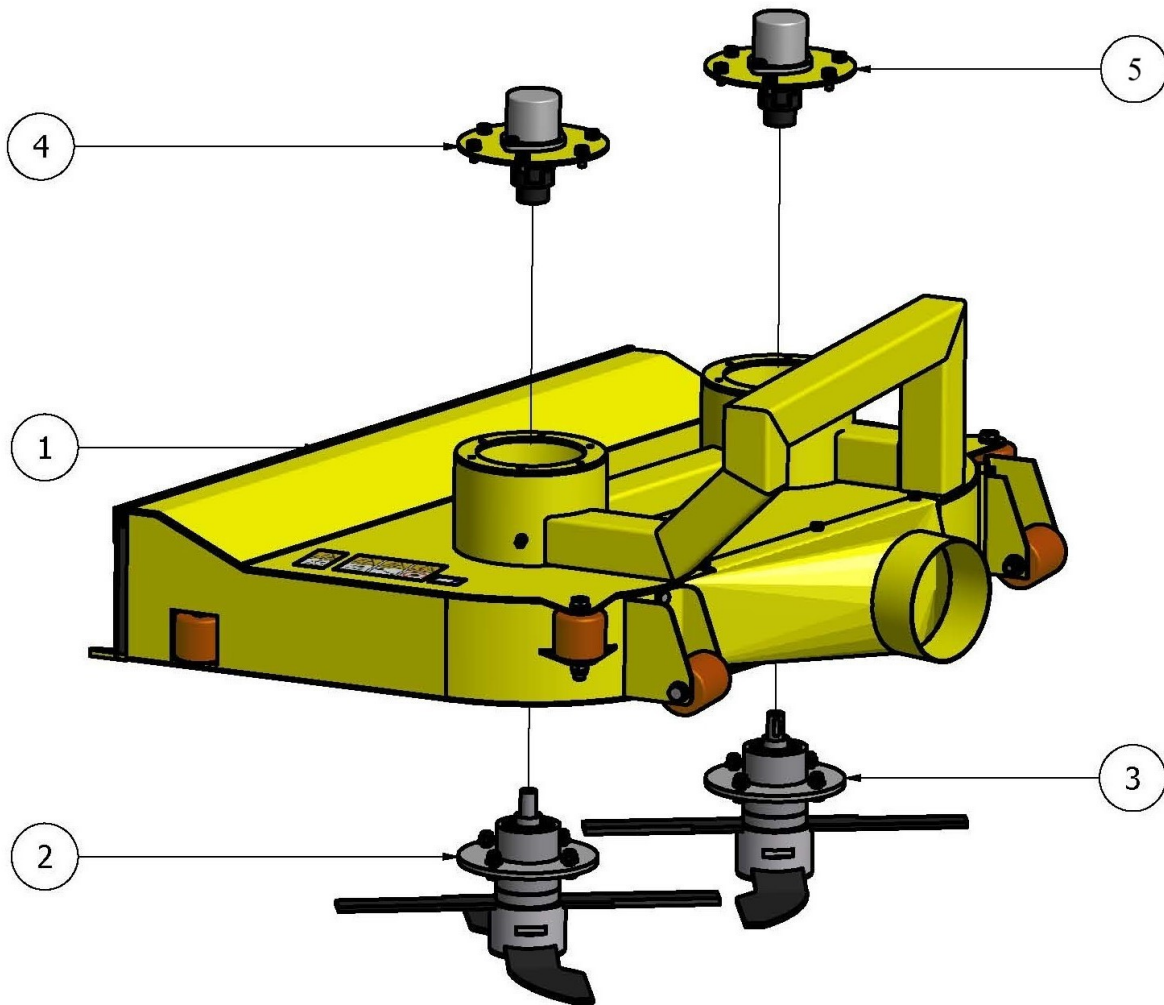
Parts Manual

(Rev. 30.09.21)

FINECUT 1200 CUTTER HEAD

McCONNEL

Module(s): 1093941

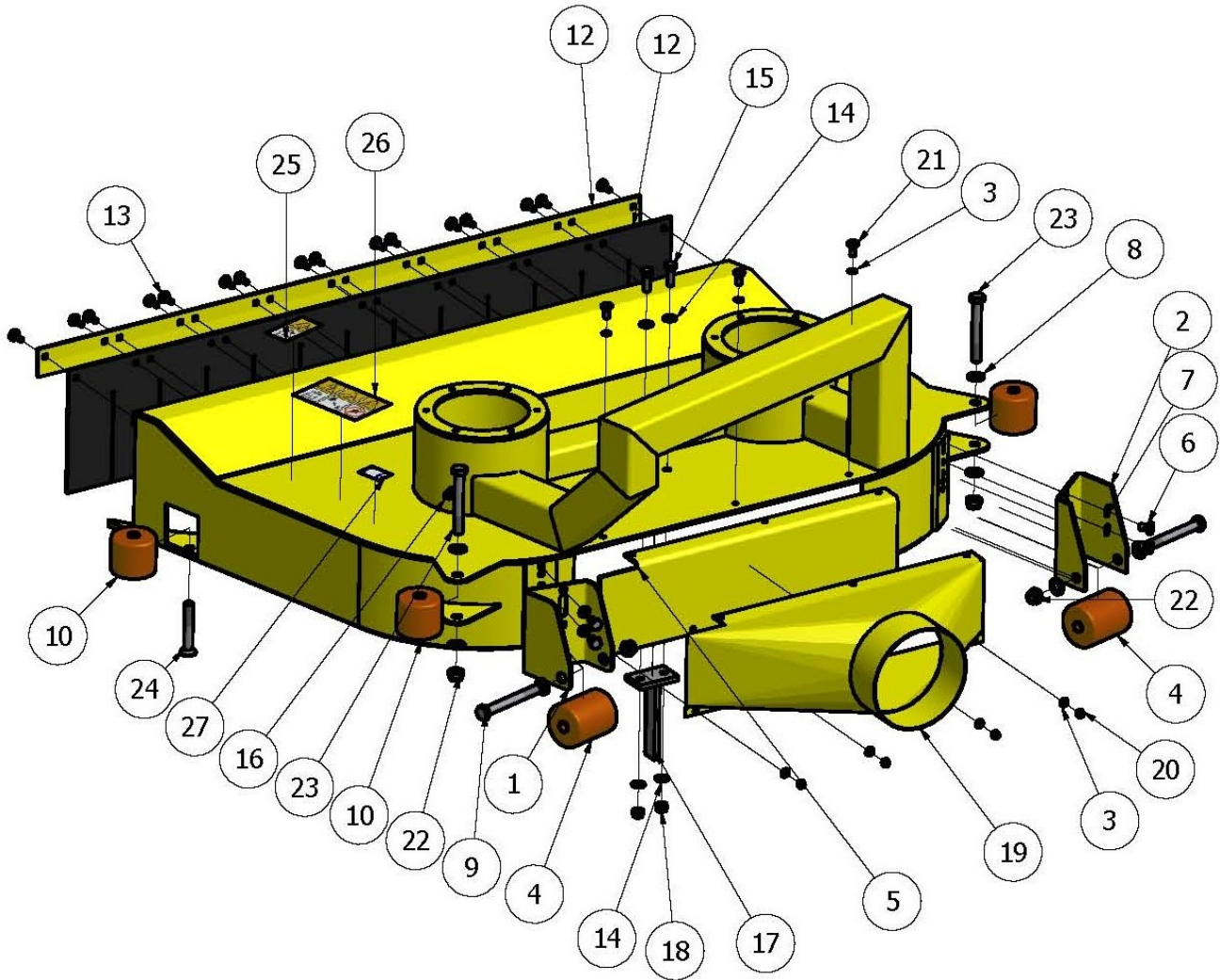


REF.	QTY.	PART No.	DESCRIPTION
		1093941	FINECUT 1200 CUTTER HEAD
1	1	1093704	FINECUT 1200 CASING ASSEMBLY
2	1	1093700	ROTOR ASSEMBLY - LEFT
3	1	1093701	ROTOR ASSEMBLY - RIGHT
4	1	1093702	CW MOTOR ASSEMBLY
5	1	1093703	ACW MOTOR ASSEMBLY

FINECUT 1200 CASING ASSEMBLY

McCONNEL

Module(s): 1093704



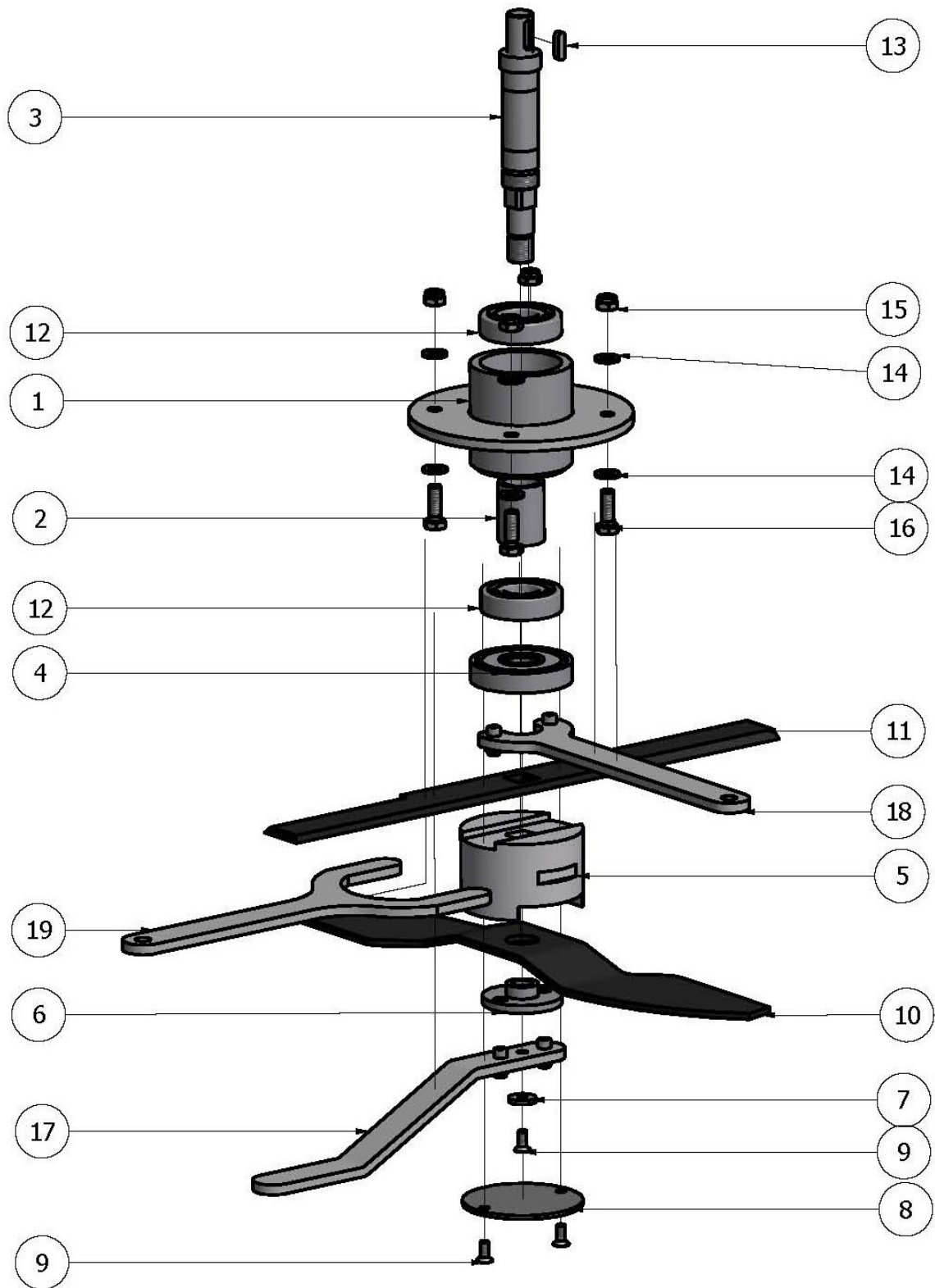
Module(s): 1093704

REF.	QTY.	PART No.	DESCRIPTION
		1093704	FINECUT 1200 CASING ASSEMBLY
1	1	1093026	BRACKET
2	1	1093027	BRACKET
3	10	1093028	WASHER
4	2	1093029	SUPPORT ROLL
5	1	1093030	COVER
6	4	1093031	BOLT
7	4	1093032	WASHER
8	8	1093033	WASHER
9	2	1093034	BOLT
10	3	1093035	SUPPORT ROLL
11	4	1093017	COUNTERSUNK SCREW
12	2	1093036	PROTECTION FLAP
13	16	1093037	CUP HEAD BOLT
14	4	1093020	WASHER
15	2	1093022	BOLT
16	2	1093038	GREASE NIPPLE
17	1	1093039	CONTRA BLADE
18	2	1093021	NUT
19	1	1093040	SUCTION HEAD
20	23	1093041	NUT
21	3	1093042	BOLT
22	4	1093043	NUT
23	2	1093044	BOLT
24	1	1093045	COUNTERSUNK SCREW
25	1	1093046	DECAL
26	1	1093047	DECAL
27	1	1093048	CE DECAL

ROTOR ASSEMBLY LEFT

McCONNEL

Module(s): 1093700



ROTOR ASSEMBLY LEFT



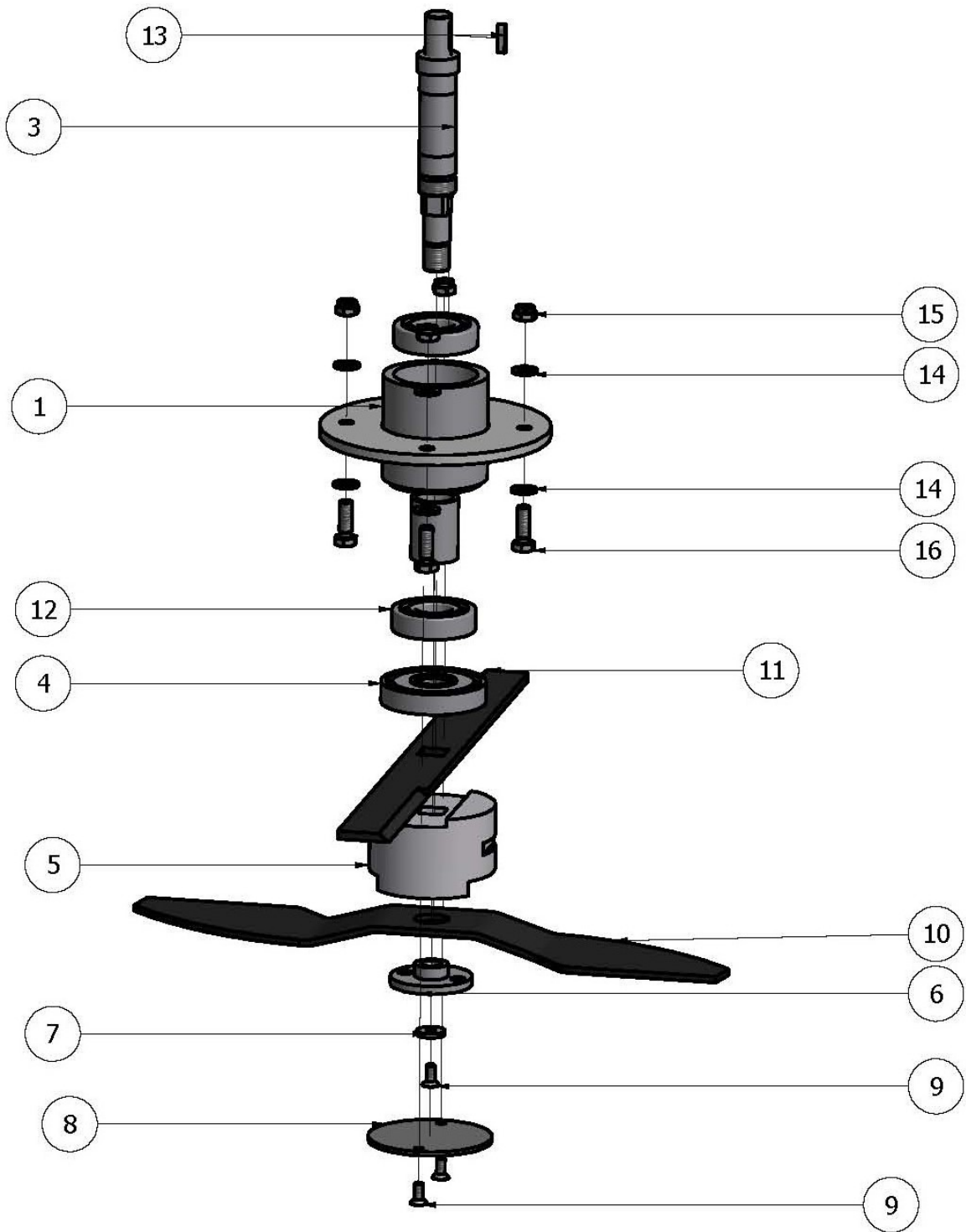
Module(s): 1093700

REF.	QTY.	PART No.	DESCRIPTION
		1093700	ROTOR ASSEMBLY - LEFT
1	1	1093009	BEARING HOUSING
2	1	1093010	SPACER BEARING
3	1	1093011	ROTOR SHAFT
4	1	1093012	LOCKNUT
5	1	1093013	BLADE CLAMP
6	1	1093014	LOCKNUT
7	1	1093015	RETAINER RING
8	1	1093016	COVER PLATE
9	3	1093017	COUNTERSUNK SCREW
10	1	1093005	BLADE (BOTTOM LEFT)
11	1	1093006	BLADE (TOP LEFT)
12	2	1093018	BALL BEARING
13	1	1093019	KEY
14	8	1093020	WASHER
15	4	1093021	HEX NUT
16	4	1093022	HEX HEAD BOLT
17	1	1093023	WRENCH (BLADE LOCK NUT)
18	1	1093024	WRENCH (TOP LOCK NUT)
19	1	1093025	WRENCH (BLADE CLAMP)

ROTOR ASSEMBLY RIGHT

McCONNEL

Module(s): 1093701

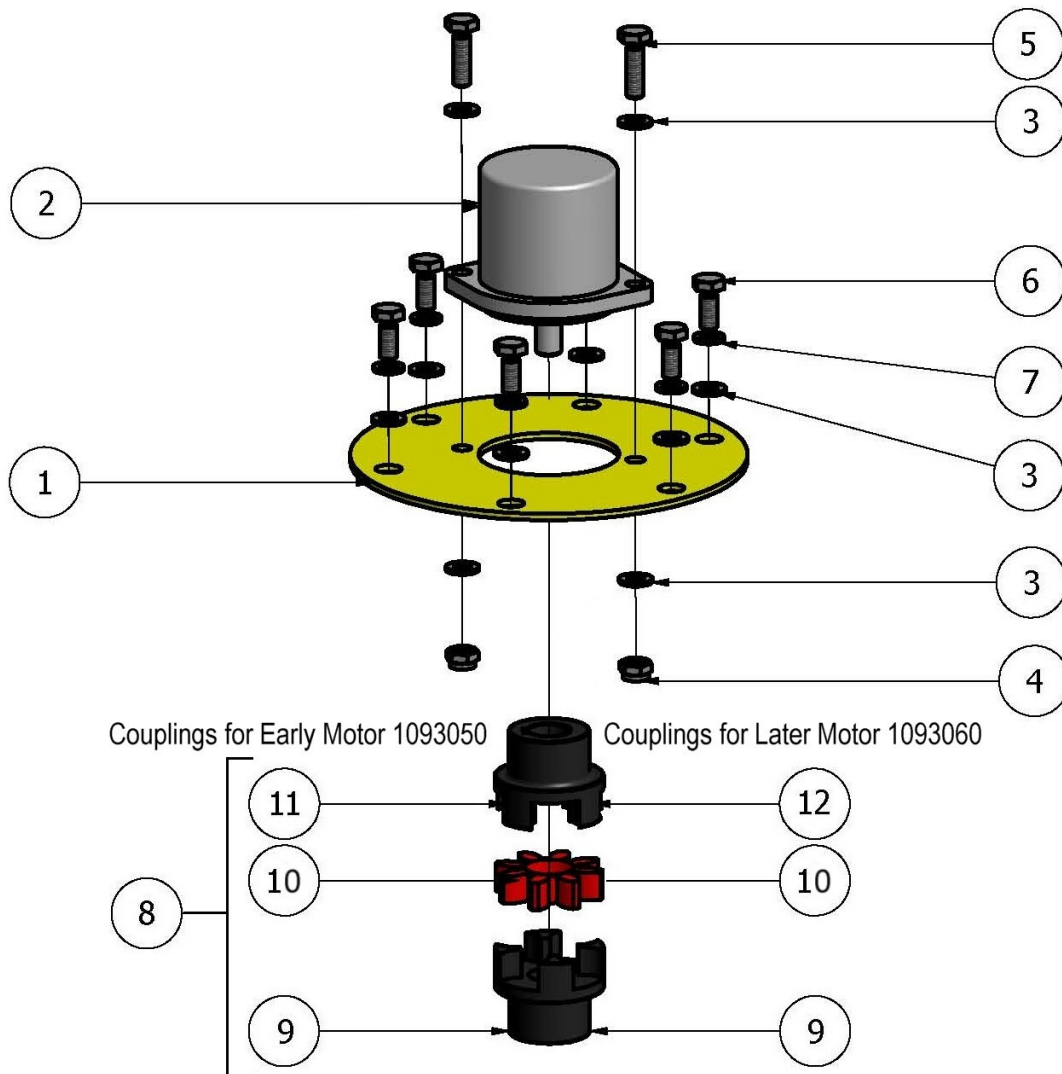


ROTOR ASSEMBLY LEFT

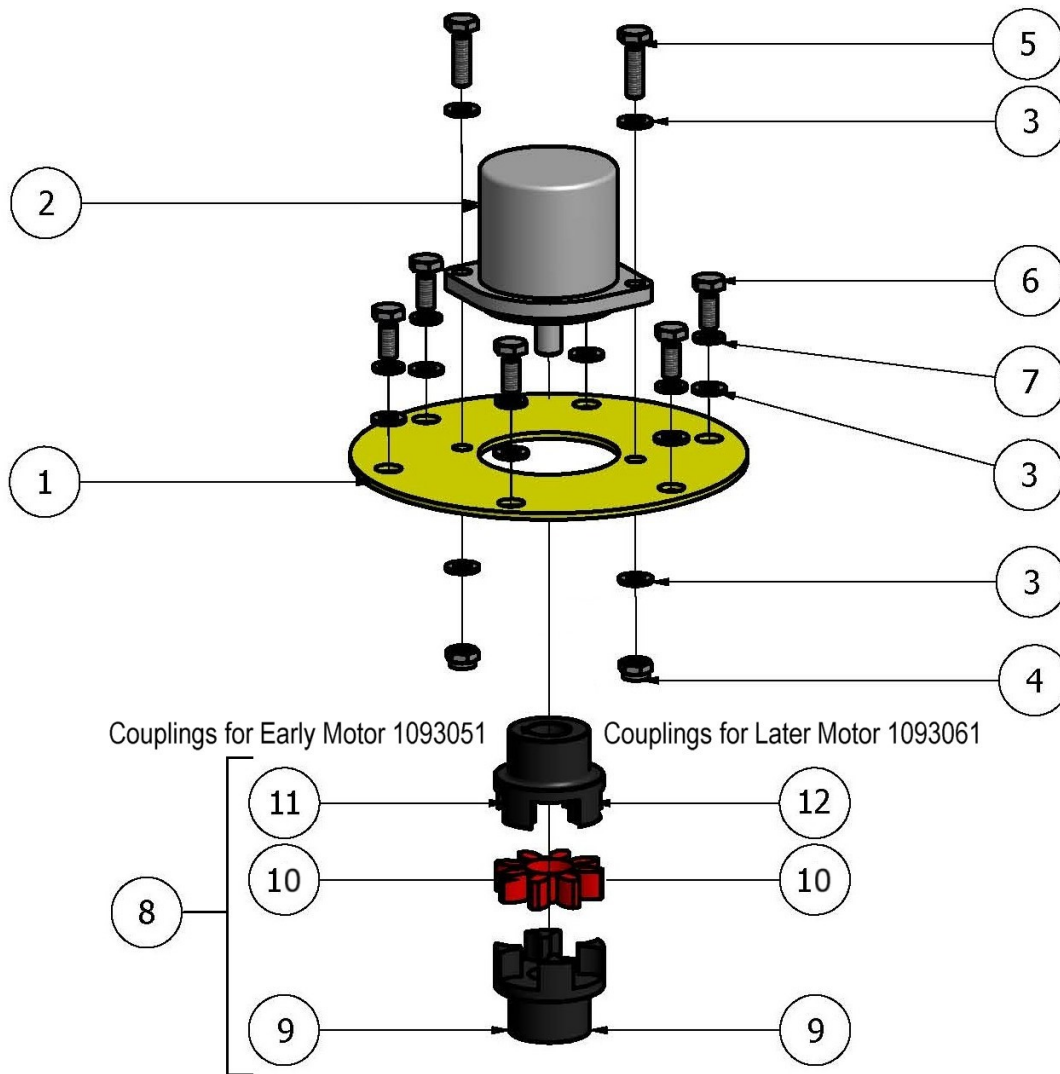
McCONNEL

Module(s): 1093700

REF.	QTY.	PART No.	DESCRIPTION
		1093701	ROTOR ASSEMBLY - RIGHT
1	1	1093009	BEARING HOUSING
2	1	1093010	SPACER BEARING
3	1	1093011	ROTOR SHAFT
4	1	1093012	LOCKNUT
5	1	1093013	BLADE CLAMP
6	1	1093014	LOCKNUT
7	1	1093015	RETAINER RING
8	1	1093016	COVER PLATE
9	3	1093017	COUNTERSUNK SCREW
10	1	1093007	BLADE (BOTTOM RIGHT)
11	1	1093008	BLADE (TOP RIGHT)
12	2	1093018	BALL BEARING
13	1	1093019	KEY
14	8	1093020	WASHER
15	4	1093021	HEX NUT
16	4	1093022	HEX HEAD BOLT
17	1	1093023	WRENCH (BLADE LOCK NUT)
18	1	1093024	WRENCH (TOP LOCK NUT)
19	1	1093025	WRENCH (BLADE CLAMP)



REF.	QTY.	PART No.	DESCRIPTION
		1093702	CW MOTOR ASSEMBLY
1	1	1093049	MOTOR MOUNTING FLANGE
2	1	1093050 *	MOTOR (CW) Early Builds
	1	1093060 **	MOTOR (CW) Late Builds
3	10	1093032	WASHER
4	2	1093052	NUT
5	2	1093053	BOLT
6	6	1093054	BOLT
7	6	1093055	SPRING WASHER
8	3	1093056	COUPLING c/o:
9	1	1093058	COUPLING (BLADE END)
10	1	1093059	HABIX STAR
11	1	1093062 *	COUPLING (MOTOR END)
12	1	1093063 **	COUPLING (MOTOR END)

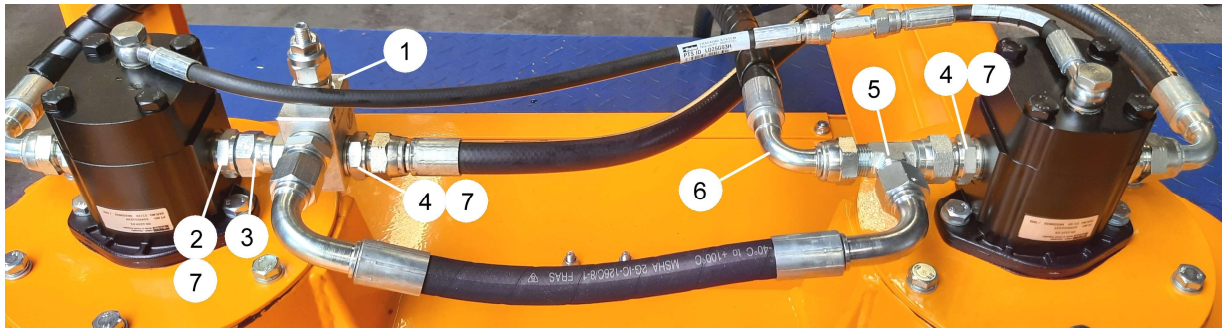


REF.	QTY.	PART No.	DESCRIPTION
		1093703	A/CW MOTOR ASSEMBLY
1	1	1093049	MOTOR MOUNTING FLANGE
2	1	1093051 *	MOTOR (A/CW) Early Builds
	1	1093061 **	MOTOR (A/CW) Late Builds
3	10	1093032	WASHER
4	2	1093052	NUT
5	2	1093053	BOLT
6	6	1093054	BOLT
7	6	1093055	SPRING WASHER
8	3	1093056	COUPLING c/o:
9	1	1093058	COUPLING (BLADE END)
10	1	1093059	HABIX STAR
11	1	1093062 *	COUPLING (MOTOR END)
12	1	1093063 **	COUPLING (MOTOR END)

PRESSURE VALVE MODULE

McCONNEL

Module(s): 1093706



		1093706	PRESSURE VALVE MODULE
1	1	1093064	PRESSURE VALVE
2	1	1093065	ADAPTOR
3	1	1093066	ADAPTOR
4	2	8581180	ADAPTOR
5	1	1093067	ADAPTOR TEE
6	2	1093068	SWEPT ADAPTOR
7	3	8650104	BONDED SEAL



McConnel Limited, Temeside Works, Ludlow, Shropshire SY8 1JL. England.
Telephone: 01584 873131. Facsimile: 01584 876463. www.mcconnel.com