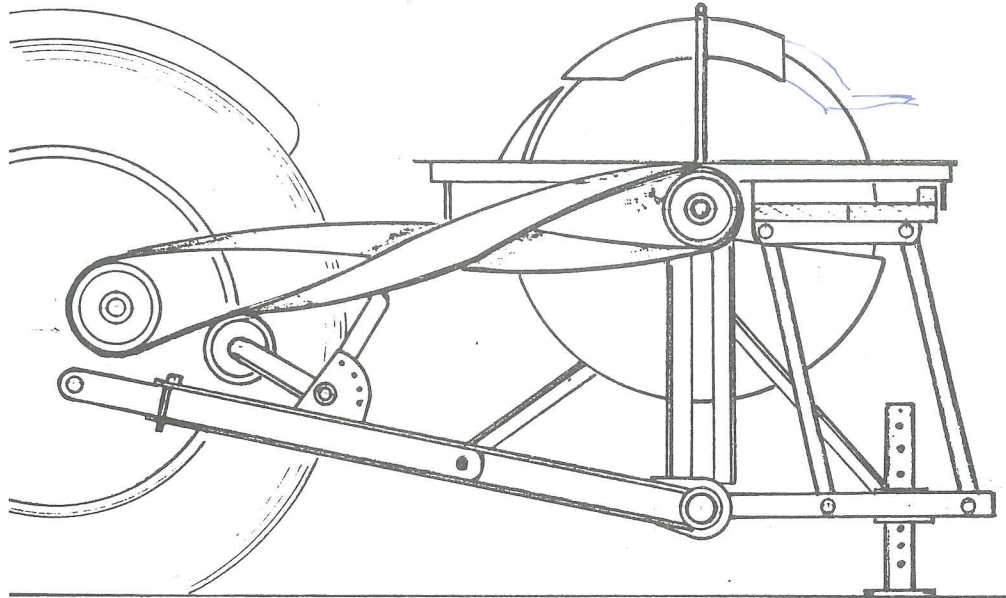


**SAWBENCHES  
TRACTOR MOUNTED  
MARK 1 DB, 2 DB, 3 DB**



McCONNEL MARK 2DB SAWBENCH 1948 -1952

**MARK 1 DB**

Introduced on 20.9.48 and superseded by Mark 2 DB on 3.12.1948. Only 30 of these machines were made. Serial Numbers were DB 100 to DB 129. All were fitted to David Brown Cropmaster tractors.

**Recognition:**

Easily recognisable from all other McConnel sawbenches because it had saw flanges at each end of the sawshaft; the blade being fitted to the right hand end and used in conjunction with the swinging table for logging, and transferred to the left hand end and used in conjunction with the portable ripping table for ripping.

**Spares:**

No spares are available, but the 30" G.P. Sawblade (Pt. No: 14-67-075) will fit this machine.

**MARK 2 DB** See illustration above

Manufactured from 3.12.1948 to 12.12.1952. Serial Numbers between DB 2/ 130 and DB 2/ 449. Painted red and made for D.B. Cropmaster tractors.

**Recognition:**

The sawbench frame has two longitudinal channels which run parallel to and inside the tractor's draft links. The channels are cross braced with diagonal stays which give a lattice work effect. The channels are pin fitted to the ball end of the draft links and clamped at the forward end. The bench is raised on the draft links only, the tractor top link not being used. Drive is by a 4" wide crossed flat belt from the tractor pulley to the 6" dia. pulley on the saw-

shaft. The machine has a 3'6" long swinging table for logging, and a 3'10" x 1'6.3/4" detachable table for ripping which is fitted over the logging table when in use and stowed over the lattice section of the frame when not required.

**Spares:**

Users requiring spares for these machines can obtain a spares list on loan from the manufacturers for identification purposes. Although efforts will be made to supply spares, no guarantee of delivery can be given and prices will be quoted on application.

**Blades:**

30" General Purpose - Part No: 14-67-075

**MARK 3 DB**

This is a version of the Mark 2 DB made for the David Brown VAK 1a tractor. Production ran concurrently with the Mark 2 DB and serial numbers were concurrent.

**Recognition:**

Differed from the Mark 2 DB principally in two respects:-

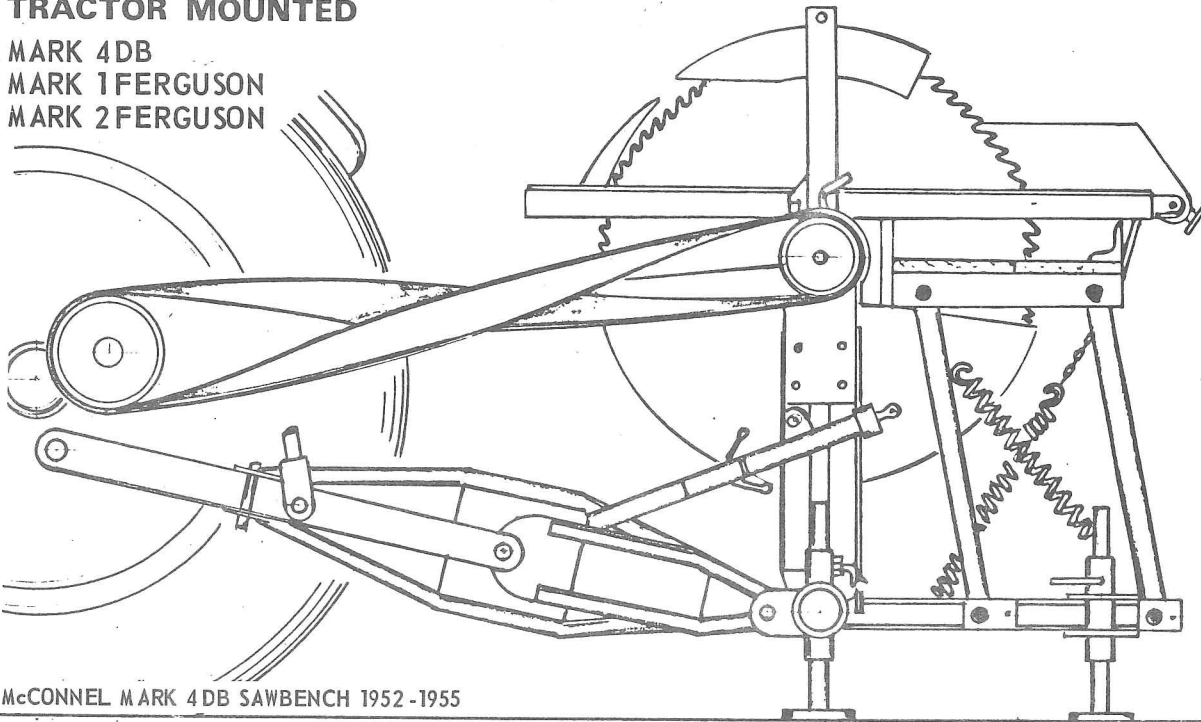
1. The channel and lattice section of the frame was replaced by 2.1/2" dia. tubes, tapering inwards at the correct angle for the draft links.
2. The distance between the Saw bearing centres is 37.3/4" compared with 27.5/8" on the Mark 2.

**Spares:**

As for Mark 2 DB machines.

**SAWBENCHES  
TRACTOR MOUNTED**

MARK 4DB  
MARK 1FERGUSON  
MARK 2FERGUSON



McCONNEL MARK 4DB SAWBENCH 1952-1955

MARK 4 DB *see illustration above*

Manufactured from 18.12.1952 until 10.6.1955.  
Serial Numbers DB 4/ 451 to DB 4/ 499.

Painted red and made to suit David Brown tractors.  
Recognition:

This machine is basically the same as the Mark 2 Ferguson Sawbench described in a later paragraph but differed in the following respects:-

1. The sawbench frame is attached to the tractor by means of a special diagonal shaped tubular lift frame.
2. The tractor top link is fitted between the tubular lift frame and the sawbench frame to act as a belt tensioner.

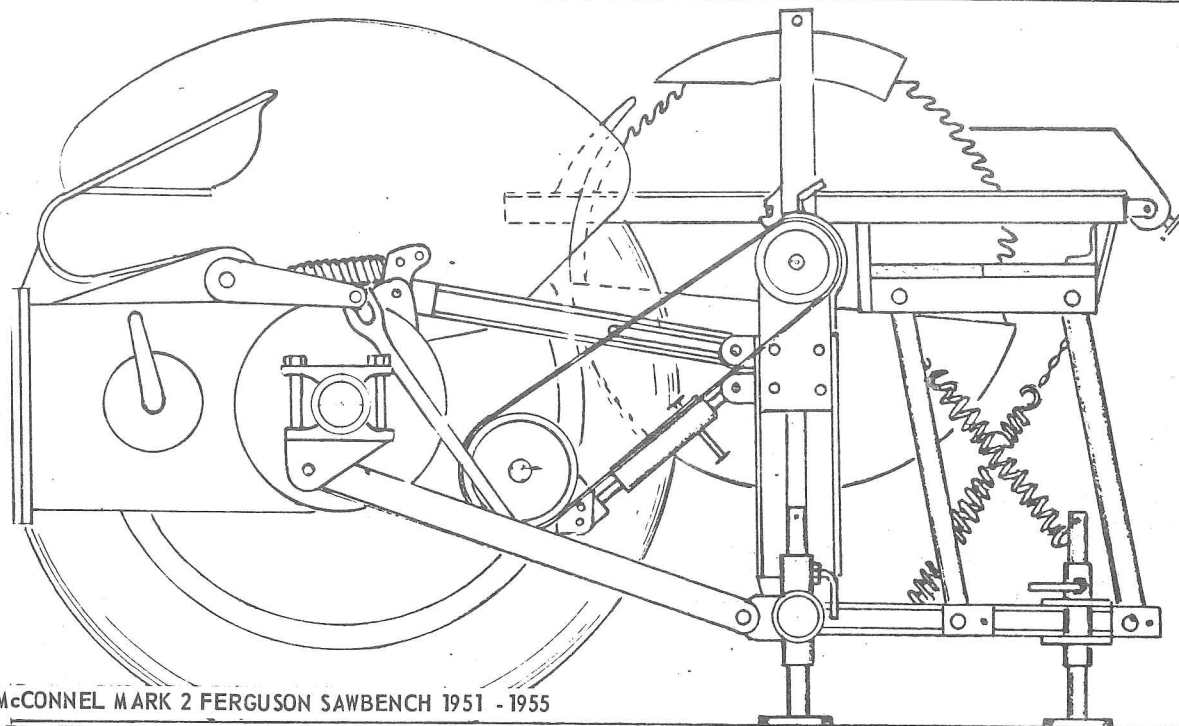
3. The distance between the Saw bearing centres is 27.5/8".

4. The Sawshaft pulley is 6" diameter.

Spares:

The only spares available are as follows:-

Part No.	Description
06-03-224	Ball Bearings for Sawshaft
14-58-026	Belt - 4" x 4 ply x 10'0.1/2" long
14-67-075	Sawblade - 30" General purpose.



McCONNEL MARK 2 FERGUSON SAWBENCH 1951 - 1955

MARK 1 FERGUSON

Manufactured from 7.5.1951 to 19.12.1951  
Serial Numbers 1F/101 to 1F/131

No details of these machines, or spare parts, are available, but 30" G.P. Sawblades (Pt. No. 14-67-075) were fitted.

MARK 2 FERGUSON *see illustration above*

Manufactured from 19.12.1951 to 21.10.1955  
Serial Numbers 2F/132 to 2F/366

Painted grey and made for Ferguson tractors.

Recognition:

Attached directly to tractor draft links. A special channel section slotted top link is

-continued



# SAWBENCHES TRACTOR MOUNTED

MARK 2 FERGUSON  
ALL WORK SAWS  
Mark 6 and 7

## MARK 2 FERGUSON - continued

used instead of the tractor top link; this is to allow for belt take up when the bench is raised for travelling. A turnbuckle is fitted between the tractor pulley gearbox and the saw bearing assembly for belt tensioning.  
Swinging Table, 3'6" long for logging.  
Detachable Table 3'10" x 18.3/4" for ripping.  
Saw Bearing centres 38.1/4"

Saw Pulley 8" dia. x 6" face, may be Cast Iron or pressed Steel.

Spares:

The only spares now available are:-

Part No.	Description
14-48-088	Flat Belt, 4" x 4 ply x 4'11.1/2"
14-67-075	Sawblade, 30" G.P.

## ALL WORK SAW - MARK 6 AND 7 - see illustration with Parts List

Introduced on 8.6.1955 and still in production. Serial Numbers commenced at 1001  
Mark 6 is painted green and will fit all tractors. Mark 7 is painted red and is made exclusively for David Brown tractors.

Recognition:

Pin fitted to the tractor three point linkage and offset to right hand side of tractor. A 46" x 31.1/2" sliding ripping table is fitted. Drive is by telescopic universal joint from the

tractor P.T.O. to a countershaft, and then by an endless flat belt to the sawshaft which carries a 30" G.P. Sawblade.

Spares:

All spare parts quoted on parts lists are currently available, although there may be a slight delay in the supply of certain items which appeared in the early parts lists and which have now been superseded by alternative designs on current models.

## MODIFICATIONS AFFECTING INTERCHANGEABILITY

Date	Modification	From Ser: No:
29-12-58	Countershaft Guard, Pt.No. 14-67-265 added. Telescopic Guards incorporated on Universal Drive Shaft.	1980
1-9-59	Top Saw Guard redesigned to comply with new regulations. Current design guard will fit all of the early machines.	2183
18-2-60	Bottom Saw Guard altered to comply with safety regulations. Current design will fit all machines.	2231
10-3-60	Totally enclosed Universal Drive Shaft.	2281
15-2-61	'Overcentre' Belt Trip replaced by a Belt 'Throw-off'. Parts not interchangeable. All screw threads changed from BSF to UNF	2649

Reference to the table below shows which parts are required, or need modification, when converting from one tractor to another. Linkage Pin Sleeves (14-67-096) and Top Hitch Pin Sleeve

## SPARES

The following parts which have now been discontinued in production are still available as spares.

Old Part No.	New Part No.	Description
W.1500	14-67-083	Top Saw Guard Assembly. Machines before Ser: No: 2183 should be fitted with current type to conform to safety regulations.
W.1703	14-67-267	Bottom Saw Guard - see note re Machines before Ser: No: 2183 above.
W.1601	14-67-046	Operating lever
W.1602	14-67-044	{ Side Plate - rear Side Plate - front
W.1603		
W.1608	14-67-047	Pivot Pin
W.1611	14-67-095	Distance Piece
W.1612	01-13-006	5/8" BSF Locknut
W.1410	01-43-006	5/8" BSF Aeronut
W.1615	14-67-045	Support Bracket.

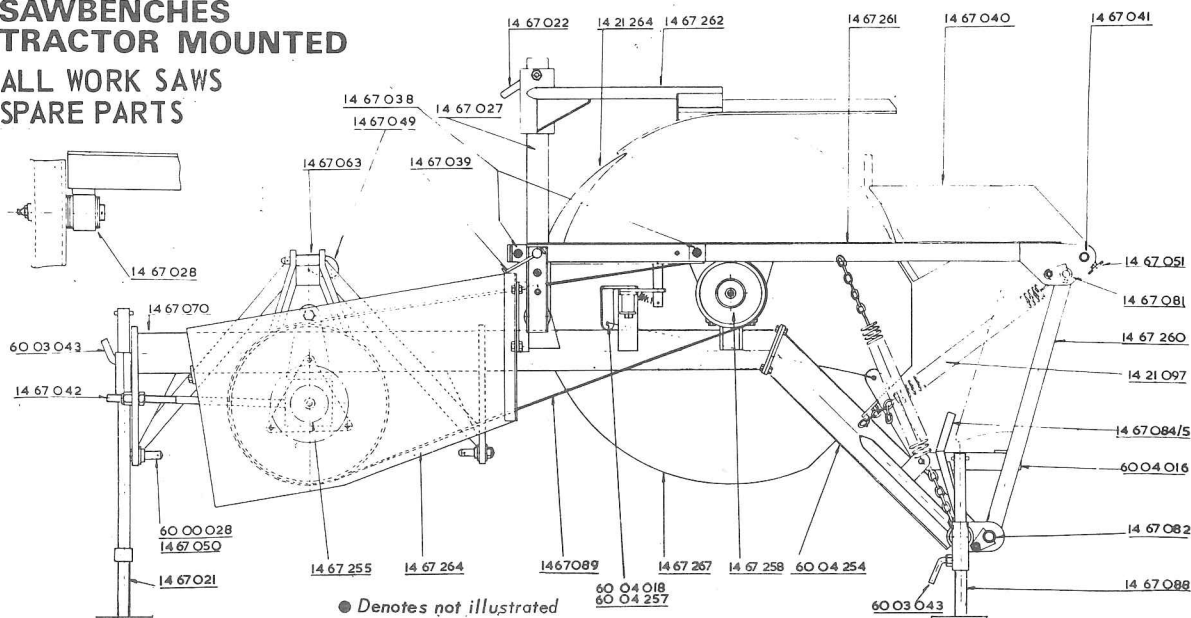
(14-67-063) are always supplied initially. Splined Adaptor (68-01-066) is only supplied for tractors with a 1.1/8" dia. P.T.O.

Tractor	Linkage Pins	Linkage Pin Sleeves 14-67-096	Top Hitch Pin Sleeves 14-67-063	Splined Adaptor 68-01-066
Ferguson TE 20	60-00-028	Not required	Not required	Required
Ferguson FE 35	60-00-028	Not required	Not required	Not required
Ferguson '65'	60-00-028	Not required	Not required	Not required
Fordson Major	60-00-028	Required	Required	Not required
Ford Dexta	60-00-028	Not required	Not required	Not required
David Brown	60-00-028	Not required	Not required	Not required
Nuffield	60-00-028	Required	Required	Not required
International Supers	60-00-028	Required	Required	Not required
International B.250/275	60-00-028	Required	Required	Not required
International B.414	60-00-028	Required	Required	Not required
Allis Chalmers 'B'	14-67-050	Not required	Not required	Required
Allis Chalmers D.270	60-00-028	Not required	Not required	Not required
Massey Harris	60-00-028	Required	Required	Not required

Fittings are available for other tractors with P.T.O. and Hydraulic Lift. Details on application

# SAWBENCHES TRACTOR MOUNTED

## ALL WORK SAWS SPARE PARTS



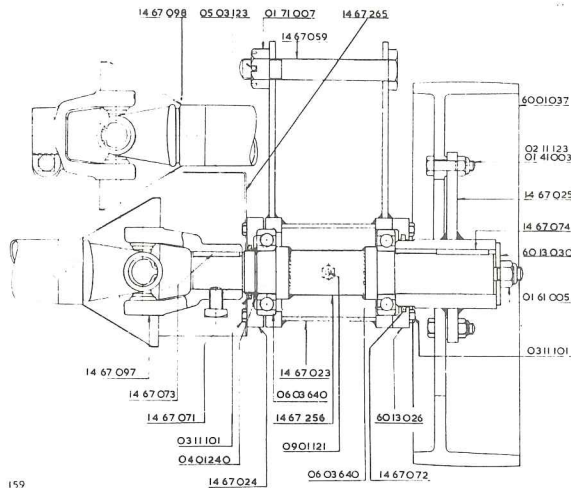
Old Part No.	New Part No.	No. Off	Description
W.1100	14-67-251	1	MAIN FRAME, bare, comprising:-
W.1100C	14-67-070	1	. Main Frame, lift end
P.4700B	60-04-254	1	. Main Frame, outer end
● W.1407	02-11-093	4	. 1.1/8" x 3/8" UNF Bolt
	01-41-003	4	. 3/8" UNF Aeronut
W.1400	14-67-077	1	TABLE ASSEMBLY, complete, comprising:-
W.1401	14-67-261	1	. Table Top, bare
● W.1402	14-67-078	2	. Timber Saw Packing, long
● W.1403	14-67-079	2	. Timber Saw Packing, short
● W.1404	14-67-031	2	. Retaining Strip c/w Screws
● W.1405	03-31-163	8	.. 2" x 3/8" UNF Csk Screw
W.1406	14-67-038	4	. Table Travel Stop
● W.1407	*02-11-093	4	. 1.1/8" x 3/8" UNF Bolt
	*01-41-003	4	. 3/8" UNF Aeronut
● W.1408	*01-00-103	4	. 3/8" dia. Flat Washer
	*For 14-67-038		
W.1409	14-67-041	1	. Fence Rail c/w Nut
● W.1410	01-41-006	1	.. 5/8" UNF Aeronut
● W.1411	14-67-037	1	. Slotted Bracket for Fence Rail
● W.1412	*02-11-092	2	. 1" x 3/8" UNF Setscrew
● W.1408	*01-00-103	2	. 3/8" dia. Flat Washer
	*For 14-67-037		
W.1414	14-67-040	1	. Fence c/w Clamp Screw
W.1415	14-67-051	1	.. Clamp Screw
W.1416	14-67-080	1	TABLE LEG, comprising:-
W.1417	14-67-260	1	. Frame only
W.1418	14-67-081	1	. Top Bearing Tube c/w Bolt and Nut
W.1420	14-67-082	2	. Bottom Bearing Tube c/w Bolt and Nut
● W.1419	02-11-083	3	.. 1" x 3/8" UNF Bolt
	01-41-003	3	.. 3/8" UNF Aeronut
W.1500	14-67-083	1	TOP GUARD ASSY, complete
W.1501	14-67-027	1	. Vertical Pillar c/w Bolts and Nuts
● W.1502	02-11-205	1	.. 2.1/2" x 1/2" UNF Bolt
	01-61-005	1	.. 1/2" UNF Nylok Nut
● W.1503	02-11-105	1	.. 1.1/4" x 1/2" UNF Bolt
	01-61-005	1	.. 1/2" UNF Nylok Nut
W.1504	14-67-262	1	. Top Guard, Welded Unit
W.1505	14-67-022	1	. Clamp Screw
REMOTE CONTROL PARTS			
P.4750	60-04-016	1	. Foot Pedal
● P.4751	01-00-107	1	. 3/4" dia. Flat Washer
● P.4752	05-03-125	1	. 1.1/2" x 3/16" Splitpin
P.4753	60-04-018	1	. Wire Rope, complete
P.4754	60-04-259	1	. Belt Trip
● P.4755	60-04-017	1	. Spring

Old Part No.	New Part No.	No. Off	Description
REMOTE CONTROL PARTS -continued			
W.1610	14-67-042	1	. Tension Bar, complete
● W.1612	01-12-006	1	.. 5/8" UNC Locknut
● W.1410	01-42-006	1	.. 5/8" UNC Aeronut
● W.1614	14-67-043	1	.. Pivot Pin c/w Washer and Splitpin
GUARDS			
W.1701	14-67-264	1	. Pulley Guard
● W.1419	02-11-083	4	. 1" x 3/8" UNF Bolt
	01-41-003	4	. 3/8" UNF Aeronut
W.1703	14-67-267	1	. Bottom Saw Guard
● W.1419	02-11-083	4	. 1" x 3/8" UNF Bolt
	01-41-003	4	. 3/8" UNF Aeronut
W.1705	14-67-084	1	. Logging Guard, wide
W.1706	14-67-085	1	. Logging Guard, narrow
W.1707	05-01-125	4	.. 3/16" dia Grooved Pin
ATTACHMENT PINS AND SLEEVES			
W.1801	60-00-028	2	. Tractor Linkage Pin, 7/8" dia.
W.1802	14-67-050	2	. Tractor Linkage Pin, 1" dia.
● 14-67-096		2	.. Linkage Pin Sleeve
● W.1410	01-41-006	2	.. 5/8" UNF Aeronut (if BSF use Pt: 01-43-006)
● W.1805	01-00-106	2	.. 5/8" dia Flat Washer
W.1806	14-67-049	1	. Top Hitch Pin, complete
W.1807	14-67-063	1	.. Spacer Tube
● W.1808	04-31-105	1	.. Spring Cotter
● W.1605	05-03-083	2	.. 1" x 1/8" Splitpin
● W.1810	14-67-086	1	.. Attachment Chain
TABLE ROLLERS			
W.1820	14-67-028	2	. Roller
● W.1821	14-67-087	6	. Special Washer
● W.1822	05-03-123	2	. 1.1/2" x 1/8" Splitpin
● W.1823	09-01-121	2	. Grease Nipple
SUPPORT PROPS			
W.1830	14-67-021	1	. Prop - Tractor end, long
W.1831	14-67-088	2	. Prop - Table end, short
● W.1832	05-02-126	3	.. 1.1/2" x 1/4" Grooved Pin
W.1833	60-03-043	3	. Clamp Screw
MISCELLANEOUS			
W.1840	14-21-264	1	. Riving Knife
● W.1604	01-00-105	1	. 1/2" dia. Flat Washer
● W.1842	01-61-005	1	. 1/2" UNF Nylok Nut (if BSF use Pt: 01-43-005).
W.1850	14-67-039	1	. Locking Screw for Table
W.1860	14-67-089	1	. Endless Flat Belt
W.1870	14-21-097	2	. Table Compensating Springs
● W.1880	14-67-052	1	Special Top Link for Allis Chalmers 'B'
● W.1890	14-67-054	1	Stabiliser for David Brown, complete

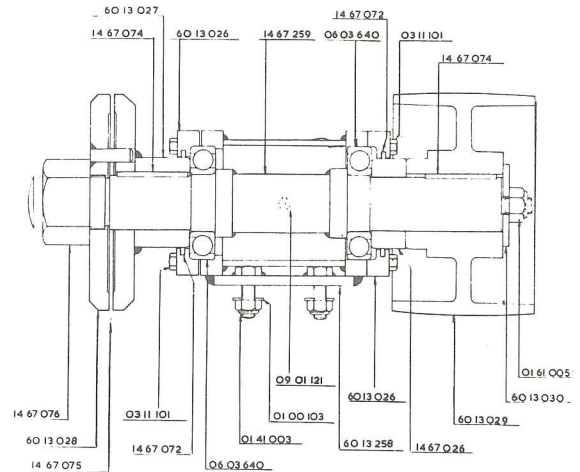
-continued.



**SAWBENCHES  
TRACTOR MOUNTED**  
ALL WORK SAWS  
SPARE PARTS



DRIVE SHAFT BEARING ASSEMBLY



SAWSHAFT BEARING ASSEMBLY

Old Part No.	New Part No.	No. Off	Description
W.1200	14-67-255	1	DRIVE SHAFT BEARING ASSY. complete
W.1201	14-67-023	1	. Bearing Housing
W.1202	14-67-256	1	. Countershaft
W.1203	06-03-640	2	. Ball Bearing
W.1205	04-01-240	1	. Circlip 40 mm, external
W.1206	14-67-024	1	. Cover Plate, P.T.O. end
W.1207	60-13-026	1	. Cover Plate, Pulley end
W.1208	14-67-071	1	. Felt Oil Seal - P.T.O.
W.1209	14-67-072	1	. Felt Oil Seal - Pulley
W.1210	03-11-101	8	. 1.1/4" x 1/4" UNF Setscrew
W.1211	14-67-025	1	. Pulley Hub
W.1212	60-01-037	1	. Flat Pulley, 14" dia.
W.1213	{ 02-11-123	3	. 1.1/2" x 3/8" UNF Bolt
	{ 01-41-003	3	. 3/8" UNF Aeronut
W.1214	60-13-030	1	. Special Washer - Pulley
W.1842	01-61-005	1	. 1/2" UNF Nylok Nut (if BSF use Pt: 01-43-005)
W.1216	14-67-059	1	. 5.1/2" x 3/4" UNF Bolt
W.1217	01-71-007	1	. 3/4" UNF Slotted Nut
W.1218	05-03-123	1	. 1.1/2" x 1/8" Splitpin
W.1823	09-01-121	1	. Grease Nipple
W.1220	14-67-073	1	. 5/16" Key
W.1221	14-67-074	1	. 3/8" Key
W.1225	14-67-265	1	P.T.O. KNUCKLE GUARD
-	* 14-67-097	1	UNIVERSAL SHAFT - SAWBENCH END - Elliptical Section
-	Φ 14-67-098	1	UNIVERSAL SHAFT - 1.3/8" SPLINE - Elliptical Section
-	68-01-066	1	1.3/8" - 1.1/8" SPLINED ADAPTOR.
	*Supersedes W.1222A (14-67-090) - rectangular section bar		
	Φ Supersedes W.1223A (14-67-091) - rectangular section tube.		

Old Part No.	New Part No.	No. Off	Description
W.1300	14-67-258	1	SAW BEARING ASSY, comp.
W.1301	60-13-258	1	. Bearing Housing
W.1302	14-67-259	1	. Saw Shaft
W.1203	06-03-640	2	. Bearing
W.1207	60-13-026	2	. Cover Plate
W.1209	14-67-072	2	. Oil Seal
W.1210	03-11-101	8	. 1.1/4" x 1/4" Setscrew
W.1221	14-67-074	2	. Key
W.1309	60-13-027	1	. Fixed Flange
W.1311	60-13-028	1	. Loose Flange
W.1312	14-67-076	1	. 1.1/2" dia Whit. Nut
W.1313	14-67-026	1	. Distance Sleeve
W.1314	60-13-029	1	. 6" dia. Flat Pulley
W.1214	60-13-030	1	. Special Washer
W.1842	01-61-005	1	. 1/2" UNF Nylok Nut (if BSF use Pt: 01-43-005)
W.1408	01-00-103	4	. 3/8" dia. Flat Washer
W.1318	01-41-003	4	. 3/8" UNF Aeronut
W.1823	09-01-121	1	. Grease Nipple
W.1310	14-67-075	1	. 30" dia. G.P. SAWBLADE

