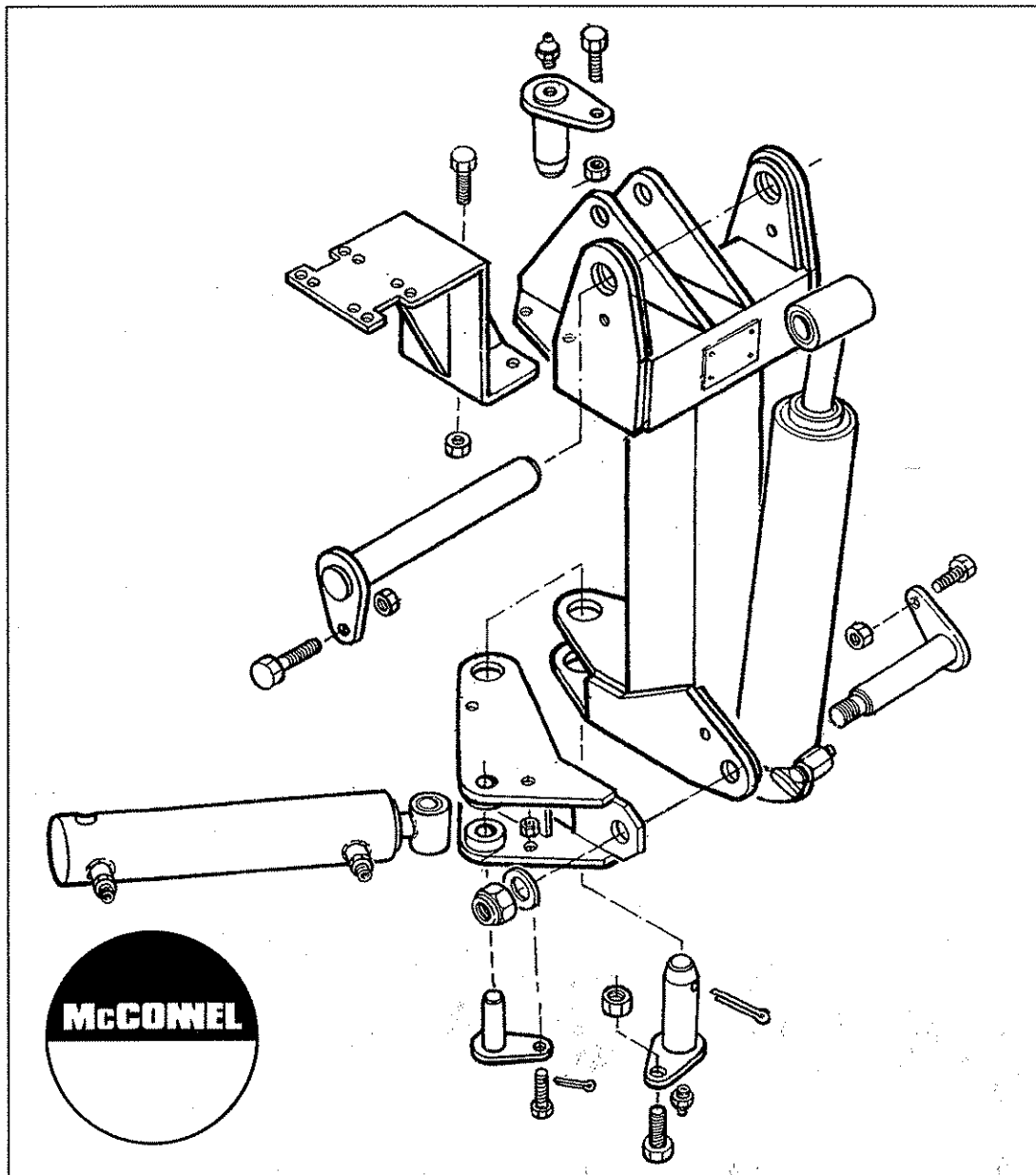


SERIE MAG 500 S

Pièces détachées

Pour les machines à commandes électriques



McCONEL

MANUEL DE PIÈCES DÉTACHÉES

POUR AVOIR LES MEILLEURES PERFORMANCES...

**UTILISER EXCLUSIVEMENT LES PIÈCES DÉTACHÉES
McCONNEL**

Pour être certains d'avoir les dernières améliorations apportées, acheter vos pièces de remplacement chez le fabricant d'origine de votre équipement McConnel Ltd, chez votre concessionnaire ou stockiste local.

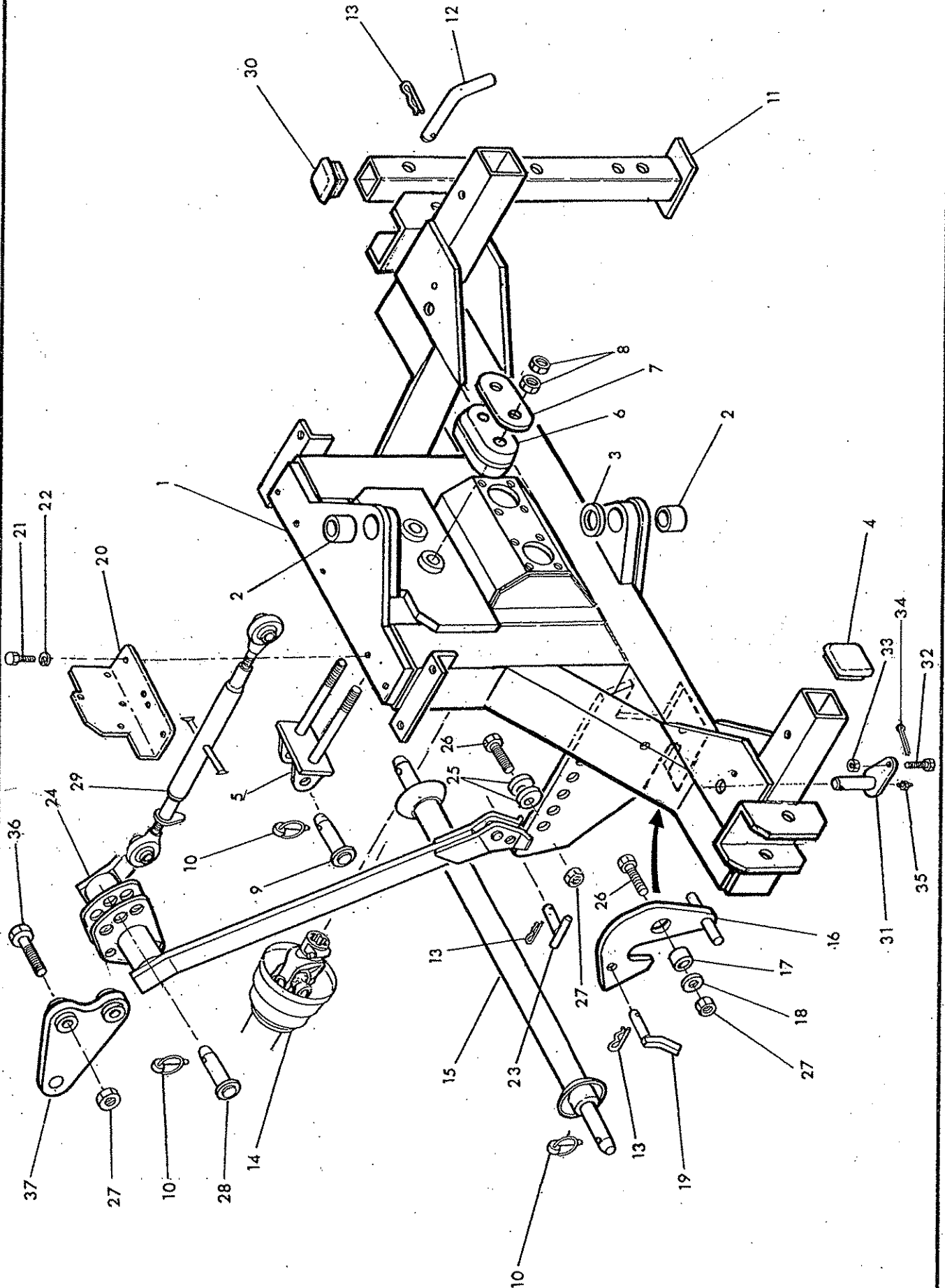
Donner toujours votre type et numéro de série de machine en même temps que le numéro de la pièce.

Des améliorations de conception peuvent avoir modifié certaines pièces listées dans ce manuel - La pièce la plus récente vous sera toujours fournie si elle est interchangeable avec la plus ancienne.

MAIN FRAME



WOODWARD

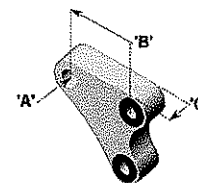


MAIN FRAME & FITTINGS

REF.	QTY.	PART No.	DESCRIPTION
1	1	41522.02	Main Frame
2	2	7016010	Bush
3	1	6001136	Thrust Washer
4	2	41580.01	Plastic Plug
5	1	7560398	Top Hitch Bracket
6	1	7560141	Rubber Damper
7	1	7560130	Reaction Plate
8	4	9113009	Plain Nut
9	1	7560144	Top Link Pin
10	4	0431217	Linch Pin
11	1	41773.01	Stand Leg
12	1	7192023	Leg Pin
13	5	0431105	Spring Cotter
14	1	7136330	P.T.O. Shaft
15	1	42333.02	Hitch Bar
16	1	42591.02	Catch Hook
17	2	42801.01	Spacer Sleeve
18	2	9100108	Plain Washer
19	2	43011.01	Lock Pin
20	1	7450258	Mounting Bracket - Rotor Valve
21	2	9313055	Setscrew
22	2	9100205	Spring Washer
23	2	7192027	Stabiliser Pin
24	1	41915.05	Stabiliser
25	4	7192080	Eccentric Collar
26	4	9213148	Bolt
27	6	9143008	Self-Locking Nut
28	1	7118112	Top Link Pin
29	1	07.584.01	Top Link
30	1	7191108	Plastic Bung
31	1	42911.01	Pin - Slew Base
32	1	42269.01	Bolt
33	1	9143005	Self-Locking Nut
34	1	9501255	Split Pin
35	1	0901121	Greaser
36	2	9213208	Bolt
37	1	7499501	Tongue

McCORMELL STABILISER TONGUES

'A' – Hole diameter
 'B' – Hole center spacing
 'C' – Stabiliser width



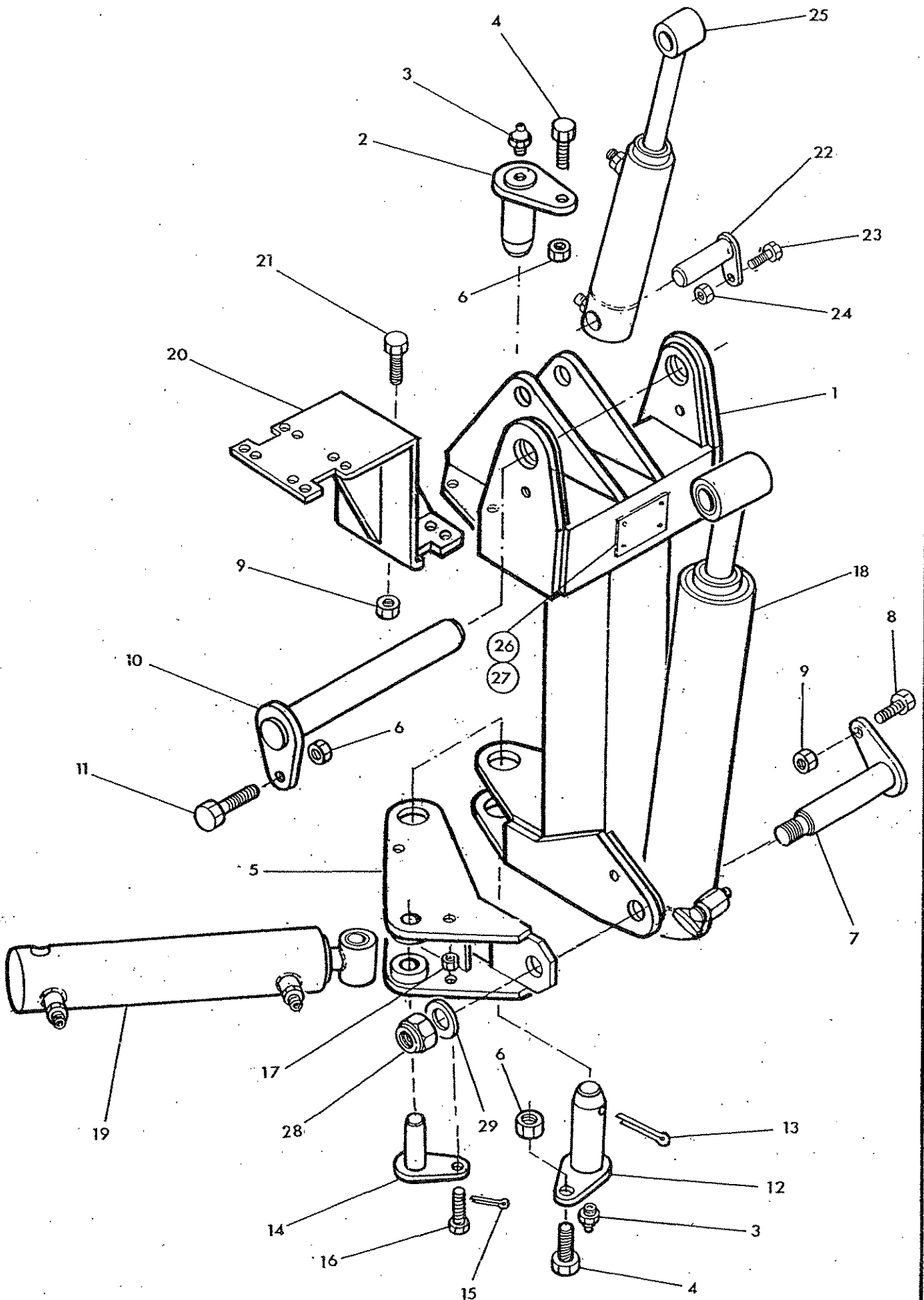
(Dimensions in mm)

Part No.	Description	'A'	'B'	'C'
7499501	Tongue: Standard – Cat. 2	27	107	45
7499500	Tongue: Special – Cat. 2 narrow	27	107	35
7499502	Tongue: Special – Cat. 2 long	27	217	45
7499503	Tongue: Special – Cat. 3 long	32	217	45
7499504	Tongue: Special – Cat. 1	19.5	107	35
7499505	Tongue: Special – Cat. 2 for Case TX tractors	25	120	50
7499506	Tongue: Special – Cat. 3	32	107	45
7499507	Tongue: Special – Cat. 3 narrow	32	107	30
7499508	Tongue: Special – for some Ford tractors	28.6	107	45
7499262	Tongue: Special – Cat. 2 extra long for Aebi	27	260	45
7499510	Tongue: Special – Cat. 2	27	107	40

PILLAR



McCOMBS





McCOMEL

Ref Part No Qty Description

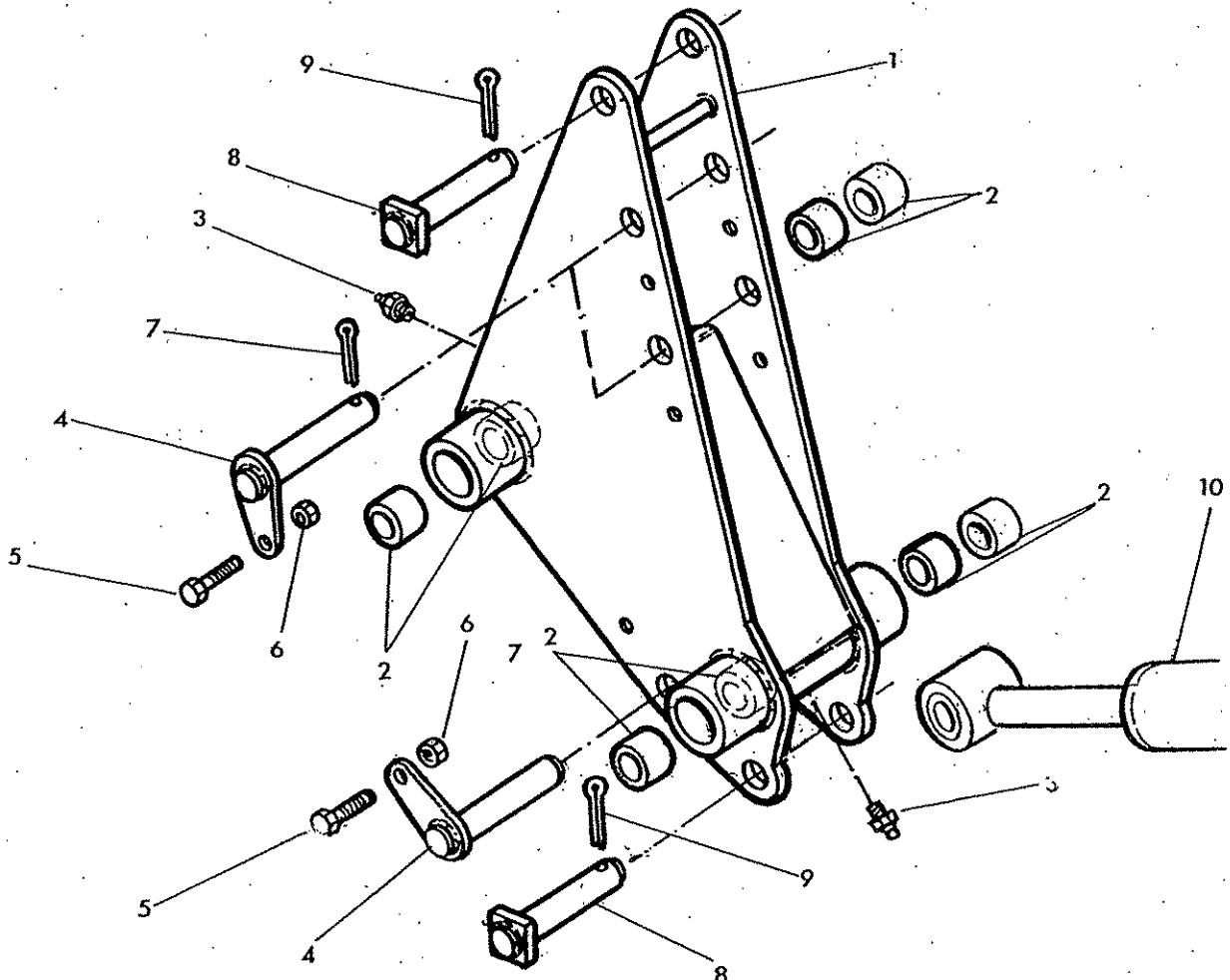
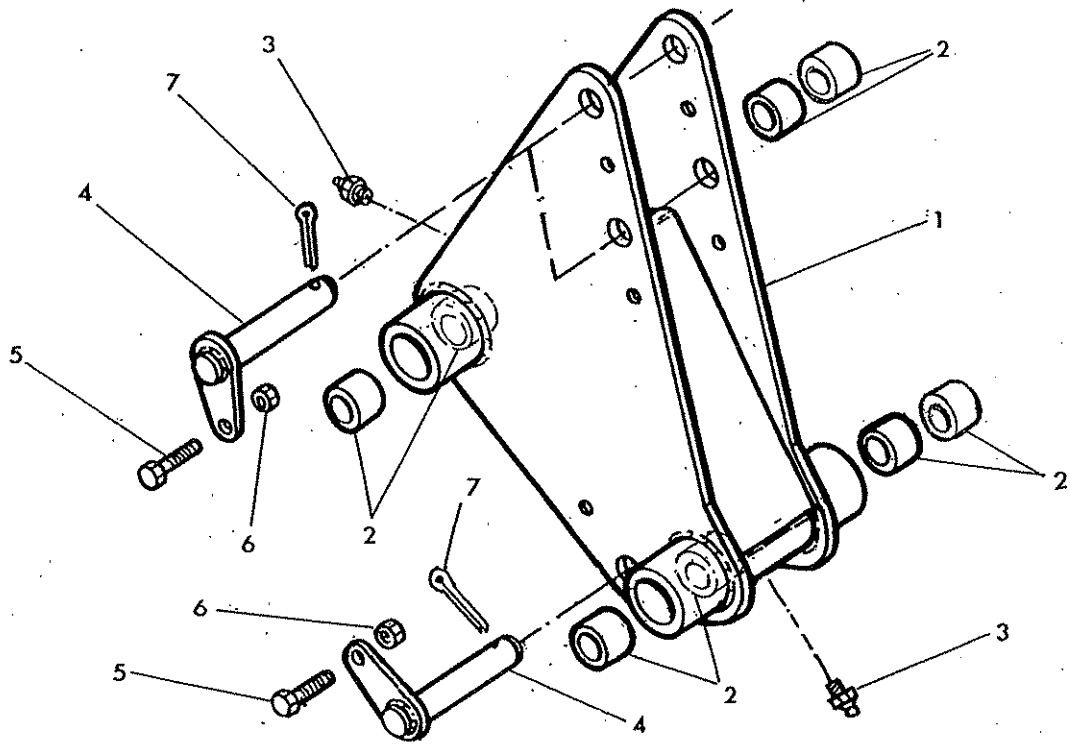
PILLAR AND FITTINGS

1	41525.02	1	Pillar	
2	41555.01	1	Pivot pin - pillar top	
3	09 01 121	2	Greaser	
4	93 13 087	2	Bolt	
5	42023.03	1	Slew bracket	
6	91 43 007	3	Self locking nut	
7	42805.01	1	Pivot pin - lift ram base	
8	92 13 096	1	Bolt	
9	91 43 006	3	Self locking nut	
10	41556.01	1	Pivot pin - rocker	
11	92 13 117	1	Bolt	
12	41555.02	1	Pivot pin - pillar bottom	
13	95 01 507	1	Split pin	
14	42911.02	1	Pivot pin - slew rod	
15	95 01 255	1	Split pin	
16	42269.02	1	Setscrew	
17	91 43 005	1	Self locking nut	
18	42095.02	1	Lift ram assembly	
19	41565.03	1	Slew ram assembly	
20	41508.03	1	Valve mounting bracket	} E models only
21	92 13 086	2	Bolt	
22	75 60 064	1	Pin compensator ram base	} AHC only
23	92 13 065	1	Bolt	
24	91 43 005	1	Self locking nut	
25	75 60 356	1	Compensator ram	
26	13 35 246	1	Serial number plate	
27	71 03 230	4	Pop rivet	
28	91 43 009	1	Self locking nut	
29	91 00 109	1	Plain washer	

ROCKERS



McCOMEL





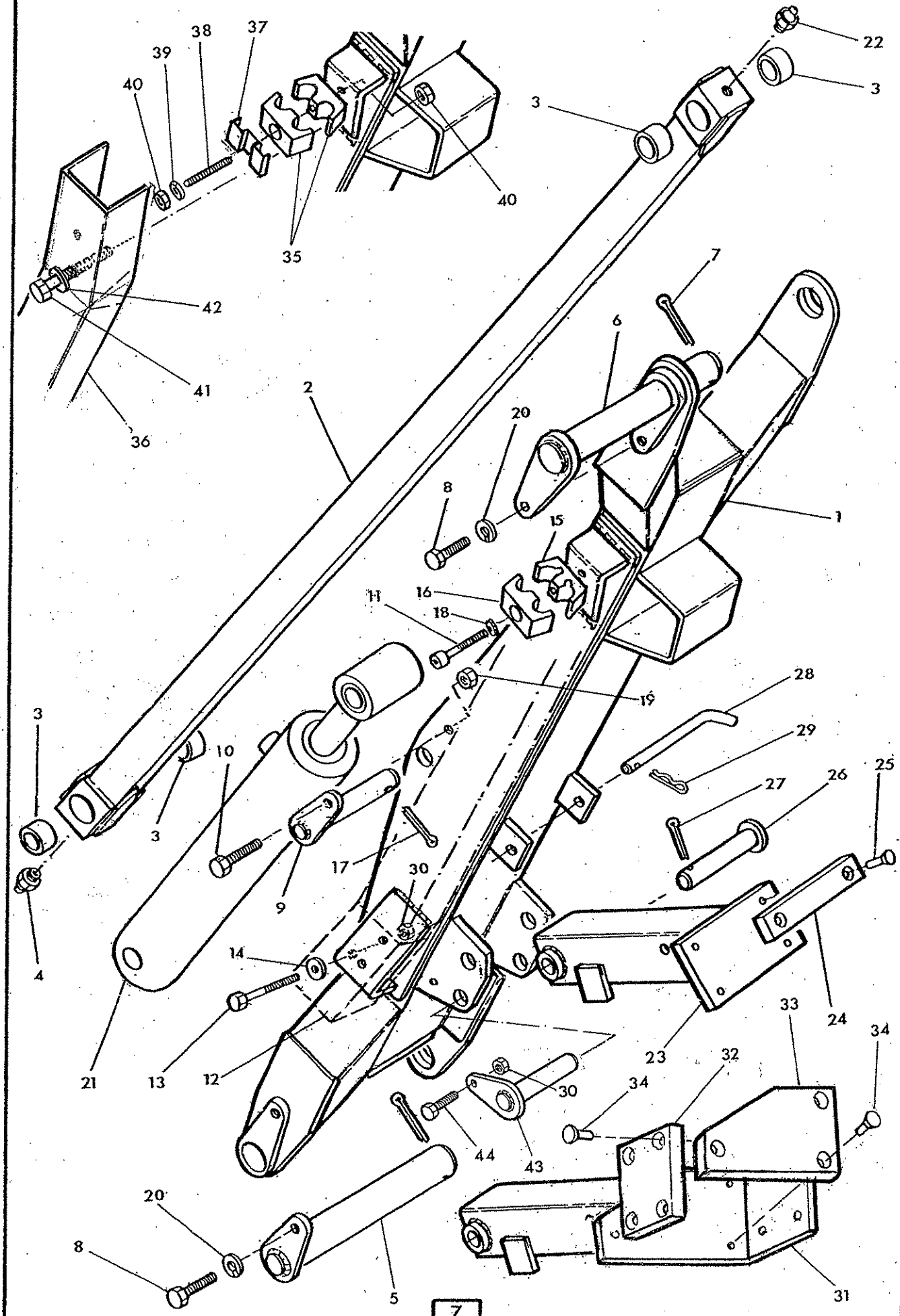
Ref	Part No	Qty	Description
			ROCKER - NON AHC
1	71 93 330	1	Rocker
2	72 13 023	8	Bush
3	09 01 121	2	Greaser
4	41694.01	3	Pin
5	93 13 065	3	Setscrew
6	91 43 006	3	Self locking nut
7	05 03 166	3	Split pin

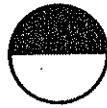
Ref	Part No	Qty	Description
			ROCKER - AHC
1	71 95 300	1	Rocker
2	72 13 023	8	Bush
3	09 01 121	2	Greaser
4	41694.01	3	Pin
5	93 13 065	3	Setscrew
6	91 43 006	3	Self locking nut
7	05 03 166	3	Split pin
8	71 95 003	2	Pin compensator ram rod
9	95 01 406	2	Split pin
10	75 60 356	1	Compensator ram

MAIN ARM



McCOMEL





Ref	Part No.	Qty	Description
-----	----------	-----	-------------

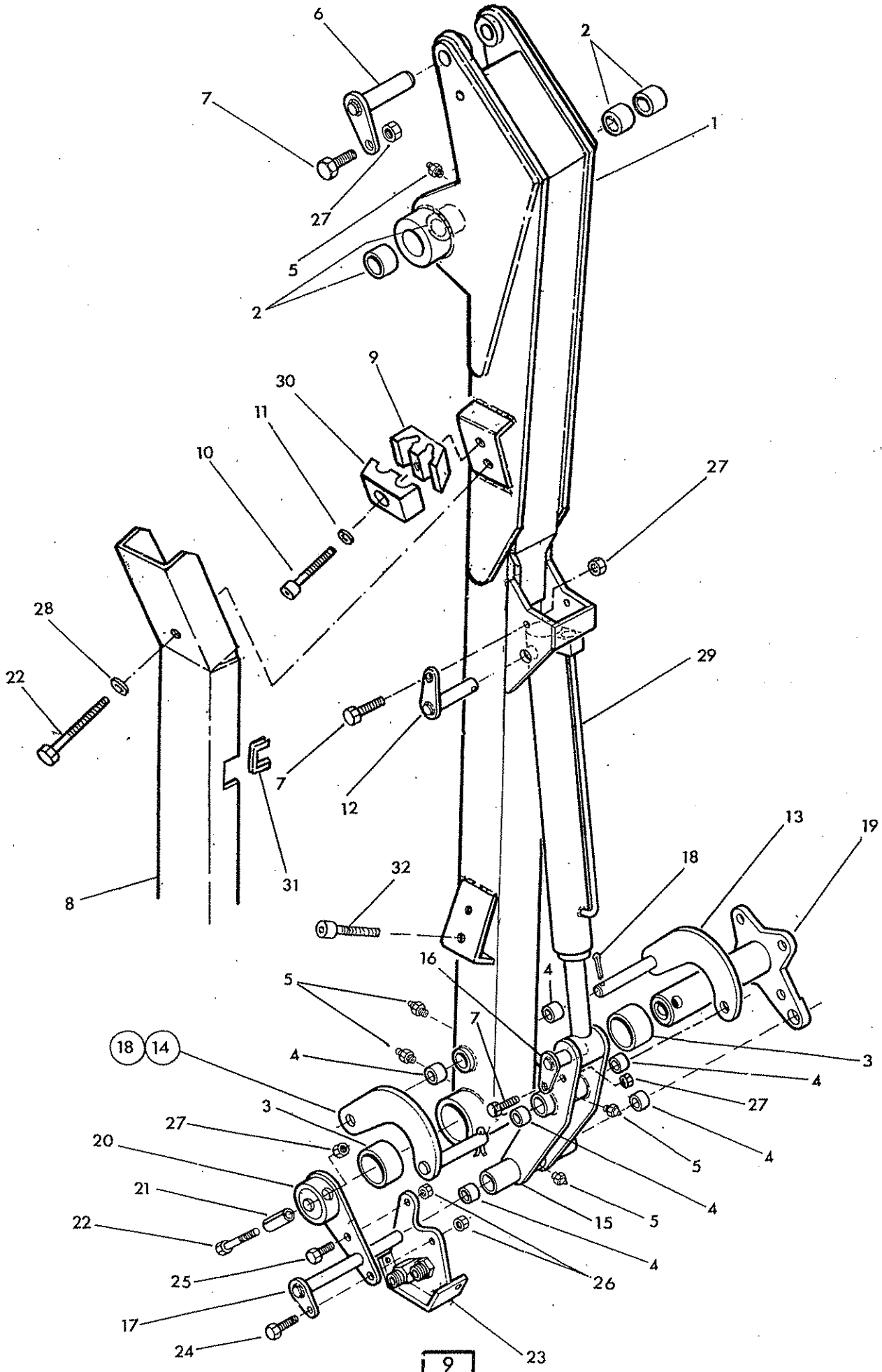
MAIN ARM

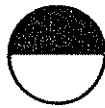
1	41597.06	1	Main arm		
2	41662.02	1	Tension link		
3	60 12 032	4	Bush		
4	09 01 121	1	Greaser		
5	41686.01	1	Pivot pin - main arm		
6	41687.01	1	Pivot pin - dipper arm		
7	95 01 509	2	Split pin		
8	93 13 087	2	Setscrew		
9	41688.01	1	Pivot pin - reach ram rod		
10	93 13 076	1	Setscrew] Std Arm	
11	92 43 154	2	Capscrew		
12	41665.02	1	Hose guard		
13	92 13 165	2	Bolt		
14	91 00 105	2	Plain washer		
15	06.430.19	2	Hose clamp lower		
16	42024.06	1	Hose clamp upper - 1 pair		
17	05 03 166	1	Split pin		
18	91 00 404	2	Shakeproof washer		
19	91 43 006	1	Self locking nut		
20	91 00 207	2	Spring washer		
21	71 93 334	1	Reach ram		
22	09 01 124	1	Greaser		
23	43021.01	1	Transport prop] Std	
24	10 75 041	2	Pad		
25	10 75 047	4	Countersunk rivet] Arm	
26	43023.01	1	Pin - prop pivot		
27	95 01 406	1	Split pin		
28	43020.01	1	Pin - prop - stowage		
29	04 31 105	1	Spring cotter		
30	91 43 005	4	Self locking nut		
31	43021.04	1	Transport prop] Midcut	
32	43091.02	1	Pad		
33	43091.01	1	Pad		
34	10 75 047	7	Countersunk rivet		
35	42024.06	2	Hose clamp		
36	41665.14	1	Hose guard		
37	43095.01	2	Hose clip		
38	42198.04	2	Stud		
39	91 00 104	2	Spring washer		
40	91 13 004	4	Plain nut		
41	92 13 205	2	Bolt		
42	91 00 105	2	Plain washer		
43	75 60 064	1	Pin - comp. ram base] AHC only
44	92 13 065	1	Bolt		

DIPPER ARM

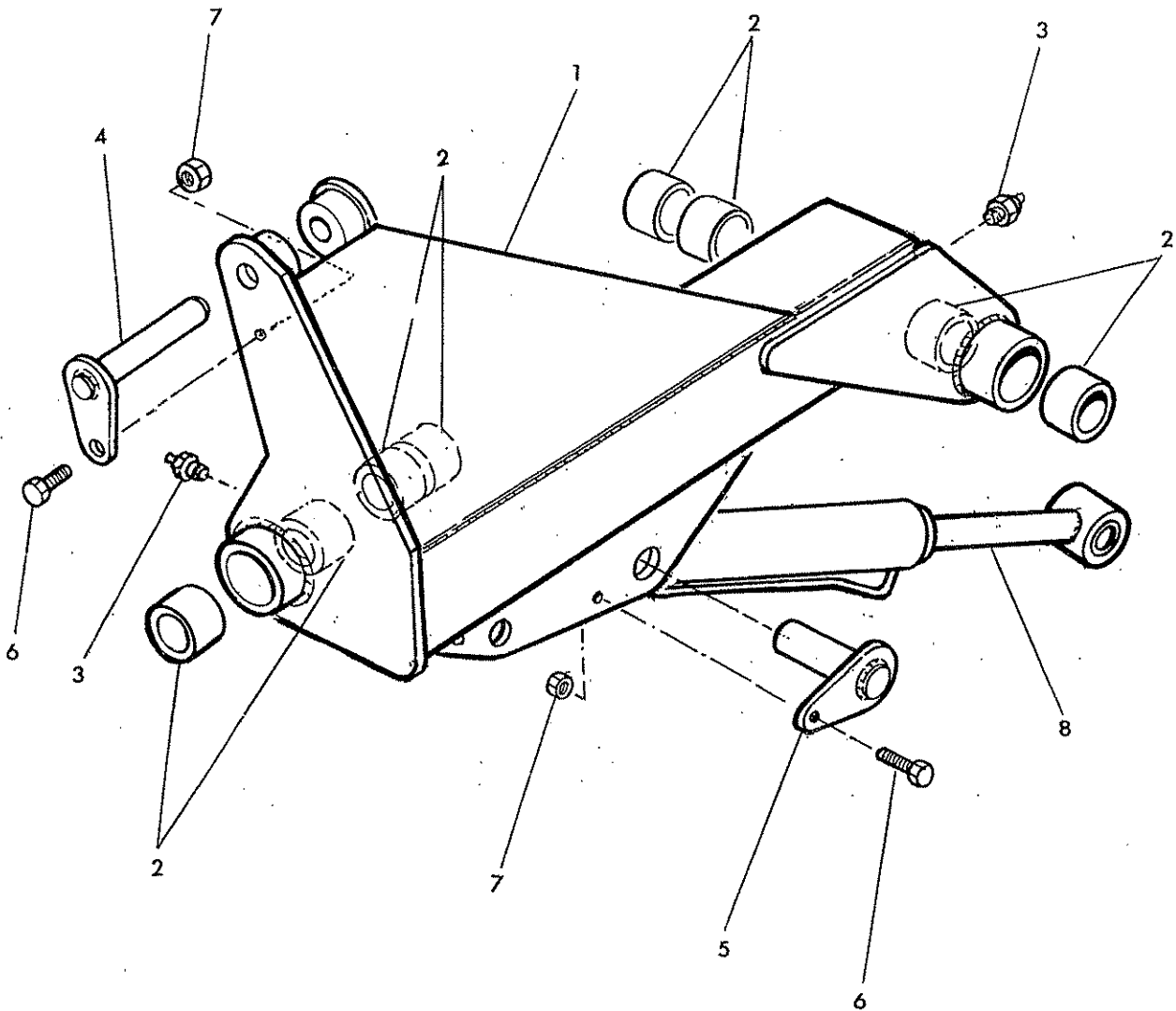


McCONEL





Ref.	Part No.	Qty.	Description
DIPPER ARM AND FITTINGS			
	41649.02	1	Dipper arm
2	72 13 023	4	Bush - Dipper pivot
3	71 36 035	2	Nylon head bush
4	41690.01	6	Bush
5	09 01 121	5	Greaser
6	41692.01	1	Pin - Tension link
7	93 13 075	3	Setscrew
8	41665.04	1	Hose guard
9	06.430.19	1	Hose clamp lower
10	92 43 154	1	Capscrew
11	91 00 404	2	Shakeproof washer
12	41691.01	1	Pin - Angle ram base
13	74 50 251	1	Radius arm front
14	74 50 250	1	Radius arm rear
15	74 50 252	1	Slave link
16	41693.01	1	Pin - Angle ram rod
17	71 92 009	1	Pin - slave link
18	95 01 406	4	Split pin
19	71 92 308	1	Head pivot tube
20	71 92 316	1	Jaw plate
21	04 23 548	1	Spring dowel
22	92 13 185	3	Bolt
23	71 95 303	1	Hose junction bracket
24	02 11 146	1	Bolt
25	02 11 126	1	Bolt
26	01 41 006	2	Self locking nut
27	91 43 005	4	Self locking nut
28	91 00 105	2	Plain washer
29	75 60 344	1	Angling ram
30	71 93 063	1	Hose clamp upper
31	41741-01	1	Rubber edge strip
32	92 43 124	1	Capscrew



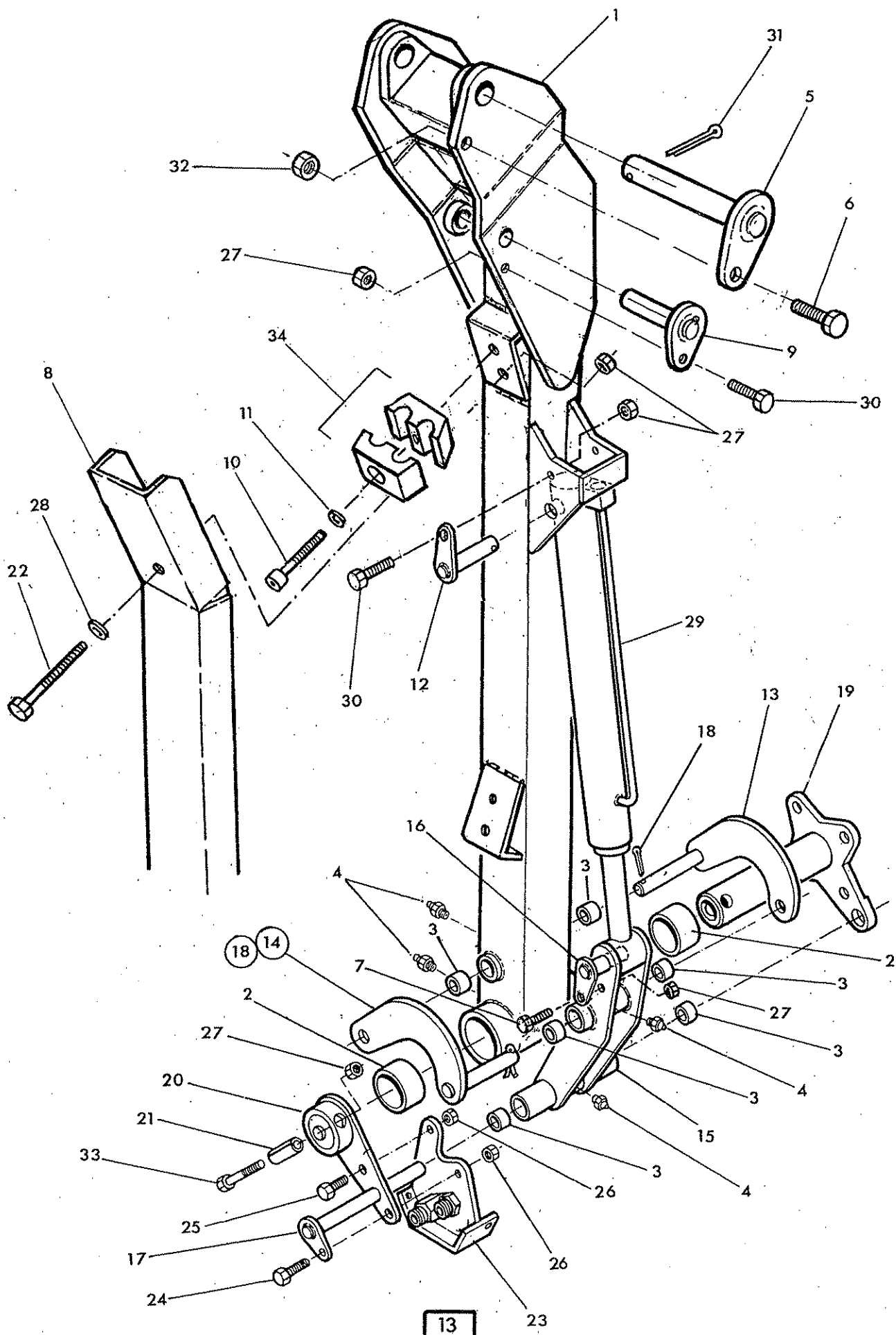


Ref	Part No.	Qty	Description
			MIDCUT FORWARD EXTENSION
1	42644.04	1	Forward extension
2	72 13 023	8	Bush
3	09 01 121	2	Greaser
4	41692.01	1	Pin - tension link
5	42684.02	1	Pin - fold ram base
6	93 13 065	2	Setscrew
7	91 43 005	2	Self locking nut
8	42664.05	1	Fold ram

MIDCUT DIPPER



McCORMICK



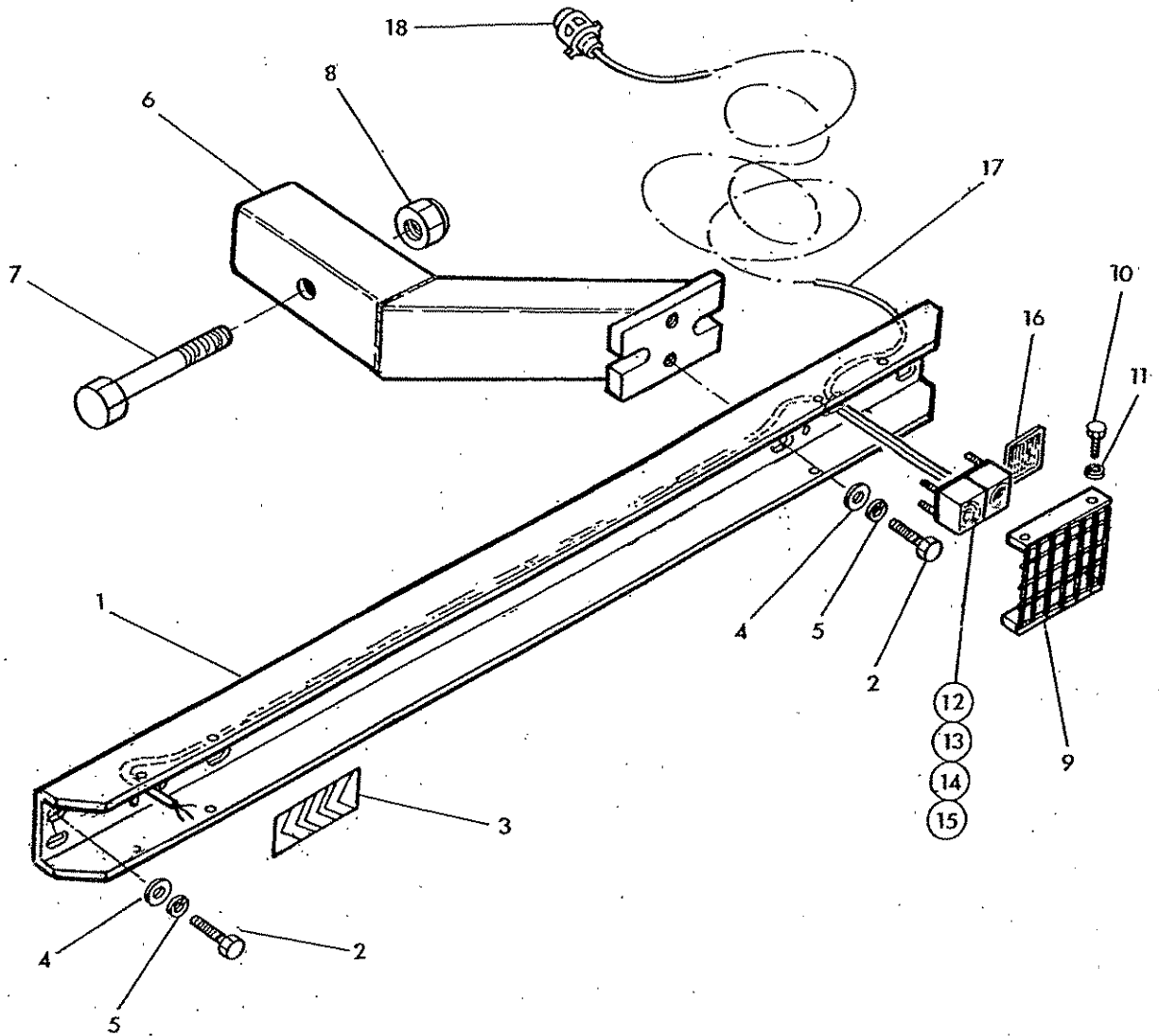


Ref	Part No.	Qty	Description
MIDCUT DIPPER ARM AND FITTINGS			
1	42643.02	1	Dipper arm
2	71 36 035	2	Nylon head bush
3	41690.01	6	Bush
4	09 01 121	4	Greaser
5	41687.03	1	Pin - dipper pivot
6	93 13 087	1	Setscrew
7	93 13 075	2	Setscrew
8	41665.12	1	Hose guard
9	42684.03	1	Pin - fold ram rod
10	92 43 124	2	Capscrew
11	91 00 404	2	Shakeproof washer
12	41691.01	1	Pin - angle ram base
13	74 50 251	1	Radius arm front
14	74 50 250	1	Radius arm rear
15	74 50 252	1	Slave link
16	41693.01	1	Pin - angle ram rod
17	71 92 009	1	Pin - slave link
18	95 01 406	2	Split pin
19	71 92 308	1	Head pivot tube
20	71 92 316	1	Jaw plate
21	04 23 548	1	Spring dowel
22	92 13 155	2	Bolt
23	71 95 303	1	Hose junction bracket
24	02 11 146	1	Bolt
25	02 11 126	1	Bolt
26	01 41 006	2	Self locking nut
27	91 43 005	6	Self locking nut
28	91 00 105	2	Plain washer
29	75 60 344	1	Angling ram
30	93 13 065	2	Setscrew
31	95 01 509	1	Split pin
32	91 43 007	1	Self locking nut
33	92 13 185	3	Bolt
34	42024.06	2	Hose clamp - 1 pair

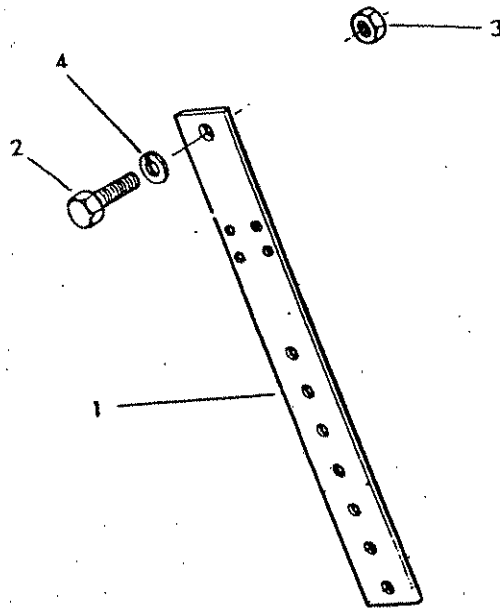
LIGHT BAR



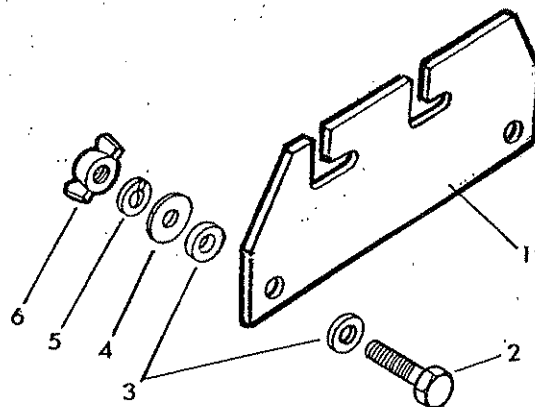
McDONNELL



Ref	Part No	Qty	Description
	74 50 729		LIGHT BAR KIT
1	41549.01	1	Light bar
2	93 13 065	4	Setscrew
3	12 90 347	2	Sticker - chevron
4	91 00 105	4	Plain washer
5	91 00 205	4	Spring washer
6	41527.02	1	Light bar mount
7	05.292.23	1	Bolt
8	91 43 006	1	Self locking nut
9	75 60 353	2	Light guard
10	93 13 023	8	Setscrew
11	91 00 203	8	Spring washer
12	75 60 086	2	Light incl:
13	75 60 087	2	Stop/tail bulb 12v
14	75 60 088	2	Flasher bulb 12v
15	93 00 142	8	Self tap screw
16	75 60 093	2	Reflector - self adhesive
17	75 60 090	1	Cable
18	75 60 089	1	Plug - 7 pin



Ref	Part No	Qty	Description
CONTROL UNIT MOUNTING ASSY			
1	71 09 146	1	Pillar
2	93 11 086	1	Setscrew
3	01 11 006	1	Nut
4	01 00 206	1	Spring washer

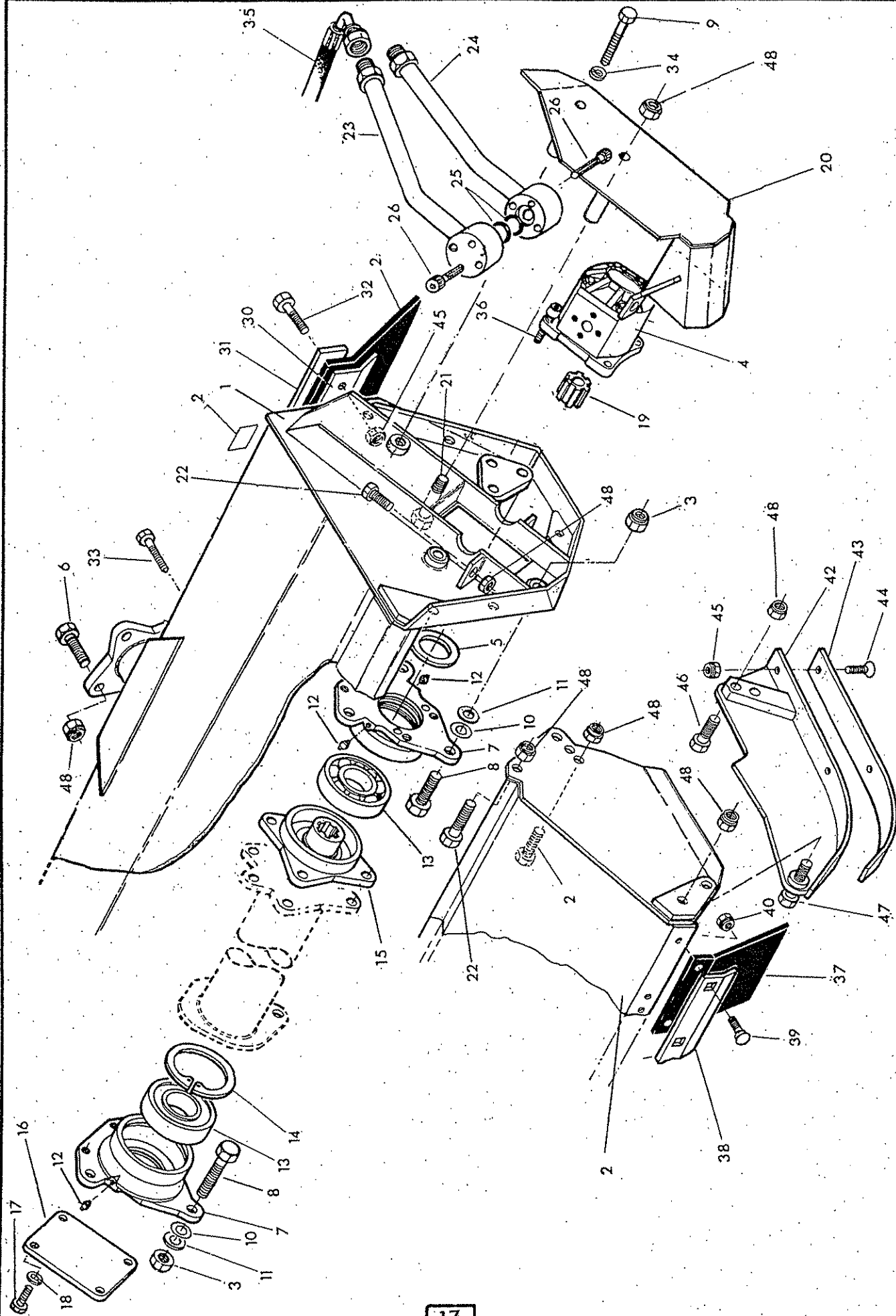


Ref	Part No	Qty	Description
CONTROL UNIT MOUNTING ASSY			
1	03.583.01	1	Bracket
2	93 13 094	2	Setscrew
3	03.152.01	4	Rubber washer
4	91 00 104	2	Plain washer
5	91 00 204	2	Spring washer
6	91 93 004	2	Wingnut

FLAIL CASING - Direct drive



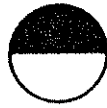
McCORMICK



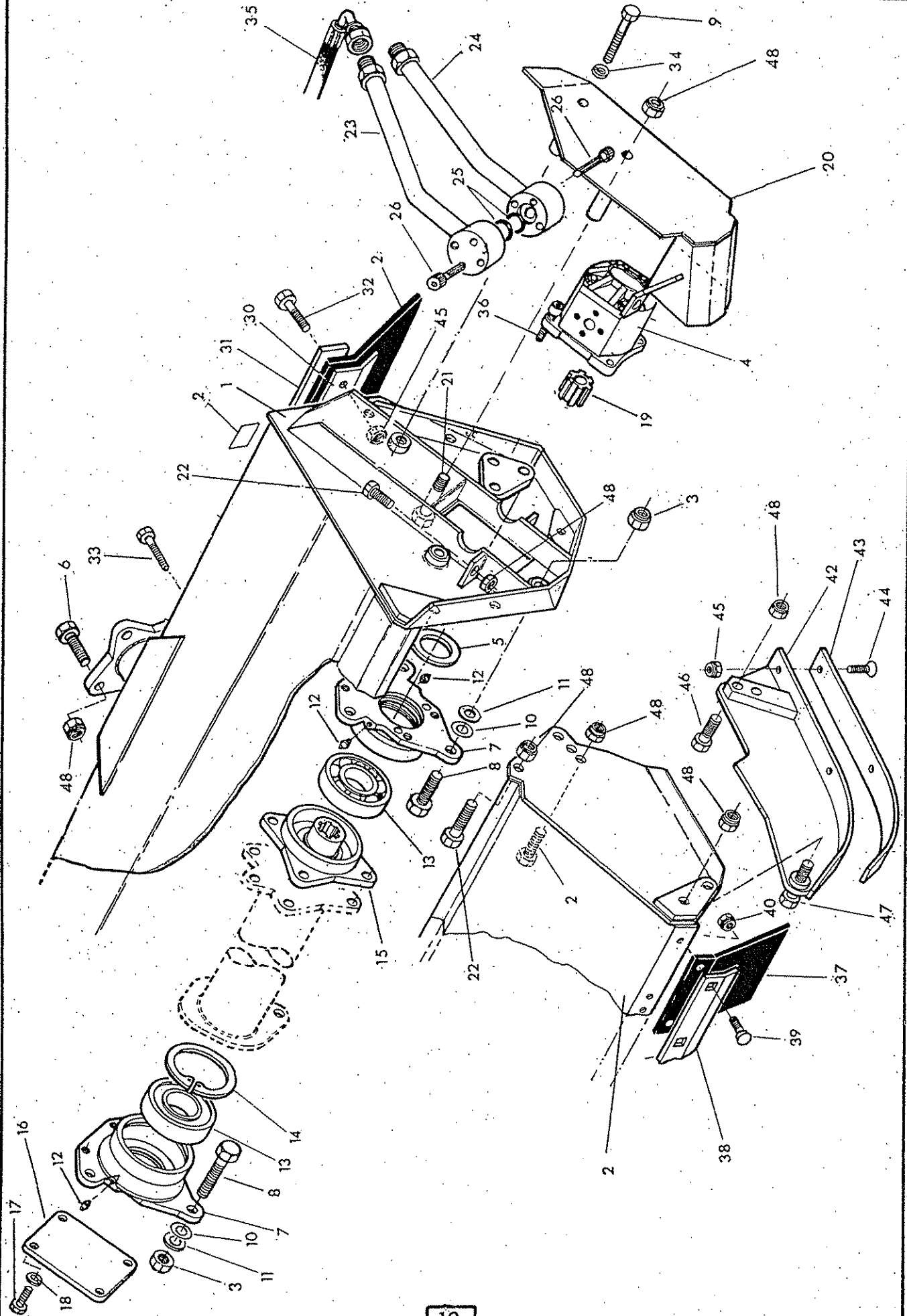


Ref	Part No.	Qty	Description
FLAIL HEAD CASING - DIRECT DRIVE			
1	71 90 262	1	Flail casing
2	13 35 246	1	Serial No. Plate
3	91 00 024	6	Special nut
4	83 01 282	1	Hydraulic motor
5	71 90 015	1	Motor locating washer
6	02 11 186	4	Bolt
7	71 90 261	2	Bearing housing
8	92 00 023	6	Special bolt
9	02 11 326	1	Bolt
10	81 21 043	as req	Shim
11	81 21 044	as req	Shim
12	09 01 121	4	Greaser
13	06 00 018	2	Bearing
14	71 90 022	1	Internal circlip
15	71 90 571	2	Rotor hub
16	71 90 444	1	Cover plate
17	93 13 045	4	Setscrew
18	91 00 205	4	Spring washer
19	71 90 573	1	Drive coupling
20	42282.01	1	Motor cover
21	02 11 566	1	Bolt
22	03 11 126	2	Setscrew
23	71 90 378	1	Motor pipe - upper
24	71 90 379	1	Motor pipe - lower
25	86 00 121	2	'O' ring
26	93 00 014	6	Capscrew 'wedglok';
27	71 90 288	1	Front hood
28	03 11 106	2	Setscrew
29	71 90 314	1	Rear flap
30	71 90 312	1	Mounting strip
31	71 90 313	1	Clamp strip
32	93 13 065	7	Setscrew
33	93 13 075	2	Setscrew
34	01 00 206	1	Spring washer
35	85 01 154	2	Hose 1" BSP x 42" long
36	93 00 144	4	Capscrew 'wedglok'
	86 99 236		SEAL KIT for hydraulic motor
	86 29 209		Shaft seal

FLAIL CASING - Direct drive



McCORMICK



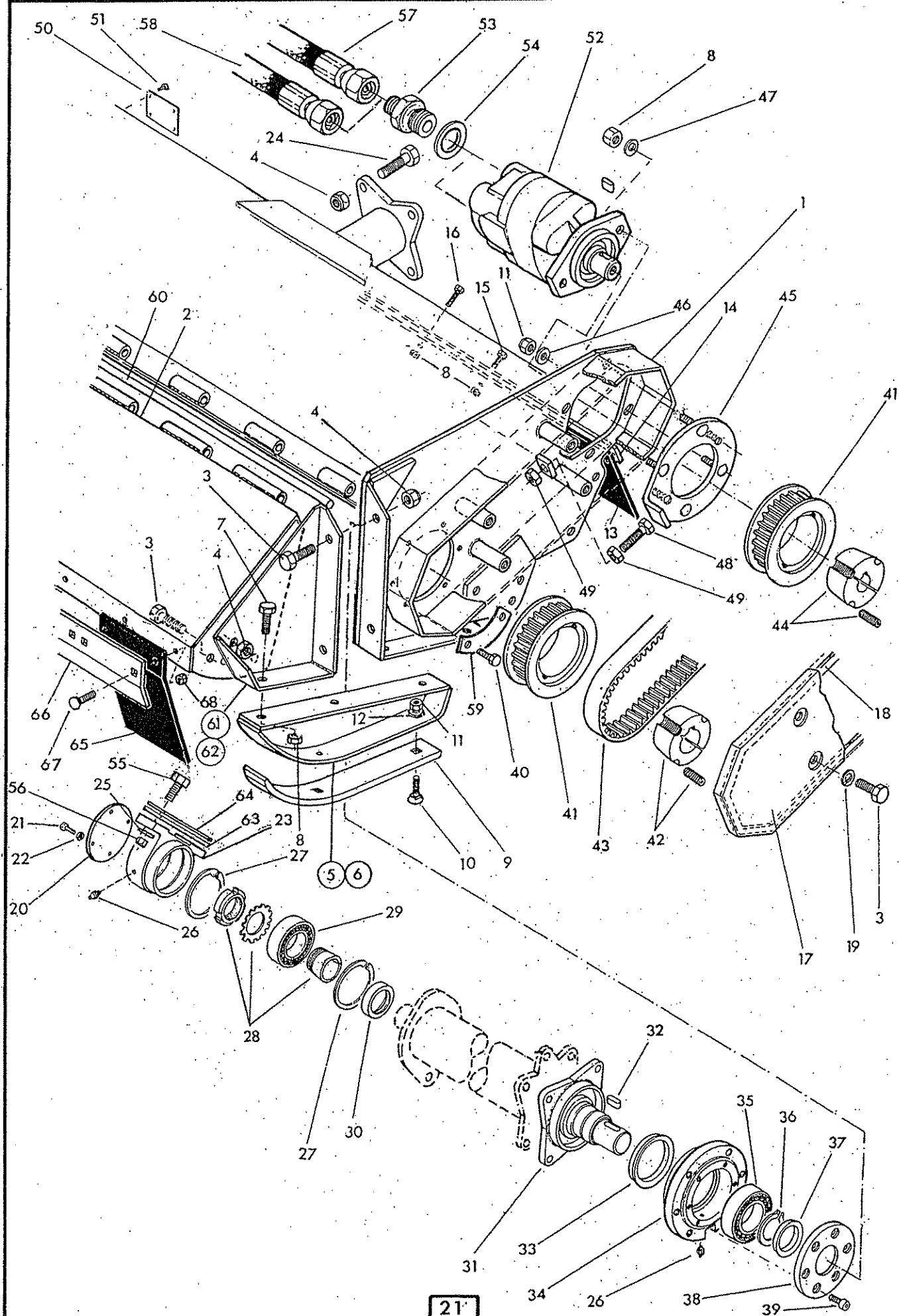


Ref	Part No.	Qty	Description
			FLAIL HEAD CASING - DIRECT DRIVE
	72 90 375		FRONT FLAP KIT
37	72 90 053	8	Flap
38	71 90 304	1	Flap clamp strip
39	92 93 054	16	Cup square bolt
40	91 43 004	16	Self locking nut
	71 90 421		SKID KIT
41	71 90 300	1	Skid R. hand - not illus.
42	71 90 301	1	Skid L. hand
43	73 14 323	1	Wear skid
44	93 13 065	6	Setscrew c/sunk
45	91 43 005	15	Self locking nut
46	03 11 146	2	Setscrew
47	03 11 086	2	Setscrew
48	01 41 006	15	Self locking nut

FLAIL CASING - Belt drive



McDONNELL



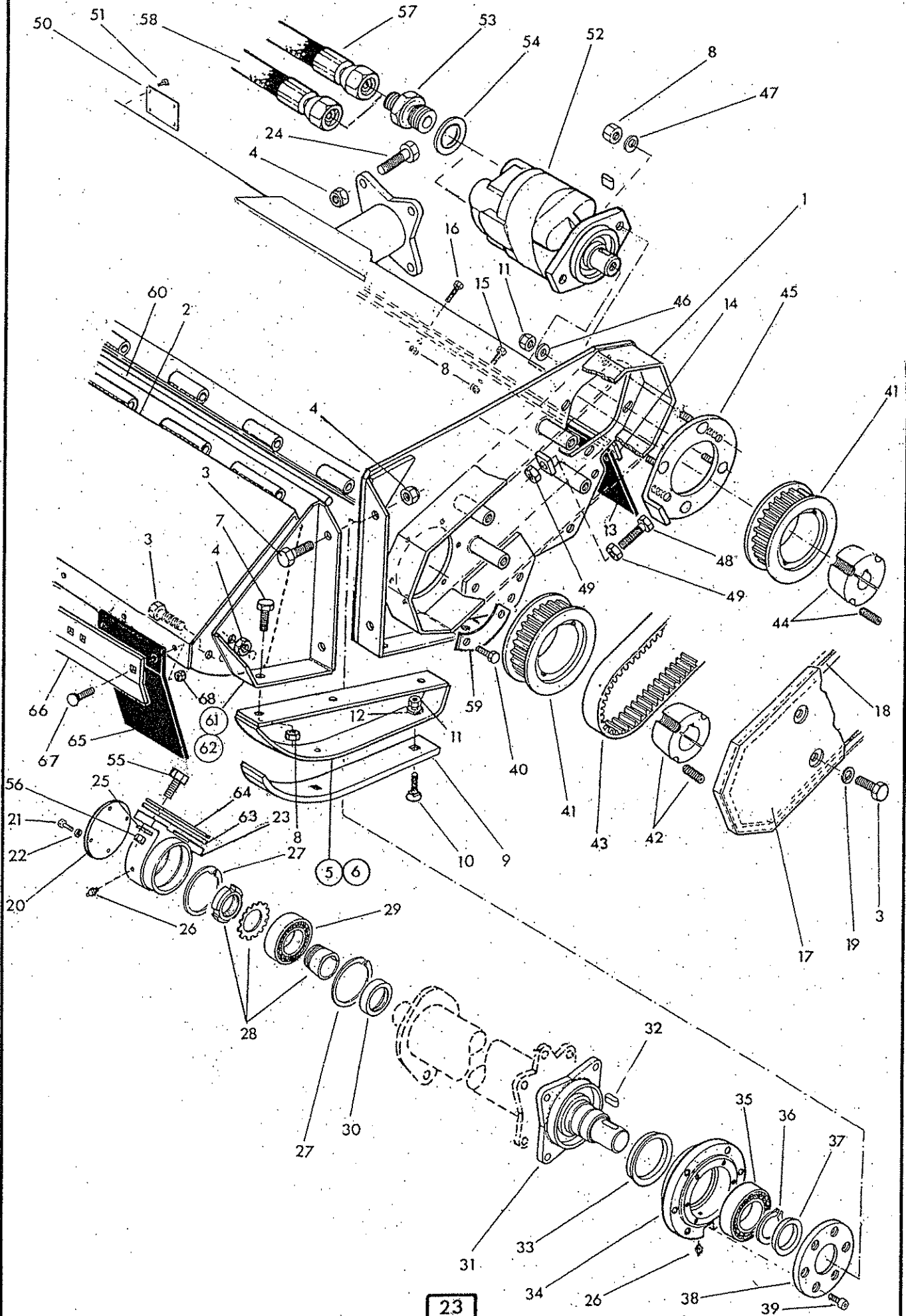


Ref	Part No.	Qty	Description
1.2M BELT DRIVE FLAIL HEAD CASING			
1	72 90 333	1	Hood
2	72 90 386	1	Front hood
3	03 11 106	10	Setscrew
4	01 41 006	10	Self locking nut
5	72 90 389	1	Skid - R. hand
6	72 90 390	1	Skid - L. hand
7	93 13 055	6	Setscrew
8	91 43 005	23	Self locking nut
9	72 90 391	2	Wear skid
10	60 12 034	6	Tine bolt
11	01 42 004	10	Self locking nut
12	01 00 104	6	Plain washer
13	72 90 348	1	Rear flap
14	72 90 347	1	Clamp strip
15	93 13 065	6	Setscrew
16	93 13 075	3	Setscrew
17	72 90 343	1	Belt cover
18	72 90 052	1	Seal strip
19	01 00 206	4	Spring washer
20	72 90 042	1	Bearing cogger - free end
21	93 13 033	4	Setscrew
22	91 00 203	4	Spring washer
23	72 90 322	1	Bearing housing
24	02 11 186	4	Bolt
25	10 65 077	2	Special washer
26	09 01 121	2	Greaser
27	72 90 056	2	Internal circlip
28	06 00 097	1	Adaptor sleeve assembly
29	06 00 096	1	Bearing - free end
30	72 90 013	1	Bearing adaptor
31	72 90 323	1	Drive hub
32	72 90 017	1	Key
33	72 90 048	1	Seal

FLAIL CASING - Belt drive



McCONNEL





Ref	Part No.	Qty	Description
-----	----------	-----	-------------

1.2M BELT DRIVE FLAIL HEAD CASING
continued

34	72 90 321	1	Bearing housing - drive end
35	06 00 095	1	Bearing - drive end
36	04 01 255	1	External circlip
37	72 90 049	1	Seal
38	72 90 023	1	Bearing retainer
39	93 43 034	6	Capscrew
40	93 13 045	6	Setscrew
41	72 90 047	2	Drive sprocket
42	72 90 016	1	Taper lock drive bush
43	72 90 046	1	Belt
44	05.424.07	1	Taper lock drive bush
45	72 90 426	1	Motor mounting plate
46	72 90 051	4	Special washer
47	91 00 105	2	Plain washer
48	93 13 117	1	Belt adjuster screw
49	91 13 007	2	Nut
50	13 35 246	1	Serial No. Plate
51	71 03 230	4	Pop rivet
52	43010.03	1	Hydraulic motor
53	80 02 086	2	Adaptor
54	86 50 106	2	Bonded seal
55	92 00 023	2	Special bolt
56	91 00 024	2	Special nut
57	85 01 227	1	Hose 1" BSP x 21" long SF-135F
58	85 01 228	1	Hose 1" BSP x 22 1/2" long SF-135F
59	72 90 073	3	Tab washer
60	72 90 061	1	Pivot rod
61	72 90 388	1	Hood carrier bracket L. hand
62	72 90 387	1	Hood carrier bracket R. hand not illus.
63	72 90 425	as req	Shim
64	72 90 424	as req	Shim

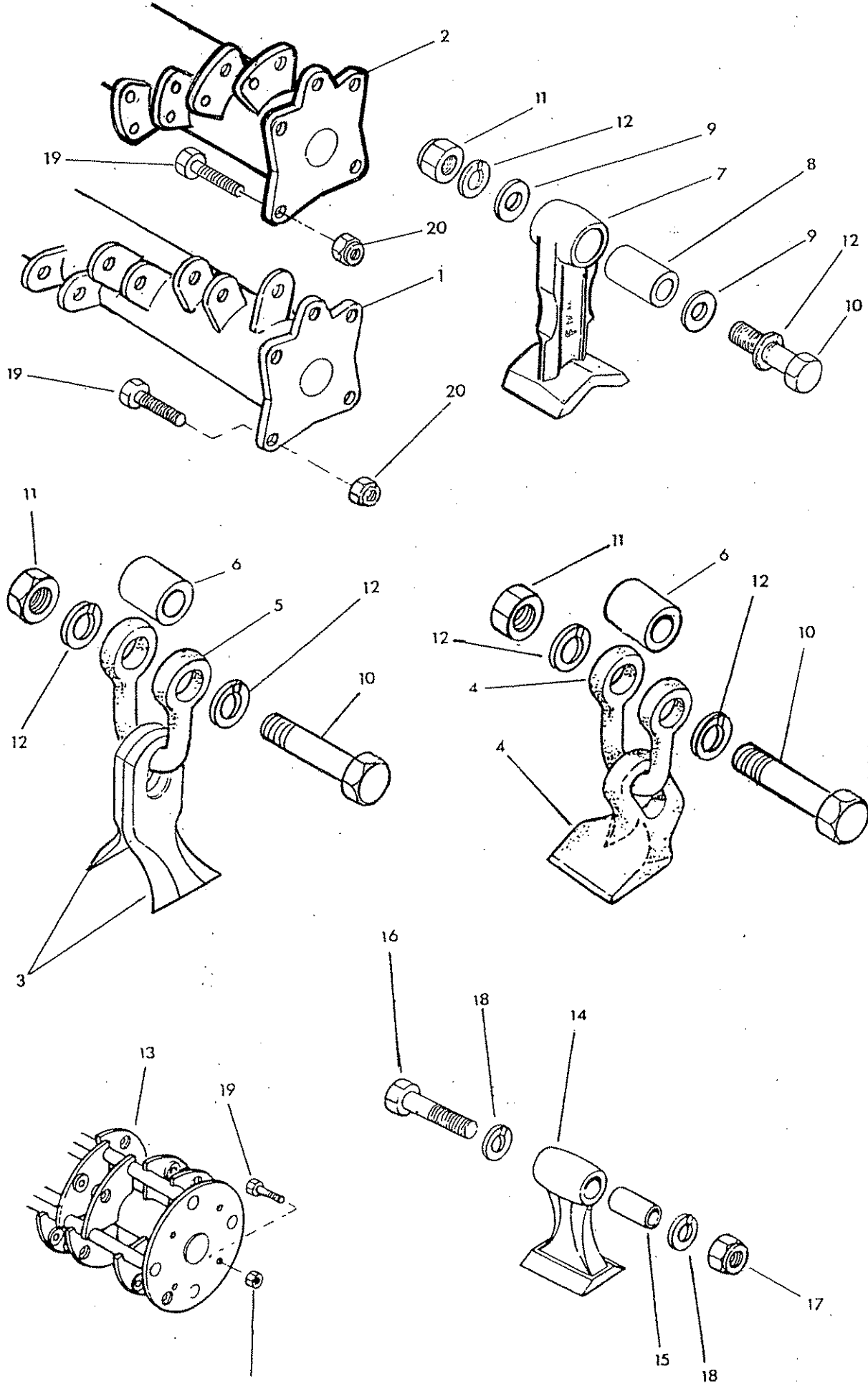
72 90 375**FRONT FLAP KIT**

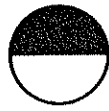
65	72 90 053	8	Front flap
66	71 90 304	1	Clamp strip
67	92 93 054	16	Dome headed coach bolt
68	91 43 005	16	Self locking nut

43010.01**SEAL KIT**

86 29 223

Shaft seal





Ref	Part No	Qty	Description
ROTORS AND FLAILS			
1	73 90 270	1	Rotor - 24 flail positions
2	42636.01	1	Rotor - 36 flail positions

The following flails are suitable for use with 73 90 270 and 42636.01

Note: Quantities are per flail position

3	41654.01	2	Flail
4	71 90 462	1	Flail
5	73 90 013	1	Shackle
6	73 90 018	1	Spacer sleeve
7	73 14 366	1	Flail
8	73 14 223	1	Pivot boss
9	73 90 005	2	Spacer
10	73 90 006	1	Special bolt
11	01 41 006	1	Self locking nut
12	01 00 206	2	Spring washer
13	71 90 465	1	Rotor - Omega

The following are used with 71 90 465

14	81 90 464	20	Flail
15	71 90 117	20	Bush
16	73 90 006	20	Special bolt
17	01 41 006	20	Self locking nut
18	01 00 206	20	Spring washer

The following are used with all rotors

19	92 00 025	2	Special bolt
20	91 00 024	2	Special nut

ROTOR ASSEMBLIES - DIRECT DRIVE

71 90 501	Rotor assembly 24 position - Hedge
71 90 502	Rotor assembly 24 position - Grass
71 90 503	Rotor assembly 24 position - Universal
71 90 581	Rotor assembly 36 position - Hedge
71 90 582	Rotor assembly 36 position - Grass
71 90 583	Rotor assembly 36 position - Universal
71 90 471	Rotor assembly - Omega

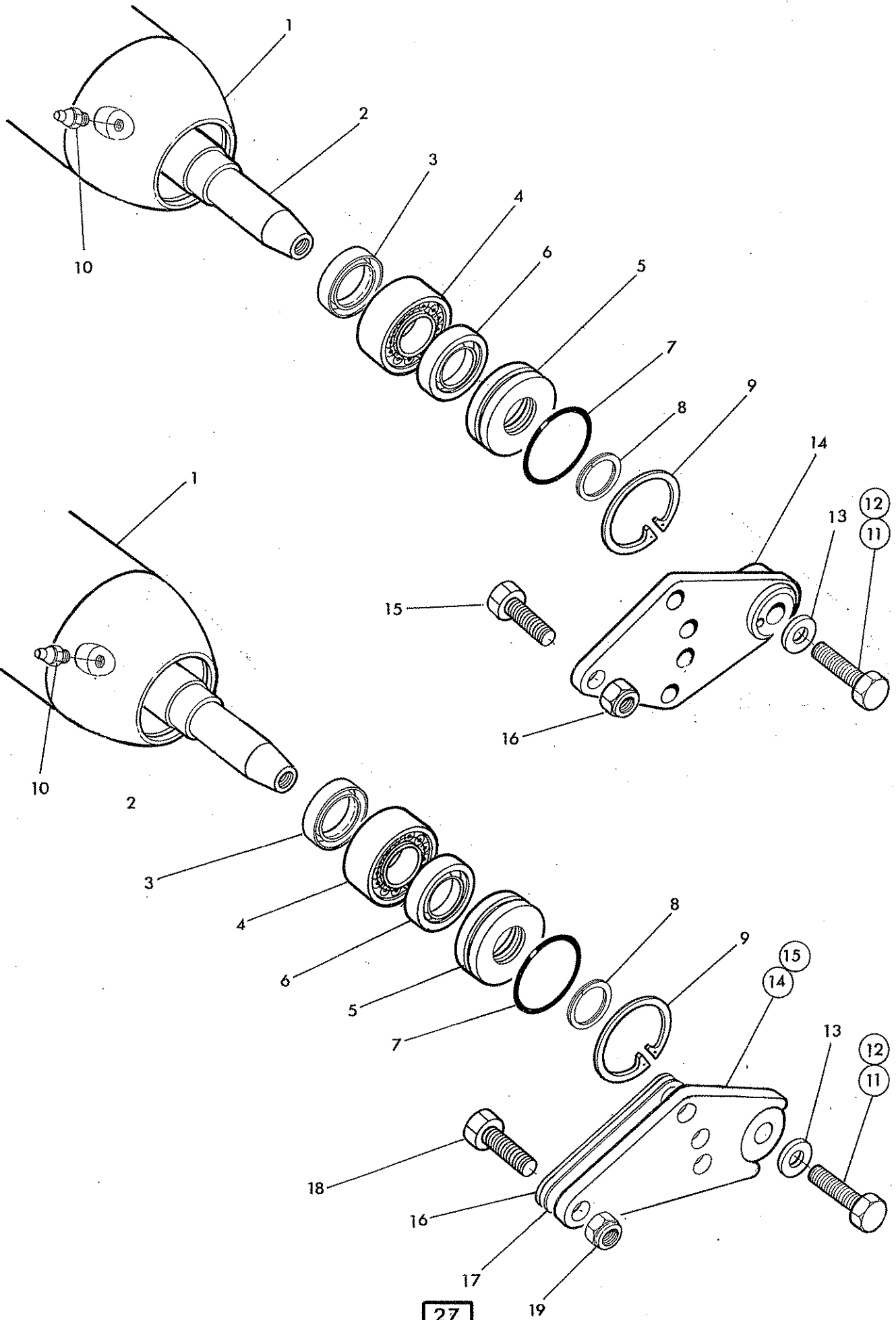
ROTOR ASSEMBLIES - BELT DRIVE

73 90 271	Rotor assembly 24 position - Hedge
73 90 272	Rotor assembly 24 position - Grass
73 90 273	Rotor assembly 24 position - Universal
73 90 319	Rotor assembly 36 position - Hedge
73 90 320	Rotor assembly 36 position - Grass
73 90 321	Rotor assembly 36 position - Universal
71 90 498	Rotor assembly Omega

ROLLERS



MCCORMICK

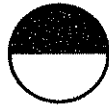




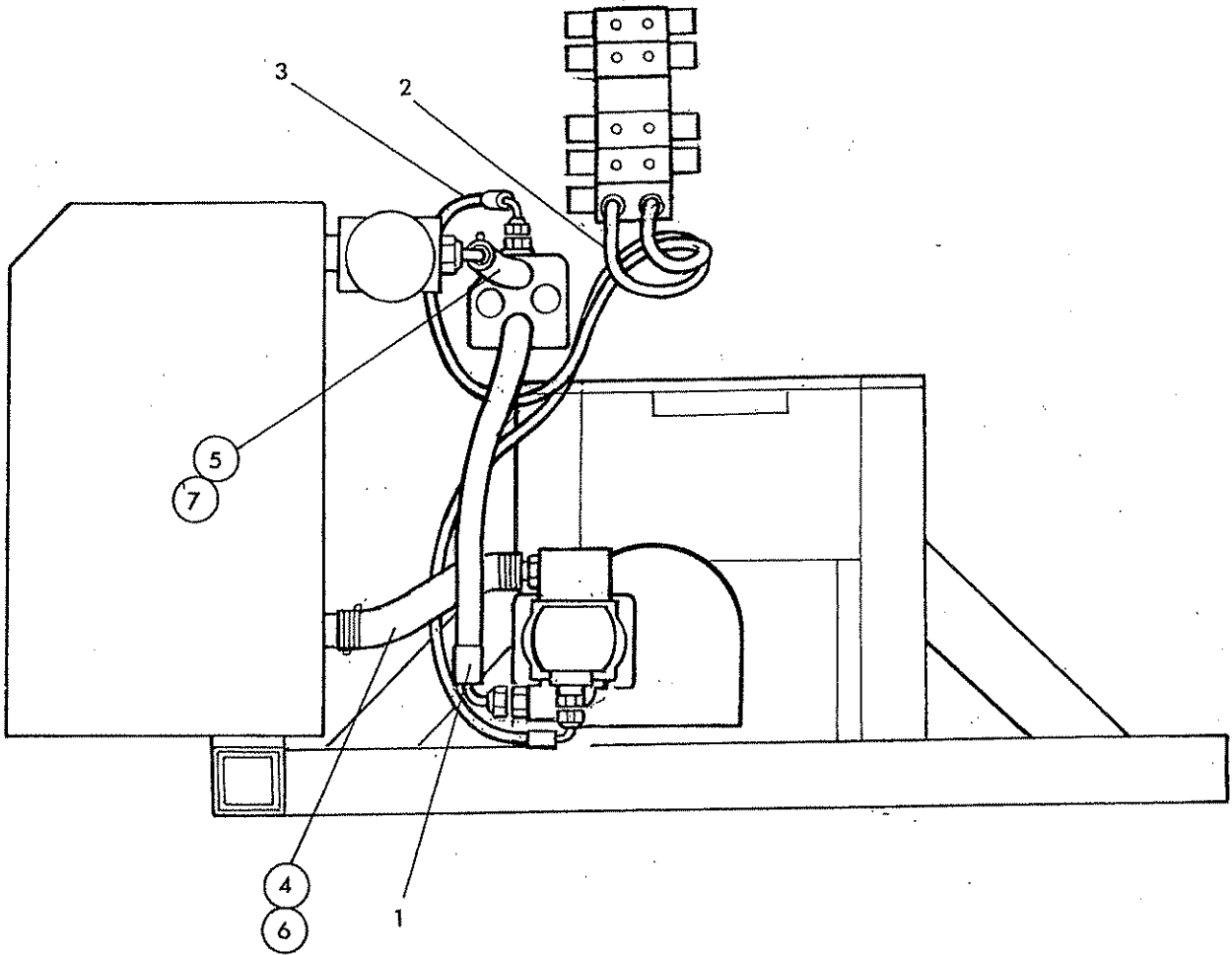
Ref	Part No.	Qty	Description
ROLLER ASSEMBLIES			
42241.25 DIRECT DRIVE HEADS			
1	42241.10	1	Roller
2	42242.04	1	Roller axle
3	86 29 181	2	Seal
4	06 00 099	2	Bearing
5	73 90 011	2	Seal carrier
6	86 29 125	2	Seal
7	86 00 422	2	'O' ring
8	04 12 120	2	Spring ring
9	04 11 262	2	Circlip - internal
10	09 01 121	2	Greaser
11	93 00 150	1	Special set screw L Hand
12	93 00 149	1	Special set screw R Hand
13	42503.02	2	Special washer
14	42246.03	2	Roller bracket
15	02 11 186	4	Bolt
16	01 41 006	4	Self locking nut

42241.24 BELT DRIVE HEADS			
1	42241.10	1	Roller
2	42242.04	1	Roller axle
3	86 29 181	2	Seal
4	06 00 099	2	Bearing
5	73 90 011	2	Seal carrier
6	86 29 125	2	Seal
7	86 00 422	2	'O' ring
8	04 12 120	2	Spring ring
9	04 11 262	2	Circlip - internal
10	09 01 121	2	Greaser
11	93 00 150	1	Special set screw L Hand
12	93 00 149	1	Special set screw R Hand
13	42503.02	2	Special washer
14	42246.01	1	Roller bracket L Hand
15	42246.02	1	Roller bracket R Hand
16	42257.02	as req.	Shim
17	42257.01	as req.	Shim
18	93 13 097	4	Setscrew
19	91 43 007	4	Self locking nut

**HOSE INSTALLATION -
primary circuit**



McCormell





Ref	Part No	Qty	Description
-----	---------	-----	-------------

PRIMARY CIRCUIT

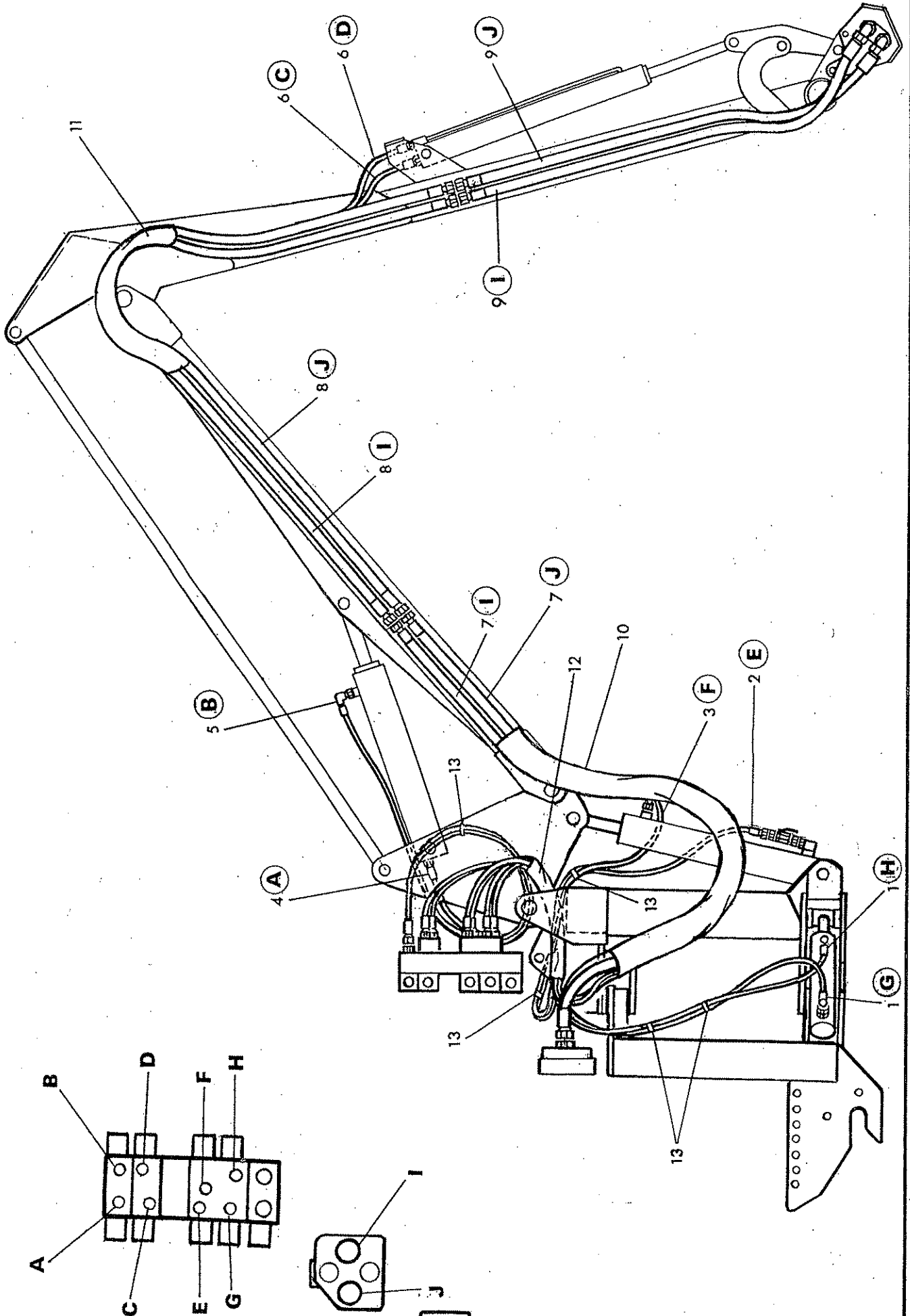
Main control valve
Rotor control valve
Pump and gearbox
Hydraulic reservoir

1	85 01 169	1	Hose 1 BSPx29" long. Pump - R.C. valve
2	10.006.27	1	Hose 1/2" BSPx1700mm long. Pump - main valve
3	10.006.26	1	Hose 1/2" BSPx1600mm long. Main valve - R.C. valve
4	85 01 252	1	Hose 1 1/2" bore x 14" long - suction
5	85 00 800	1	Hose 1" bore x 275" long - R.C. valve - Tank
6	09 04 107	4	Hose clip - 1 1/2" bore
7	09 04 106	4	Hose clip 1" bore

HOSE INSTALLATION -
service circuit



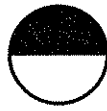
McCONNEL



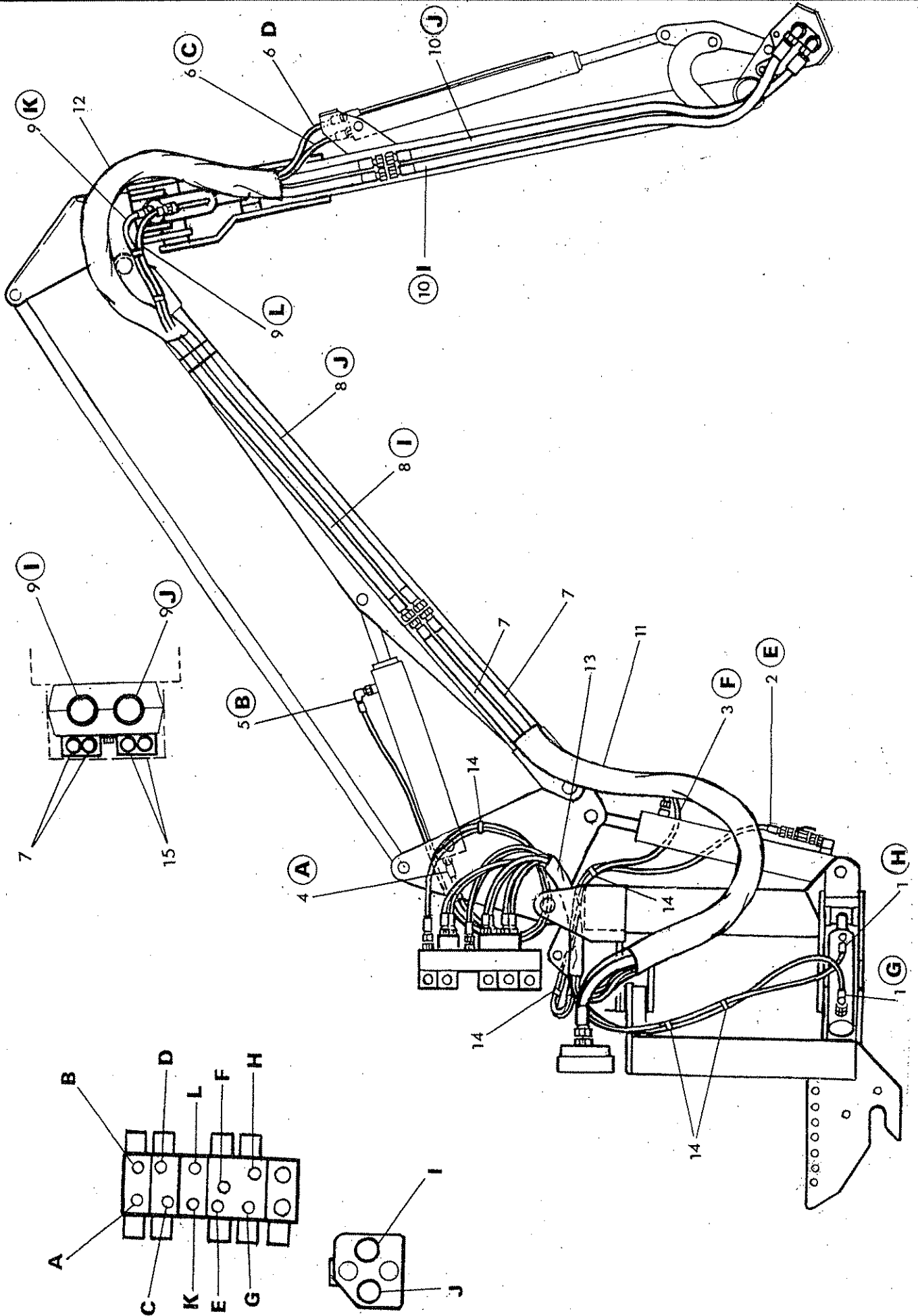


Ref	Part No	Qty	Description
HOSE INSTALLATIONS SERVICE CIRCUITS			
1	10.002.27	2	Hose 1/4 BSP x 1700mm long - slew
2	10.001.30	1	Hose 1/4 BSP x 2000mm long - lift base
3	10.002.27	1	Hose 1/4 BSP x 1700mm long - lift gland
4	10.001.20	1	Hose 1/4 BSP x 1000mm long - reach base
5	10.002.25	1	Hose 1/4 BSP x 1500mm long - reach gland
6	10.001.65	2	Hose 1/4 BSP x 5500mm long - angle
7	10.011.33	2	Hose 1" BSP x 2300mm long - R.C.valve - main arm junction
8	85 69 028	2	Hose 1" BSP x 2030mm long - dipper pivot
9	85 01 098	2	Hose 1" BSP x 1220mm long - dipper junction - flail head
10	75 50 026	1	Hose sleeve 66" long
11	75 50 063	2	Hose sleeve 30" long
12	42374.13	1	Hose sleeve 650mm long
13	71 35 084	7	Hose tie

HOSE INSTALLATION - MIDCUT
service circuit



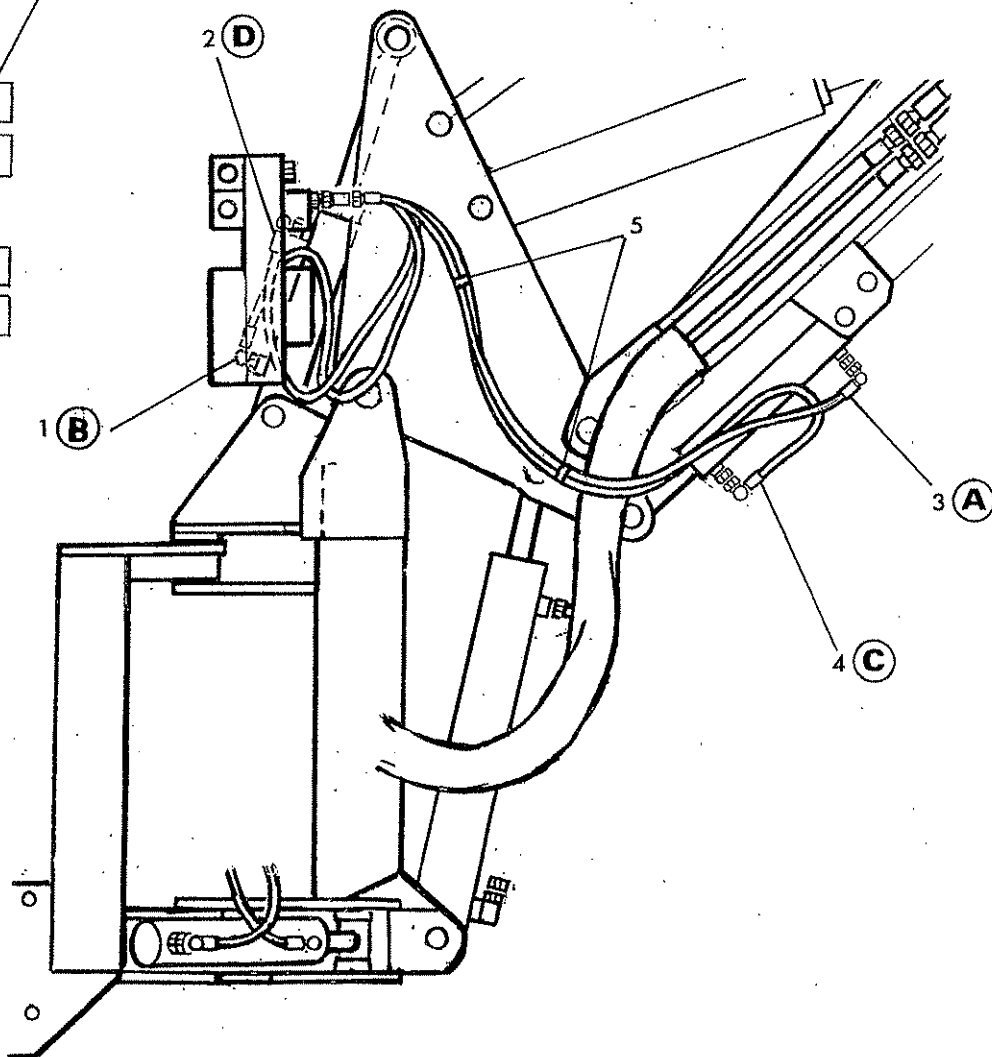
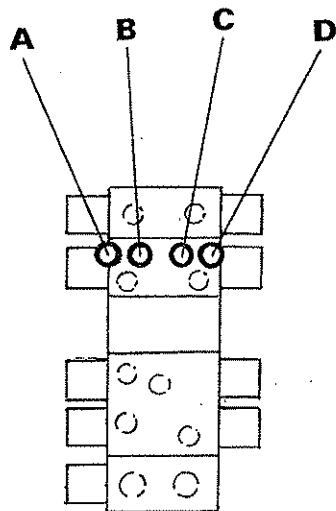
MCCORMEL

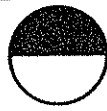




23

Ref	Part No	Qty	Description
HOSE INSTALLATIONS SERVICE CIRCUITS - MIDCUT			
1	10.002.27	2	Hose 1/4 BSP x 1700mm long - slew
2	10.001.30	1	Hose 1/4 BSP x 2000mm long - lift base
3	01.002.27	1	Hose 1/4 BSP x 1700mm long - lift gland
4	10.001.20	1	Hose 1/4 BSP x 1000mm long - reach base
5	10.002.25	1	Hose 1/4 BSP x 1500mm long - reach gland
6	10.001.69	2	Hose 1/4 BSP x 5900mm long - angle
7	10.011.33	1	Hose 1" BSP x 2300mm long - R.C.valve - main arm junction
8	85 69 048	2	Hose 1" BSP x 2500mm long - dipper pivot
9	10.017.60	2	Hose 1/4 BSP x 5000mm long - fold
10	85 01 098	2	Hose 1" BSP x 1220mm long - dipper junction - flail head
11	75 50 026	1	Hose sleeve 66" long
12	75 50 373	2	Hose sleeve 70" long
13	42374.13	1	Hose sleeve 650mm long
14	71 35 084	9	Hose tie



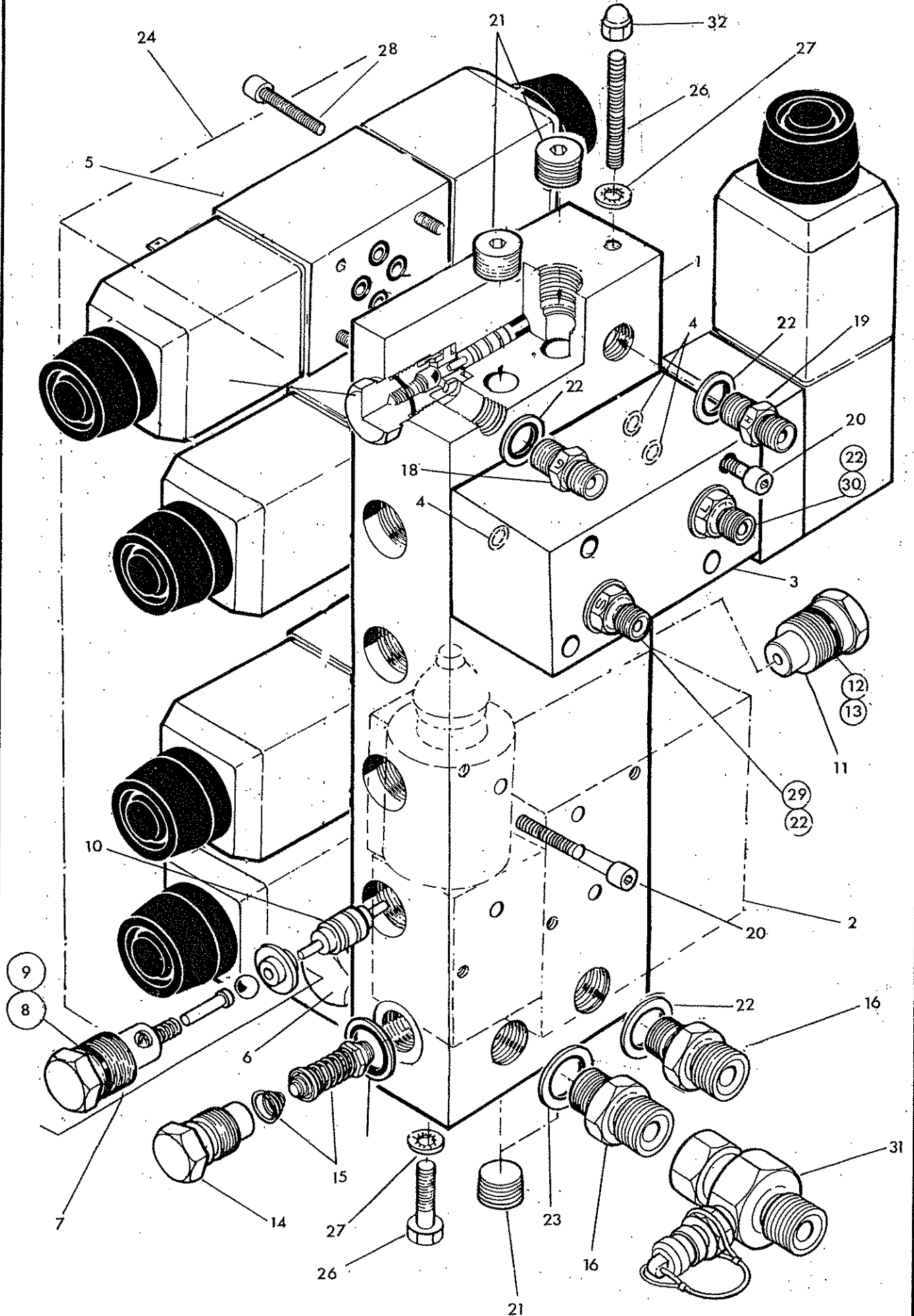


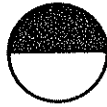
Ref	Part No	Qty	Description
HOSE INSTALLATION - AHC VARIATIONS			
1	10.001.21	1	Hose 1/4 BSP x 1100mm long lift comp base
2	10.001.22	1	Hose 1/4 BSP x 1200mm long lift comp gland
3	10.001.23	1	Hose 1/4 BSP x 1300mm long reach comp base
4	10.001.21	1	Hose 1/4 BSP x 1100mm long reach comp gland
5	71 35 084	4	Hose tie

ELECTRIC VALVE - Std arm



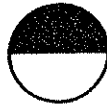
McCORMELL



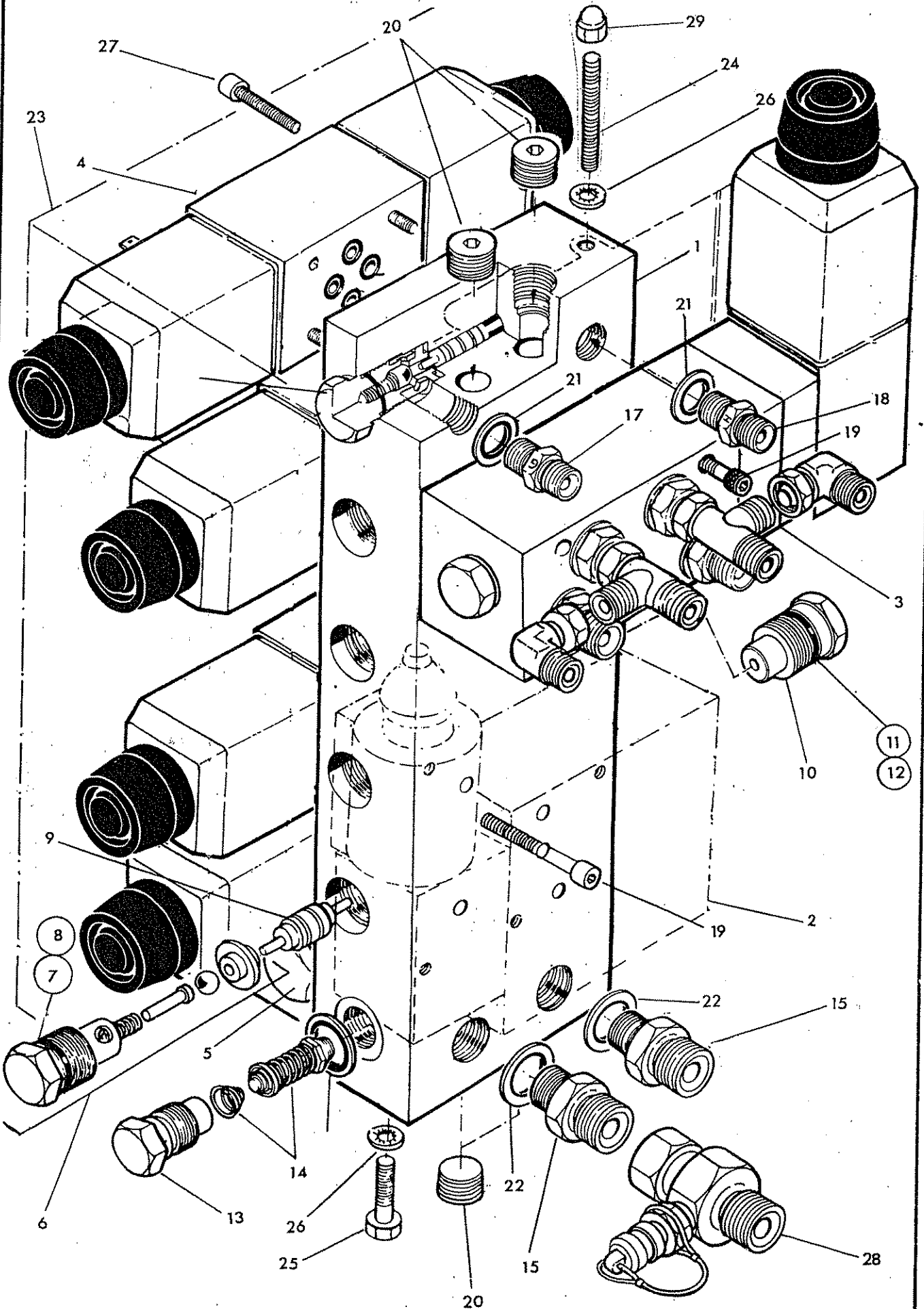
**McDOWELL**

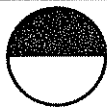
Ref.	Part No.	Qty.	Description
			CONTROL VALVE FOR STD ELECTRIC NON AHC MACHINES
	81 30 523		Solenoid/manifold valve assy.compr:
1	81 30 346	1	Manifold block
2		1	Slew circuit valve assembly
3		1	Angle float valve assembly
4	87 00 511	3	'O' ring
5		4	Double solenoid valve
6		1	Single solenoid valve
7	81 30 090	7	Check valve assy. incl. 'O' ring
8	87 00 644	1	'O' ring
9	87 09 644	1	Anti extrusion ring
10	81 30 087	4	Actuator
11	81 30 078	1	Check valve blank
12	87 00 644	1	'O' ring
13	87 09 644	1	Anti extrusion ring
14	81 30 032	1	Relief valve cap
15	81 30 092	1	Relief valve c/w spring (190 Bar)
16	60 00 112	2	Union
17	41741.02	1	Edge strip 360mm long - not illus.
18	81 30 104	1	Restrictor union 'G' reach base
19	81 30 105	1	Restrictor union 'H' reach gland
20	92 43 082	9	Socket headed cap screw
21	85 82 042	4	Taper plug
22	86 50 102	4	Bonded seal
23	86 50 103	3	Bonded seal
24	42992.01	1	Solenoid cover
25	93 13 035	2	Setscrew
26	04.282.10	2	Stud
27	91 00 305	4	Internal serrated washer
28	92 43 062	20	Capscrew socket headed
29	81 30 037	1	Restrictor union 'S'
30	81 30 038	1	Restrictor union 'L' BSP MM
31	81 31 009	1	Test point union
32	91 00 025	2	Dome nut
	86 99 197		SEAL KIT

CONTROL VALVE



MCDONNELL



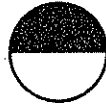


Ref.	Part No.	Qty.	Description
			CONTROL VALVE FOR STD. ELECTRIC AHC MACHINES
	81 30 524	1	Solenoid/manifold valve assembly compr:
1	81 30 346	1	Manifold block
2		1	Slew circuit valve assembly
3		1	Compensator/angle float valve assy.
4		4	Double solenoid valve
5		1	Single solenoid valve
6	81 30 090	7	Check valve assembly incl. 'O' ring
7	87 00 644	1	'O' ring
8	87 09 644	1	Anti extrusion ring
9	81 30 087	4	Actuator
10	81 30 078	1	Check valve blank
11	87 00 644	1	'O' ring
12	87 09 644	1	Anti extrusion ring
13	81 30 032	1	Relief valve cap
14	81 30 092	1	Relief valve c/w spring (190 Bar)
15	60 00 112	2	Union
16	41741.02	1	Edge strip 360mm long - not illus.
17	81 30 104	1	Restrictor union 'G' reach base
18	81 30 105	1	Restrictor union 'H' reach gland
19	92 43 082	9	Socket headed cap screw
20	85 82 042	4	Taper plug
21	86 50 102	2	Bonded seal
22	86 50 103	3	Bonded seal
23	42992.01	1	Solenoid cover
24	04.282.10	2	Stud
25	93 13 055	2	Setscrew
26	91 00 305	4	Internal serrated washer
27	92 43 062	20	Capscrew socket headed
28	81 31 009	1	Test point union
29	91 00 025	2	Dome nut

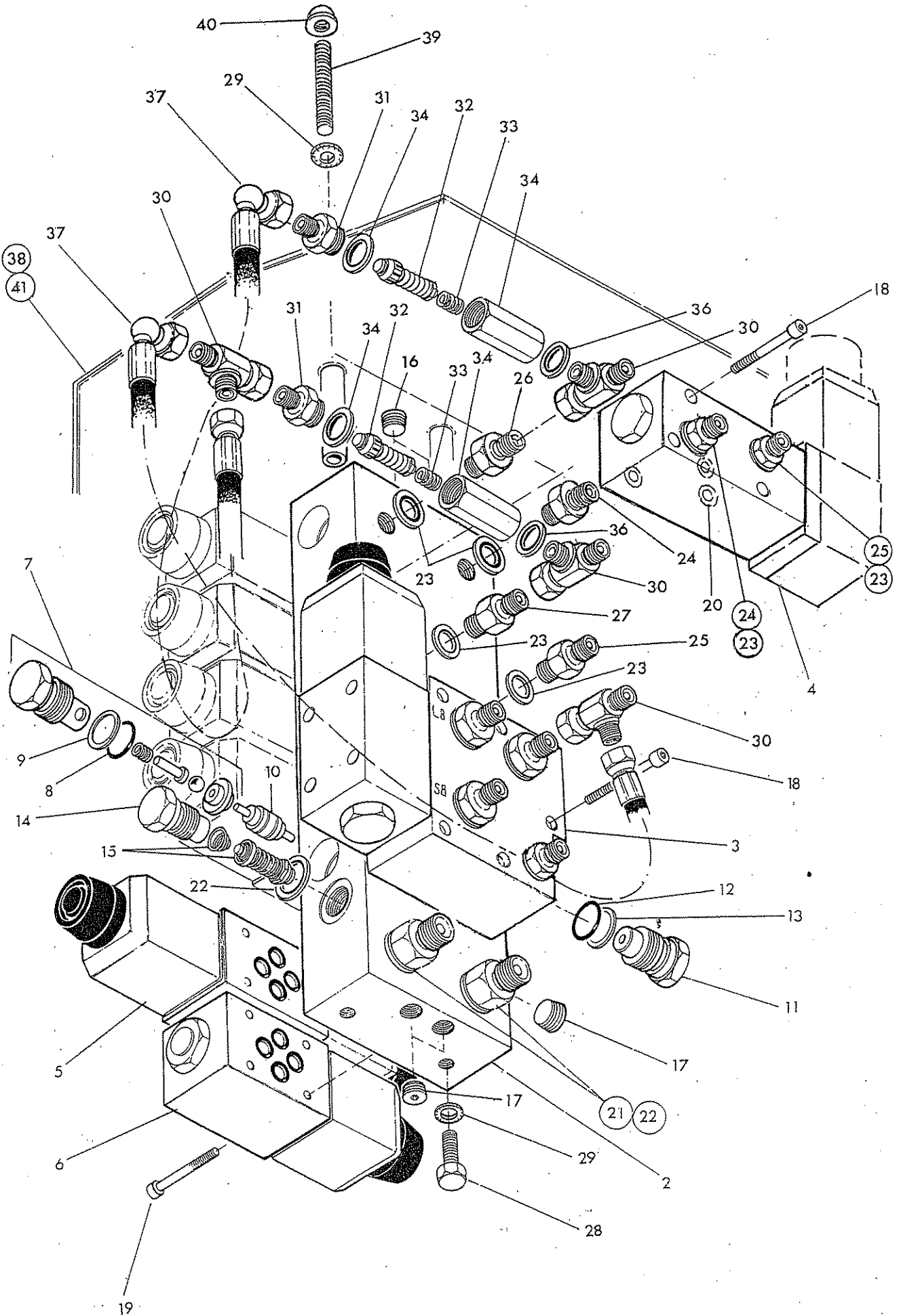
86 99 197

SEAL KIT

CONTROL VALVE - midcut



MCCORMELL





Ref	Part No	Qty	Description
CONTROL VALVE - MIDCUT ARM - STD			
1	74 50 774	1	Solenoid/manifold assy-non AHC compr:
2	81 32 269	1	Manifold block
3		1	Slew circuit valve
4		1	Angle float valve
5		5	Double solenoid valve
6		1	Single solenoid valve
7	81 30 090	9	Check valve assembly
8	87 00 644	1	Check valve 'O' ring
9	87 09 644	1	Check valve anti extrusion ring
10	81 30 087	5	Actuator
11	81 30 078	1	Check valve blank
12	87 00 644	1	'O' ring
13	87 09 644	1	Anti extrusion ring
14	81 30 032	1	Relief valve cap
15	81 30 029	1	Relief valve c/w spring - 175 bar
16	85 82 042	3	Taper plug
17	85 82 043	2	Taper plug
18	92 43 082	9	Socket head cap screw
19	92 43 062	24	Socket head cap screw
20	87 00 511	3	'O' ring
21	60 00 112	2	Adaptor
22	86 50 103	2	Bonded seal
23	86 50 102	6	Bonded seal
24	81 30 038	2	Restrictor union
25	81 30 037	2	Restrictor union
26	81 30 105	1	Restrictor union
27	85 81 169	1	Union
28	93 13 055	2	Set screw
29	91 00 305	4	Internal serrated washer
30	85 81 254	4	T piece
31	81 30 083	2	Relief valve body
32	81 30 029	2	Relief valve 190 bar
33	81 16 011	2	Spring
34	81 30 156	2	Relief valve housing
35	86 50 104	2	Bonded seal
36	86 50 102	2	Bonded seal
37	85 35 102	2	Hose 1/4 BSP x 17" long SF - 90F
38	42992.01	1	Valve cover
39	04.282.10	2	Stud
40	91 00 025	2	Dome nut
41	41741.02	1	Cover edge strip 360mm long - not illus.

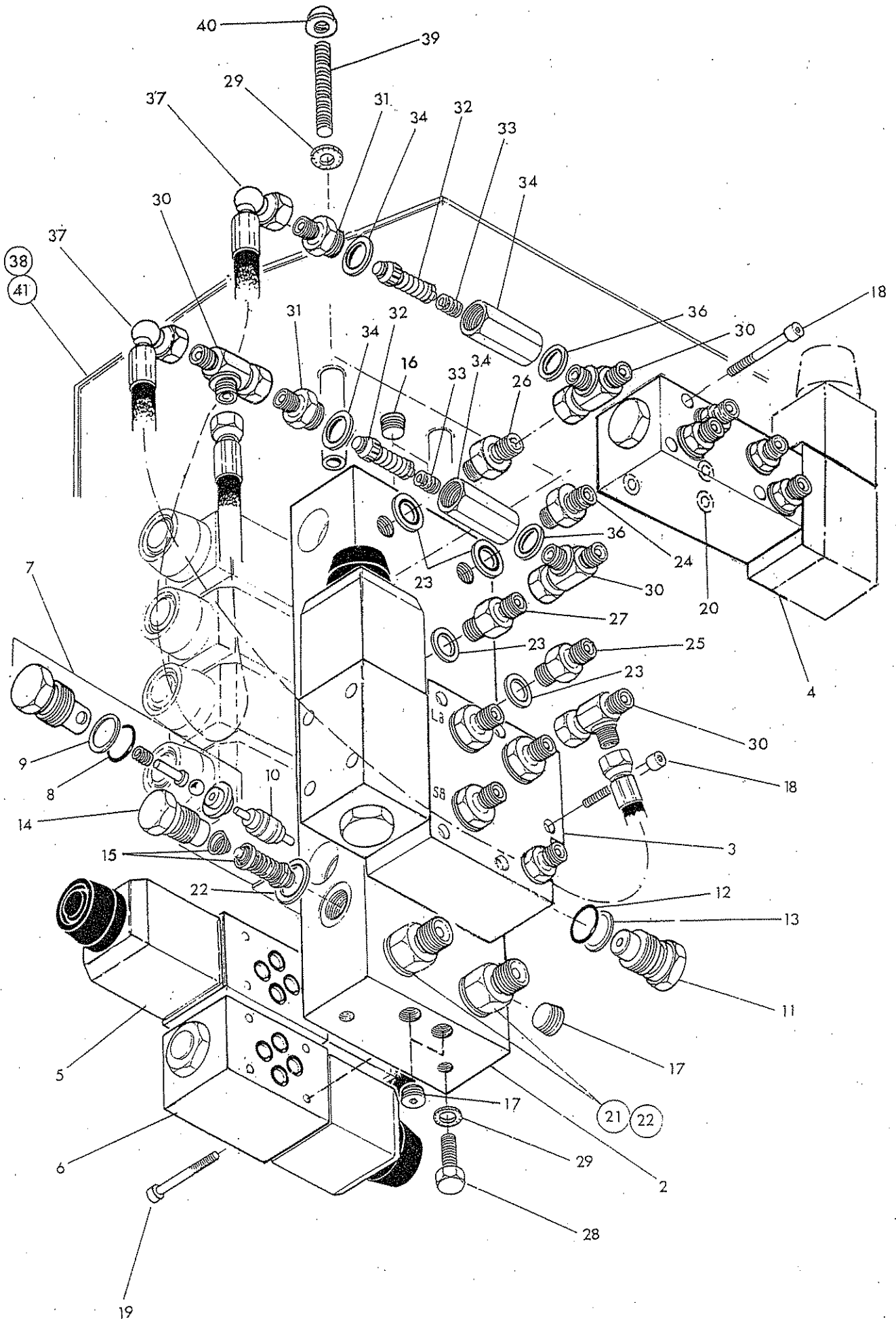
86 99 197

SEAL KIT

CONTROL VALVE - midcut-AHC



McCORMICK

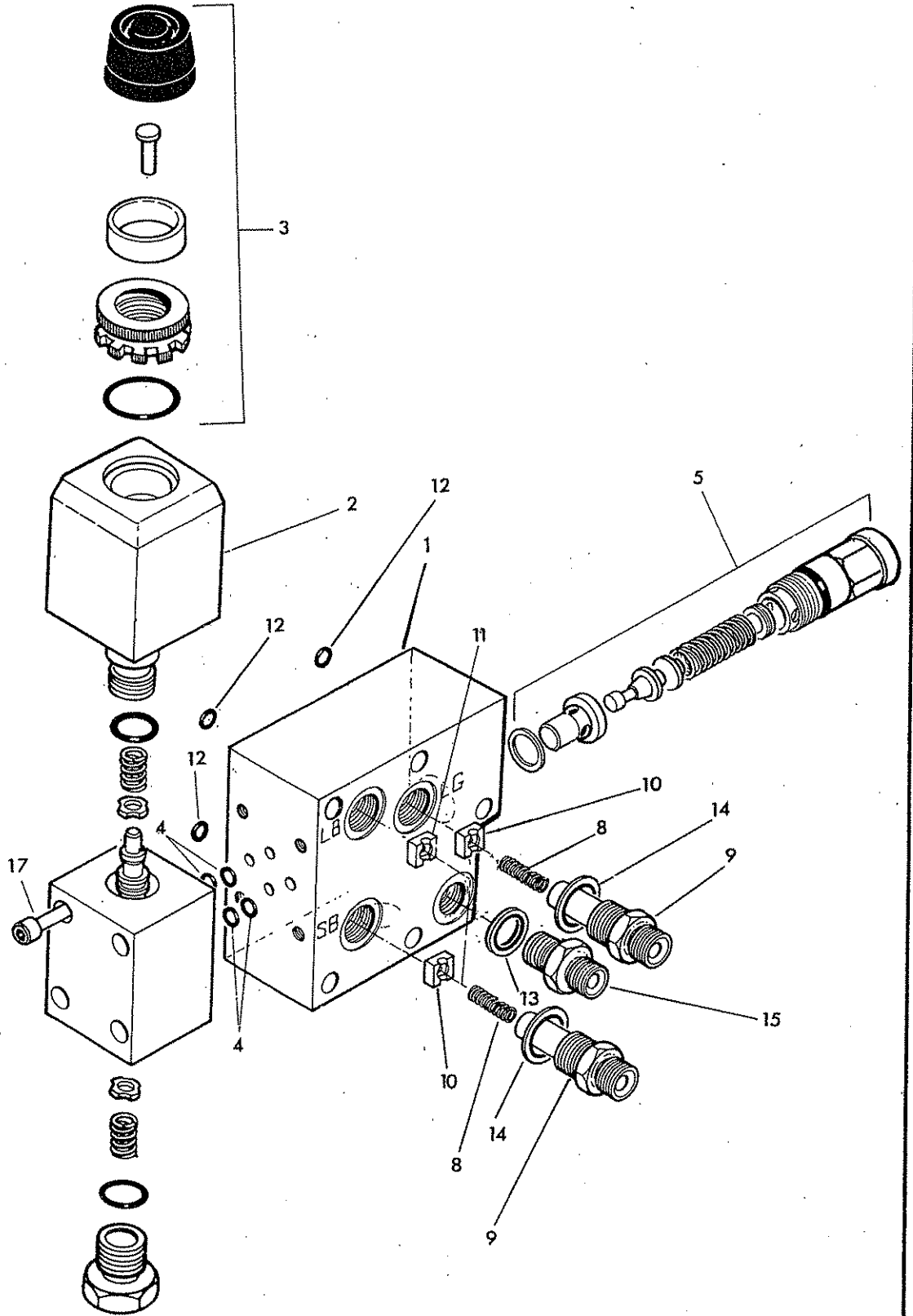


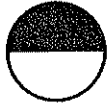


Ref	Part No	Qty	Description
CONTROL VALVE - MIDCUT ARM - AHC			
1	74 50 776	1	Solenoid/manifold assy - AHC compr:
2	81 32 269	1	Manifold block
3		1	Slew circuit valve
4		1	Head compensator/angle float valve
5		5	Double solenoid valve
6		1	Single solenoid valve
7	81 30 090	9	Check valve assembly
8	87 00 644	1	Check valve 'O' ring
9	87 09 644	1	Check valve anti extrusion ring
10	81 30 087	5	Actuator
11	81 30 078	1	Check valve blank
12	87 00 644	1	'O' ring
13	87 09 644	1	Anti extrusion ring
14	81 30 032	1	Relief valve cap
15	81 30 029	1	Relief valve c/w spring - 175 bar
16	85 82 042	3	Taper plug
17	85 82 043	2	Taper plug
18	92 43 082	9	Socket head cap screw
19	92 43 062	24	Socket head cap screw
20	87 00 511	3	'O' ring
21	60 00 112	2	Adaptor
22	86 50 103	2	Bonded seal
23	86 50 102	4	Bonded seal
24	81 30 038	1	Restrictor union
25	81 30 037	1	Restrictor union
26	81 30 105	1	Restrictor union
27	85 81 169	1	Union
28	93 13 055	2	Set screw
29	91 00 305	4	Internal serrated washer
30	85 81 254	4	T piece
31	81 30 083	2	Relief valve body
32	81 30 029	2	Relief valve 190 bar
33	81 16 011	2	Spring
34	81 30 156	2	Relief valve housing
35	86 50 104	2	Bonded seal
36	86 50 102	2	Bonded seal
37	85 35 102	2	Hose 1/4 BSP x 17" long SF - 90F
38	42992.01	1	Valve cover
39	04.282.10	2	Stud
40	91 00 025	2	Dome nut
41	41741.02	1	Cover edge strip 360mm long - not illus.

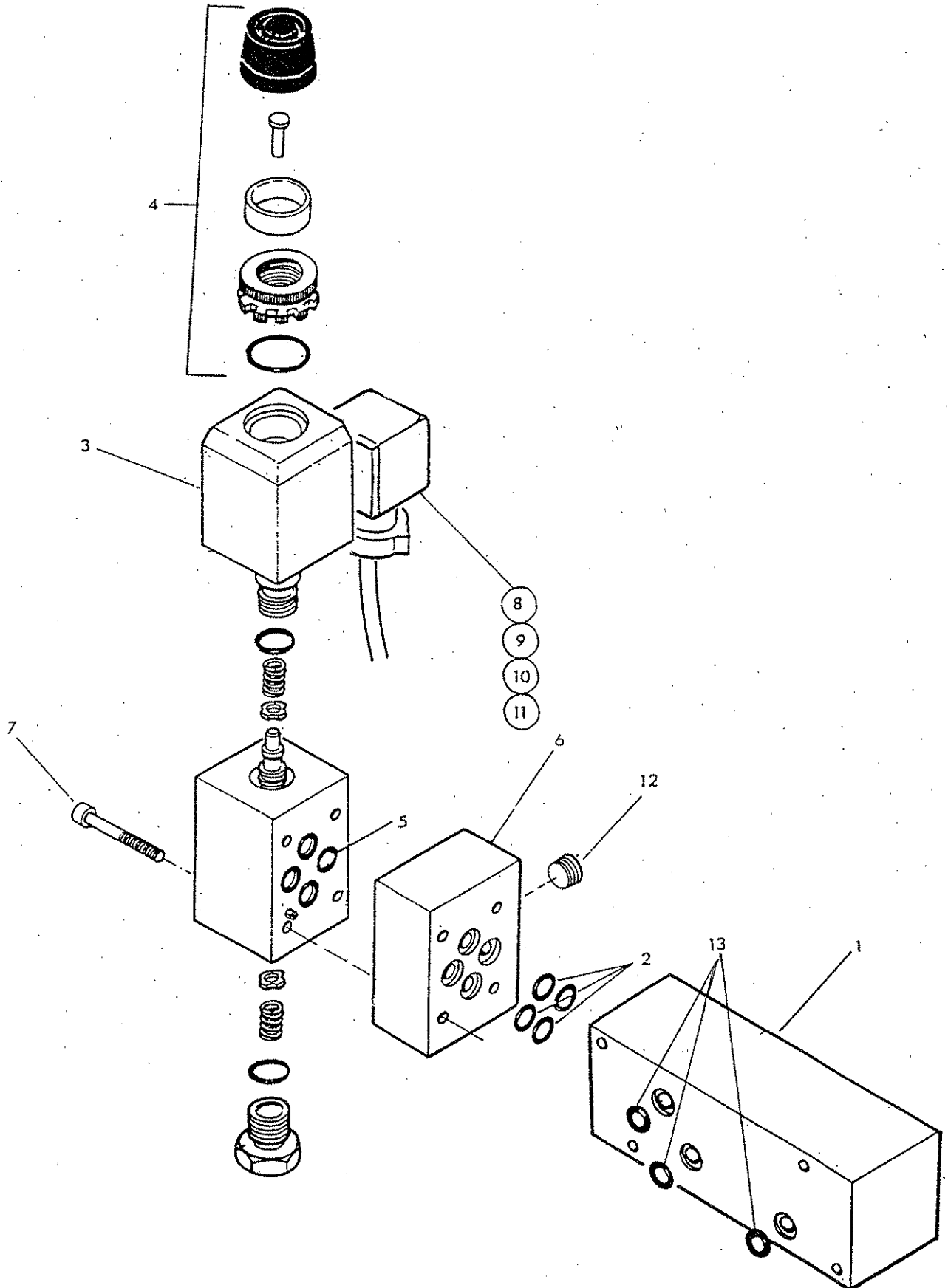
86 99 197

SEAL KIT





Ref.	Part No.	Qty.	Description
	81 30 349		SLEW VALVE ASSEMBLY
1	81 30 348	1	Valve block
	81 30 457	1	Single solenoid valve incl:
2	81 30 175	1	Coil
3	81 30 176	1	Manual override kit
4	86 00 107	4	'O' ring
5	G381 2540	1	Relief valve assembly 170 bar(2500 PSI)
9	85 81 210	3	Special union
10	81 23 041	2	Restrictor disc red-Lift gland,slew base
11	81 23 043	1	Restrictor disc green-Lift base
12	87 00 511	3	'O' ring
13	86 50 102	1	Bonded seal
14	86 50 103	3	Bonded seal
15	85 81 169	1	Union
16	85 82 041	4	Plug
17	92 43 102	4	Capscrew -socket headed
	86 99 224		SOLENOID SEAL KIT



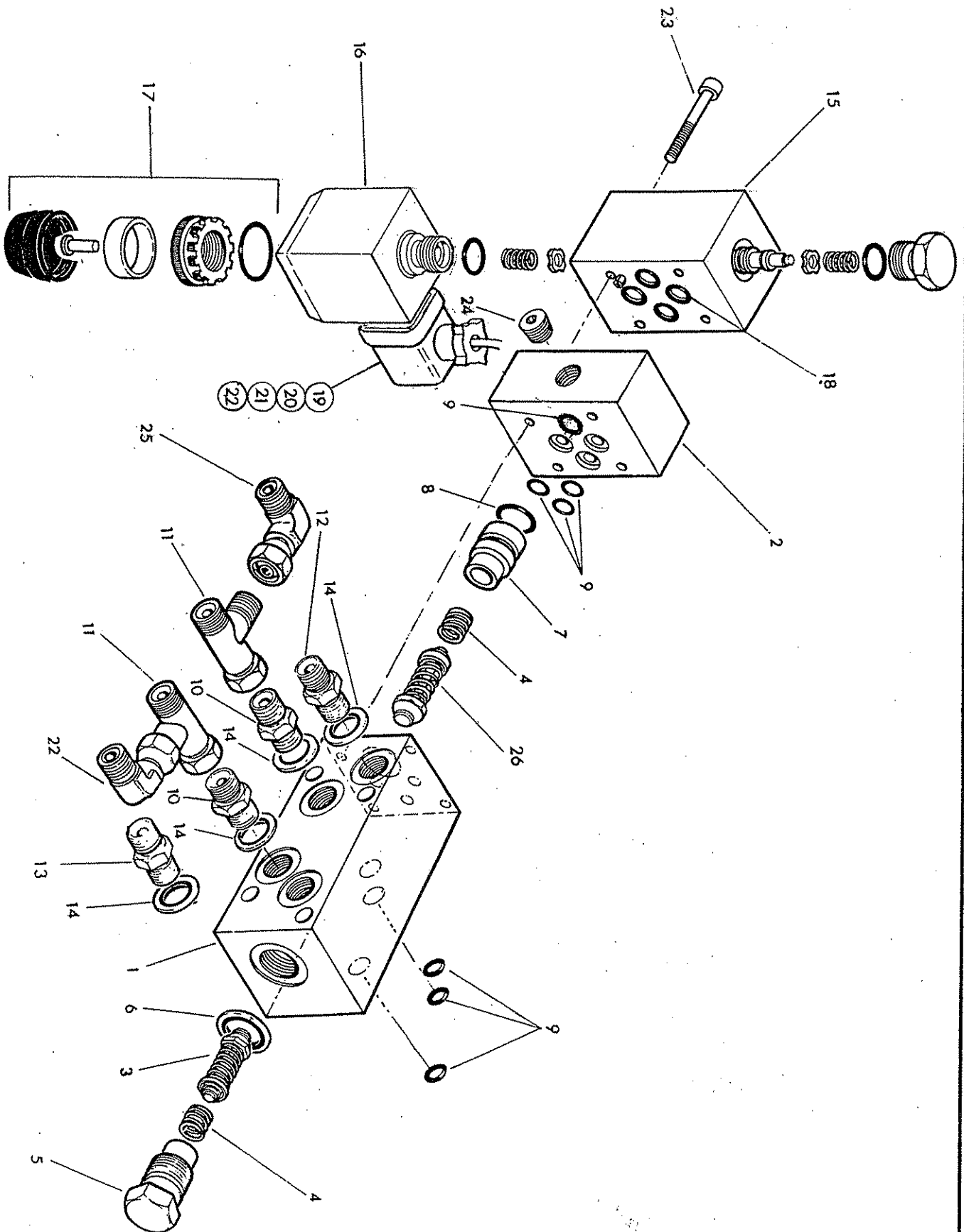


REF	PART NO.	QTY	DESCRIPTION
			ANGLE FLOAT VALVE - for non AHC models
1	81 30 323	1	Float valve block
2	87 00 511	4	'O' ring
	81 30 457	1	Angle float solenoid incl:
3	81 30 175	2	Coil
4	81 30 176	1	Manual override kit
5	86 00 107	4	'O' ring
6	81 26 280	1	Bridging plate
7	92 43 102	4	Setscrew socket headed
8	84 02 338	1	Wiring harness incl. plug+gasket
9	07.835.04	1	Plug c/w screw + gasket
10	07.835.03	1	Screw
11	07.835.02	1	Gasket
12	85 82 041	1	Plug
13	87 00 511	3	'O' ring
	86 99 224		SOLENOID SEAL KIT

COMPENSATOR VALVE / ANGLE
FLOAT-AHC Models



McCormick



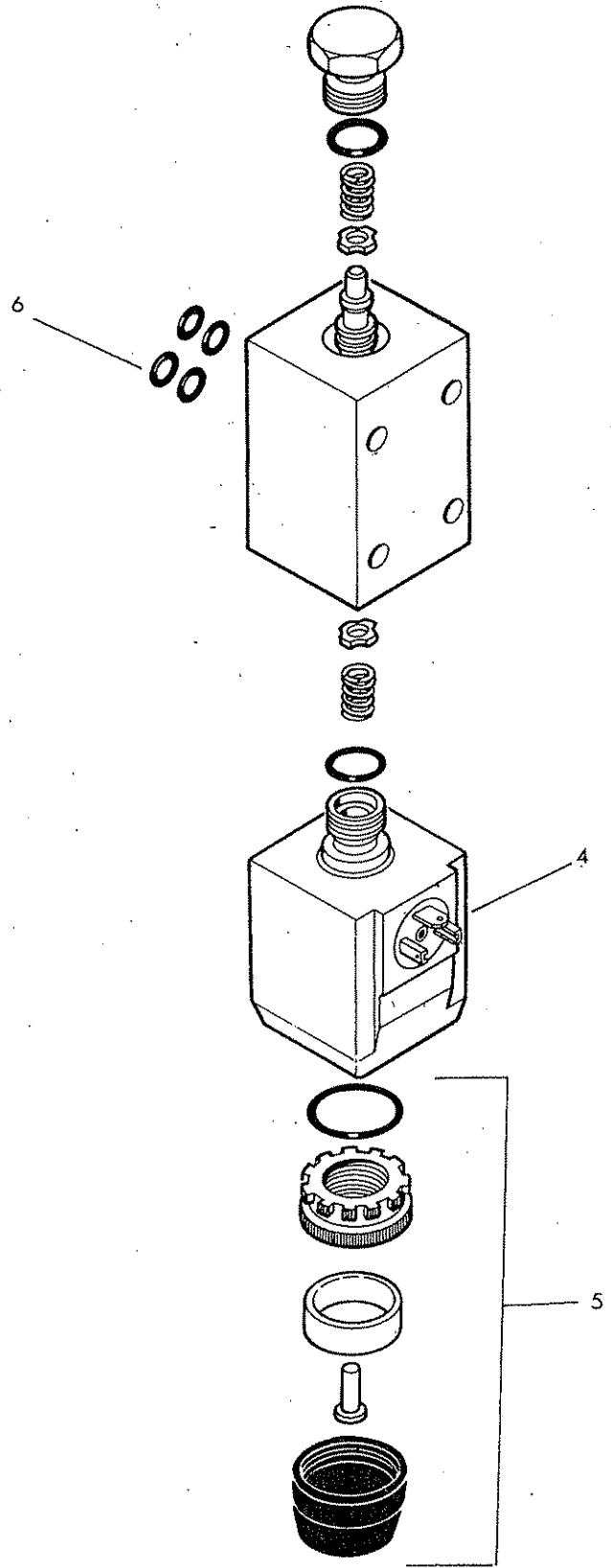
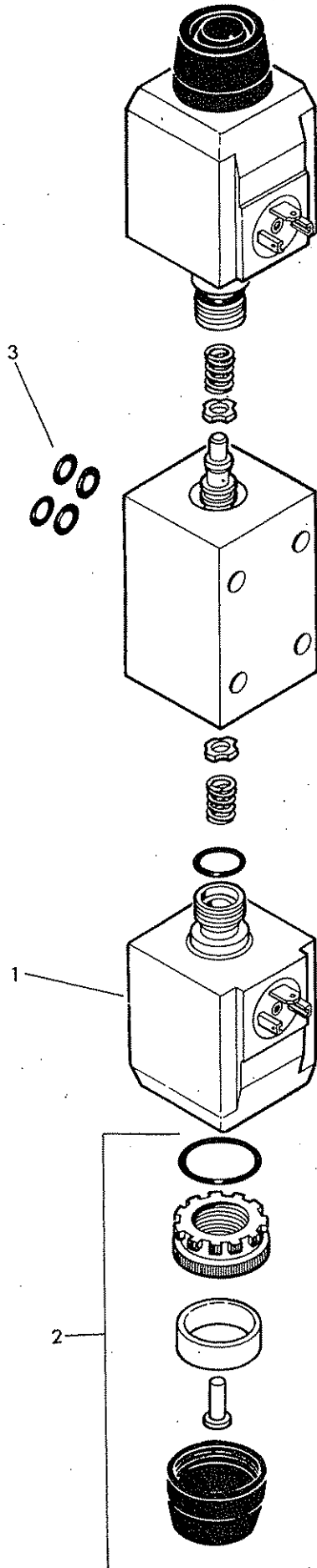
**McCOMELL**

REF	PART NO	QTY	DESCRIPTION
			HEAD COMPENSATOR AND ANGLE FLOAT VALVE AHC ONLY
1	81 30 361	1	Valve block
2	81 26 280	1	Bridging plate
3	81 30 141	1	Relief valve cartridge
4	81 16 011	2	Spring
5	81 30 032	1	Relief valve cap
6	86 50 103	1	Bonded seal
7	81 30 140	1	Relief valve plug
8	86 00 109	1	'O' ring
9	87 00 511	7	'O' ring
10	85 81 169	2	Union
11	85 81 254	2	Tee piece
12	81 30 037	1	Restrictor union 'S'
13	81 30 038	1	Restrictor union 'L'
14	86 50 102	4	Bonded seal
15	81 30 457	1	Single solenoid valve compr:-
16	81 30 175	1	Coil
17	81 30 176	1	Manual override kit
18	86 00 107	4	'O' ring
19	84 02 338	1	Wiring harness incl. plug+gasket
20	07.835.04	1	Plug c/w screw + gasket
21	07.835.03	1	Screw
22	07.835.02	1	Gasket
23	92 43 102	4	Capscrew - socket headed
24	85 82 041	1	Plug
25	85 81 190	2	Elbow
26	81 30 151	1	Relief valve cartridge
	86 99 224		SOLENOID SEAL KIT

SOLENOIDS



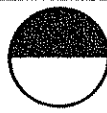
MCCORMICK



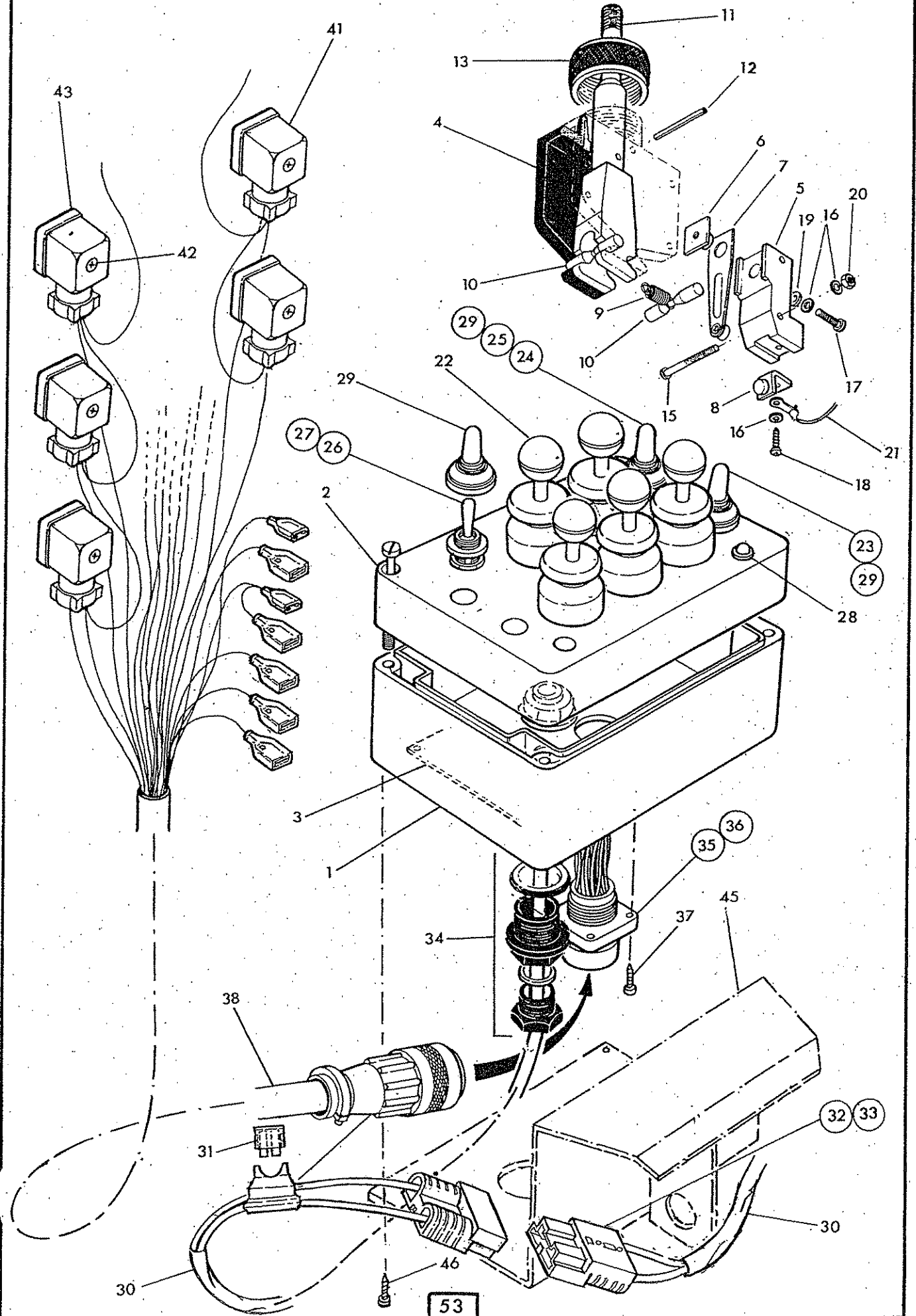


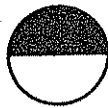
Ref.	Part No.	Qty.	Description
	81 30 455		DOUBLE SOLENOID VALVE
1	81 30 175	2	Coil
2	81 30 176	2	Manual override kit
3	86 00 107	4	'O' ring
	81 30 456		SINGLE SOLENOID VALVE
4	81 30 175	1	Coil
5	81 30 176	1	Manual override kit
6	86 00 107	4	'O' ring
	86 99 224		SEAL KIT

SWITCHBOX & LOOM

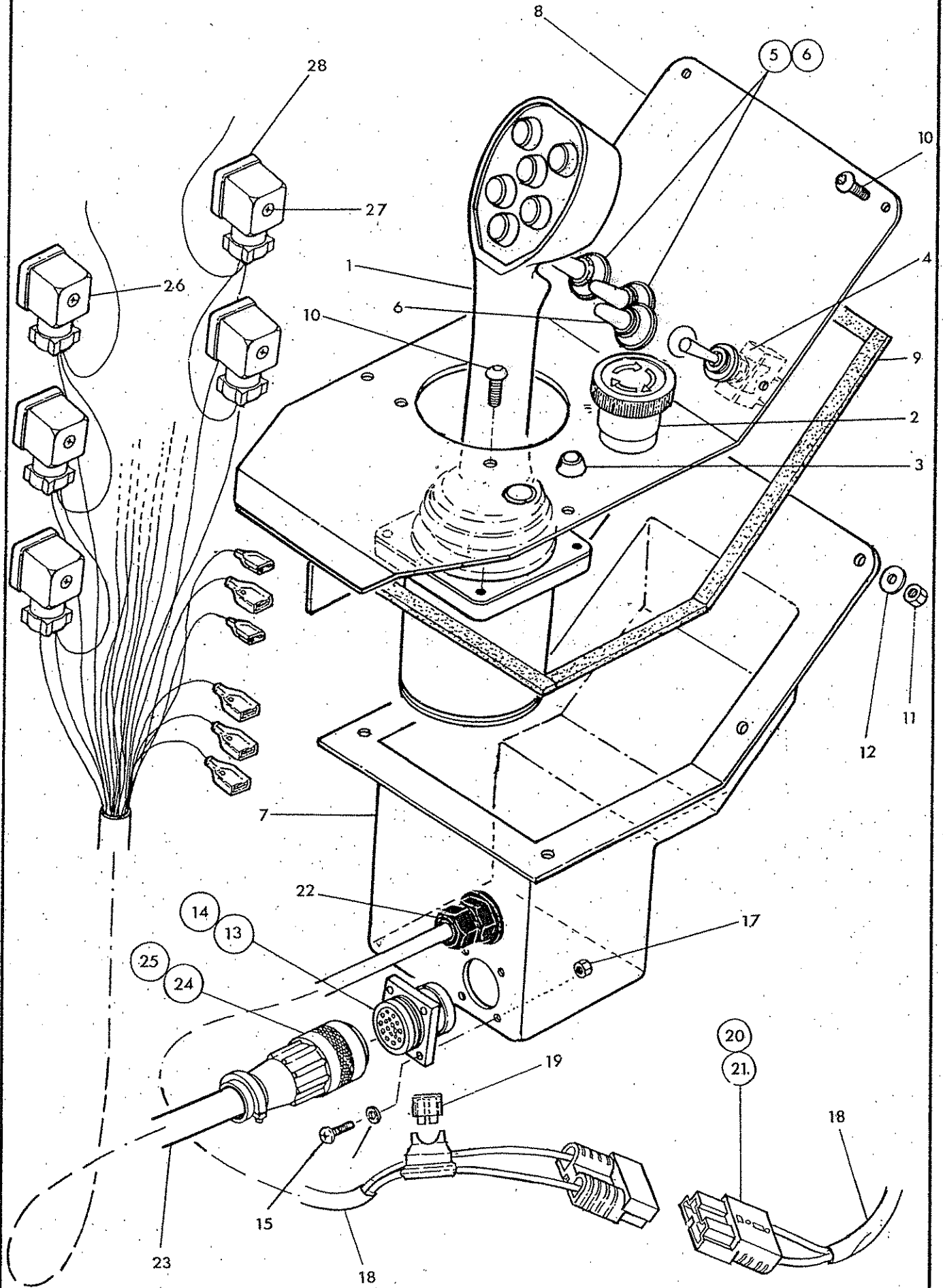


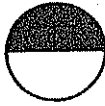
McDONNELL





Ref. Part No.	Qty.	Description
41845.03		MULTI 5 LEVER SWITCHBOX FOR GEAR HYDRAULIC MACHINES
1	1	Box
2	1	Lid c/w screws
3	1	Circuit board
	5	Lever switch unit comprising:-
4	1	Switch body
5	2	Contact holder
6	2	Spring contact retainer
7	2	Spring contact
8	2	Fixed contact
9	1	Spring
10	2	Bar
11	1	Lever
12	1	Spring dowel
13	1	Bezel ring
14	1	Lever gaiter
15	4	Screw - posidrive panhead
16	8	External serrated washer
17	2	Screw posidrive pan head
18	2	Self tapping screw
19	2	Plain washer
20	2	Nut plated
21	5	Loom - lever switch
22	5	Knob - black
23	1	Switch - power on/off
24	1	Switch - slew/auto reset
25	1	Loom - slew/auto reset switch
26	1	Switch - Float
27	1	Loom - Float switch
28	1	L.E.D. and loom
29	3	Weather gaiter
30	1	Power loom incl.
31	1	Fuse
32	2	Contact housing
33	4	Contacts
34	1	Gland
35	1	Socket shell
36	17	Pin socket
37	4	Screw
38	1	Wiring loom incl.
39	1	Shell
40	1	Cable clamp
41	12	Plug incl. screw + gasket
42	1	Screw
43	1	Gasket
44	1	Special tool
45	1	Mounting bracket
46	4	Self tapping screw



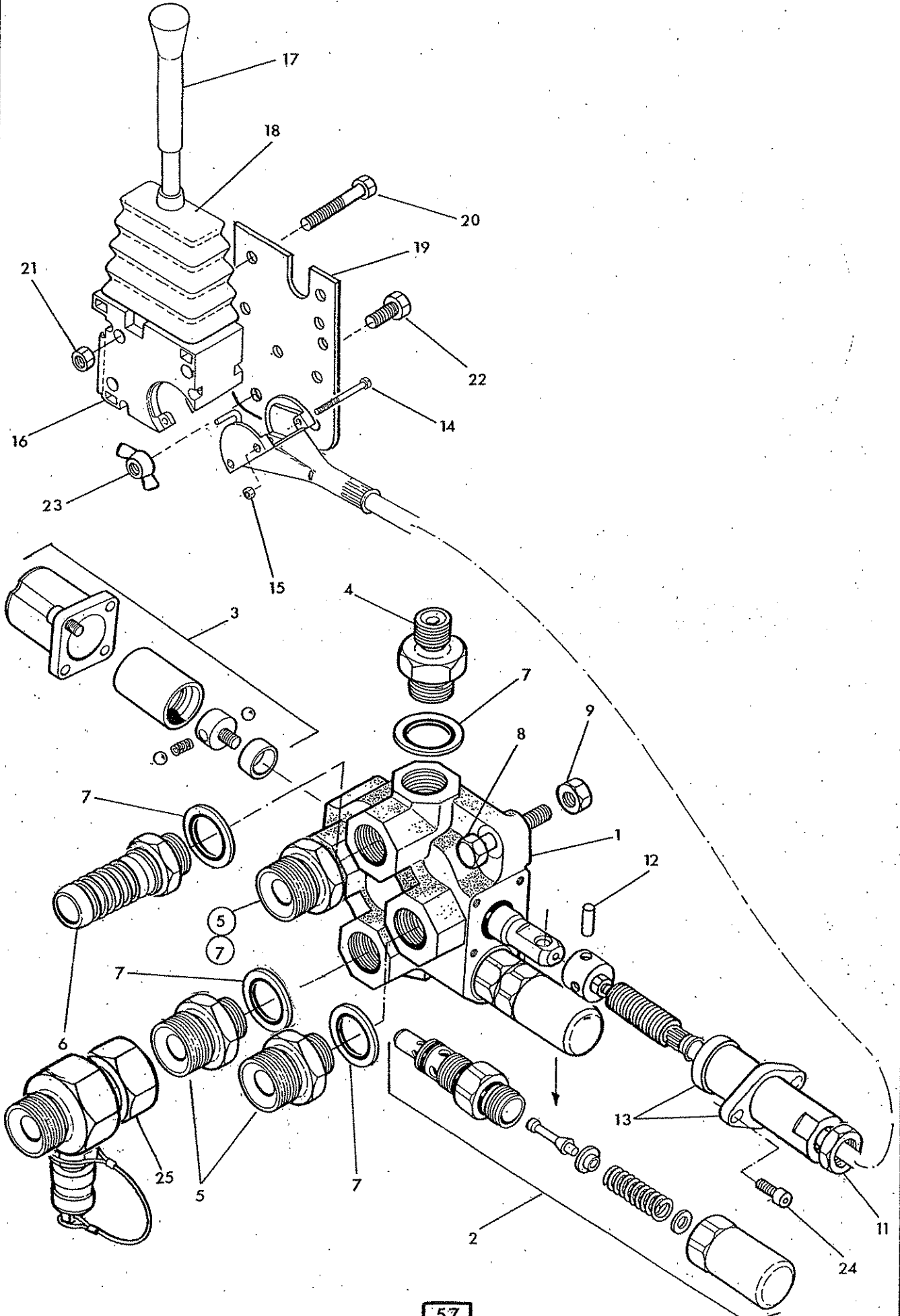


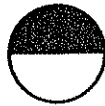
Ref.	Part No.	Qty.	Description
	41590.03		MONOLEVER 6 BUTTON CONTROL ASSY FOR GEAR HYDRAULICS
1	41590.32	1	Joystick incl. circuit board
2	84 02 184	1	Power on/emergency stop
3	84 02 174	1	L.E.D. main power on
4	84 02 182	1	Switch - slew/auto reset
5	84 02 023	2	Switch Lift and angle float
6	84 02 024	3	Weather cover
7	75 50 300	1	Cover pod
8	75 50 339	1	Top plate
9	72 90 052	1	Sealing strip -cut to suit
10	93 00 125	10	Screw - button head
11	91 43 003	6	Self locking nut
12	91 00 103	6	Washer
13	84 02 189	1	Socket shell
14	84 02 192	14	Female socket pin
15	92 00 007	4	Screw posidrive panhead
16	91 00 400	4	External serrated washer
17	91 00 013	4	Nut - plated
18	84 02 232	1	Power loom incl.
19	43 034.03	1	Fuse
20	84 02 230	2	Contact housing
21	84 02 229	4	Contacts
22	84 02 042	1	Gland
23	41844.01	1	Wiring loom incl.
24	84 02 188	1	Shell
25	84 02 190	1	Cable clamp
26	07.835.04	12	Plug incl. screw + gasket
27	07.835.03	1	Screw
28	07.835.02	1	Gasket
29	84 02 193	1	Special tool

ROTOR CONTROL

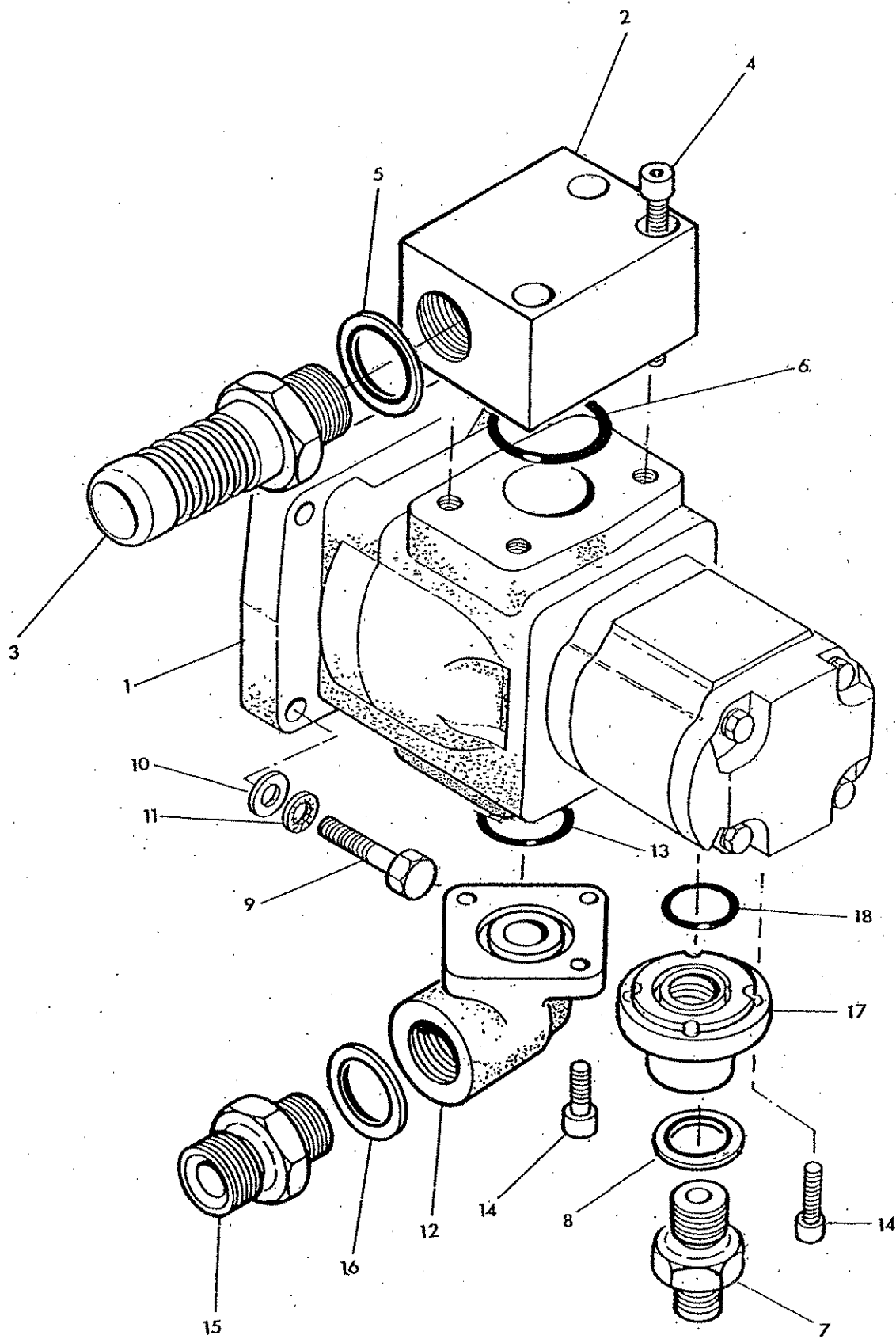
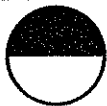


McCORMICK





Ref	Part No	Qty	Description
ROTOR CONTROL VALVE ASSEMBLY			
1	81 25 355	1	Rotor control valve
2	81 25 095	1	Relief valve
3	81 25 109	1	Detent assembly
4	85 81 130	1	Adaptor
5	80 02 086	3	Adaptor
6	85 81 246	1	Adaptor low pressure
7	86 50 106	5	Bonded seal
8	92 13 085	2	Bolt
9	91 43 005	2	Self locking nut
10	80 17 045	1	Lever & cable assembly - rotor control compr:
11	80 17 014	1	Locknut
12	80 17 021	1	Pin
13	80 17 018	1	Flange and sleeve
14	93 73 081	2	Screw
15	91 13 001	2	Nut
16	80 17 024	1	Lever pivot box
17	09.968.99	1	Knob
18	80 17 026	1	Weather gaiter
19	76 50 282	1	Lever mounting plate
20	92 13 113	3	Bolt
21	91 43 003	3	Self locking nut
22	93 13 034	2	Setscrew
23	91 93 004	2	Wingnut
24	93 43 023	2	Capscrew
25	81 31 012	1	Test point
86 99 218			SEAL KIT

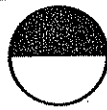




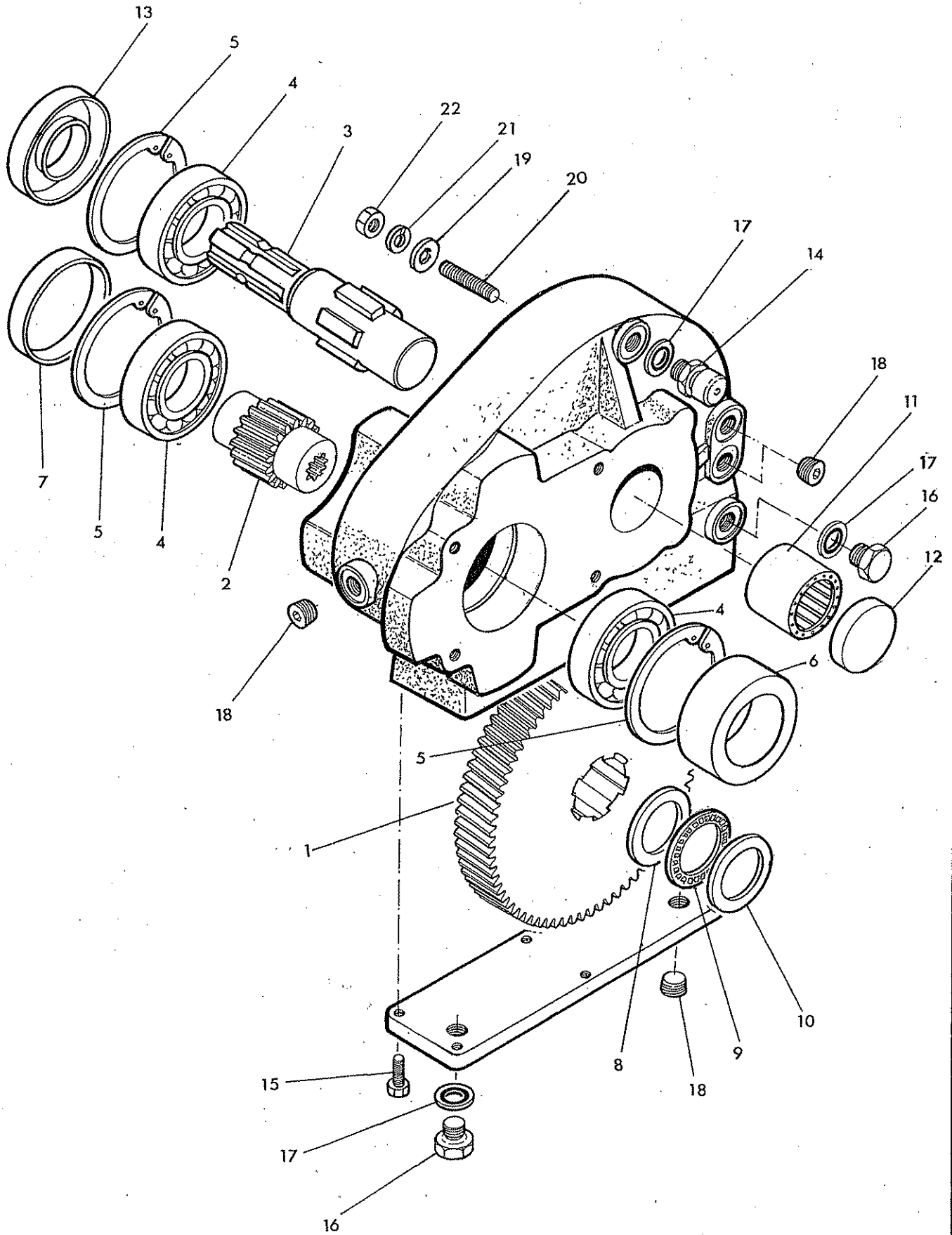
Ref	Part No	Qty	Description
PUMP ASSEMBLY			
1	82 01 700	1	Tandem pump compr:
	82 01 165	1	Large pump
	82 01 166	1	Small pump
2	42142.01	1	Suction flange
3	85 81 260	1	Adaptor low pressure
4	92 43 126	3	Capscrew
5	86 50 109	1	Bonded seal
6	86 00 304	1	'O' ring
7	85 81 110	1	Adaptor
8	86 50 104	1	Bonded seal
9	93 13 074	4	Bolt
10	91 00 104	4	Plain washer
11	91 00 404	7	Shakeproof wahser
12	80 05 052	1	Pressure connection
13	86 00 403	1	'O' ring
14	93 00 147	7	Capscrew
15	80 02 086	1	Adaptor
16	86 50 106	1	Bonded seal
17	42029.01	1	Pressure connection
18	86 00 405	1	'O' ring

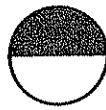
86 99 234 **SEAL KIT**
86 29 209 Shaft seal

GEARBOX



McCORMICK



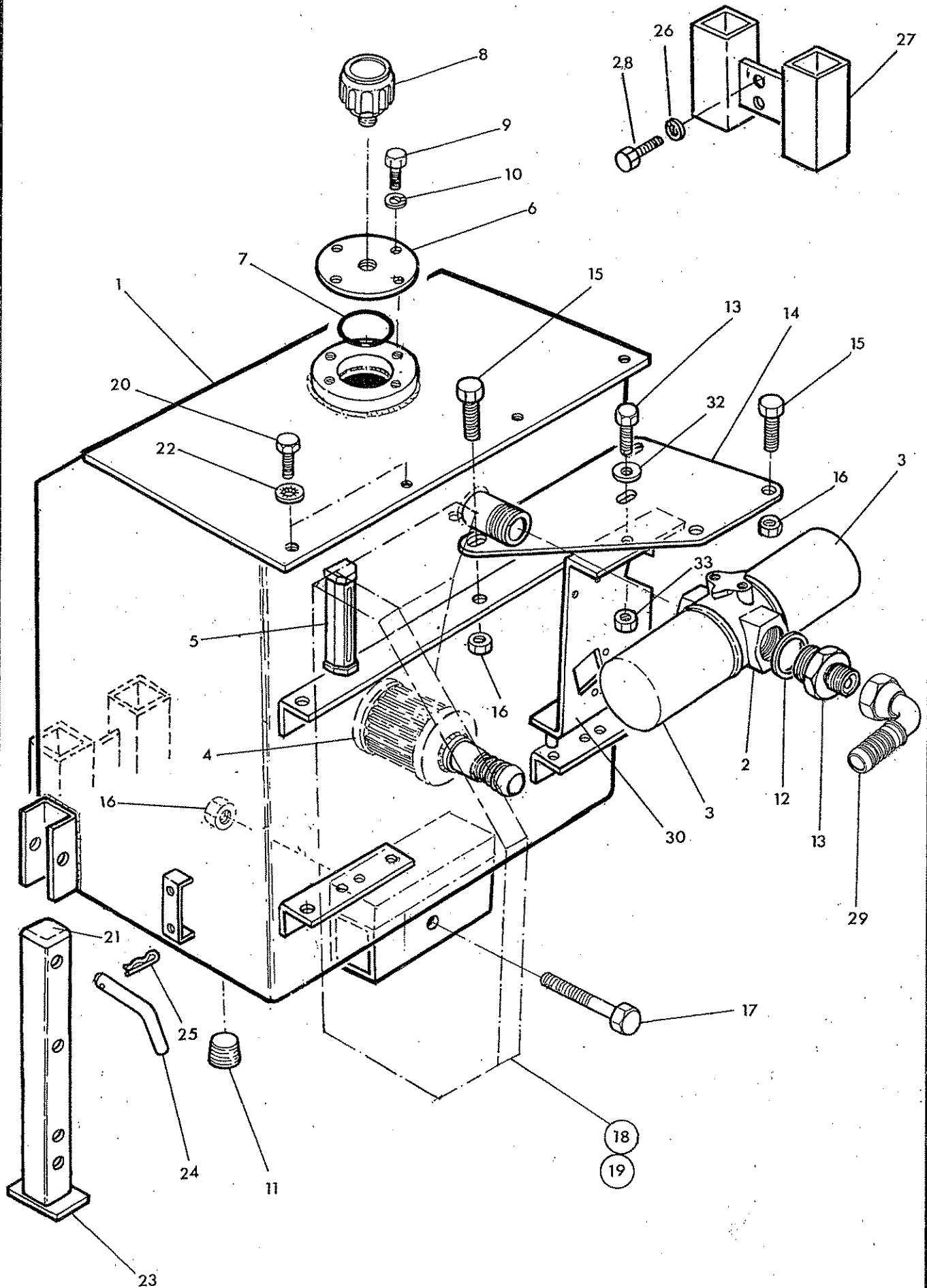


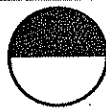
Ref	Part No	Qty	Description
	42693.03		GEARBOX ASSEMBLY incl:
1	80 13 103	1	Gear - 72 teeth
2	42693.33	1	Pinion - 17 teeth
3	42693.34	1	Input shaft
4	06 00 042	3	Bearing
5	42693.36	3	Internal circlip
6	42693.48	1	Spacing collar
7	42693.40		Blanking plug
8	42693.45	1	Shaft piloted washer
9	42693.46	1	Thrust roller bearing
10	42693.47	1	Housing piloted washer
11	42693.44	1	Needle roller bearing
12	42693.49	1	Blanking plug
13	42693.39	1	Seal
14	42693.58	1	Breather
15	93 13 044	6	Setscrew
16	85 81 113	2	Hexagon plug
17	86 50 102	3	Bonded seal
18	42693.41	4	Taper plug - socket headed
19	91 00 106	4	Plain washer
20	04 282 17	4	Stud
21	91 00 206	4	Spring washer
22	91 13 006	4	Plain nut

TANK



McCOMEL





Ref Part No Qty Description

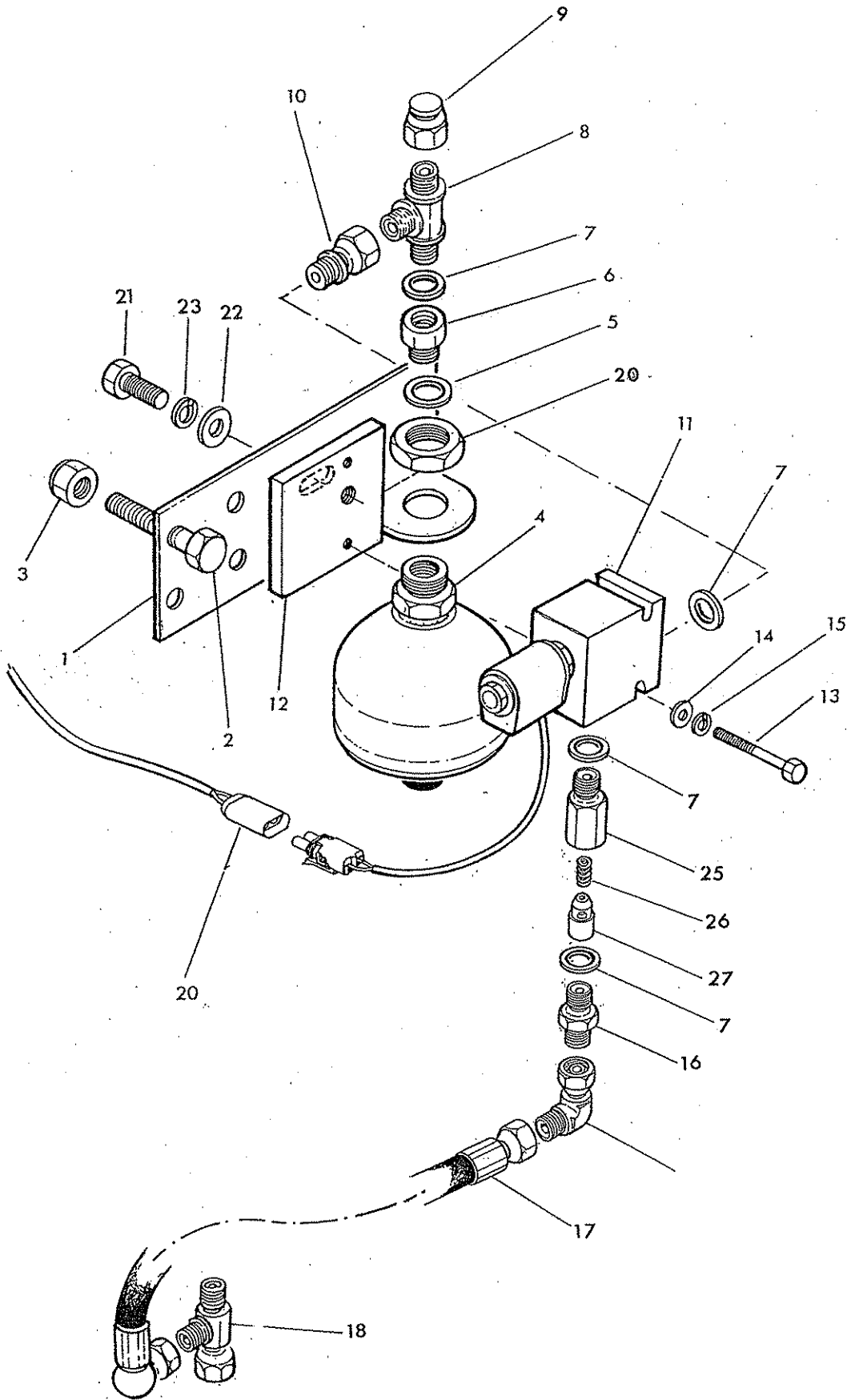
OIL TANK AND FITTINGS

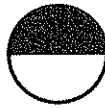
1	41523.03	1	Oil tank	
2	84 01 060	1	Filter head	
3	84 01 041	2	Filter element	
4	84 01 047	1	Strainer	
5	84 01 048	1	Level guage	
6	71 92 063	1	Cover	
7	86 00 151	1	'O' ring	
8	84 01 063	1	Breather	
9	93 13 054	4	Setscrew	
10	91 00 204	4	Spring washer	
11	85 81 203	1	Drain plug	
12	86 50 224	1	Bonded seal	
13	85 81 291	1	Adaptor	
14	41553.02	1	Tank stay bracket	
15	93 13 066	4	Setscrew	
16	91 43 006	5	Self locking nut	
17	92 13 226	1	Bolt	
18	41529.03	1	Tank fairing - L hand	
19	41529.04	1	Tank fairing - R hand	
20	93 13 035	2	Setscrew	
21	71 91 108	2	Plastic bung	
22	91 00 305	2	Shakeproof washer	
23	41773.01	2	Stand leg	
24	71 92 023	2	Leg pin	
25	04 31 105	2	Spring cotter	
26	91 00 205	2	Spring washer	
27	41743.01	1	Leg stow bracket	
28	91 13 065	2	Setscrew	
29	71 14 005	1	Swept elbow 1" BSP F - 1" low pressure	
30	43026.01	1	Valve mounting bracket	} cable machines only
31	93 13 045	1	Setscrew	
32	91 00 105	1	Plain washer	
33	93 43 005	1	Self locking nut	

LIFT FLOAT



MCCORMICK



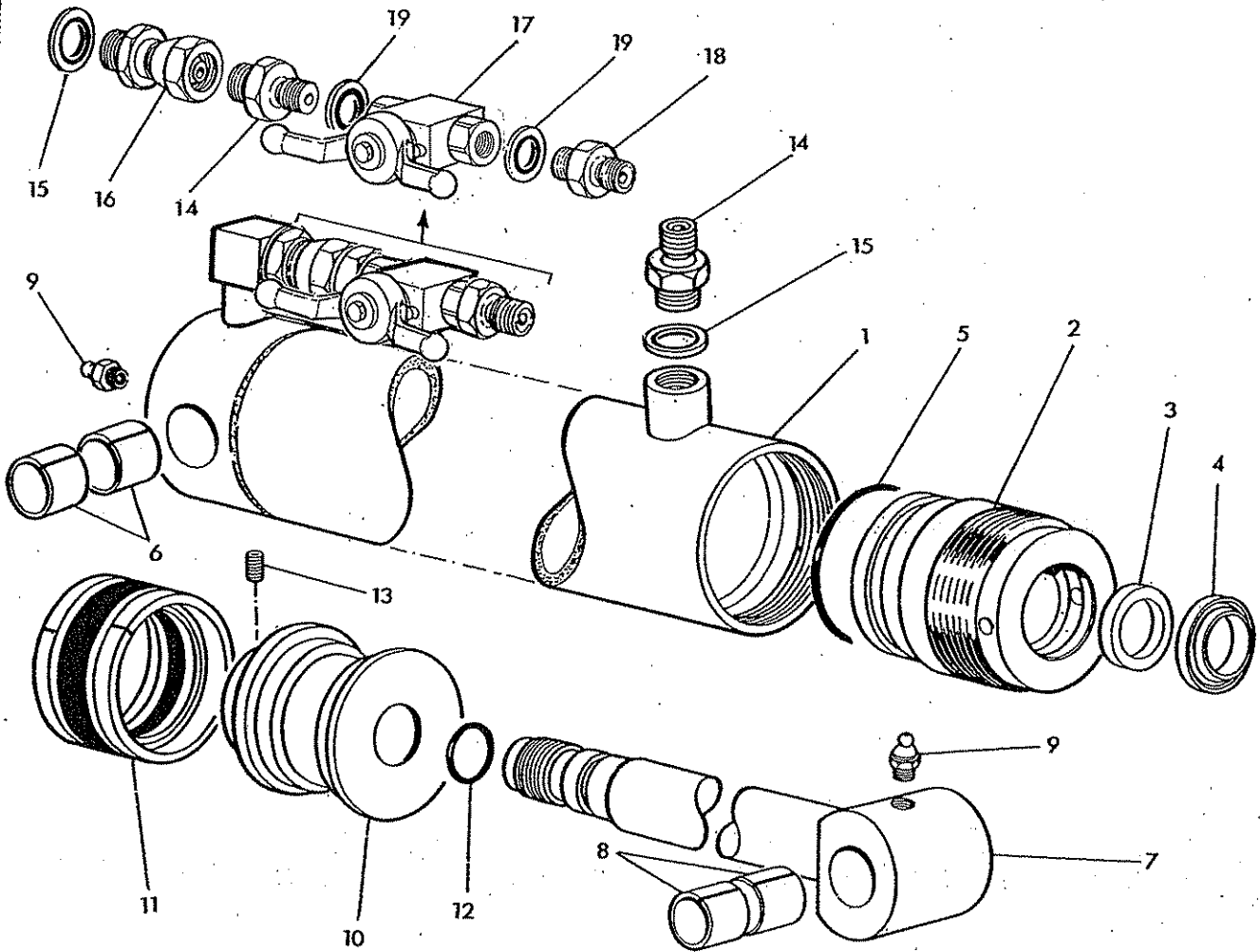


Ref	Part No	Qty	Description
	81 26 316		LIFT FLOAT KIT
1	42254.01	1	Mounting plate
2	92 13 127	2	Bolt
3	91 43 007	2	Self locking nut
4	81 26 044	1	Accumulator
5	86 50 322	1	Bonded seal
6	85 81 284	1	Adaptor
7	86 50 103	4	Bonded seal
8	85 81 267	1	Tee
9	52091	1	Cap
10	85 81 178	1	Straight swivel adaptor
11	08.619.09	1	Solenoid valve
12	42254.02	1	Spacer plate
13	92 13 133	2	Bolt
14	91 00 103	2	Plain washer
15	91 00 203	2	Spring washer
16	60 00 113	1	Union
17	10.004.15	1	Hose 3/8 BSP X 750 long
18	11.008.69	1	Tee
19	84 02 207	1	Loom
20	81 26 035	1	Thin bulkhead nut
21	93 13 055	1	Setscrew
22	91 00 105	1	Plain washer
23	91 00 205	1	Spring washer
24	85 81 117	1	Swivel elbow
25	81 26 307	1	Response body
26	81 16 011	1	Spring
27	81 26 037	1	Response piston

LIFT RAM



McCOMBELL

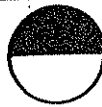


Ref	Part No	Qty	Description
	42095.02		LIFT RAM ASSEMBLY
	42095.01	1	Lift ram compr:
1	42095.31	1	Barrel
2	42095.38	1	Gland housing
3	86 29 158	1	Gland seal
4	86 29 152	1	Rod wiper
5	86 00 742	1	'O' ring
6	71 01 134	2	Bush
7	42968.01	1	Rod
8	60 12 032	2	Bush
9	09 01 121	2	Greaser
10	42095.34	1	Piston
11	86 38 742	1	Piston seal
12	86 00 119	1	'O' ring
13	93 63 023	1	Grubscrew
14	85 81 115	2	Union
15	86 50 103	2	Bonded seal
16	85 81 178	1	Swivel union
17	81 30 181	1	Tap
18	85 81 169	1	Union
19	86 50 102	2	Bonded seal

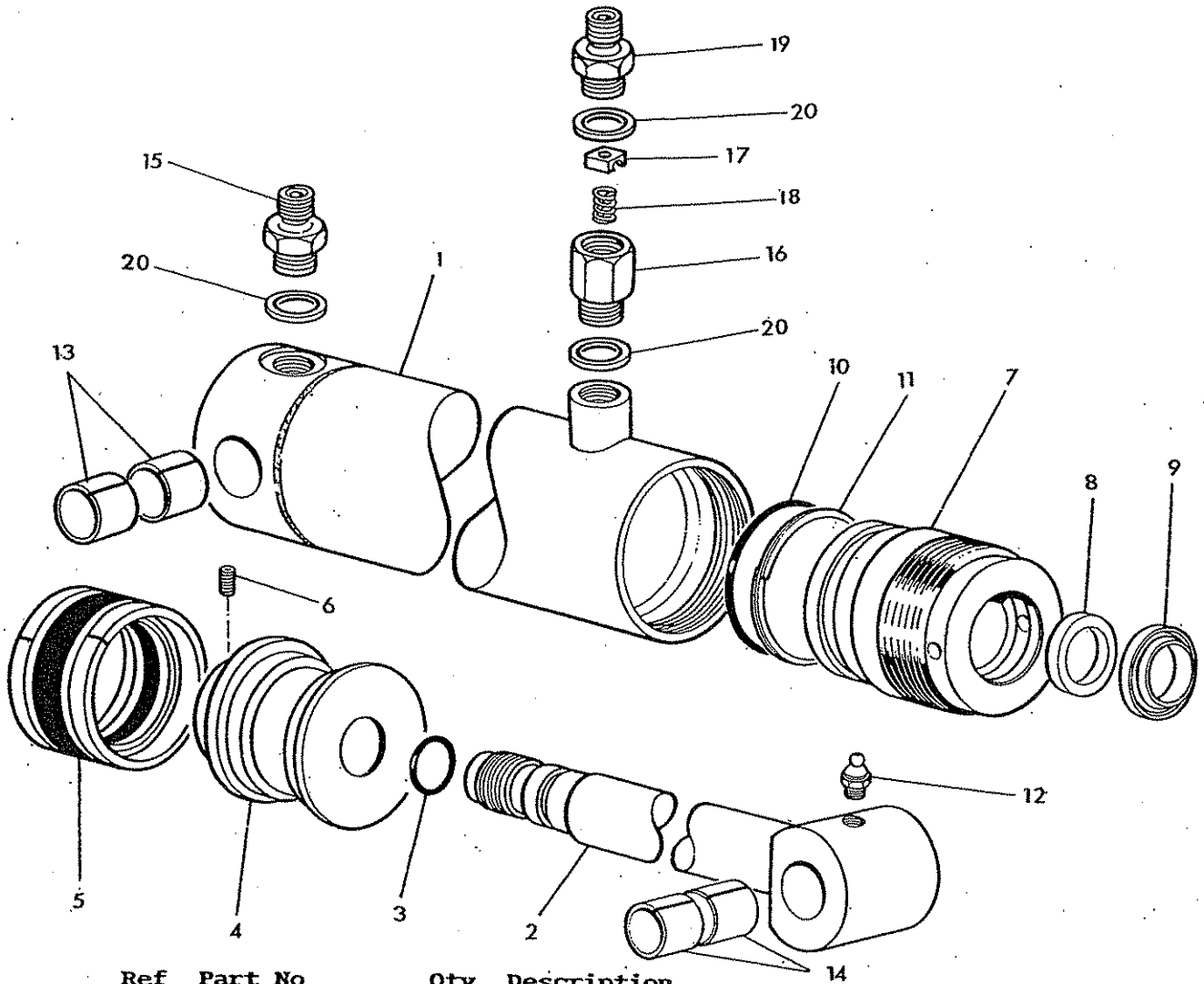
86 99 251

SEAL KIT

SLEW RAM



McDONNELL



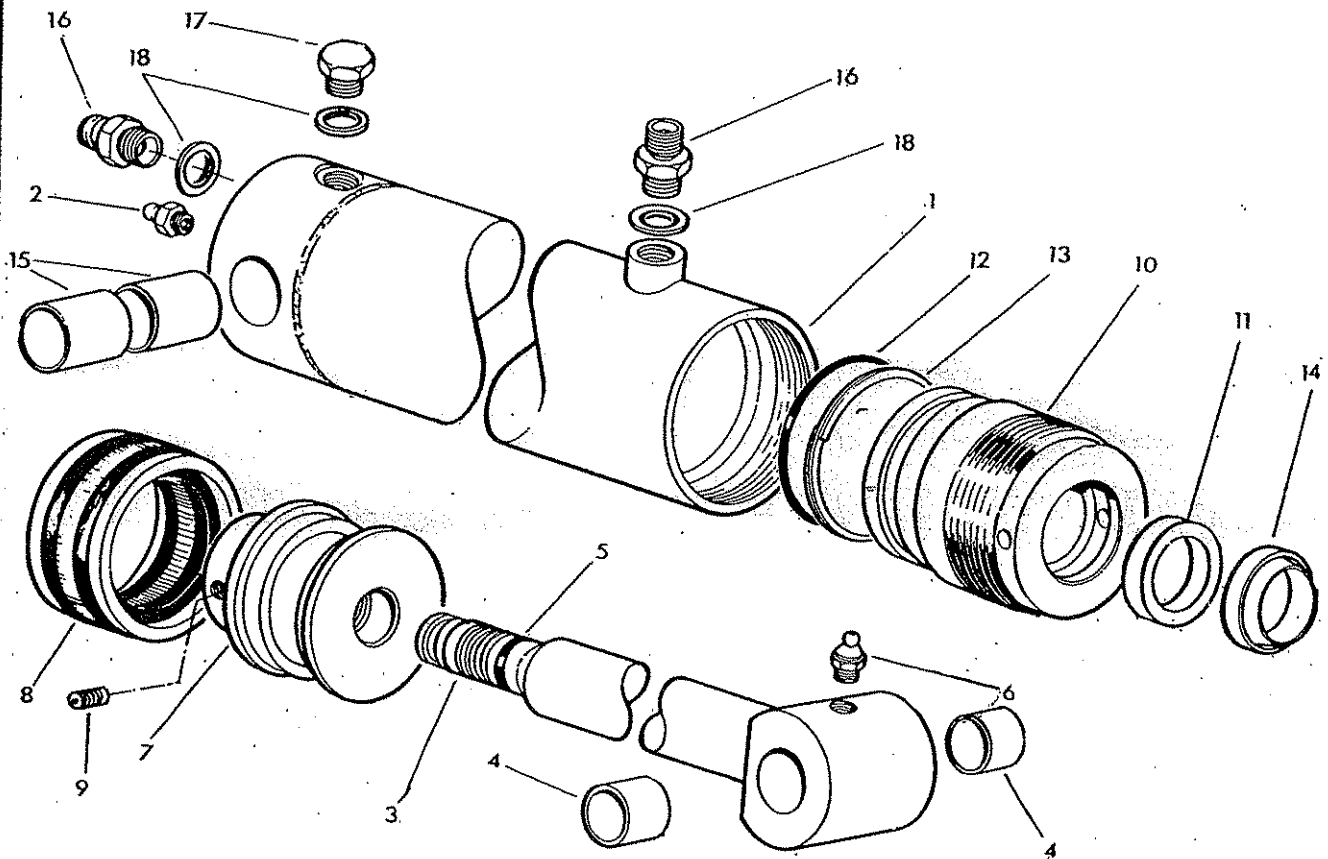
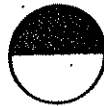
Ref	Part No	Qty	Description
	41565.03		SLEW RAM ASSEMBLY
1	41565.31	1	Cylinder
2*	41565.33	1	Rod
3	86 00 119	1	'O' ring
4*	71 35 004	1	Piston
5	86 38 740	1	Piston seal
6*	93 63 023	1	Grubscrew socket head
7	71 35 282	1	Gland housing
8	86 29 164	1	Gland seal
9	86 29 147	1	Wiper seal
10	87 00 740	1	'O' ring
11	87 09 740	1	Anti extrusion ring
12	09 01 121	1	Greaser
13	71 01 134	2	Bush - cylinder
14	60 12 032	2	Bush - rod
15	85 81 145	1	Adaptor
16	85 81 208	1	Restrictor body
17	81 23 041	1	Restrictor disc - red
18	81 16 011	1	Spring
19	85 81 145	1	Adaptor
20	86 50 103	3	Bonded seal

86 99 187

SEAL KIT

*** Assembly note:**

Assemble piston onto rod using 'Permabond A113' or similar medium strength thread locking compound. Tighten grubscrew firmly and centre punch.



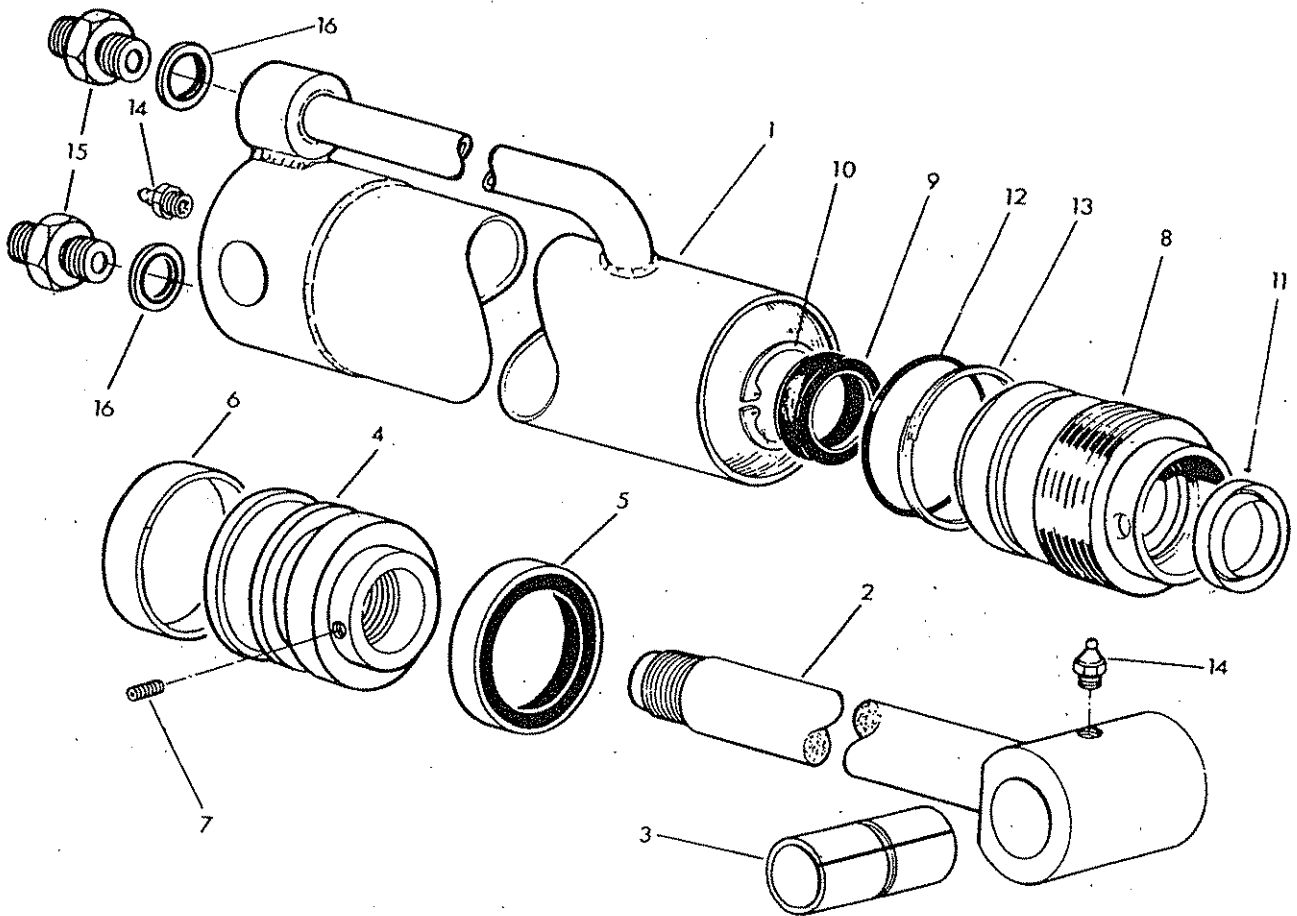
Ref.	Part No.	Qty.	Description
	71 93 334		REACH RAM ASSEMBLY
1	71 35 283	1	Ram cylinder
2	09 01 121	1	Greaser
3	71 93 029	1	Piston rod
4	60 12 032	2	Bush
5	86 00 119	1	'O' ring
6	09 01 121	1	Greaser
7	71 35 004	1	Piston c/w seal and grub screw
8	86 38 740	1	Piston seal
9	93 63 023	1	Grub screw
10	71 35 282	1	Gland housing
11	86 29 164	1	Gland seal
12	87 00 740	1	'O' ring
13	87 09 740	1	Anti extrusion ring
14	86 29 147	1	Wiper
15	71 01 134	2	Bush - ram base
16	85 81 115	2	Union
17	80 03 001	1	Plug
18	86 50 103	3	Bonded seal
	86 99 187		SEAL KIT

Assembly note Fully tighten item 9 and centre pop edge of hole to retian.

ANGLING RAM



McDONNELL



Ref.	Part No.	Qty.	Description
	75 60 344		ANGLING RAM ASSEMBLY
1	71 35 292	1	Cylinder
2	71 35 009	1	Rod
3	71 05 050	1	Bush
4	75 60 095	1	Piston
5	86 29 187	1	Piston seal
6	86 29 188	1	Bearing ring
7*	93 63 023	1	Grub screw socket head
8	71 35 291	1	Gland housing
9	86 29 148	1	Gland seal
10	04 16 240	1	Internal circlip
11	86 29 149	1	Wiper seal
12	86 00 302	1	'O' ring
13	86 09 302	1	Anti extrusion ring
14	09 01 121	2	Greaser
15	85 81 169	2	Union
16	86 50 102	2	Bonded seal
	86 99 188		SEAL KIT

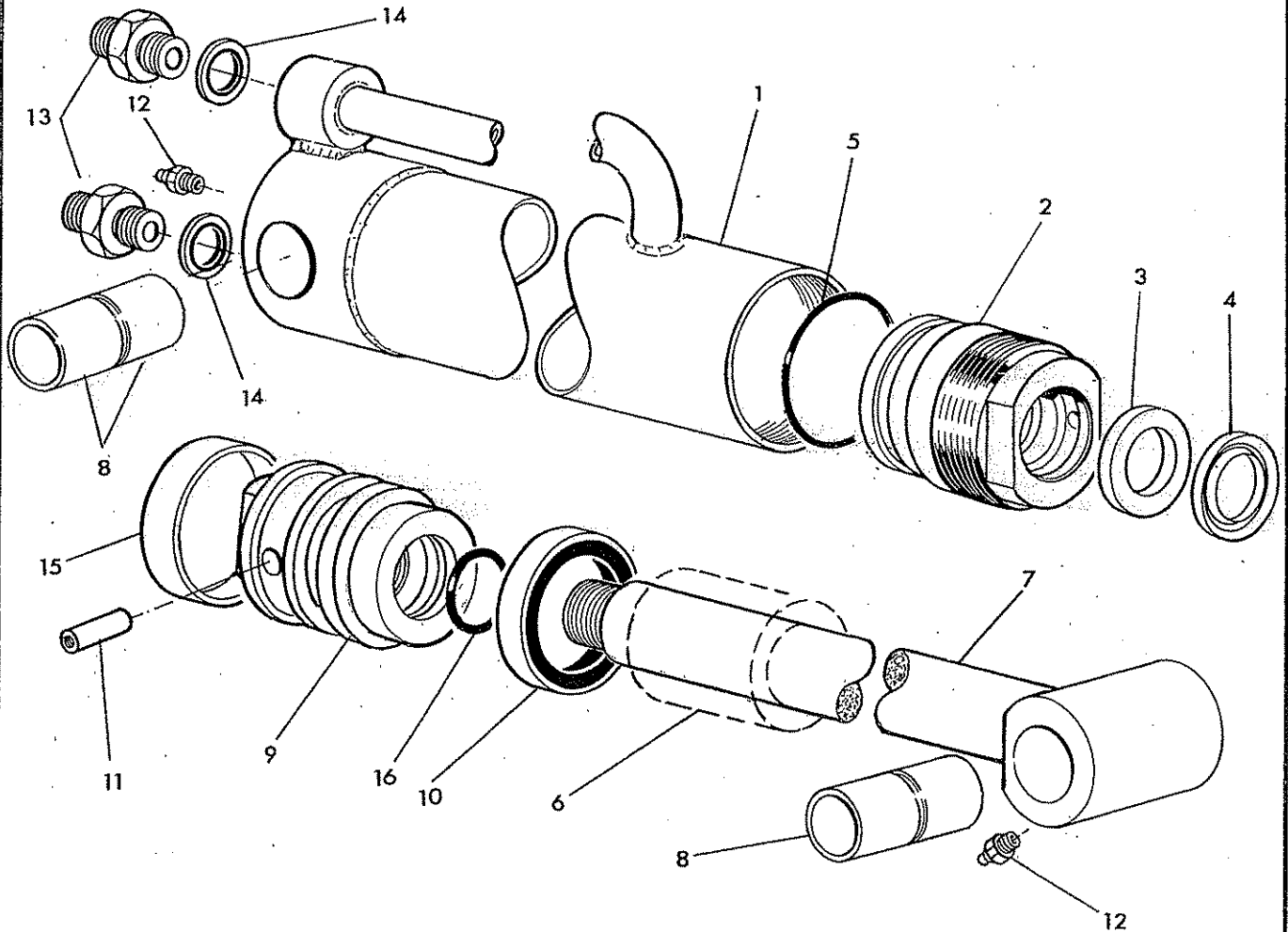
*Assembly note

Tighten fully and centre punch edge of hole to secure.

FOLD RAM

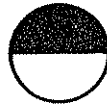


McCormel

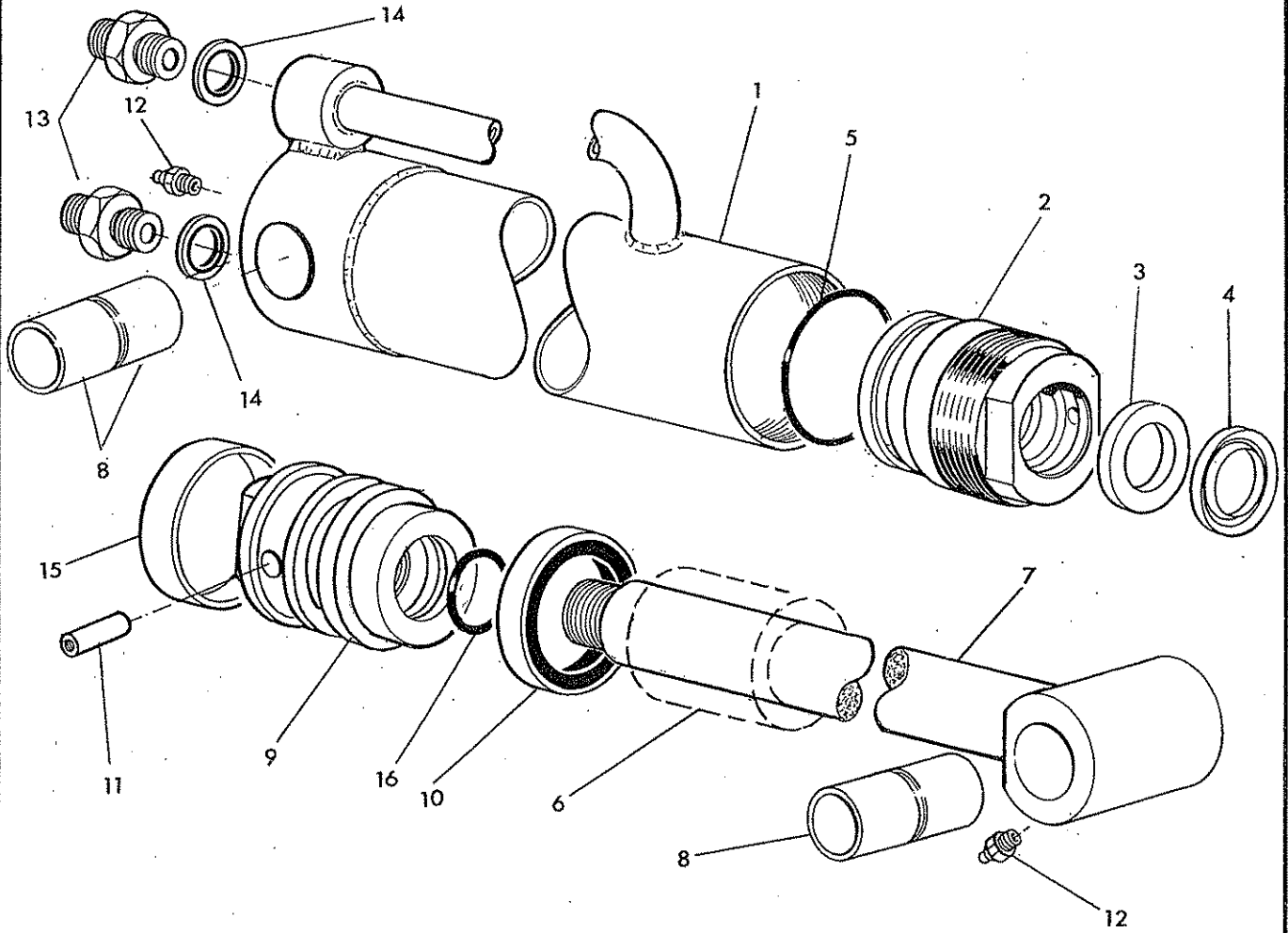


Ref	Part No.	Qty	Description
	42664.05		FOLD RAM ASSEMBLY
1	42664.42	1	Ram barrel
2	42664.32	1	Gland housing
3	86 29 222	1	Gland seal
4	86 29 147	1	Piston rod wiper seal
5	86 00 306	1	'O' ring
6	42062.01	1	Spacer
7	42664.39	1	Piston rod
8	42654.01	4	Bush
9	42664.31	1	Piston
10	86 29 156	1	Piston seal
11	42775.01	1	Dowel
12	09 01 121	2	Greaser
13	85 81 115	2	Adaptor
14	86 50 103	2	Bonded seal
15	86 29 157	1	Guide ring
16	86 00 127	1	'O' ring
	42664.01		SEAL KIT

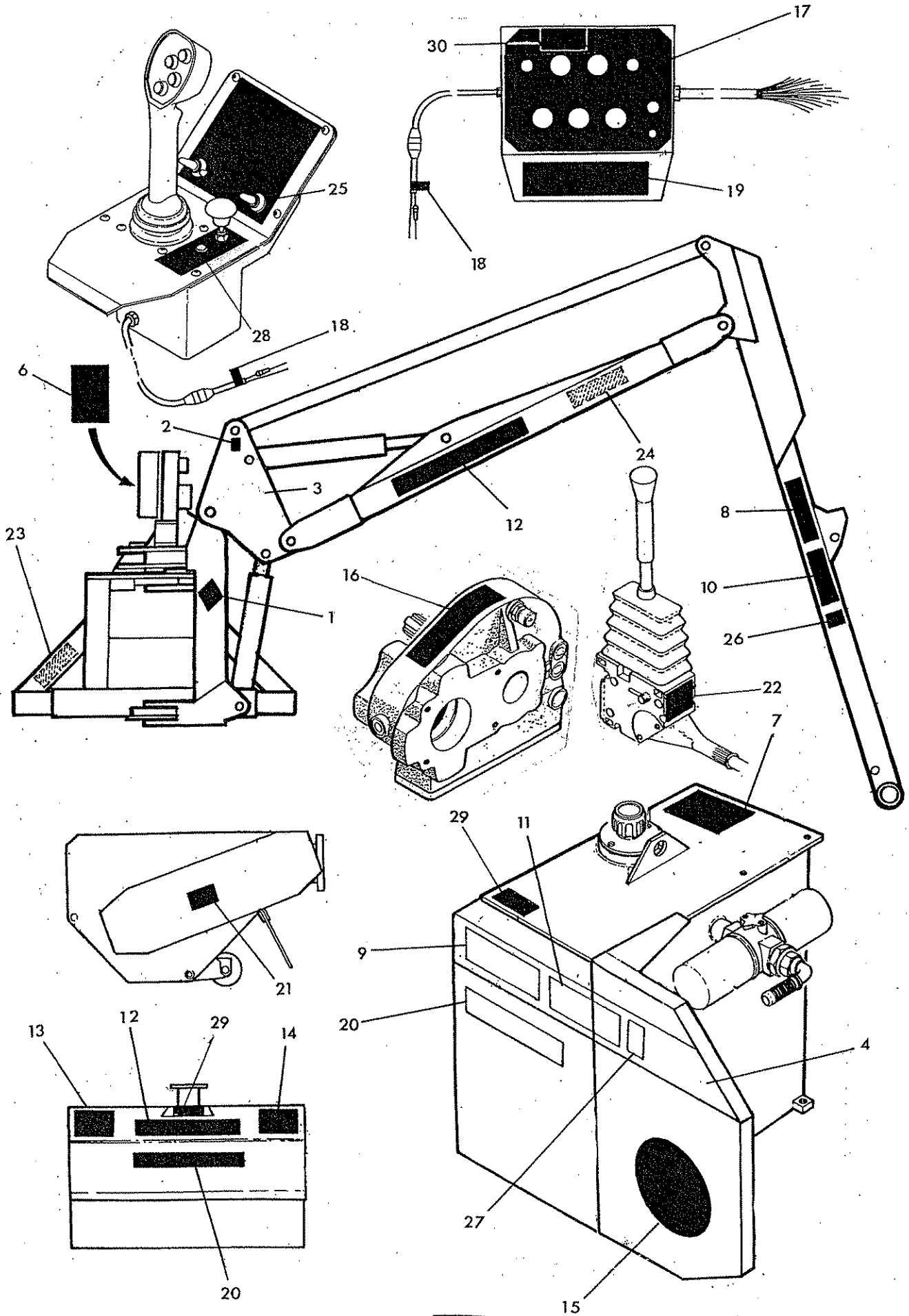
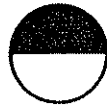
FOLD RAM



McCOMBELL



Ref	Part No.	Qty	Description
	42664.05		FOLD RAM ASSEMBLY
1	42664.42	1	Ram barrel
2	42664.32	1	Gland housing
3	86 29 222	1	Gland seal
4	86 29 147	1	Piston rod wiper seal
5	86 00 306	1	'O' ring
6	42062.01	1	Spacer
7	42664.39	1	Piston rod
8	42654.01	4	Bush
9	42664.31	1	Piston
10	86 29 156	1	Piston seal
11	42775.01	1	Dowel
12	09 01 121	2	Greaser
13	85 81 115	2	Adaptor
14	86 50 103	2	Bonded seal
15	86 29 157	1	Guide ring
16	86 00 127	1	'O' ring
	42664.01		SEAL KIT





McCONNEL

Ref.	Part No.	Qty.	Description
STICKERS - ELECTRIC MACHINES			
1	71 05 130	1	Read book first
2	09 843 05	1	Sling here symbol on packing strap
3	12 90 296	1	Logo roundel
4	12 90 432	1	Tank stripe
5	12 90 352	1	Gen warning - despatched loose - not illus. in cab
6	12 90 465	1	Wiring connections
7	12 90 476	1	Greasing
8	12 90 411	2	Mag - black
9	12 90 412	1	Mag - yellow
10	12 90 448	2	500 - black
11	12 90 449	1	500 - yellow
12	12 90 255	3	McConnel
13	12 90 377	1	Flailhead instructions
14	12 90 341	1	Flailhead guarding
15	12 90 365	1	McConnel roundel
16	12 90 089	1	Gearbox oil capacity
17	12 90 458	1	Controls - switchbox only
18	12 90 038	1	Polarity label
19	84 02 138	1	Slew warning
20	12 90 435	2	
21	12 90 065	1	Belt tension
22	12 90 338	1	Rotor controls
23	12 90 331	1	Check chains
24	12 90 450	1	Breakaway warning
25	12 90 451	1	Controls - joystick only
26	12 90 071	2	E - Black
27	12 90 072	1	E - Yellow
28	12 90 080	1	Power - joystick controls only
29	12 90 500	2	52 hp
30	12 90 081	1	Midcut control overlay sticker



PAYEN IMPORT

*Zae du Cèdre Briard,
77320 BETON BAZOCHES,
FRANCAIS
Tél: 01 60 58 53 36
Fax: 01 64 01 05 31*



McCONNEL LIMITED

*Temeside Works, Ludlow,
Shropshire SY8 1JL. England.
Tel: 01584 873131
Fax: 01584 876463
www.mcconnel.com*