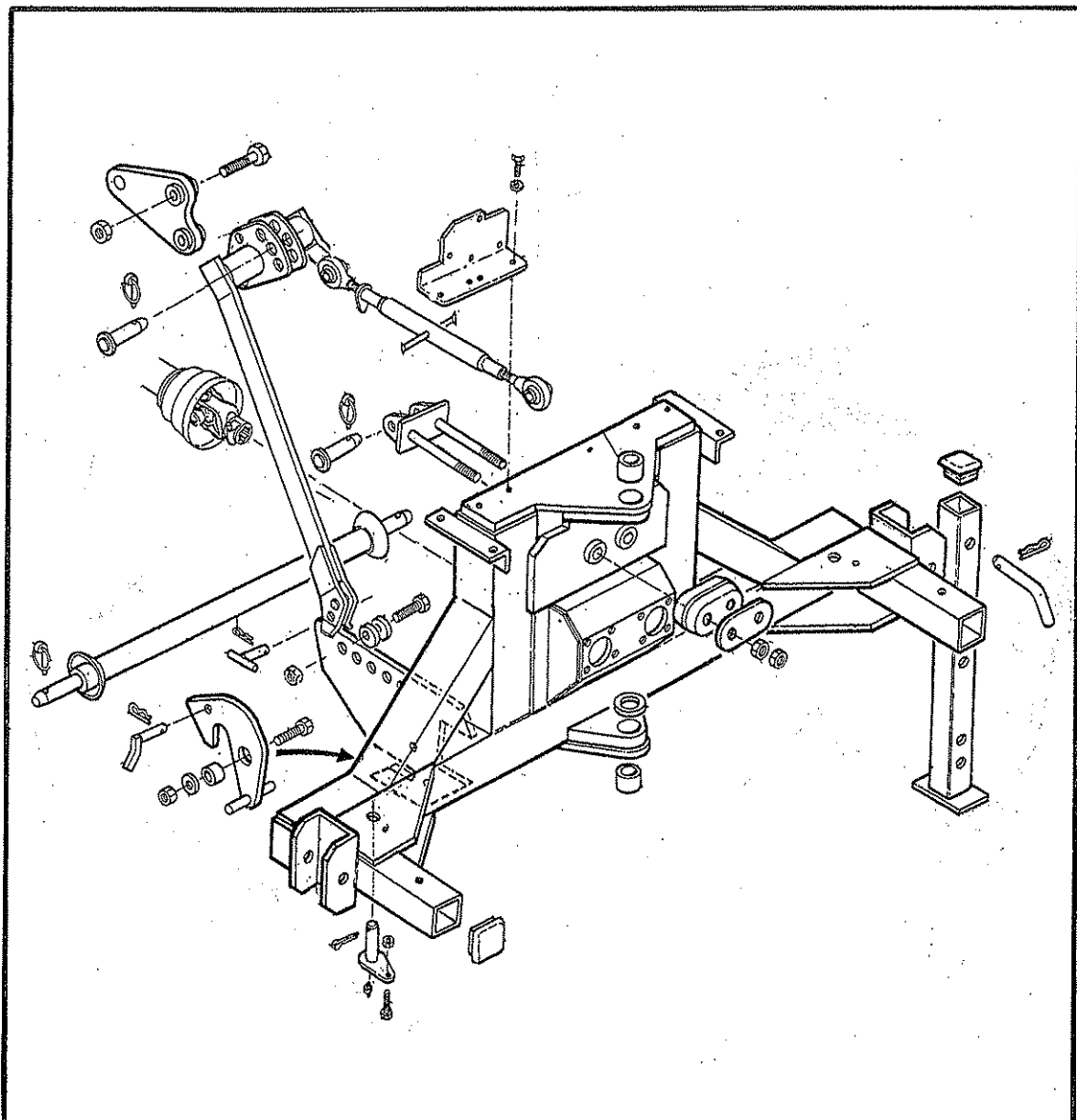


# SERIE MAG 500 S

## Pièces détachées

Pour les machines à commandes par téléflexibles



**McCORMICK**

## **MANUEL DE PIECES DETACHEES**

### **POUR AVOIR LES MEILLEURES PERFORMANCES...**

**UTILISER EXCLUSIVEMENT LES PIECES DETACHEES  
McCONNEL**

Pour être certains d'avoir les dernières améliorations apportées, acheter vos pièces de remplacement chez le fabricant d'origine de votre équipement McConnel Ltd, chez votre concessionnaire ou stockiste local.

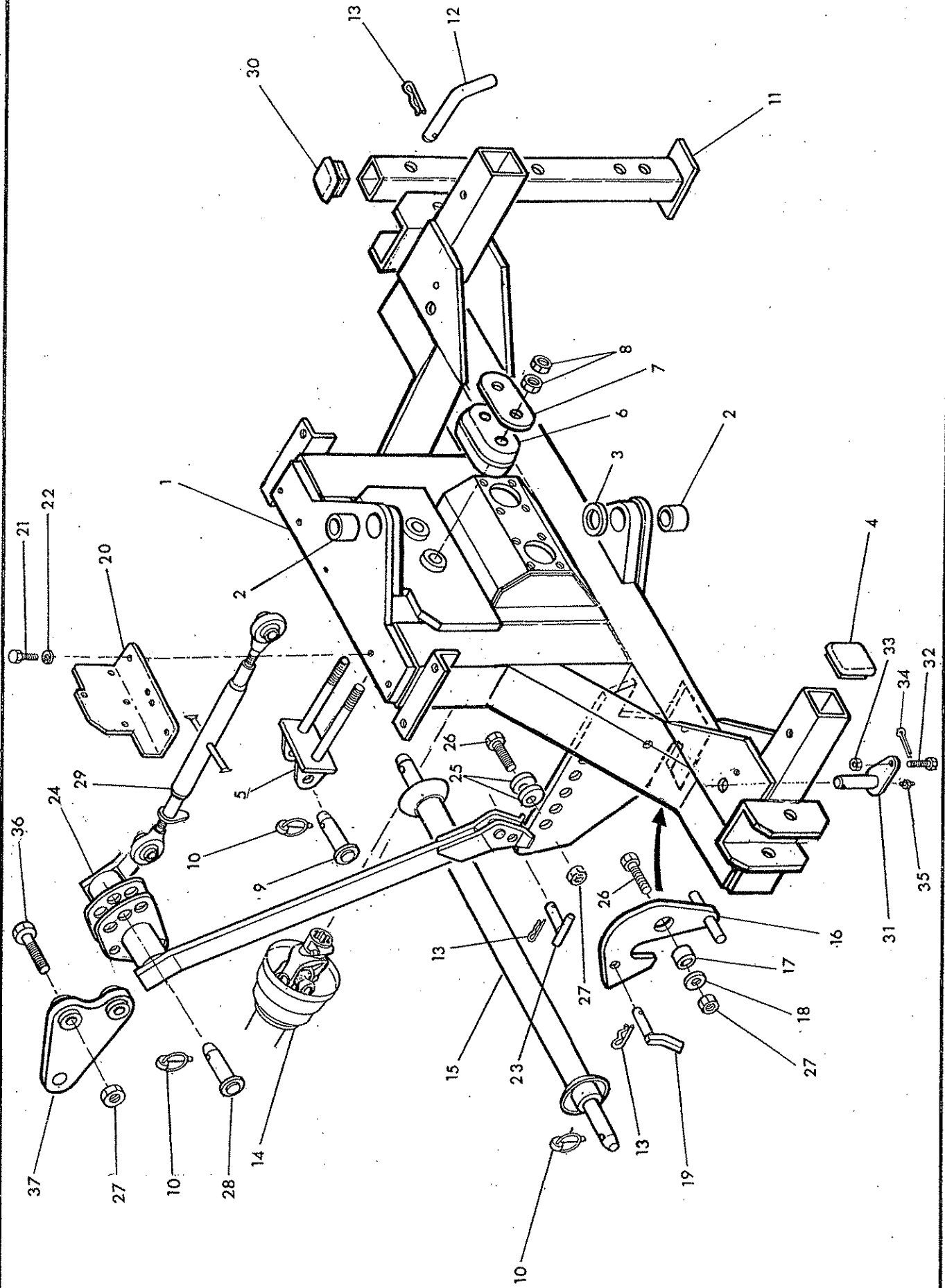
Donner toujours votre type et numéro de série de machine en même temps que le numéro de la pièce.

Des améliorations de conception peuvent avoir modifié certaines pièces listées dans ce manuel - La pièce la plus récente vous sera toujours fournie si elle est interchangeable avec la plus ancienne.

MAIN FRAME



**TRIMAR**



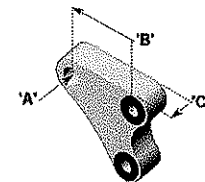


## MAIN FRAME & FITTINGS

REF.	QTY.	PART No.	DESCRIPTION
1	1	41522.02	Main Frame
2	2	7016010	Bush
3	1	6001136	Thrust Washer
4	2	41580.01	Plastic Plug
5	1	7560398	Top Hitch Bracket
6	1	7560141	Rubber Damper
7	1	7560130	Reaction Plate
8	4	9113009	Plain Nut
9	1	7560144	Top Link Pin
10	4	0431217	Linch Pin
11	1	41773.01	Stand Leg
12	1	7192023	Leg Pin
13	5	0431105	Spring Cotter
14	1	7136330	P.T.O. Shaft
15	1	42333.02	Hitch Bar
16	1	42591.02	Catch Hook
17	2	42801.01	Spacer Sleeve
18	2	9100108	Plain Washer
19	2	43011.01	Lock Pin
20	1	7450258	Mounting Bracket - Rotor Valve
21	2	9313055	Setscrew
22	2	9100205	Spring Washer
23	2	7192027	Stabiliser Pin
24	1	41915.05	Stabiliser
25	4	7192080	Eccentric Collar
26	4	9213148	Bolt
27	6	9143008	Self-Locking Nut
28	1	7118112	Top Link Pin
29	1	07.584.01	Top Link
30	1	7191108	Plastic Bung
31	1	42911.01	Pin - Slew Base
32	1	42269.01	Bolt
33	1	9143005	Self-Locking Nut
34	1	9501255	Split Pin
35	1	0901121	Greaser
36	2	9213208	Bolt
37	1	7499501	Tongue

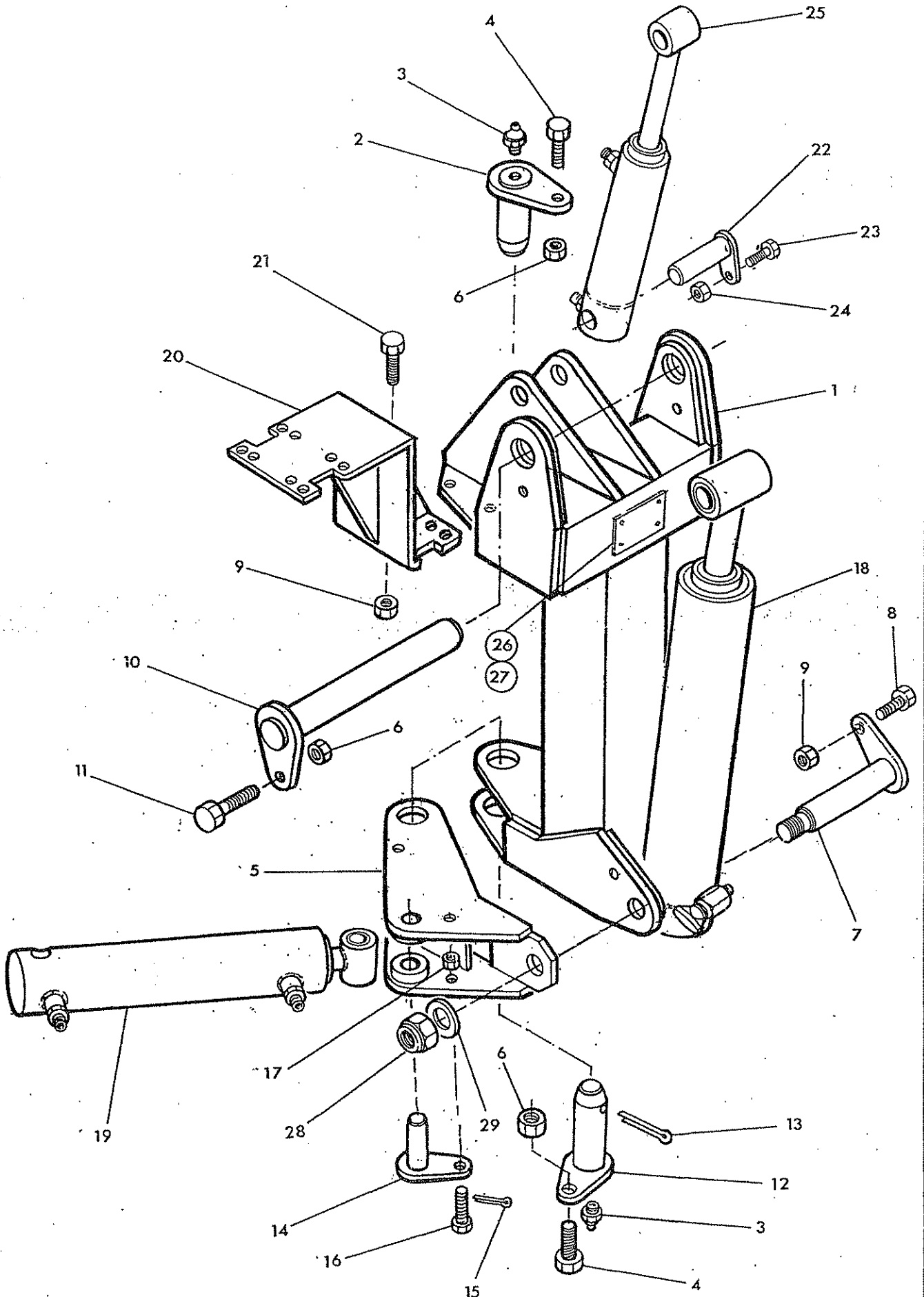
### McCONNEL STABILISER TONGUES

'A' – Hole diameter  
'B' – Hole center spacing  
'C' – Stabiliser width



(Dimensions in mm)

Part No.	Description	'A'	'B'	'C'
7499501	Tongue: Standard – Cat. 2	27	107	45
7499500	Tongue: Special – Cat. 2 narrow	27	107	35
7499502	Tongue: Special – Cat. 2 long	27	217	45
7499503	Tongue: Special – Cat. 3 long	32	217	45
7499504	Tongue: Special – Cat. 1	19.5	107	35
7499505	Tongue: Special – Cat. 2 for Case TX tractors	25	120	50
7499506	Tongue: Special – Cat. 3	32	107	45
7499507	Tongue: Special – Cat. 3 narrow	32	107	30
7499508	Tongue: Special – for some Ford tractors	28.6	107	45
7499262	Tongue: Special – Cat. 2 extra long for Aebi	27	260	45
7499510	Tongue: Special – Cat. 2	27	107	40



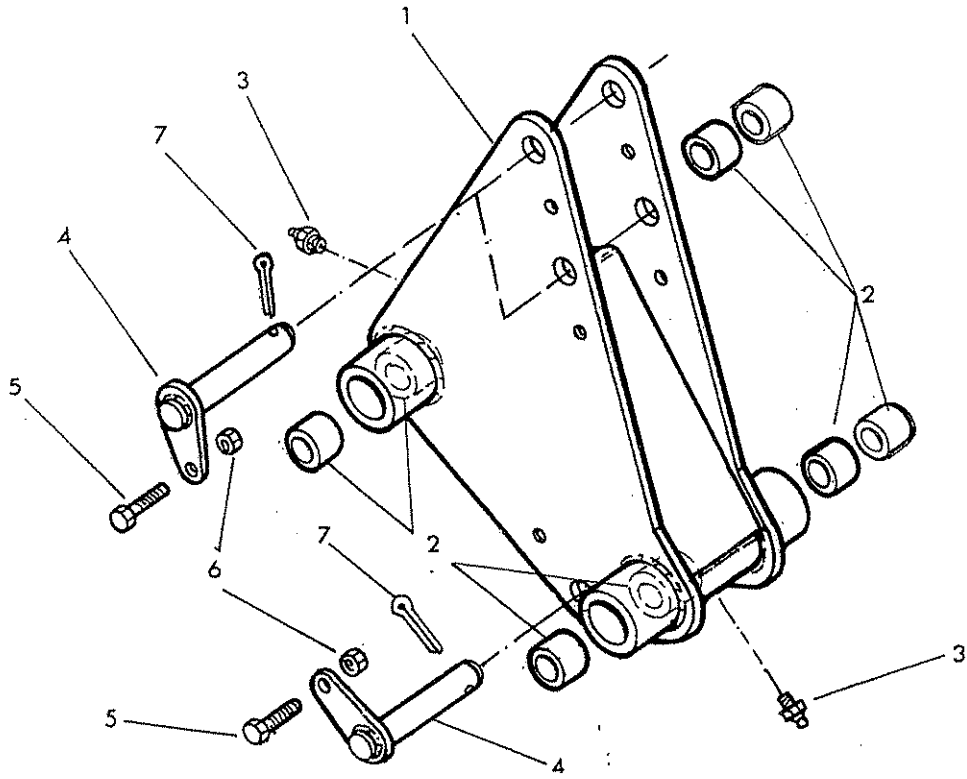


Ref	Part No	Qty	Description	
<b>PILLAR AND FITTINGS</b>				
1	41525.02	1	Pillar	
2	41555.01	1	Pivot pin - pillar top	
3	09 01 121	2	Greaser	
4	93 13 087	2	Bolt	
5	42023.03	1	Slew bracket	
6	91 43 007	3	Self locking nut	
7	42805.01	1	Pivot pin - lift ram base	
8	92 13 096	1	Bolt	
9	91 43 006	3	Self locking nut	
10	41556.01	1	Pivot pin - rocker	
11	92 13 117	1	Bolt	
12	41555.02	1	Pivot pin - pillar bottom	
13	95 01 507	1	Split pin	
14	42911.02	1	Pivot pin - slew rod	
15	95 01 255	1	Split pin	
16	42269.02	1	Setscrew	
17	91 43 005	1	Self locking nut	
18	42095.02	1	Lift ram assembly	
19	41565.03	1	Slew ram assembly	
20	41508.03	1	Valve mounting bracket	} E models only
21	92 13 086	2	Bolt	
22	75 60 064	1	Pin compensator ram base	} AHC only
23	92 13 065	1	Bolt	
24	91 43 005	1	Self locking nut	
25	76 50 260	1	Compensator ram	
26	13 35 246	1	Serial number plate	
27	71 03 230	4	Pop rivet	
28	91 43 009	1	Self locking nut	
29	91 00 109	1	Plain washer	

ROCKER



**McCORMICK**





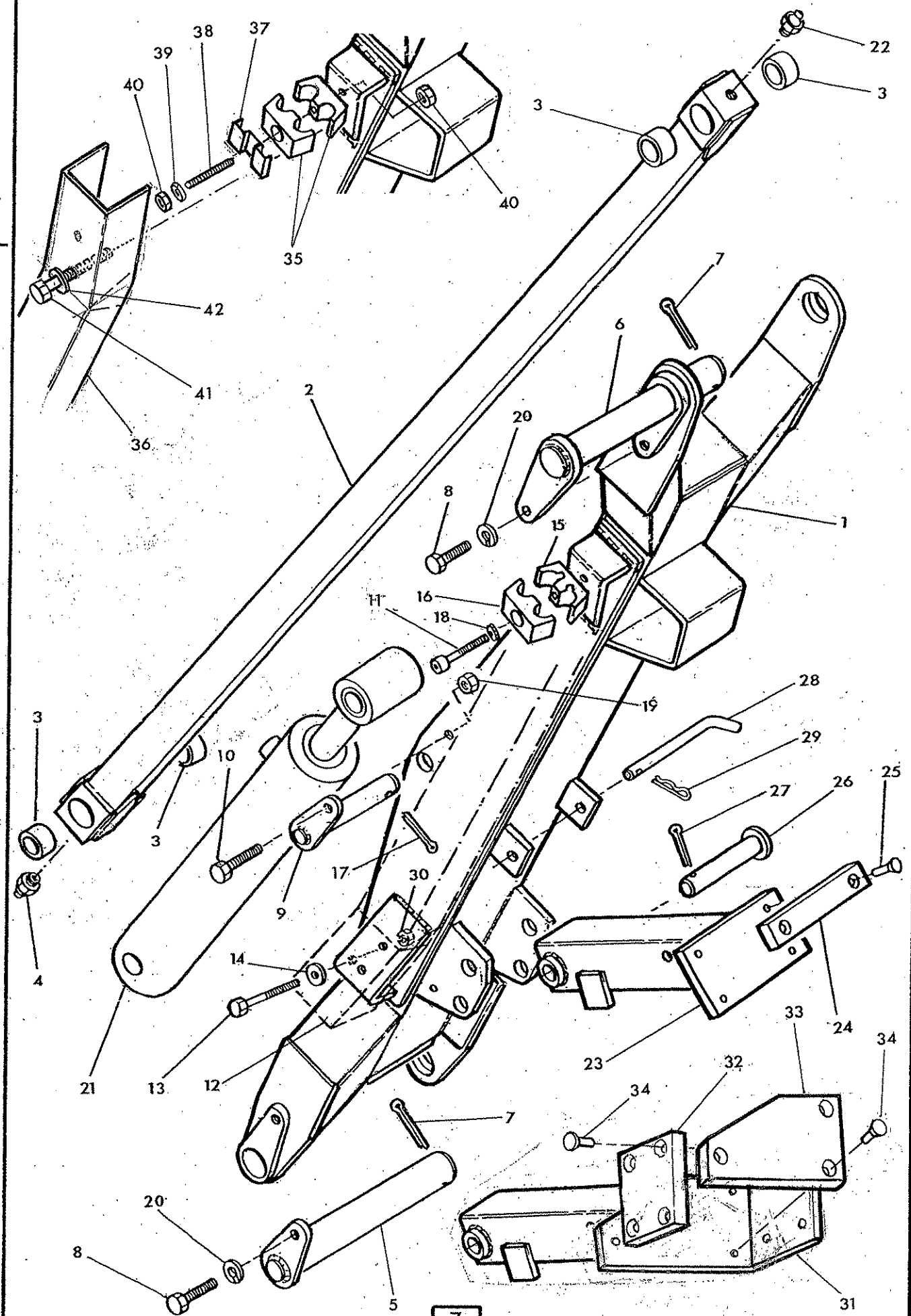
Ref. Part No.	Qty.	Description
		ROCKER
1 71 93 330	1	Rocker
2 72 13 023	8	Bush
3 09 01 121	2	Greaser
4 41694.01	3	Pin
5 93 13 065	3	Setscrew
6 91 43 006	3	Self locking nut
7 05 03 166	3	Split pin



MAIN ARM



McCONNEL



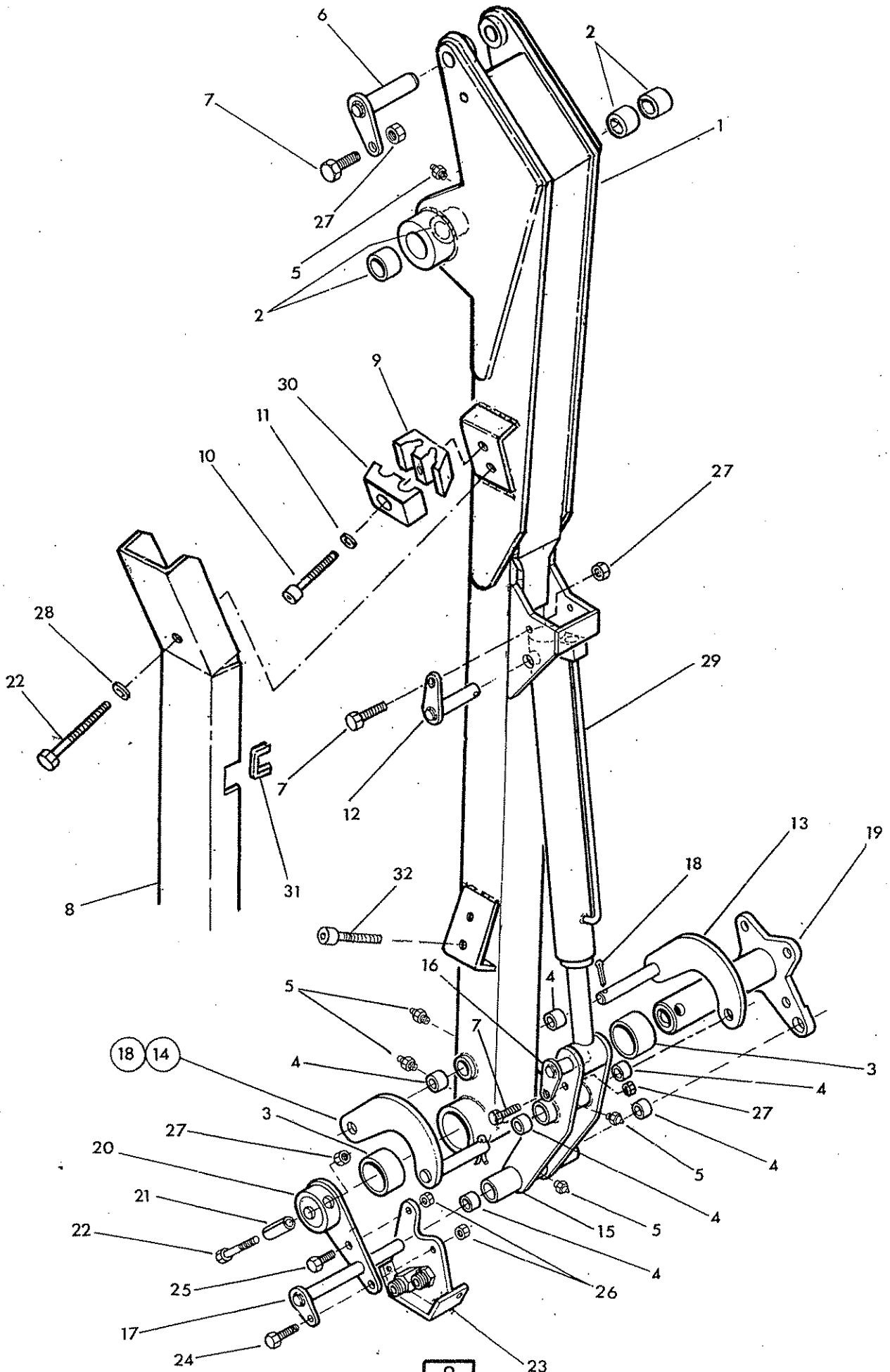


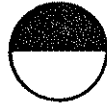
Ref	Part No.	Qty	Description	
<b>MAIN ARM</b>				
1	41597.06	1	Main arm	
2	41662.02	1	Tension link	
3	60 12 032	4	Bush	
4	09 01 121	1	Greaser	
5	41686.01	1	Pivot pin - main arm	
6	41687.01	1	Pivot pin - dipper arm	
7	95 01 509	2	Split pin	
8	93 13 087	2	Setscrew	
9	41688.01	1	Pivot pin - reach ram rod	
10	93 13 076	1	Setscrew	
11	92 43 154	2	Capscrew	] Std Arm
12	41665.02	1	Hose guard	
13	92 13 165	2	Bolt	
14	91 00 105	2	Plain washer	
15	06.430.19	2	Hose clamp lower	
16	42024.06	1	Hose clamp upper - 1 pair	
17	91 00 404	2	Shakeproof washer	
18	05 03 166	1	Split pin	
19	91 43 006	1	Self locking nut	
20	91 00 207	2	Spring washer	
21	71 93 334	1	Reach ram	
22	09 01 124	1	Greaser	
23	43021.01	1	Transport prop	] Std
24	10 75 041	2	Pad	
25	10 75 047	4	Countersunk rivet	] Arm
26	43023.01	1	Pin - prop pivot	
27	95 01 406	1	Split pin	
28	43020.01	1	Pin - prop - stowage	
29	04 31 105	1	Spring cotter	
30	91 43 005	3	Self locking nut	
31	43021.04	1	Transport prop	] Midcut
32	43091.02	1	Pad	
33	43091.01	1	Pad	
34	10 75 047	7	Countersunk rivet	
35	42024.06	2	Hose clamp	
36	41665.14	1	Hose guard	
37	43095.01	2	Hose clip	
38	42198.04	2	Stud	
39	91 00 104	2	Spring washer	
40	91 13 004	4	Plain nut	
41	92 13 205	2	Bolt	
42	91 00 105	2	Plain washer	

DIPPER ARM

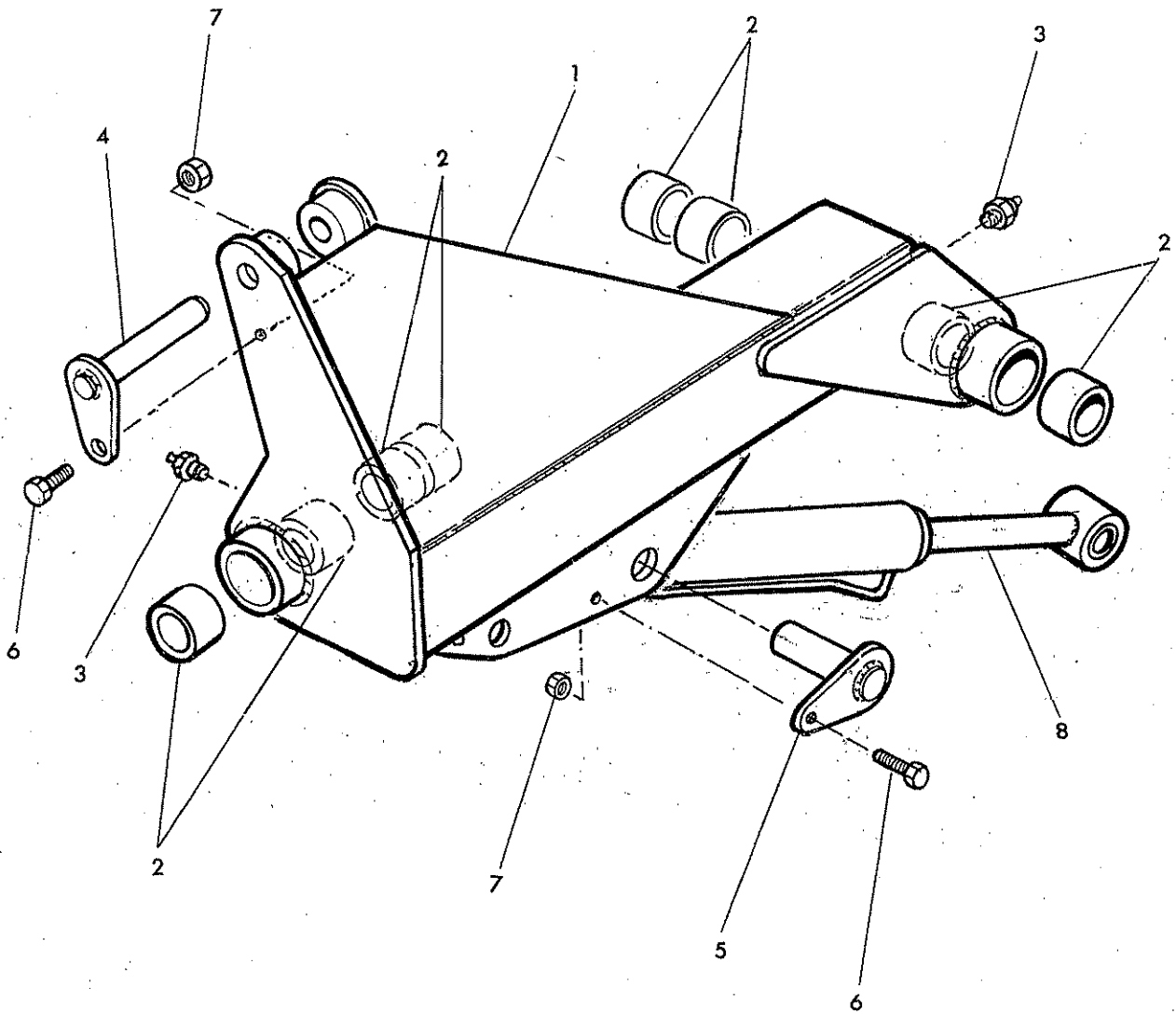


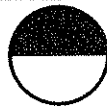
McCOMEL





Ref.	Part No.	Qty.	Description
			<b>DIPPER ARM AND FITTINGS</b>
	41649.02	1	Dipper arm
2	72 13 023	4	Bush - Dipper pivot
3	71 36 035	2	Nylon head bush
4	41690.01	6	Bush
5	09 01 121	5	Greaser
6	41692.01	1	Pin - Tension link
7	93 13 075	3	Setscrew
8	41665.04	1	Hose guard
9	06.430.19	1	Hose clamp lower
10	92 43 154	1	Capscrew
11	91 00 404	2	Shakeproof washer
12	41691.01	1	Pin - Angle ram base
13	74 50 251	1	Radius arm front
14	74 50 250	1	Radius arm rear
15	74 50 252	1	Slave link
16	41693.01	1	Pin - Angle ram rod
17	71 92 009	1	Pin - slave link
18	95 01 406	4	Split pin
19	71 92 308	1	Head pivot tube
20	71 92 316	1	Jaw plate
21	04 23 548	1	Spring dowel
22	92 13 185	3	Bolt
23	71 95 303	1	Hose junction bracket
24	02 11 146	1	Bolt
25	02 11 126	1	Bolt
26	01 41 006	2	Self locking nut
27	91 43 005	4	Self locking nut
28	91 00 105	2	Plain washer
29	75 60 344	1	Angling ram
30	71 93 063	1	Hose clamp upper
31	41741-01	1	Rubber edge strip
32	92 43 124	1	Capscrew





**McCOMEL**

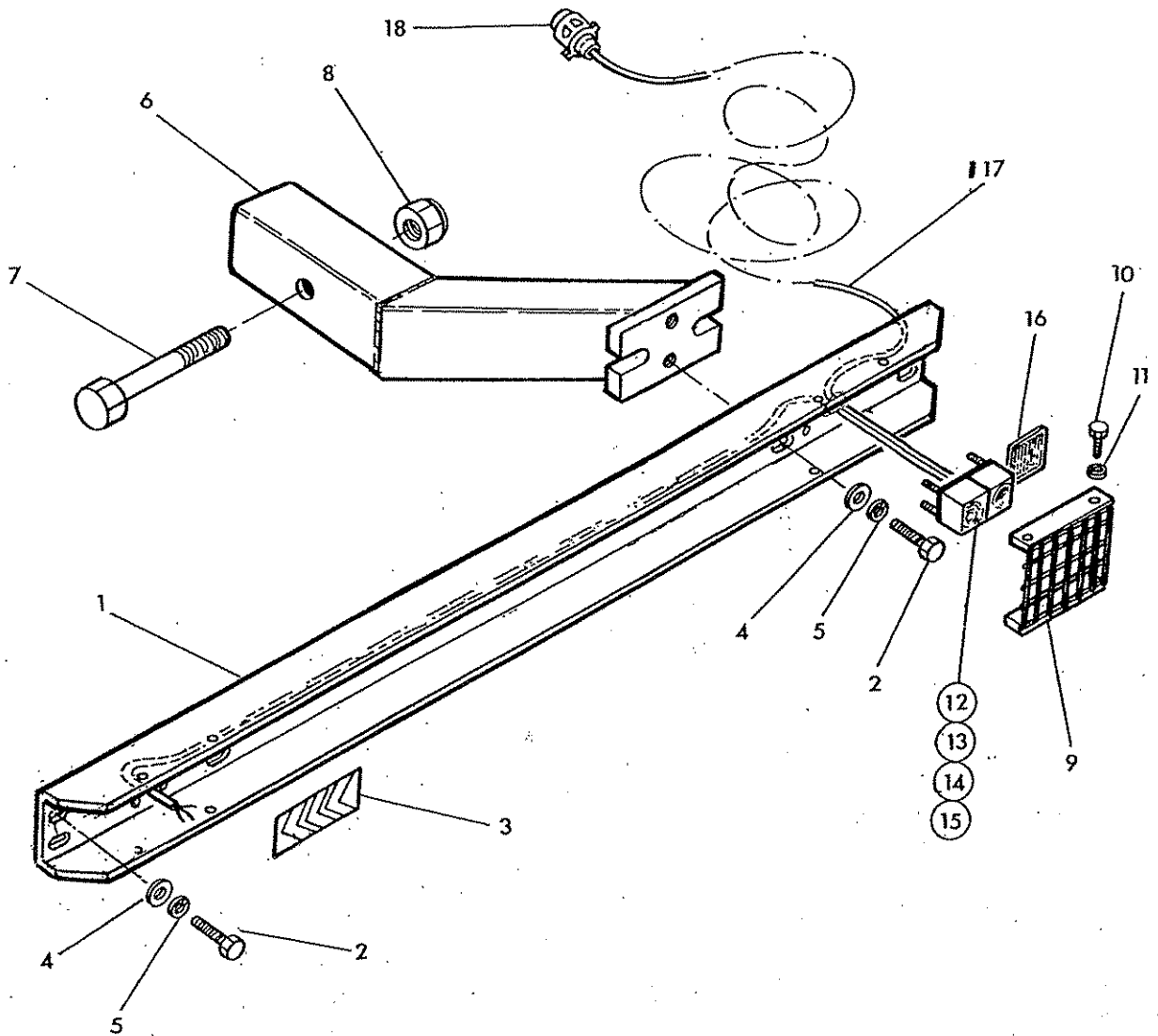
Ref	Part No.	Qty	Description
			<b>MIDCUT FORWARD EXTENSION</b>
1	42644.04	1	Forward extension
2	72 13 023	8	Bush
3	09 01 121	2	Greaser
4	41692.01	1	Pin - tension link
5	42684.02	1	Pin - fold ram base
6	93 13 065	2	Setscrew
7	91 43 005	2	Self locking nut
8	42664.05	1	Fold ram



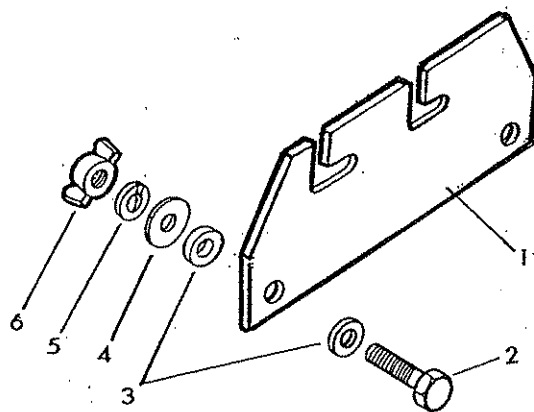


Ref	Part No.	Qty	Description
<b>MIDCUT DIPPER ARM AND FITTINGS</b>			
1	42643.02	1	Dipper arm
2	71 36 035	2	Nylon head bush
3	41690.01	6	Bush
4	09 01 121	4	Greaser
5	41687.03	1	Pin - dipper pivot
6	93 13 087	1	Setscrew
7	93 13 075	2	Setscrew
8	41665.12	1	Hose guard
9	42684.03	1	Pin - fold ram rod
10	92 43 124	2	Capscrew
11	91 00 404	2	Shakeproof washer
12	41691.01	1	Pin - angle ram base
13	74 50 251	1	Radius arm front
14	74 50 250	1	Radius arm rear
15	74 50 252	1	Slave link
16	41693.01	1	Pin - angle ram rod
17	71 92 009	1	Pin - slave link
18	95 01 406	2	Split pin
19	71 92 308	1	Head pivot tube
20	71 92 316	1	Jaw plate
21	04 23 548	1	Spring dowel
22	92 13 155	2	Bolt
23	71 95 303	1	Hose junction bracket
24	02 11 146	1	Bolt
25	02 11 126	1	Bolt
26	01 41 006	2	Self locking nut
27	91 43 005	6	Self locking nut
28	91 00 105	2	Plain washer
29	75 60 344	1	Angling ram
30	93 13 065	2	Setscrew
31	95 01 509	1	Split pin
32	91 43 007	1	Self locking nut
33	92 13 185	3	Bolt
34	42024.06	2	Hose clamp - 1 pair





Ref	Part No	Qty	Description
	<b>74 50 729</b>		<b>LIGHT BAR KIT</b>
1	41549.01	1	Light bar
2	93 13 065	4	Setscrew
3	12 90 347	2	Sticker -- chevron
4	91 00 105	4	Plain washer
5	91 00 205	4	Spring washer
6	41527.02	1	Light bar mount
7	05.292.23	1	Bolt
8	91 43 006	1	Self locking nut
9	75 60 353	2	Light guard
10	93 13 023	8	Setscrew
11	91 00 203	8	Spring washer
12	75 60 086	2	Light incl:
13	75 60 087	2	Stop/tail bulb 12v
14	75 60 088	2	Flasher bulb 12v
15	93 00 142	8	Self tap screw
16	75 60 093	2	Reflector - self adhesive
17	75 60 090	1	Cable
18	75 60 089	1	Plug - 7 pin

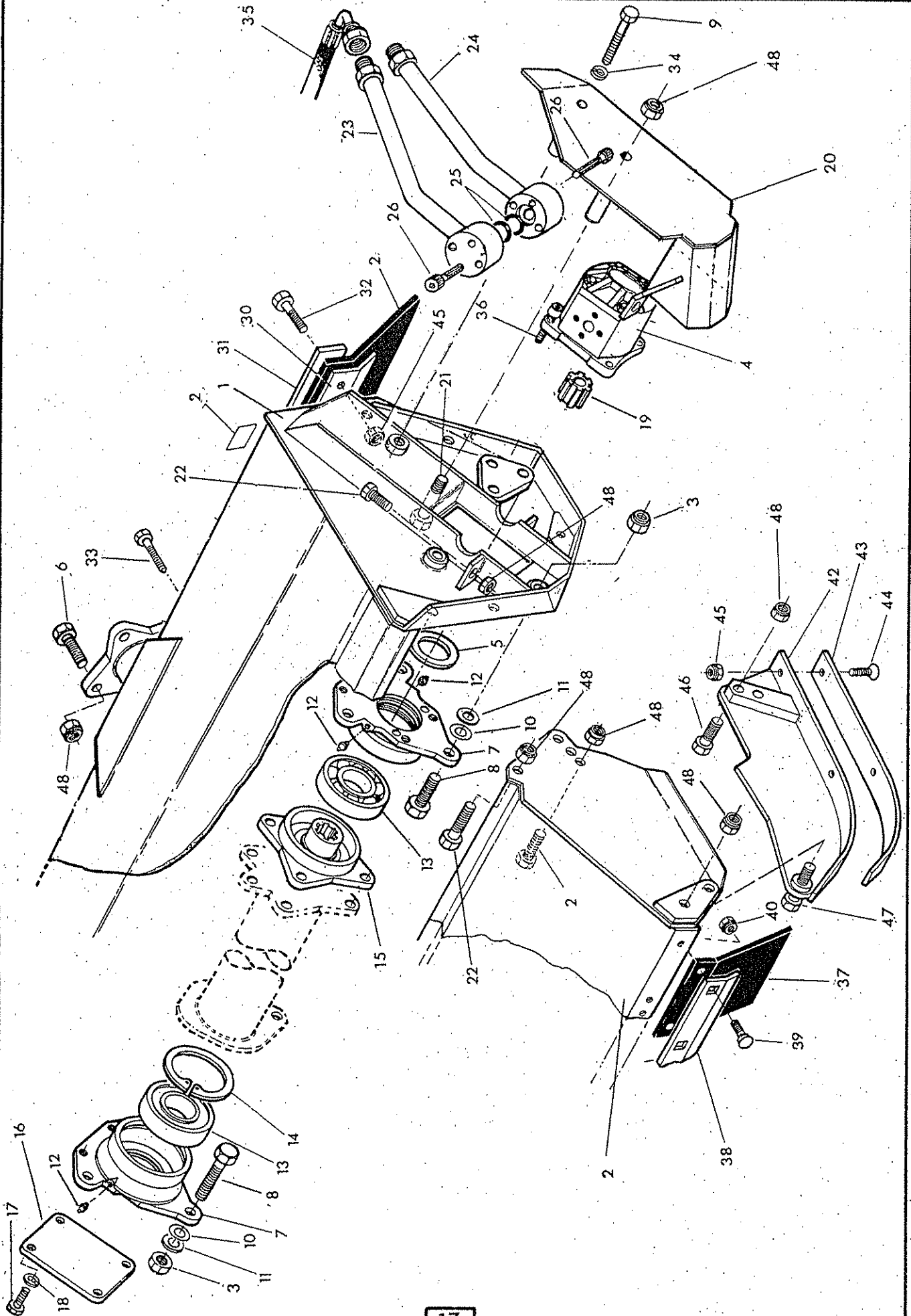


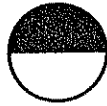
Ref	Part No	Qty	Description
<b>CONTROL UNIT MOUNTING ASSY</b>			
1	03.583.01	1	Bracket
2	93 13 094	2	Setscrew
3	03.152.01	4	Rubber washer
4	91 00 104	2	Plain washer
5	91 00 204	2	Spring washer
6	91 93 004	2	Wingnut

FLAIL CASING - Direct drive



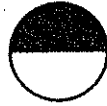
McCONNELL



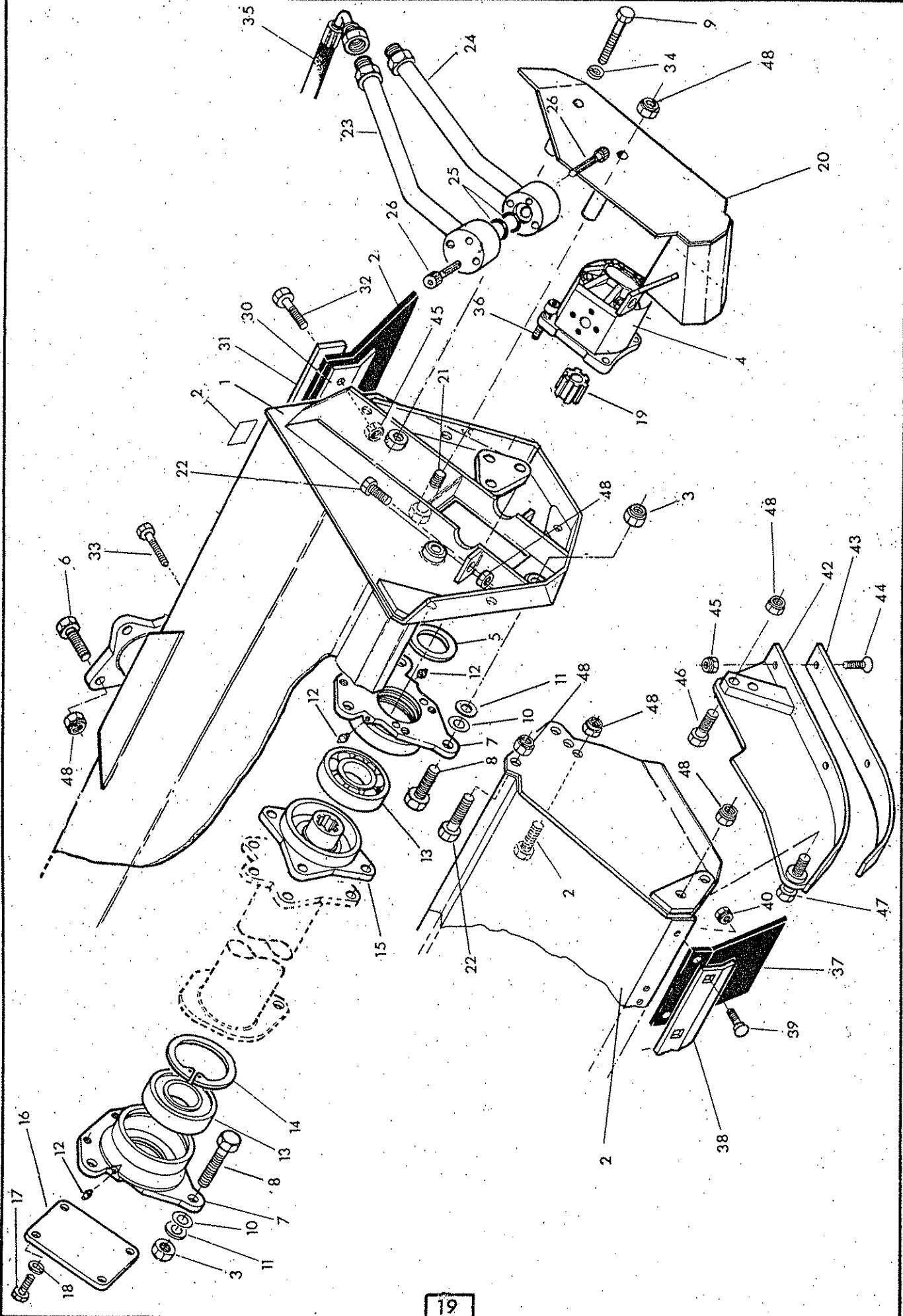


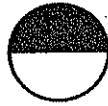
Ref	Part No.	Qty	Description
<b>FLAIL HEAD CASING - DIRECT DRIVE</b>			
1	71 90 262	1	Flail casing
2	13 35 246	1	Serial No. Plate
3	91 00 024	6	Special nut
4	83 01 282	1	Hydraulic motor
5	71 90 015	1	Motor locating washer
6	02 11 186	4	Bolt
7	71 90 261	2	Bearing housing
8	92 00 023	6	Special bolt
9	02 11 326	1	Bolt
10	81 21 043	as req	Shim
11	81 21 044	as req	Shim
12	09 01 121	4	Greaser - straight
13	06 00 018	2	Bearing
14	71 90 022	1	Internal circlip
15	71 90 571	2	Rotor hub
16	71 90 444	1	Cover plate
17	93 13 045	4	Setscrew
18	91 00 205	4	Spring washer
19	71 90 573	1	Drive coupling
20	42282.01	1	Motor cover
21	02 11 566	1	Bolt
22	03 11 126	2	Setscrew
23	71 90 378	1	Motor pipe - upper
24	71 90 379	1	Motor pipe - lower
25	86 00 121	2	'O' ring
26	93 00 014	6	Capscrew 'wedglok'
27	71 90 288	1	Front hood
28	03 11 106	2	Setscrew
29	71 90 314	1	Rear flap
30	71 90 312	1	Mounting strip
31	71 90 313	1	Clamp strip
32	93 13 065	7	Setscrew
33	93 13 075	2	Setscrew
34	01 00 206	1	Spring washer
35	85 01 154	2	Hose 1" BSP x 42" long
36	93 00 144	4	Capscrew 'wedglok'
	86 99 236		SEAL KIT for hydraulic motor
	86 29 209		Shaft seal

FLAIL CASING - Direct drive



**WALCO**





Ref Part No. Qty Description

FLAIL HEAD CASING - DIRECT DRIVE

72 90 375

FRONT FLAP KIT

37	72 90 053	8	Flap
38	71 90 304	1	Flap clamp strip
39	92 93 054	16	Cup square bolt
40	91 43 004	16	Self locking nut

71 90 421

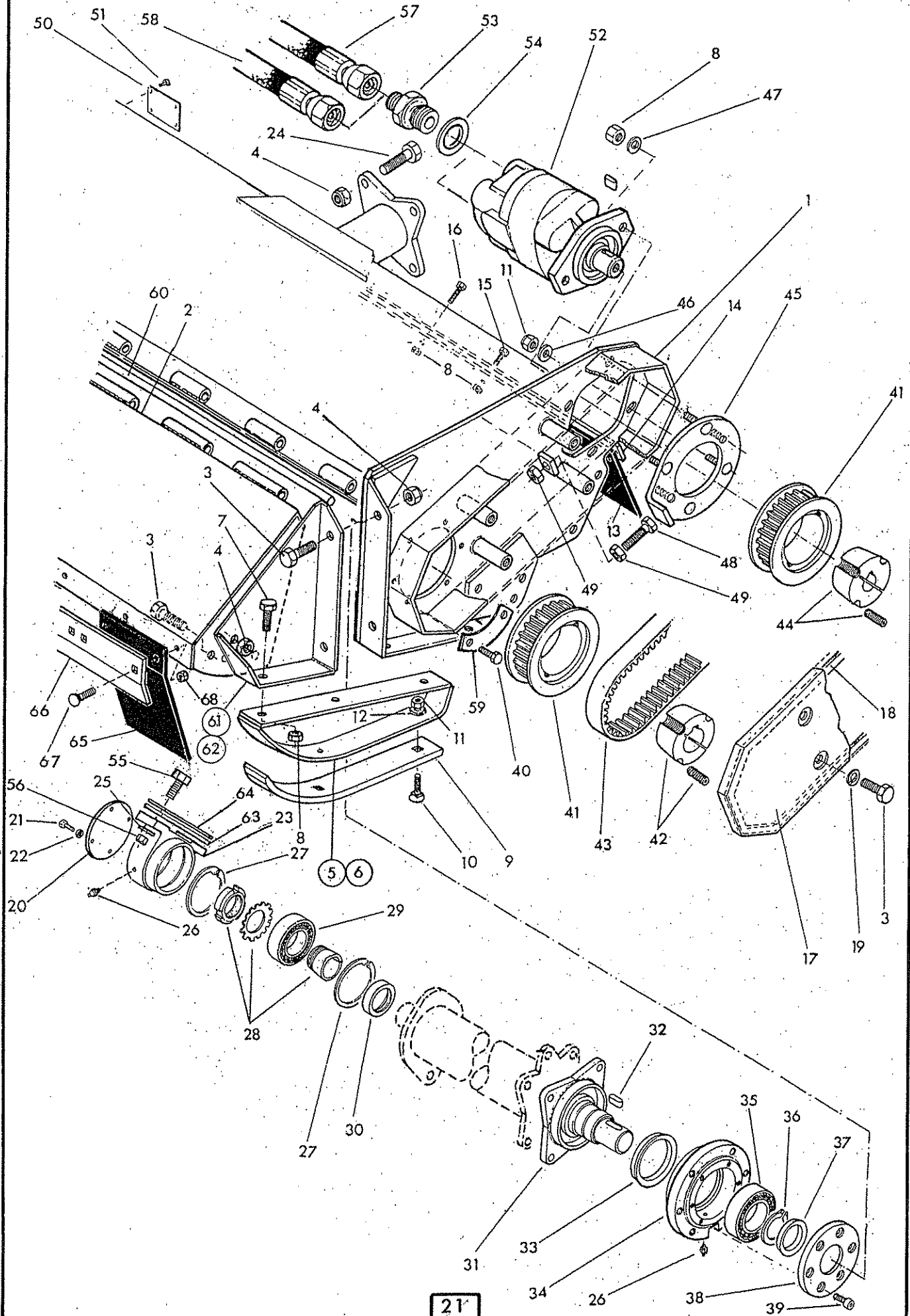
SKID KIT

41	71 90 300	1	Skid R. hand - not illus.
42	71 90 301	1	Skid L. hand
43	73 14 323	1	Wear skid
44	93 13 065	6	Setscrew c/sunk
45	91 43 005	15	Self locking nut
46	03 11 146	2	Setscrew
47	03 11 086	2	Setscrew
48	01 41 006	15	Self locking nut

FLAIL CASING - Belt drive



McDONNELL





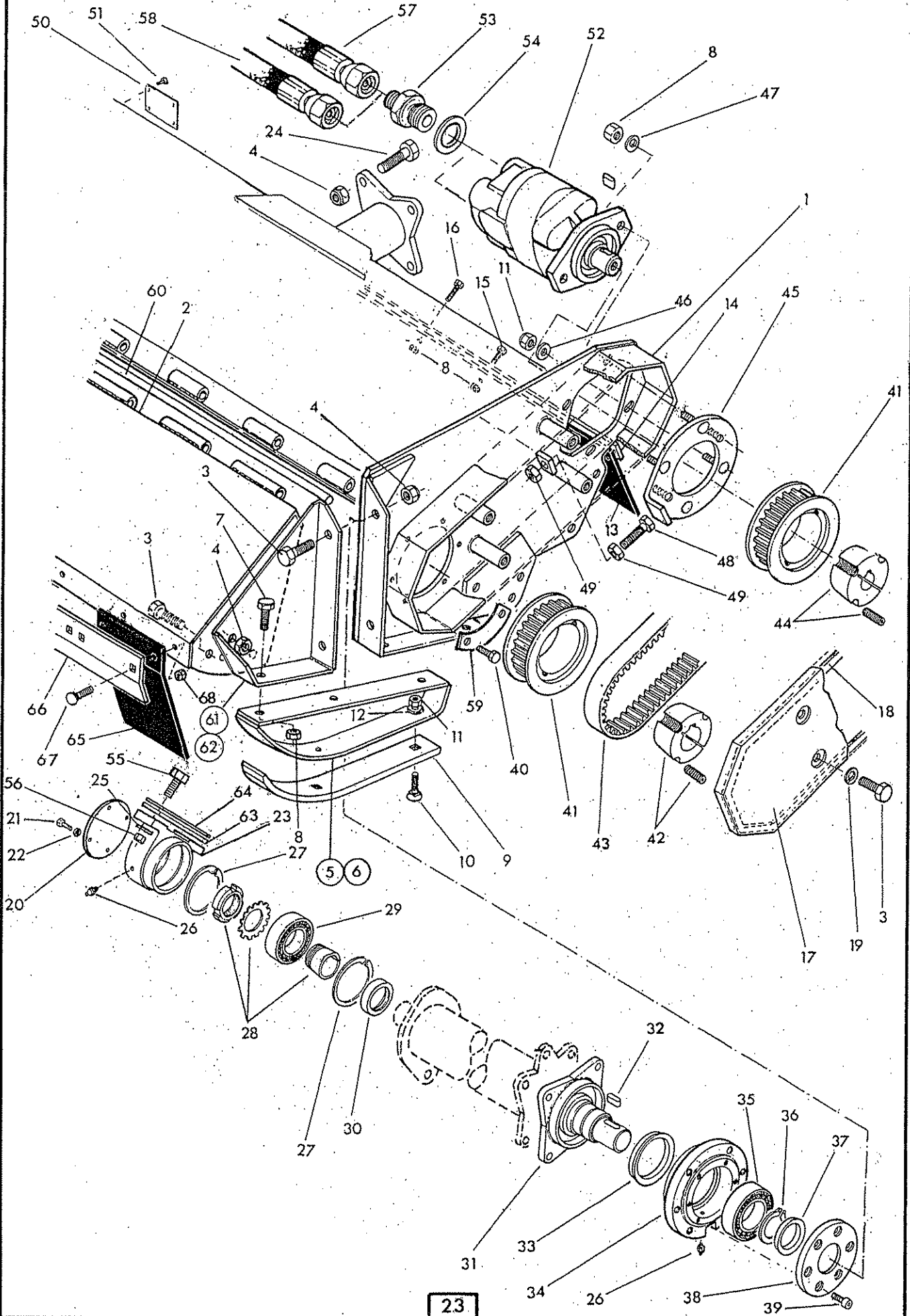
Ref	Part No.	Qty	Description
<b>1.2M BELT DRIVE FLAIL HEAD CASING</b>			
1	72 90 333	1	Hood
2	72 90 386	1	Front hood
3	03 11 106	10	Setscrew
4	01 41 006	10	Self locking nut
5	72 90 389	1	Skid - R. hand
6	72 90 390	1	Skid - L. hand
7	93 13 055	6	Setscrew
8	91 43 005	23	Self locking nut
9	72 90 391	2	Wear skid
10	60 12 034	6	Tine bolt
11	01 42 004	10	Self locking nut
12	01 00 104	6	Plain washer
13	72 90 348	1	Rear flap
14	72 90 347	1	Clamp strip
15	93 13 065	6	Setscrew
16	93 13 075	3	Setscrew
17	72 90 343	1	Belt cover
18	72 90 052	1	Seal strip
19	01 00 206	4	Spring washer
20	72 90 042	1	Bearing cogger - free end
21	93 13 033	4	Setscrew
22	91 00 203	4	Spring washer
23	72 90 322	1	Bearing housing
24	02 11 186	4	Bolt
25	10 65 077	2	Special washer
26	09 01 121	2	Greaser
27	72 90 056	2	Internal circlip
28	06 00 097	1	Adaptor sleeve assembly
29	06 00 096	1	Bearing - free end
30	72 90 013	1	Bearing adaptor
31	72 90 323	1	Drive hub
32	72 90 017	1	Key
33	72 90 048	1	Seal



FLAIL CASING - Belt drive



McDONNELL





Ref Part No. Qty Description

**1.2M BELT DRIVE FLAIL HEAD CASING  
continued**

34	72 90 321	1	Bearing housing - drive end
35	06 00 095	1	Bearing - drive end
36	04 01 255	1	External circlip
37	72 90 049	1	Seal
38	72 90 023	1	Bearing retainer
39	93 43 034	6	Capscrew
40	93 13 045	6	Setscrew
41	72 90 047	2	Drive sprocket
42	72 90 016	1	Taper lock drive bush
43	72 90 046	1	Belt
44	05.424.07	1	Taper lock drive bush
45	72 90 426	1	Motor mounting plate
46	72 90 051	4	Special washer
47	91 00 105	2	Plain washer
48	93 13 117	1	Belt adjuster screw
49	91 13 007	2	Nut
50	13 35 246	1	Serial No. Plate
51	71 03 230	4	Pop rivet
52	43010.03	1	Hydraulic motor
53	80 02 086	2	Adaptor
54	86 50 106	2	Bonded seal
55	92 00 023	2	Special bolt
56	91 00 024	2	Special nut
57	85 01 227	1	Hose 1" BSP x 21" long SF-135F
58	85 01 228	1	Hose 1" BSP x 22 1/2" long SF-135F
59	72 90 073	3	Tab washer
60	72 90 061	1	Pivot rod
61	72 90 388	1	Hood carrier bracket L. hand
62	72 90 387	1	Hood carrier bracket R. hand not illus.
63	72 90 425	as req	Shim
64	72 90 424	as req	Shim

**72 90 375**

**FRONT FLAP KIT**

65	72 90 053	8	Front flap
66	71 90 304	1	Clamp strip
67	92 93 054	16	Dome headed coach bolt
68	91 43 005	16	Self locking nut

**43010.01**

**SEAL KIT**

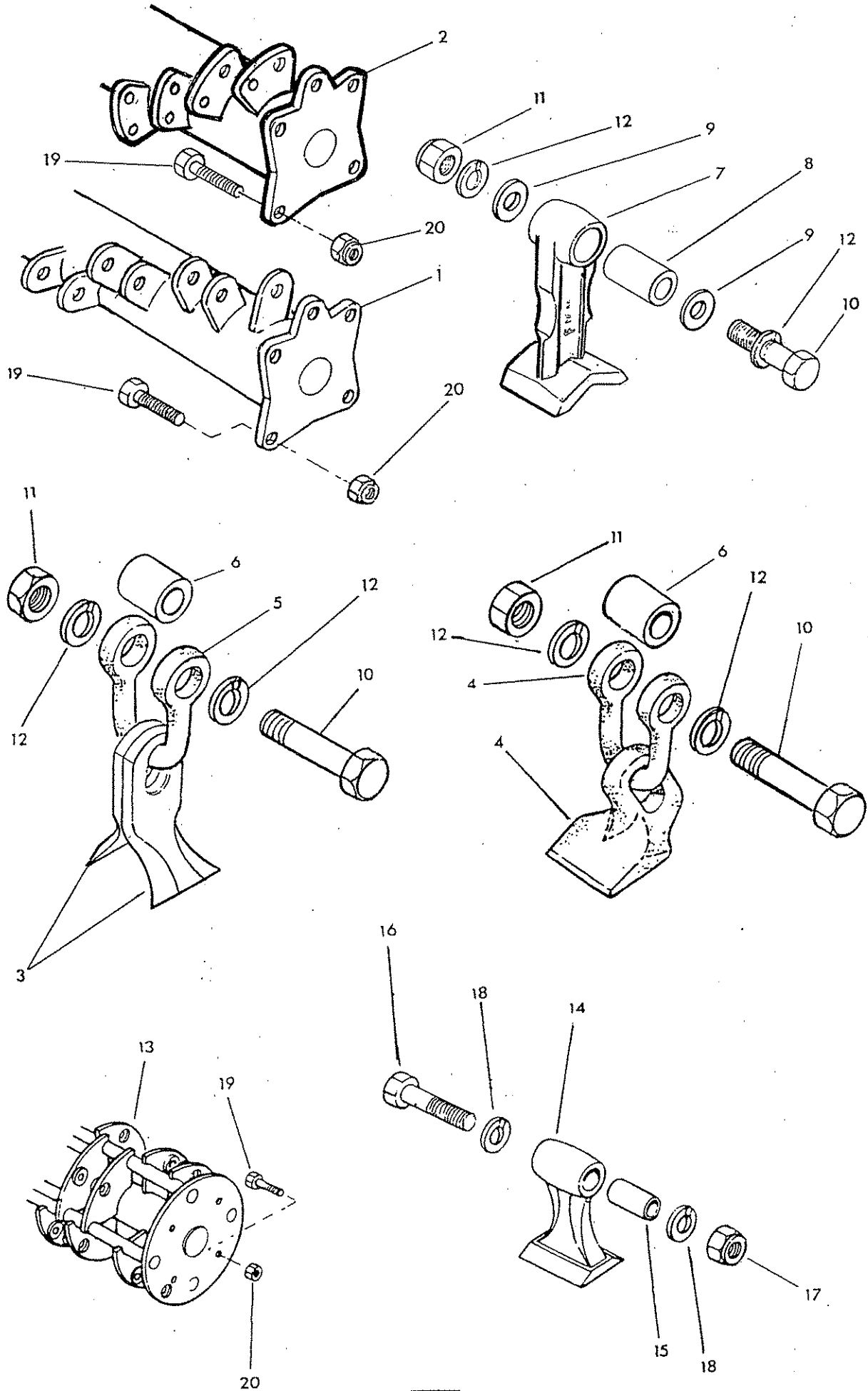
86 29 223

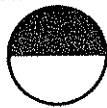
Shaft seal

ROTORS and FLAILS



McCOMEL





Ref	Part No	Qty	Description
<b>ROTORS AND FLAILS</b>			
1	73 90 270	1	Rotor - 24 flail positions
2	42636.01	1	Rotor - 36 flail positions

The following flails are suitable for use with 73 90 270 and 42636.01

Note: Quantities are per flail position

3	41654.01	2	Flail
4	71 90 462	1	Flail
5	73 90 013	1	Shackle
6	73 90 018	1	Spacer sleeve
7	73 14 366	1	Flail
8	73 14 223	1	Pivot boss
9	73 90 005	2	Spacer
10	73 90 006	1	Special bolt
11	01 41 006	1	Self locking nut
12	01 00 206	2	Spring washer
13	71 90 465	1	Rotor - Omega

The following are used with 71 90 465

14	81 90 464	20	Flail
15	71 90 117	20	Bush
16	73 90 006	20	Special bolt
17	01 41 006	20	Self locking nut
18	01 00 206	20	Spring washer

The following are used with all rotors

19	92 00 025	2	Special bolt
20	91 00 024	2	Special nut

#### ROTOR ASSEMBLIES - DIRECT DRIVE

71 90 501	Rotor assembly 24 position - Hedge
71 90 502	Rotor assembly 24 position - Grass
71 90 503	Rotor assembly 24 position - Universal
71 90 581	Rotor assembly 36 position - Hedge
71 90 582	Rotor assembly 36 position - Grass
71 90 583	Rotor assembly 36 position - Universal
71 90 471	Rotor assembly - Omega

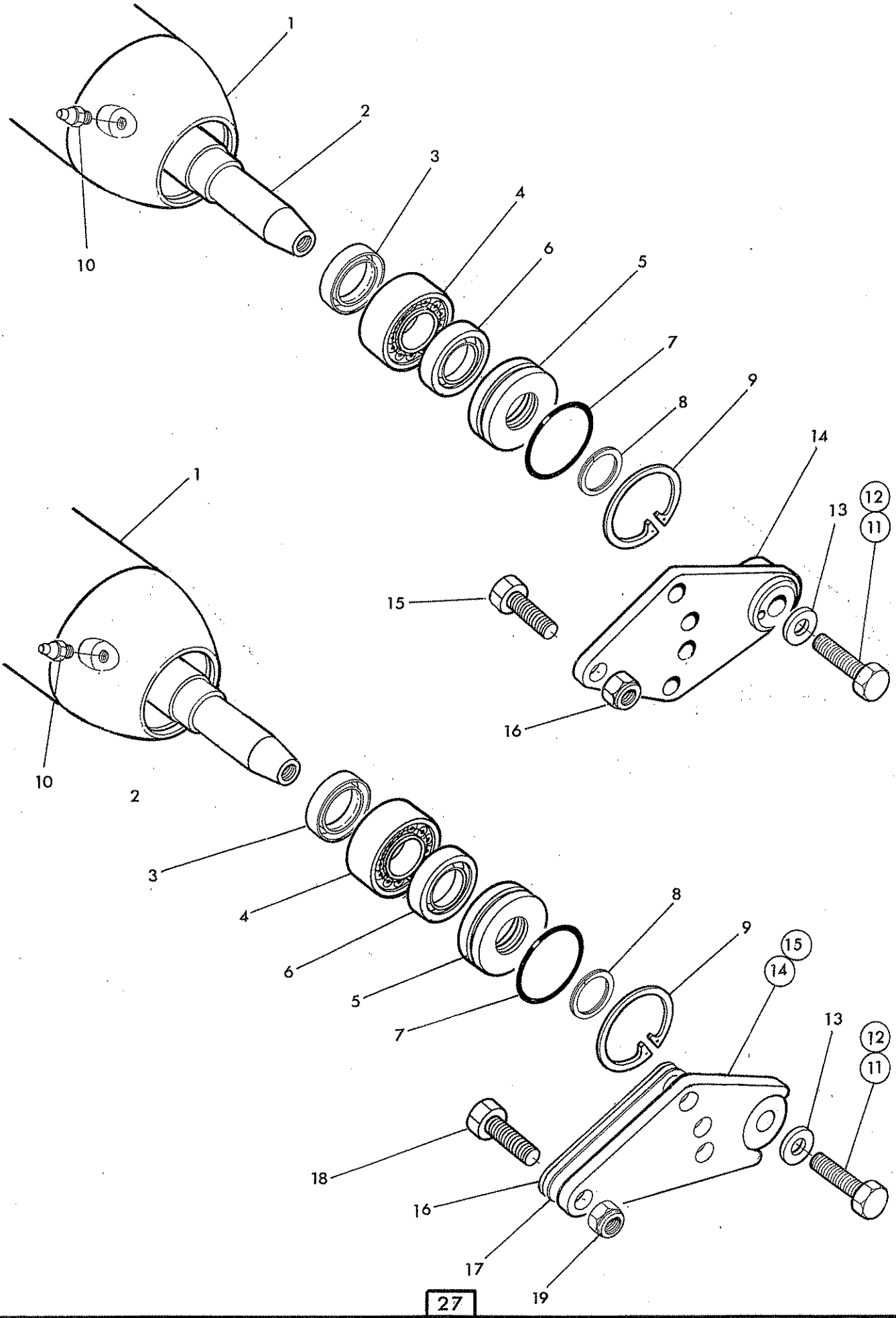
#### ROTOR ASSEMBLIES - BELT DRIVE

73 90 271	Rotor assembly 24 position - Hedge
73 90 272	Rotor assembly 24 position - Grass
73 90 273	Rotor assembly 24 position - Universal
73 90 319	Rotor assembly 36 position - Hedge
73 90 320	Rotor assembly 36 position - Grass
73 90 321	Rotor assembly 36 position - Universal
71 90 498	Rotor assembly Omega

ROLLERS



**McCORMICK**





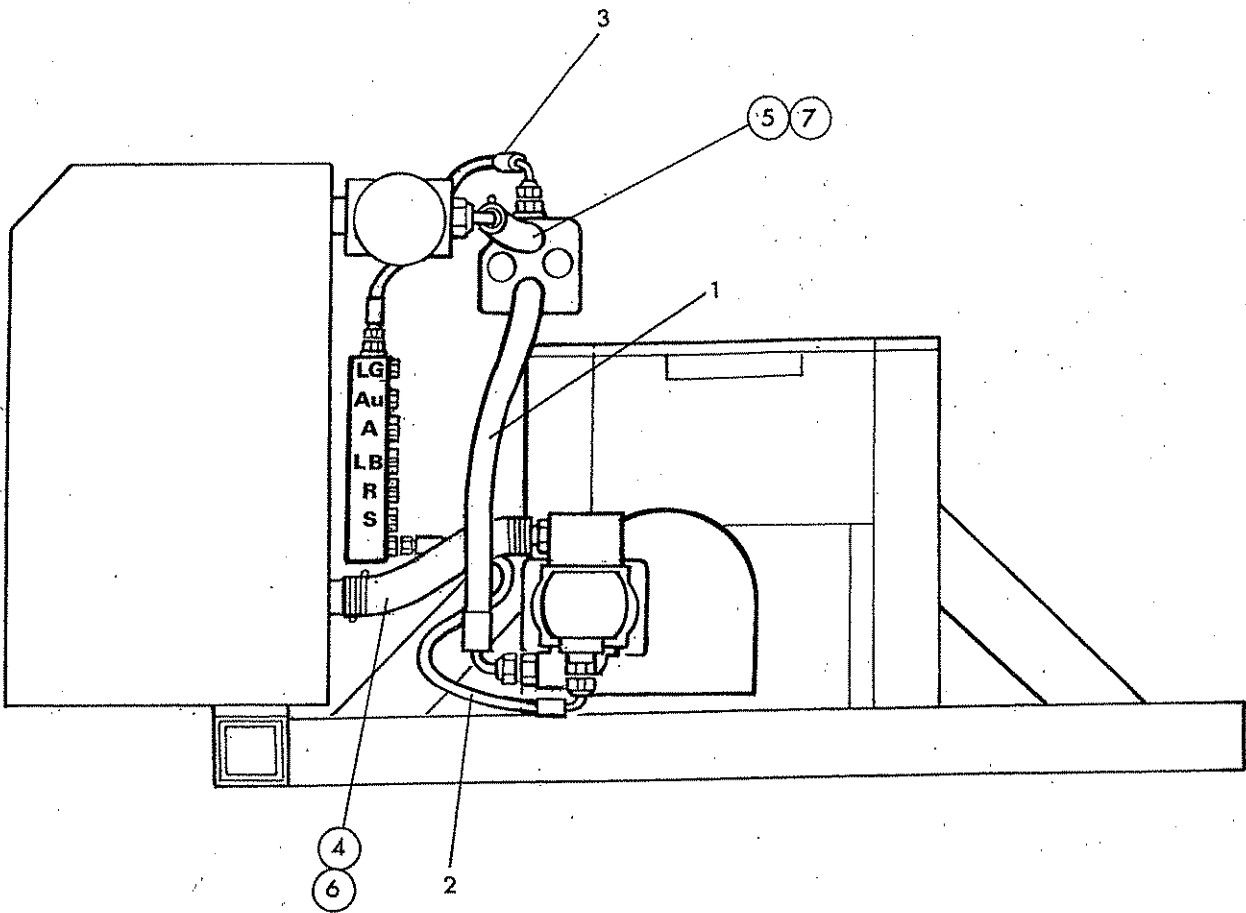
Ref	Part No.	Qty	Description
<b>ROLLER ASSEMBLIES</b>			
<b>42241.25                      DIRECT DRIVE HEADS</b>			
1	42241.10	1	Roller
2	42242.04	1	Roller axle
3	86 29 181	2	Seal
4	06 00 099	2	Bearing
5	73 90 011	2	Seal carrier
6	86 29 125	2	Seal
7	86 00 422	2	'O' ring
8	04 12 120	2	Spring ring
9	04 11 262	2	Circlip - internal
10	09 01 121	2	Greaser
11	93 00 150	1	Special set screw                      L Hand
12	93 00 149	1	Special set screw                      R Hand
13	42503.02	2	Special washer
14	42246.03	2	Roller bracket
15	02 11 186	4	Bolt
16	01 41 006	4	Self locking nut

<b>42241.24                      BELT DRIVE HEADS</b>			
1	42241.10	1	Roller
2	42242.04	1	Roller axle
3	86 29 181	2	Seal
4	06 00 099	2	Bearing
5	73 90 011	2	Seal carrier
6	86 29 125	2	Seal
7	86 00 422	2	'O' ring
8	04 12 120	2	Spring ring
9	04 11 262	2	Circlip - internal
10	09 01 121	2	Greaser
11	93 00 150	1	Special set screw                      L Hand
12	93 00 149	1	Special set screw                      R Hand
13	42503.02	2	Special washer
14	42246.01	1	Roller bracket L Hand
15	42246.02	1	Roller bracket R Hand
16	42257.02	as req.	Shim
17	42257.01	as req.	Shim
18	93 13 097	4	Setscrew
19	91 43 007	4	Self locking nut

**HOSE INSTALLATION -  
primary circuit**



**McCORMEL**





Ref Part No Qty Description

PRIMARY CIRCUIT T I

Main control valve  
Rotor control valve  
Pump and gearbox  
Hydraulic reservoir

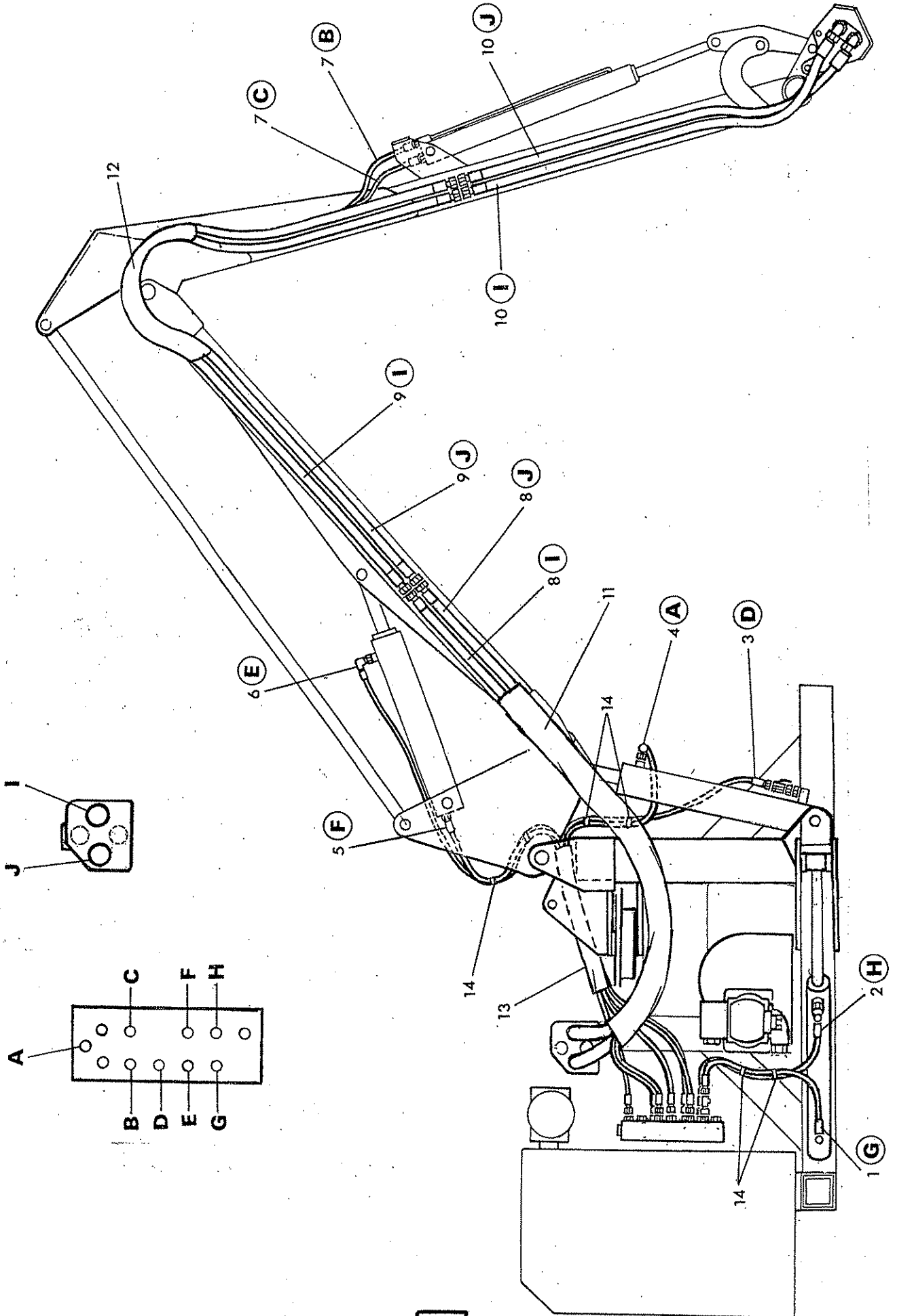
1	85 01 169	1	Hose 1 BSPx29" long. Pump - R.C. valve R hand
2	10.004.12	1	Hose 1/2 BSPx600mm long. Pump - main valve
3	10.004.12	1	Hose 1/2 BSPx 600mm long. Main valve-R.C.valve
4	85 01 252	1	Hose 1 1/2" bore x 14" long - suction
5	85 00 800	1	Hose 1" bore x 275mm long. R.C. valve - Tank
6	09 04 107	4	Hose clip - 1 1/2" bore
7	09 04 106	4	Hose clip 1" bore

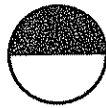


**HOSE INSTALLATION -  
service circuit**



**McCONNEL**





Ref Part No Qty Description

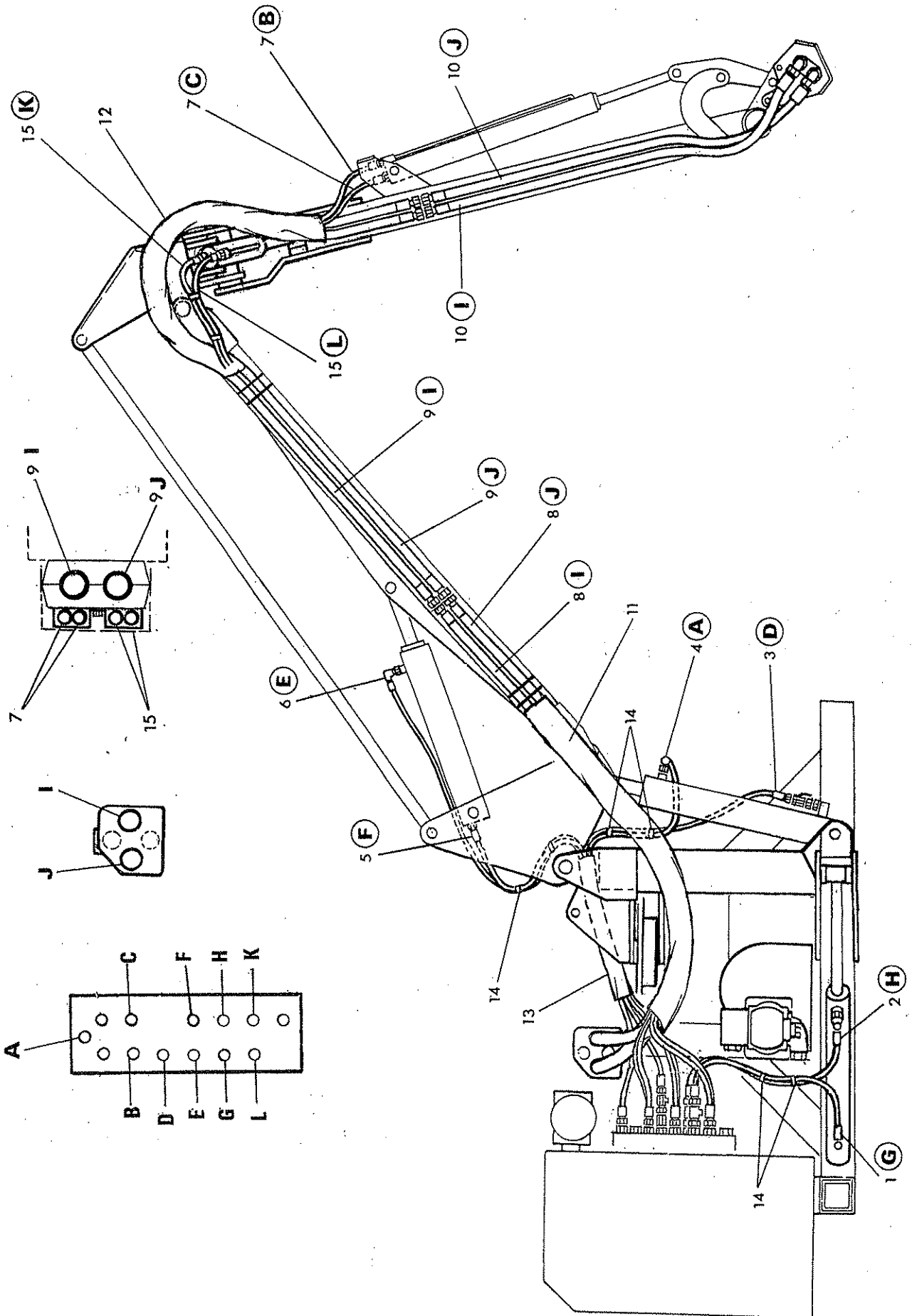
**HOSE INSTALLATION SERVICE CIRCUITS**

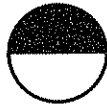
1	10.002.14	1	Hose 1/4 BSP x 700mm long - slew base
2	10.002.12	1	Hose 1/4 BSP x 600mm long - slew gland
3	10.001.26	1	Hose 1/4 BSP x 1600mm long - lift base
4	10.002.24	1	Hose 1/4 BSP x 1400mm long - lift gland
5	10.001.26	1	Hose 1/4 BSP x 1600mm long - reach base
6	10.002.31	1	Hose 1/4 BSP x 2100mm long - reach gland
7	10.001.55	2	Hose 1/4 BSP x 4500mm long - angle
8	10.011.33	2	Hose 1" BSP x 2300mm long - R.C. valve - main arm junction
9	85 69 028	2	Hose 1" BSP x 2030mm long-dipper pivot
10	85 01 098	2	Hose 1" BSP x 1220mm long - dipper junction - flail head
11	75 50 026	1	Hose sleeve 66" long
12	75 50 063	2	Hose sleeve 30" long
13	42374.13	1	Hose sleeve 650mm long
14	71 35 084	7	Hose tie

**HOSE INSTALLATION - MIDCUT**  
service circuit



**McCOMEL**





Ref Part No Qty Description

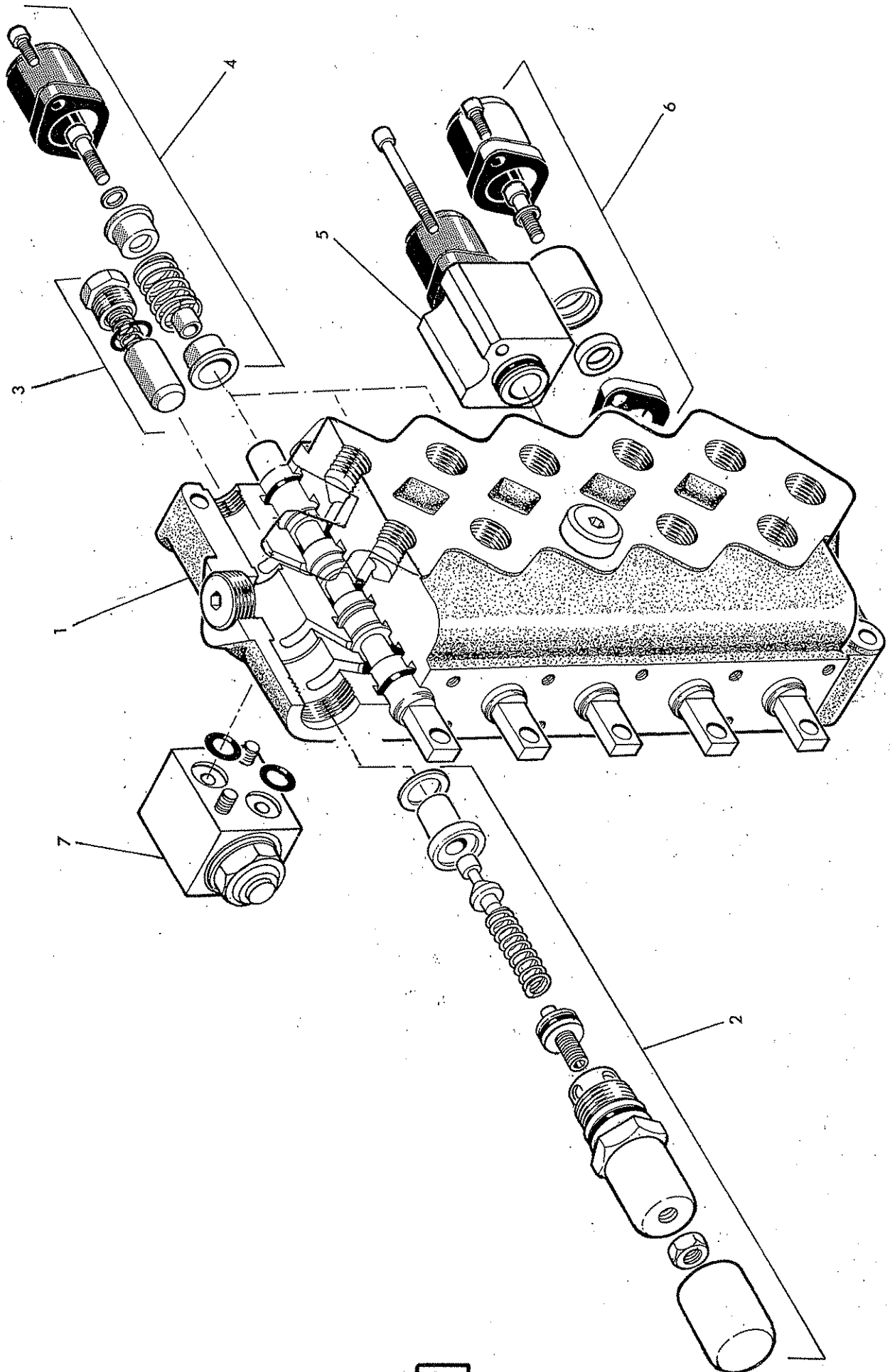
## HOSE INSTALLATION SERVICE CIRCUITS

1	10.002.14	1	Hose 1/4 BSP x 700mm long - slew base
2	10.002.12	1	Hose 1/4 BSP x 600mm long - slew gland
3	10.001.26	1	Hose 1/4 BSP x 1600mm long - lift base
4	10.002.24	1	Hose 1/4 BSP x 1400mm long - lift gland
5	10.001.26	1	Hose 1/4 BSP x 1600mm long - reach base
6	10.002.31	1	Hose 1/4 BSP x 2100mm long - reach gland
7	10.001.59	2	Hose 1/4 BSP x 4900mm long - angle
8	10.011.33	2	Hose 1" BSP x 2300mm long - R.C. valve - main arm junction
9	85 69 048	2	Hose 1" BSP x 2500mm long-dipper pivot
10	85 01 098	2	Hose 1" BSP x 1220mm long - dipper junction - flail head
11	75 50 026	1	Hose sleeve 66" long
12	75 50 373	2	Hose sleeve 70" long
13	42374.13	1	Hose sleeve 650mm long
14	71 35 084	9	Hose tie
15	10.017.50	2	Hose 1/4 BSP x 4000mm long - fold

CONTROL VALVE



**McCORMICK**



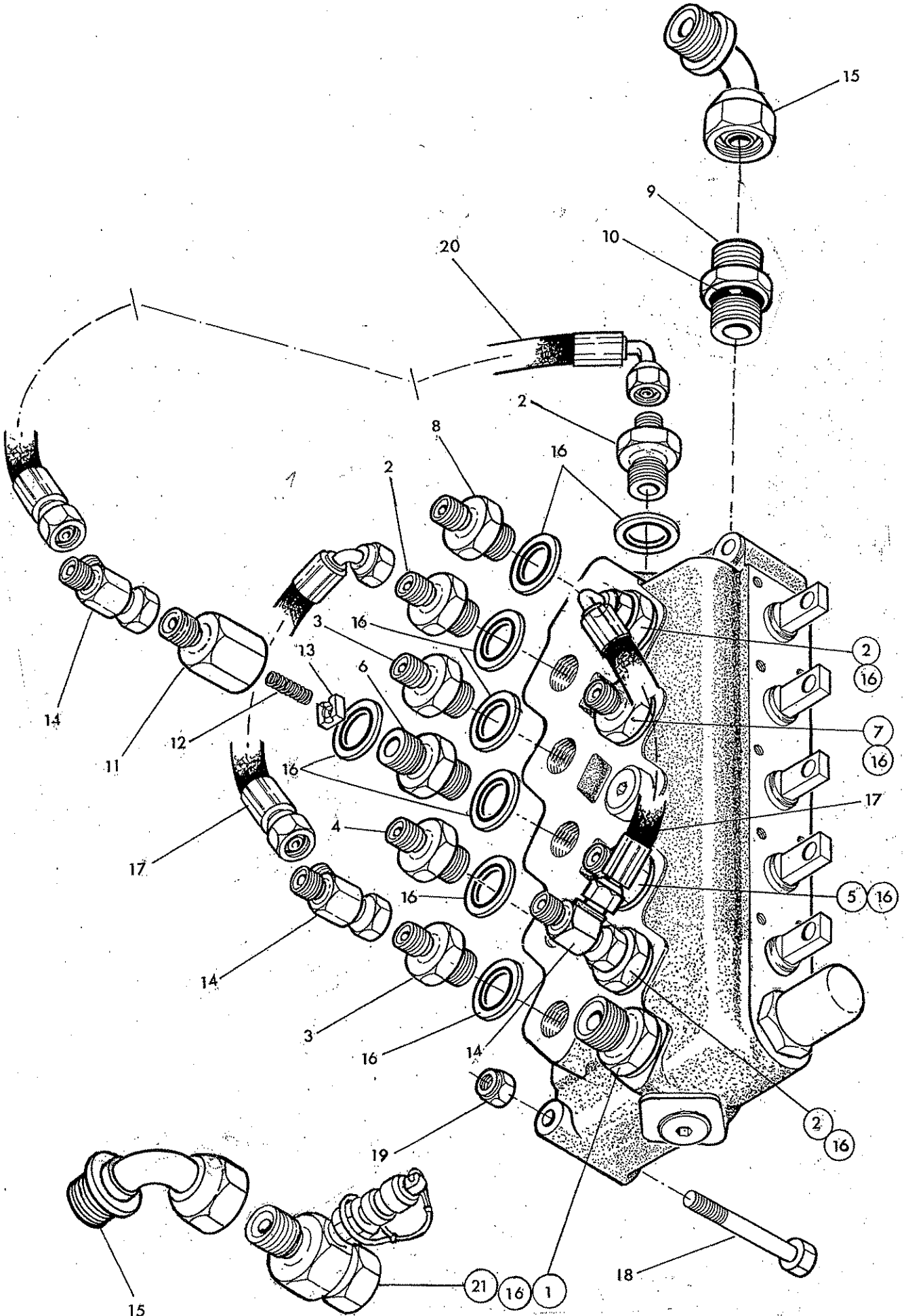


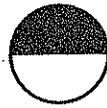
Ref	Part No	Qty	Description
-----	---------	-----	-------------

**CONTROL VALVE ASSEMBLY**

1	81 30 634	1	Valve assembly incl:
2	G381.2542	1	Main relief valve 190 bar
3	81 30 022	1	Non return valve
4	81 30 134	3	Centering spring assy
5	81 30 084	1	Angle float detent assy
6	81 30 133	1	Slew/auto reset detent assy
7	81 28 022	1	Slew base relief valve 210 bar

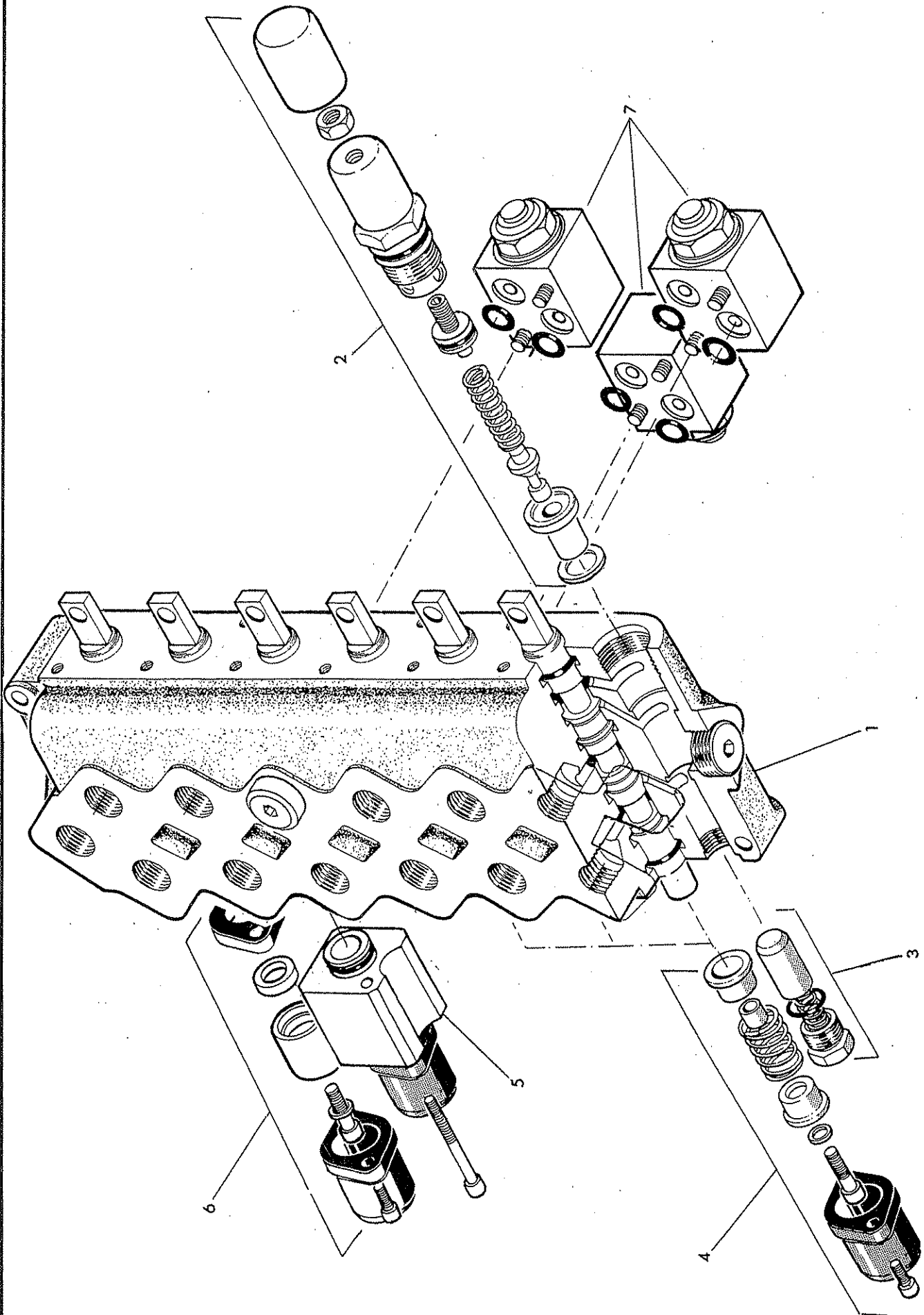
86 99 163	2	SEAL KIT
-----------	---	----------



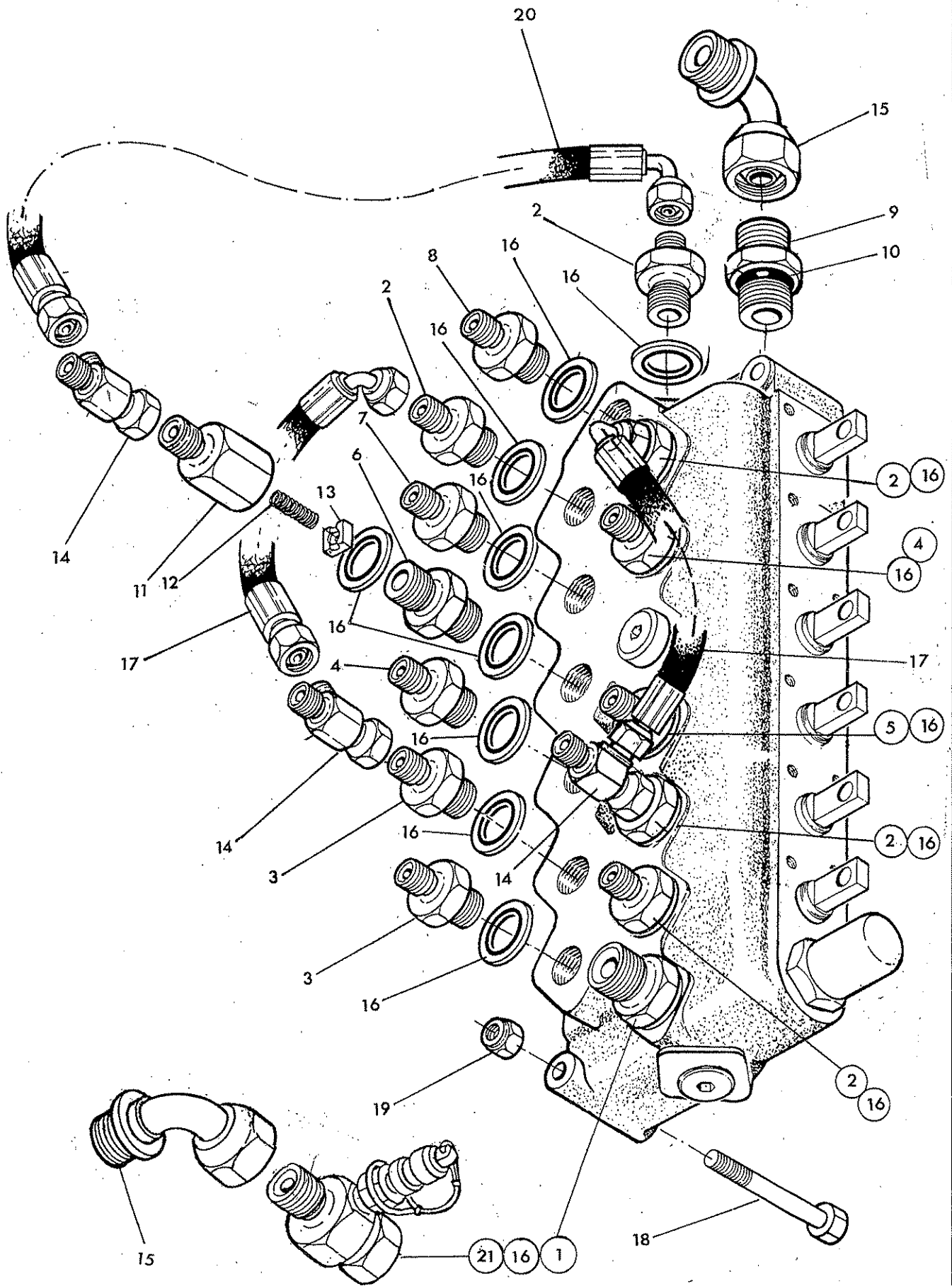


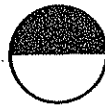
Ref	Part No	Qty	Description
<b>CONTROL VALVE FITTINGS</b>			
1	60 00 112	1	Adaptor
2	85 81 115	4	Adaptor
3	81 30 066	2	Restrictor union 'M'
4	81 30 046	1	Restrictor union 'A'
5	81 30 047	1	Restrictor union 'B'
6	85 81 209	1	Union
7	81 30 048	1	Restrictor union 'C'
8	81 30 067	1	Restrictor union 'E'
9	85 81 371	1	Adaptor - special incl 'O' ring
10	86 00 505	1	'O' ring
11	85 81 214	1	Restrictor body
12	81 16 011	1	Spring
13	81 23 043	1	Restrictor disc - green
14	85 81 254	3	Tee adaptor
15	85 81 215	2	Swept elbow
16	86 50 103	13	Bonded seal
17	10.002.04	2	Hose 1/4 BSP x 200 long
18	92 13 134	3	Bolt
19	91 43 004	3	Self locking nut
20	10.002.08	1	Hose 1/4 BSP x 400 long
21	81 31 004	1	Test point union





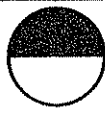




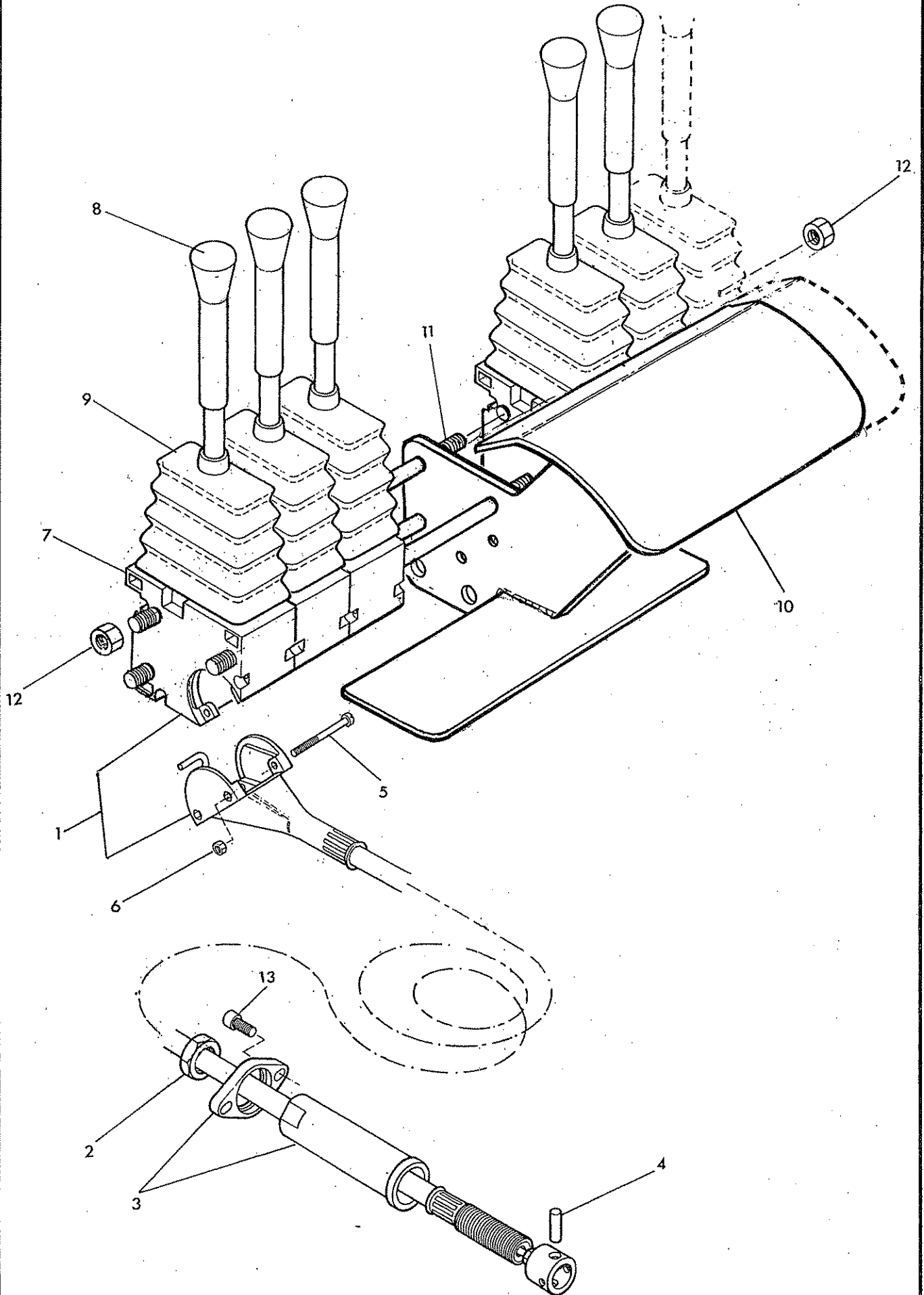


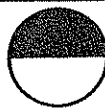
Ref	Part No	Qty	Description
<b>CONTROL VALVE FITTINGS MIDCUT</b>			
1	60 00 112	1	Adaptor
2	85 81 115	5	Adaptor
3	81 30 066	3	Restrictor union 'M'
4	81 30 046	1	Restrictor union 'A'
5	81 30 047	1	Restrictor union 'B'
6	85 81 209	1	Union 3/8 BSP MM
7	81 30 048	1	Restrictor union 'C'
8	81 30 067	1	Restrictor union 'E'
9	85 81 371	1	Adaptor - special incl 'O' ring
10	86 00 505	1	'O' ring
11	85 81 214	1	Restrictor body
12	81 16 011	1	Spring
13	81 23 043	1	Restrictor disc - green
14	85 81 254	3	Tee adaptor
15	85 81 215	1	Swept elbow
16	86 50 103	13	Bonded seal
17	10.002.04	2	Hose 1/4 BSP x 200 long
18	92 13 134	3	Bolt
19	91 43 004	3	Self locking nut
20	10.002.08	1	Hose 1/4 BSP x 400 long
21	81 31 004	1	Test point union

LEVER CONTROLS



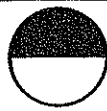
McCOMEL



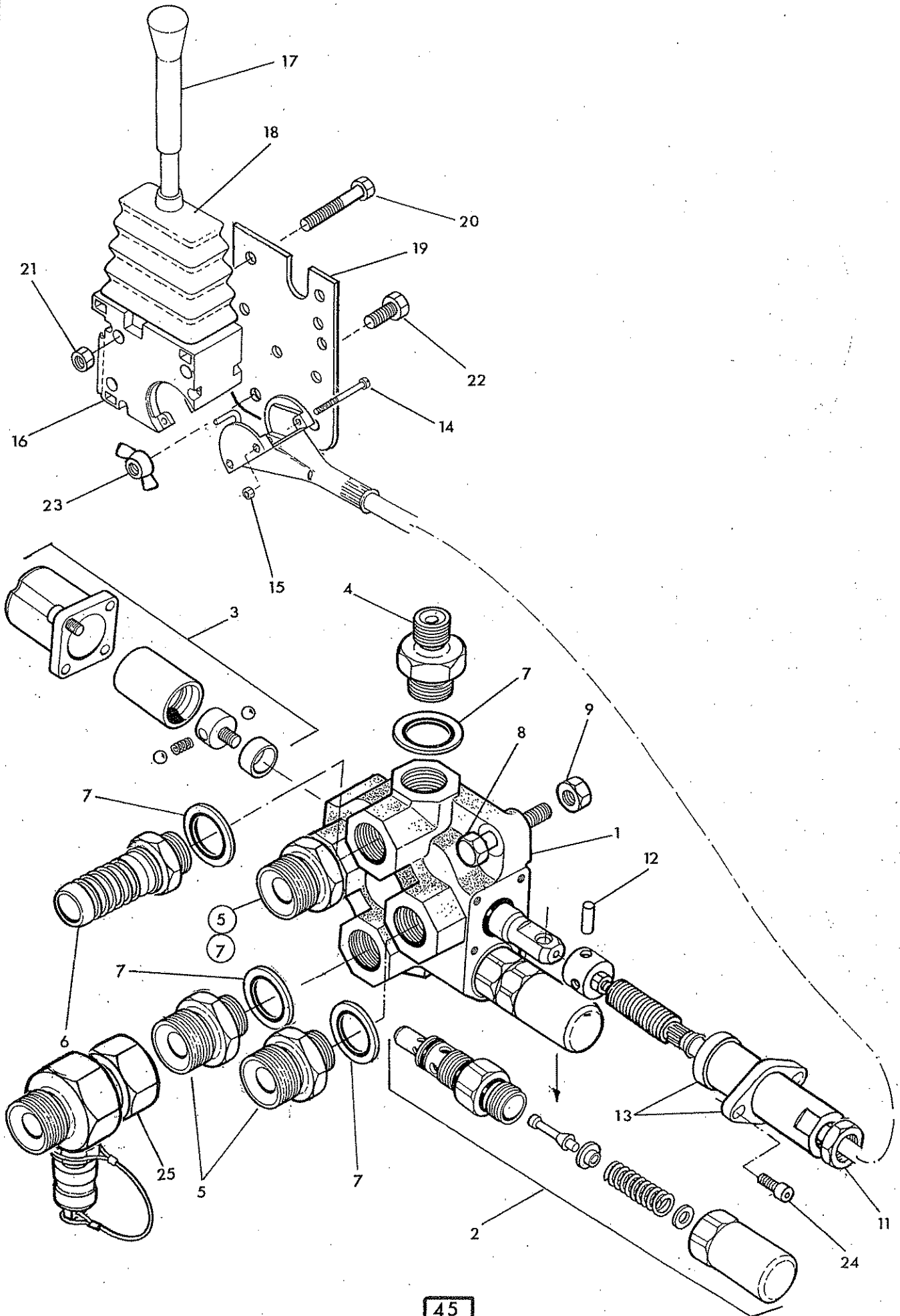


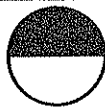
Ref	Part No	Qty	Description
<b>LEVER CONTROLS</b>			
1	80 17 037		Lever and cable assembly incl:
2	80 17 014	1	Locknut
3	80 17 013	1	Flange and sleeve
4	80 17 016	1	Spool eye pin
5	93 73 081	2	Screw
6	91 13 001	2	Nut
7	80 17 023	1	Lever pivot box
8	80 17 027	1	Knob
9	80 17 026	1	Weather gaiter
10	76 50 307	1	Mounting bracket
	76 50 308	1	Mounting bracket - midcut
11	04.282.71	3	Tie rod
	04.282.72	3	Tie rod - midcut
12	91 43 003	6	Self locking nut
13	93 43 022		Capscrew

ROTOR CONTROL



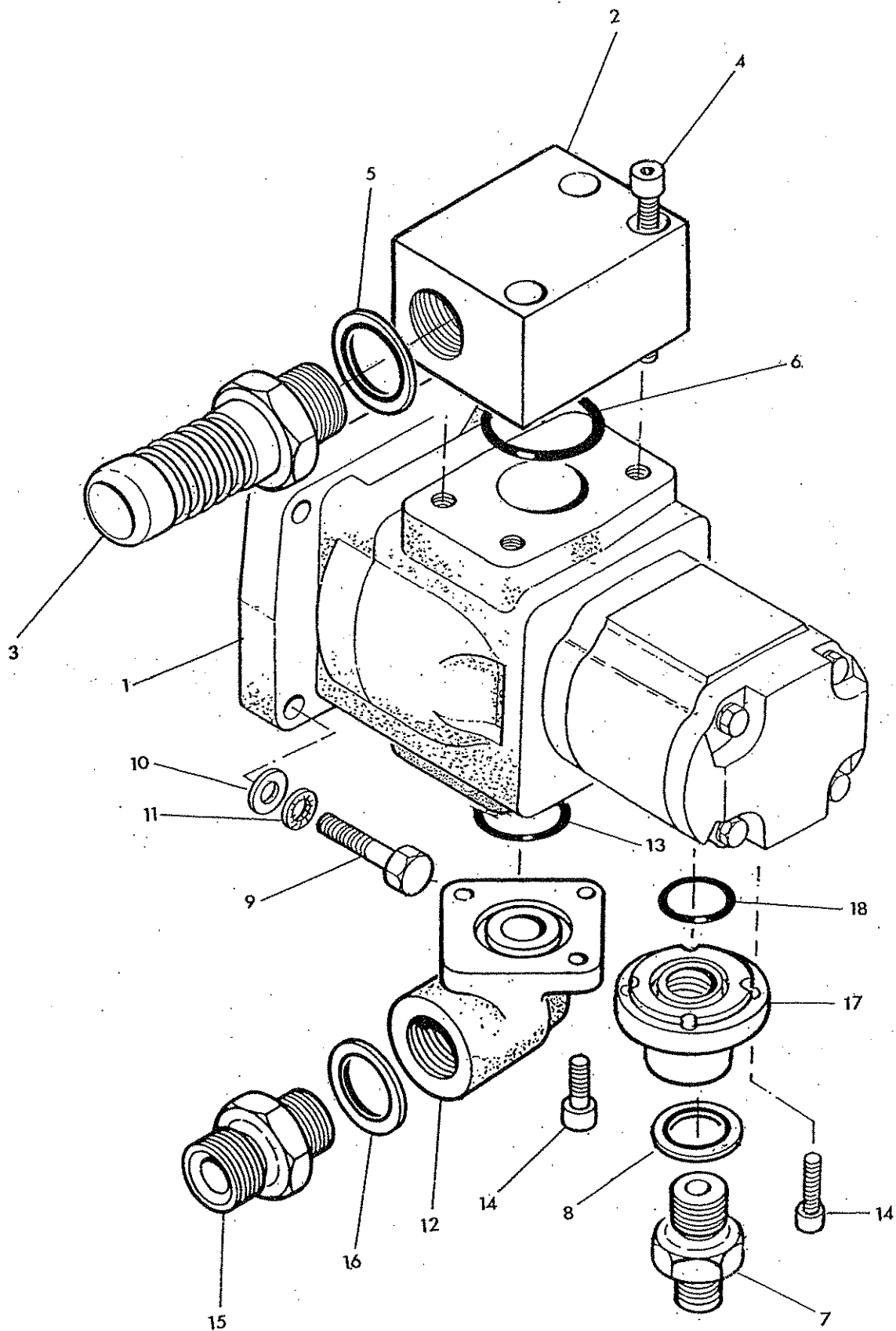
**McCORMICK**

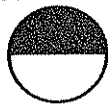




Ref	Part No	Qty	Description
<b>ROTOR CONTROL VALVE ASSEMBLY</b>			
1	81 25 355	1	Rotor control valve
2	81 25 095	1	Relief valve
3	81 25 109	1	Detent assembly
4	85 81 130	1	Adaptor
5	80 02 086	3	Adaptor
6	85 81 246	1	Adaptor low pressure
7	86 50 106	5	Bonded seal
8	92 13 085	2	Bolt
9	91 43 005	2	Self locking nut
10	80 17 045	1	Lever & cable assembly - rotor control compr:
11	80 17 014	1	Locknut
12	80 17 021	1	Pin
13	80 17 018	1	Flange and sleeve
14	93 73 081	2	Screw
15	91 13 001	2	Nut
16	80 17 024	1	Lever pivot box
17	09.968.99	1	Knob
18	80 17 026	1	Weather gaiter
19	76 50 282	1	Lever mounting plate
20	92 13 113	3	Bolt
21	91 43 003	3	Self locking nut
22	93 13 034	2	Setscrew
23	91 93 004	2	Wingnut
24	93 43 023	2	Capscrew
25	81 31 012	1	Test point
	<b>86 99 218</b>		<b>SEAL KIT</b>







Ref	Part No	Qty	Description
<b>PUMP ASSEMBLY</b>			
1	82 01 700	1	Tandem pump compr:
	82 01 165	1	Large pump
	82 01 166	1	Small pump
2	42142.01	1	Suction flange
3	85 81 260	1	Adaptor <span style="float: right;">low pressure</span>
4	92 43 126	3	Capscrew
5	86 50 109	1	Bonded seal
6	86 00 304	1	'O' ring
7	85 81 110	1	Adaptor
8	86 50 104	1	Bonded seal
9	93 13 074	4	Bolt
10	91 00 104	4	Plain washer
11	91 00 404	7	Shakeproof wahser
12	80 05 052	1	Pressure connection
13	86 00 403	1	'O' ring
14	93 00 147	7	Capscrew
15	80 02 086	1	Adaptor
16	86 50 106	1	Bonded seal
17	42029.01	1	Pressure connection
18	86 00 405	1	'O' ring

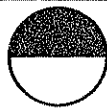
86 99 234

SEAL KIT

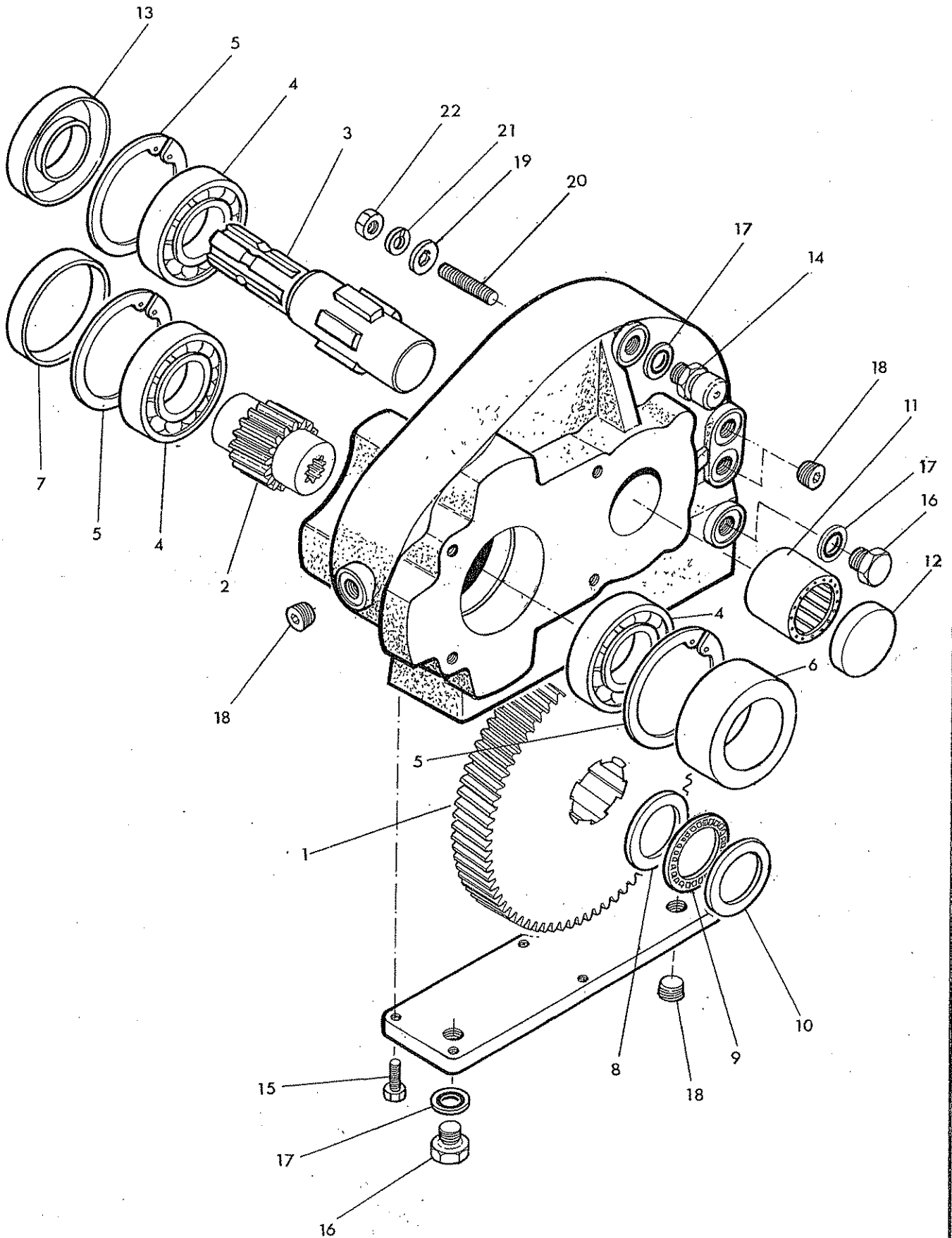
86 29 209

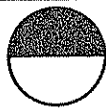
Shaft seal

GEARBOX



WILSON  
WILSON



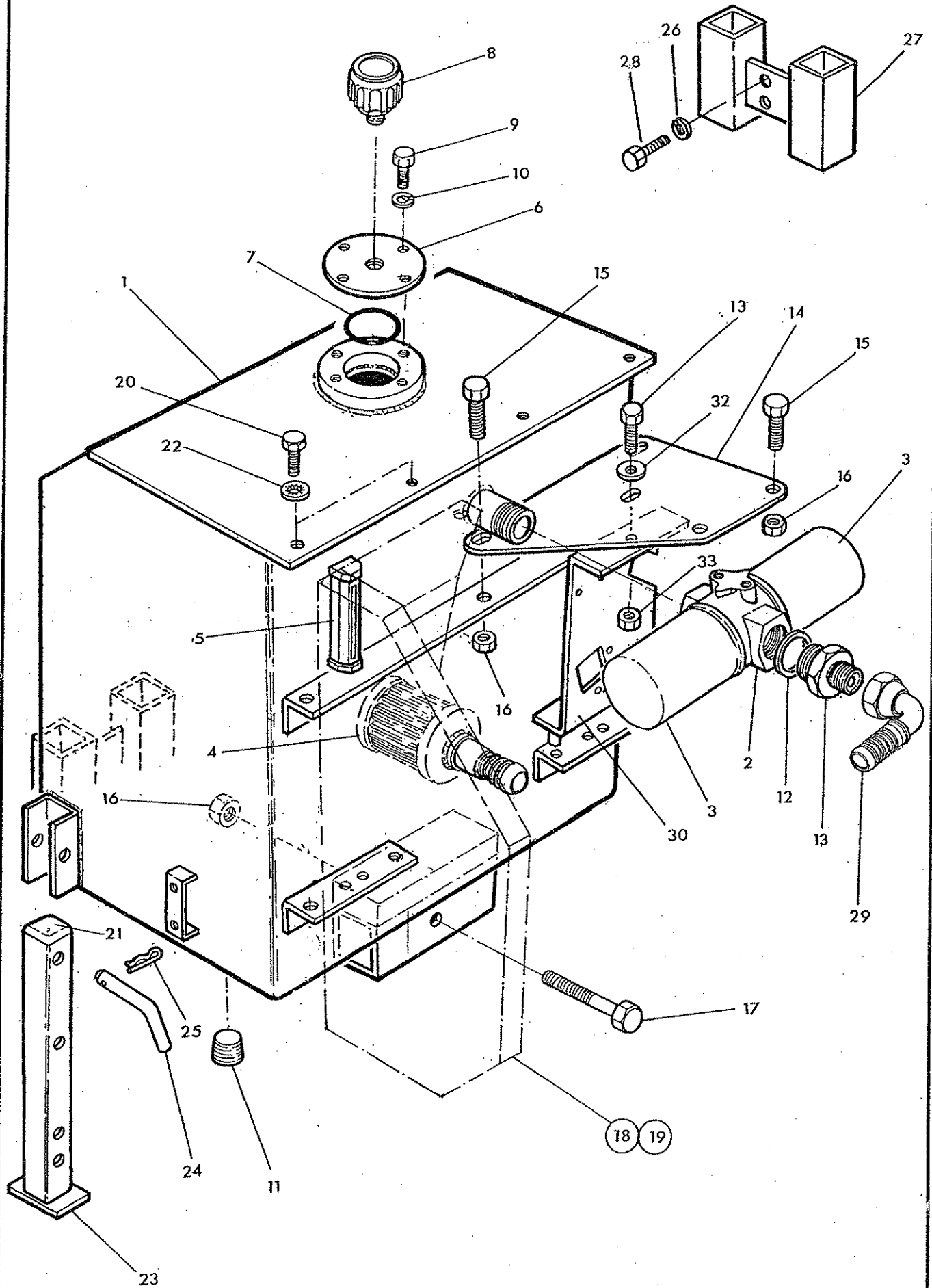


Ref	Part No	Qty	Description
	<b>42693.03</b>		<b>GEARBOX ASSEMBLY incl:</b>
1	80 13 103	1	Gear - 72 teeth
2	42693.33	1	Pinion - 17 teeth
3	42693.34	1	Input shaft
4	06 00 042	3	Bearing
5	42693.36	3	Internal circlip
6	42693.48	1	Spacing collar
7	42693.40		Blanking plug
8	42693.45	1	Shaft piloted washer
9	42693.46	1	Thrust roller bearing
10	42693.47	1	Housing piloted washer
11	42693.44	1	Needle roller bearing
12	42693.49	1	Blanking plug
13	42693.39	1	Seal
14	42693.58	1	Breather
15	93 13 044	6	Setscrew
16	85 81 113	2	Hexagon plug
17	86 50 102	3	Bonded seal
18	42693.41	4	Taper plug - socket headed
19	91 00 106	4	Plain washer
20	04 282 17	4	Stud
21	91 00 206	4	Spring washer
22	91 13 006	4	Plain nut

TANK



McCOMEL





Ref Part No Qty Description

**OIL TANK AND FITTINGS**

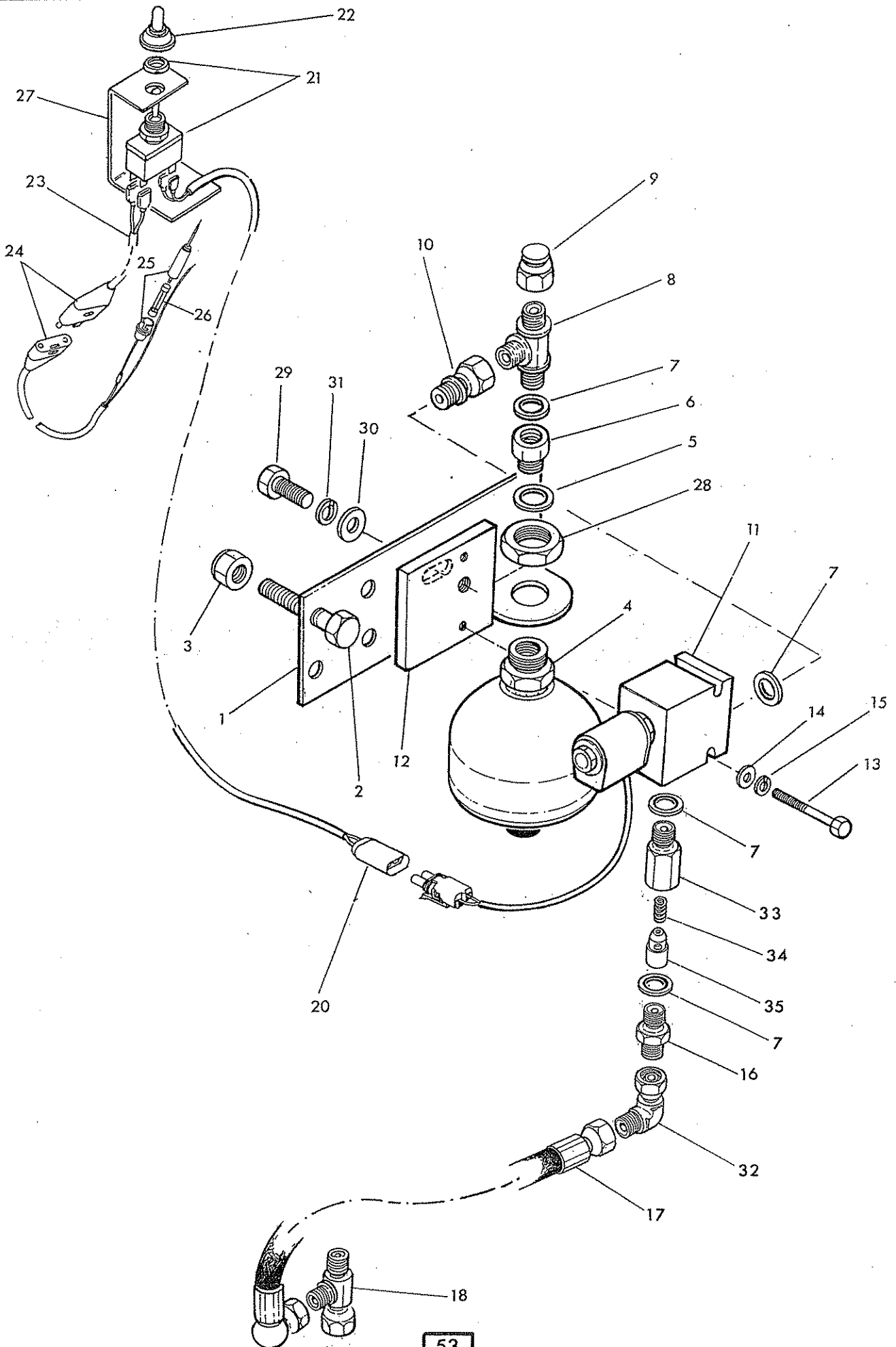
Ref	Part No	Qty	Description
1	41523.03	1	Oil tank
2	84 01 060	1	Filter head
3	84 01 041	2	Filter element
4	84 01 047	1	Strainer
5	84 01 048	1	Level guage
6	71 92 063	1	Cover
7	86 00 151	1	'O' ring
8	84 01 063	1	Breather
9	93 13 054	4	Setscrew
10	91 00 204	4	Spring washer
11	85 81 203	1	Drain plug
12	86 50 224	1	Bonded seal
13	85 81 291	1	Adaptor
14	41553.02	1	Tank stay bracket
15	93 13 066	4	Setscrew
16	91 43 006	5	Self locking nut
17	92 13 226	1	Bolt
18	41529.03	1	Tank fairing - L hand
19	41529.04	1	Tank fairing - R hand
20	93 13 035	2	Setscrew
21	71 91 108	2	Plastic bung
22	91 00 305	2	Shakeproof washer
23	41773.01	2	Stand leg
24	71 92 023	2	Leg pin
25	04 31 105	2	Spring cotter
26	91 00 205	2	Spring washer
27	41743.01	1	Leg stow bracket
28	91 13 065	2	Setscrew
29	71 14 005	1	Swept elbow
30	43026.01	1	Valve mounting bracket
	43026.02	1	Valve mounting bracket Midcut
31	93 13 045	1	Setscrew
32	91 00 105	1	Plain washer
33	93 43 005	1	Self locking nut

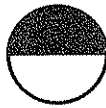
low pressure  
cable  
machines  
only

LIFT FLOAT



**McCORMEL**





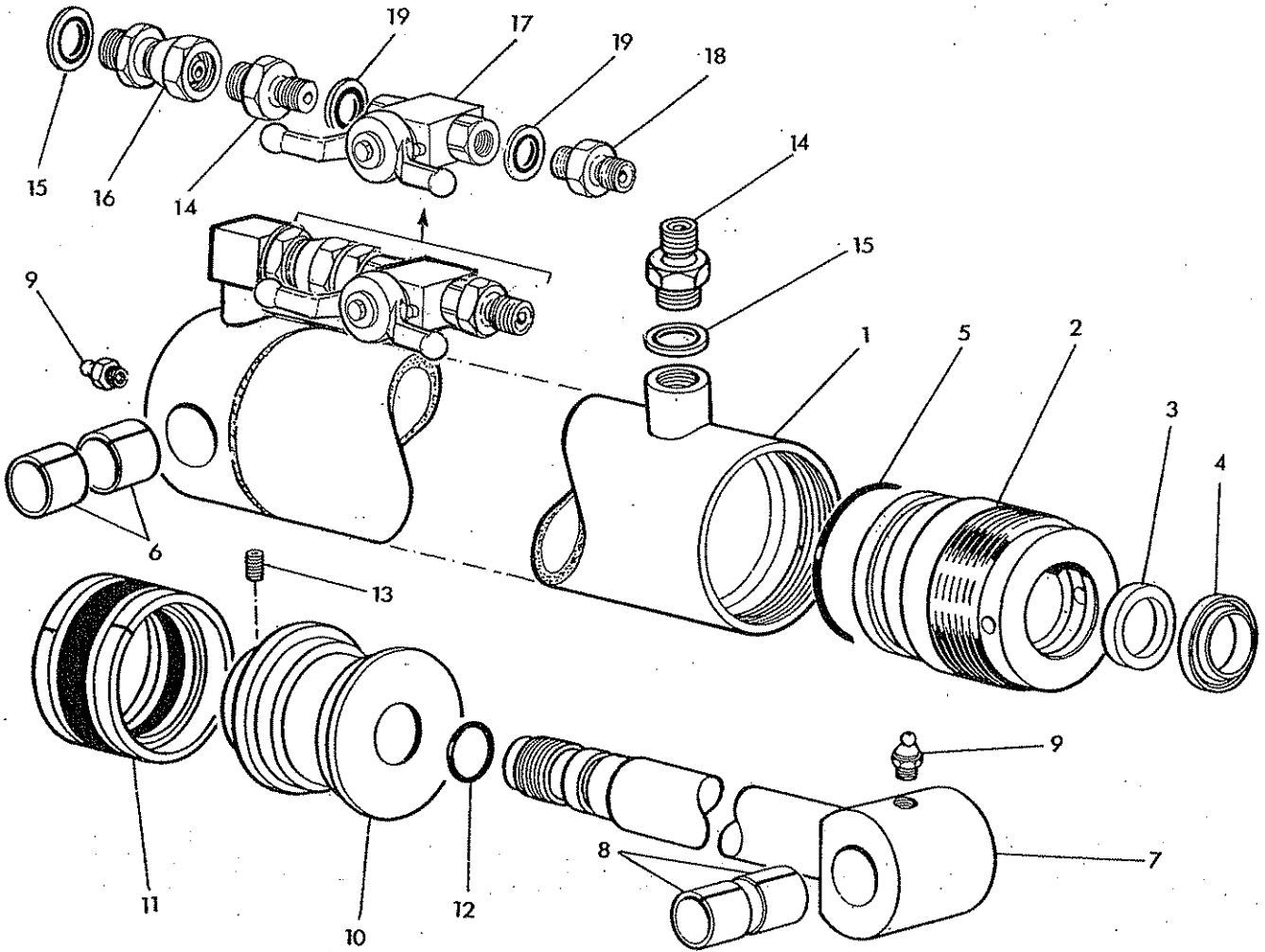
Ref	Part No	Qty	Description
	81 26 317		LIFT FLOAT KIT
1	42254.01	1	Mounting plate
2	92 13 127	2	Bolt M16 X 60
3	91 43 007	2	Self locking nut M16
4	81 26 044	1	Accumulator 1.4 l 20 bar
5	86 50 322	1	Bonded seal M22
6	85 81 284	1	Adaptor M22M - 3/8 BSP F
7	86 50 103	4	Bonded seal 3/8 BSP
8	85 81 267	1	Tee 3/8 M M M
9	52091	1	Cap 3/8 BSP
10	85 81 178	1	Straight swivel adaptor 3/8 BSP M F
11	08.619.09	1	Solenoid valve
12	42254.02	1	Spacer plate
13	92 13 133	2	Bolt M6 x 65
14	91 00 103	2	Plain washer dia 6
15	91 00 203	2	Spring washer dia 6
16	60 00 113	1	Union 3/8 BSP M M
17	10.004.15	1	Hose 3/8 BSP x 750 long
18	11.008.69	1	Tee 3/8 BSP M F M
19	84 02 208	1	Switch kit incl:
20	84 02 209	1	Cable with connector
21	84 02 182	1	Switch
22	84 02 024	1	Toggle cover
23	84 02 284	1	Supply harness incl:
24	84 02 062	1	Plug/socket
25	84 02 114	1	Fuse holder
26	84 02 037	1	Fuse - 10 amp
27	71 92 081	1	Switch mounting bracket
28	81 26 035	1	Thin bulkhead nut
29	93 13 055	1	Setscrew M10 x 25
30	91 00 105	1	Plain washer dia 10
31	91 00 205	1	Spring washer dia 10
32	85 81 117	1	Swivel elbow 3/8 BSP M M
33	81 26 307	1	Response body
34	81 16 011	1	Spring
35	81 26 037	1	Response piston



LIFT RAM



**McCormick**



Ref	Part No	Qty	Description
	<b>42095.02</b>		<b>LIFT RAM ASSEMBLY</b>
	42095.01	1	Lift ram compr:
1	42095.31	1	Barrel
2	42095.38	1	Gland housing
3	86 29 158	1	Gland seal
4	86 29 152	1	Rod wiper
5	86 00 742	1	'O' ring
6	71 01 134	2	Bush
7	42968.01	1	Rod
8	60 12 032	2	Bush
9	09 01 121	2	Greaser
10	42095.34	1	Piston
11	86 38 742	1	Piston seal
12	86 00 119	1	'O' ring
13	93 63 023	1	Grubscrew
14	85 81 115	2	Union
15	86 50 103	2	Bonded seal
16	85 81 178	1	Swivel union
17	81 30 181	1	Tap
18	85 81 169	1	Union
19	86 50 102	2	Bonded seal

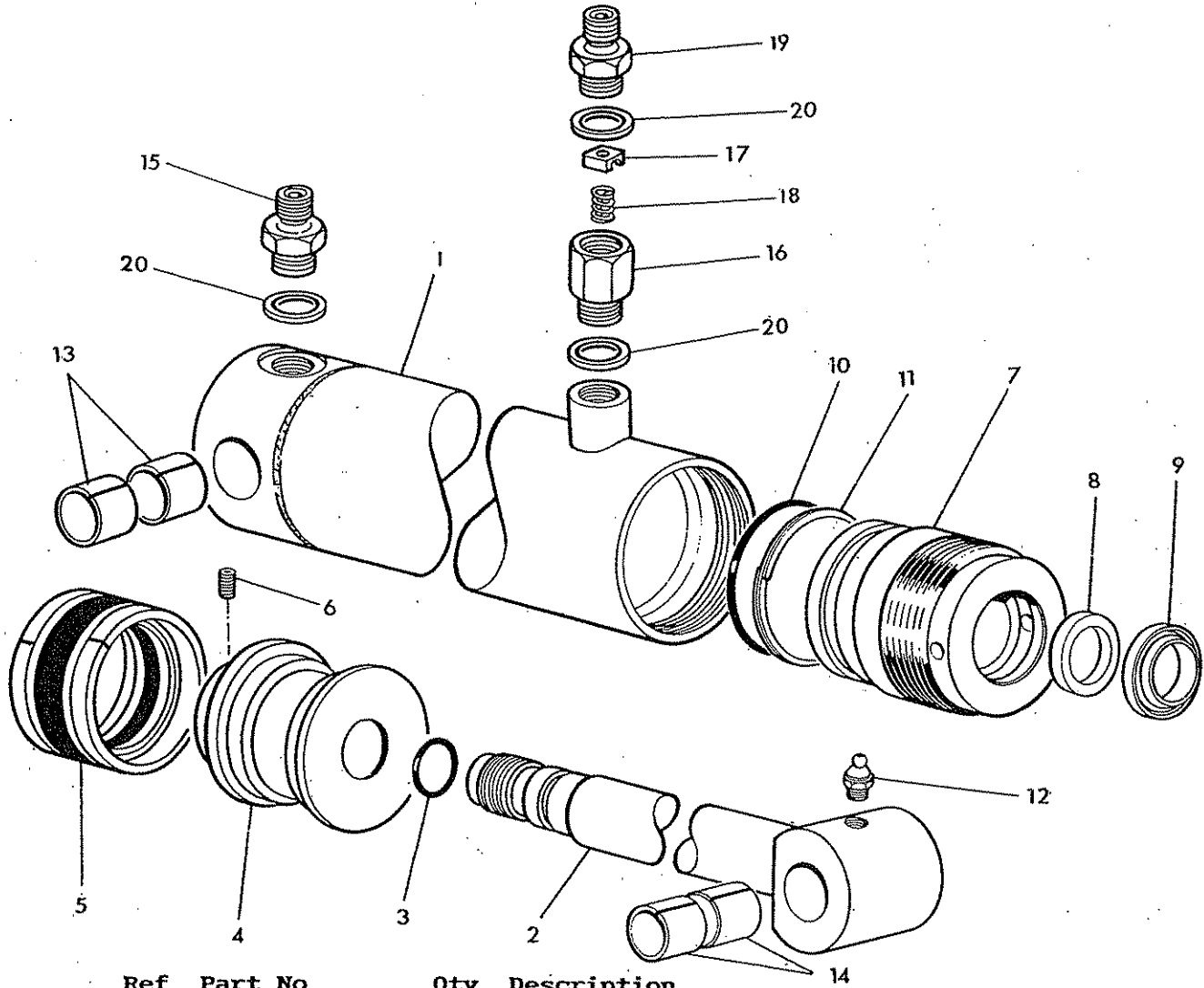
86 99 251

SEAL KIT

# SLEW RAM



# McDONNELL



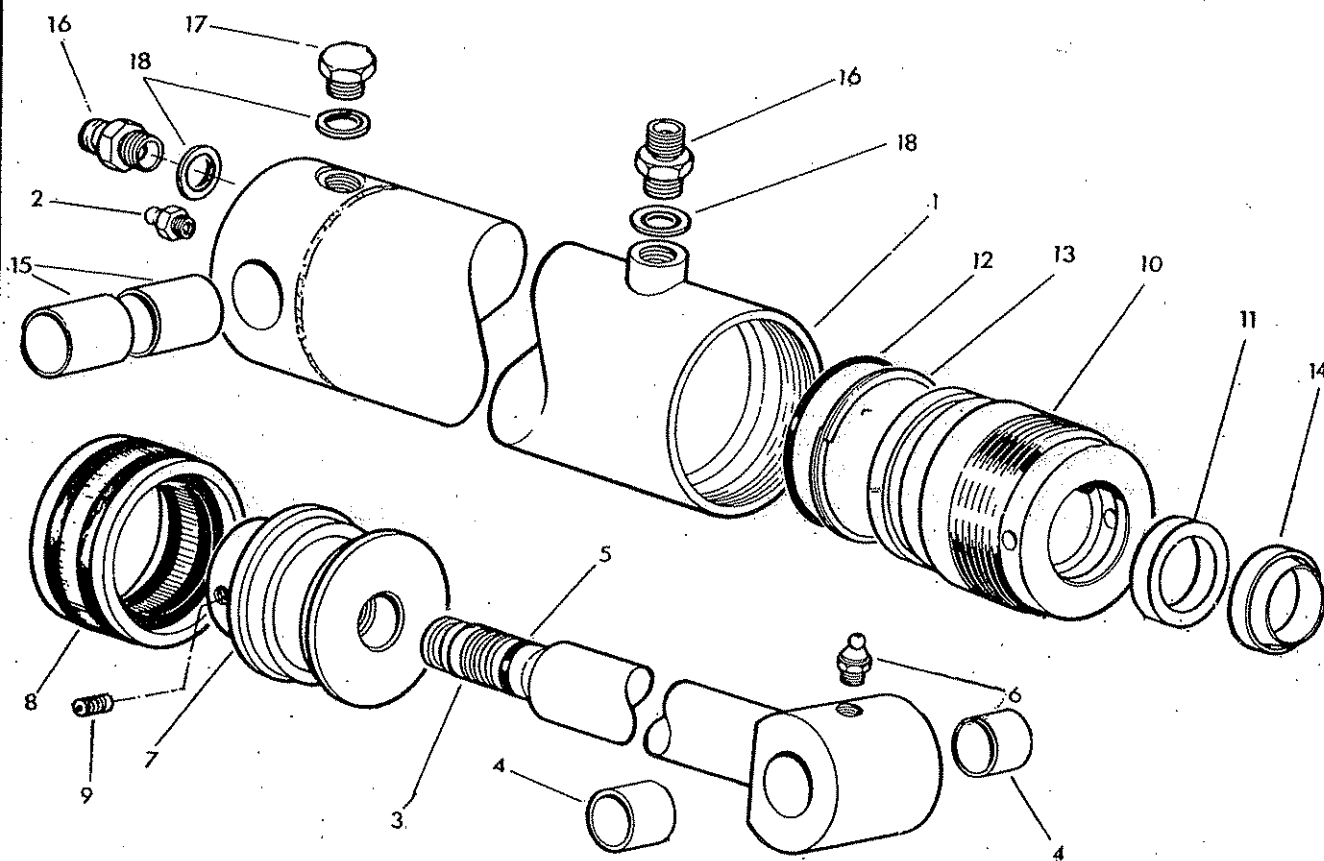
Ref	Part No	Qty	Description
	<b>41565.03</b>		<b>SLEW RAM ASSEMBLY</b>
1	41565.31	1	Cylinder
2*	41565.33	1	Rod
3	86 00 119	1	'O' ring
4*	71 35 004	1	Piston
5	86 38 740	1	Piston seal
6*	93 63 023	1	Grubscrew socket head
7	71 35 282	1	Gland housing
8	86 29 164	1	Gland seal
9	86 29 147	1	Wiper seal
10	87 00 740	1	'O' ring
11	87 09 740	1	Anti extrusion ring
12	09 01 121	1	Greaser
13	71 01 134	2	Bush - cylinder
14	60 12 032	2	Bush - rod
15	85 81 145	1	Adaptor
16	85 81 208	1	Restrictor body
17	81 23 041	1	Restrictor disc - red
18	81 16 011	1	Spring
19	85 81 145	1	Adaptor
20	86 50 103	3	Bonded seal

## 86 99 187

## SEAL KIT

### \* Assembly note:

Assemble piston onto rod using 'Permabond A113' or similar medium strength thread locking compound. Tighten grubscrew firmly and centre punch.



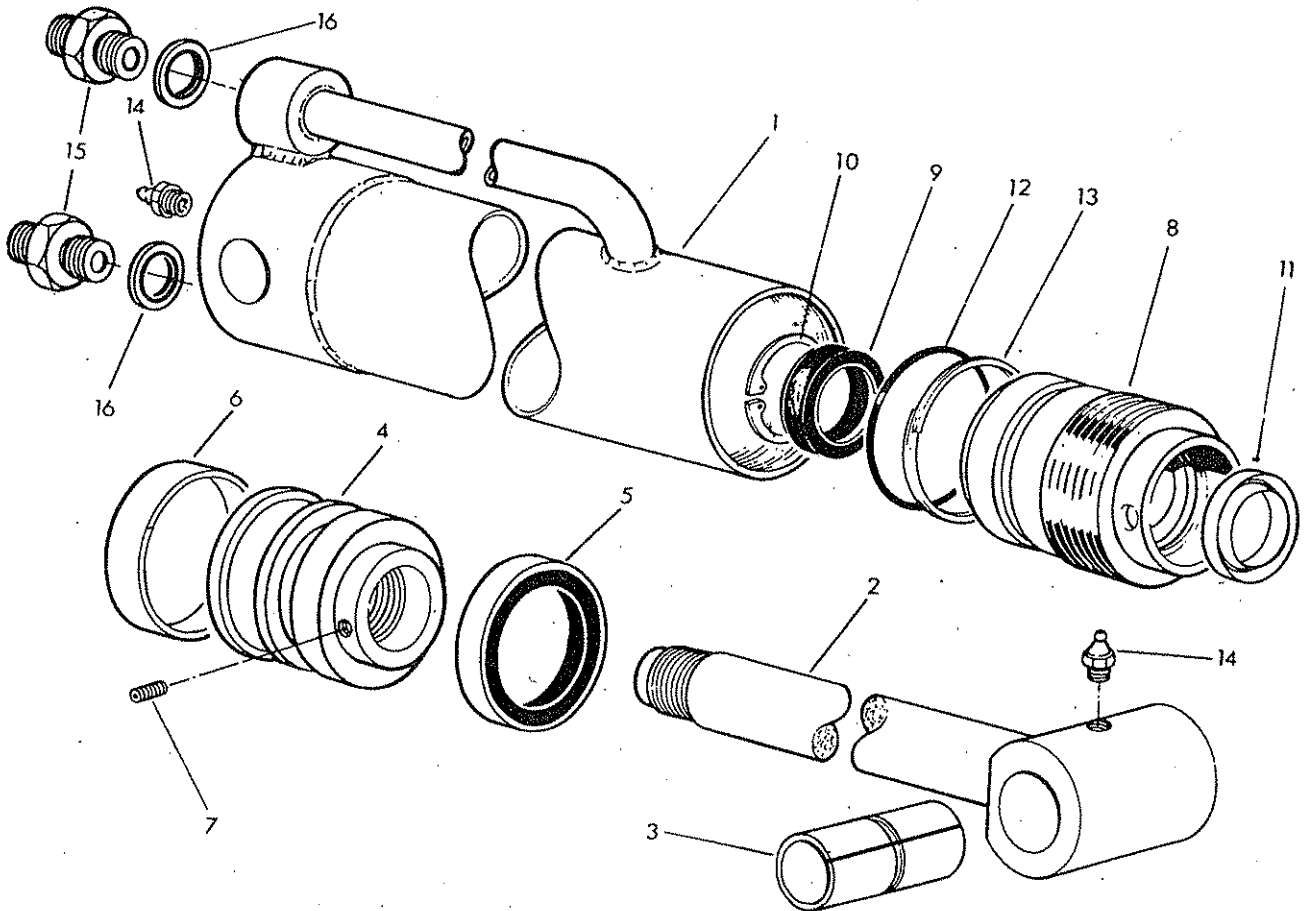
Ref.	Part No.	Qty.	Description
	<b>71 93 334</b>		<b>REACH RAM ASSEMBLY</b>
1	71 35 283	1	Ram cylinder
2	09 01 121	1	Greaser - straight
3	71 93 029	1	Piston rod
4	60 12 032	2	Bush
5	86 00 119	1	'O' ring
6	09 01 121	1	Greaser - straight
7	71 35 004	1	Piston c/w seal and grub screw
8	86 38 740	1	Piston seal
9	93 63 023	1	Grub screw socket headed
10	71 35 282	1	Gland housing
11	86 29 164	1	Gland seal
12	87 00 740	1	'O' ring
13	87 09 740	1	Anti extrusion ring
14	86 29 147	1	Wiper
15	71 01 134	2	Bush - ram base
16	85 81 115	2	Union
17	80 03 001	1	Plug
18	86 50 103	3	Bonded seal
	<b>86 99 187</b>		<b>SEAL KIT</b>

Assembly note Fully tighten item 9 and centre pop edge of hole to retian.

**ANGLING RAM**



**McCormick**



Ref.	Part No.	Qty.	Description
	<b>75 60 344</b>		<b>ANGLING RAM ASSEMBLY</b>
1	71 35 292	1	Cylinder
2	71 35 009	1	Rod
3	71 05 050	1	Bush
4	75 60 095	1	Piston
5	86 29 187	1	Piston seal
6	86 29 188	1	Bearing ring
7*	93 63 023	1	Grub screw socket head
8	71 35 291	1	Gland housing
9	86 29 148	1	Gland seal
10	04 16 240	1	Internal circlip
11	86 29 149	1	Wiper seal
12	86 00 302	1	'O' ring
13	86 09 302	1	Anti extrusion ring
14	09 01 121	2	Greaser
15	85 81 169	2	Union
16	86 50 102	2	Bonded seal
	<b>86 99 188</b>		<b>SEAL KIT</b>

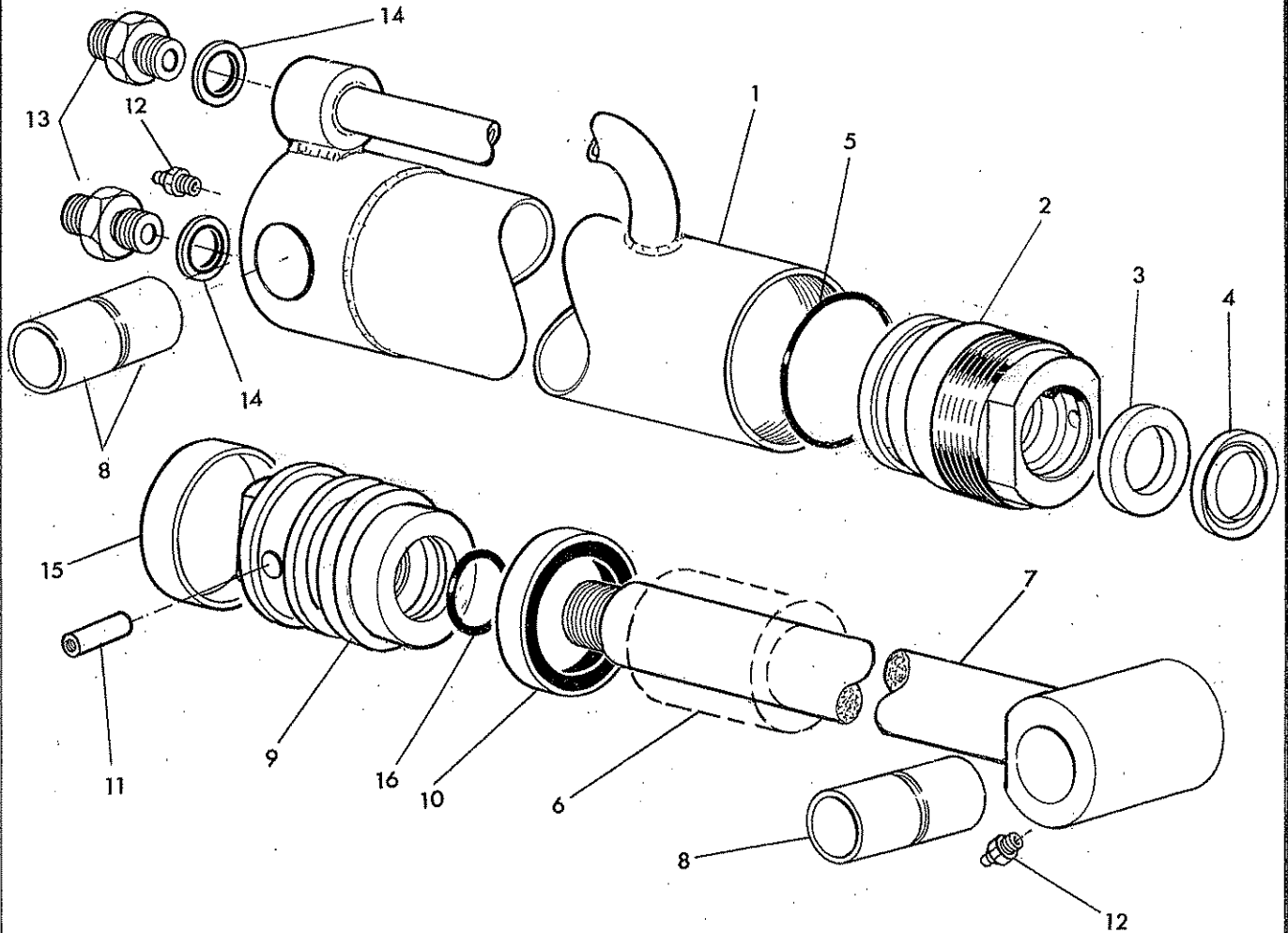
**\*Assembly note**

Tighten fully and centre punch edge of hole to secure.

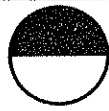
**FOLD RAM**



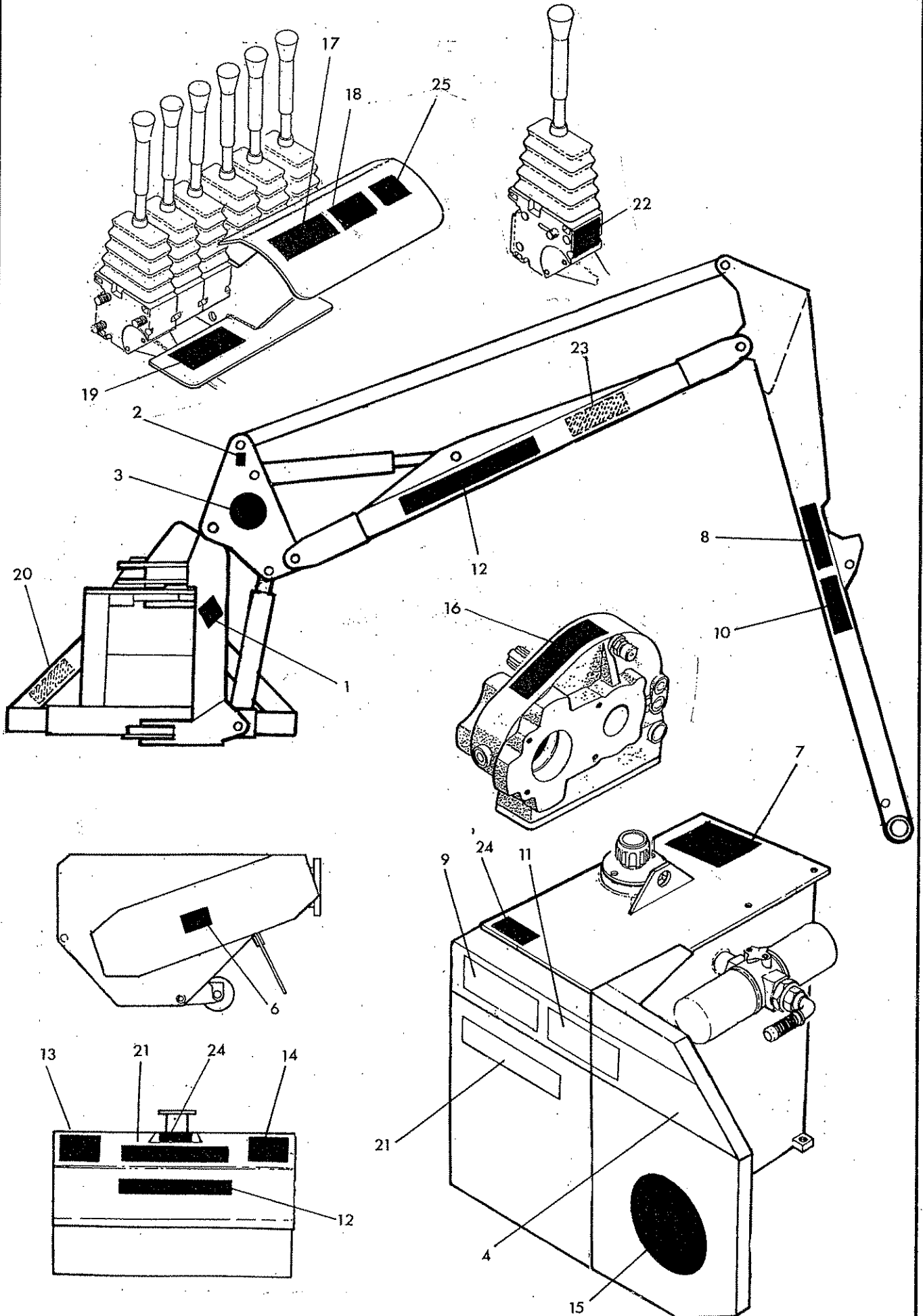
**McCORMEL**

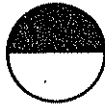


Ref	Part No.	Qty	Description
	<b>42664.05</b>		<b>FOLD RAM ASSEMBLY</b>
1	42664.42	1	Ram barrel
2	42664.32	1	Gland housing
3	86 29 222	1	Gland seal
4	86 29 147	1	Piston rod wiper seal
5	86 00 306	1	'O' ring
6	42062.01	1	Spacer
7	42664.39	1	Piston rod
8	42654.01	4	Bush
9	42664.31	1	Piston
10	86 29 156	1	Piston seal
11	42775.01	1	Dowel
12	09 01 121	2	Greaser
13	85 81 115	2	Adaptor
14	86 50 103	2	Bonded seal
15	86 29 157	1	Guide ring
16	86 00 127	1	'O' ring
	<b>42664.01</b>		<b>SEAL KIT</b>



**McCONNEL**





Ref. Part No.	Qty.	Description
STICKERS - CABLE MACHINES		
1	71 05 130	1 Read book first
2	09-843-05	1 Sling here symbol on packing strap
3	12 90 296	1 Logo roundel
4	12 90 432	1 Tank stripe
5	12 90 352	1 Gen warning - despatched loose -not illus. in cab
6	12 90 065	1 Belt tension
7	12 90 476	1 Greasing
8	12 90 411	2 Mag - black
9	12 90 412	1 Mag - yellow
10	12 90 448	2 500 - black
11	12 90 449	1 500 - yellow
12	12 90 255	3 McConnell
13	12 90 377	1 Flailhead instructions
14	12 90 341	1 Flailhead guarding
15	12 90 365	1 McConnell roundel
16	12 90 089	1 Gearbox oil capacity
17	12 90 368	1 Lever controls - lift, reach & angle
18	12 90 357	1 Lever control - slew/auto reset
19	84 02 138	1 Slew warning
20	12 90 331	1 Check chains
21	12 90 435	2 Sticker
22	12 90 338	1 Rotor controls
23	12 90 450	1 Breakaway warning
24	12 90 500	2 52 hp
25	12 90 084	1 Midcut control





## ***PAYEN IMPORT***

*Zae du Cèdre Briard,  
77320 BETON BAZOCHES,  
FRANCAIS  
Tél: 01 60 58 53 36  
Fax: 01 64 01 05 31*



## ***McCONNEL LIMITED***

*Temeside Works, Ludlow,  
Shropshire SY8 1JL. England.  
Tel: 01584 873131  
Fax: 01584 876463  
[www.mcconnel.com](http://www.mcconnel.com)*