

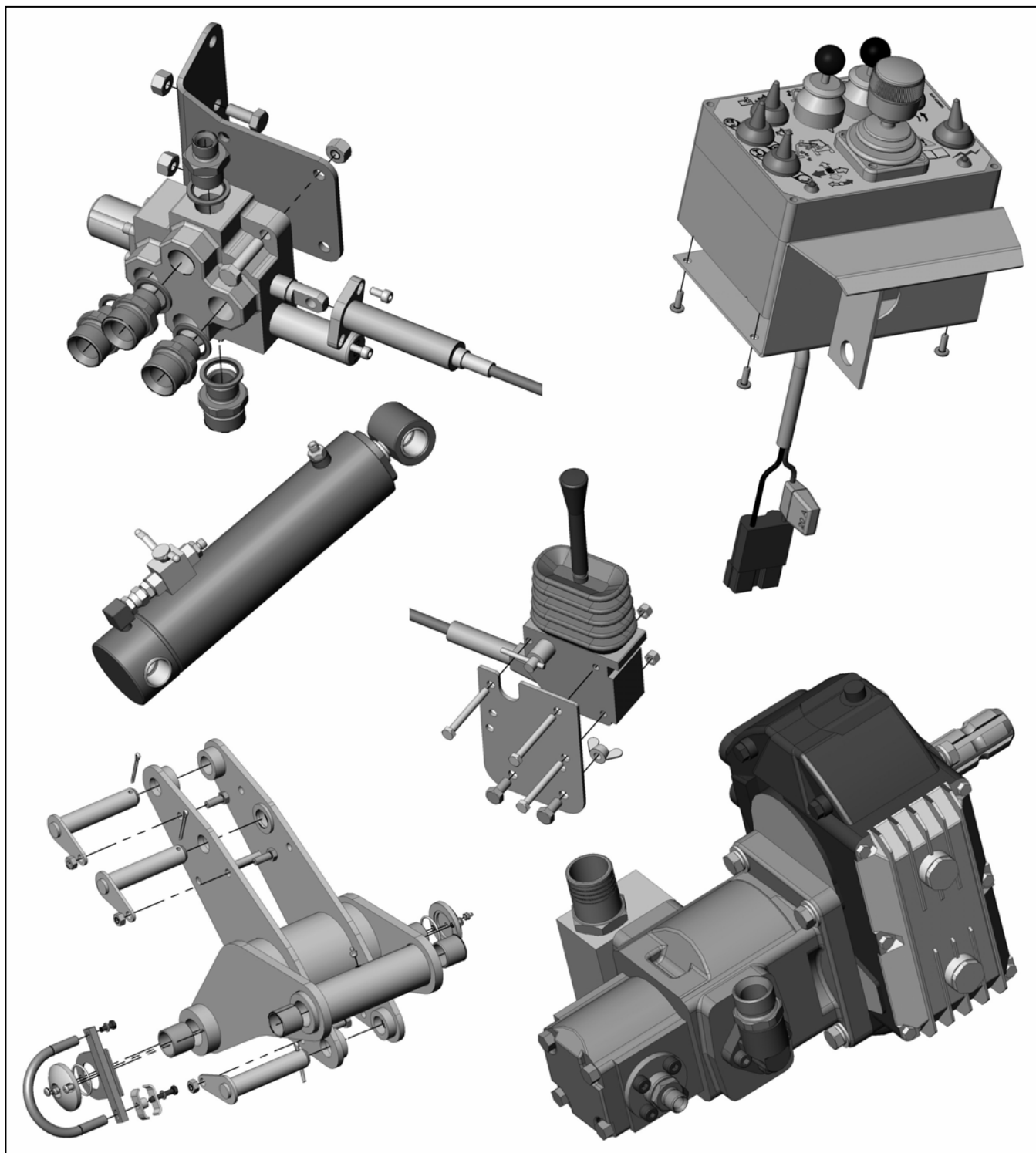
Publication 521
Juin 2007
No. de la pièce 41571.21
Révision: 03.07.08

MAG480

Marquez 4 Modèles



Manuel de Pièces de Rechange





Pour la meilleure exécution...

EMPLOYEZ SEULEMENT les PIÈCES D'ENTRETIEN VÉRITABLES de McCONNEL

*Être assuré des dernières améliorations de conception achetez le votre
remplacements véritables du fabricant de matériel.*

McCONNEL LIMITED

Par votre revendeur ou dépositaire local

Toujours citation :

- *Type de machine*
- *Numéro de série*
- *Numéro de la pièce*

*Les améliorations de conception peuvent changer certaines des pièces énumérées dans ce manuel –
la dernière partie sera toujours fournie quand elle est interchangeable avec plus tôt.*



CONTENTS

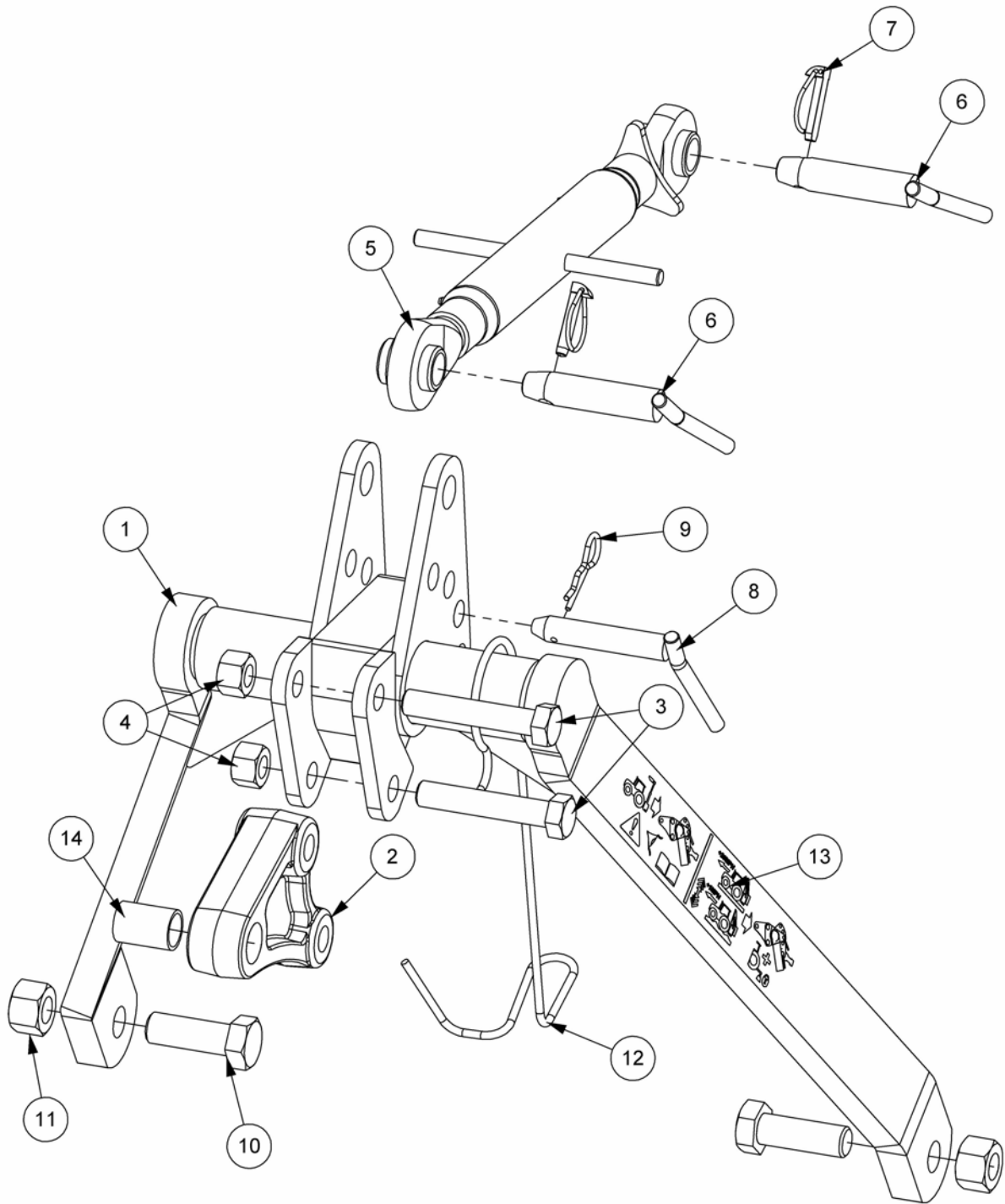
	<i>Page No.</i>
Stabilizer Assembly	1
Main Frame Assembly	3
Pillar Assembly	5
Rocker Assembly	7
Main Arm Assembly	9
Dipper Arm Assembly	11
Midcut Dipper Arm Assembly	13
Hydraulic Tank Assembly	15
Pump & Gearbox Assembly	17
Gearbox Assembly	19
Cable Rotor Control Valve Assembly	21
Electric Rotor Control Valve Assembly	23
Cable Controls & Cable Valve Assembly	25
Electric Control Valve Assembly	27
XTC Proportional Control Valve Assembly	29
Proportional Control Valve Assembly	31
Proportional Switchbox Controls	33
V3 Proportional Controls	35
Auxiliary Box for Proportional Controls	37
Control Mounting Kits	38
Hydraulic Installations	39
Lift Ram Assembly	40
Reach Ram Assembly	41
Angling Ram Assembly	42
Slew Ram Assembly	43
Lift Float Kit	45
Hose Installation – <i>Cable Models</i>	47
Hose Installation – <i>Electric Models</i>	49
Sensor Kits – <i>PTO & Power Monitor</i>	51
Cooler Kit Assemblies	52
Covers Assembly – <i>Non Cooler Models</i>	55
Covers Assembly – <i>Cooler Models</i>	57
Rear Lighting Kit	59
Flailhead Assembly – <i>1.2m Direct Drive</i>	61
Flailhead Assembly – <i>1.2m Belt Drive</i>	65
Rotors & Flails	69
Roller Assemblies	71

Model: MAG480 Mk4



STABILIZER ASSEMBLY

Module:
7499631





STABILIZER ASSEMBLY

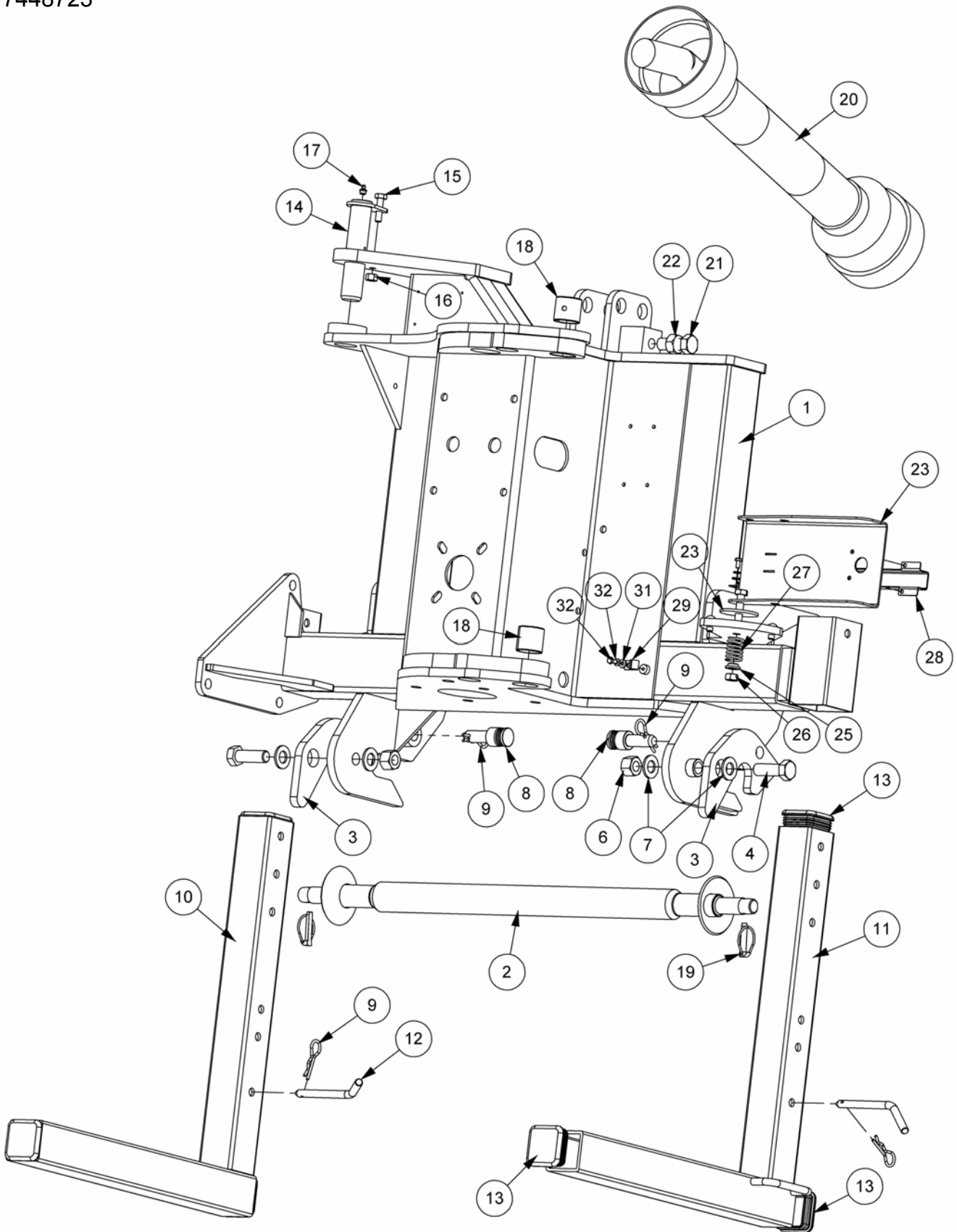
REF.	QTY.	PART No.	DESCRIPTION
		7499631	STABILIZER ASSEMBLY
1	1	41205.10	STABILIZER
2	1	7499506C	STABIZER TONGUE - CAT.3
3	2	9213228	BOLT
4	2	9143008	SELF-LOCKING NUT
5	1	21370.01	TOP LINK ASSEMBLY
6	2	43342.01	TOP LINK PIN
7	2	0431217	LINCH PIN
8	1	45784.01	QUADRANT PIN
9	1	0431105	SPRING COTTER
10	2	9213149	BOLT
11	2	9143009	SELF-LOCKING NUT
12	1	21160.03	PTO HOOK
13	1	1290630	INSTRUCTION DECAL
14	1	21883.01	SLEEVE - CAT.2 TO CAT.3

Model: MAG480 Mk4



MAIN FRAME ASSEMBLY

Module:
7448723



MAIN FRAME ASSEMBLY

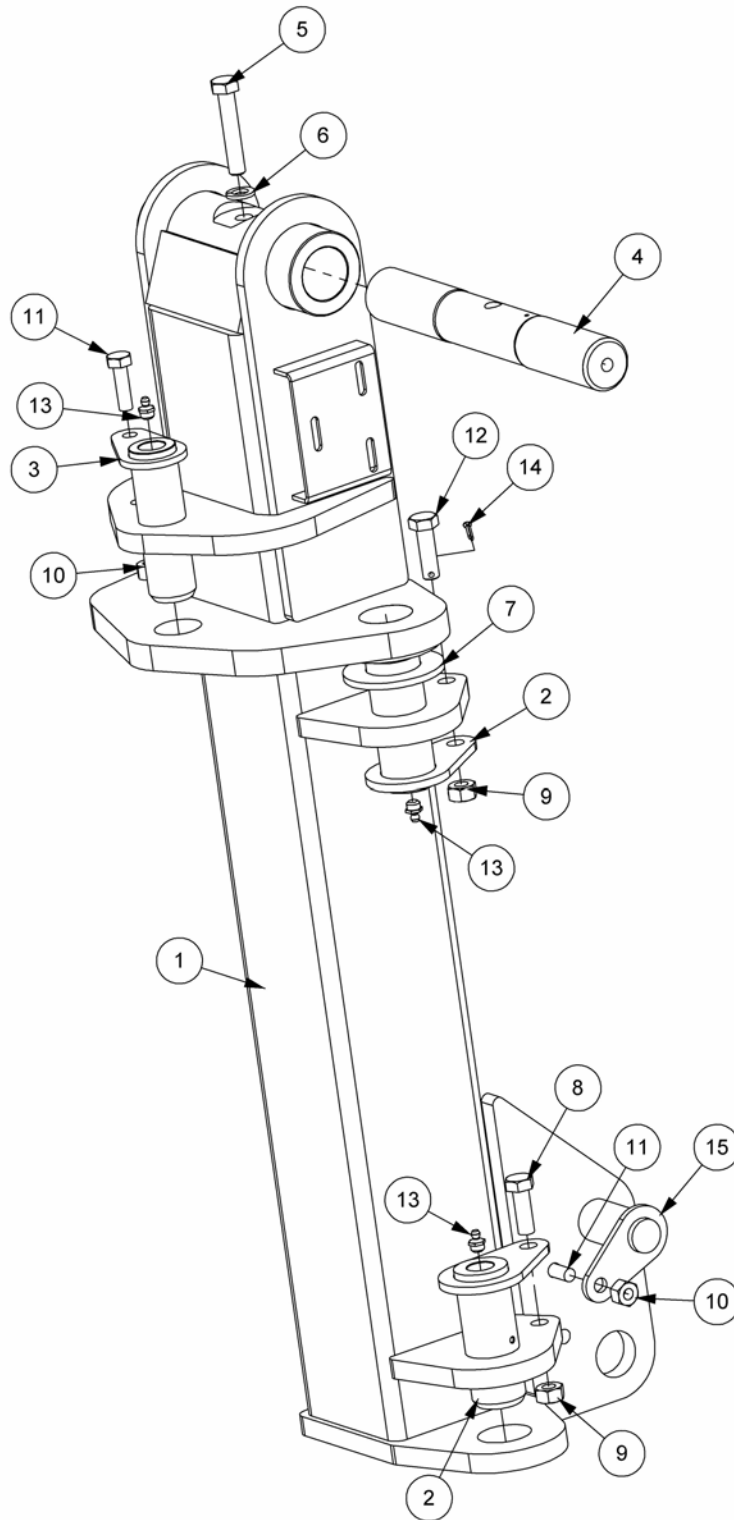
REF.	QTY.	PART NO.	DESCRIPTION
		7448723	MAIN FRAME ASSEMBLY
1	1	21272.14	MAIN FRAME
2	1	42333.02	HITCH BAR
3	2	42591.02	CATCH HOOK
4	2	9213128	BOLT
5	2	42801.01	SPACER SLEEVE
6	2	9143008	SELF-LOCKING NUT
7	4	9100108	FLAT WASHER
8	2	45369.01	LATCH LOCK PIN
9	4	0431105	SPRING COTTER
10	1	45293.01	STAND LEG - L/H
11	1	45293.02	STAND LEG - R/H
12	2	45297.01	LEG PIN
13	6	45210.01	PLASTIC PLUG
14	1	45202.08	PIN
15	1	9213085	BOLT
16	1	9143005	SELF-LOCKING NUT
17	1	0901121	GREASE NIPPLE
18	2	7115208	GLACIER BUSH
19	2	0431217	LINCH PIN
20	1	7136330	DRIVE SHAFT ASSEMBLY
21	1	9313118	SETSCREW
22	1	9113008	NUT
23	1	21283.08	LAMP BRACKET
24	1	9213126	BOLT
25	1	21757.01	SPRING LOCATOR
26	1	9143006	SELF-LOCKING NUT
27	1	8020178	COMPRESSION SPRING
28	1	21755.01	CABLE COVER
29	2	21151.01	D CLIP
30	2	9100203	SPRING WASHER
31	2	9100103	FLAT WASHER
32	2	9313023	SETSCREW

Model: MAG480 Mk4



PILLAR ASSEMBLY

Module:
7448724





PILLAR ASSEMBLY

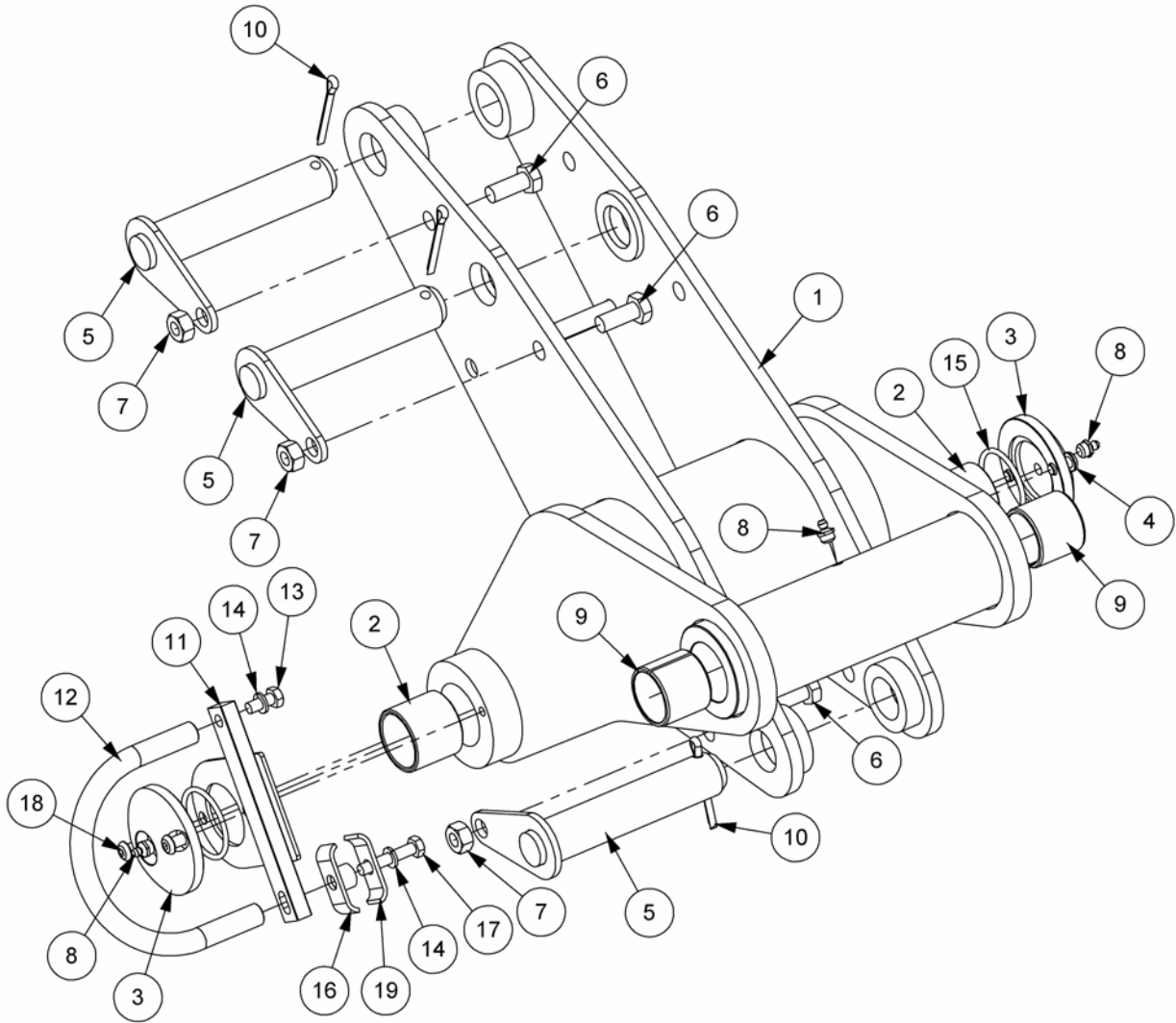
REF.	QTY.	PART NO.	DESCRIPTION
		7448724	PILLAR ASSEMBLY
1	1	45192.08	PILLAR
2	2	45271.01	SLEW PIVOT PIN
3	1	45202.04	SLEW ROD PIN
4	1	45264.01	MAIN PIVOT PIN
5	1	9213136	BOLT
6	1	9100206	SPRING WASHER
7	1	45298.01	THRUST WASHER
8	1	9313076	SETSCREW
9	2	9143006	SELF-LOCKING NUT
10	2	9143005	SELF-LOCKING NUT
11	2	9313075	SETSCREW
12	1	45416.01	SPECIAL SETCREW
13	3	0901121	GREASE NIPPLE
14	1	9501255	SPLIT PIN
15	1	41692.10	PIN

Model: MAG480 Mk4



ROCKER ASSEMBLY

Module:
7448706



ROCKER ASSEMBLY

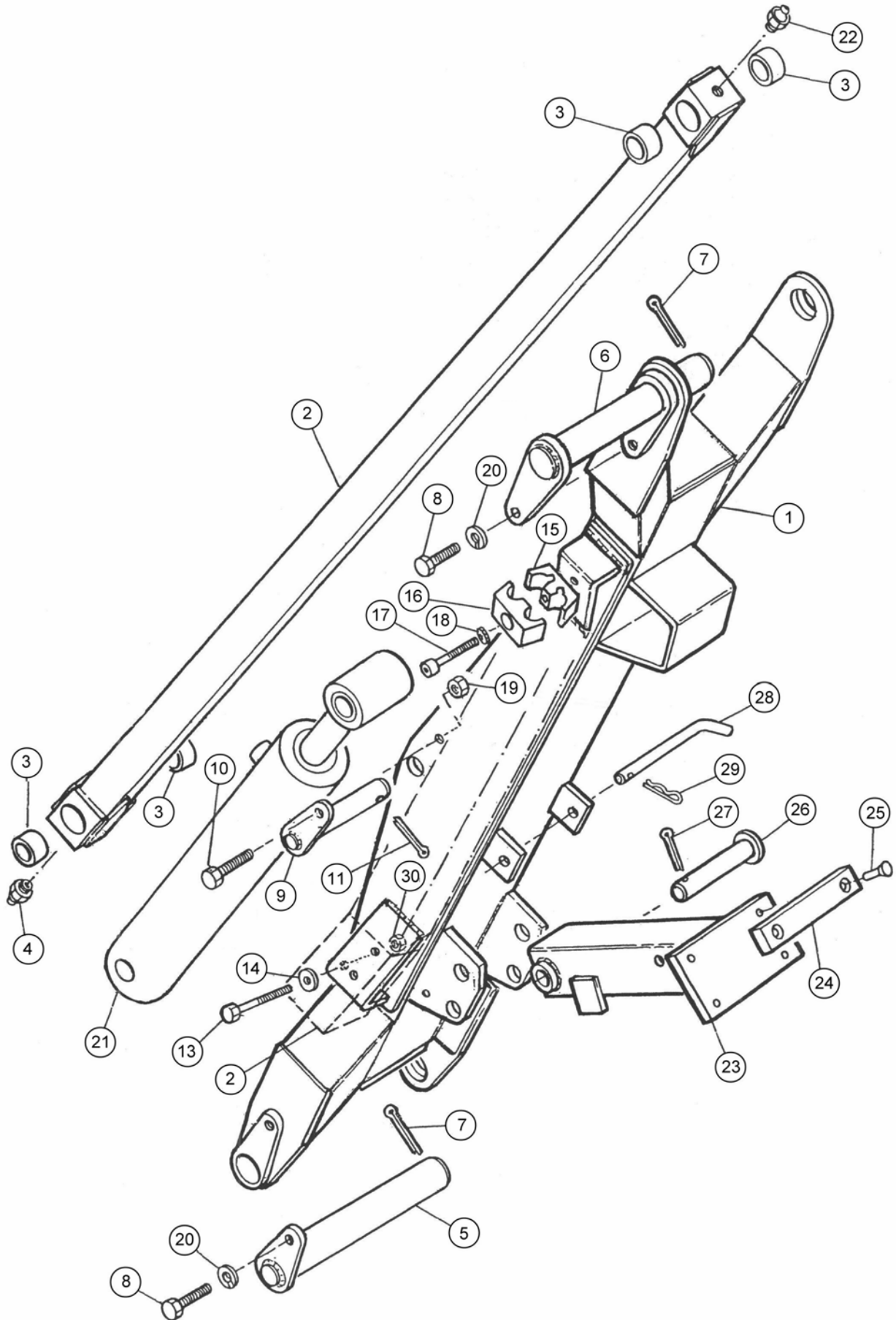
REF.	QTY.	PART NO.	DESCRIPTION
		7448706	ROCKER ASSEMBLY
1	1	45445.01	ROCKER
2	2	08.297.02	BUSH
3	2	45266.01	PIN CAP
4	2	9300159	SOCKET BUTTON SCREW
5	3	41694.03	PIN
6	3	9313066	SETSCREW
7	3	9143006	SELF-LOCKING NUT
8	3	0901121	GREASE NIPPLE
9	4	7213023	PLASTIC BUSH
10	3	9501507	SPLIT PIN
11	1	43048.06	RETAINING BRACKET
12	1	43048.05	HOOK
13	1	9313044	SETSCREW
14	2	9100204	SPRING WASHER
15	2	8600303	O RING
16	1	7114076	HOSE CLAMP - LOWER
17	1	9313094	SETSCREW
18	2	9300161	SOCKET BUTTON SCREW
19	1	7191104	HOSE CLAMP - UPPER

Model: MAG480 Mk4



MAIN ARM ASSEMBLY

Module:
7459624



MAIN ARM ASSEMBLY

REF.	QTY.	PART NO.	DESCRIPTION
		7459624	MAIN ARM ASSEMBLY - Standard Models
		7450765	MAIN ARM ASSEMBLY - Midcut Models
1	1	41597.06	MAIN ARM
2	1	41662.02	TENSION LINK
3	4	6012032	BUSH
4	1	0901121	GREASER - STRAIGHT
5	1	41686.01	PIVOT PIN - MAIN ARM
6	1	41687.01	PIVOT PIN - DIPPER ARM
7	2	9501509	SPLIT PIN
8	2	9313087	SETSCREW
9	1	41688.01	PIVOT PIN - REACH RAM ROD
10	1	9313076	SETSCREW
11	1	0503166	SPLIT PIN
12	1	41665.02	HOSE GUARD
13	2	9213185	BOLT
14	2	9100205	PLAIN WASHER
15	2	06.430.19	HOSE CLAMP - LOWER
16	1	42024.06	HOSE CLAMP - UPPER (1 PAIR)
17	2	9243154	CAPSCREW
18	2	9100404	SHAKEPROOF WASHER
19	1	9143006	SELF LOCKING NUT
20	2	9100207	SPRING WASHER
21	1	7193334	REACH RAM
22	1	0901124	GREASER - 67°
23	1	43021.01	* TRANSPORT PROP
24	2	43091.03	* PAD
25	4	9353053	* COUNTERSUNK BOLT
26	1	43023.01	* PIN - PROP PIVOT
27	1	9501406	* SPLIT PIN
28	1	43020.01	* PIN - PROP STOWAGE
29	1	431105	* SPRING COTTER
30	3	9143005	SELF LOCKING NUT

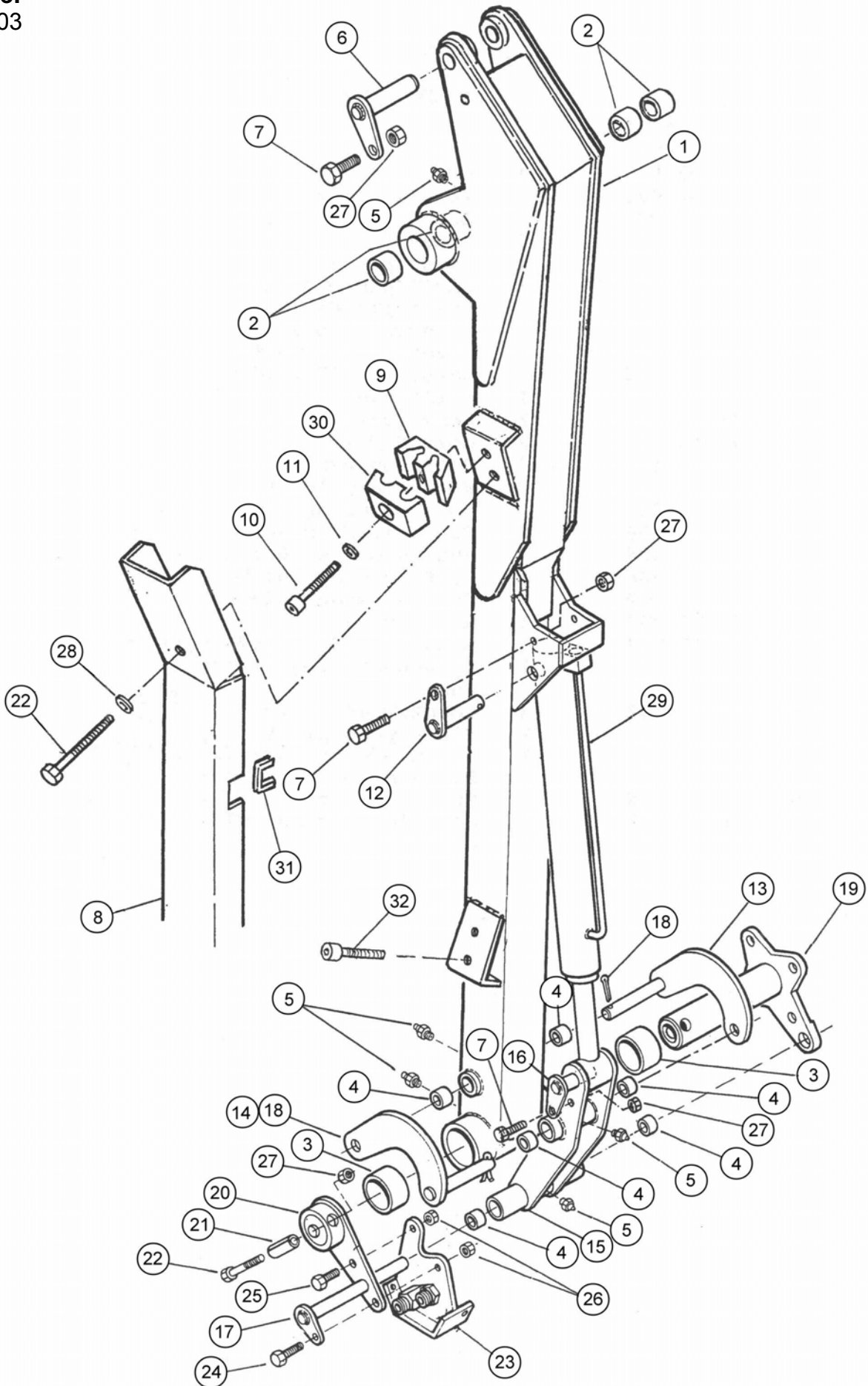
* Standard Arm Models Only

Model: MAG480 Mk4



DIPPER ARM ASSEMBLY

Module:
7450603



DIPPER ARM ASSEMBLY

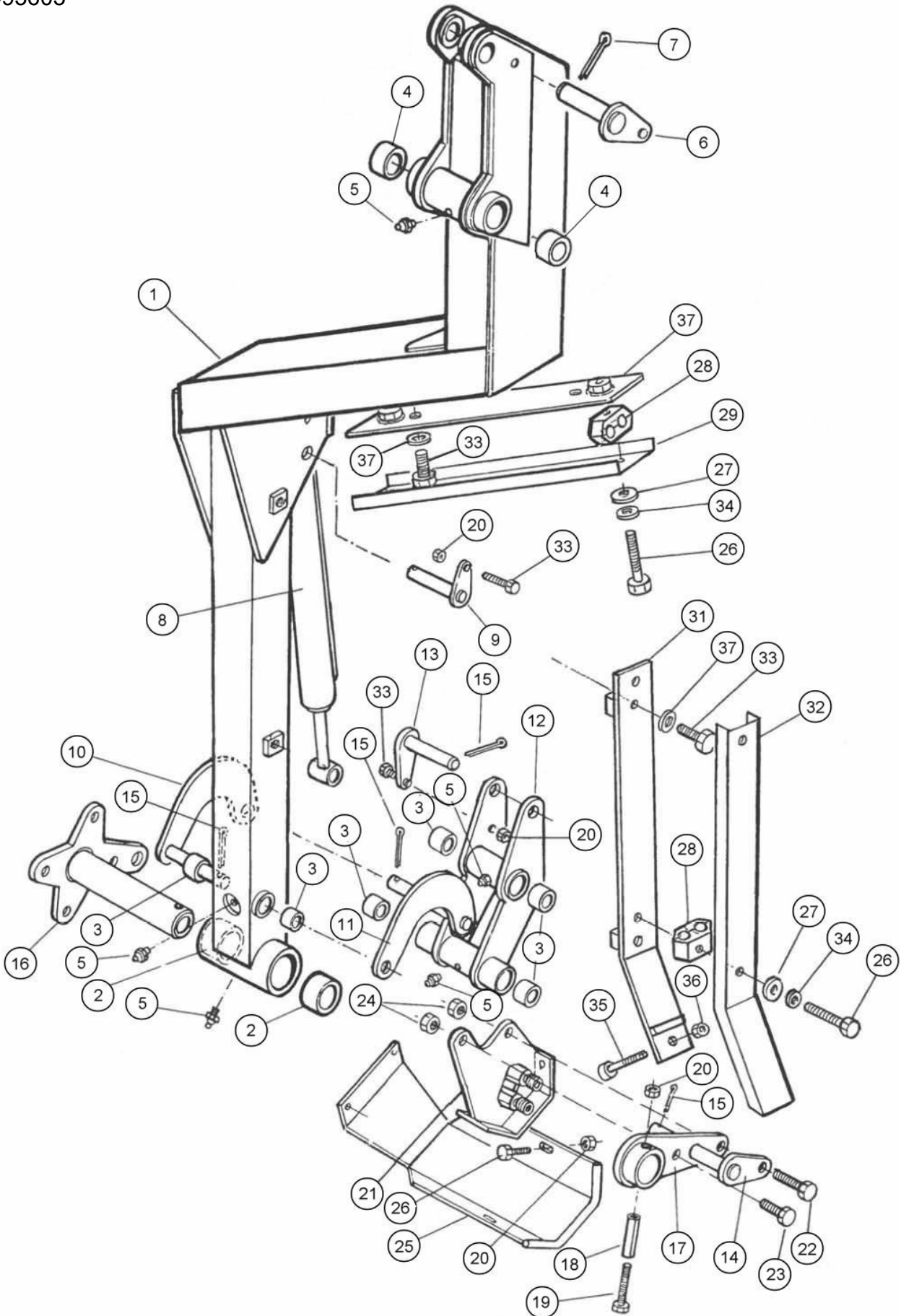
REF.	QTY.	PART NO.	DESCRIPTION
		7450603	DIPPER ARM ASSEMBLY
1	1	41649.01	DIPPER ARM
2	4	7213023	BUSH - DIPPER PIVOT
3	2	7136035	NYLON HEAD BUSH
4	6	41690.01	BUSH
5	5	0901121	GREASER - STRAIGHT
6	1	41692.01	PIN - TENSION LINK
7	4	9313065	SETSCREW
8	1	41665.03	HOSE GUARD
9	1	06.430.19	HOSE CLAMP - LOWER
10	1	9243154	CAPSCREW
11	2	9100404	SHAKEPROOF WASHER
12	1	41691.01	PIN - ANGLE RAM BASE
13	1	7450251	RADIUS ARM - FRONT
14	1	7450250	RADIUS ARM - REAR
15	1	7450252	SLAVE LINK
16	1	41693.01	PIN - ANGLE RAM ROD
17	1	7192009	PIN - SLAVE LINK
18	4	9501406	SPLIT PIN
19	1	7192308	HEAD PIVOT TUBE
20	1	7192316	JAW PLATE
21	1	0423548	SPRING DOWEL
22	3	9213185	BOLT
23	1	7195303	HOSE JUNCTION BRACKET
24	1	0211146	BOLT
25	1	0211126	BOLT
26	2	0141006	SELF LOCKING NUT
27	4	9143005	SELF LOCKING NUT
28	2	9100105	PLAIN WASHER
29	1	7560344	ANGLING RAM
30	1	7193065	HOSE CLAMP - UPPER
31	1	41741.01	RUBBER EDGE STRIP
32	1	9243124	CAPSCREW

Model: MAG480 Mk4

MIDCUT DIPPER ARM ASSEMBLY



Module:
7493603



MIDCUT DIPPER ARM ASSEMBLY

REF.	QTY.	PART NO.	DESCRIPTION
		7493603	MIDCUT DIPPER ARM ASSEMBLY
1	1	7193345	DIPPER ARM
2	2	7136035	BUSH - HEAD PIVOT
3	6	41690.01	BUSH - RADIUS ARM PIVOT AND SLAVE LINK
4	2	7213023	BUSH - DIPPER PIVOT
5	5	0901121	GREASER
6	1	7193025	PIVOT PIN - TENSION LINK
7	1	0503166	SPLIT PIN
8	1	7560344	ANGLE RAM ASSEMBLY
9	1	7193044	PIVOT PIN - ANGLE RAM BASE
10	1	7450251	RADIUS ARM - FRONT
11	1	7450250	RADIUS ARM - REAR
12	1	7450252	SLAVE LINK
13	1	41693.01	PIVOT PIN - ANGLE RAM ROD
14	1	7192009	PIVOT PIN - SLAVE LINK
15	4	9501406	SPLIT PIN
16	1	7192308	HEAD PIVOT TUBE
17	1	7192316	JAW PLATE
18	1	0423548	SPRING DOWEL
19	1	9213185	BOLT
20	3	9143005	SELF LOCKING NUT
21	1	7195303	HOSE JUNCTION BRACKET
22	1	0211146	BOLT
23	1	0211126	BOLT
24	2	0141006	SELF LOCKING NUT
25	1	7192324	HOSE TRAY - DIRECT DRIVE HEAD
	1	7290346	HOSE TRAY - BELT DRIVE HEAD
26	4	9213145	BOLT
27	4	9100205	SPRING WASHER
28	5	42024.06	HOSE CLAMP (PAIR)
29	1	7193047	HOSE COVER
30	4	9313045	BOLT
31	1	42951.01	HOSE GUIDE
32	1	7193048	HOSE COVER
33	1	9313055	SETSCREW
34	4	9100305	INTERNAL SERRATED WASHER
35	1	9243154	CAPSCREW
36	1	9143004	SELF LOCKING NUT
37	1	42952.01	HOSE GUIDE

Model: MAG480 Mk4



HYDRAULIC TANK ASSEMBLY

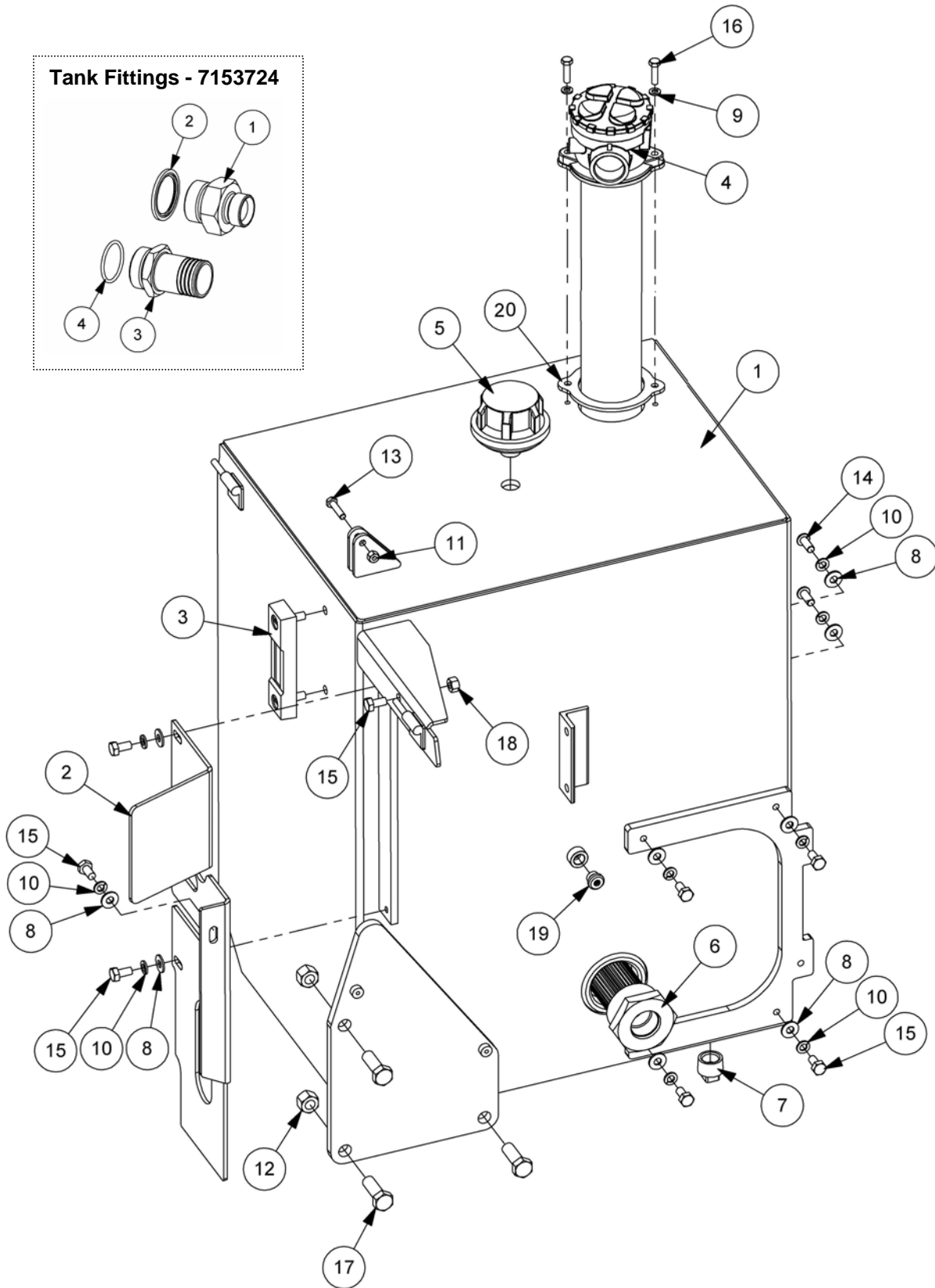
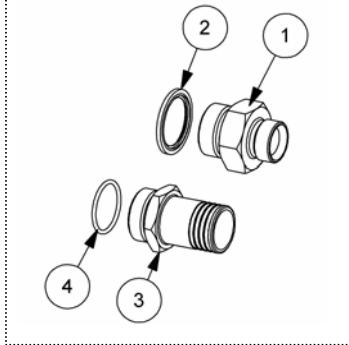
Modules:

7153700 – L/H Build

7153701 – R/H Build

Illustrated in Left Hand Build

Tank Fittings - 7153724



HYDRAULIC TANK ASSEMBLY

REF.	QTY.	PART No.	DESCRIPTION
		7153700	HYDRAULIC TANK ASSEMBLY - L/H Build
		7153701	HYDRAULIC TANK ASSEMBLY - R/H Build
1	1	21306.12	HYDRAULIC TANK - L/H Build
	1	21306.13	HYDRAULIC TANK - R/H Build
2	1	21314.01	SHIELD PLATE - L/H Build
	1	21314.02	SHIELD PLATE - R/H Build
3	1	8401048	LEVEL GAUGE
4	1	8401088	FILTER ASSEMBLY (INCLUDING ELEMENT)
5	1	8401090	BREATHER
6	1	8401091	STRAINER
7	1	8581203	TAPER PLUG
8	9	9100105	FLAT WASHER
9	2	9100204	SPRING WASHER
10	9	9100205	SPRING WASHER
11	1	9143004	SELF-LOCKING NUT
12	3	9143007	SELF-LOCKING NUT
13	1	9213074	BOLT
14	2	9300154	BUTTON HEAD SOCKET SCREW
15	8	9313045	SETSCREW
16	2	9313064	SETSCREW
17	3	9313097	SETSCREW
18	1	9143005	SELF-LOCKING NUT
19	1	8581436	PLUG - SOFT SEAL
20	1	212.013.06	FILTER SEAL

REF.	QTY.	PART No.	DESCRIPTION
		7153724	TANK FITTINGS MODULE
1	1	05.131.01	ADAPTOR
2	1	8650109	BONDED SEAL
3	1	8581260	ADAPTOR
4	1	8700784	O RING

Model: MAG480 Mk4



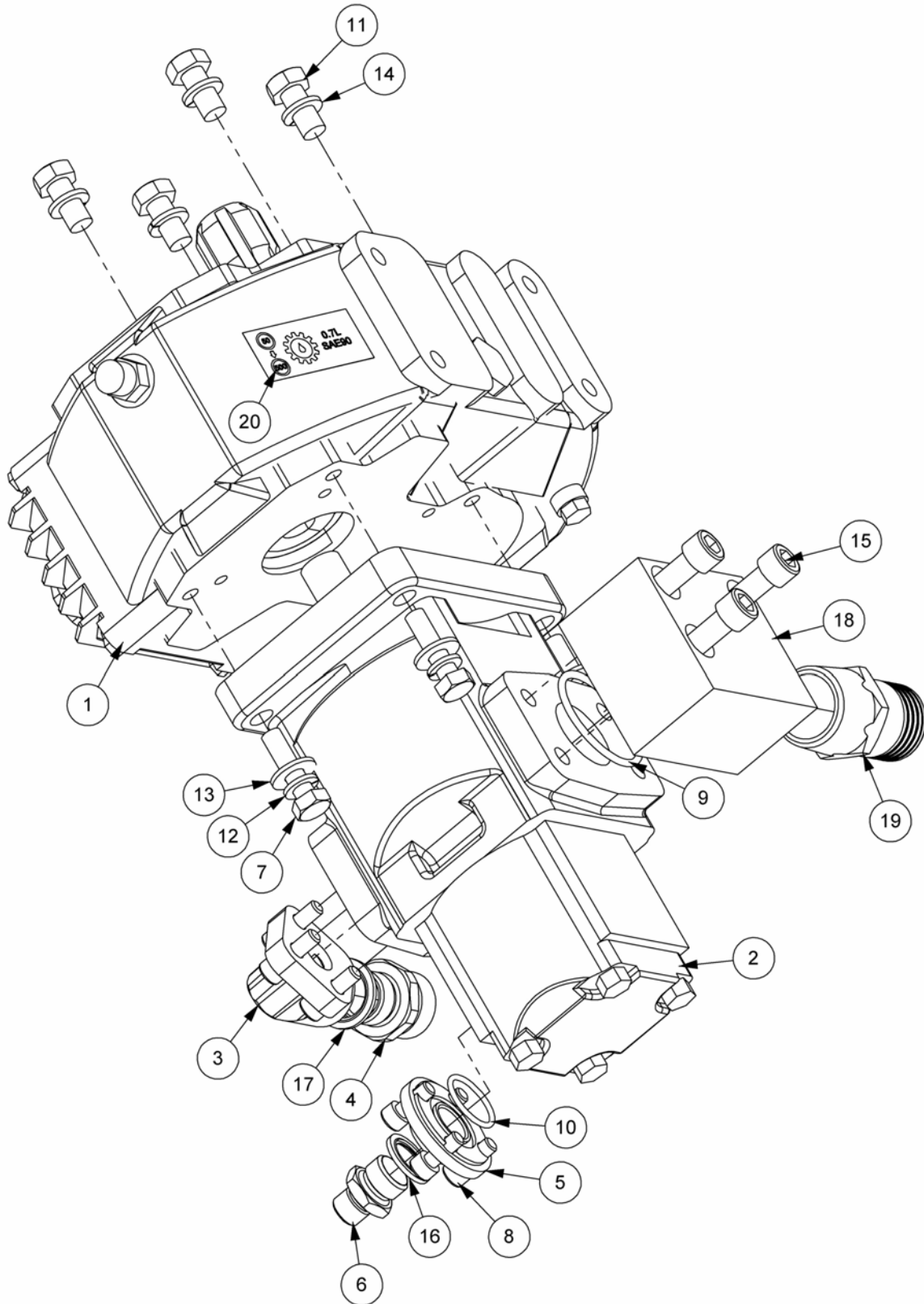
TI PUMP & GEARBOX ASSEMBLY

Modules:

7153738 – L/H Build

7153739 – R/H Build

Illustrated in Left Hand Build



TI PUMP & GEARBOX ASSEMBLY

REF.	QTY.	PART No.	DESCRIPTION
		7153738	TI PUMP & GEARBOX ASSEMBLY - L/H Build
		7153739	TI PUMP & GEARBOX ASSEMBLY - R/H Build
1	1	21931.01	CAST IRON GEARBOX 1:4.25 13T SPLINE
2	1	8201700	PUMP TI
3	1	8005052	PRESSURE CONNECTION KIT
4	1	8002086	ADAPTOR
5	1	42029.01	PORT PLATE
6	1	6000112	ADAPTOR
7	4	9313085	SETSCREW
8	4	9300147	CAPSCREW
9	1	8600304	O RING
10	1	8600405	O RING
11	4	9313056	SETSCREW
12	4	9100205	SPRING WASHER
13	4	9100105	FLAT WASHER
14	4	9100206	SPRING WASHER
15	3	9243126	CAPSCREW
16	1	8650104	BONDED SEAL
17	1	8650106	BONDED SEAL
18	1	42142.02	BLOCK - SUCTION TAPER
19	1	8581367	ADAPTOR
20	1	1290092	GEARBOX DECAL

NOTE:

L/H & R/H builds contain identical components and differ only in their assembled orientation

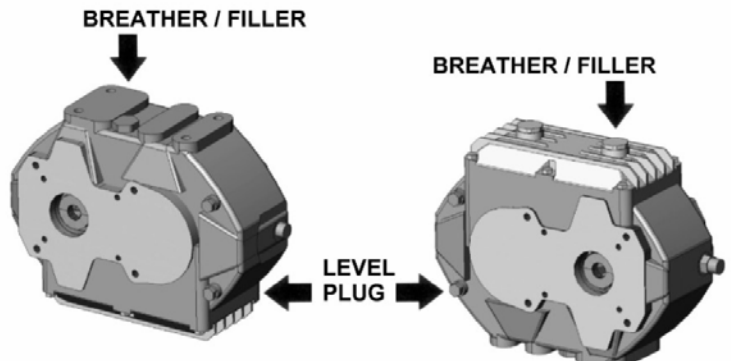
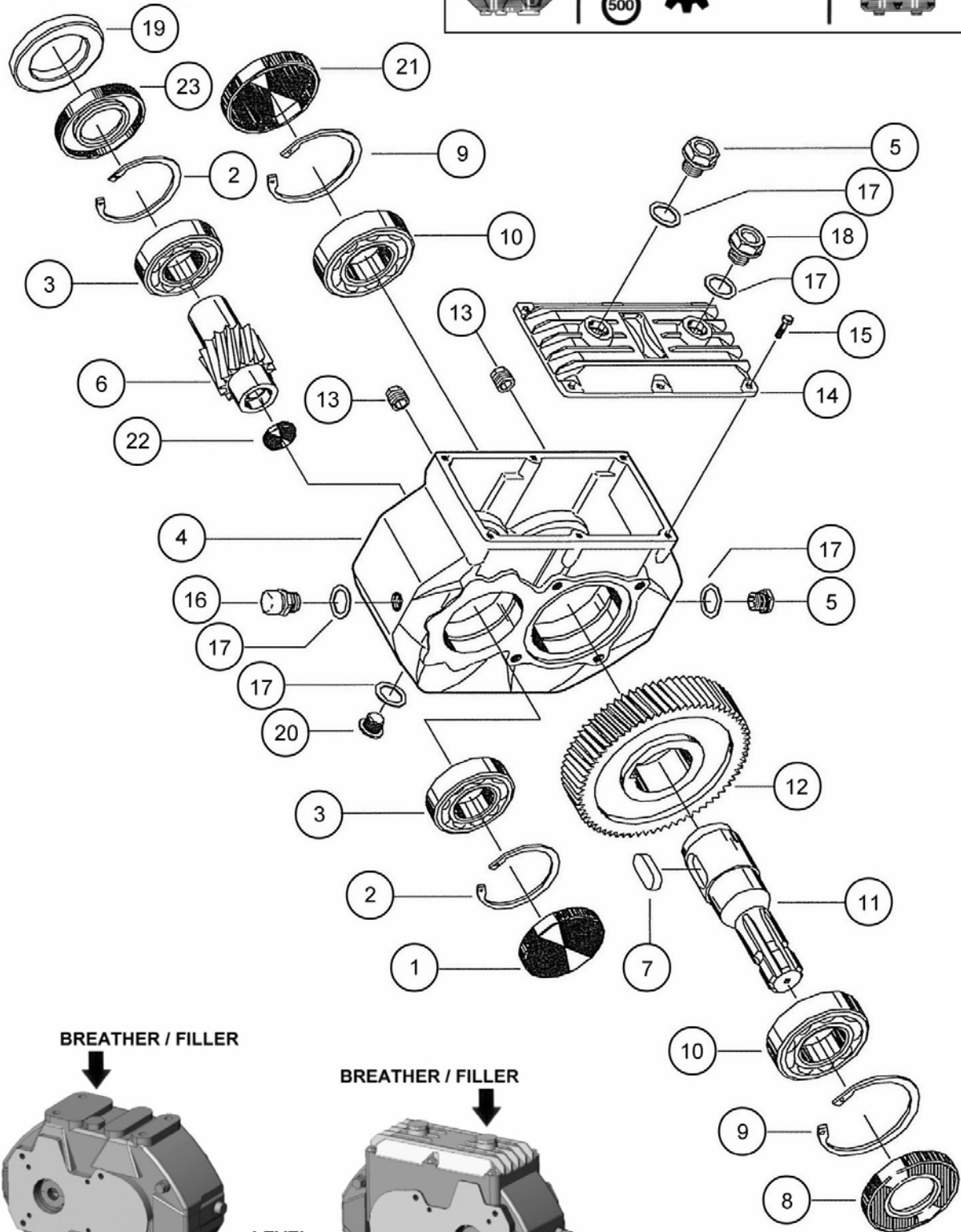
Model: MAG480 Mk4



GEARBOX ASSEMBLY

Modules:

21931.01 – Gearbox (Ratio 1:4.25) 13T



NOTE: Plug positions are dependent on gearbox orientation

GEARBOX ASSEMBLY

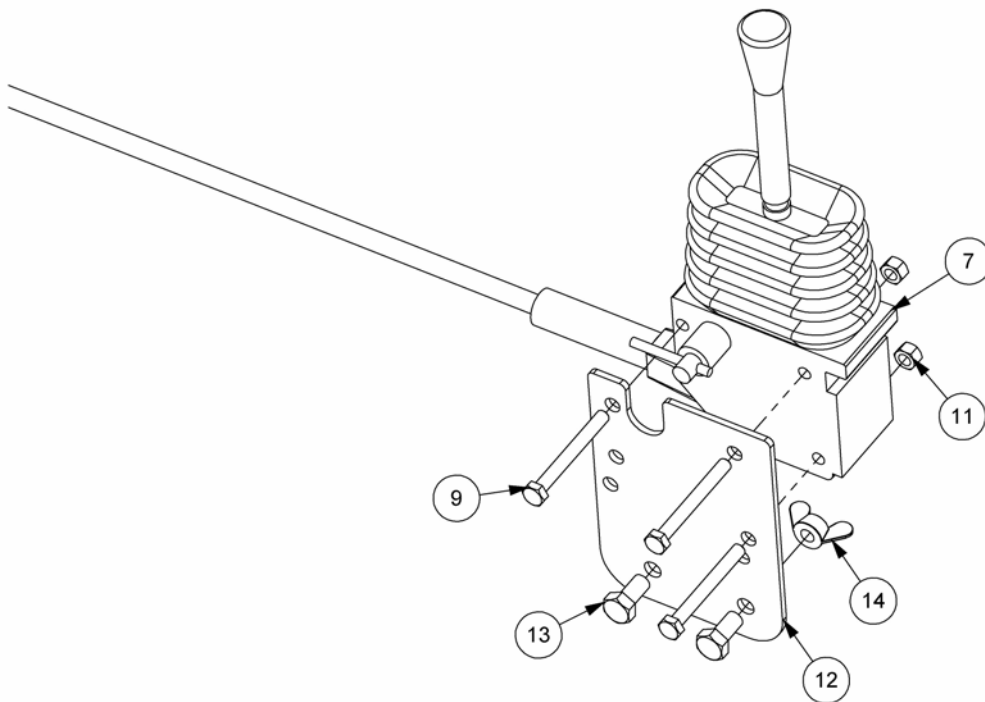
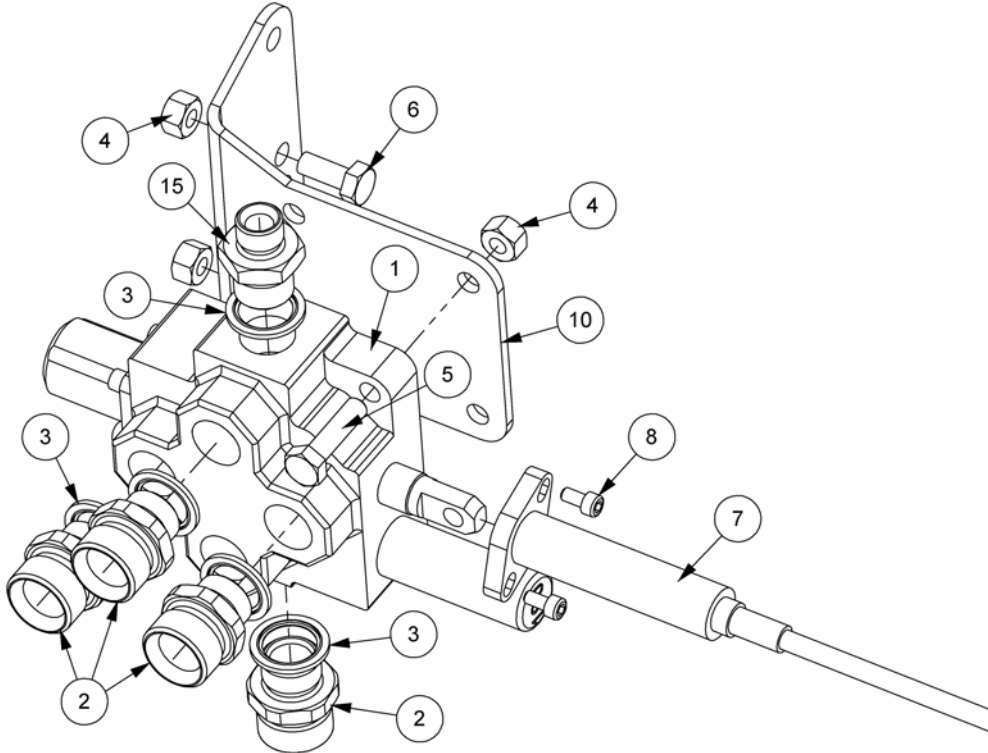
REF.	QTY.	PART No.	DESCRIPTION
		21931.01	GEARBOX ASSEMBLY (Cast Iron)
		<i>Specification:</i>	<i>Ratio 1:4.25 with 13 tooth spline</i>
1	1	8013530	CAP
2	2	8013529	INTERNAL CIRCLIP
3	2	8013528	BEARING
4	1	8013585	GEARBOX CASTING
5	2	8013533	DRAIN PLUG
6	1	8013575	SHAFT
7	1	8013586	DRIVESHAFT KEY
8	2	8013526	SHAFT SEAL
9	2	8013525	INTERNAL CIRCLIP
10	1	8013524	BEARING
11	1	8013522	INPUT SHAFT
12	1	8013587	PRIMARY GEAR
13	2	8013588	LEVEL PLUG
14	1	8013589	GEARBOX COVER
15	6	9313033	SCREW
16	1	8013590	OIL PLUG
17	5	8013591	SEALING WASHER
18	1	8013592	OIL PLUG
19	1	8013576	RING
20	1	8013593	OIL PLUG
21	1	8013527	CAP
22	1	8013594	OIL PLUG
23	1	8699264	GEARBOX SEAL

Model: MAG480 Mk4



CABLE RCV ASSEMBLY

Module:
7448725



CABLE RCV ASSEMBLY

REF.	QTY.	PART NO.	DESCRIPTION
		7448725	CABLE RCV ASSEMBLY - R/H Build
1	1	8125356	ROTOR CONTROL VALVE - R/H Build
2	4	8002086	ADAPTOR
3	5	8650106	BONDED SEAL
4	4	9143005	SELF-LOCKING NUT
5	2	9213085	BOLT
6	2	9313055	SETSCREW
7	1	8017065	ROTOR CONTROL HEAD & CABLE - 2.5m
8	2	9343023	CAPSCREW
9	3	9213113	BOLT
10	1	21354.01	BRACKET
11	3	9143003	SELF-LOCKING NUT
12	1	7650282	BRACKET (CONTROL CABLE)
13	2	9313034	SETSCREW
14	2	9193004	WING NUT
15	1	8581130	ADAPTOR

Model: MAG480 Mk4



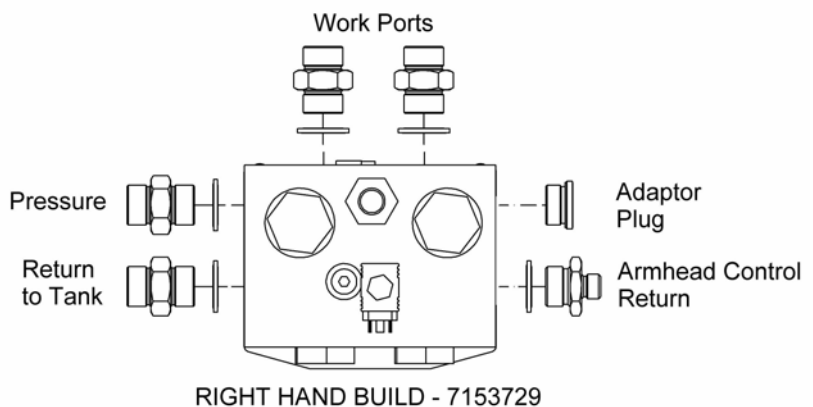
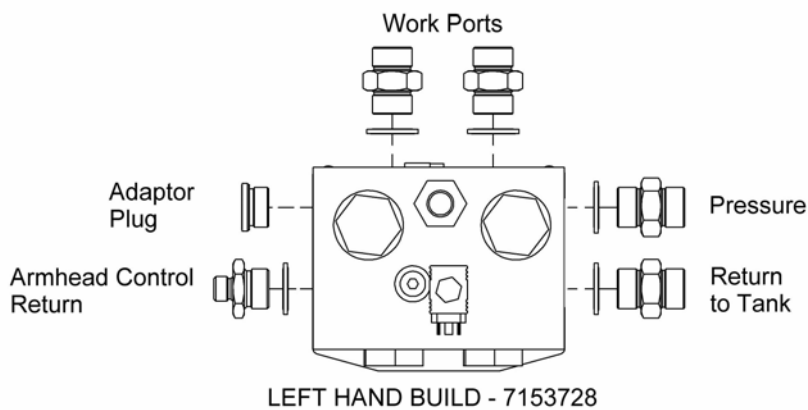
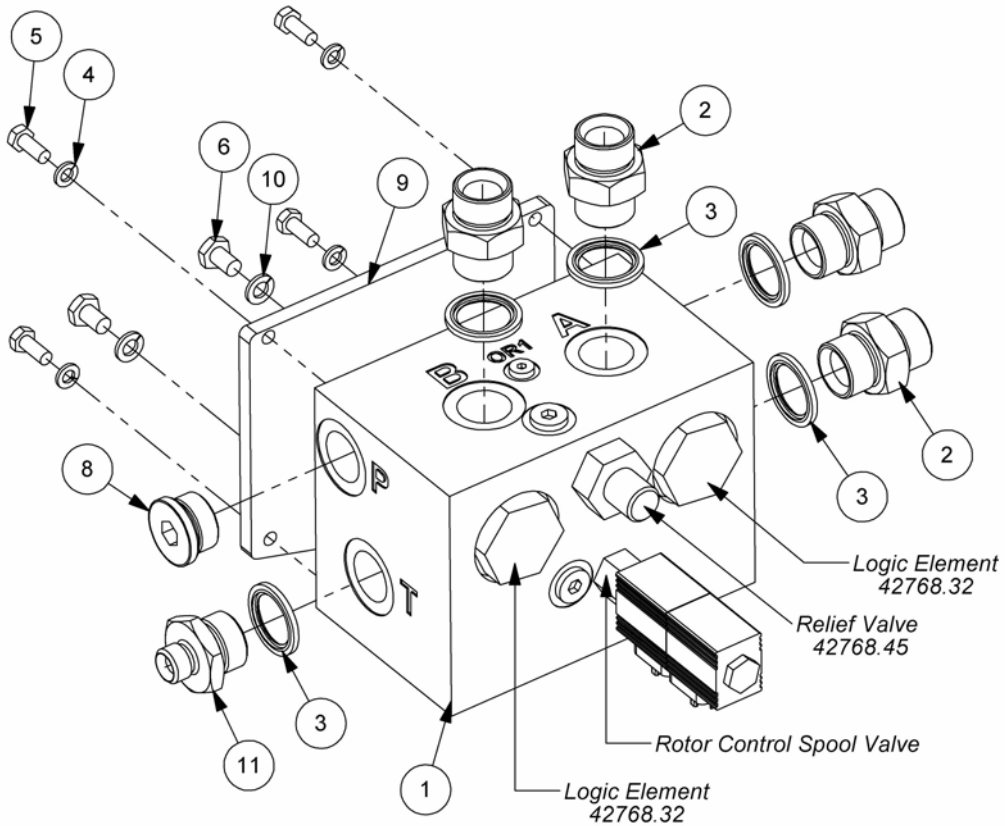
ELEC. RCV (Non Cooler Models)

Modules:

7153728 – L/H Build

7153729 – R/H Build

Illustrated in Left Hand Build



ELEC. RCV (Non Cooler Models)

REF.	QTY.	PART No.	DESCRIPTION
		7153728	ELECTRIC ROTOR CONTROL VALVE - L/H Build
		7153729	ELECTRIC ROTOR CONTROL VALVE - R/H Build
1	1	42768.01	ELECTRIC RCV
2	4	05.434.01	ADAPTOR
3	5	8650108	BONDED SEAL
4	4	9100204	SPRING WASHER
5	4	9313044	SETSCREW
6	2	9313035	SETSCREW
7	1	43177.26 *	LOOM - ROTOR REVERSE
8	1	8581389	ADAPTOR PLUG
9	1	21352.01	RCV MOUNTING PLATE
10	2	9100205	SPRING WASHER
11	1	8581129	ADAPTOR

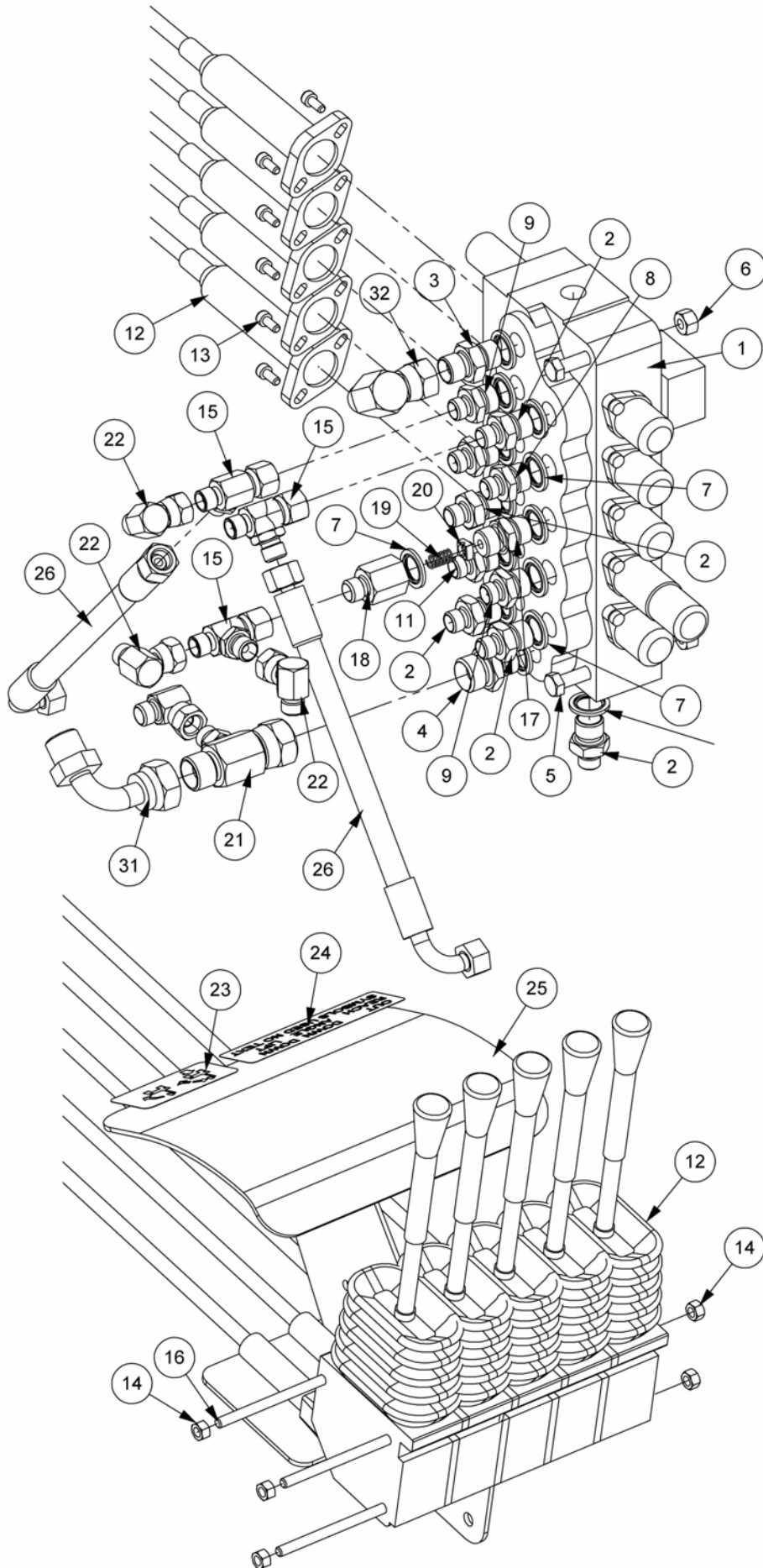
* *Not illustrated*

Model: MAG480 Mk4



CABLE CONTROL VALVE

Module:
7448726



CABLE CONTROL VALVE

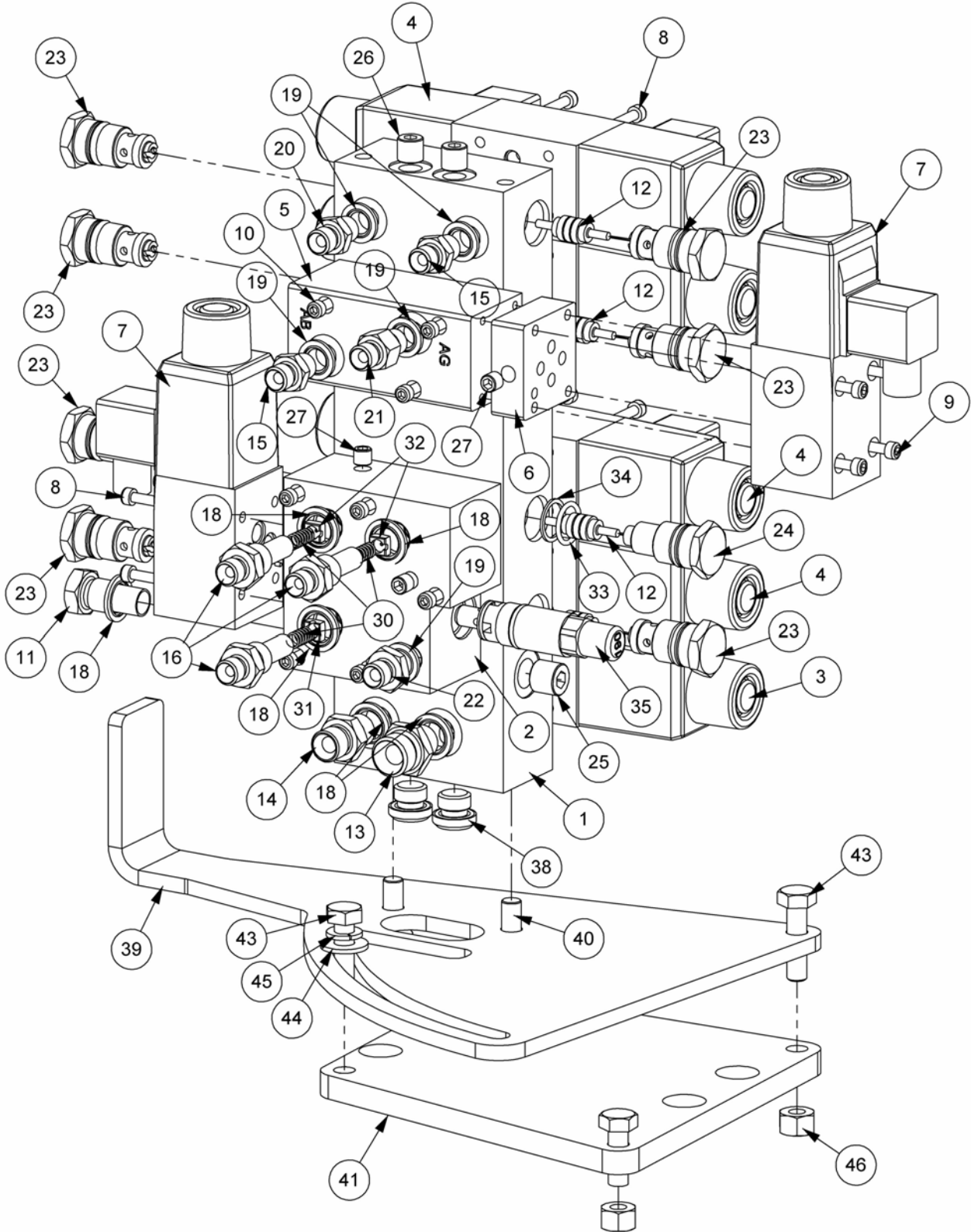
REF.	QTY.	PART NO.	DESCRIPTION
		7448726	CABLE CONTROL VALVE ASSEMBLY
1	1	8130634	VALVE - 5 SPOOL
2	5	8581115	ADAPTOR
3	1	6000113	ADAPTOR
4	1	6000112	ADAPTOR
5	3	9213134	BOLT
6	3	9143004	SELF-LOCKING NUT
7	14	8650103	BONDED SEAL
8	1	8130047	ADAPTOR RESTRICTOR - 1.8 'B'
9	2	8130066	ADAPTOR RESTRICTOR - 1.15 'M'
10	1	8130046	ADAPTOR RESTRICTOR - 1.5 'A'
11	1	8130048	ADAPTOR RESTRICTOR - 1.3 'C'
12	5	8017066	ARM CONTROL HEAD & CABLE - 3.0m
13	10	9343022	CAPSCREW
14	6	9143003	SELF-LOCKING NUT
15	3	8581254	ADAPTOR TEE
16	3	04.282.71	STUD
17	1	8581209	ADAPTOR
18	1	8581214	ADAPTOR BODY
19	1	8116011	SPRING
20	1	8123043	RESTRICTOR DISC - 1.6 GREEN
21	1	04.056.25	ADAPTOR TEE
22	4	8581190	ADAPTOR ELBOW - 90°
23	1	1290357	CONTROL DECAL
24	1	1290368	CONTROL DECAL
25	1	7650307	ARMREST
26	2	10.002.04	HOSE - 1/4" BSP FS/F90 x 200mm
27	1	10.002.08	HOSE - 1/4" BSP FS/F90 x 400mm
28	1	09.968.99	KNOB
29	1	8017067	KNOB
30	1	8017068	KNOB
31	1	8581215	SWEPT ELBOW - 90°
32	1	8581117	ADAPTOR ELBOW

Model: MAG480 Mk4



ELECTRIC CONTROL VALVE

Module:
7451798



ELECTRIC CONTROL VALVE

REF.	QTY.	PART NO.	DESCRIPTION
		7451798	ELECTRIC CONTROL VALVE ASSEMBLY
1	1	8132268	MANIFOLD BLOCK
2	1	8130348	SLEW CIRCUIT BLOCK
3	1	8130456	CUT OFF SOLENOID VALVE
4	4	8130629	DOUBLE SOLENOID VALVE
5	1	8130323	FLOAT VALVE BLOCK
6	1	8126280	BRIDGING PLATE
7	2	8130457	SINGLE SOLENOID VALVE
8	24	9243062	CAPSCREW
9	4	9243102	CAPSCREW
10	9	9243082	CAPSCREW
11	1	8130032	RELIEF VALVE CAP
12	4	8130087	ACTUATOR
13	1	6000112	ADAPTOR
14	1	6000113	ADAPTOR
15	2	8130038	ADAPTOR RESTRICTOR - 1.4 'L'
16	3	8581210	ADAPTOR
17	1	8130092	RELIEF VALVE - 190BAR
18	6	8650103	BONDED SEAL
19	5	8650102	BONDED SEAL
20	1	8130105	ADAPTOR RESTRICTOR - 1.6 'H'
21	1	8130037	ADAPTOR RESTRICTOR - 1.15 'S'
22	1	8581169	ADAPTOR
23	7	8130090	CHECK VALVE ASSEMBLY
24	1	8130078	CHECK VALVE CAP
25	1	8582043	TAPER PLUG
26	2	8582042	TAPER PLUG
27	5	8582041	TAPER PLUG
28	12	8700511	O RING
29	2	8700525	O RING
30	3	8116011	SPRING
31	1	8123041	RESTRICTOR DISC - 1.15 RED
32	2	8123043	RESTRICTOR DISC - 1.6 GREEN
33	1	8700644	O RING
34	1	8709644	AE RING
35	1	G3812542	RELIEF VALVE - 190BAR
36	1	8402338	LOOM - ANGLE FLOAT
37	1	41844.01	LOOM - 19 CORE
38	2	8581436	SOFT SEAL PLUG
39	1	21351.02	VALVE MOUNTING PLATE - R/H Build
40	3	9353065	CAPSCREW
41	1	21350.01	VALVE SPACER PLATE
42	1	9313065	SETSCREW
43	2	9213085	BOLT
44	1	9100105	FLAT WASHER
45	1	9100205	SPRING WASHER
46	3	9143005	SELF-LOCKING NUT

Model: MAG480 Mk4



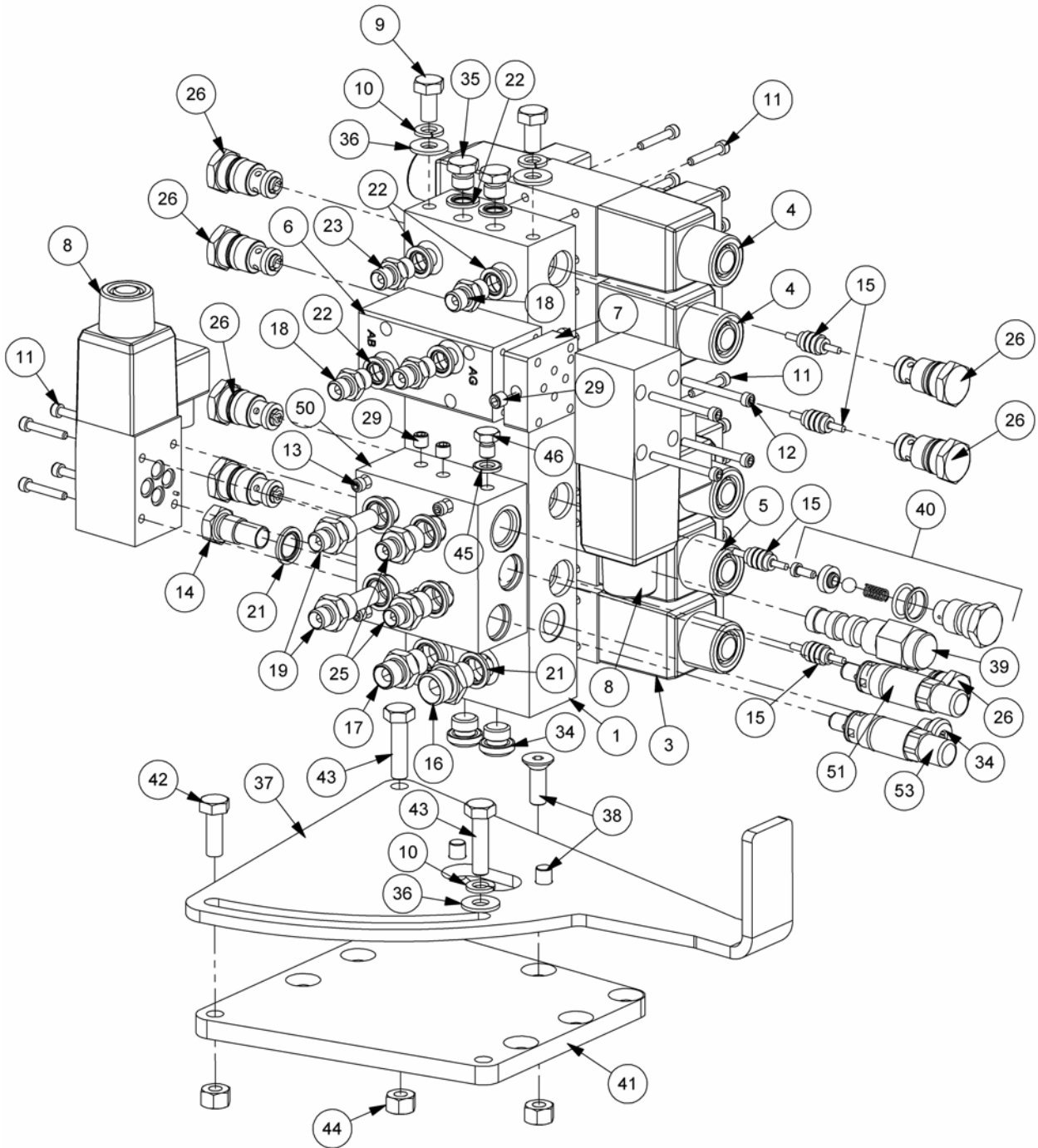
XTC PROP. CONTROL VALVE

Modules:

7155807 – L/H Build

7155808 – R/H Build

Illustrated in Left Hand Build



XTC PROP. CONTROL VALVE

REF.	QTY.	PART No.	DESCRIPTION
		7155807	PROPORTIONAL VALVE ASSEMBLY - L/H Build
		7155808	PROPORTIONAL VALVE ASSEMBLY - R/H Build
1	1	8132280	MANIFOLD BLOCK
3	1	8130456	CUT OFF SOLENOID VALVE
4	3	41784.48	DOUBLE SOLENOID PROPORTIONAL VALVE
5	1	8130629	DOUBLE SOLENOID VALVE
6	1	8126333	FLOAT VALVE BLOCK
7	1	8126334	BRIDGING PLATE
8	2	8130457	SINGLE SOLENOID VALVE
9	2	9313045	SETSCREW
10	3	9100205	SPRING WASHER
11	24	9243062	CAPSCREW
12	4	9243102	CAPSCREW
13	8	9243082	CAPSCREW
14	1	8130032	RELIEF VALVE CAP
15	4	8130087	ACTUATOR
16	1	6000112	ADAPTOR
17	1	6000113	ADAPTOR
18	2	8130105	ADAPTOR RESTRICTOR - 1.6 'H'
19	2	8581210	SPECIAL ADAPTOR
20	1	8130092	RELIEF VALVE - 190BAR
21	7	8650103	BONDED SEAL
22	6	8650102	BONDED SEAL
23	1	8130104	ADAPTOR RESTRICTOR - 1.8 'G'
24	1	8130038	ADAPTOR RESTRICTOR - 1.4 'L'
25	2	8581115	ADAPTOR
26	7	8130090	CHECK VALVE ASSEMBLY
29	3	8582041	TAPER PLUG
30	11	8700511	O RING
31	2	8116011	SPRING
32	1	8123041	RESTRICTOR DISC - 1.15 RED
33	1	8123043	RESTRICTOR DISC - 1.6 GREEN
34	3	8581436	PLUG - SOFT SEAL
35	2	520378	ADAPTOR PLUG
36	3	9100105	FLAT WASHER
37	1	21351.01	VALVE MOUNTING PLATE - L/H Build
	1	21351.02	VALVE MOUNTING PLATE - R/H Build
38	3	9353065	CAPSCREW
39	1	8130204	CARTRIDGE SPOOL VALVE
40	1	8130354	CHECK VALVE ASSEMBLY
41	1	21350.01	VALVE SPACER PLATE
42	1	9313065	SETSCREW
43	2	9213085	BOLT
44	3	9143005	SELF-LOCKING NUT
45	1	05.290.01	BONDED SEAL
46	1	8581444	BLANKING PLUG
47	1	41844.01	LOOM - 19 CORE
48	1	8402338	LOOM - ANGLE FLOAT
49	1	8700525	O RING
50	1	8132288	AUTO RESET BLOCK
51	2	8130150	RELIEF VALVE
52	1	8700522	O RING
53	1	G3812541	RELIEF VALVE

Model: MAG480 Mk4

PROPORTIONAL CONTROL VALVE

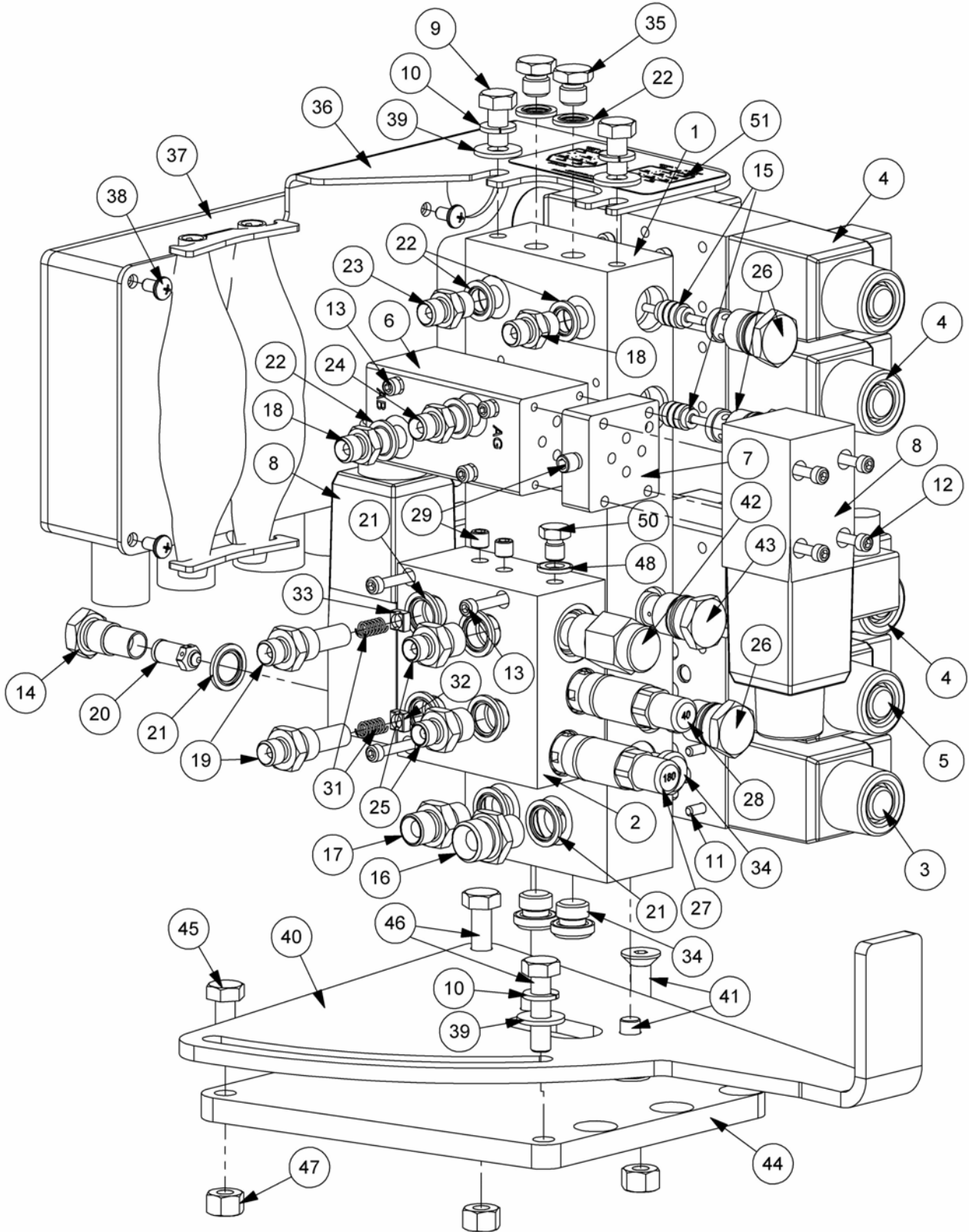


Modules:

7155744 – L/H Build

7155745 – R/H Build

Illustrated in Left Hand build



PROPORTIONAL CONTROL VALVE

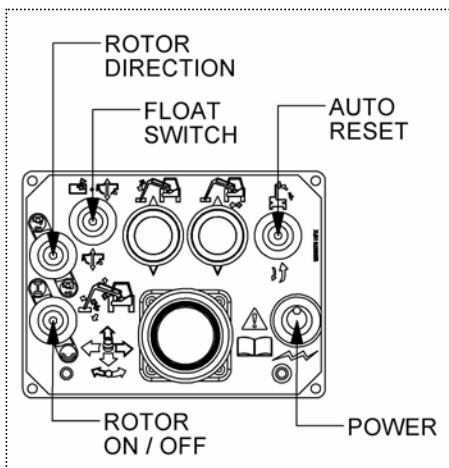
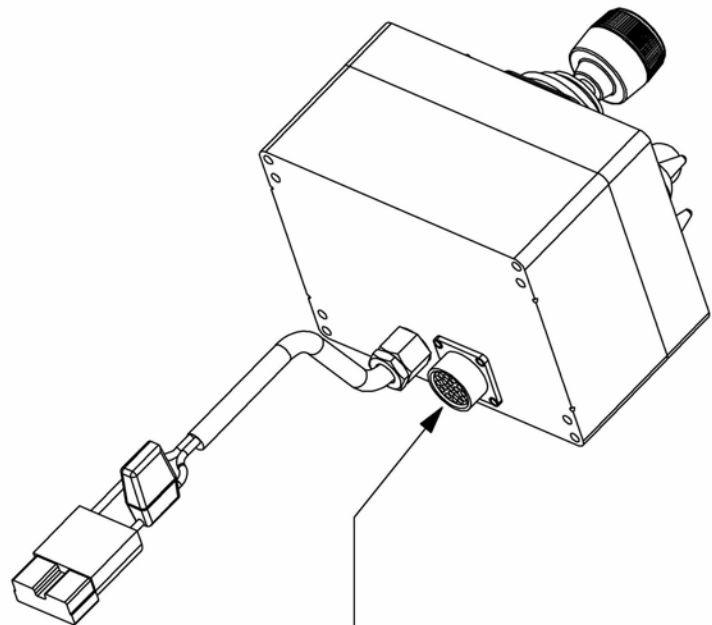
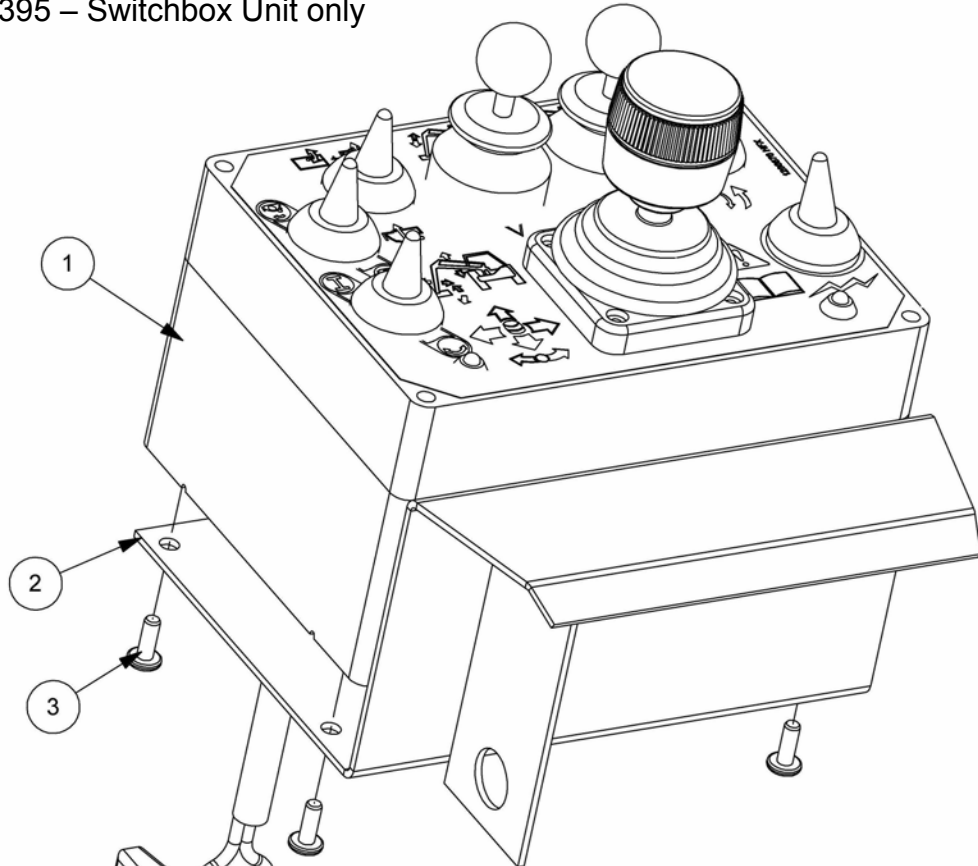
REF.	QTY.	PART No.	DESCRIPTION
		7155744	PROP. CONTROL VALVE - Std. L/H Models
		7155745	PROP. CONTROL VALVE - Std. R/H Models
1	1	8132280	MANIFOLD BLOCK
2	1	8132288	AUTO RESET BLOCK
3	1	8130456	CUT OFF SOLENOID VALVE
4	3	41784.48	DOUBLE SOLENOID PROP. VALVE
5	1	8130629	VALVE - DOUBLE SOLENOID
6	1	8126333	FLOAT VALVE BLOCK
7	1	8126334	BRIDGING PLATE
8	2	8130457	SOLENOID VALVE - SINGLE
9	2	9313045	SETSCREW
10	3	9100205	SPRING WASHER
11	24	9243062	CAPSCREW
12	4	9243102	CAPSCREW
13	8	9243082	CAPSCREW
14	1	8130032	RELIEF VALVE CAP
15	4	8130087	ACTUATOR
16	1	6000112	ADAPTOR
17	1	6000113	ADAPTOR
18	2	8130105	ADAPTOR RESTRICTOR - 1.6 'H'
19	2	8581210	ADAPTOR - SPECIAL
20	1	8130092	RELIEF VALVE - 190BAR
21	7	8650103	BONDED SEAL
22	6	8650102	BONDED SEAL
23	1	8130104	ADAPTOR RESTRICTOR - 1.8 'G'
24	1	8130038	ADAPTOR RESTRICTOR - 1.4 'L'
25	2	8581115	ADAPTOR
26	7	8130090	CHECK VALVE ASSEMBLY
27	1	G3812541	RELIEF VALVE - 180BAR
28	1	8130150	RELIEF VALVE - 40BAR
29	3	8582041	TAPER PLUG
30	11	8700511	O RING
31	2	8116011	SPRING
32	1	8123041	RESTRICTOR DISC - 1.15 RED
33	1	8123043	RESTRICTOR DISC - 1.6 GREEN
34	3	8581436	PLUG - SOFT SEAL
35	2	520378	ADAPTOR PLUG
36	1	21170.01	CONTROLLER MOUNTING BRACKET - L/H Build
	1	21170.03	CONTROLLER MOUNTING BRACKET - R/H Build
37	1	21164.03	CONTROLLER ASSEMBLY - v3
38	4	9300164	TAPTITE
39	3	9100105	FLAT WASHER
40	1	21351.01	VALVE MOUNTING PLATE - L/H Build
	1	21351.01	VALVE MOUNTING PLATE - R/H Build
41	3	9353065	CAPSCREW
42	1	8130204	CARTRIDGE SPOOL VALVE
43	1	8130354	CHECK VALVE ASSEMBLY
44	1	21350.01	VALVE SPACER PLATE
45	1	9313065	SETSCREW
46	2	9213085	BOLT
47	3	9143005	SELF-LOCKING NUT
48	1	05.290.01	BONDED SEAL
49	1	8700525	O RING
50	1	8581444	BLANKING PLUG
51	1	1290675	ACB WIRING DECAL
52	1	8700522	O RING

PROPORTIONAL SWITCHBOX

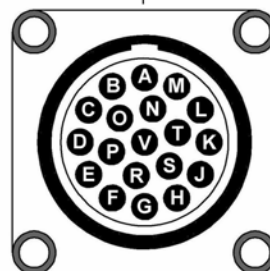
Modules:

8402911 – Switchbox Unit c/w Mounting Bracket & Screws

8402395 – Switchbox Unit only



- A - COMMON
- B - REACH IN
- C - REACH OUT
- D - LIFT UP
- E - LIFT DOWN
- F - COMMON
- G - TELE IN
- H - TELE OUT
- J - ANGLE DOWN
- K - ANGLE UP



- L - SLEW OUT
- M - SLEW IN
- N - COMMON
- P - ANGLE FLOAT
- R - LIFT FLOAT
- S - PUMP 1
- T - PUMP 2
- U - AUTO RESET
- V - CUT OFF

PROPORTIONAL SWITCHBOX

REF.	QTY.	PART NO.	DESCRIPTION
		8402911	PROPORTIONAL SWITCHBOX CONTROLS
1	1	8402395	PROPORTIONAL SWITCHBOX UNIT - <i>comprising of:</i>
	1	41845.44	BOX BASE
	1	41845.45	BOX LID
	1	41845.47	CIRCUIT BOARD
	2	41845.34	LOOM - SWITCH UNIT
	1	41845.37	LOOM - FLOAT SWITCH
	1	43022.49	CONNECTOR - SINGLE FUSE
	1	8402189	PANEL MOUNTING SHELL
	1	8402149	GLAND - PLASTIC
	4	2800203	SCREW
	2	8402122	SWITCH UNIT
	1	8402023	TOGGLE SWITCH
	1	8402197	SWITCH - FLOAT SELECTION
	2	41845.41	LED
	5	8402024	SWITCH COVER
	1	8402198	KNOB - BLUE
	1	8402056	KNOB - BLACK
	1	8402237	LOOM - POWER SUPPLY
	19	8402192	SOCKET CONTACT
	1	8402173	SWITCH - PUMP POWER / RESET
	1	8402182	SWITCH - AUTO RESET
	1	8402185	SWITCH - ROTOR DIRECTION
	1	1290670	DECAL - PROPORTIONAL SWITCHBOX
	1	41845.36	LOOM - PUMP CONTROL
	1	41845.35	LOOM - RESET
	1	8402246	JOYSTICK - 3 AXIS
2	1	8402345	SWITCHBOX MOUNTING BRACKET
3	4	2800243	SELF TAPPING SCREW

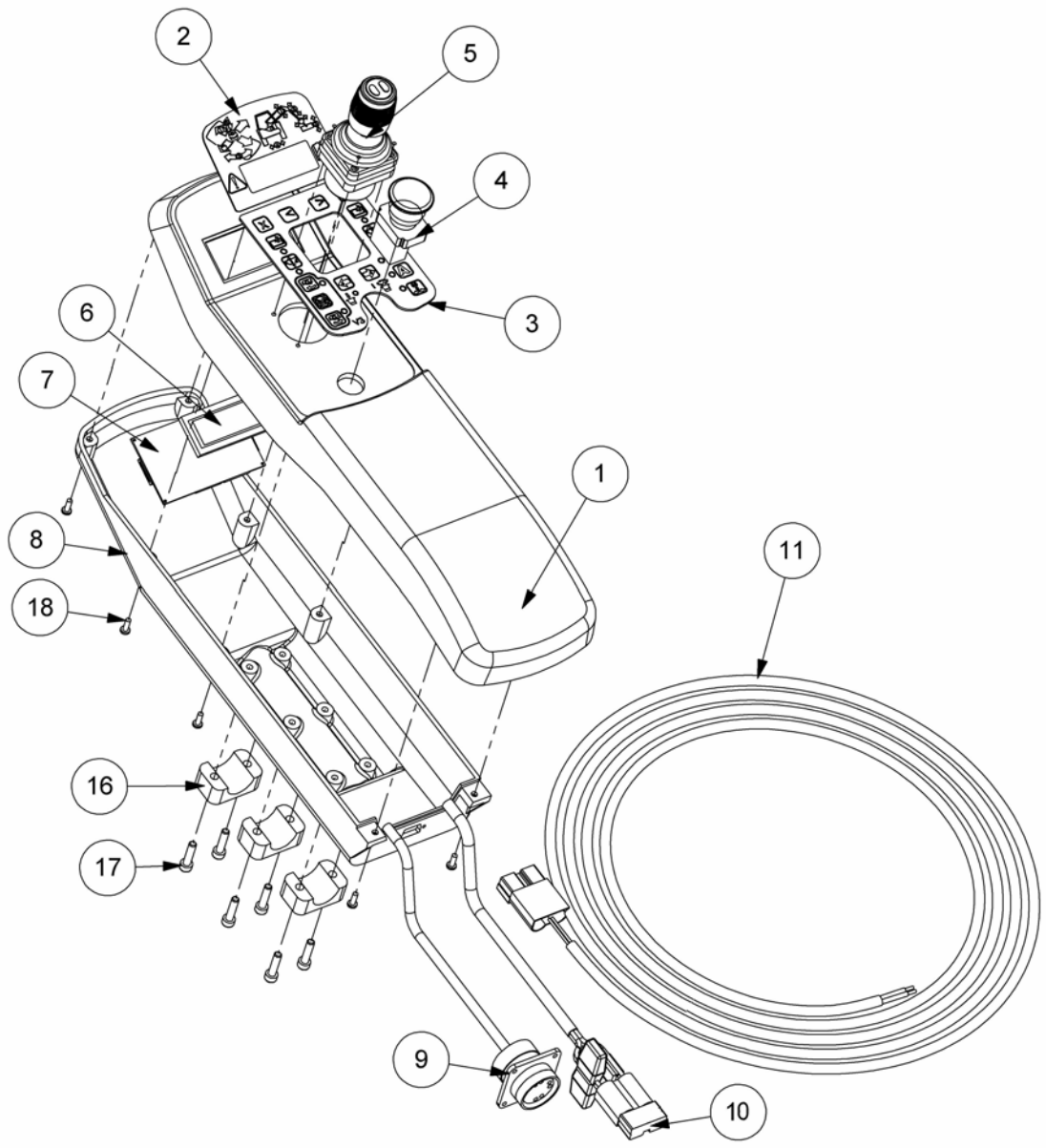
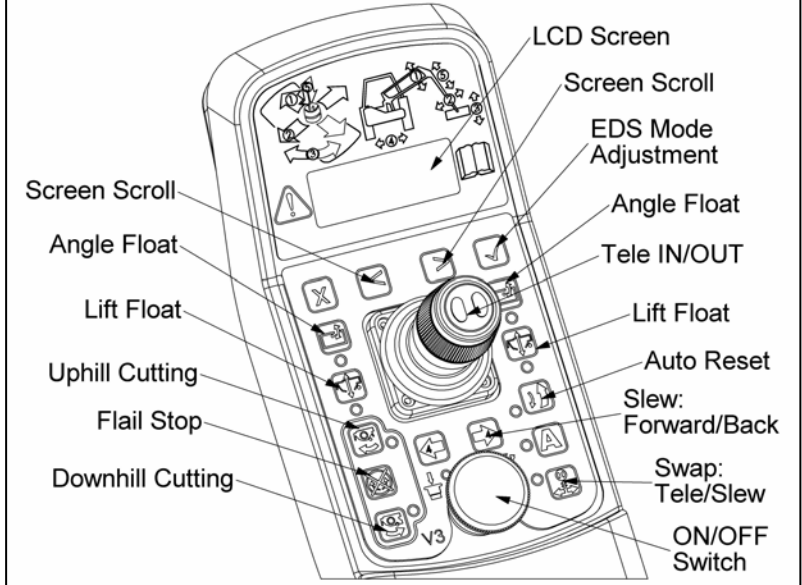
PROPORTIONAL CONTROLS - v3

Modules:

43022.20 - Proportional

43022.21 - Proportional EDS

OPERATOR CONTROLS/FUNCTIONS



PROPORTIONAL CONTROLS - v3

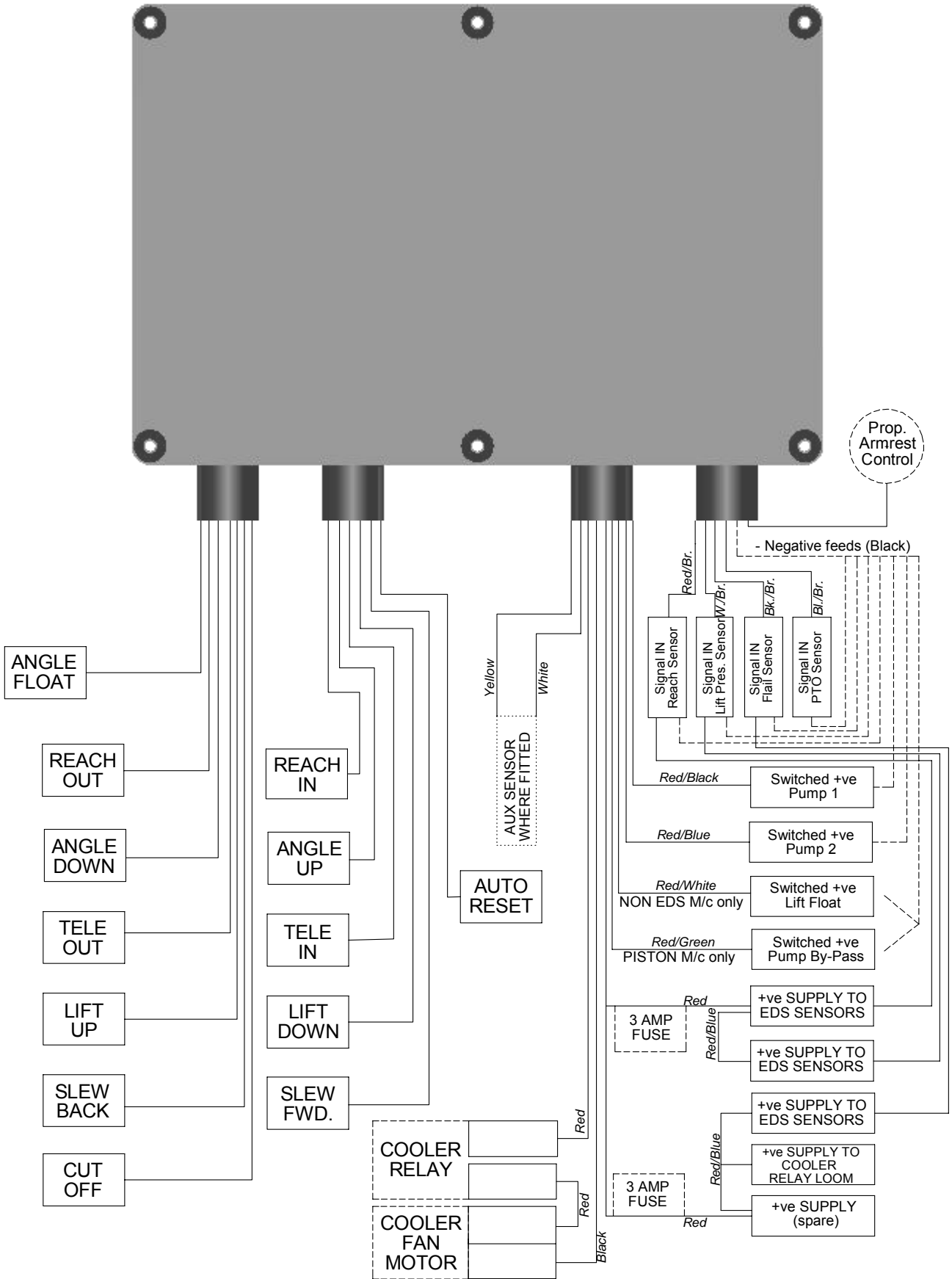
REF.	QTY.	PART No.	DESCRIPTION
		43022.20	v.3 PROPORTIONAL ARMREST CONTROLS - Std.
		43022.21	v.3 PROPORTIONAL ARMREST CONTROLS - EDS
1	1	43022.324	ARMREST LID - GREY
2	1	43022.50	FRONT DECAL
3	1	43022.51	JOYSTICK KEYPAD - <i>Factory replacement only</i>
4	1	41786.33	SWITCH - EMERGENCY STOP
5	1	45710.96	JOYSTICK - inc. fixing screws
6	1	43022.52	LCD SCREEN - <i>Factory replacement only</i>
7	1	43022.53	CIRCUIT BOARD - <i>Factory replacement only</i>
8	1	43022.321	ARMREST BASE - YELLOW
9	1	43022.46	CONNECTOR & LEAD
10	1	43022.47	CONNECTOR & POWER LEAD (2 FUSES)
11	1	8402237	LOOM - POWER SUPPLY
12	2	8402149	GLAND
13	1	43022.39	CONNECTOR 9 WAY
14	1	8600119	O RING - not illustrated
15	1	8402239	PUSH ON COVER - not illustrated
16	3	30.209.71	PIPE CLAMP
17	6	9343053	CAPSCREW
18	8	9300132	PANHEAD SCREW

Model: MAG480 Mk4

AUXILIARY BOX (v3 Prop Models)



Module:
21164.03

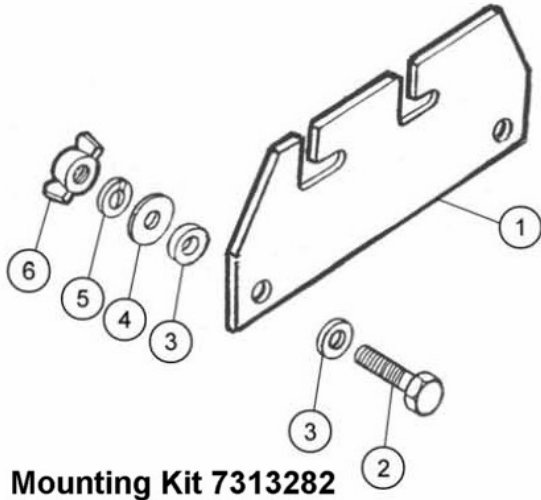


CONTROL MOUNTING KITS

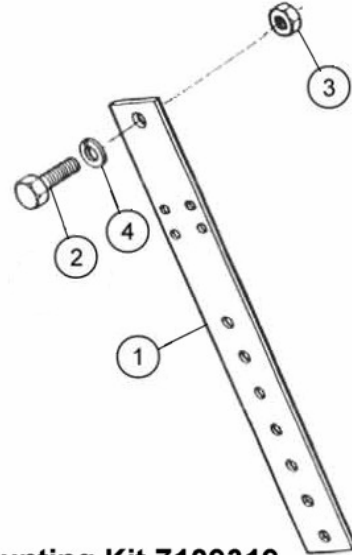
Modules:

7313282 – Cable Control Mounting Kit

7109319 – Electric Control Mounting Kit



Mounting Kit 7313282



Mounting Kit 7109319

REF.	QTY.	PART NO.	DESCRIPTION
7313282			CABLE CONTROL UNIT MOUNTING
1	1	42491.01	BRACKET
2	2	9313094	SETSCREW
3	4	03.152.01	RUBBER WASHER
4	2	9100104	PLAIN WASHER
5	2	9100204	SPRING WASHER
6	2	9193004	WINGNUT

REF.	QTY.	PART NO.	DESCRIPTION
7109319			ELECTRIC SWITCHBOX CONTROL MOUNTING
1	1	7109146	PILLAR
2	1	9311086	SETSCREW
3	1	0111006	NUT
4	1	0100206	SPRING WASHER

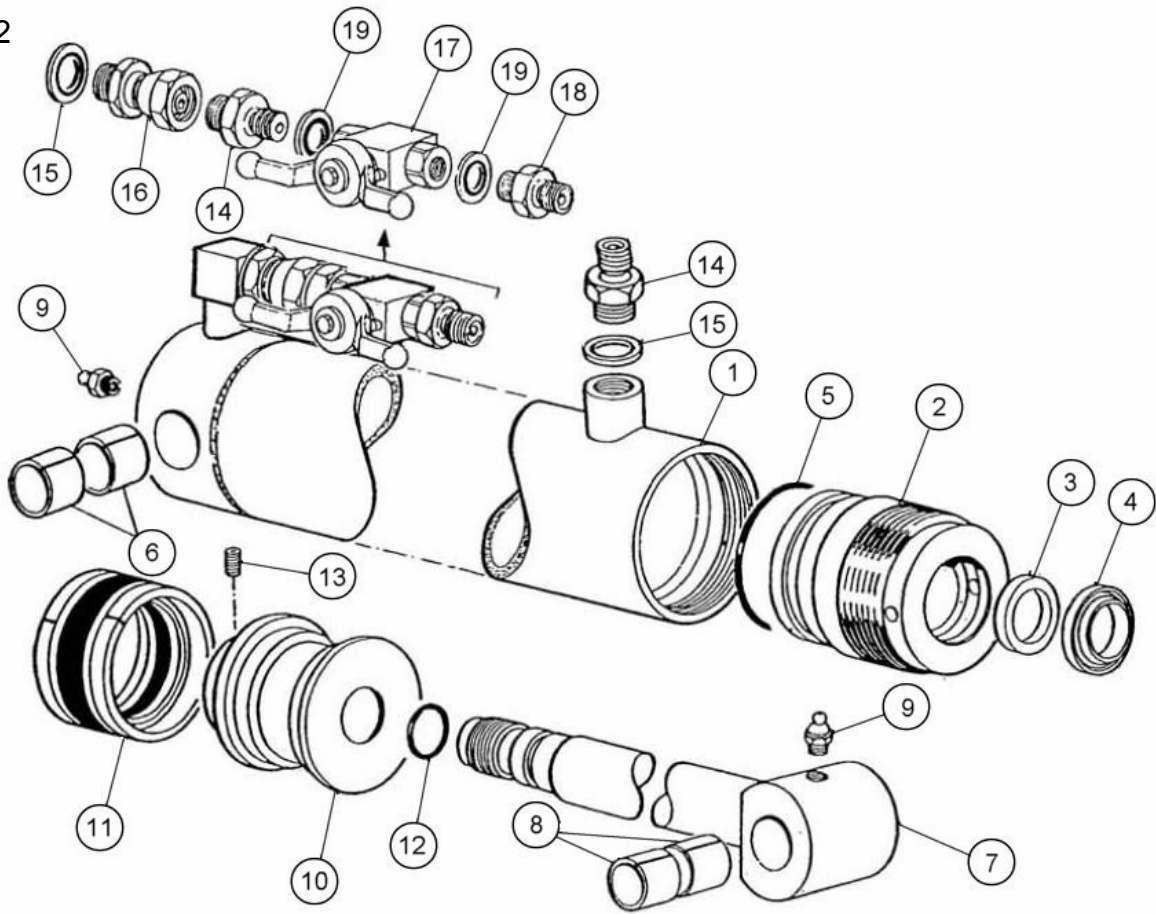
HYDRAULIC INSTALLATIONS

REF.	QTY.	PART NO.	DESCRIPTION
		7448718	HYDRAULIC INSTALLATION - Standard Arm
		7448719	HYDRAULIC INSTALLATION - Midcut Arm
1	1	42095.02	LIFT RAM ASSEMBLY
2	1	7193334	REACH RAM ASSEMBLY
3	1	7560344	ANGLING RAM ASSEMBLY
4	1	45910.05	SLEW RAM ASSEMBLY
5	1	8501218	HOSE - 1½" BORE x 600mm
6	4	0904107	HOSE CLIP
7	4	7196045	HOSE TIE
8	3	7135084	HOSE TIE
9	1	42374.20	HOSE SLEEVE
10	1	7550063	CORDURA SLEEVING
11	2	8582058	BLANKING CAP
12	5	7193063	HOSE CLAMP PAIR
13	3	45630.01	HOSE CLAMP
14	1	9243124	CAPSCREW
15	4	9243154	CAPSCREW
16	1	7195303	HOSE BRACKET
17	1	7114076	* HOSE CLAMP LOWER
18	1	7114075	HOSE CLAMP UPPER
19	1	9213094	BOLT
20	1	7191104	* HOSE CLAMP UPPER

* Midcut Arm models only

LIFT RAM ASSEMBLY

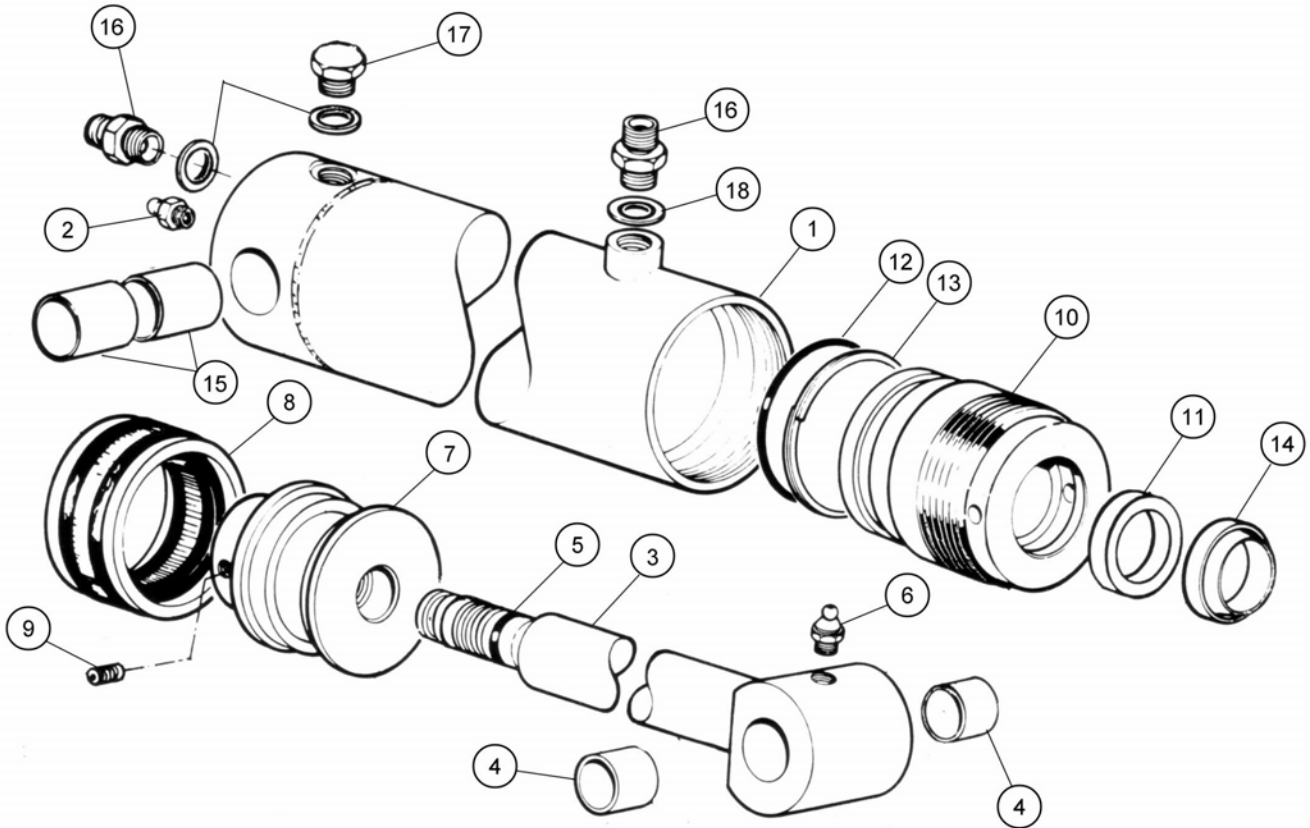
Module:
42095.02



REF.	QTY.	PART NO.	DESCRIPTION
		42095.02	LIFT RAM & TAP ASSEMBLY
		42095.01	LIFT RAM ASSEMBLY - <i>Comprising of:</i>
1	1	42095.31	BARREL
2	1	42095.38	GLAND HOUSING
3	1	8629158	GLAND SEAL
4	1	8629152	ROD WIPER
5	1	8600742	O RING
6	2	7101134	BUSH
7	1	42968.01	ROD
8	2	6012032	BUSH
9	2	0901121	GREASER
10	1	42095.34	PISTON
11	1	8638742	PISTON SEAL
12	1	8600119	O RING
13	1	9363023	GRUBSCREW
14	2	8581115	UNION
15	2	8650103	BONDED SEAL
16	1	8581178	SWIVEL UNION
17	1	8130181	TAP
18	1	8581169	UNION
19	2	8650102	BONDED SEAL
		8699249	SEAL KIT

REACH RAM ASSEMBLY

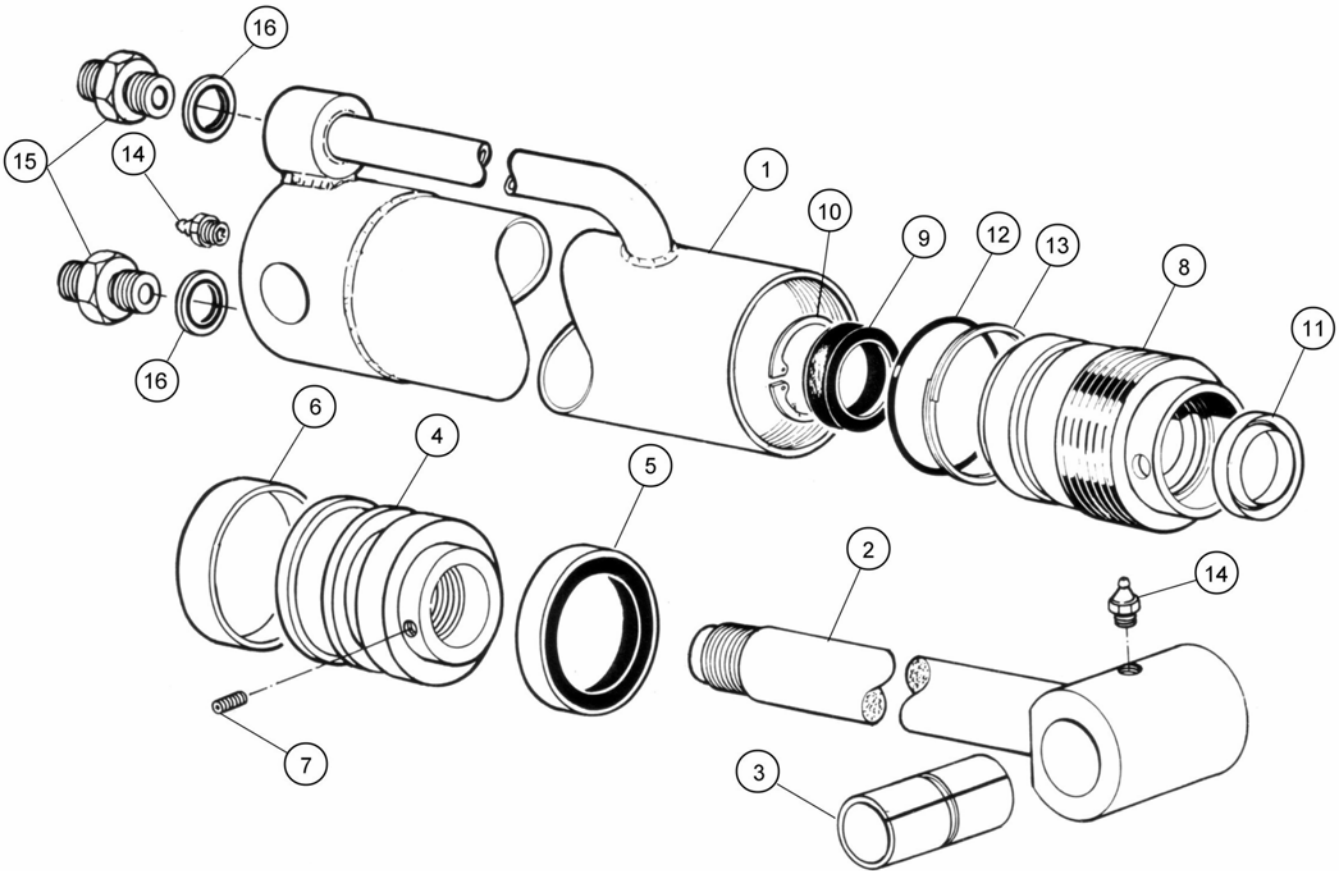
Module:
7193334



REF.	QTY.	PART No.	DESCRIPTION
		7193334	REACH RAM ASSEMBLY
		7193332	RAM BASE - <i>Comprising of:</i>
1		7135283	RAM CYLINDER
2		0901121	GREASER
3		7193029	PISTON ROD
4		6012032	BUSH
5		8600119	O RING
6		0901121	GREASER
7		7135004	PISTON c/w SEAL & GRUB SCREW
8		8638740	PISTON SEAL
9		9363023	GRUB SCREW
10		7135282	GLAND HOUSING
11		8629164	GLAND SEAL
12		8700740	O RING
13		8709740	ANTI EXTRUSION RING
14		8629147	WIPER
15		7101134	BUSH (RAM BASE)
16		8581115	UNION
17		8003001	PLUG
18		8650103	BONDED SEAL
		8699187	SEAL KIT

ANGLING RAM ASSEMBLY

Module:
7560344



REF.	QTY.	PART No.	DESCRIPTION
		7560344	ANGLING RAM ASSEMBLY
1	1	7135292	CYLINDER
2	1	7135009	ROD
3	1	7105050	BUSH
4	1	7560095	PISTON
5	1	8629187	PISTON SEAL
6	1	8629188	BEARING RING
7*	1	9363023	GRUB SCREW - SOCKET HEAD
8	1	7135291	GLAND HOUSING
9	1	8629148	GLAND SEAL
10	1	0416240	INTERNAL CIRCLIP
11	1	8629149	WIPER SEAL
12	1	8600302	O' RING
13	1	8609302	ANTI EXTRUSION RING
14	2	0901121	GREASER
15	2	8581169	UNION
16	2	8650102	BONDED SEAL
		8699188	SEAL KIT

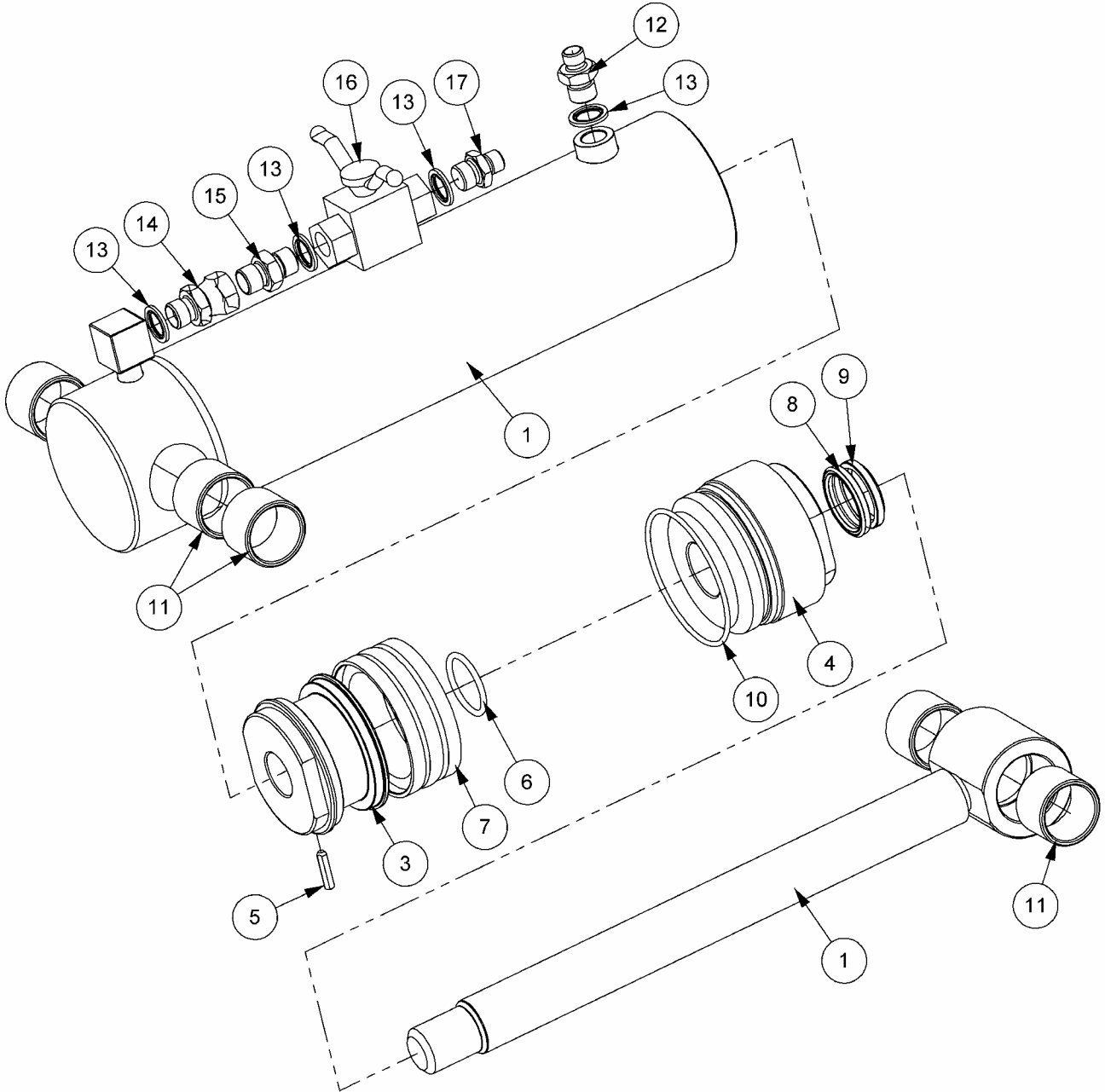
* Assembly note: Tighten fully and centre punch edge of hole to secure.

Model: MAG480 Mk4



SLEW RAM ASSEMBLY

Module:
45910.05

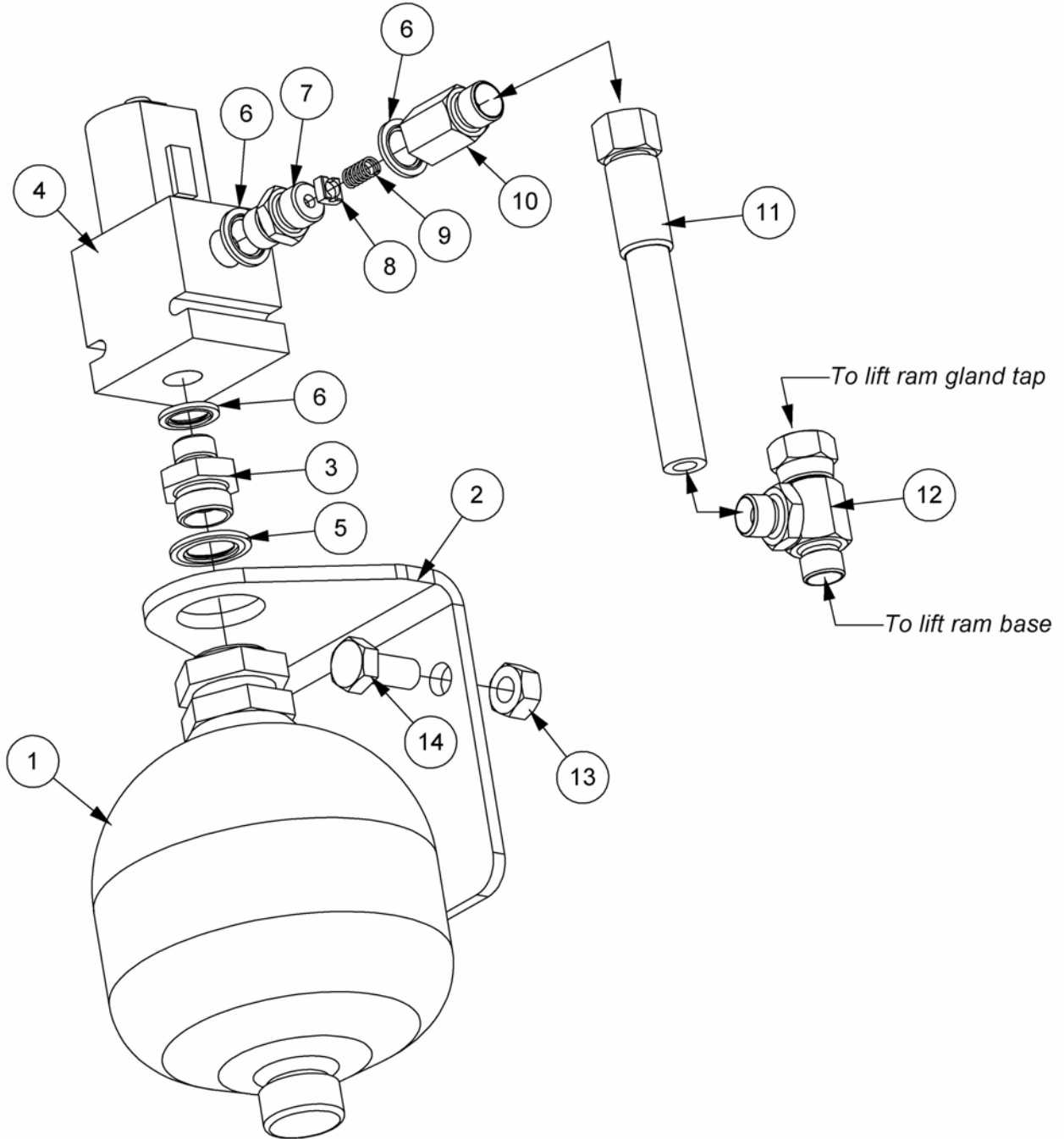


SLEW RAM ASSEMBLY

REF.	QTY.	PART No.	DESCRIPTION
		45910.05	SLEW RAM ASSEMBLY WITH TAP
		45910.04AP	SLEW RAM ASSEMBLY c/o:
1	1	45910.35	BARREL
2	1	45910.37	RAM ROD
3	1	45910.33	PISTON
4	1	45910.34	GLAND HOUSING
5	1	42775.01	DOWEL
6	1	8600125	O RING
7	1	8638742	PISTON SEAL
8	1	8629210	GLAND SEAL
9	1	8629211	WIPER SEAL
10	1	8600742	O RING
11	5	08.297.05	BUSH
12	1	8581115	ADAPTOR
13	4	8650103	BONDED SEAL
14	1	8581178	SWIVEL ADAPTOR
15	1	6000113	ADAPTOR
16	1	08.200.01	ISOLATING VALVE
17	1	8130066	RESTRICTOR
		8699254	SEAL KIT

LIFT FLOAT KIT

Module:
8126327



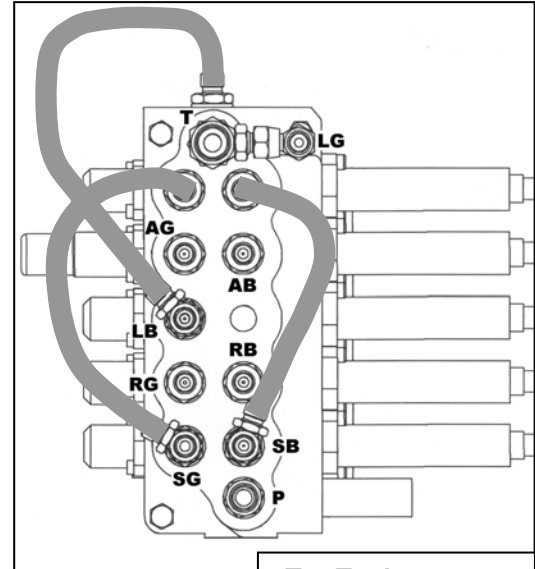
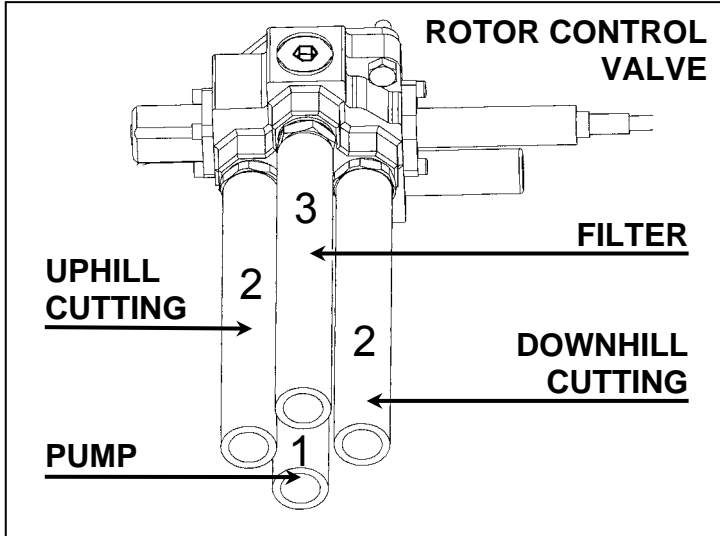
Model: MAG480 Mk4



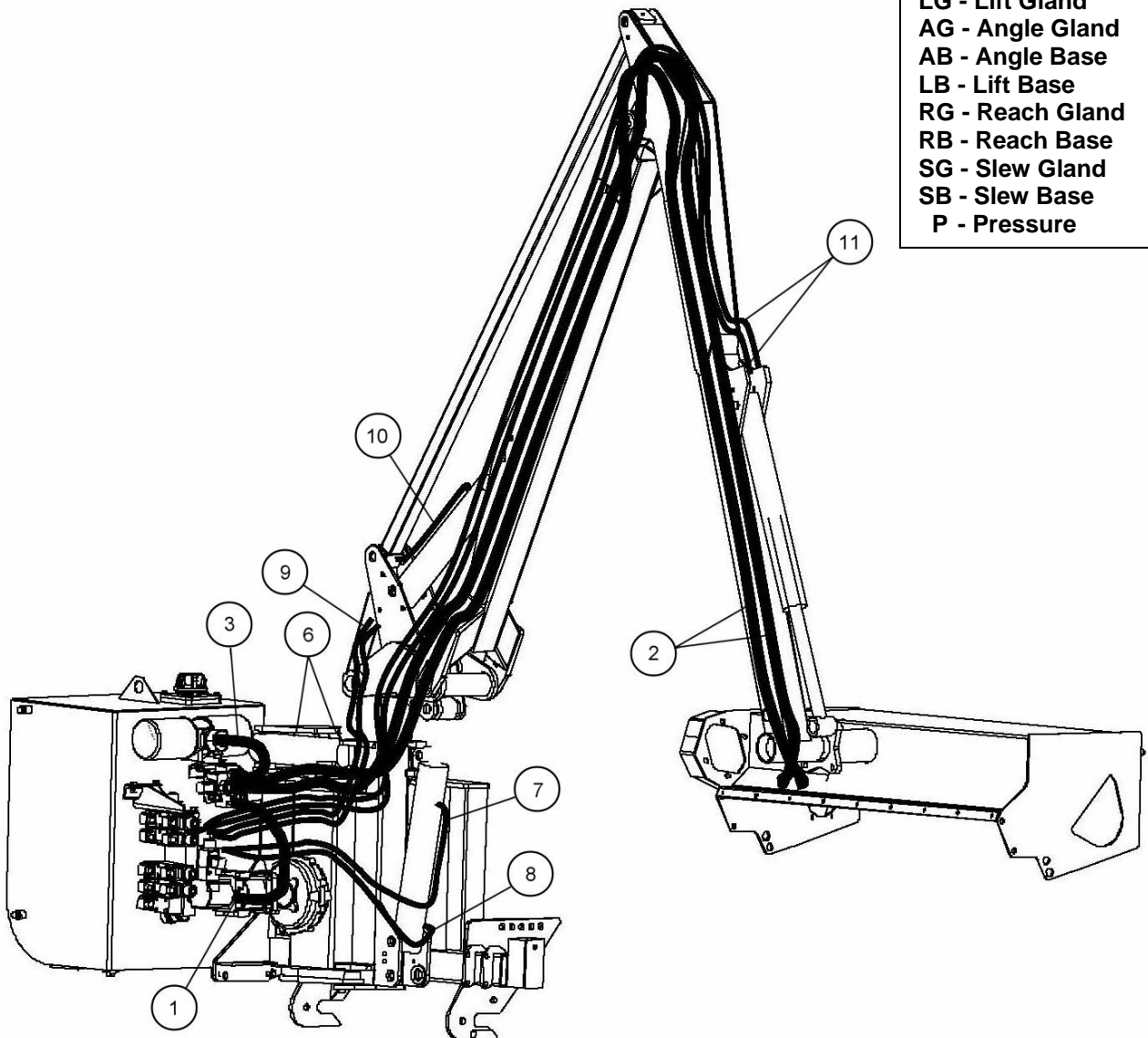
LIFT FLOAT KIT

REF.	QTY.	PART No.	DESCRIPTION
		8126327	LIFT FLOAT KIT
1	1	8126044	ACCUMULATOR
2	1	8126318	BRACKET
3	1	G2410380	ADAPTOR
4	1	08.619.09	MODULAR VALVE
5	1	8650322	BONDED SEAL
6	3	8650103	BONDED SEAL
7	1	8581209	ADAPTOR
8	1	8123041	RESTRICTOR DISC - 1.15 RED
9	1	8116011	SPRING
10	1	8581346	ADAPTOR RESTRICTOR BODY
11	1	10.004.18	HOSE - 3/8" BSP FS/F90 x 900mm
12	1	11.068.69	ADAPTOR TEE
13	2	9143006	SELF-LOCKING NUT
14	2	9313056	SETScrew

HOSE INSTALLATION (Cable)



- T - Tank
- LG - Lift Gland
- AG - Angle Gland
- AB - Angle Base
- LB - Lift Base
- RG - Reach Gland
- RB - Reach Base
- SG - Slew Gland
- SB - Slew Base
- P - Pressure



NOTE: *L'intention de ce diagramme est de donner une indication générale des positions de tuyau sur la machine. Il est recommandé de noter la position exacte de n'importe quel tuyau avant d'attacher un remplacement.*



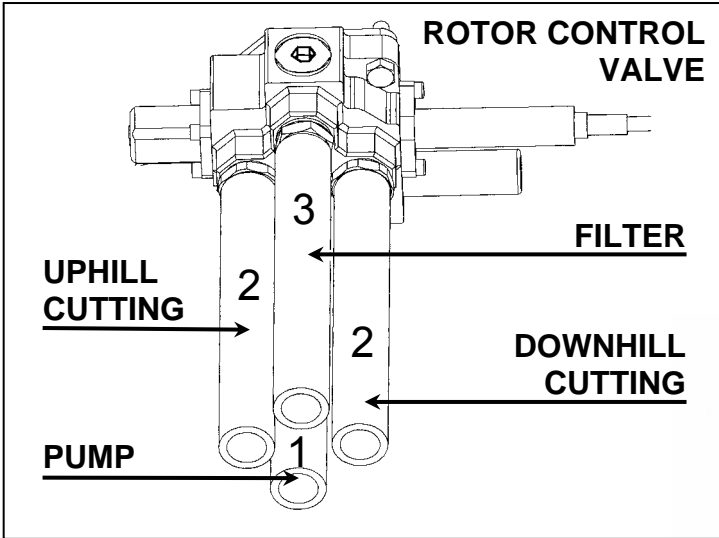
HOSE INSTALLATION (Cable)

REF.	QTY	PART NO.	DESCRIPTION
		74487291	CABLE MACHINES - Std. Arm Models
		74487292	CABLE MACHINES - Midcut Arm Models
1	1 1	10.011.16	HOSE - 1" BSP FS/FS x 800mm
2	2 -	8501285	HOSE - 1" BSP F90/F135 x 5300mm
	- 2	8501317	HOSE - 1" BSP F90/F135 x 5500mm
3	1 1	10.012.14	HOSE - 1" BSP FS/F90 x 700mm
4	1 1	10.004.14	HOSE - 3/8" BSP FS/F90 x 700mm
5	1 1	10.006.11	HOSE - 1/2" BSP FS/F90 x 550mm
6	2 2	10.002.13	HOSE - 1/4" BSP FS/F90 x 650mm
7	1 1	10.002.23	HOSE - 1/4" BSP FS/F90 x 1300mm
8	1 1	10.001.23	HOSE - 1/4" BSP FS/FS x 1300mm
9	1 1	10.001.26	HOSE - 1/4" BSP FS/FS x 1600mm
10	1 1	10.002.32	HOSE - 1/4" BSP FS/F90 x 2200mm
11	2 -	10.001.53	HOSE - 1/4" BSP FS/FS x 4300mm
	- 2	10.001.54	HOSE - 1/4" BSP FS/FS x 4400mm

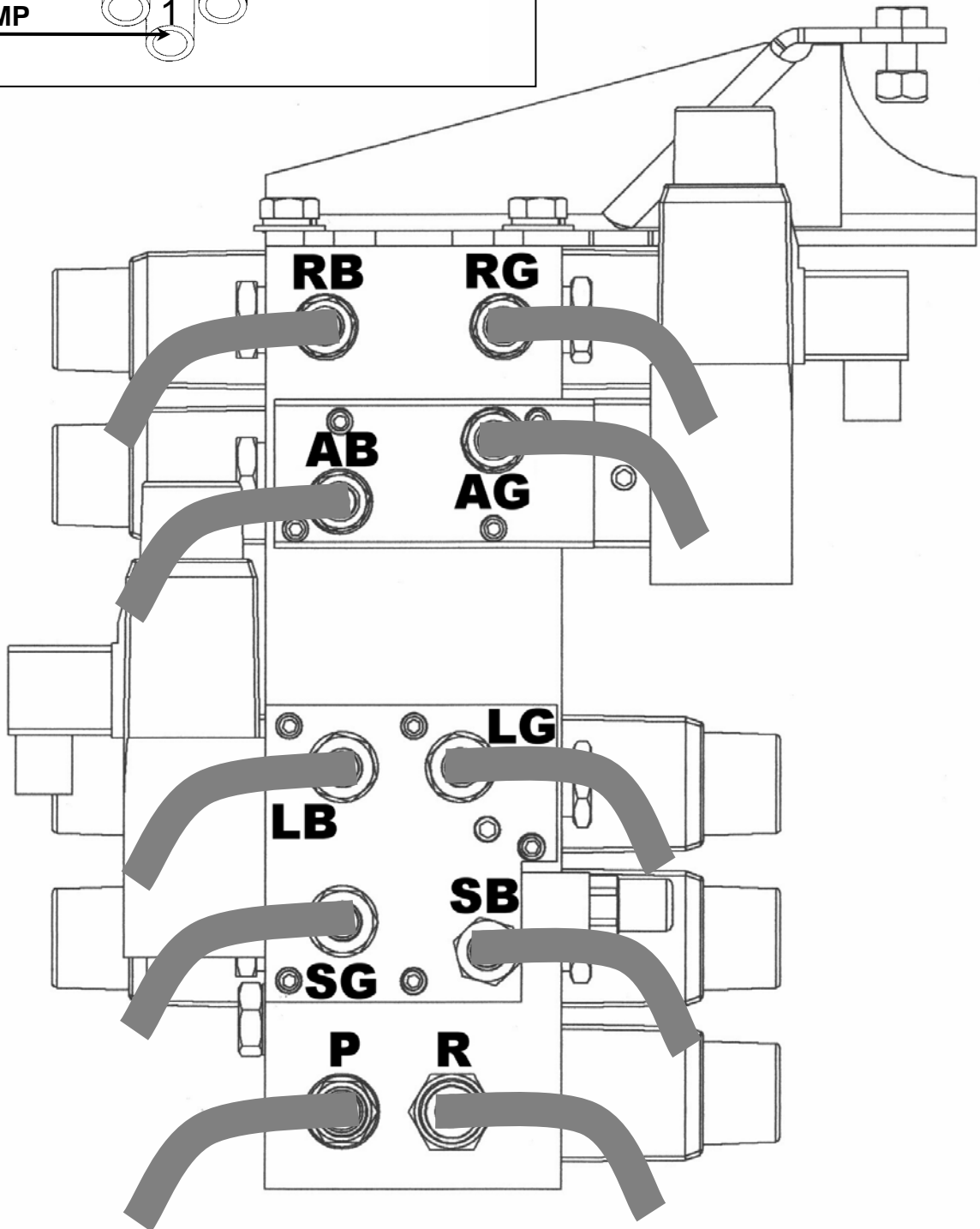
HOSE LOCATIONS

- | | | | |
|----------|---------------------------------------|-----------|--|
| 1 | <i>Pump to RCV</i> | 7 | <i>Lift (Gland)</i> |
| 2 | <i>Flail Hoses</i> | 8 | <i>Lift (Base)</i> |
| 3 | <i>RCV to Tank</i> | 9 | <i>Reach (Base)</i> |
| 4 | <i>Supply</i> | 10 | <i>Reach (Gland)</i> |
| 5 | <i>Return</i> | 11 | <i>Angle (Gland & Base)</i> |
| 6 | <i>Slew (Gland & Base)</i> | | |

HOSE INSTALLATION (Electric)



- LG - Lift Gland
- AG - Angle Gland
- AB - Angle Base
- LB - Lift Base
- RG - Reach Gland
- RB - Reach Base
- SG - Slew Gland
- SB - Slew Base
- P - Pressure
- R - Return





HOSE INSTALLATION (Electric)

REF.	QTY	PART NO.	DESCRIPTION
		74487293	ELECTRIC MACHINES - Std. Arm Models
		74487294	ELECTRIC MACHINES - Midcut Arm Models
		74487295	PROP. ELECTRIC MACHINES - Std. Arm Models
1	1 1 1	10.011.16	HOSE - 1" BSP FS/FS x 600mm
2	2 - 2	8501285	HOSE - 1" BSP F90/F135 x 5300mm
	- 2 -	8501317	HOSE - 1" BSP F90/F135 x 5500mm
3	1 1 -	10.012.14	HOSE - 1" BSP FS/F90 x 700mm
	- - 1	10.012.15	HOSE - 1" BSP FS/F90 x 750mm
	- - 1	10.012.24	HOSE - 1" BSP FS/F90 x 1400mm
4	1 1 1	10.004.14	HOSE - 3/8" BSP FS/F90 x 700mm
5	1 1 -	10.006.11	HOSE - 1/2" BSP FS/F90 x 550mm
	- - 1	10.006.20	HOSE - 1/2" BSP FS/F90 x 1000mm
6	2 2 2	10.002.11	HOSE - 1/4" BSP FS/F90 x 550mm
7	1 1 1	10.002.23	HOSE - 1/4" BSP FS/F90 x 1300mm
8	1 1 1	10.001.23	HOSE - 1/4" BSP FS/FS x 1300mm
9	1 1 1	10.001.26	HOSE - 1/4" BSP FS/FS x 1600mm
10	1 1 1	10.002.32	HOSE - 1/4" BSP FS/F90 x 2200mm
11	2 - 2	10.001.53	HOSE - 1/4" BSP FS/FS x 4300mm
	- 2 -	10.001.54	HOSE - 1/4" BSP FS/FS x 4400mm

LOCATION OF HOSES

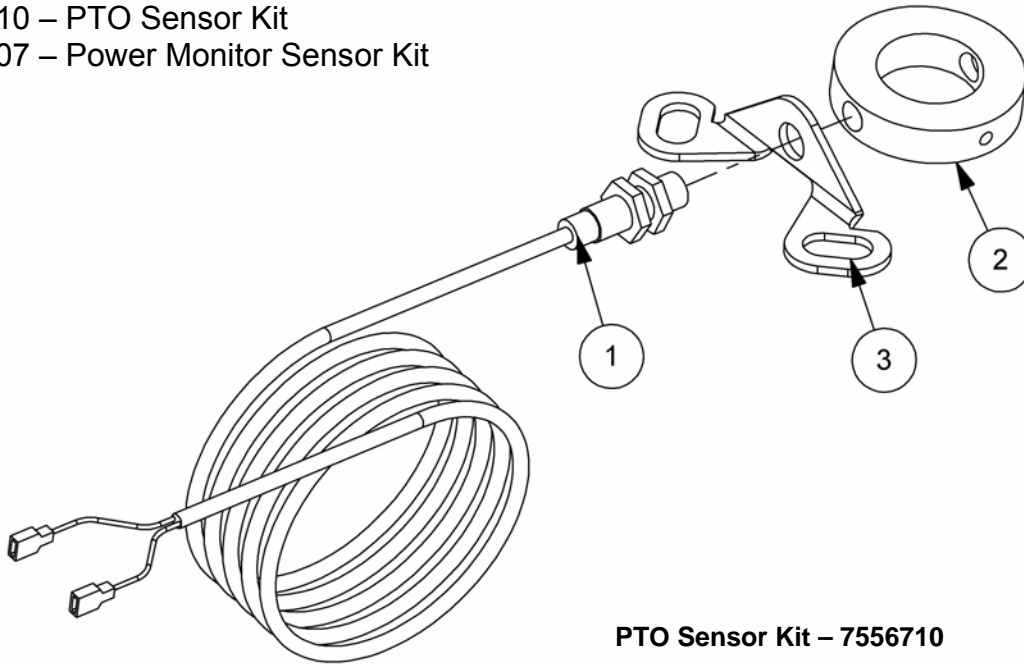
- | | | | |
|---|-------------------------------------|----|---------------------------------|
| 1 | <i>Pump to RCV</i> | 6 | <i>Slew (Gland & Base)</i> |
| 2 | <i>Flail Hoses</i> | 7 | <i>Lift (Gland)</i> |
| 3 | <i>RCV to Tank</i> | 8 | <i>Lift (Base)</i> |
| | <i>(Via Cooler on Prop. Models)</i> | 9 | <i>Reach (Base)</i> |
| 4 | <i>Supply</i> | 10 | <i>Reach (Gland)</i> |
| 5 | <i>Return</i> | 11 | <i>Angle (Gland & Base)</i> |

SENSOR KITS – PTO & POWER

Modules:

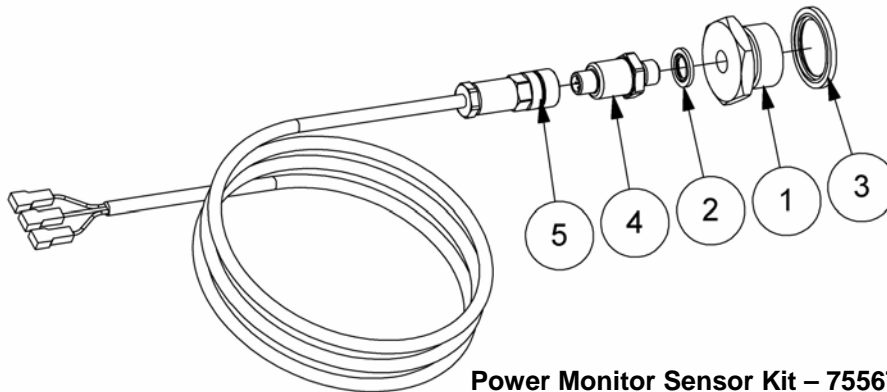
7556710 – PTO Sensor Kit

7556707 – Power Monitor Sensor Kit



PTO Sensor Kit – 7556710

REF.	QTY.	PART No.	DESCRIPTION
		7556710	PTO SENSOR KIT
1	1	8402251	PTO SENSOR
2	1	8402252	PTO MAGNETIC RING
3	1	21170.04	PTO SENSOR BRACKET

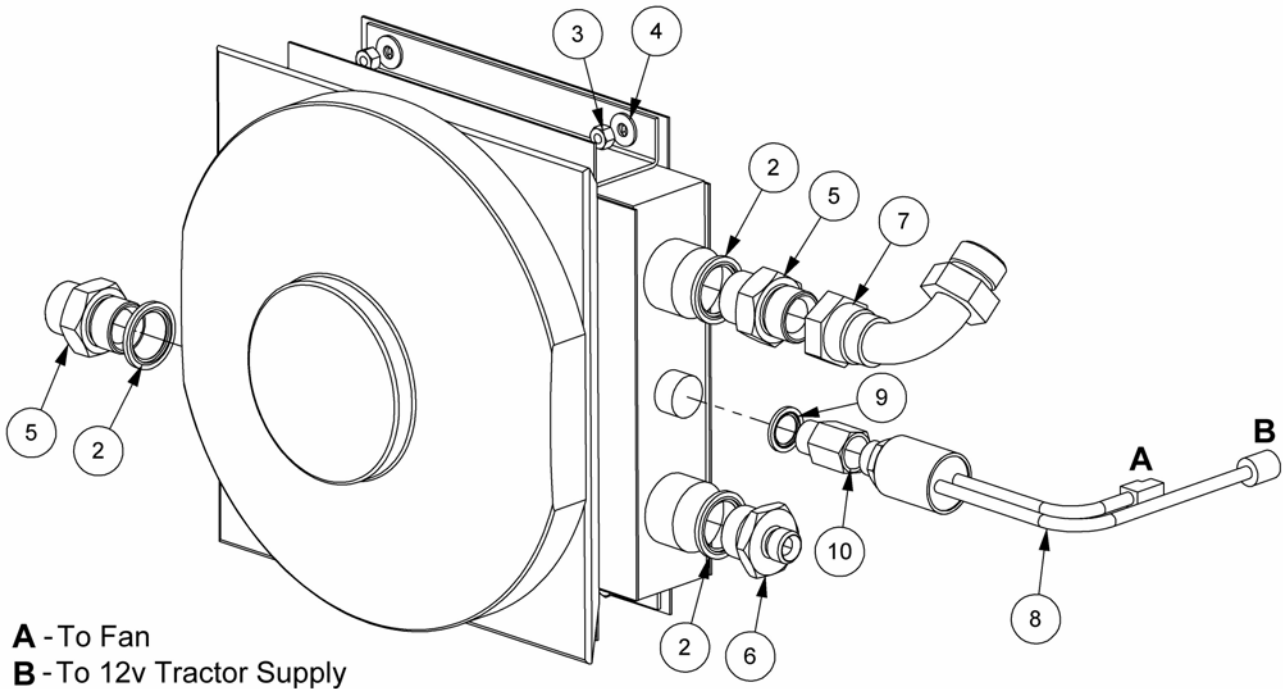


Power Monitor Sensor Kit – 7556707

REF.	QTY.	PART No.	DESCRIPTION
		7556707	POWER MONITOR SENSOR KIT
1	1	8581451	ADAPTOR
2	1	8650102	BONDED SEAL
3	1	8650108	BONDED SEAL
4	1	8402253	PRESSURE SENSOR - 0 TO 250 BAR
5	1	43177.53	LOOM - PRESSURE SENSOR

COOLER KIT ASSEMBLY

Module:
7153749



A - To Fan
B - To 12v Tractor Supply

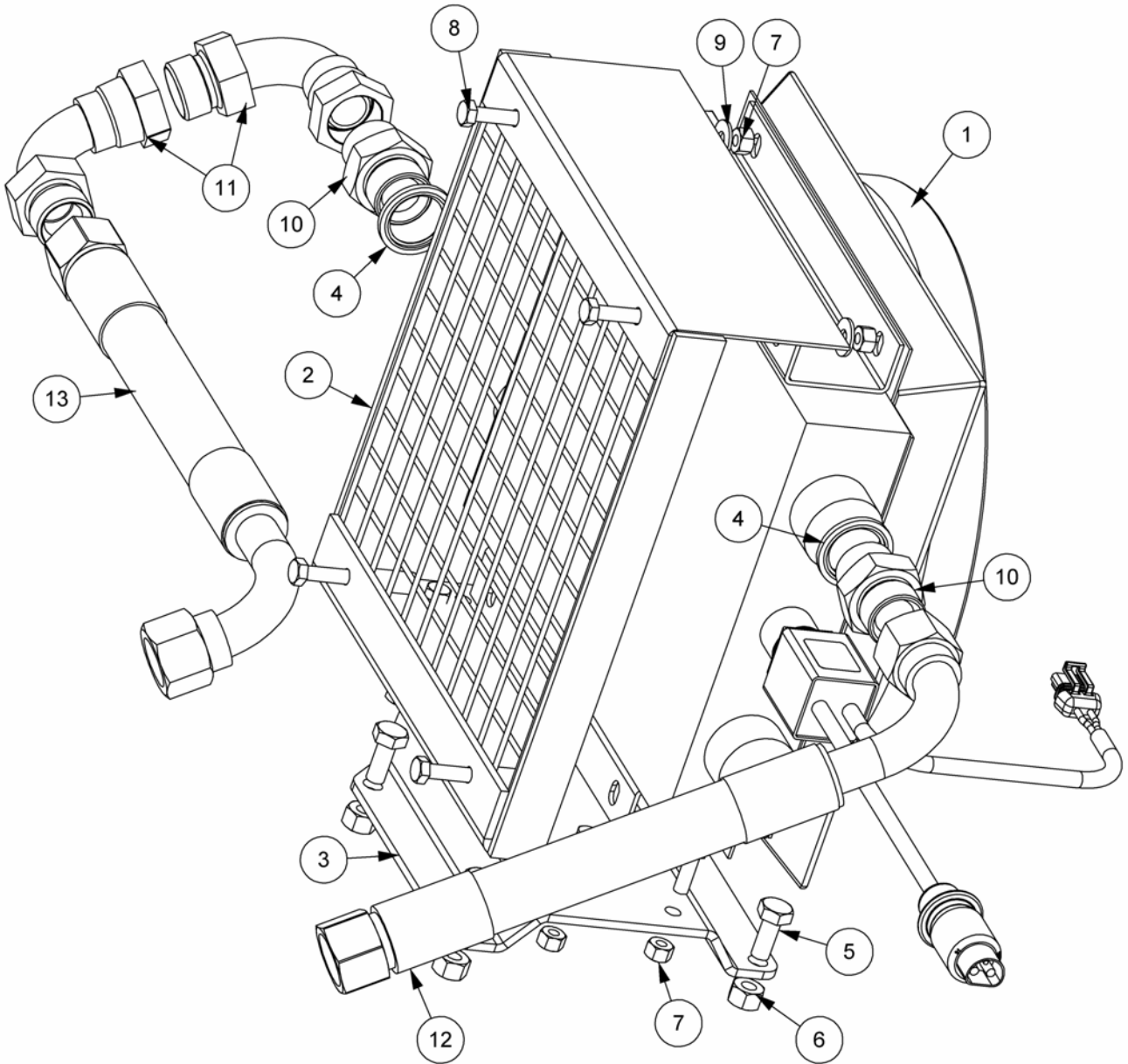
REF.	QTY.	PART NO.	DESCRIPTION
		7153749	COOLER ASSEMBLY - R/H Build
1	1	8402387	COOLER (WITHOUT THERMOSTAT)
2	3	8650108	BONDED SEAL
3	4	9143004	SELF-LOCKING NUT
4	4	9100104	FLAT WASHER
5	2	05.434.01	ADAPTOR
6	1	8581129	ADAPTOR
7	1	8581264	ADAPTOR - SWEPT 90°
8	1	43177.64	COOLER LOOM c/w RELAY
9	1	8650104	BONDED SEAL
10	1	G2410452	ADAPTOR

Model: MAG480 Mk4

COOLER KIT (Proportional Model)



Module:
7448732



Model: MAG480 Mk4



COOLER KIT (Proportional Model)

REF.	QTY.	PART No.	DESCRIPTION
		7448732	COOLER KIT ASSEMBLY
1	1	8402379	COOLER c/w THERMO SWITCH AND LOOM
2	1	8402319	COOLER MOUNTING
3	1	21432.01	COOLER MOUNTING PLATE
4	2	8650108	BONDED SEAL
5	4	9313055	SETSCREW
6	4	9143005	SELF-LOCKING NUT
7	8	9143004	SELF-LOCKING NUT
8	4	9213114	BOLT
9	4	9100104	FLAT WASHER
10	2	05.434.01	ADAPTOR
11	2	8581264	ADAPTOR - SWEPT 90°
12	1	10.012.21	HOSE - 1" BSP FS/F90 x 1100mm
13	1	10.012.30	HOSE - 1" BSP FS/F90 x 2000mm

COVERS – Models without Cooler

REF.	QTY.	PART No.	DESCRIPTION
		7153702	COVERS ASSEMBLY (No Cooler Models) - L/H Build
		7153703	COVERS ASSEMBLY (No Cooler Models) - R/H Build
1	1	21723.03	LIGHT BAR - L/H Build
	1	21723.04	LIGHT BAR - R/H Build
2	1	21309.14	TANK COVER - L/H Build
	1	21309.15	TANK COVER - R/H Build
3	5	9100105	FLAT WASHER
4	4	9300154	SOCKET SCREW
5	3	9143005	SELF-LOCKING NUT
6	1	21288.03	GAS SPRING
7	1	9313064	SETSCREW
8	3	9143004	SELF-LOCKING NUT
9	1	46505.01	LITERATURE HOLDER
10	4	21726.31	SPONGE PAD
11	1	21363.02	BLANKING PLATE
12	1	21712.02	REAR COVER - L/H Build
	1	21712.03	REAR COVER - R/H Build
13	1	21880.01	VALVE COVER - L/H Build
	1	21880.02	VALVE COVER - R/H Build
14	3	9100104	FLAT WASHER
15	2	9300161	SOCKET BUTTON SCREW
16	1	21881.02	COVER INSERT
17	1	9100204	SPRING WASHER
18	1	9193004	WING NUT
19	2	43468.10	EDGING
20	3	9300143	BUTTON HEAD CAPSCREW
21	3	9100103	FLAT WASHER
22	3	9143003	SELF-LOCKING NUT
23	1	21305.03	VALVE & COVER SUPPORT

Model: MAG480 Mk4



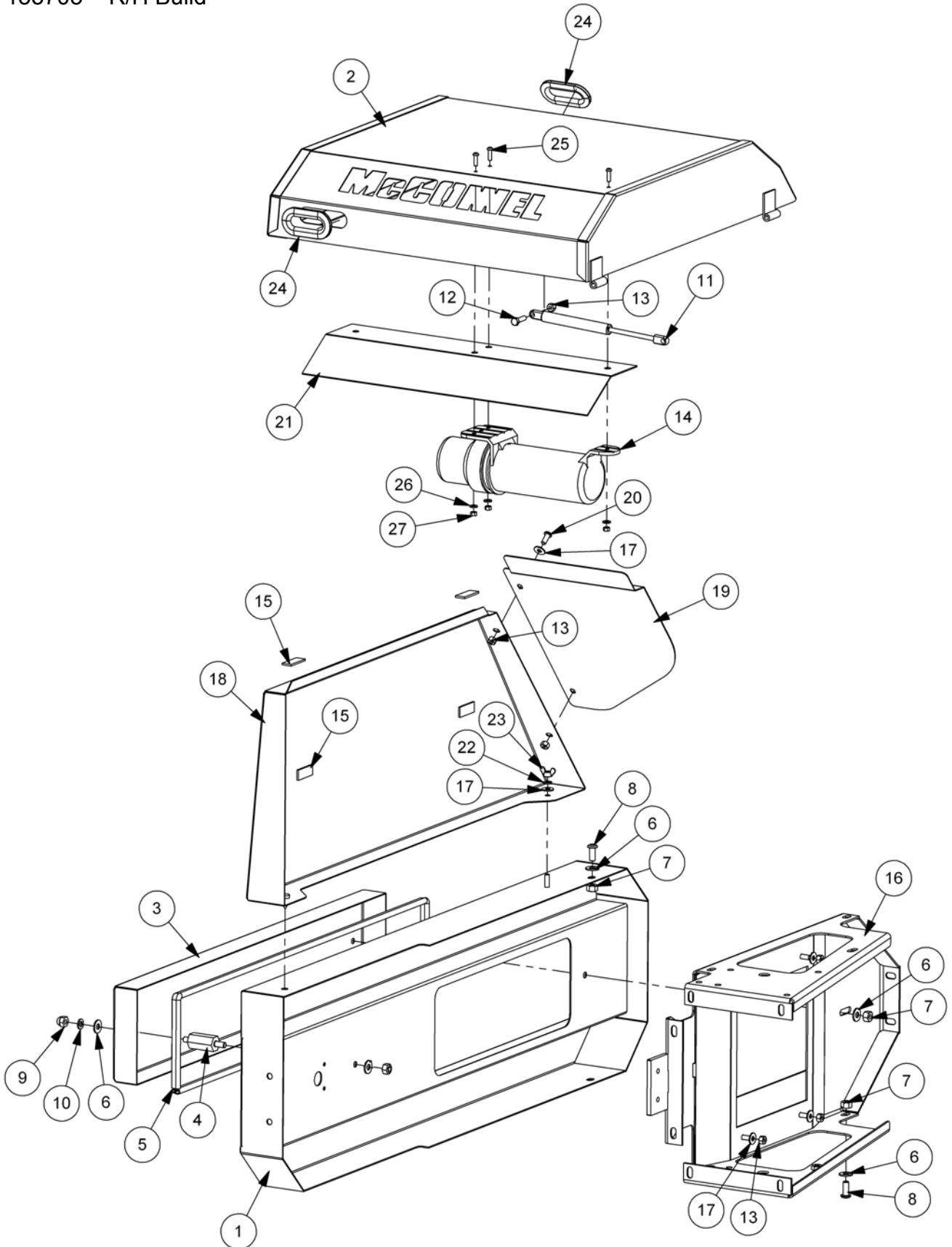
COVERS – Models with Cooler

Modules:

7153704 – L/H Build

7153705 – R/H Build

Illustrated in Left Hand Build



COVERS – Models with Cooler

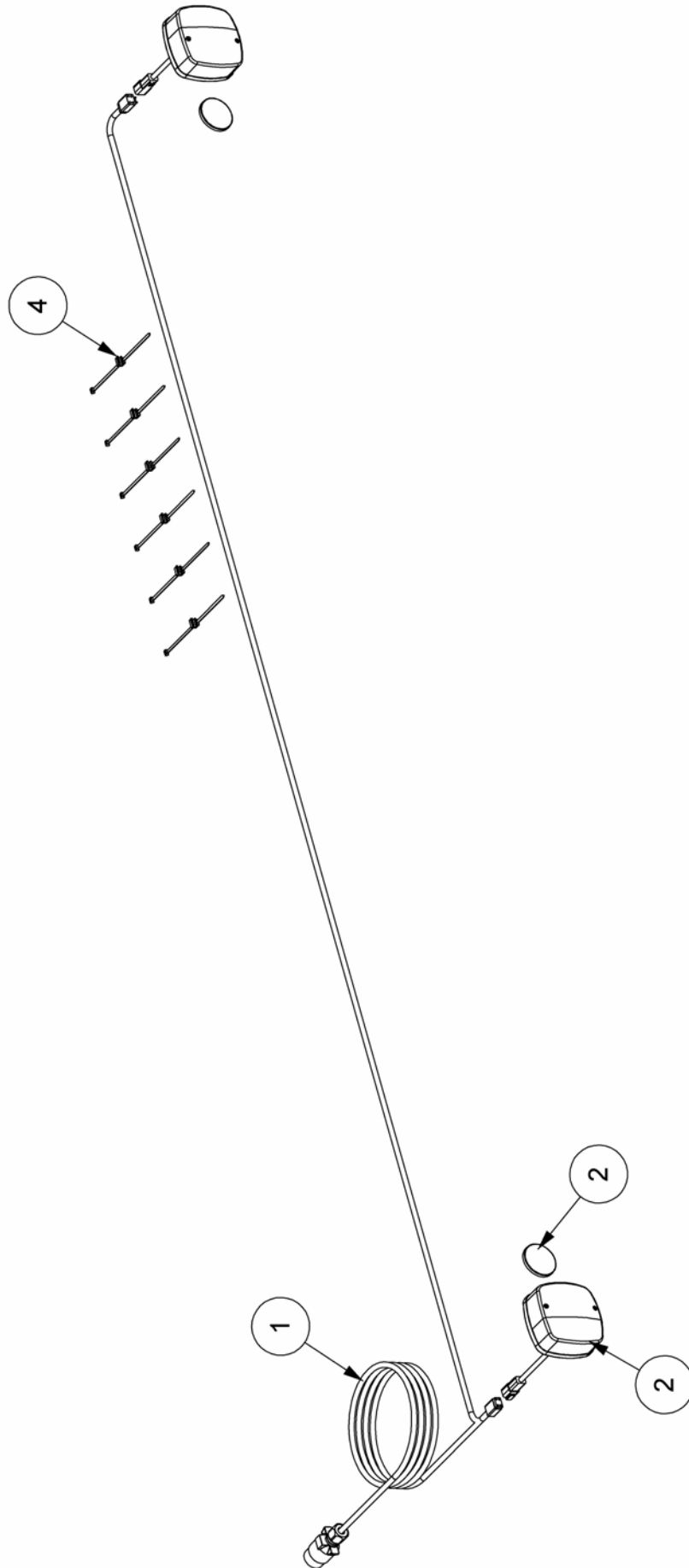
REF.	QTY.	PART No.	DESCRIPTION
		7153704	COVERS ASSEMBLY (Cooler Models) - L/H Build
		7153705	COVERS ASSEMBLY (Cooler Models) - R/H Build
1	1	21723.03	LIGHT BAR - L/H Build
	1	21723.04	LIGHT BAR - R/H Build
2	1	21309.14	TANK COVER - L/H Build
	1	21309.15	TANK COVER - R/H Build
3	1	46046.01	COOLER FILTER BASKET
4	2	46041.01	STAND OFF
5	1	43468.05	EDGING STRIP
6	5	9100105	FLAT WASHER
7	3	9143005	SELF-LOCKING NUT
8	2	9300154	SOCKET SCREW
9	2	9100025	DOME NUT
10	2	9100205	SPRING WASHER
11	1	21288.03	GAS SPRING
12	1	9313064	SETSCREW
13	7	9143004	SELF-LOCKING NUT
14	1	46505.01	LITERATURE HOLDER
15	4	21726.31	SPONGE PAD
16	1	21305.01	COVER MOUNT
17	7	9100104	FLAT WASHER
18	1	21712.02	REAR COVER - L/H Build
	1	21712.03	REAR COVER - R/H Build
19	1	21880.01	VALVE COVER - L/H Build
	1	21880.02	VALVE COVER - R/H Build
20	2	9300161	SOCKET BUTTON SCREW
21	1	21881.02	COVER INSERT
22	1	9100204	SPRING WASHER
23	1	9193004	WING NUT
24	2	43468.10	EDGING
25	3	9300143	BUTTON HEAD CAPSCREW
26	3	9100103	FLAT WASHER
27	3	9143003	SELF-LOCKING NUT

Model: MAG480 Mk4



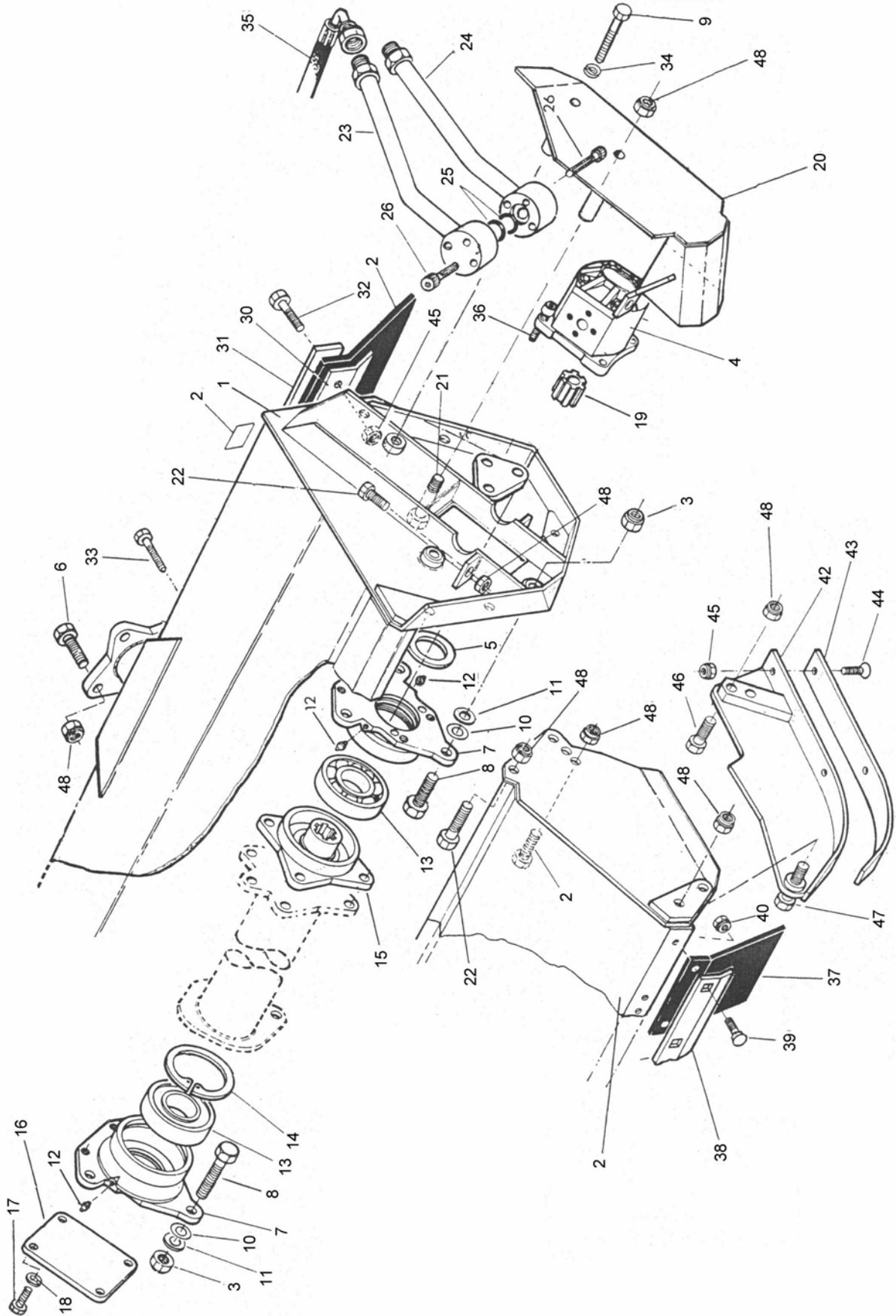
REAR LIGHTING KIT

Module:
7155719



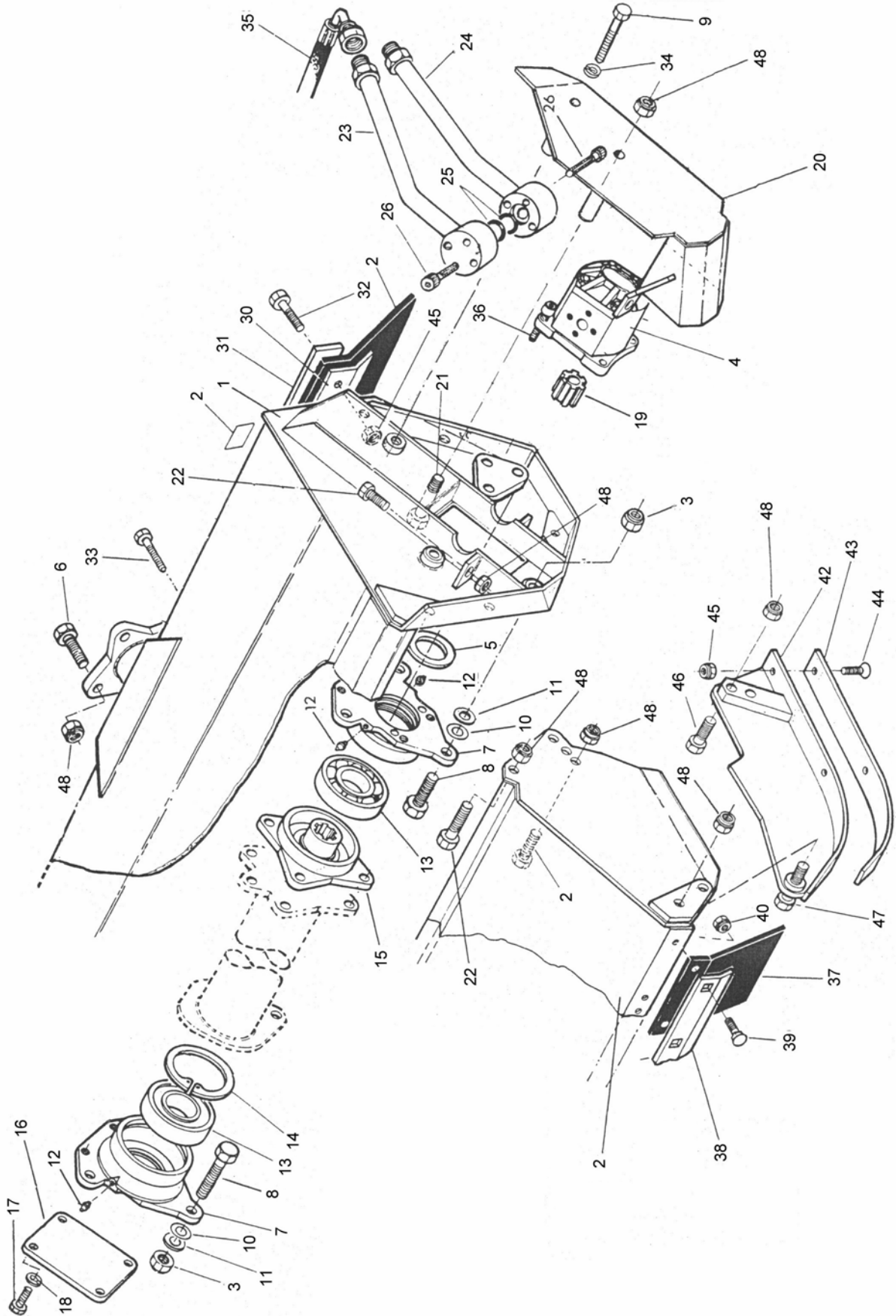
REAR LIGHTING KIT

REF.	QTY.	PART No.	DESCRIPTION
		7155719	REAR LIGHTING KIT ASSEMBLY
		45900.02	REAR LIGHTING KIT - <i>comprising of:</i>
1	1	45656.08	LIGHTING LOOM c/w PLUGS
2	2	45642.02	COMBINATION LAMP
3	2	45671.01	REFLECTOR - SELF ADHESIVE
4	6	21150.01	CABLE TIE - PUSH ON



FLAILHEAD – 1.2m Direct Drive

REF.	QTY.	PART NO.	DESCRIPTION
			FLAIL HEAD CASING - 1.2M DIRECT DRIVE
1	1	7190262	FLAIL CASING
2	1	1335246	SERIAL No. PLATE
3	6	9100024	SPECIAL NUT
4	1	8301282	HYDRAULIC MOTOR
5	1	7190015	MOTOR LOCATING WASHER
6	4	0211186	BOLT
7	2	7190261	BEARING HOUSING
8	6	9200023	SPECIAL BOLT
9	1	0211326	BOLT
10	<i>as req'd</i>	8121043	SHIM .015"
11	<i>as req'd</i>	8121044	SHIM .025"
12	4	0901121	GREASER - STRAIGHT
13	2	0600018	BEARING
14	1	7190022	INTERNAL CIRCLIP
15	2	7190571	ROTOR HUB
16	1	7190444	COVER PLATE
17	4	9313045	SETSCREW
18	4	9100205	SPRING WASHER
19	1	7190573	DRIVE COUPLING
20	1	42282.01	MOTOR COVER
21	1	0211566	BOLT
22	2	0311126	SETSCREW
23	1	7190378	MOTOR PIPE - UPPER
24	1	7190379	MOTOR PIPE - LOWER
25	2	8600121	O RING
26	6	9300014	CAPSCREW
27	1	7190288	FRONT HOOD
28	2	0311106	SETSCREW
29	1	7190314	REAR FLAP
30	1	7190312	MOUNTING STRIP
31	1	7190313	CLAMP STRIP
32	7	9313065	SETSCREW
33	2	9313075	SETSCREW
34	1	0100206	SPRING WASHER
35	2	8501154	HOSE - 1" BSP x 42" LONG
36	4	9300144	CAPSCREW
		8699236	SEAL KIT FOR HYDRAULIC MOTOR
		8629209	SHAFT SEAL

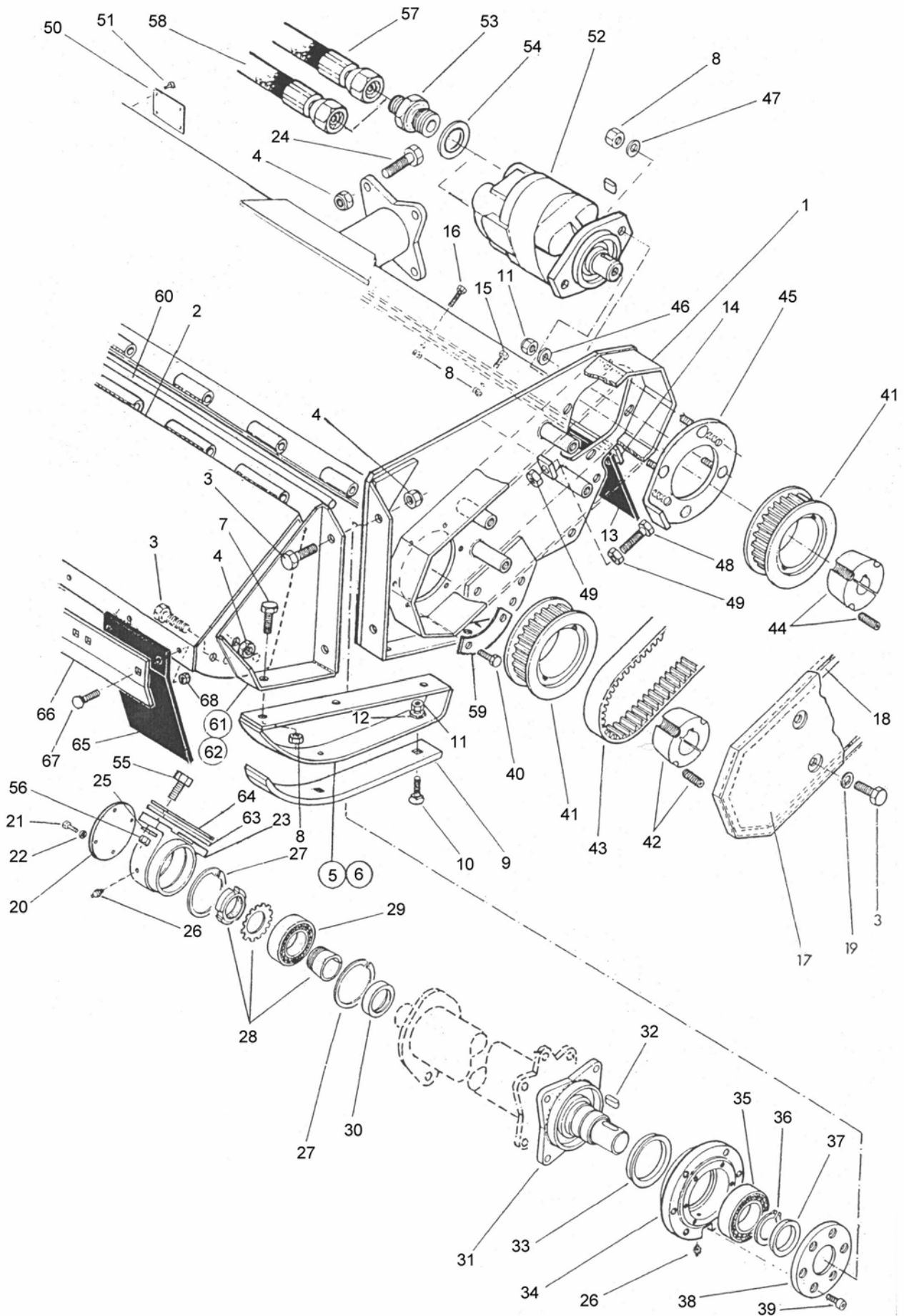


FLAILHEAD – 1.2m Direct Drive

REF.	QTY.	PART NO.	DESCRIPTION
			FLAIL HEAD CASING - 1.2M DIRECT DRIVE
		7290375	FRONT FLAP KIT - <i>comprising of:</i>
37	8	7290053	FLAP
38	1	7190304	FLAP CLAMP STRIP
39	16	9293054	CUP SQUARE BOLT
40	16	9143004	SELF LOCKING NUT
		7190421	SKID KIT - <i>comprising of:</i>
41	1	7190300	SKID (RIGHT HAND) - <i>not illustrated</i>
42	1	7190301	SKID (LEFT HAND)
43	1	7314323	WEAR SKID
44	6	9313065	SETSCREW - COUNTERSUNK
45	15	9143005	SELF LOCKING NUT
46	2	0311146	SETSCREW
47	2	0311086	SETSCREW
48	15	0141006	SELF LOCKING NUT

Model: MAG480 Mk4

FLAILHEAD – 1.2m Belt Drive



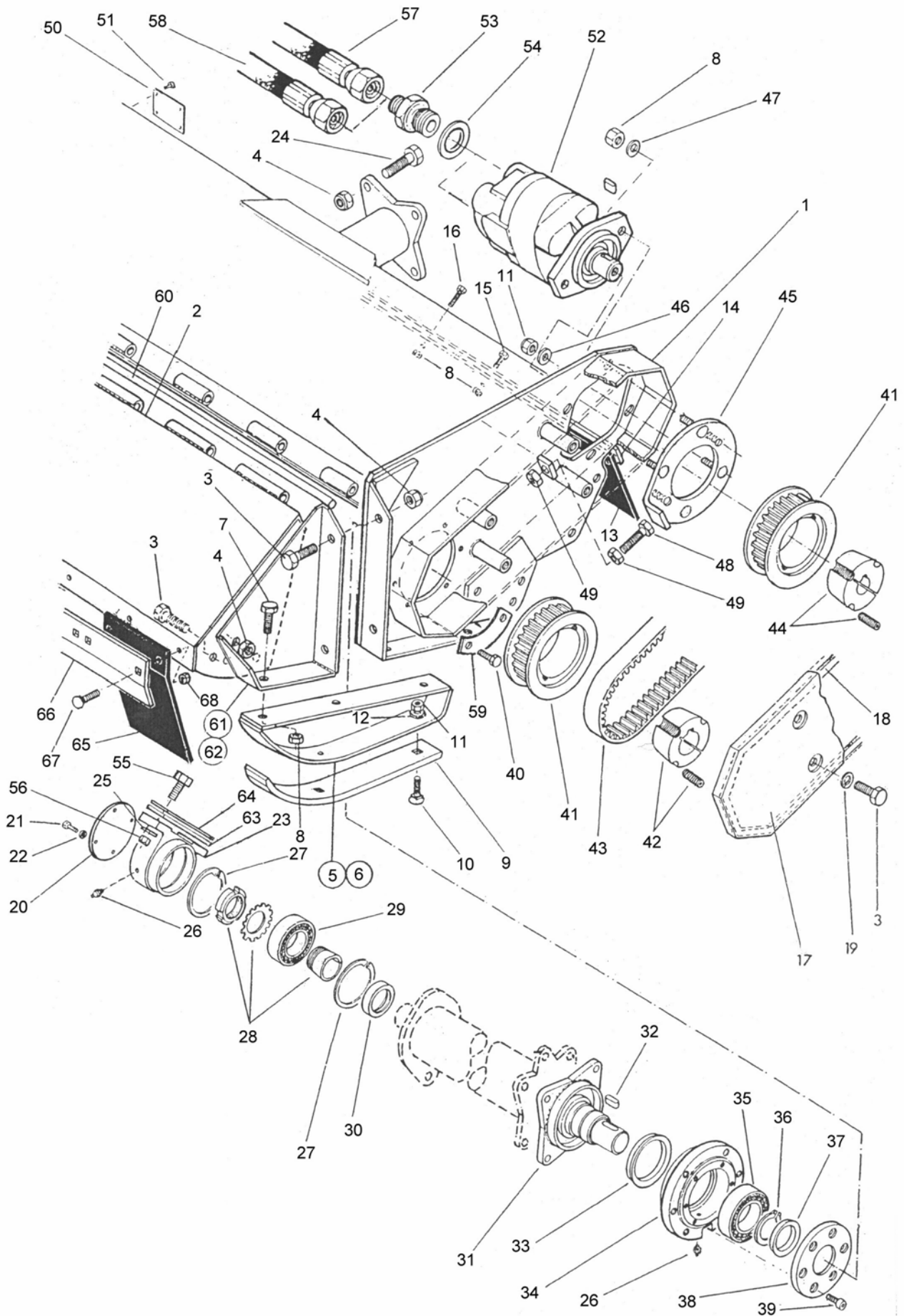
FLAILHEAD – 1.2m Belt Drive

REF.	QTY.	PART NO.	DESCRIPTION
			FLAIL HEAD CASING - 1.2M BELT DRIVE
1	1	7290333	HOOD
2	1	7290386	FRONT HOOD
3	10	0311106	SETSCREW
4	10	0141006	SELF LOCKING NUT
5	1	7290389	SKID (RIGHT HAND)
6	1	7290390	SKID (LEFT HAND)
7	6	9313055	SETSCREW
8	23	9143005	SELF-LOCKING NUT
9	2	7290391	WEAR SKID
10	6	6012034	TINE BOLT
11	10	0142004	SELF-LOCKING NUT
12	6	0100104	PLAIN WASHER
13	1	7290348	REAR FLAP
14	1	7290347	CLAMP STRIP
15	6	9313065	SETSCREW
16	3	9313075	SETSCREW
17	1	7290343	BELT COVER
18	1	7290052	SEAL STRIP
19	4	0100206	SPRING WASHER
20	1	7290042	BEARING COVER - FREE END
21	4	9313033	SETSCREW
22	4	9100203	SPRING WASHER
23	1	7290322	BEARING HOUSING
24	4	0211186	BOLT
25	2	1065077	SPECIAL WASHER
26	2	0901121	GREASER - STRAIGHT
27	2	7290056	INTERNAL CIRCLIP
28	1	0600097	ADAPTOR SLEEVE ASSEMBLY
29	1	0600096	BEARING - FREE END
30	1	7290013	BEARING ADAPTOR
31	1	7290323	DRIVE HUB
32	1	7290017	KEY
33	1	7290048	SEAL
34	1	7290321	BEARING HOUSING - DRIVE END
35	1	0600095	BEARING - DRIVE END
36	1	0401255	EXTERNAL CIRCLIP
37	1	7290049	SEAL
38	1	7290023	BEARING RETAINER
39	6	9343034	CAPSCREW
40	6	9313045	SETSCREW

continued...

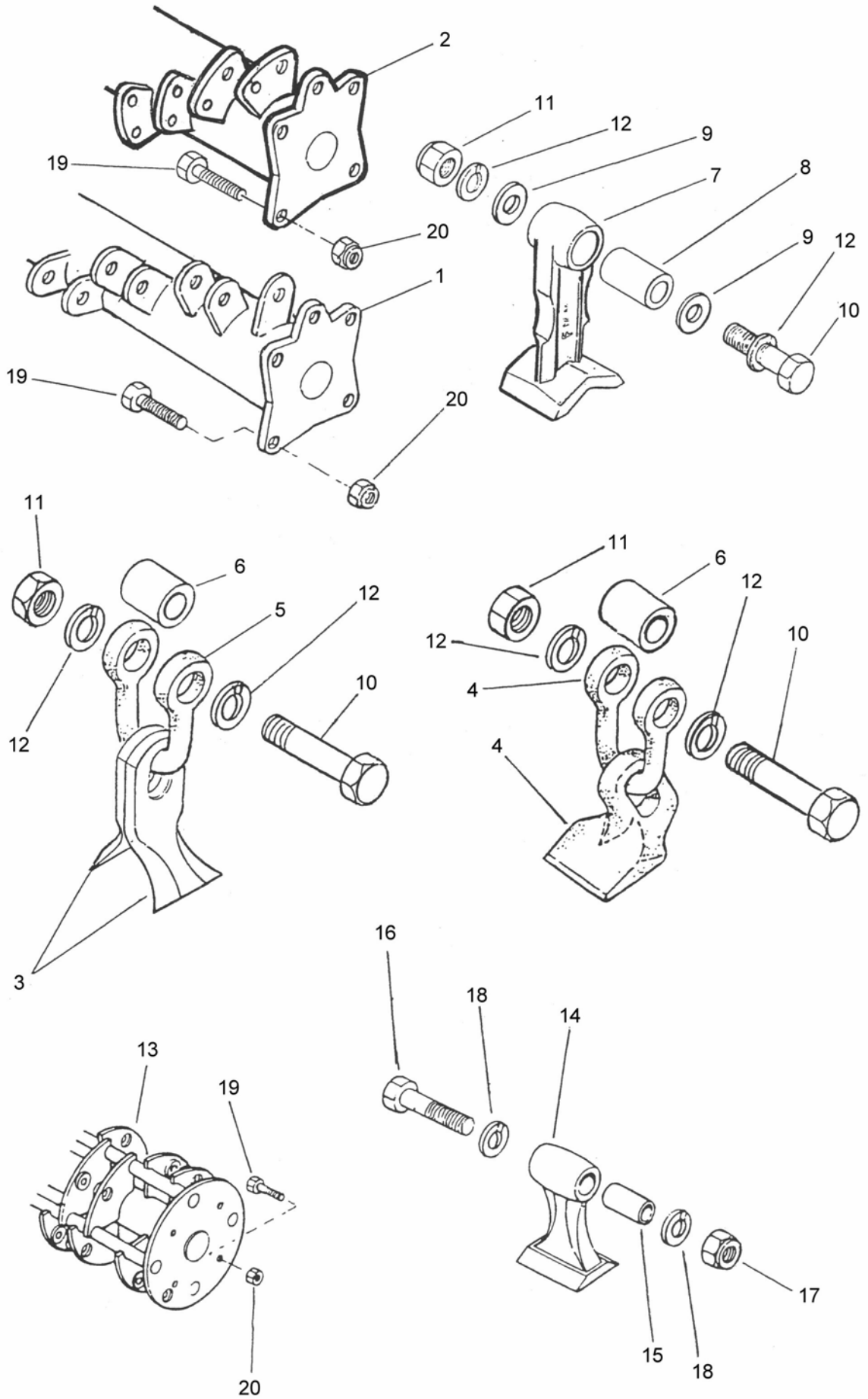
Model: MAG480 Mk4

FLAILHEAD – 1.2m Belt Drive



FLAILHEAD – 1.2m Belt Drive

REF.	QTY.	PART NO.	DESCRIPTION
			FLAIL HEAD CASING - 1.2M BELT DRIVE
			<i>...continued</i>
41	2	7290047	DRIVE SPROCKET
42	1	7290016	TAPER LOCK DRIVE BUSH
43	1	7290046	BELT
44	1	05.424.07	TAPER LOCK DRIVE BUSH
45	1	7290426	MOTOR MOUNTING PLATE
46	4	7290051	SPECIAL WASHER
47	2	9100105	PLAIN WASHER
48	1	9313117	BELT ADJUSTER SCREW
49	2	9113007	NUT
50	1	1335246	SERIAL No. PLATE
51	4	7103230	POP RIVET
52	1	43010.03	HYDRAULIC MOTOR
53	2	8002086	ADAPTOR
54	2	8650106	BONDED SEAL
55	2	9200023	SPECIAL BOLT
56	2	9100024	SPECIAL NUT
57	1	8501227	HOSE - 1" BSP SF/135F x 21" LONG
58	1	8501228	HOSE - 1" BSP SF/135F x 22½" LONG
59	3	7290073	TAB WASHER
60	1	7290061	PIVOT ROD
61	1	7290388	HOOD CARRIER BRACKET (LEFT HAND)
62	1	7290387	HOOD CARRIER BRACKET (RIGHT HAND)...
			<i>...not illustrated</i>
63	<i>as req'd</i>	7290425	SHIM 3.0mm
64	<i>as req'd</i>	7290424	SHIM 2.0mm
			7290375 FRONT FLAP KIT
65	8	7290053	FRONT FLAP
66	1	7190304	CLAMP STRIP
67	16	9293054	DOME HEADED COACH BOLT
68	16	9143005	SELF LOCKING NUT
			43010.01 SEAL KIT
			8629223 SHAFT SEAL



ROTORS & FLAILS

REF.	QTY.	PART NO.	DESCRIPTION
1	1	7390270	ROTOR - 24 FLAIL STATIONS
2	1	42636.01	ROTOR - 36 FLAIL STATIONS

The following flails are suitable for use with Rotors 7390270 and 42636.01

Note: Quantities are per flail station

3	2	41654.01	FLAIL
4	1	7190462	FLAIL
5	1	7390013	SHACKLE
6	1	7390018	SPACER SLEEVE
7	1	7314366	FLAIL
8	1	7314223	PIVOT BOSS
9	2	7390005	SPACER SLEEVE
10	1	7390006	SPECIAL BOLT
11	1	0141006	SELF LOCKING NUT
12	2	0100206	SPRING WASHER

13 1 7190465 ROTOR - OMEGA

The following are used with Rotor 7190465

14	20	8190464	FLAIL
15	20	7190117	BUSH
16	20	7390006	SPECIAL BOLT
17	20	0141006	SELF LOCKING NUT
18	20	0100206	SPRING WASHER

The following are used with all rotors

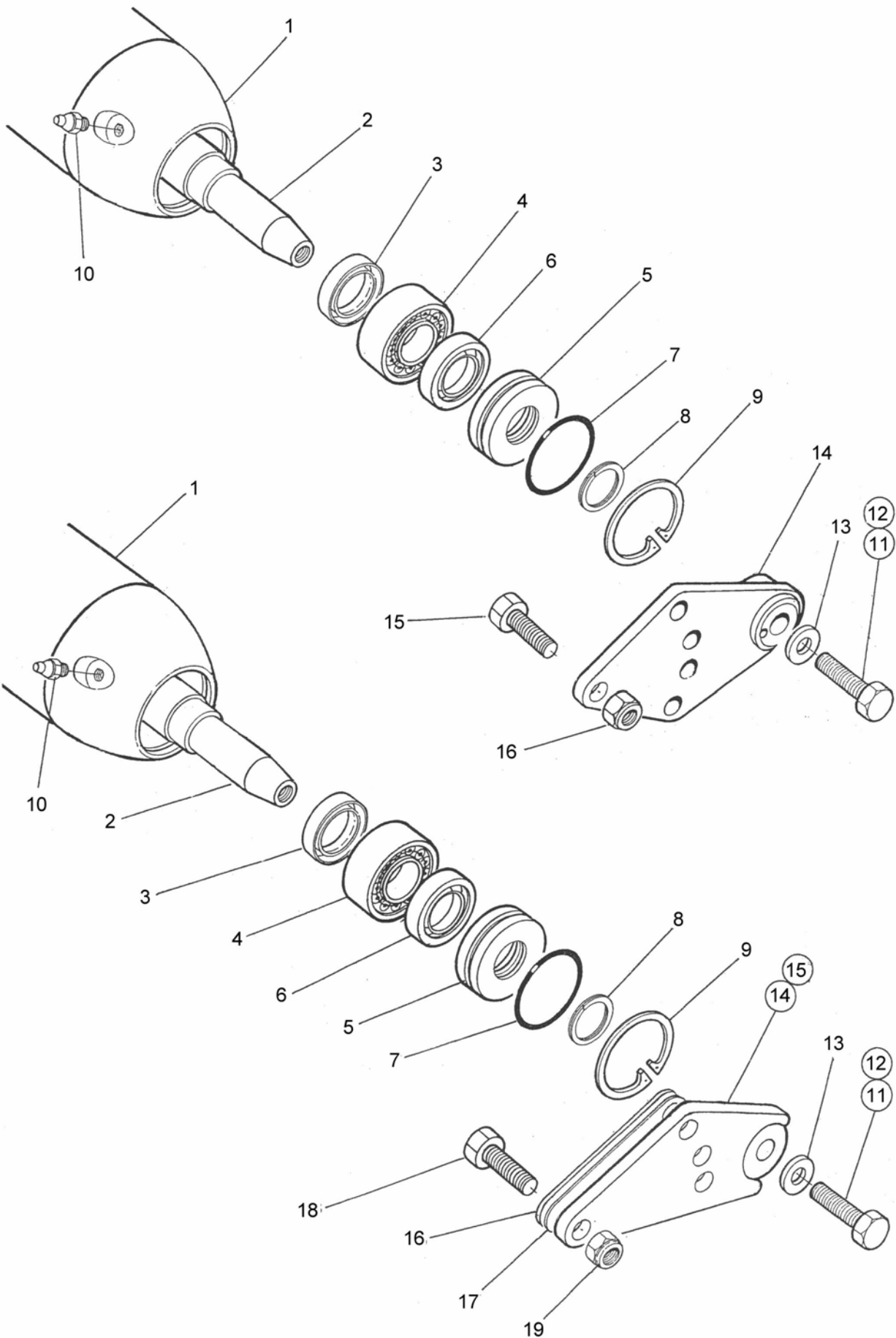
19	2	9200025	SPECIAL BOLT
20	2	9100024	SPECIAL NUT

ROTOR ASSEMBLIES - DIRECT DRIVE

7190501	ROTOR ASSEMBLY 24 STATION - HEDGE
7190502	ROTOR ASSEMBLY 24 STATION - GRASS
7190503	ROTOR ASSEMBLY 24 STATION - UNIVERSAL
7190581	ROTOR ASSEMBLY 36 STATION - HEDGE
7190582	ROTOR ASSEMBLY 36 STATION - GRASS
7190583	ROTOR ASSEMBLY 36 STATION - UNIVERSAL
7190471	ROTOR ASSEMBLY - OMEGA

ROTOR ASSEMBLIES - BELT DRIVE

7390271	ROTOR ASSEMBLY 24 STATION - HEDGE
7390272	ROTOR ASSEMBLY 24 STATION - GRASS
7390273	ROTOR ASSEMBLY 24 STATION - UNIVERSAL
7390319	ROTOR ASSEMBLY 36 STATION - HEDGE
7390320	ROTOR ASSEMBLY 36 STATION - GRASS
7390321	ROTOR ASSEMBLY 36 STATION - UNIVERSAL
7190498	ROTOR ASSEMBLY - OMEGA



ROLLER ASSEMBLIES

REF.	QTY.	PART NO.	DESCRIPTION
		42241.25	DIRECT DRIVE HEADS
1	1	42241.10	ROLLER
2	1	42242.04	ROLLER AXLE
3	2	8629181	SEAL
4	2	0600099	BEARING
5	2	7390011	SEAL CARRIER
6	2	8629125	SEAL
7	2	8600422	O RING
8	2	0412120	SPRING RING
9	2	0411262	CIRCLIP - INTERNAL
10	2	0901121	GREASER - STRAIGHT
11	1	9300150	SPECIAL SETSCREW - LEFT HAND
12	1	9300149	SPECIAL SETSCREW - RIGHT HAND
13	2	42503.02	SPECIAL WASHER
14	2	42246.03	ROLLER BRACKET
15	4	0211186	BOLT
16	4	0141006	SELF-LOCKING NUT
		42241.24	BELT DRIVE HEADS
1	1	42241.10	ROLLER
2	1	42242.04	ROLLER AXLE
3	2	8629181	SEAL
4	2	0600099	BEARING
5	2	7390011	SEAL CARRIER
6	2	8629125	SEAL
7	2	8600422	O RING
8	2	0412120	SPRING RING
9	2	0411262	CIRCLIP - INTERNAL
10	2	0901121	GREASER - STRAIGHT
11	1	9300150	SPECIAL SETSCREW - LEFT HAND
12	1	9300149	SPECIAL SETSCREW - RIGHT HAND
13	2	42503.02	SPECIAL WASHER
14	1	42246.01	ROLLER BRACKET - LEFT HAND
15	1	42246.02	ROLLER BRACKET - RIGHT HAND
16	<i>as req'd</i>	42257.02	SHIM 2mm
17	<i>as req'd</i>	42257.01	SHIM 1.2mm
18	4	9313097	SETSCREW
19	4	9143007	SELF LOCKING NUT



PAYEN IMPORT

*Zae du Cèdre Briard,
77320 BETON BAZOCHES,
FRANCAIS
Tél: 01 60 58 53 36
Fax: 01 64 01 05 31*



McCONNEL LIMITED

*Temeside Works, Ludlow,
Shropshire SY8 1JL. England.
Tel: 01584 873131
Fax: 01584 876463
www.mcconnel.com*