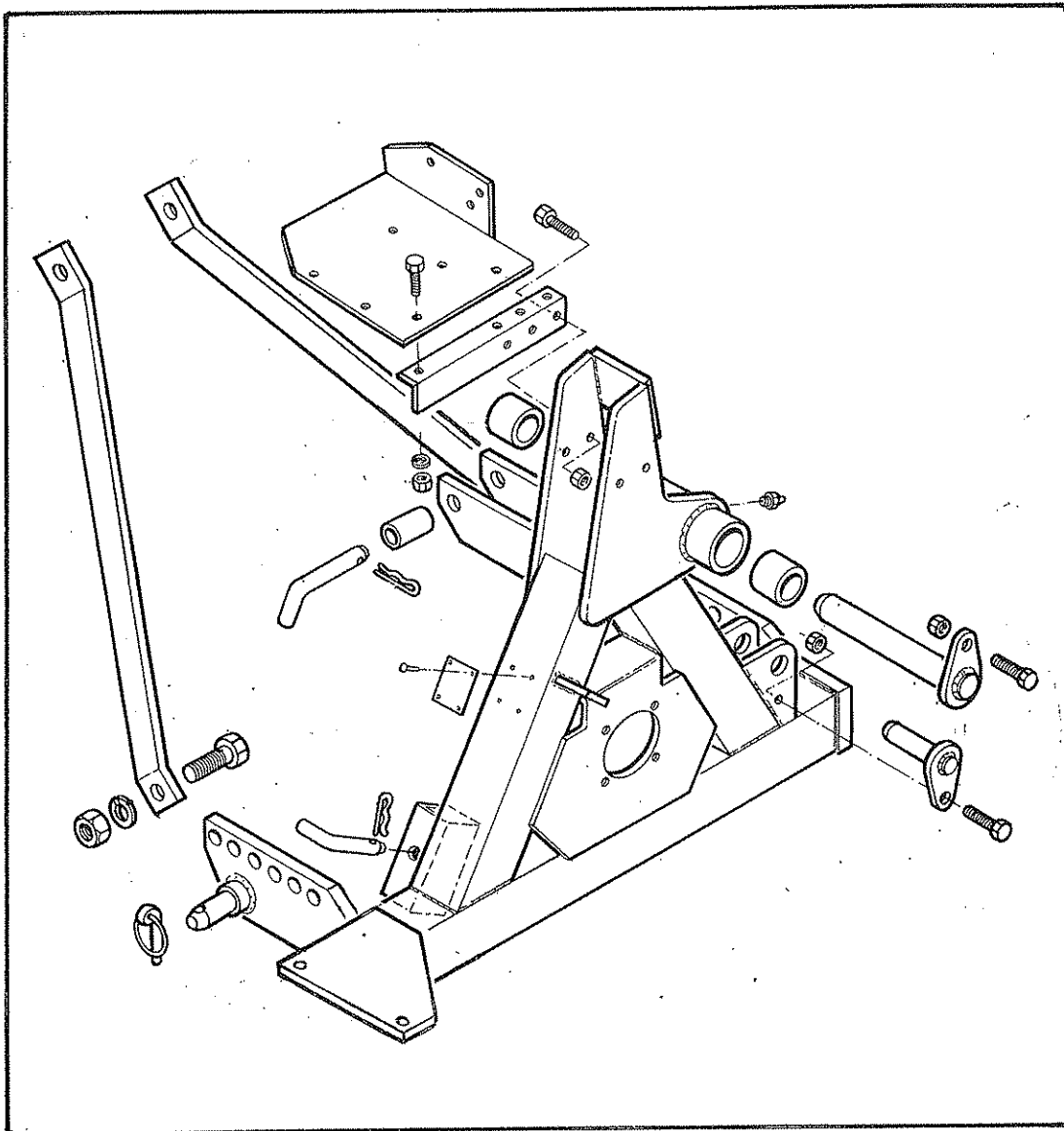


# MAG 390

## Spare parts



## **MANUEL DE PIÈCES DÉTACHÉES**

### **POUR AVOIR LES MEILLEURES PERFORMANCES...**

**UTILISER EXCLUSIVEMENT LES PIÈCES DÉTACHÉES  
McCONNEL**

Pour être certains d'avoir les dernières améliorations apportées, acheter vos pièces de remplacement chez le fabricant d'origine de votre équipement McConnell Ltd, chez votre concessionnaire ou stockiste local.

Donner toujours votre type et numéro de série de machine en même temps que le numéro de la pièce.

Des améliorations de conception peuvent avoir modifié certaines pièces listées dans ce manuel - La pièce la plus récente vous sera toujours fournie si elle est interchangeable avec la plus ancienne.

## NOTES PERSONELLES

# LIST OF CONTENTS

MAIN FRAME ETC .....	Page 1
MAIN ARM .....	Page 3
DIPPER ARM.....	Page 5
FLAIL HEAD CASING .....	Page 7
ROTOR & FLAILS .....	Page 12
CONTROL MOUNTING ASSEMBLY .....	Page 13
CAB GUARD KIT .....	Page 14
HYDRAULIC INSTALLATION .....	Page 15
CONTROL VALVE .....	Page 17
ROTOR CONTROL VALVE .....	Page 19
CONTROL UNIT AND CABLES .....	Page 21
GEARBOX/PUMP ASSYS .....	Page 23
GEARBOX.....	Page 25
HYDRAULIC TANK ASSY.....	Page 27
LIFT FLOAT KIT .....	Page 29
LIFT RAM .....	Page 31
REACH RAM.....	Page 32
BREAKAWAY RAM.....	Page 33
ANGLING RAM.....	Page 34
DECALS .....	Page 35

**FOR NOTES**

# **SPARE PARTS MANUAL**

## **FOR BEST PERFORMANCE....**

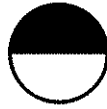
### **USE ONLY McCONNEL SPARE PARTS**

To be assured of the latest design improvements purchase your genuine replacements from the original equipment manufacturer **McConnel Ltd.** through your local dealer or stockist.

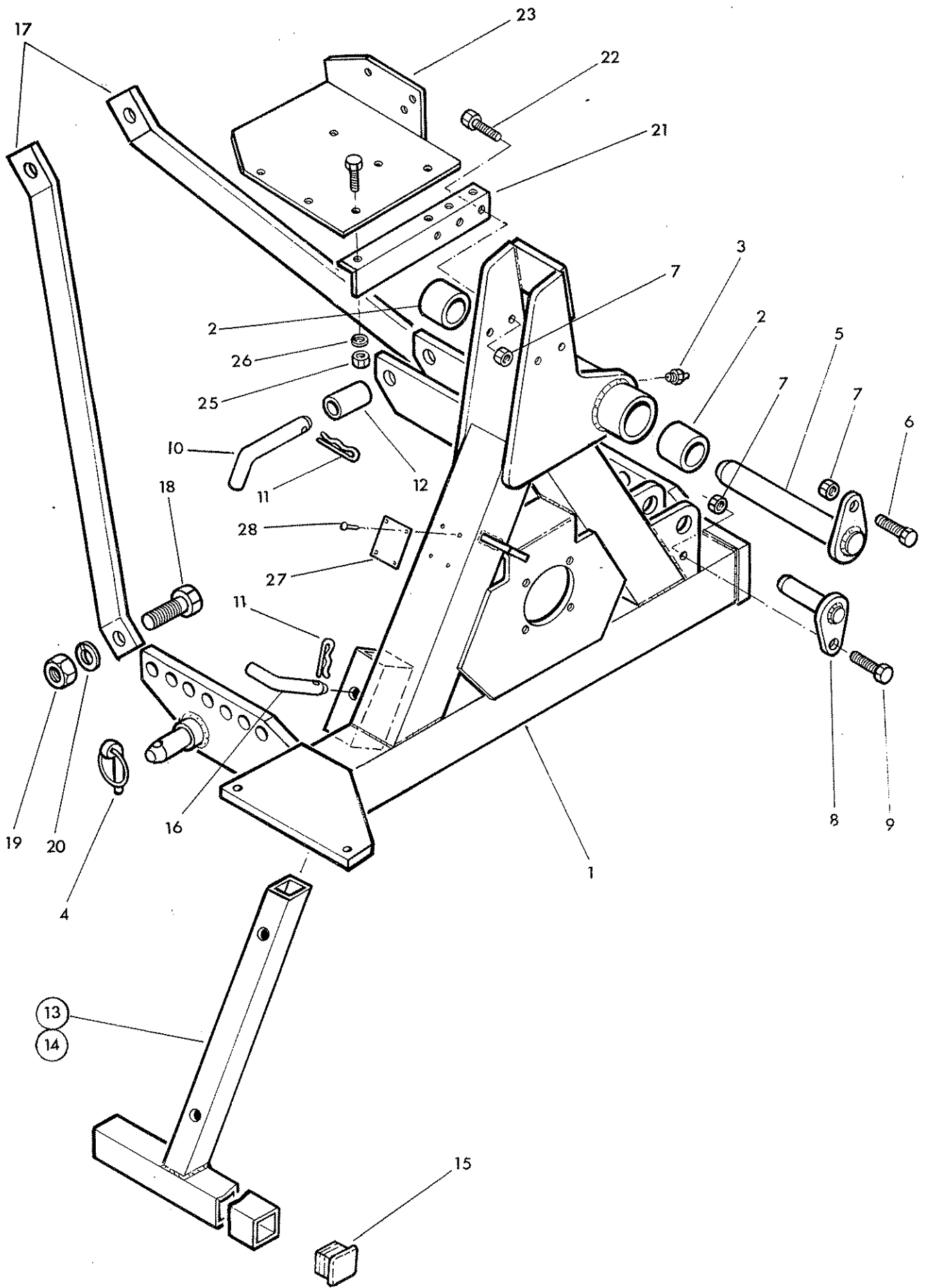
Always quote machine type and serial number as well as the part number.

Design improvement may have altered some of the parts listed in this manual - The latest part will always be supplied when it is interchangeable with an earlier one.

MAIN FRAME



McCONEL

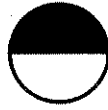




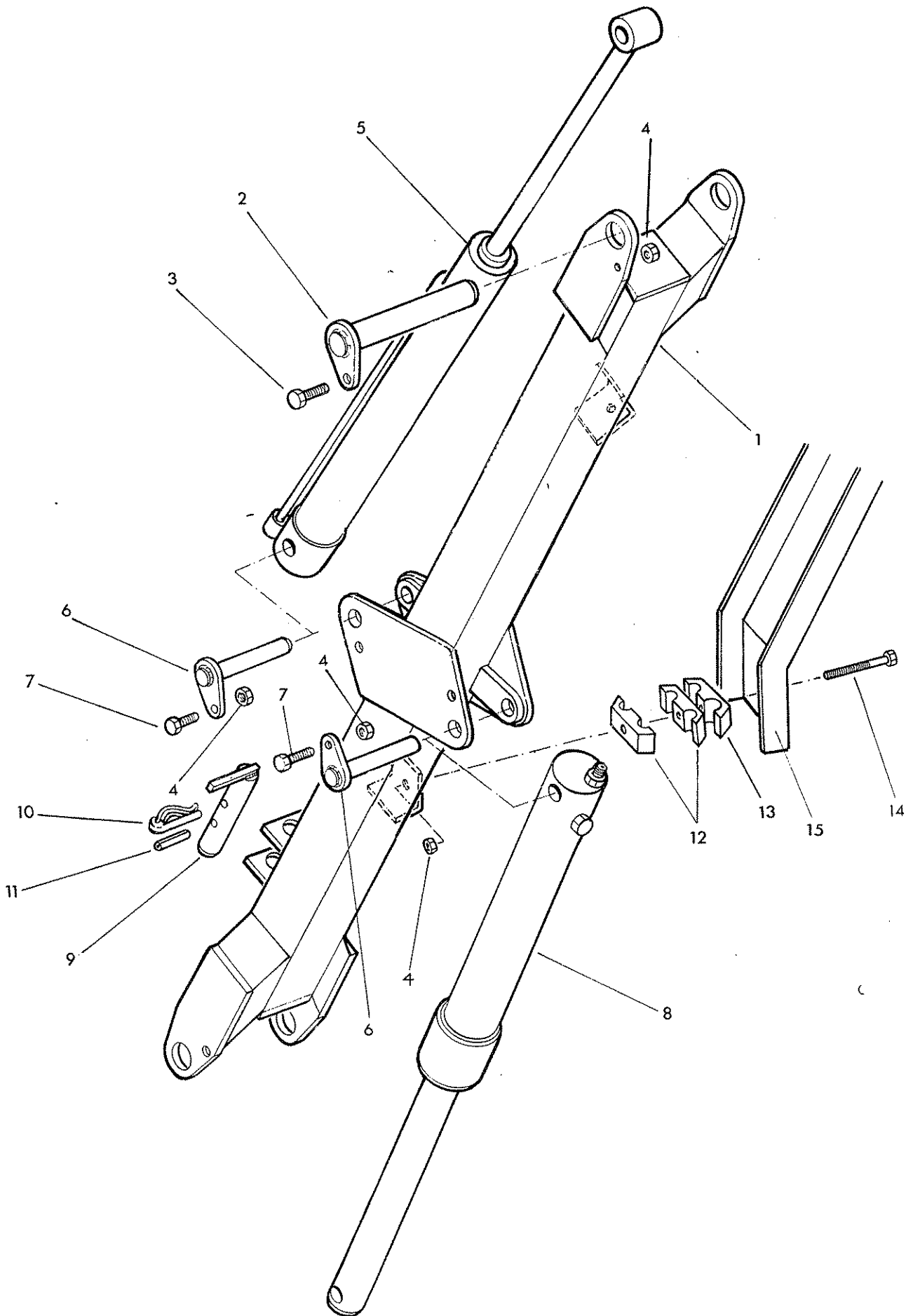
Ref.	Part No.	Qty.	Description
<b>MAIN FRAME AND FITTINGS</b>			
1	71 98 250	1	Main frame
2	72 12 023	2	Bush
3	09 01 121	1	Greaser
4	04 31 217	2	Linch pin
5	71 93 033	1	Pivot pin - Main arm
6	93 13 075	1	Setscrew
7	91 43 005	4	Self locking nut
8	71 98 014	1	Pivot pin - Lift ram rod
9	93 13 065	1	Setscrew
10	71 92 026	1	Pin - Top link
11	04 31 105	2	Spring cotter
12	14 67 063	1	Sleeve
13	71 98 046	1	Stand leg - L. hand
14	71 98 016	1	Stand leg - R. hand
15	71 91 108	2	Bung
16	71 92 023	2	Pin - Stand leg
17	71 91 322	2	Stabiliser
18	93 13 118	2	Setscrew
19	91 13 008	2	Nut
20	91 00 208	2	Spring washer
21	71 91 076	1	Valve mounting bracket
22	92 13 055	2	Bolt
23	71 91 079	1	Valve mounting plate
24	93 13 044	2	Setscrew
25	91 13 004	2	Nut
26	91 00 204	2	Spring washer
27	12 90 055	1	Serial No. plate
28	71 03 230	4	Pop rivet
29	71 14 289	1	P.T.O. drive shaft - not illustrated

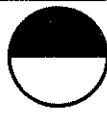


MAIN ARM



McCONEL





Ref.	Part No.	Qty.	Description
<b>MAIN ARM AND FITTINGS</b>			
1	71 98 255	1	Main arm
2	71 91 033	1	Pivot pin - Dipper arm
3	93 13 075	1	Setscrew
4	91 43 005	5	Self locking nut
5	71 98 266	1	Reach ram
6	71 91 038	2	Pivot pin - Reach ram base ,lift ram base
7	93 13 055	2	Setscrew
8	71 98 043	1	Lift ram
9	71 98 017	1	Transport lock pin
10	04 31 216	1	Linch pin
11	04 28 140	1	Spring dowel dia
12	71 90 148	2	Hose clamp
13*	71 93 063	1	Hose clamp
14	92 13 225	1	Bolt
15	71 98 341	1	Hose cover

**\* Assembly note - One clamp half is used at each hose clamping location**



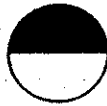


Ref.	Part No.	Qty.	Description
------	----------	------	-------------

## DIPPER ARM AND ANGLING MECHANISM

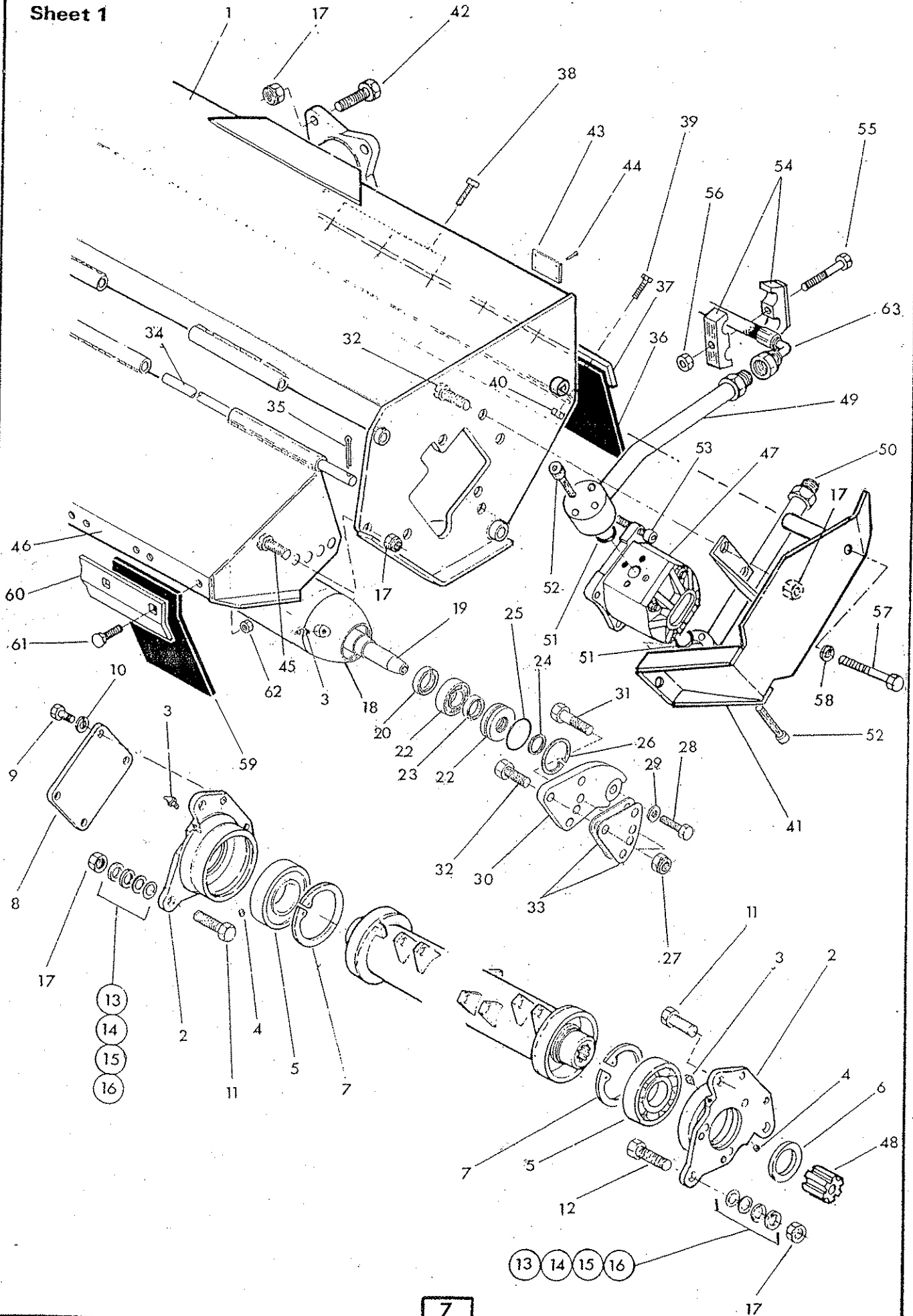
1	71-98-258	1	Dipper arm - upper
2	72-13-023	4	Bush
3	71-91-038	1	Pivot pin - Reach ram rod
4	93-13-055	1	Setscrew
5	91-43-005	7	Self locking nut
6	71-91-036	1	Pivot pin - B/away ram base
7	04-31-105	2	Spring cotter
8	71-98-292	1	Breakaway ram
9	71-98-261	1	Dipper arm - lower
10	71-36-035	2	Bush
11	41690-01	6	Bush
12	71-98-077	2	Hose clamp
13	92-13-134	2	Bolt
14	71-98-015	1	Pivot pin - Dipper lower
15	93-13-075	2	Setscrew
16	71-91-037	1	Pivot pin - B/away ram rod
17	93-13-065	1	Setscrew
18	75-60-344	1	Angle ram
19	71-92-024	1	Pivot pin - Angle ram base
20	95-01-406	4	Split pin
21	74 50 251	1	Radius arm
22	74 50 250	1	Radius arm
23	71-92-309	1	Slave link
24	09-01-121	6	Greaser
25	41693.01	1	Pivot pin Angle ram rod
26	71-92-308	1	Head pivot tube
27	71-92-316	1	Jaw plate
28	04-23-548	1	Spring dowel
29	92-13-185	1	Bolt
30	71-92-009	1	Pivot pin - Slave link
31	02-11-126	1	Bolt
32	02-11-146	1	Bolt
33	01-46-006	2	Self locking nut
34	71-92-321	1	Hose junction bracket
35	93-13-045	2	Setscrew
36	71-93-375	1	Hose tray
37	91-13-004	2	Self locking nut
38	91-00-104	4	Plain washer
39	71-98-334	1	Hose cover
40	71-98-363	1	Transport lock pin

# FLAIL CASING - Direct drive



# WILSON

Sheet 1





Ref.	Part No.	Qty.	Description
<b>1.0 METRE DIRECT DRIVE FLAIL HEAD CASING AND ROLLER</b>			
1	71 98 268	1	Flail casing
2	71 90 261	2	Bearing housing
3	09 01 124	4	Greaser
4	85 82 041	2	Plug
5	06 00 018	2	Ball bearing
6	71 90 015	1	Motor locating washer
7	71 90 022	2	Internal circlip
8	71 90 444	1	Cover plate
9	93 13 045	4	Setscrew
10	91 00 205	4	Spring washer
11	03 11 126	5	Setscrew
12	03 11 146	1	Setscrew
13	81 21 044	as req	Shim
14	81 21 043	as req	Shim
15	71 91 099	as req	Shim
16	71 91 098	as req	Shim
17	01 41 006	14	Self locking nut
	42241.22	1	ROLLER ASSEMBLY
18	42241.12	1	Roller
19	42242.06	1	Axle
20	86 29 215	2	Seal
21	06 00 088	2	Bearing
22	42573.01	2	Seal carrier
23	86 29 216	2	Seal
24	04.12.117	2	Spring ring
25	86 00 422	2	O ring
26	04 11 262	2	Internal circlip
27	91 43 007	4	Self locking nut
28	93 00 149	1	Special screw R hand
	93 00 150	1	Special screw L hand
29	42503.02	2	Special washer
30	42246.05	1	Roller bracket R hand
	42246.04	1	Roller bracket L hand
31	92 13 117	2	Bolt
32	93 13 097	2	Setscrew
33	42257.03	as req	Shim
	42257.04	as req	Shim
34	71 91 094	1	Hood pivot pin
35	95 01 406	1	Split pin

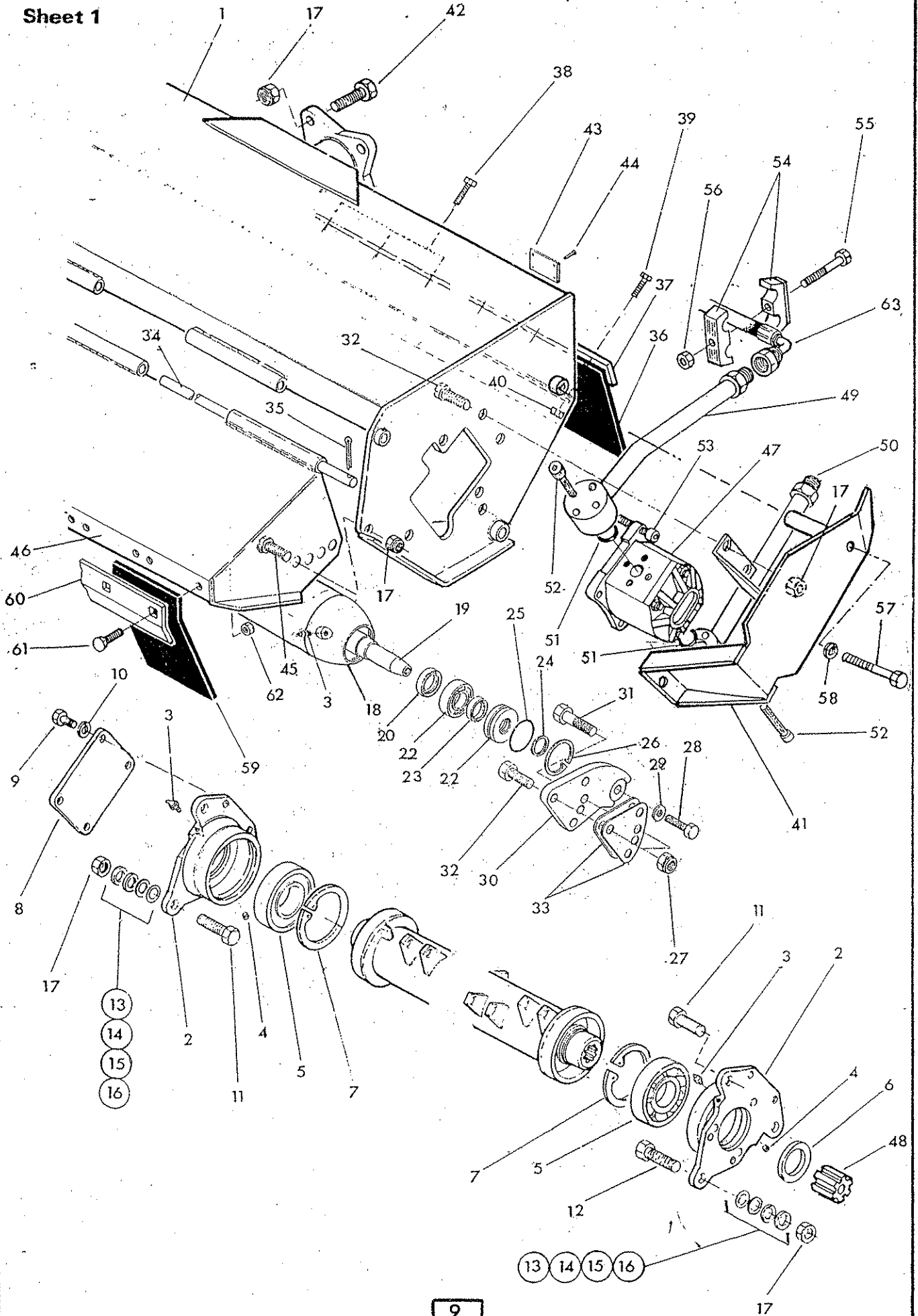
continued

FLAIL CASING - Direct drive



McCONNELL

Sheet 1





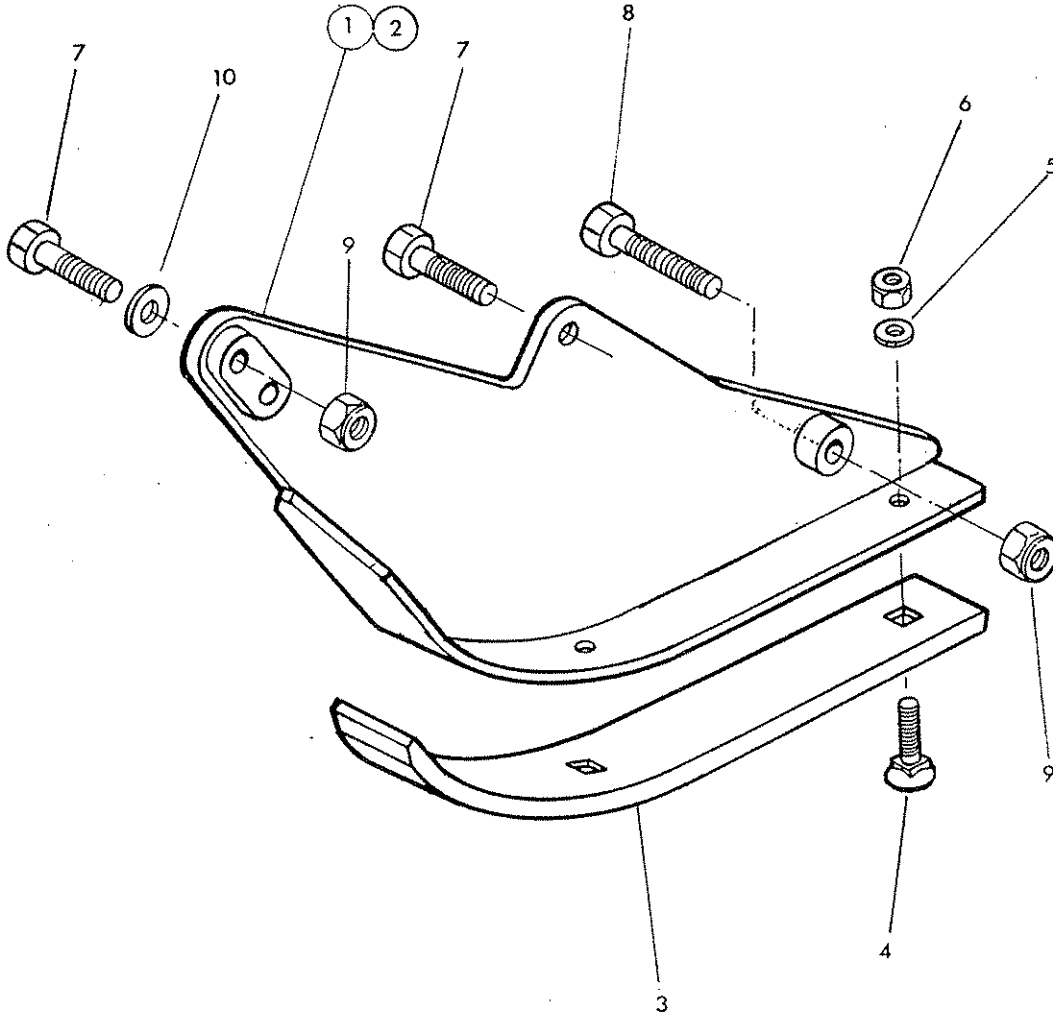
Ref.	Part No.	Qty.	Description
<b>1.0 METRE DIRECT DRIVE FLAIL HEAD CASING AND ROLLER - Continued</b>			
36	71 91 300	1	Rear flap
37	71 91 319	1	Clamp strip
38	93 13 075	3	Setscrew
39	93 13 055	6	Setscrew
40	91 43 005	9	Self locking nut
41	42282-02	1	Motor cover
42	02 11 186	4	Bolt
43	13 35 246	1	Serial No. plate
44	71 03 230	4	Pop rivet
45	03 11 106	4	Setscrew
46	71 91 352	1	Front hood
47	83 01 281	1	Hydraulic motor
48	71 90 573	1	Drive coupling
49	71 90 376	1	Rigid pipe - upper
50	71 90 377	1	Rigid pipe - lower
51	86 00 121	1	O ring
52	93 00 014	6	Capscrew
53	93 00 144	4	Capscrew
54	71 90 148	1	Hose clamp assembly
55	92 13 165	1	Bolt
56	91 43 005	1	Self locking nut
57	02 11 446	1	Bolt
58	01 00 206	1	Spring washer
	<b>71 91 321</b>	<b>1</b>	<b>FRONT FLAP KIT</b>
59	7 90 0	7	Front flap
60	71 90 304	1	Clamp
61	92 93 054	14	Bolt cup square
62	91 43 004	14	Self locking nut

### FLAIL HEADS WITH INBOARD MOTORS

63	85 38 035	2	Hose 3/4" BSP x 38" long
----	-----------	---	--------------------------

	86 99 236		SEAL KIT for hydraulic motor
--	-----------	--	------------------------------



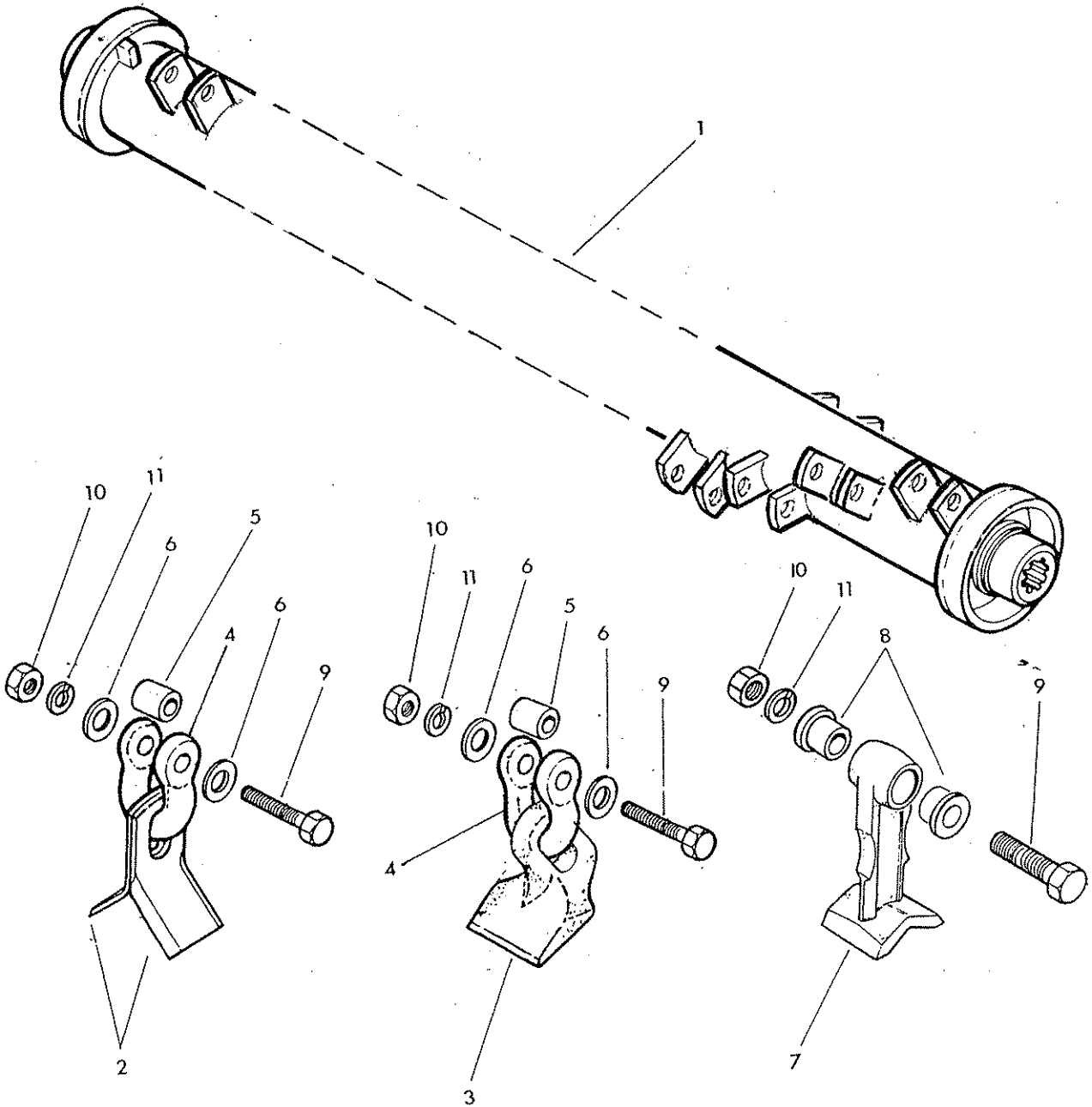


Ref. Part No.

Qty. Description

**SKID KIT - Option**

1	71 98 368	1	Skid - L.Hand
2	71 98 369	1	Skid - R.Hand - not illus.
3	72 90 391	2	Wear skid
4	60 12 034	6	Tine bolt
5	01 00 104	6	Plain washer
6	01 42 004	6	Self locking nut
7	03 11 106	4	Set screw
8	03 11 126	2	Set screw
9	01 41 006	4	Self locking nut
10	01 00 106	2	Plain washer

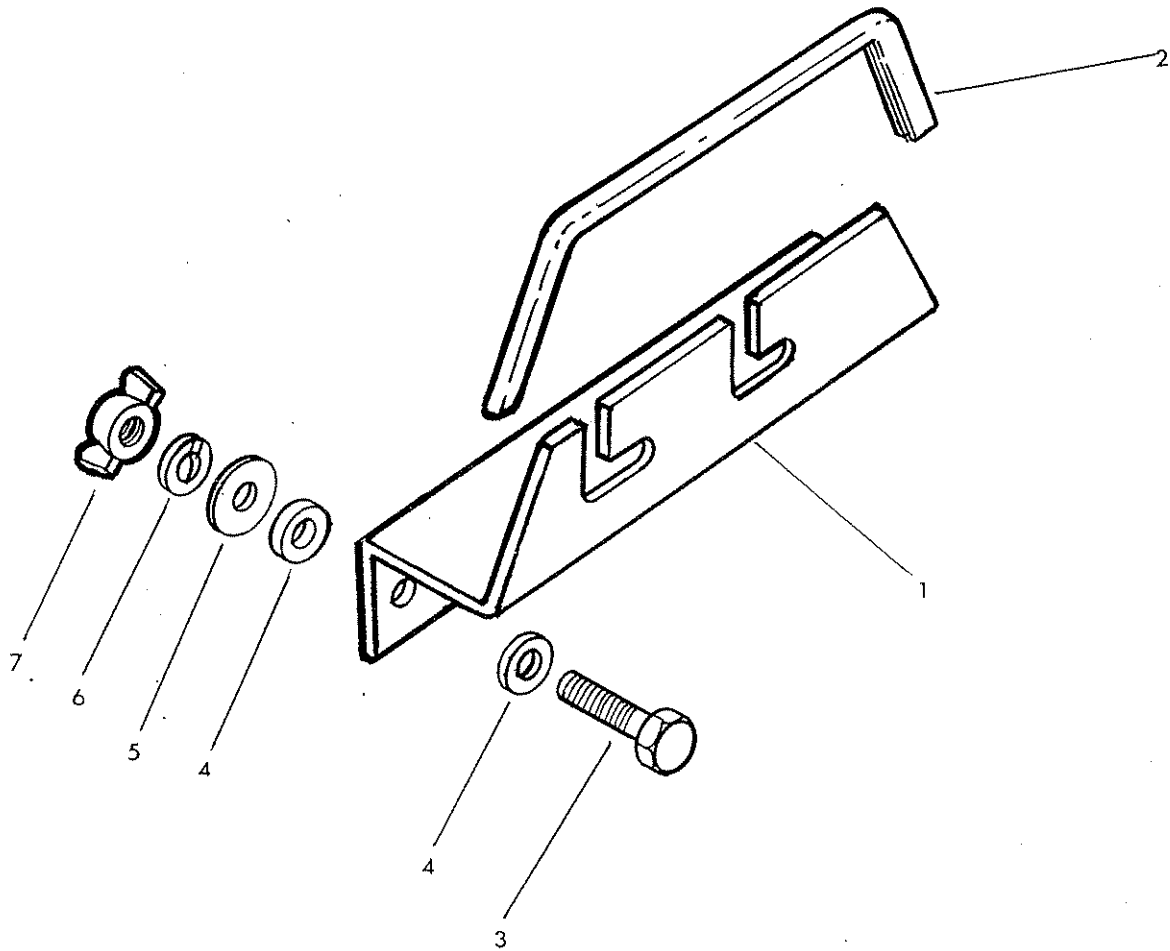


Ref. Part No.

Qty. Description

**ROTORS AND FLAILS**

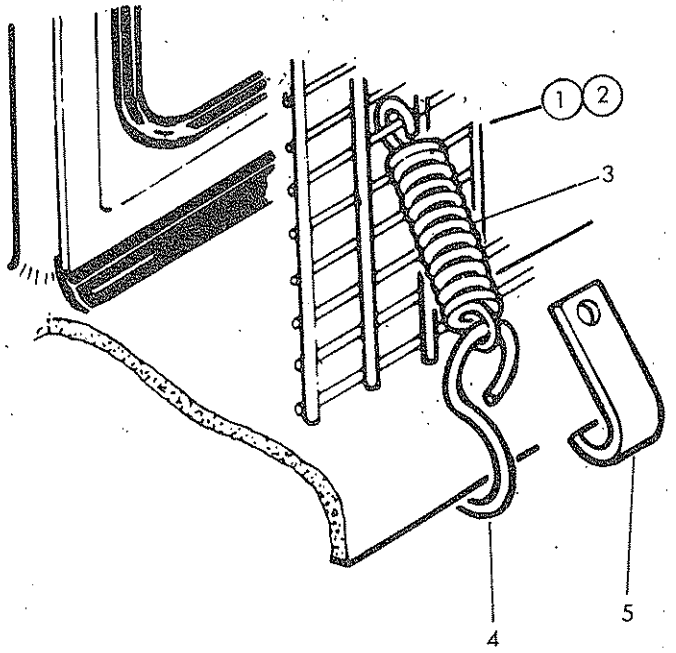
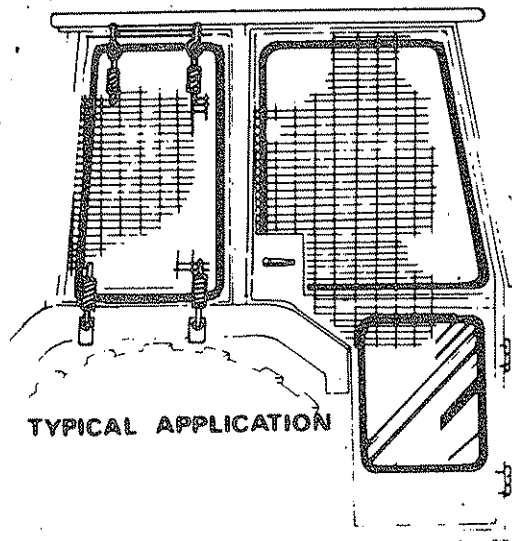
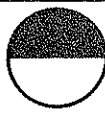
1	71 98 345	1	Rotor
2	71 90 166	40	Flail
3	71 90 462	20	Flail
4	05 895 01	20	Shackle
5	02 807 01	20	Spacer
6	05 281 04	40	Washer
7	71 98 344	20	Flail
8	71 98 087	40	Bush
9	05 775 10	20	Bolt - special
10	05 968 06	20	Nut
11	91 00 207	20	Spring washer



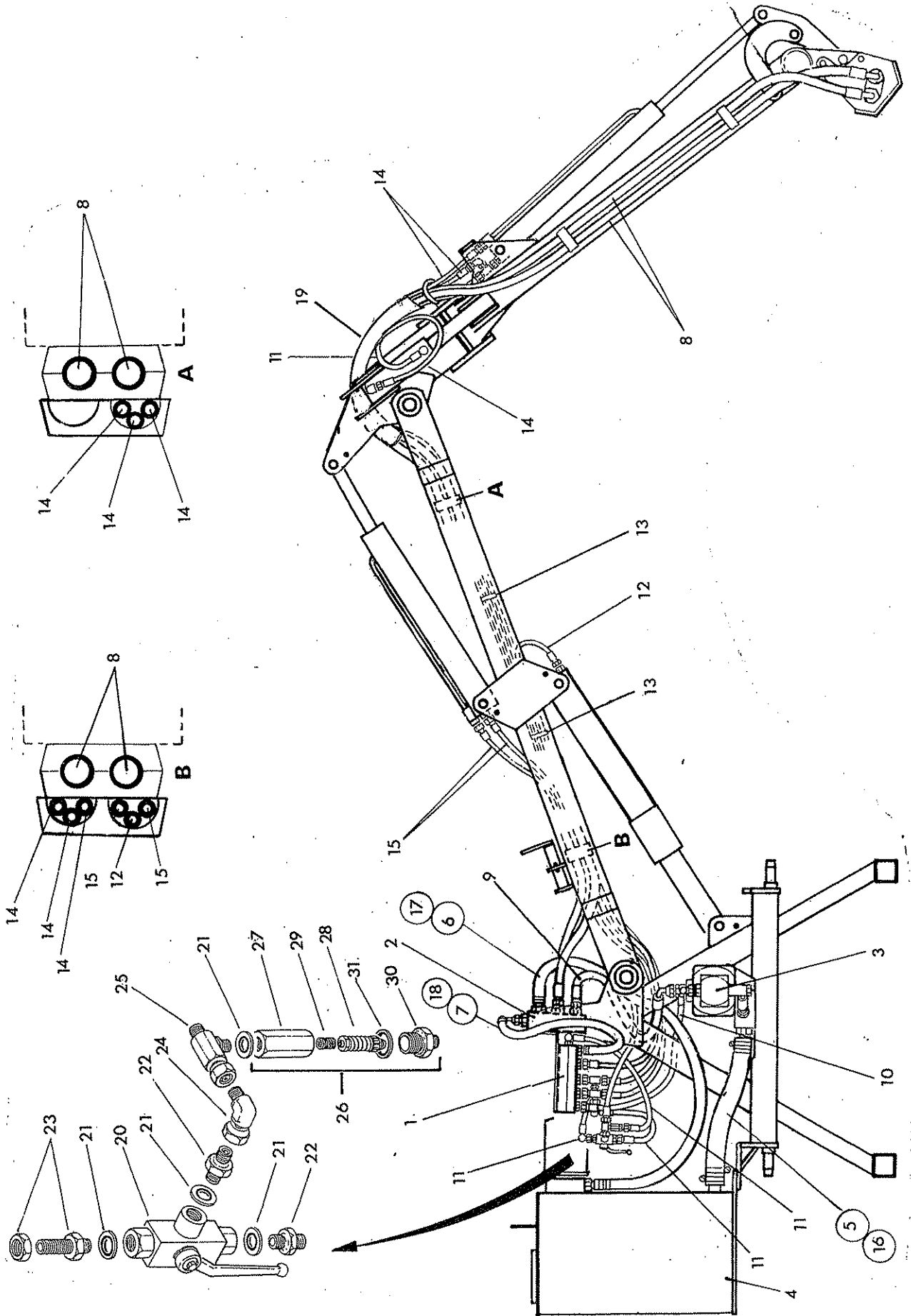
Ref	Part No	Qty	Description
-----	---------	-----	-------------

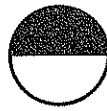
**CONTROL UNIT MOUNTING ASSY**

1	03.583.01	1	Bracket
2	03.231.02	1	Rubber edge strip
3	93 13 094	2	Setscrew
4	03.152.01	4	Rubber washer
5	91 00 104	2	Plain washer
6	91 00 204	2	Spring washer
7	91 93 004	2	Wingnut



Ref.	Part No.	Qty.	Description
	<b>73-13-324</b>		<b>CAB GUARD KIT</b>
1	73-13-049	1	Guard panel - large
2	73-13-050	1	Guard panel - small
3	60-01-064	12	Spring
4	60-01-065	6	Hook
5	73-13-051	6	Hook





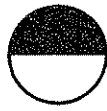
Ref. Part No.

Qty. Description

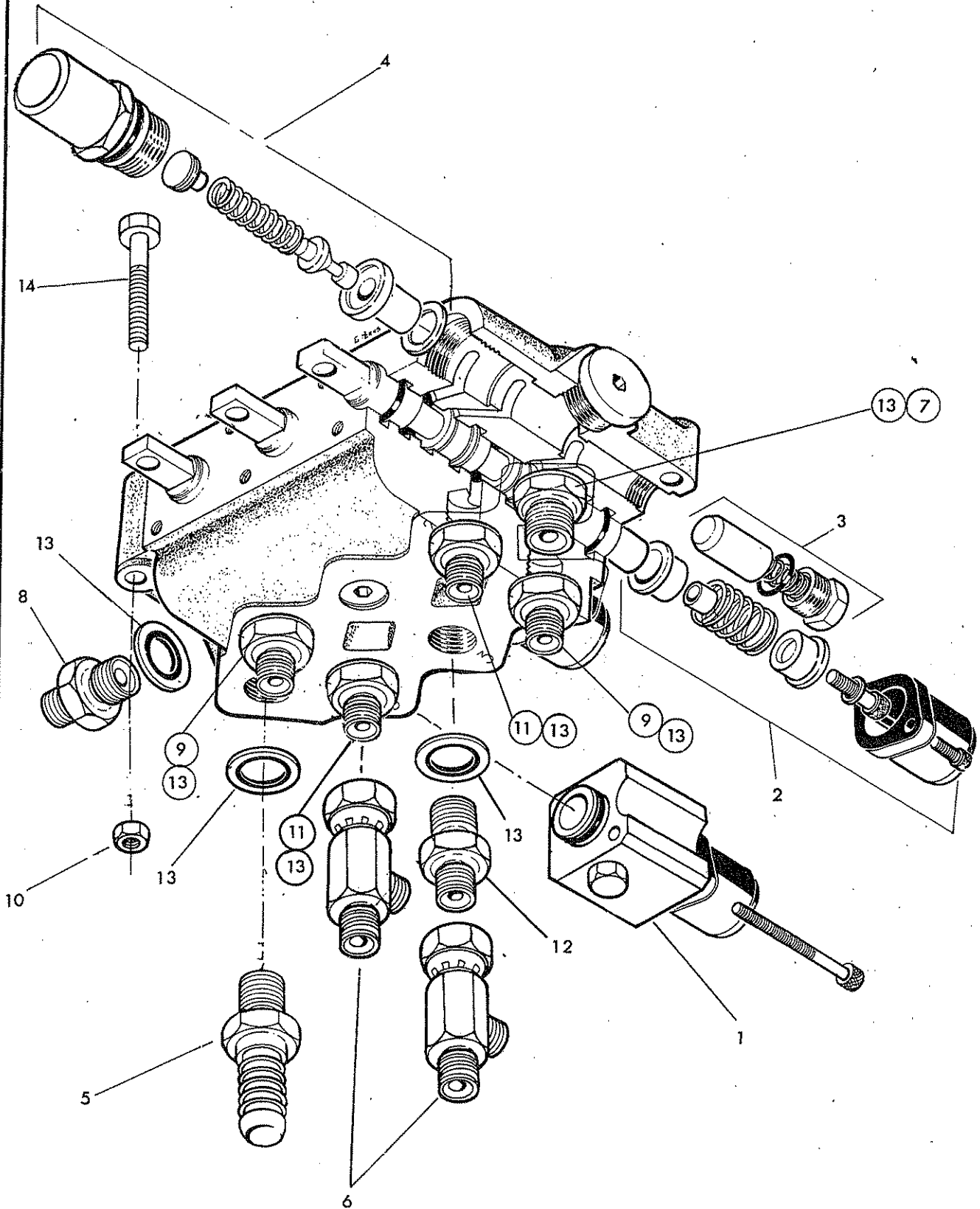
**HYDRAULIC INSTALLATION**

1		1	Control valve
2		1	Rotor control valve
3		1	Pump/gearbox
4		1	Tank
5	85 01 192	1	Hose x 27"long -suction 1 1/2" bore
6	85 00 866	1	Hose x 66"long -return to tank 1" bore
7	85 01 106	1	Hose x 27"long -control valve to rotor control valve
8	85 38 055	2	Hose 3/4" BSP x 186"long -flail motor
9	85 38 025	1	Hose 3/4" BSP x 41" long pump to rotor control valve
10	85 31 403	1	Hose 3/8"BSP x 40"long -pump to control valve
11	85 35 082	4	Hose 1/4" BSP x 34 " long
12	85 15 042	1	Hose 1/4" BSP x 82"long -lift ram
13	71 35 084	6	Hose tie
14	85 15 152	3	Hose 1/4"BSP x 134"long -angle ram +B/away base
15	85 15 062	2	Hose 1/4" BSP x 72" long-reach ram
16	09 04 107	4	Hose clip - 1 1/2" bore
17	09 04 106	4	Hose clip - 1" bore
18	09 04 204	4	Hose clip - 5/8" bore
19	42375 20	1	Hose armour
20	41392 01	1	Diverter
21	86 50 102	4	Bonded seal 1/4 BSP
22	85 81 119	2	Union 1/4 BSP MM
23	71 05 153	1	Bulkhead union 1/4 BSP with locknut
24	85 81 190	1	Swivel elbow 1/4 BSP MF
25	85 81 254	1	Tee piece 1/4 BSP F MM
26	81 30 185	1	Lift service relief valve assy compr:-
27	81 30 156	1	Relief valve housing
28	81 30 029	1	Relief valve
29	81 16 011	1	Spring
30	81 30 083	1	Relief valve body
31	86 50 104	1	Bonded seal 1/2 BSP

ARM CONTROL VALVE - Cable



McCONNEL

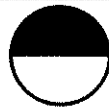




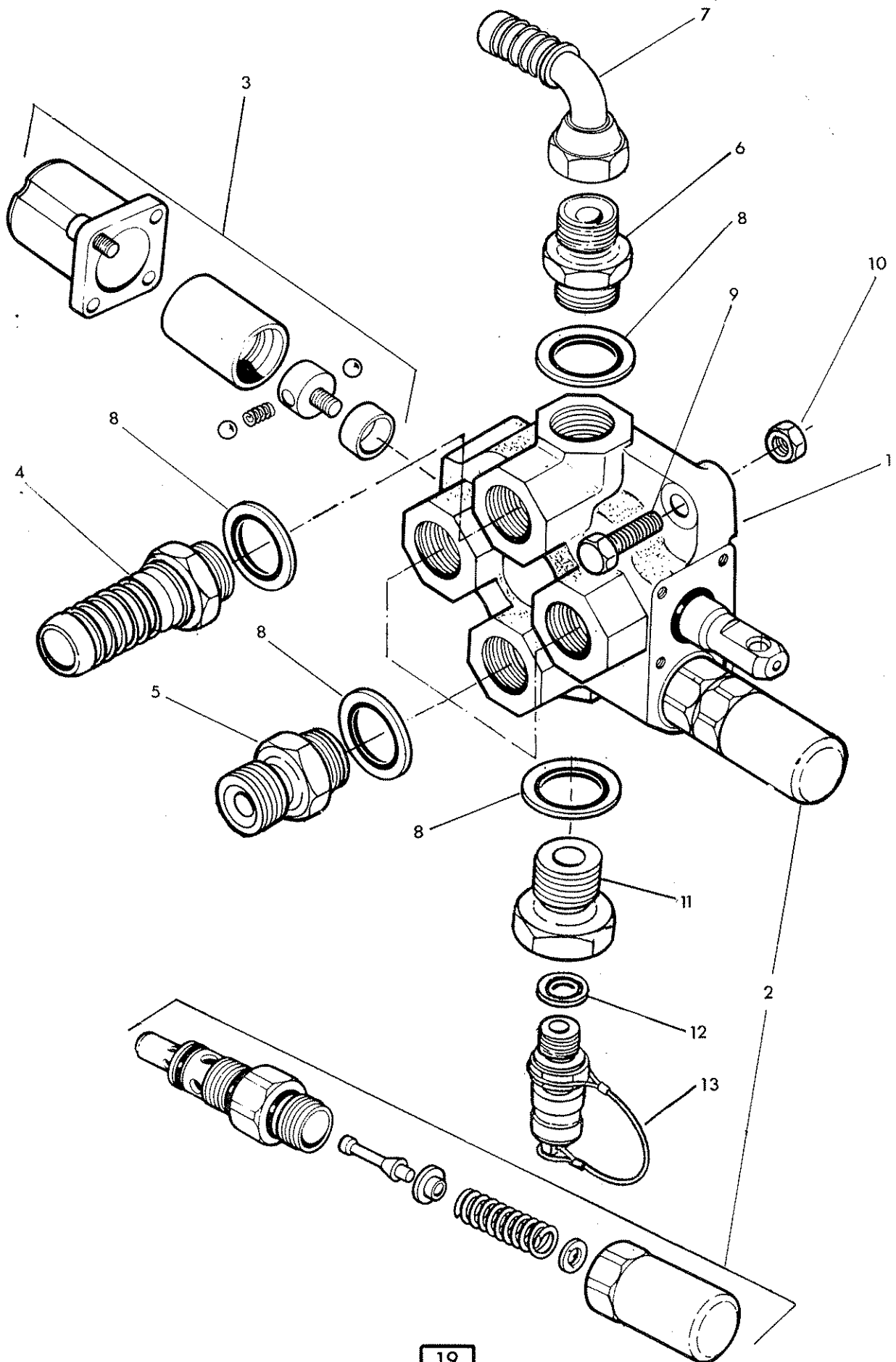
Ref.	Part No.	Qty.	Description
<b>ARM CONTROL VALVE ASSEMBLY</b>			
	81-30-417	1	Valve including
1	81-30-084	1	Centering spring and detent assy-angle
2	81-30-134	2	Centering spring assembly
3	81-30-022	1	Non return valve assembly
4	G381 2539	1	Relief valve assembly 2320 PSI (160 BAR)
5	81-25-008	1	Return connection
6	85-81-254	2	Tee
7	60-00-113	1	Union
8	85-81-115	1	Adaptor
9	81-30-046	2	Restrictor union A
10	91-13-004	3	Self locking nut M8
11	81-30-066	2	Restrictor union M
12	81-30-048	1	Restrictor union C
13	86-50-103	8	Bonded seal
14	92-13-124	3	Bolt
	<b>86-99-163</b>		<b>SEAL KIT</b>

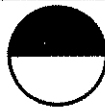


ROTOR CONTROL VALVE



**McCORMICK**



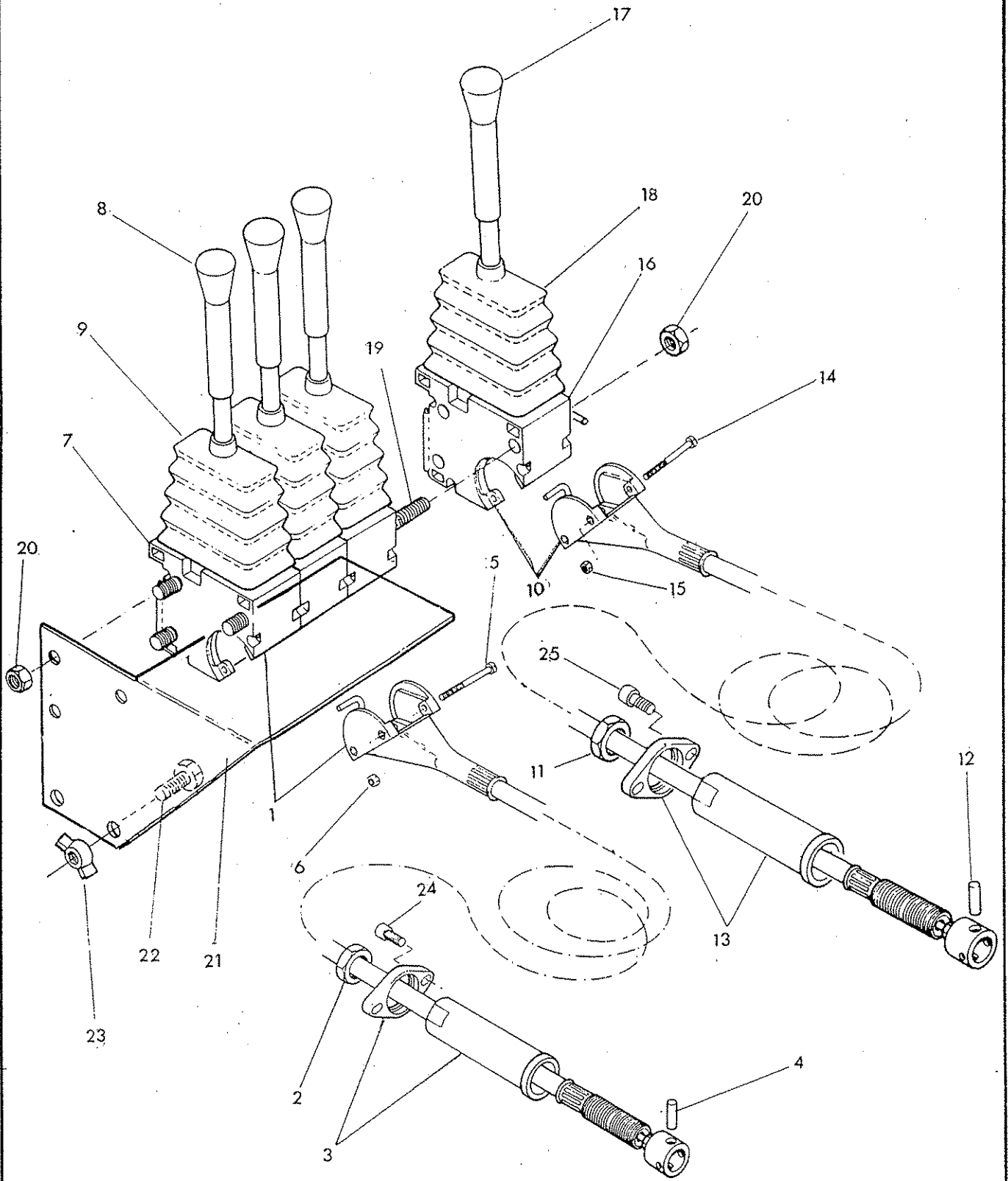


Ref.	Part No.	Qty.	Description
	<b>81 25 405</b>		<b>ROTOR CONTROL VALVE ASSEMBLY</b>
1	81 25 355	1	Rotor control valve
2	81 25 095	1	Relief valve
3	81 25 109	1	detent assembly
4	85 81 246	1	Adaptor
5	85 81 136	3	Adaptor
6	85 81 270	1	Adaptor
7	85 81 173	1	Elbow
8	86 50 106	5	Bonded seal
9	92 13 095	2	Bolt
10	91 43 005	2	Self locking nut
11	81 03 006	1	Adaptor
12	86 50 102	1	Bonded seal
13	81 31 008	1	Test connection
	<b>86 99 218</b>		<b>SEAL KIT</b>

LEVER CONTROLS



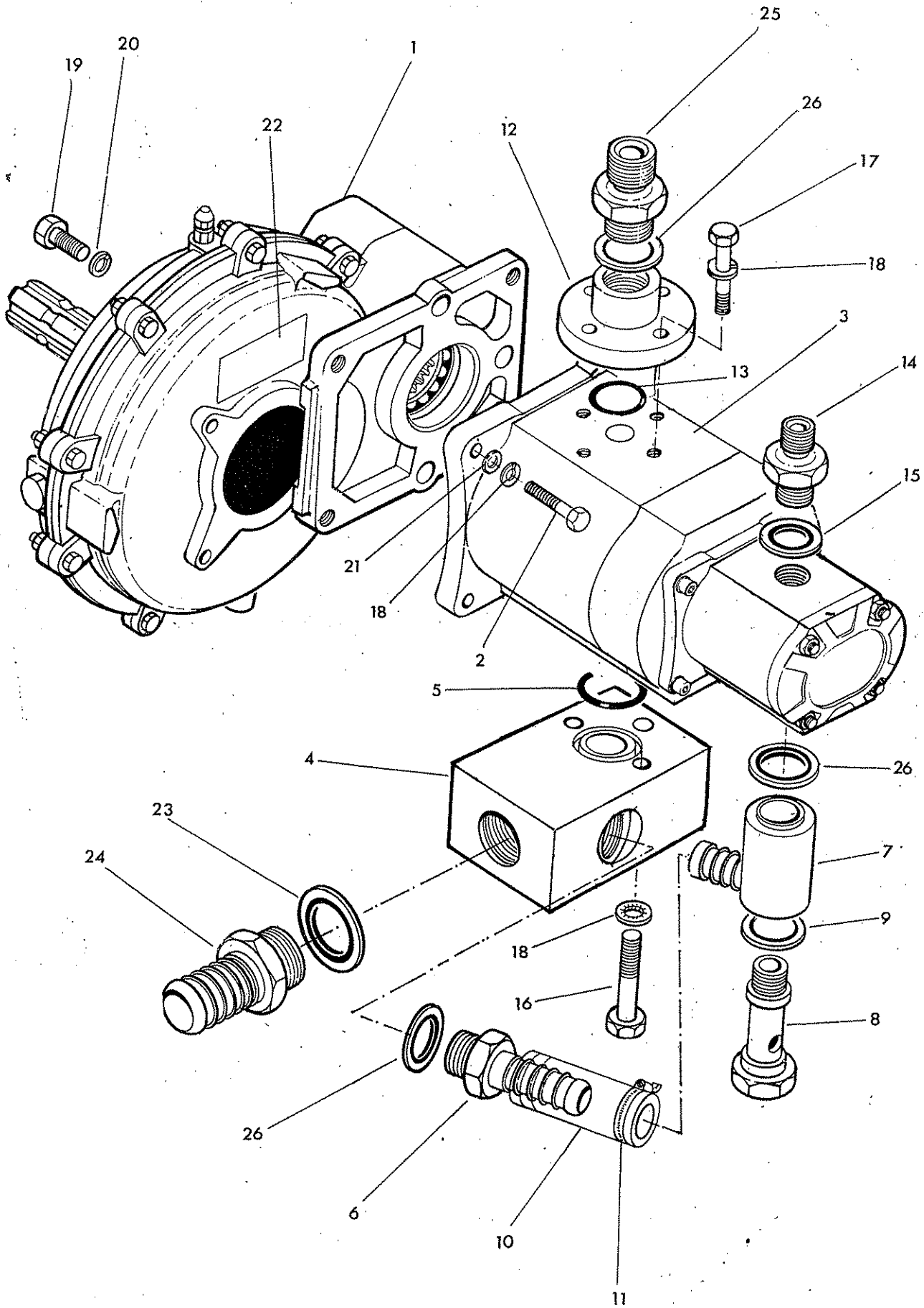
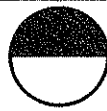
McDONNELL





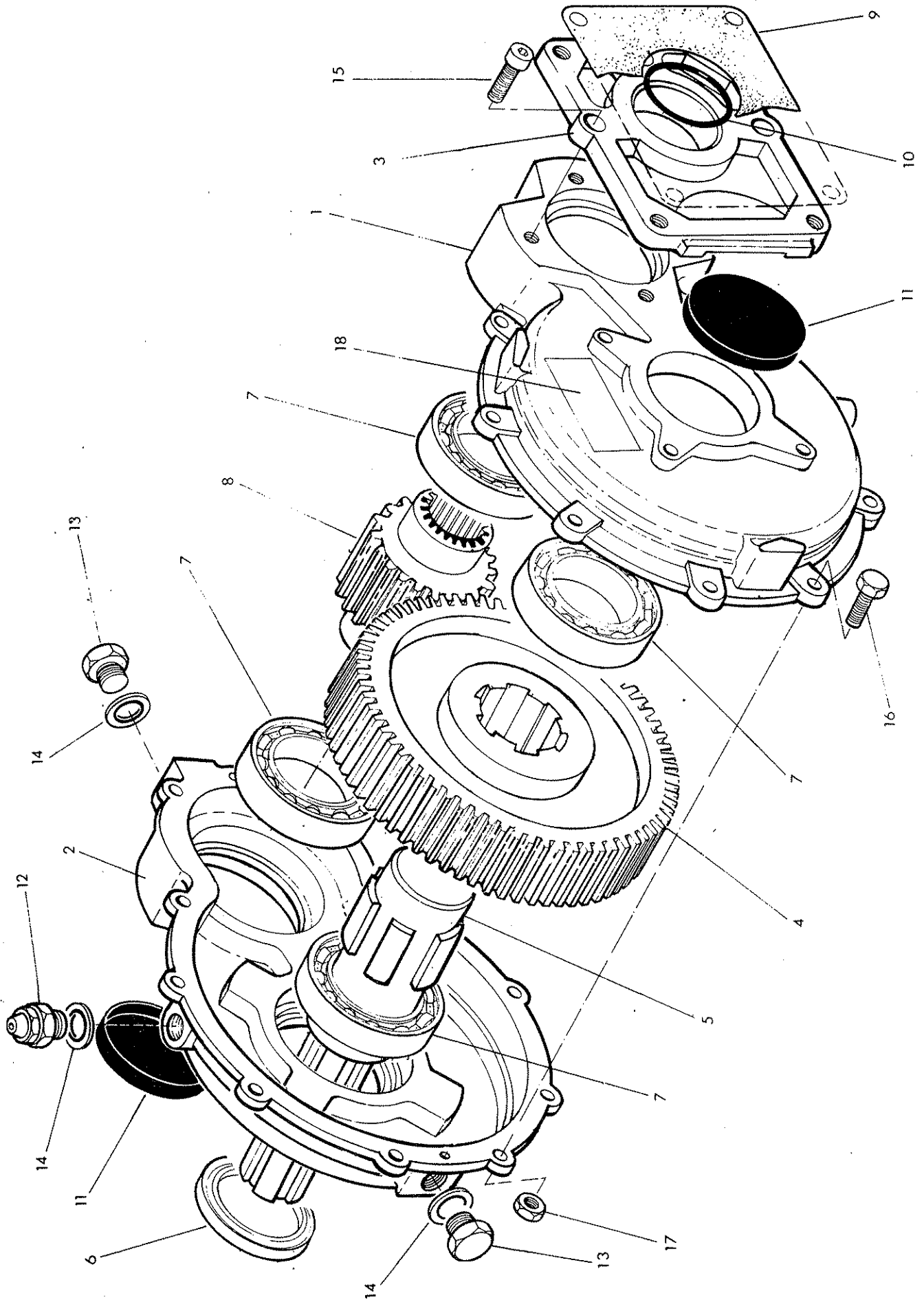
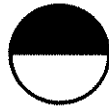
**WAGNER**

REF	PART NO.	QTY	DESCRIPTION
			<b>CONTROL LEVERS AND CABLES</b>
	80 17 058	3	Lever and cable assy. lift, reach, & angle
2	80 17 014	1	Locknut
3	80 17 013	1	Flange and sleeve
4	80 17 016	1	Spool eye pin
5	93 73 081	2	Screw
6	91 13 001	2	Nut
		1	Lever assembly compr:-
7	80 17 022	1	Lever pivot box
8	80 17 027	1	Knob
9	80 17 026	1	Weather gaiter
10	80 17 045	1	Lever and cable assembly - Rotor control compr:-
11	80 17 014	1	Locknut
12	80 17 021	1	Pin
13	80 17 018	1	Flange and sleeve
14	93 73 081	2	Screw
15	91 13 001	2	Nut
		1	Lever assembly compr:-
16	80 17 024	1	Lever pivot box
17	09 968 99	1	Knob
18	80 17 026	1	Weather gaiter
19	04 282 70	3	Tie rod
20	91 43 003	3	Self locking nut
21	09 971 01	2	Mounting bracket
22	93 13 034	4	Setscrew
23	91 93 004	4	Wingnut
24	93 43 022	10	Capscrew
25	93 43 023	2	Capscrew





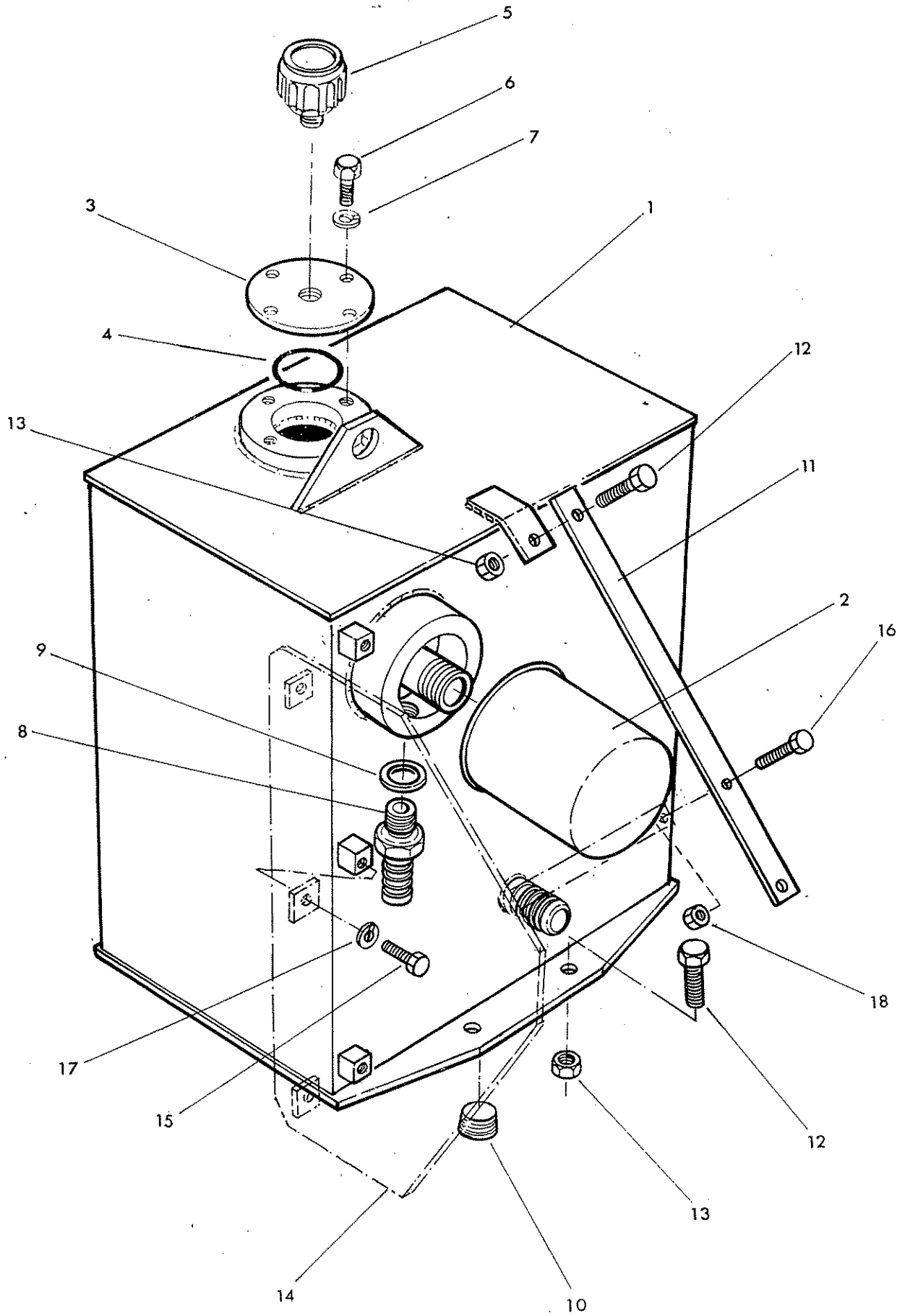
<b>Ref.</b>	<b>Part No.</b>	<b>Qty.</b>	<b>Description</b>
<b>GEARBOX / PUMP ASSEMBLY</b>			
1	80 13 444	1	Gearbox
2	92 13 094	4	Bolt
3	82 01 466	1	Tandem pump - compr:-
	82 01 684	1	Large pump
	82 01 677	1	Small pump
4	71 92 372	1	Suction block
5	86 00 122	1	'O' ring
6	85 81 301	1	Adaptor
7	80 13 096	1	Banjo
8	80 13 095	1	Banjo bolt
9	86 50 107	1	Bonded seal
10	85 01 213	1	Connecting hose
11	09 04 204	2	Hose clip
12	80 13 088	1	Pump flange
13	86 00 119	1	'O' ring
14	60 00 112	1	Adaptor
15	85 50 104	1	Bonded seal
16	92 13 144	3	Bolt
17	93 13 054	4	Setscrew
18	91 00 404	11	Shakeproof washer
19	93 13 056	4	Setscrew
20	91 00 206	4	Spring washer
21	91 00 104	7	Plain washer
22	12 90 054	1	Gearbox label
23	86 50 108	1	Bonded seal
24	85 81 260	1	Adaptor
25	85 81 136	1	Union
26	86 50 106	3	Bonded seal
	<b>86 99 231</b>		<b>PUMP SEAL KIT</b>

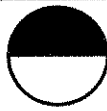




Ref	Part No	Qty	Description
	<b>80 13 444</b>		<b>GEARBOX</b>
1	80 13 100	1	Case - output side
2	80 13 101	1	Case - input side
3	80 13 102	1	Pump mounting flange
4	80 13 103	1	Gear
5	80 13 105	1	Shaft
6	86 29 196	1	Shaft seal
7	06 00 042	4	Bearing
8	80 13 104	1	Pinion
9	80 13 056	1	Gasket
10	86 00 523	1	'O' ring
11	80 13 106	2	End cover
12	80 13 107	1	Breather/adaptor
13	85 81 133	4	Plug
14	86 50 102	4	Bonded seal
15	93 43 045	3	Capscrew socket headed
16	92 13 064	10	Bolt
17	91 43 004	10	Self locking nut
18	12 90 054	1	Sticker







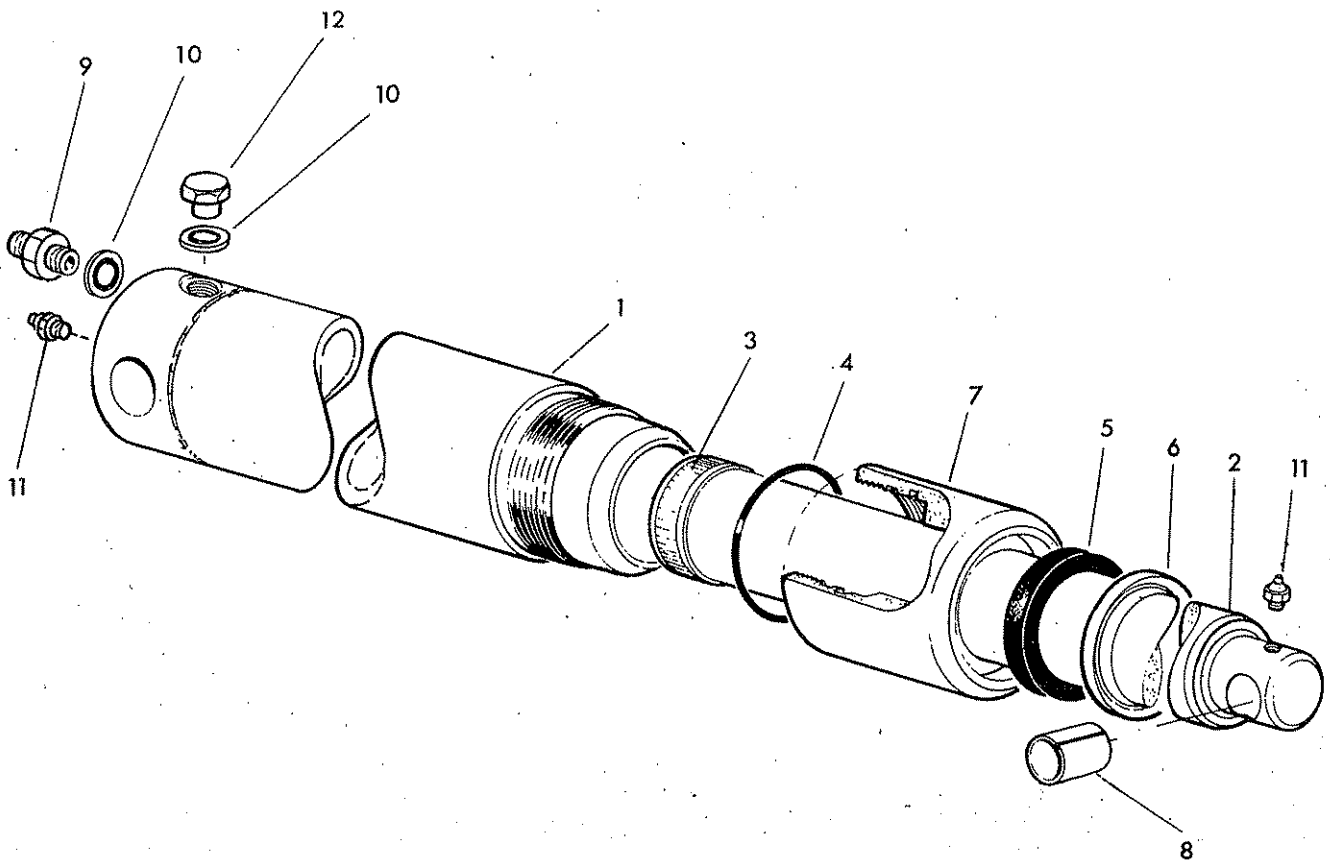
Ref	Part No.	Qty.	Description
			<b>HYDRAULIC TANK ASSEMBLY</b>
1	71 98 269	1	Tank
2	84 01 041	1	Filter
3	71 92 063	1	Cover
4	86 00 051	1	O ring
5	84 01 063	1	Breather
6	93 13 054	4	Setscrew
7	91 00 204	4	Spring washer
8	85 81 246	1	Adaptor
9	86 50 106	1	Bonded seal
10	85 81 203	1	Drain plug
11	71 98 020	1	Tank strap
12	93 13 076	4	Bolt
13	9143 006	4	Self locking nut
14	71 98 289	1	Cover plate
15	93 13 045	3	Setscrew
16	93 13 055	1	Setscrew
17	91 00 205	3	Spring washer
18	91 43 005	1	Self locking nut



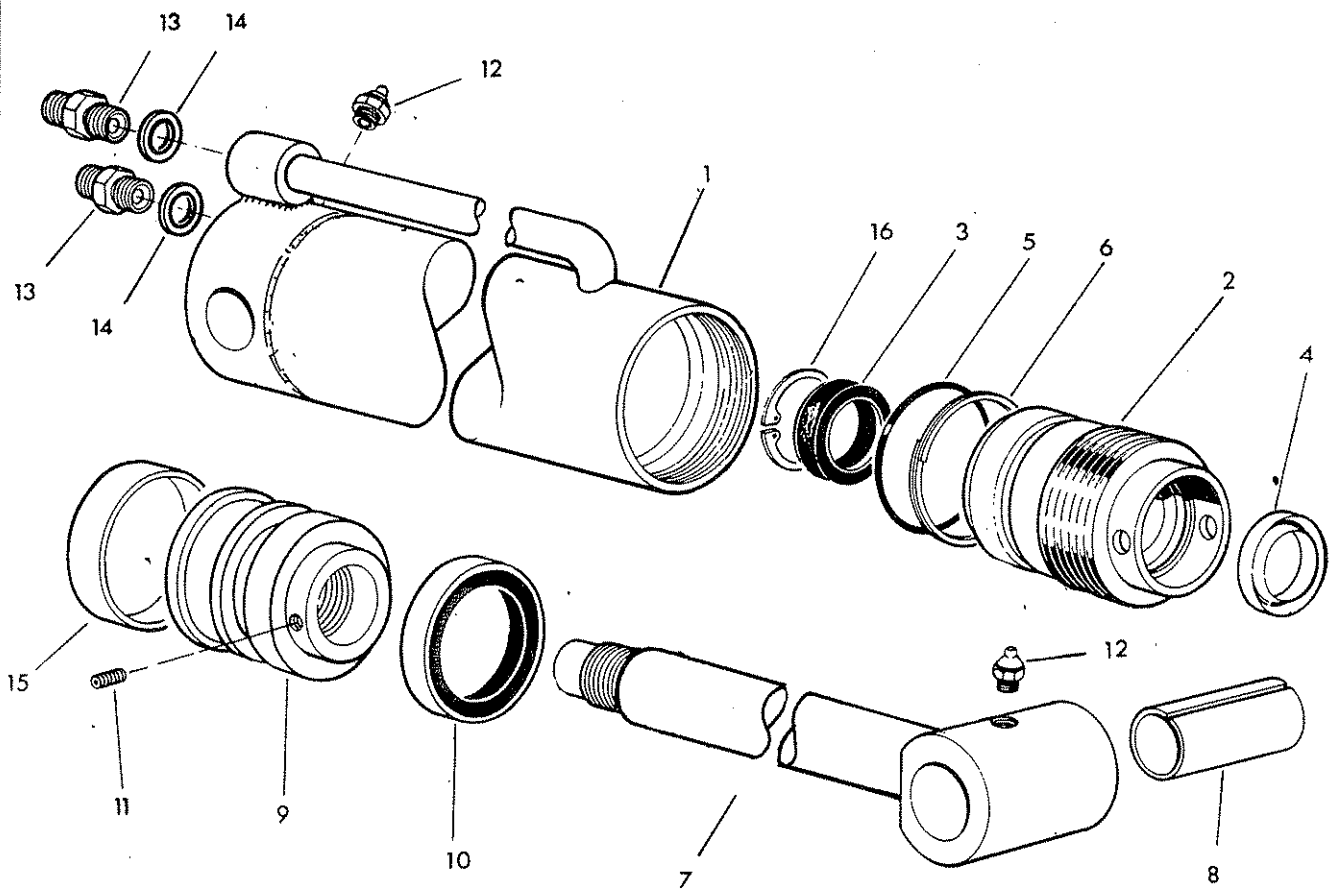


**MACGREGOR**

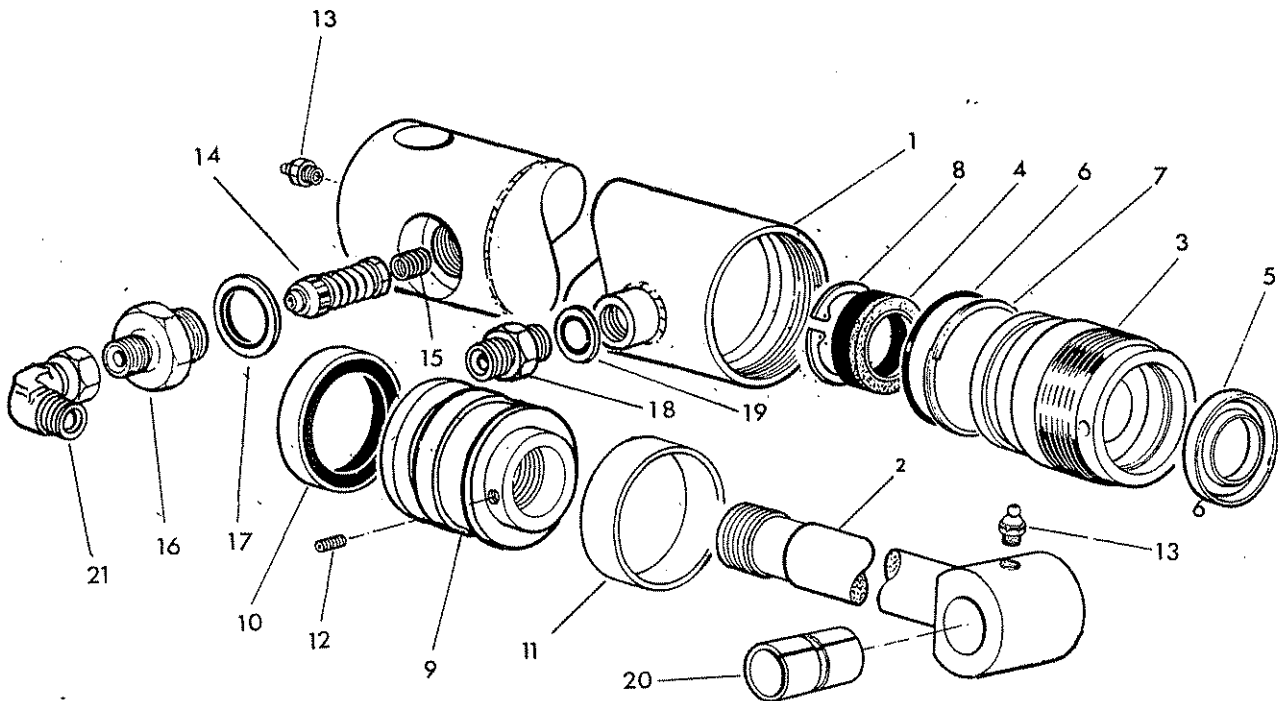
Ref.	Part No.	Qty.	Description
	81 26 295		LIFT FLOAT KIT - Quick response
1	81 26 042	1	Accumulator
2	G241 0380	1	Adaptor
3	81 26 035	1	Bulkhead nut
4	81 26 286	1	Bracket
5	81 26 031	1	U bolt
6	91 43 004	2	Self locking nut
7	86 50 322	1	Bonded seal
8	86 50 103	3	Bonded seal
9	81 26 287	1	Control block
10	81 26 037	1	Response piston
11	81 16 011	1	Spring
12	85 81 115	2	Adaptor
13	12 90 061	1	Operating sticker
14	85 35 012	1	Hose 1/4" BSP x 12" long SF-90F
15	81 30 183	1	Poppet valve including:-
16	81 30 184	1	Coil
17	87 00 017	1	'O' ring
18	87 00 511	1	'O' ring
19	87 09 511	1	Anti extrusion ring
20	84 02 194	1	Cable assy incl
21	84 02 194/1	1	Cable
22	84 02 182	1	Switch
23	84 02 024	1	Switch cover
24	84 02 284	1	Supply harness incl.
25	84 02 062	1	Plug/Socket
26	84 02 114	1	Fuse holder
27	84 02 037	1	Fuse 10 amp
28	71 92 081	1	Switch mounting bracket



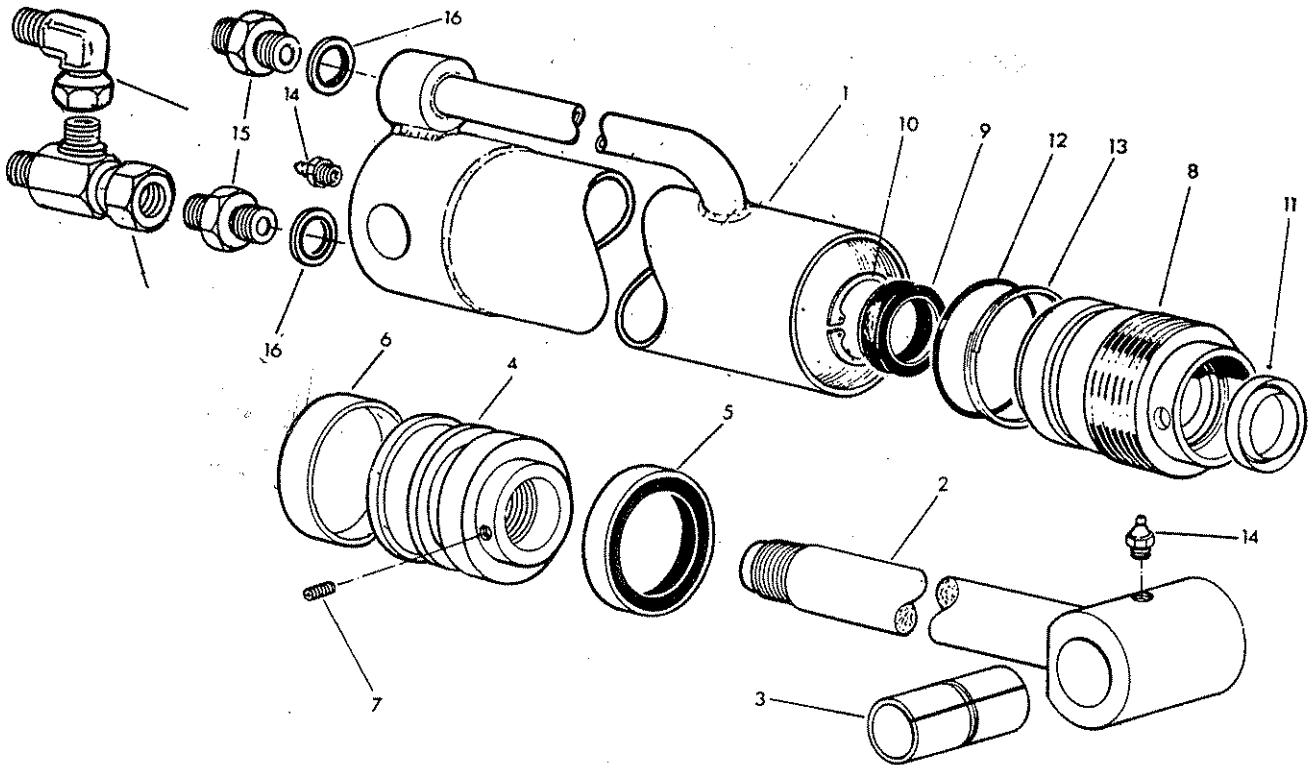
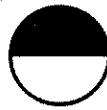
Ref.	Part No.	Qty.	Description
	<b>71-98 043</b>		<b>LIFT RAM ASSEMBLY</b>
	71 92 332	1	Ram assembly including:-
1	71 92 333	1	Ram cylinder
2	71 92 334	1	Ram rod
3	86 29 174	1	Wear ring
4	86 00 435	1	'O' ring
5	86 29 172	1	Rod seal
6	86 29 173	1	Rod wiper
7	71 92 033	1	Cylinder head
8	71 05 050	1	Rod bush
9	85 15 115	1	Adaptor
10	86 50 103	2	Bonded seal
11	09 01 121	2	Greaser
12	80 03 001	1	Plug
	<b>86-99-213</b>		<b>SEAL KIT</b>



Ref.	Part No.	Qty.	Description
	<b>71 98 266</b>		<b>REACH RAM ASSEMBLY</b>
1	71 91 306	1	Ram barrel
2	71 36 312	1	Gland housing
3	86 29 148	1	Gland seal
4	86 29 149	1	Wiper seal
5	86 00 306	1	O ring
6	86 09 306	1	Anti extrusion ring
7	71 98 267	1	Piston rod
8	71 05 050	1	Bush
9	71 20 368	1	Piston
10	86 29 156	1	Piston seal
11	93 63 023	1	Grub screw
12	09 01 121	2	Greaser
13	85 15 115	2	Adaptor
14	86 50 103	1	Bonded seal
15	86 29 157	1	Guide ring
16	04 16 240	1	Internal circlip
	<b>86 99 190</b>		<b>SEAL KIT</b>



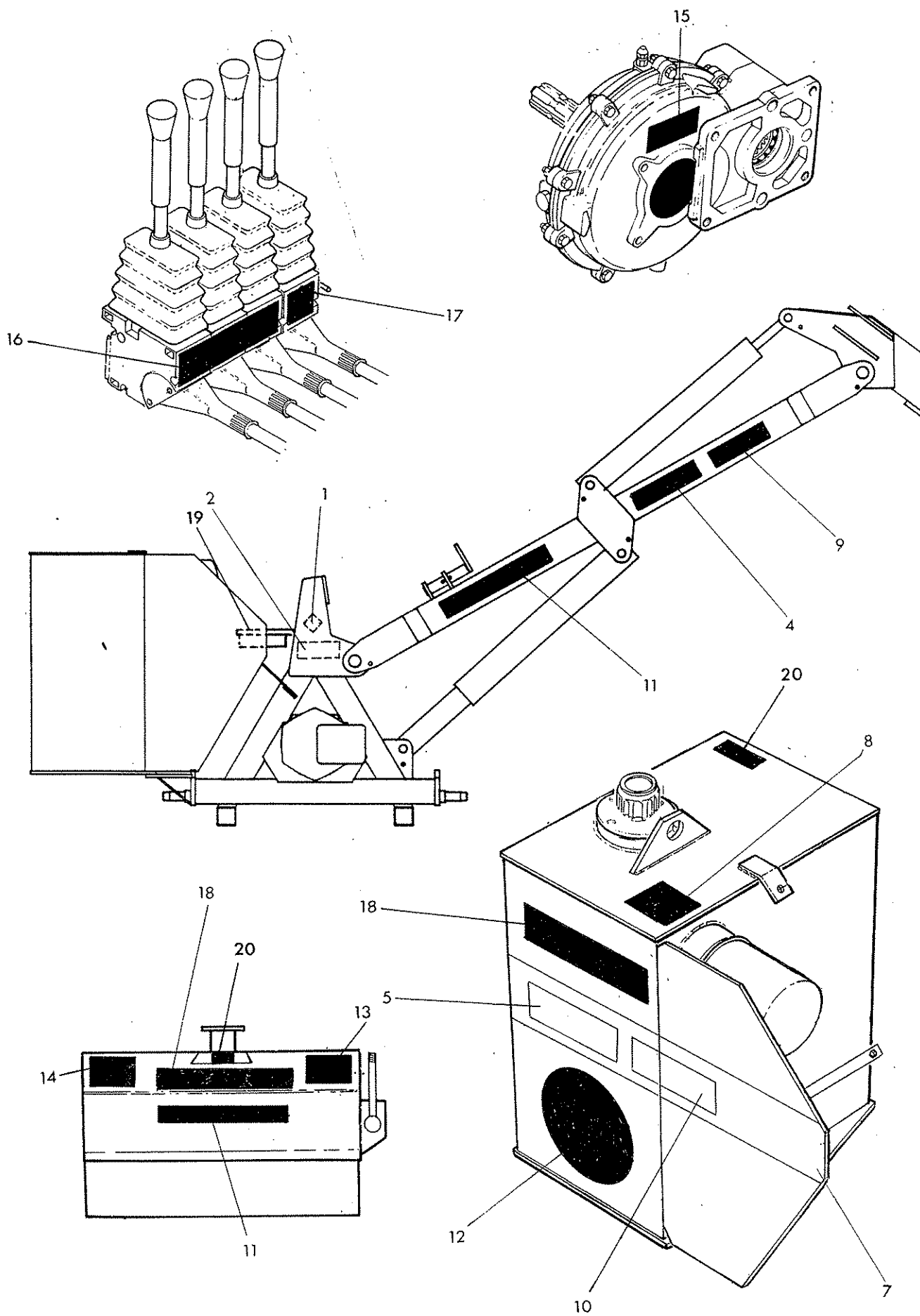
Ref.	Part No.	Qty.	Description
	<b>71-98-357</b>		<b>BREAKAWAY/PARK RAM ASSY</b>
1	71-98-358	1	Ram barrel
2	71-98-361	1	Rod
3	71-35-291	1	Gland housing
4	86-29-148	1	Gland seal
5	86-29-149	1	Rod wiper seal
6	86-00-302	1	'O' ring
7	86-09-302	1	Anti extrusion ring
8	04-16-240	1	Internal circlip
9	75-60-095	1	Piston
10	86-29-187	1	Piston seal
11	86-29-188	1	Bearing ring
12	93-63-023	1	Grub screw
13	09-01-121	2	Greaser
14	81-30-189	1	Relief valve - 40 bar
15	81-16-011	1	Spring
16	81-30-083	1	Relief valve housing
17	86-50-104	1	Bonded seal
18	85-81-169	1	Union
19	86-50-102	1	Bonded seal
20	10-90-005	1	Bush
21	85-81-190	1	Swivel elbow

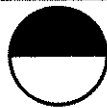


Ref.	Part No.	Qty.	Description
	<b>75-60-344</b>		<b>ANGLING RAM ASSEMBLY</b>
1	71-35-292	1	Cylinder
2	71-35-009	1	Rod
3	71-05-050	1	Bush
4	75-60-095	1	Piston
5	86-29-187	1	Piston seal
6	86-29-188	1	Bearing ring
7*	93-63-023	1	Grub screw socket head
8	71-35-291	1	Gland housing
9	86-29-148	1	Gland seal
10	04-16-240	1	Internal circlip
11	86-29-149	1	Wiper seal
12	86-00-302	1	'O' ring
13	86-09-302	1	Anti extrusion ring
14	09-01-121	2	Greaser
15	85-81-169	2	Union
16	86-50-102	2	Bonded seal
17	85-81-254	1	Tee piece
18	85-81-190	1	Swivel elbow
	<b>86-99-188</b>		<b>SEAL KIT</b>

\* Assembly note  
Tighten fully and centre punch edge of hole to secure.







Ref.	Part No.	Qty.	Description
<b>STICKERS</b>			
1	71 05 136	1	Read book first
2	12 90 331	1	Tighten check chains
3	CO 55 002	1	Sling here symbol
4	12 90 411	2	Mag - black
5	12 90 412	1	Mag - yellow
6	12 90 352	1	Gen. warning - despatched loose
7	12 90 432	1	Tank stripe
8	12 90 474	1	Greasing
9	12 90 413	2	390 - black
10	12 90 416	1	390 - yellow
11	12 90 255	3	McConnel
12	12 90 365	1	McConnel roundel
13	12 90 377	1	Flail head instructions
14	12 90 341	1	Flail head guarding
15	12 90 054	1	Gearbox oil capacity
16	12 90 354	1	Lever controls
17	12 90 338	1	Rotor controls
18	12 90 435	1	<b>Agram</b>
19	71 09 150	1	<b>Park/work</b>
20	12 90 499	2	43 hp



McConnel Limited, Temeside Works, Ludlow, Shropshire SY8 1JL. England.  
Telephone: 01584 873131. Facsimile: 01584 876463. [www.mcconnel.com](http://www.mcconnel.com)