

Publication 404  
May 2001  
Part No. 41570.05

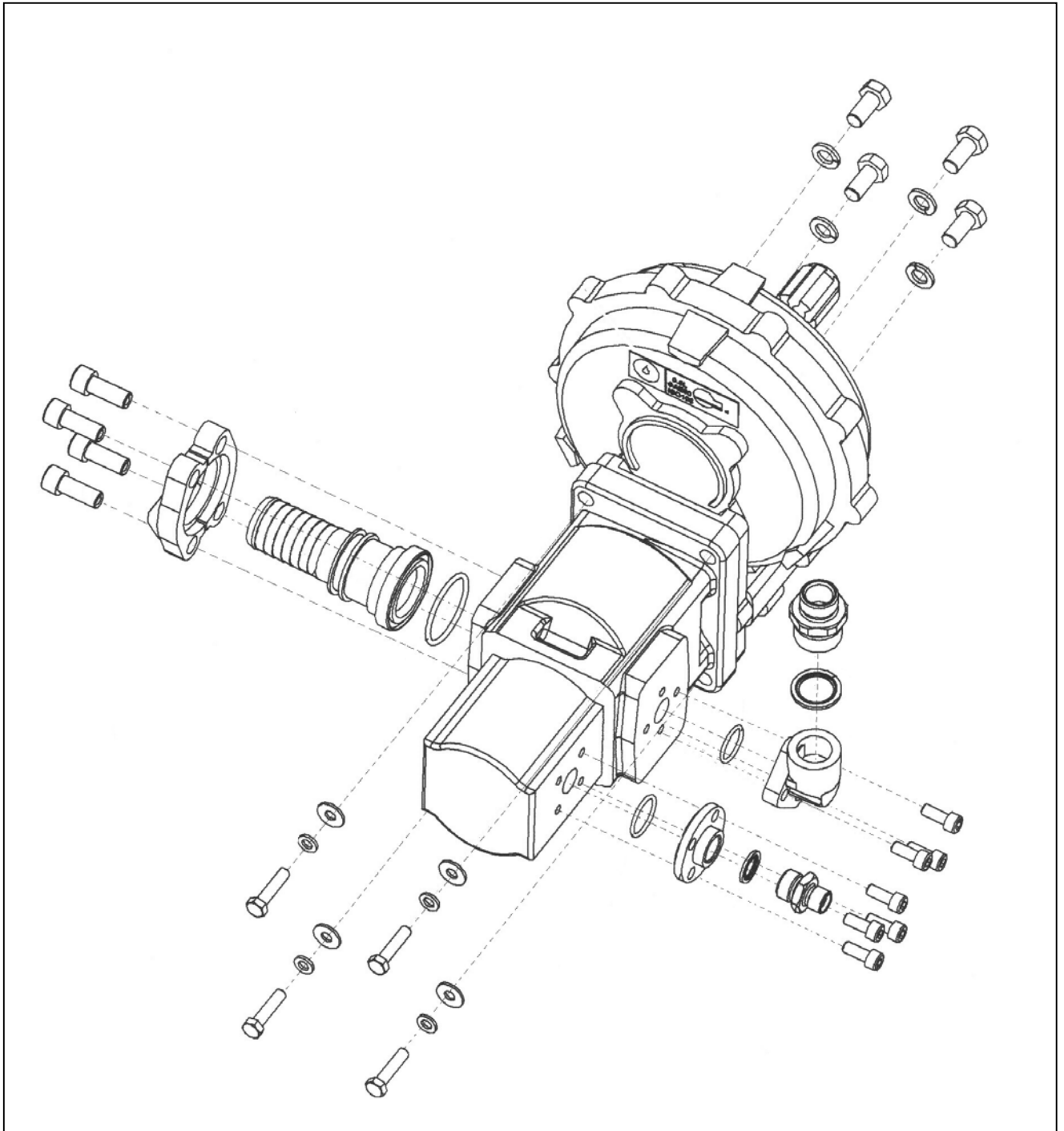
# SERIE MAG 480S

---

## Modeles C, E, et E ARC



### *Pièces détachées*





## **MANUEL DE PIÈCES DETACHÉES**

***Pour avoir les meilleures performances...  
Utiliser exclusivement les pièces détachées Payen***

***Pour être certains d'avoir les dernières améliorations apportées, acheter vos pièces de remplacement chez le fabricant d'origine de votre équipement Payen, chez votre concessionnaire ou stockiste local.***

***Donner toujours votre type et numéro de série de machine en même temps que le numéro de la pièce.***

***Des améliorations de conception peuvent avoir modifié certaines pièces listées dans ce manuel - La pièce la plus récente vous sera toujours fournie si elle est interchangeable avec la plus ancienne.***



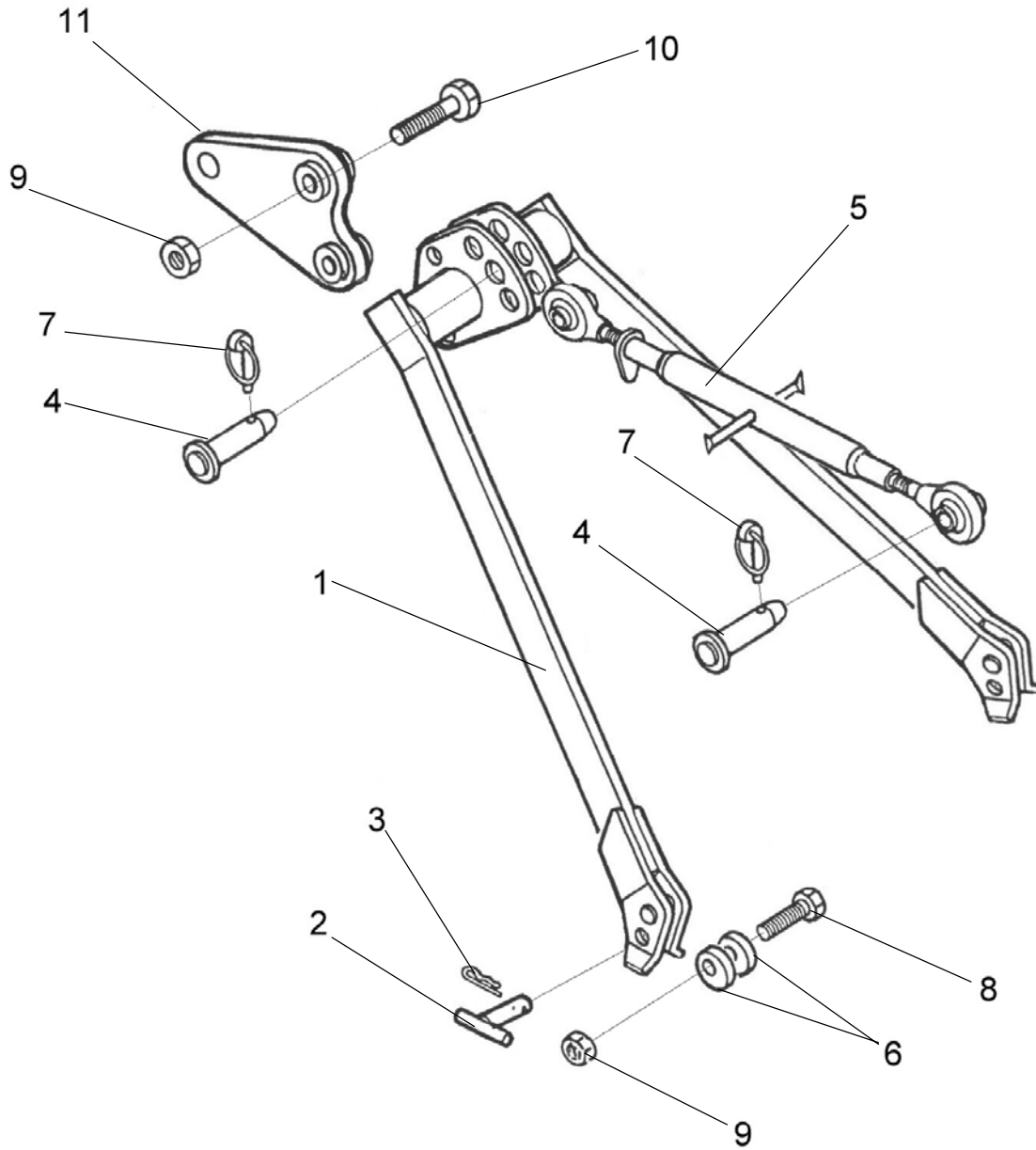
***Genuine Parts ~ Quality Service***

# LIST OF CONTENTS

	<i>Page No.</i>
<b>Machine Components</b>	
Stabilizer	1
Main Frame & Fittings	3
Pillar & Fittings	5
Pillar & Fittings - <i>AHC models</i>	7
Rocker & Fittings	9
Rocker & Fittings - <i>AHC models</i>	11
<b>Arms</b>	
Main Arm & Fittings	13
Dipper Arm & Fittings	15
Dipper Arm & Fittings - <i>Midcut models</i>	17
<b>Hydraulic Oil Tank</b>	
Tank Assembly & Fittings - <i>All models</i>	19
<b>Pump &amp; Gearbox</b>	
Pump & Gearbox Assembly	21
<b>Controls</b>	
Rotor Control Valve - <i>All models</i>	23
Armhead Control Valve - <i>Cable models</i>	25
Armhead Control Valve - <i>Electric models</i>	27
Armhead Control Valve - <i>AHC models</i>	29
Switchbox Controls & Loom - <i>Electric models</i>	31
Monolever Controls & Loom - <i>Electric models</i>	33
Control Mounting - <i>Cable models</i>	35
Control Mounting - <i>Electric models</i>	36
<b>Float Kits</b>	
Lift Float Kit - <i>Cable models</i>	37
Lift Float Kit - <i>Electric models</i>	39
<b>Rams</b>	
Angling Ram	41
Lift Ram	42
Reach Ram	43
Slew Ram	44
Compensator Ram - <i>AHC models</i>	45
<b>Hydraulic Hoses</b>	
Hose Installation - <i>Cable &amp; Cable Midcut models</i>	47
Hose Installation - <i>Electric &amp; Electric Midcut models</i>	49
Hose Installation - <i>Electric AHC &amp; Electric AHC Midcut models</i>	51

## LIST OF CONTENTS (Continued)

	<i>Page No.</i>
<b>Flail Heads</b>	
1.2m Direct Drive Flailhead	53
1.2m Belt Drive Flailhead	57
Rotors & Flails	61
Roller Assemblies	63
<b>Cooler</b>	
Cooler Kit - <i>Proportional Electric Models</i>	65
<b>Covers</b>	
Rear Covers & Fittings - <i>All models</i>	67
<b>Decals</b>	
Decals / Warning Stickers	69

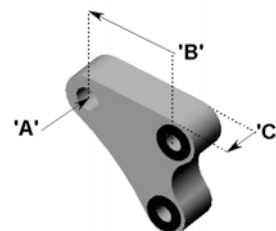


## STABILISER ASSEMBLY

REF.	QTY.	PART NO.	DESCRIPTION
1	1	41915.06	STABILIZER
2	2	7192027	STABILIZER PIN
3	4	0431105	SPRING COTTER
4	2	7118112	TOP LINK PIN
5	1	07.584.01	TOP LINK - CAT. II
6	4	7192080	ECCENTRIC COLLAR
7	2	0431217	LINCH PIN
8	2	9213148	BOLT M20 x 70
9	4	9143008	CLEVLOK NUT M20
10	2	9213228	BOLT M20 x 110
11	1	7499501	TONGUE

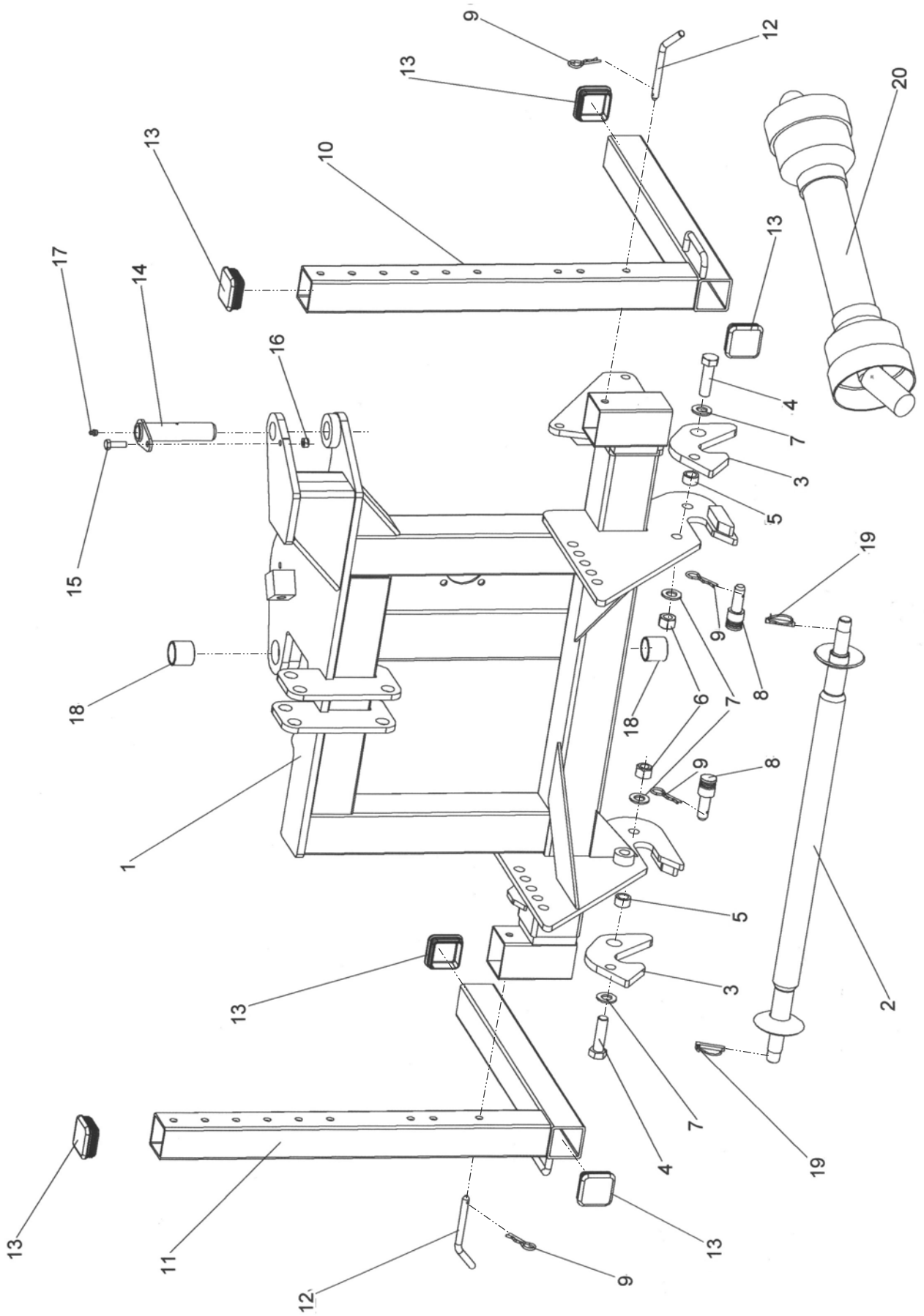
### McCONNEL STABILISER TONGUES

'A' – Hole diameter  
 'B' – Hole center spacing  
 'C' – Stabiliser width



(Dimensions in mm)

Part No.	Description	'A'	'B'	'C'
7499501	Tongue: Standard – Cat. 2	27	107	45
7499500	Tongue: Special – Cat. 2 narrow	27	107	35
7499502	Tongue: Special – Cat. 2 long	27	217	45
7499503	Tongue: Special – Cat. 3 long	32	217	45
7499504	Tongue: Special – Cat. 1	19.5	107	35
7499505	Tongue: Special – Cat. 2 for Case TX tractors	25	120	50
7499506	Tongue: Special – Cat. 3	32	107	45
7499507	Tongue: Special – Cat. 3 narrow	32	107	30
7499508	Tongue: Special – for some Ford tractors	28.6	107	45
7499262	Tongue: Special – Cat. 2 extra long for Aebi	27	260	45
7499510	Tongue: Special – Cat. 2	27	107	40



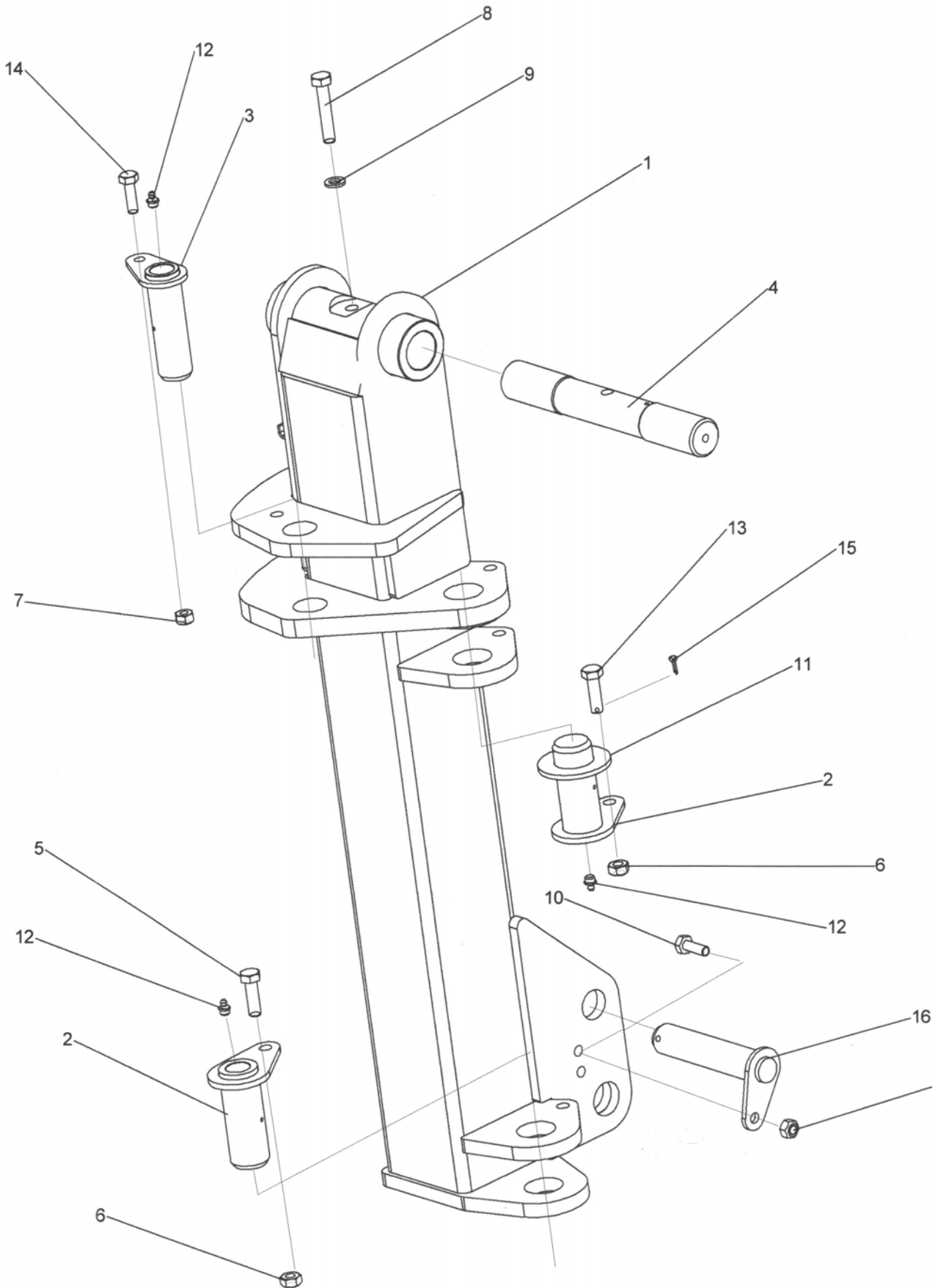
**MAIN FRAME ASSEMBLY**

REF.	QTY.	PART No.	DESCRIPTION
1	1	45193.04	MAIN FRAME
2	1	42333.02	HITCH BAR
3	2	42591.02	CATCH HOOK
4	2	9213148	BOLT M20 x 70
5	2	42801.01	SPACER SLEEVE
6	2	9143008	SELF-LOCKING NUT M20
7	4	9100108	FLAT WASHER M20
8	2	45369.01	LATCH LOCK PIN
9	4	0431105	SPRING COTTER
10	1	45293.01	STAND LEG - LEFT HAND
11	1	45293.02	STAND LEG - RIGHT HAND
12	2	45297.01	LEG PIN
13	6	45210.01	PLASTIC PLUG 70 x 70
14	1	45202.05	SLEW BASE PIN
15	1	9313075	SETSCREW M10 x 35
16	1	9143005	SELF-LOCKING NUT M10
17	1	0901121	GREASE NIPPLE 3/8" BSP - STRAIGHT
18	2	30.207.68	PLASTIC BUSH 40 x 47 x 40
19	2	0431217	LINCH PIN
20	1	7136330	DRIVE SHAFT



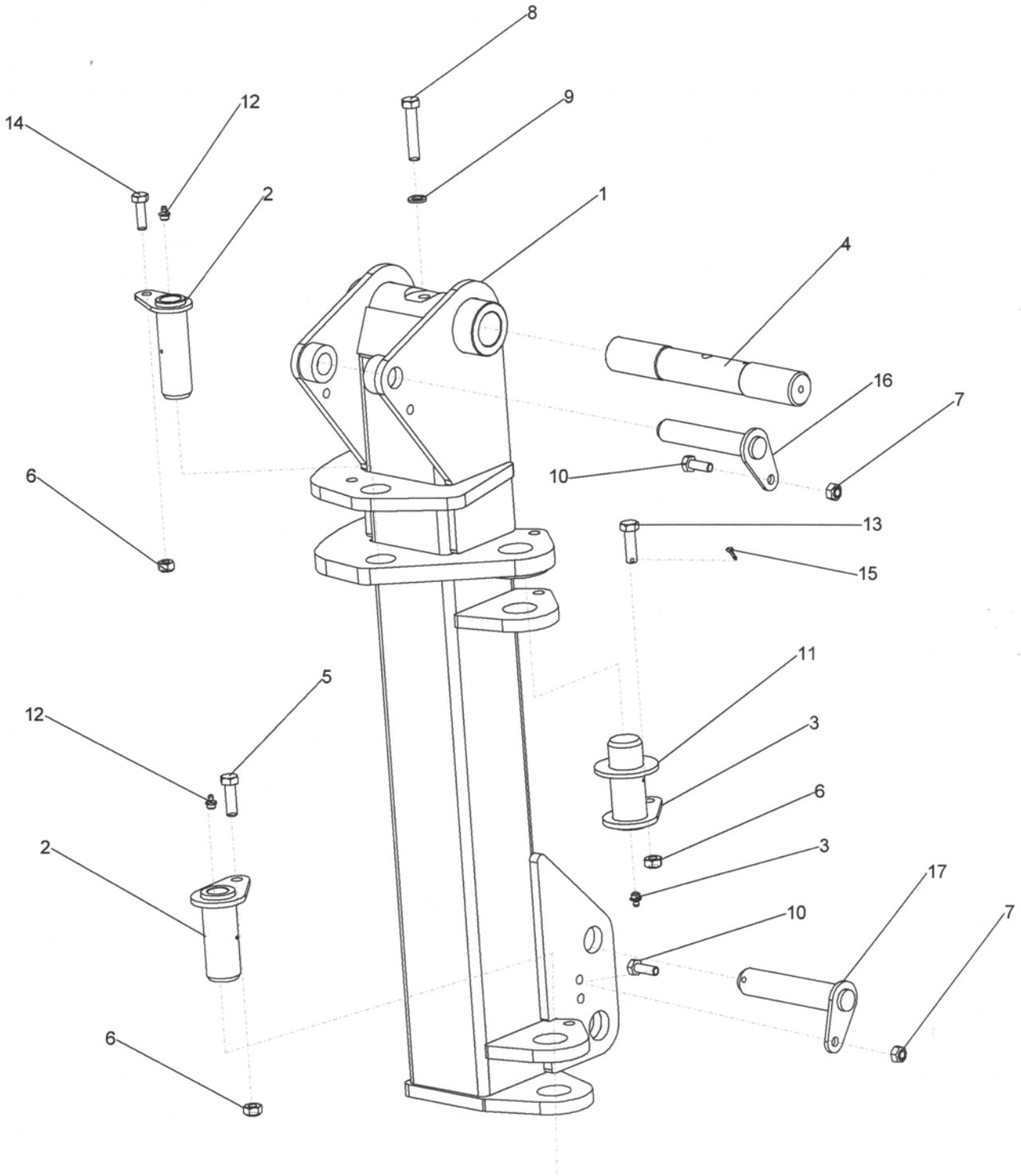
MAG 480 Mk3

PILLAR ASSEMBLY (Non AHC)



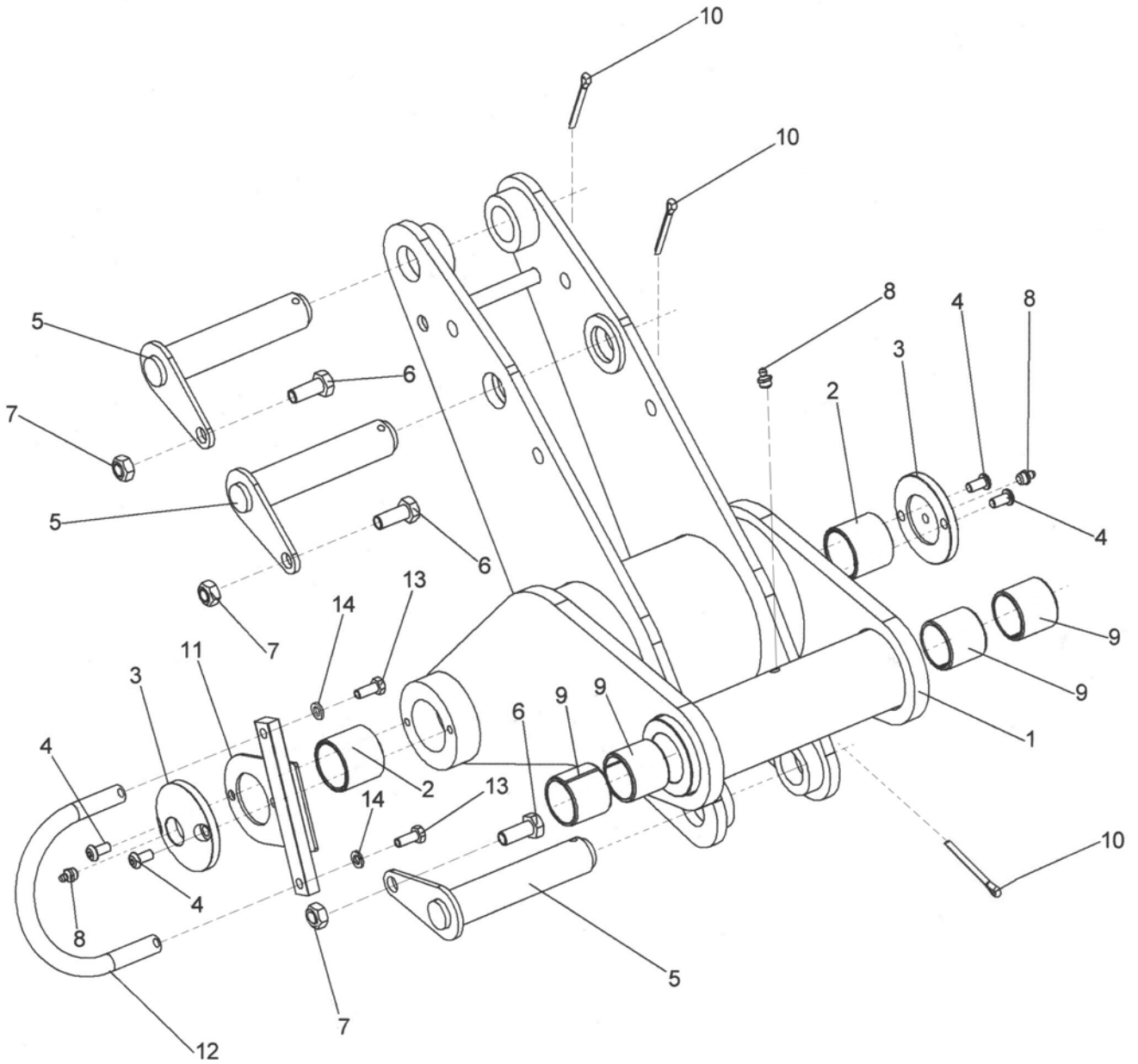
**PILLAR ASSEMBLY (Non AHC)**

REF.	QTY.	PART NO.	DESCRIPTION
1	1	45192.02	PILLAR
2	2	45271.01	SLEW PIVOT PIN
3	1	45202.04	PIN-SLEW ROD
4	1	45264.01	MAIN PIVOT PIN
5	1	9213086	BOLT M12 x 40
6	2	9143006	SELF-LOCKING NUT M12
7	2	9143005	SELF-LOCKING NUT M10
8	1	9213136	BOLT M12 x 65
9	1	9100206	SPRING WASHER M12
10	1	9313065	SETSCREW M10 x 30
11	1	45298.01	THRUST WASHER 75 x 41 x 5
12	3	0901121	GREASE NIPPLE 3/8" BSP - STRAIGHT
13	1	45416.01	SPECIAL SETCREW M12 x 40
14	1	9313075	SETSCREW M10 x 35
15	1	9501255	SPLIT PIN M4 x 25
16	1	45202.07	PIN - RAM BASE



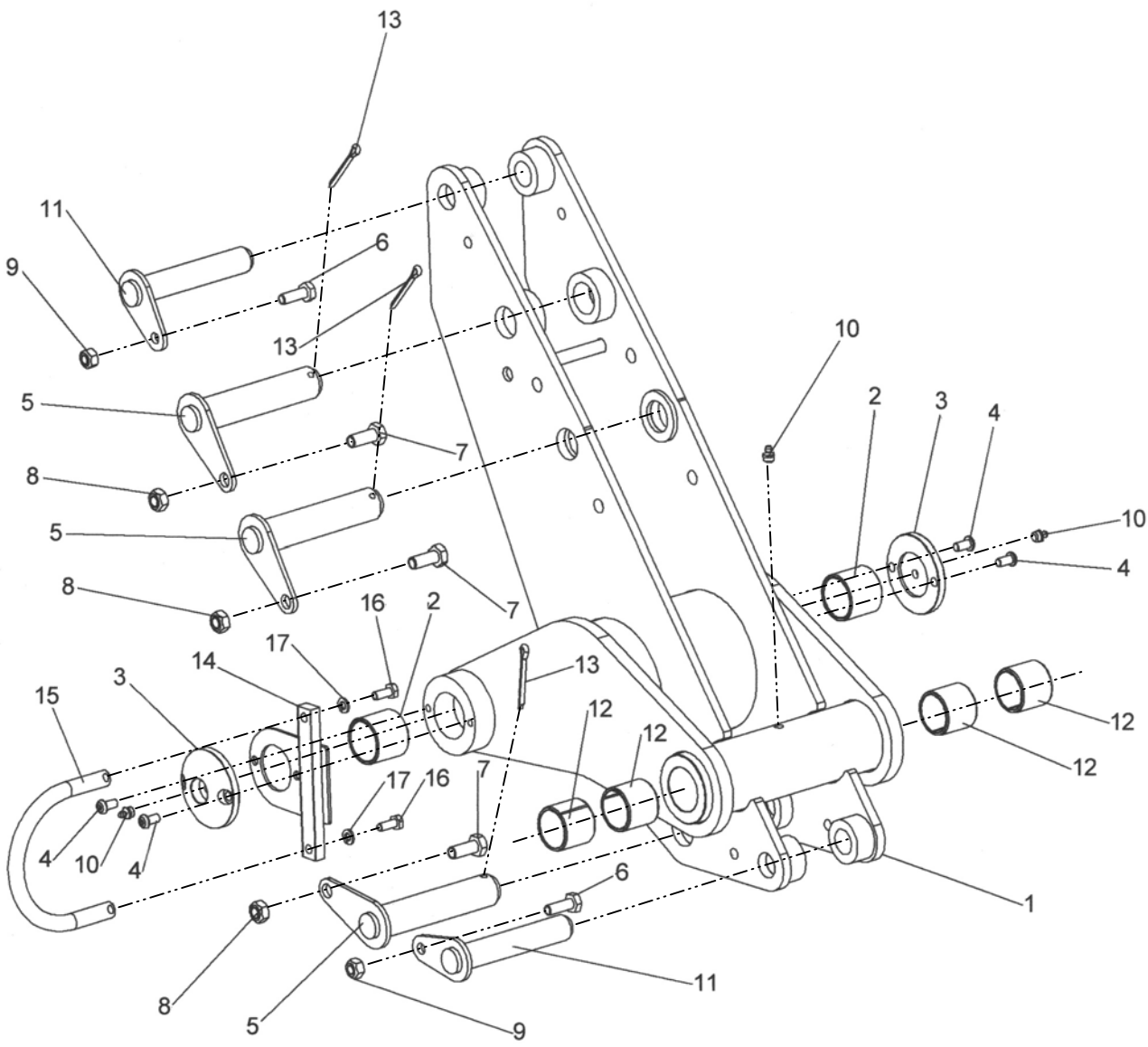


REF.	QTY.	PART NO.	DESCRIPTION
1	1	45192.03	PILLAR-AHC
2	2	45271.01	SLEW PIVOT PIN
3	1	45202.04	PIN -SLEW ROD
4	1	45264.01	MAIN PIVOT PIN
5	1	9213086	BOLT M12 x 40
6	2	9143006	SELF LOCKING NUT M12
7	3	9143005	SELF LOCKING NUT M10
8	1	9213136	BOLT M12 x 65
9	1	9100206	SPRING WASHER M12
10	2	9313065	SETSCREW M10 x 30
11	1	45298.01	THRUST WASHER 75 x 41 x 5
12	3	0901121	GREASE NIPPLE 3/8" BSP - STRAIGHT
13	1	45416.01	SPECIAL SETCREW M12 x40
14	1	9313075	SETSCREW M10 x 35
15	1	9501255	SPLIT PIN M4 x 25
16	1	45613.01	PIN - AHC RAM
17	1	41692.01	PIN - TENSION LINK





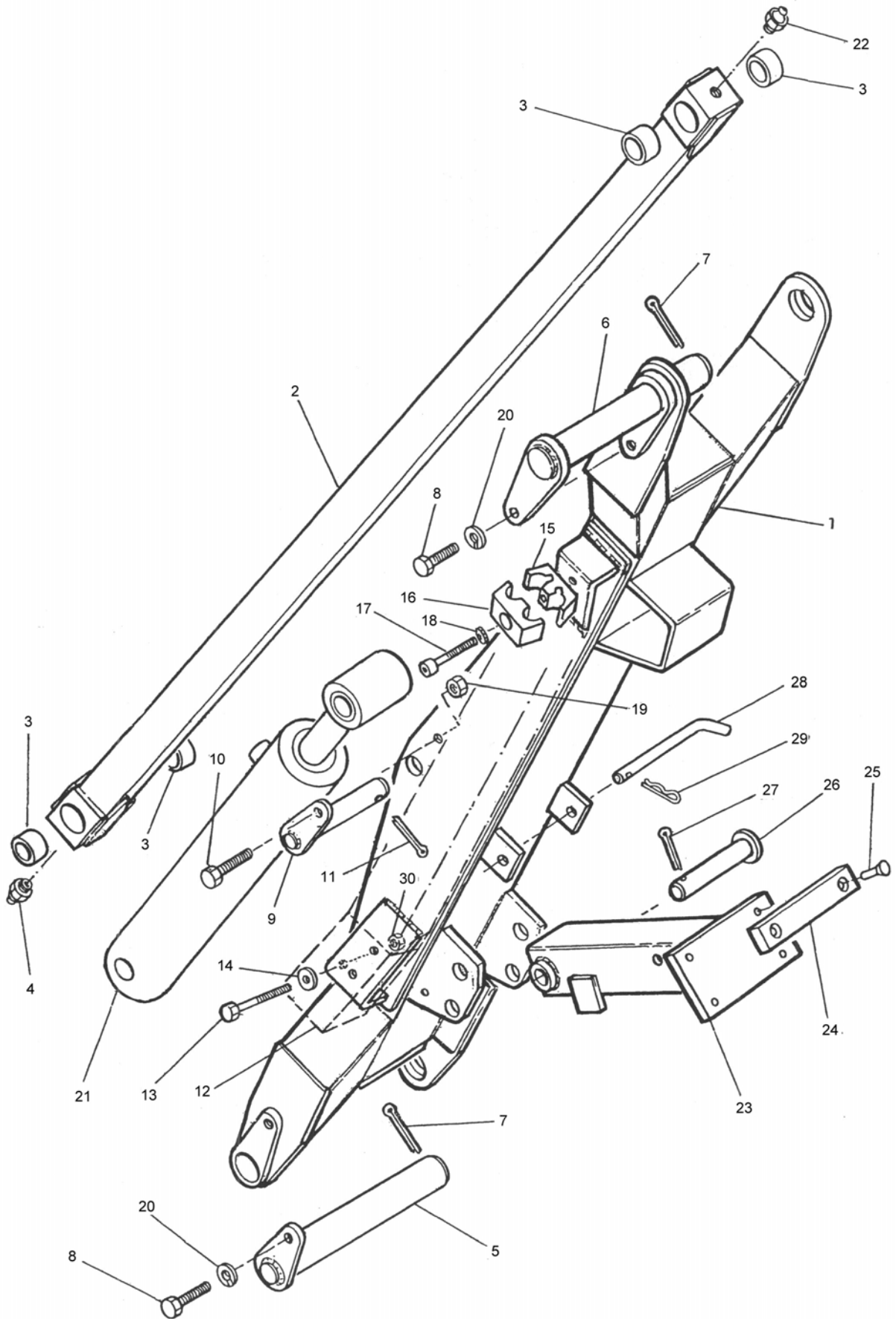
REF.	QTY.	PART NO.	DESCRIPTION
1	1	45445.01	ROCKER
2	2	08.297.02	BUSH 47 x 40 x 40
3	2	45266.01	PIN CAP
4	4	9300159	BUTTON HEADED CAPSCREW M8 x 16
5	3	41694.03	PIN - LIFT ROD END
6	3	9313066	SETSCREW M12 x 30
7	3	9143006	SELF-LOCKING NUT M12
8	3	0901121	GREASE NIPPLE 3/8" BSP - STRAIGHT
9	4	7213023	PLASTIC BUSH 1 1/2" x 1 3/4"
10	3	9501507	SPLIT PIN M6 x 50
11	1	43048.06	RETAINING BRACKET
12	1	43048.05	HOOK
13	2	9313044	SETSCREW M8 x 20
14	2	9100204	SPRING WASHER M8





REF	QTY.	PART NO.	DESCRIPTION
1	1	45445.02	ROCKER-AHC
2	2	08.297.02	BUSH 47 x 40 x 40
3	2	45266.01	PIN CAP
4	4	9300159	BUTTON HEADED CAPSCREW M8 x 16
5	3	41694.03	PIN - LIFT ROD END
6	2	9313065	SETSCREW M10 x 30
7	3	9313066	SETSCREW M12 x 30
8	3	9143006	SELF-LOCKING NUT M12
9	2	9143005	SELF-LOCKING NUT M10
10	3	0901121	GREASE NIPPLE 3/8" BSP - STRAIGHT
11	2	45613.01	PIN - AHC RAM
12	4	7213023	PLASTIC BUSH 1 1/2" x 1 3/4"
13	3	9501507	SPLIT PIN M6 x 50
14	1	43048.06	RETAINING BRACKET
15	1	43048.05	HOOK
16	2	9313044	SETSCREW M8 x 20
17	2	9100204	SPRING WASHER M8

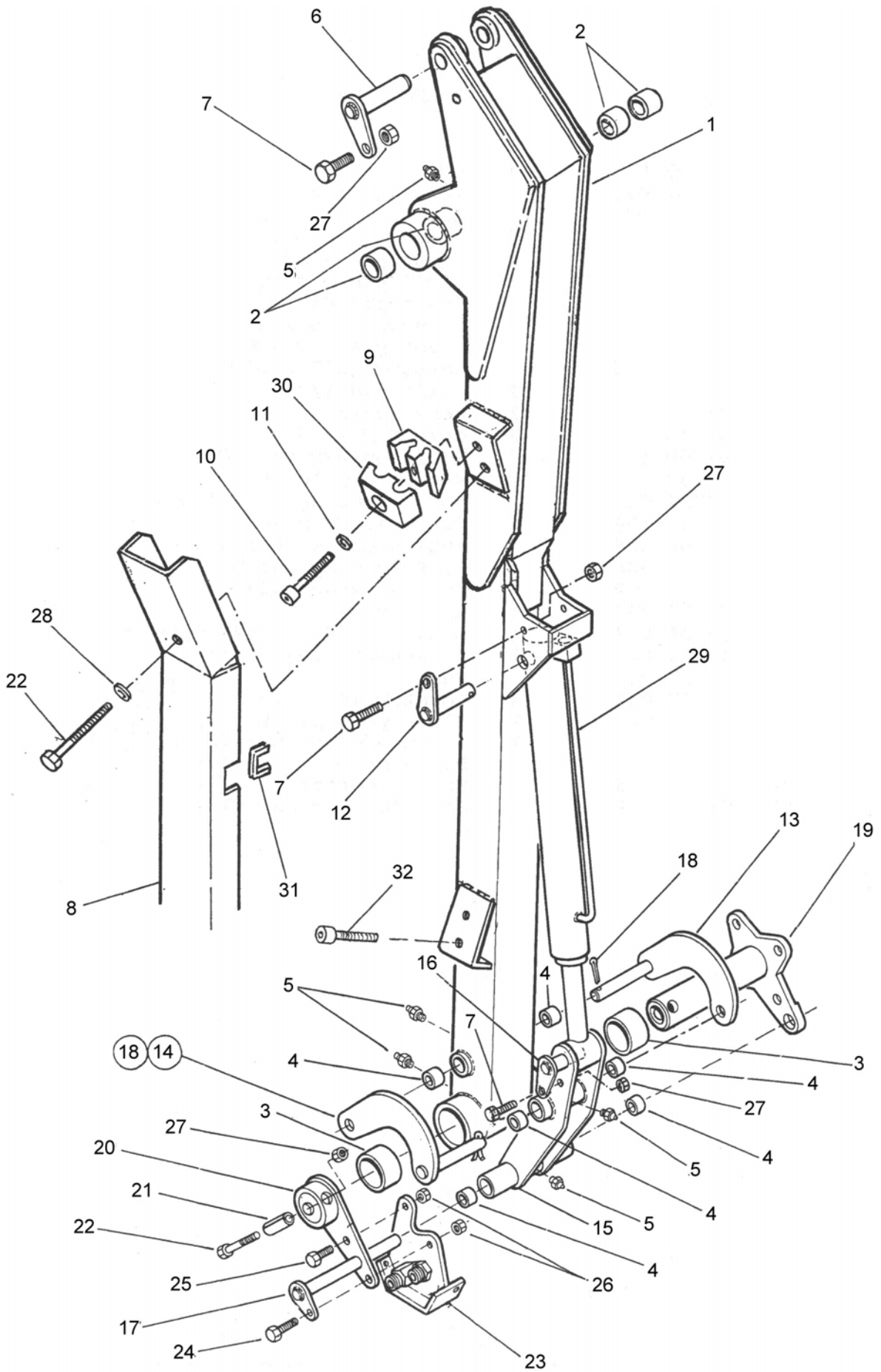




**MAIN ARM ASSEMBLY**

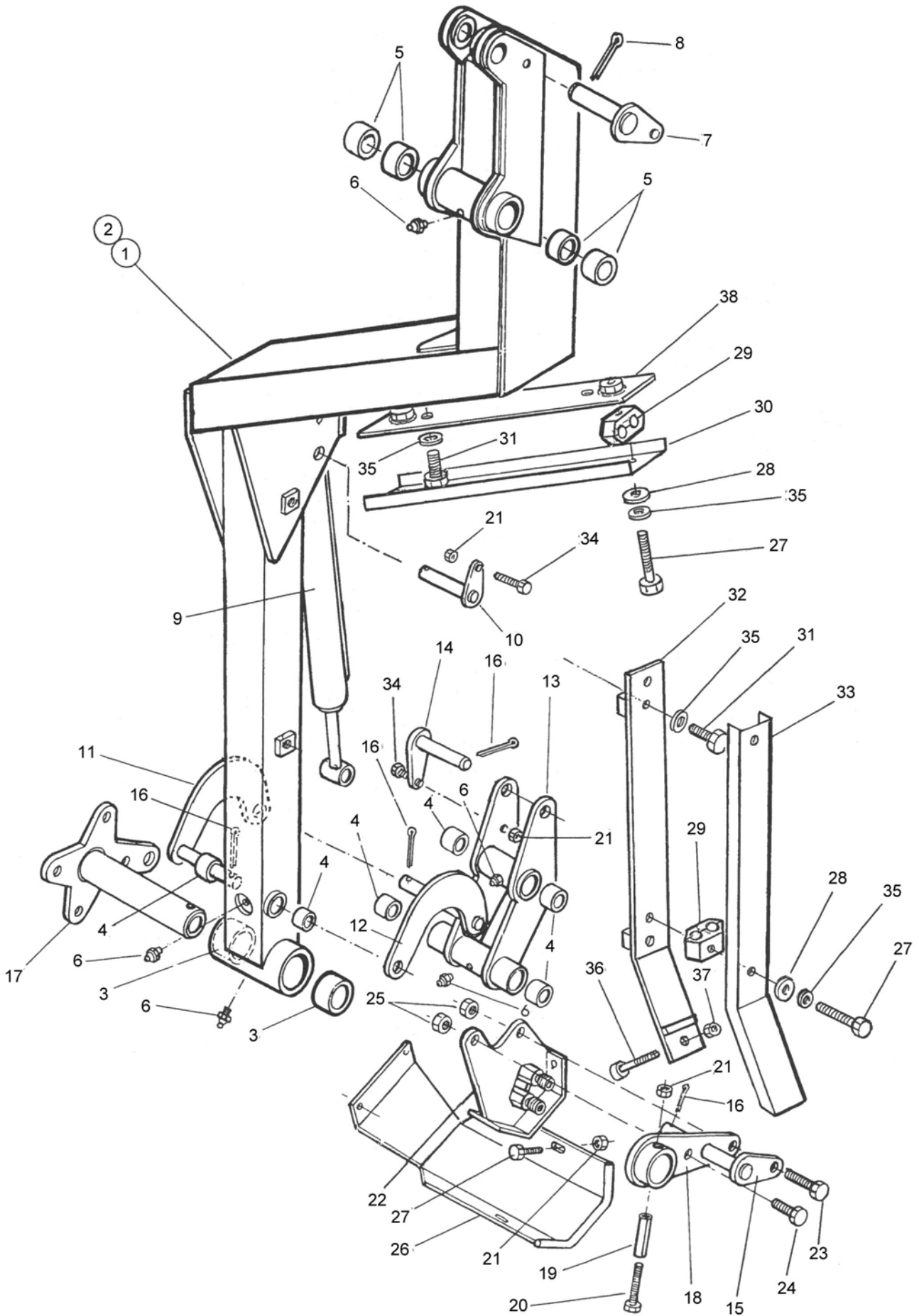
REF.	QTY.	PART NO.	DESCRIPTION	
1	1	41597.06	MAIN ARM	
2	1	41662.02	TENSION LINK	
3	4	6012032	BUSH	
4	1	0901121	GREASER 1/8" BSP - STRAIGHT	
5	1	41686.01	PIVOT PIN - MAIN ARM	
6	1	41687.01	PIVOT PIN - DIPPER ARM	
7	2	9501509	SPLIT PIN DIA 10 x 50	
8	2	9313067	SETSCREW M16 x 30	
9	1	41688.01	PIVOT PIN - REACH RAM ROD	
10	1	9313076	SETSCREW M12 x 35	
11	1	0503166	SPLIT PIN DIA 1/4" x 2" LONG	
12	1	41665.02	HOSE GUARD	
13	2	9213185	BOLT M10 x 90	
14	2	9100105	PLAIN WASHER DIA 10	
15	2	06.430.19	HOSE CLAMP - LOWER	
16	1	42024.06	HOSE CLAMP - UPPER (1 PAIR)	
17	2	9243154	CAPSCREW M8 x 75	
18	2	9100404	SHAKEPROOF WASHER DIA 8	
19	1	9143006	SELF LOCKING NUT M12	
20	2	9100207	SPRING WASHER DIA 12	
21	1	7193334	REACH RAM	
22	1	901124	GREASER 1/8" BSP - 67 DEGREES	
23	1	43021.01	TRANSPORT PROP	} STD. ARM MACHINES ONLY
24	2	1075041	PAD	
25	4	1075047	COUNTERSUNK RIVET	
26	1	43023.01	PIN - PROP PIVOT	
27	1	9501406	SPLIT PIN DIA 5 x 40	
28	1	43020.01	PIN - PROP STOWAGE	
29	1	431105	SPRING COTTER	
30	3	9143005	SELF LOCKING NUT M10	

DIPPER ARM ASSEMBLY



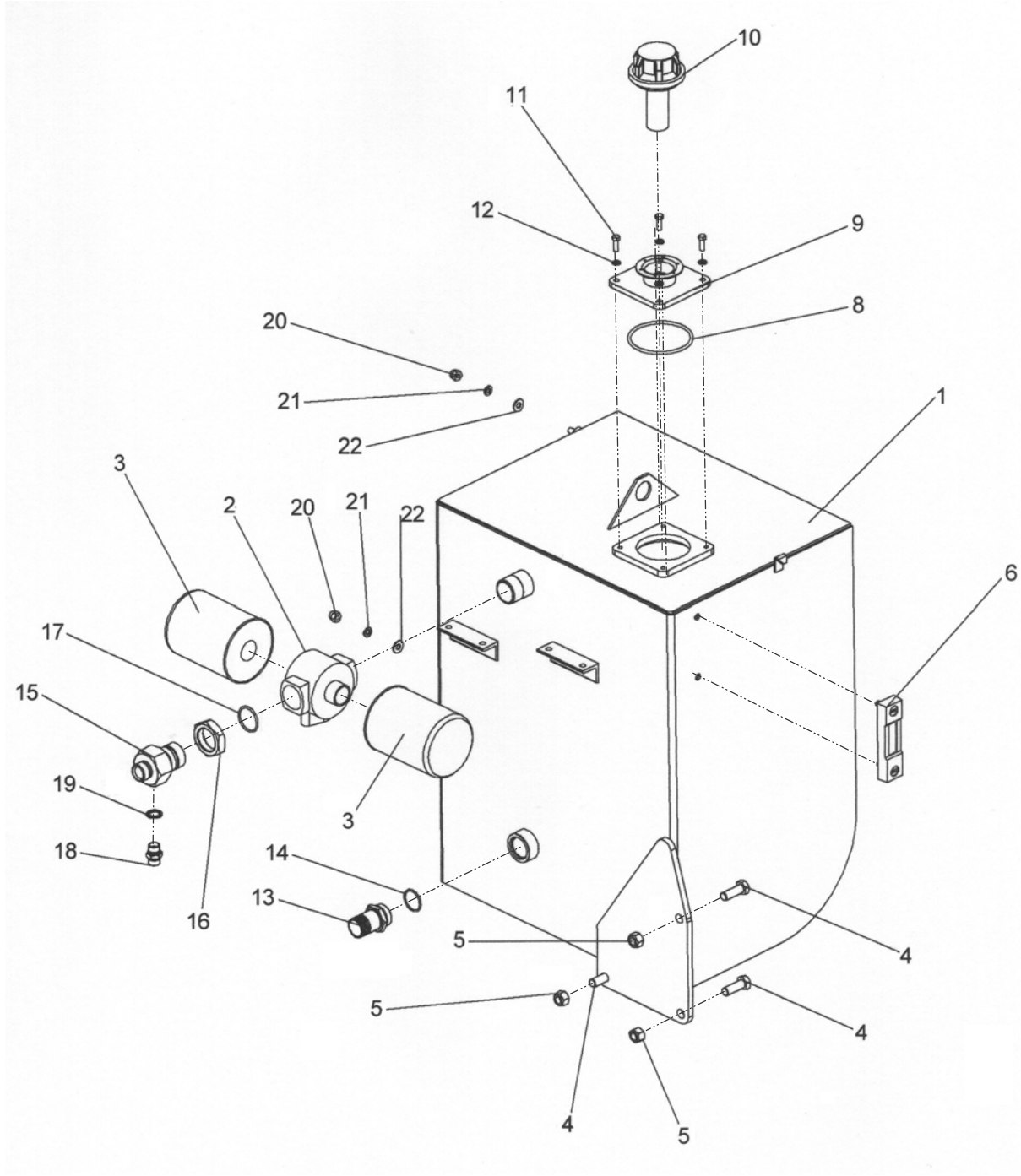
**DIPPER ARM ASSEMBLY**

REF.	QTY.	PART NO.	DESCRIPTION
1	1	41649.01	DIPPER ARM
2	4	7213023	BUSH - DIPPER PIVOT
3	2	7136035	NYLON HEAD BUSH
4	6	41690.01	BUSH 1" DIA.
5	5	0901121	GREASER 1/8" BSP - STRAIGHT
6	1	41692.01	PIN - TENSION LINK
7	3	9313075	SETSCREW M10 x 35
8	1	41665.04	HOSE GUARD
9	1	06.430.19	HOSE CLAMP - LOWER
10	1	9243154	CAPSCREW M8 x 75
11	2	9100404	SHAKEPROOF WASHER DIA. 8
12	1	41691.01	PIN - ANGLE RAM BASE
13	1	7450251	RADIUS ARM - FRONT
14	1	7450250	RADIUS ARM - REAR
15	1	7450252	SLAVE LINK
16	1	41693.01	PIN - ANGLE RAM ROD
17	1	7192009	PIN 1" - SLAVE LINK
18	4	9501406	SPLIT PIN DIA.5 x 40
19	1	7192308	HEAD PIVOT TUBE
20	1	7192316	JAW PLATE
21	1	0423548	SPRING DOWEL 5/8" DIA. X 3" LONG
22	3	9213185	BOLT M10 x 90
23	1	7195303	HOSE JUNCTION BRACKET
24	1	0211146	BOLT 5/8" UNF x 1 3/4" LONG
25	1	0211126	BOLT 5/8" UNF x 1 1/2" LONG
26	2	0141006	SELF LOCKING NUT 5/8" UNF
27	4	9143005	SELF LOCKING NUT M10
28	2	9100105	PLAIN WASHER DIA.10
29	1	7560344	ANGLING RAM
30	1	7193065	HOSE CLAMP - UPPER
31	1	41741.01	RUBBER EDGE STRIP
32	1	9243124	CAPSCREW M8 x 60





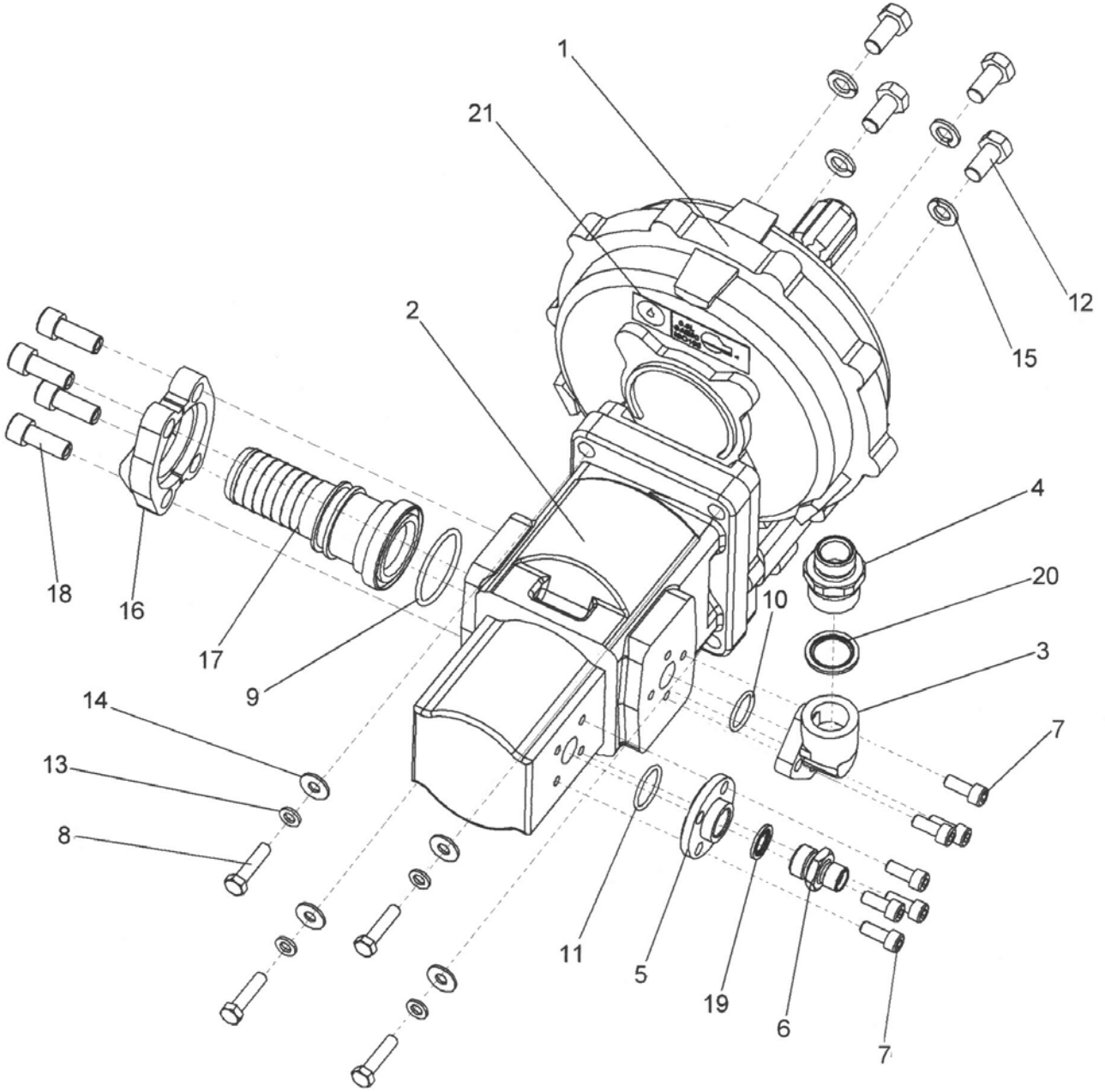
REF.	QTY.	PART NO.	DESCRIPTION
1	1	7193345	DIPPER ARM
2	2	7136035	BUSH - HEAD PIVOT
3	6	41690.01	BUSH - RADIUS ARM PIVOT AND SLAVE LINK
4	4	7213023	BUSH - DIPPER PIVOT
5	5	0901121	GREASER
6	1	7193025	PIVOT PIN - TENSION LINK
7	1	0503166	SPLIT PIN
8	1	7560344	ANGLE RAM ASSEMBLY
9	1	7193044	PIVOT PIN - ANGLE RAM BASE
10	1	7450251	RADIUS ARM - FRONT
11	1	7450250	RADIUS ARM - REAR
12	1	7192309	SLAVE LINK
13	1	41693.01	PIVOT PIN - ANGLE RAM ROD
14	1	7192009	PIVOT PIN - SLAVE LINK
15	4	9501406	SPLIT PIN DIA.
16	1	7192308	HEAD PIVOT TUBE
17	1	7192316	JAW PLATE
18	1	0423548	SPRING DOWEL
19	1	9213185	BOLT
20	6	9143005	SELF LOCKING NUT
21	1	7195303	HOSE JUNCTION BRACKET
22	1	0211146	BOLT
23	1	0211126	BOLT
24	2	0141006	SELF LOCKING NUT
25	1	7192324	HOSE TRAY - DIRECT DRIVE HEAD
	1	7290346	HOSE TRAY - BELT DRIVE HEAD
26	4	9213145	BOLT M10 x 70
27	4	9100105	PLAIN WASHER DIA. 10
28	5	42024.06	HOSE CLAMP - 1 PAIR
29	1	7193047	HOSE COVER
30	6	9313045	BOLT
31	1	42951.01	HOSE GUIDE
32	1	7193048	HOSE COVER
33	2	9313055	SETSCREW
34	8	9100305	INTERNAL SERRATED WASHER
35	1	9243154	CAPSCREW
36	1	9143004	SELF LOCKING NUT
37	1	42952.01	HOSE GUIDE





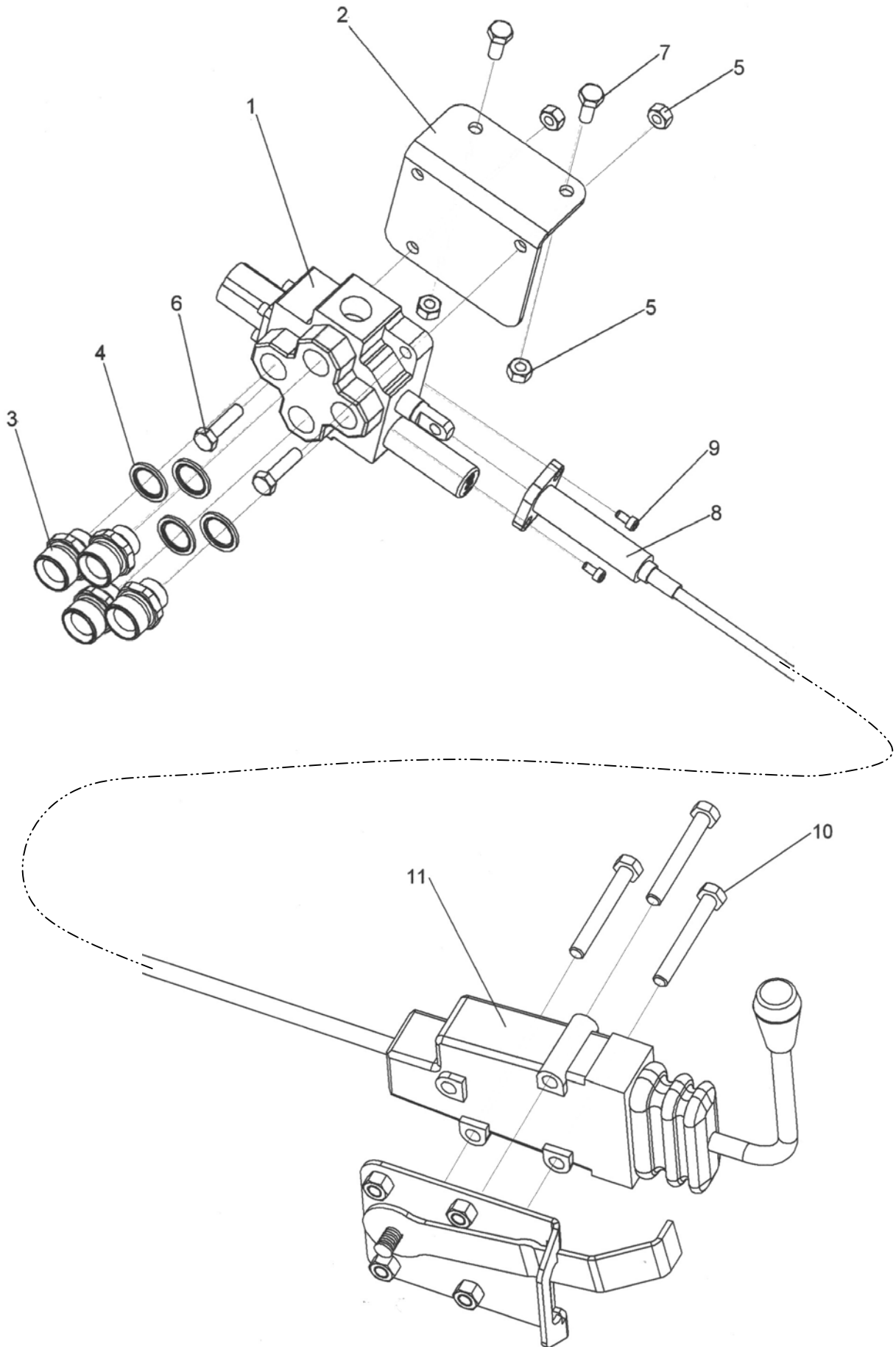
REF.	QTY.	PART No.	DESCRIPTION
1	1	45243.02	TANK
2	1	8401060	RETURN FILTER HEAD
3	2	8401041	FILTER ELEMENT
4	3	9313097	SETSCREW M16 x 45
5	3	9143007	SELF-LOCKING NUT M16
6	1	8401048	LEVEL GAUGE
7	1	8581203	TAPER PLUG 1" BSP HOLLOW
8	1	8600151	'O' RING
9	1	43175.01	COVER PLATE
10	1	8401074	FILLER BREATHER PRESS.
11	4	9313054	SETSCREW M8 x 25
12	4	9100204	SPRING WASHER M8
13	1	8581260	ADAPTOR 1.25" BSP x 1.5" LP
14	1	8700784	'O' RING
15	1	8581425	ADAPTOR 1" BSP x 1 1/2" BSP
16	1	8581422	ADAPTOR BACKNUT 1.5" BSP
17	1	8600302	'O' RING
18	1	8581110	ADAPTOR 1/2" BSP x 1/2" BSP
19	1	8650104	BONDED SEAL 1/2" BSP
20	2	9100025	DOME NUT M10
21	2	9100205	SPRING WASHER M10
22	2	9100105	FLAT WASHER M10





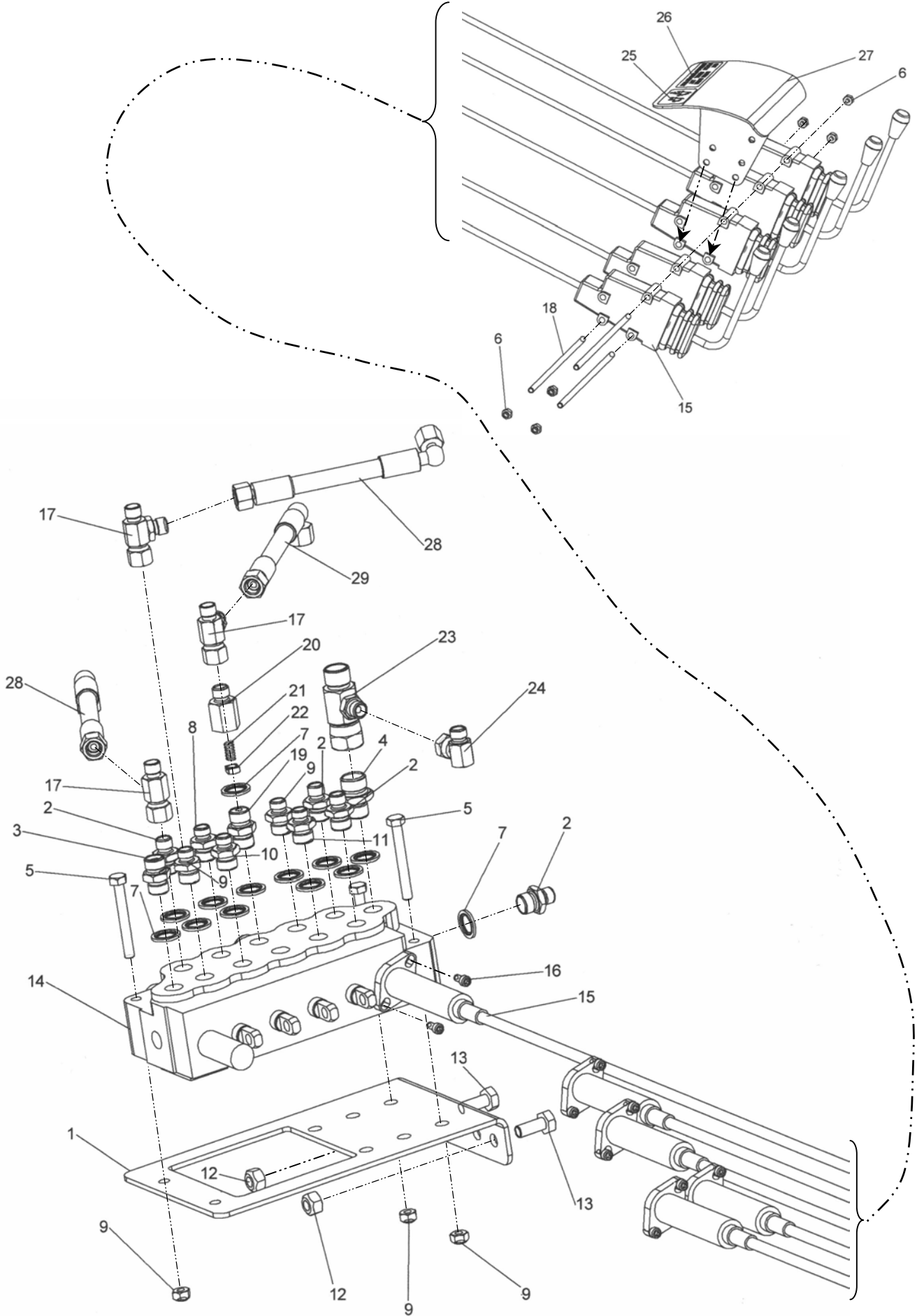
**PUMP & GEARBOX ASSEMBLY**

REF.	QTY.	PART NO.	DESCRIPTION
1	1	8013444	GEARBOX LS 4.3
2	1	8201700	PUMP IRON TI
3	1	8005052	PRESSURE CONNECTION
4	1	8002086	ADAPTOR 3/4" x 1" BSP MM
5	1	42029.01	PORT PLATE 1/2" BSP
6	1	6000112	ADAPTOR 3/8" x 1/2" BSP MM
7	7	9300147	CAPSCREW M8 x 20
8	4	9313074	SETSCREW M8 x 35
9	1	8600303	'O' RING
10	1	8600403	'O' RING
11	1	8600405	'O' RING
12	4	9313056	SETSCREW M12 x 25
13	4	9100204	SPRING WASHER M8
14	4	9100104	FLAT WASHER M8
15	4	9100206	SPRING WASHER M12
16	1	41.294.01	SPLIT FLANGE PAIR 1.1/2" SAE
17	1	41.294.03	ADAPTOR FLANGE 1.5SAExLP
18	4	9343066	CAPSCREW M12 x 30
19	1	8650103	BONDED SEAL 3/8" BSP
20	1	8650106	BONDED SEAL 3/4" BSP
21	1	1290054	GEARBOX LABEL



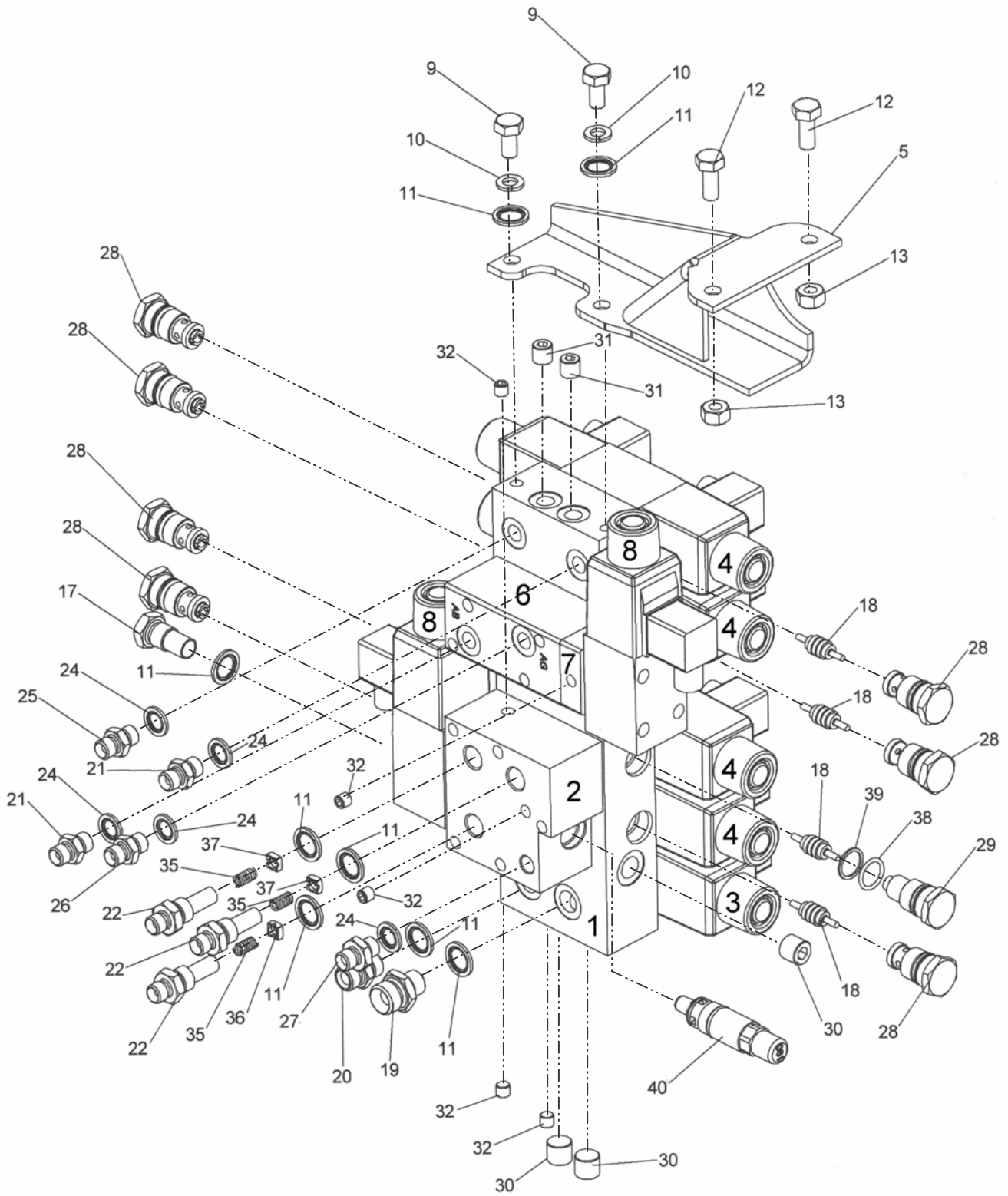
**ROTOR CONTROL VALVE**

REF.	QTY.	PART NO.	DESCRIPTION
1	1	8125356	ROTOR CONTROL VALVE
2	1	45338.01	PLATE
3	4	8002086	ADAPTOR 3/4 x 1" BSP MM
4	4	8650106	BONDED SEAL 3/4" BSP
5	4	9143005	SELF-LOCKING NUT M10
6	2	9213085	BOLT M10 x 40
7	2	9313055	SETSCREW M10 x 25
8	1	04.265.92	CABLE ASSEMBLY 2.5m ROTOR
9	2	9343023	CAPSCREW M6 x 12
10	3	9213124	BOLT M8 x 60
11	1	42511.01	BALKING ASSEMBLY - MORSE CABLES



**CONTROL VALVE (Cable)**

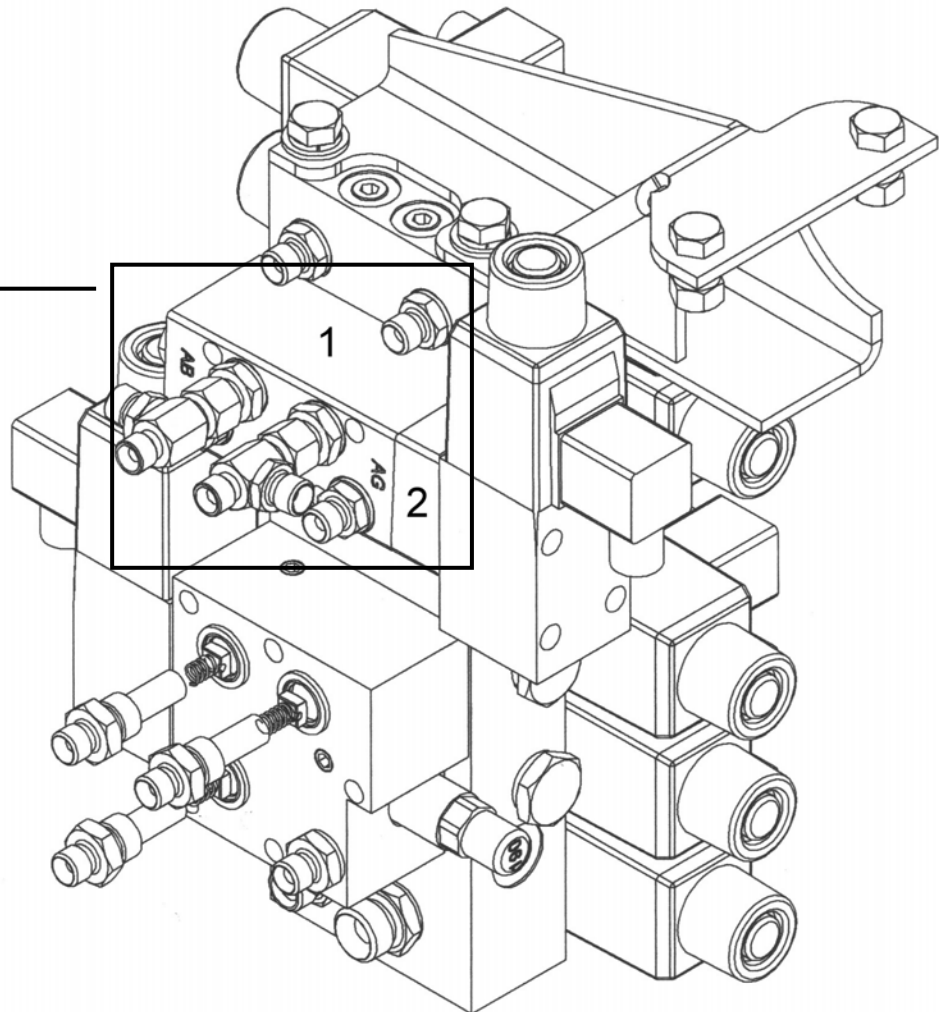
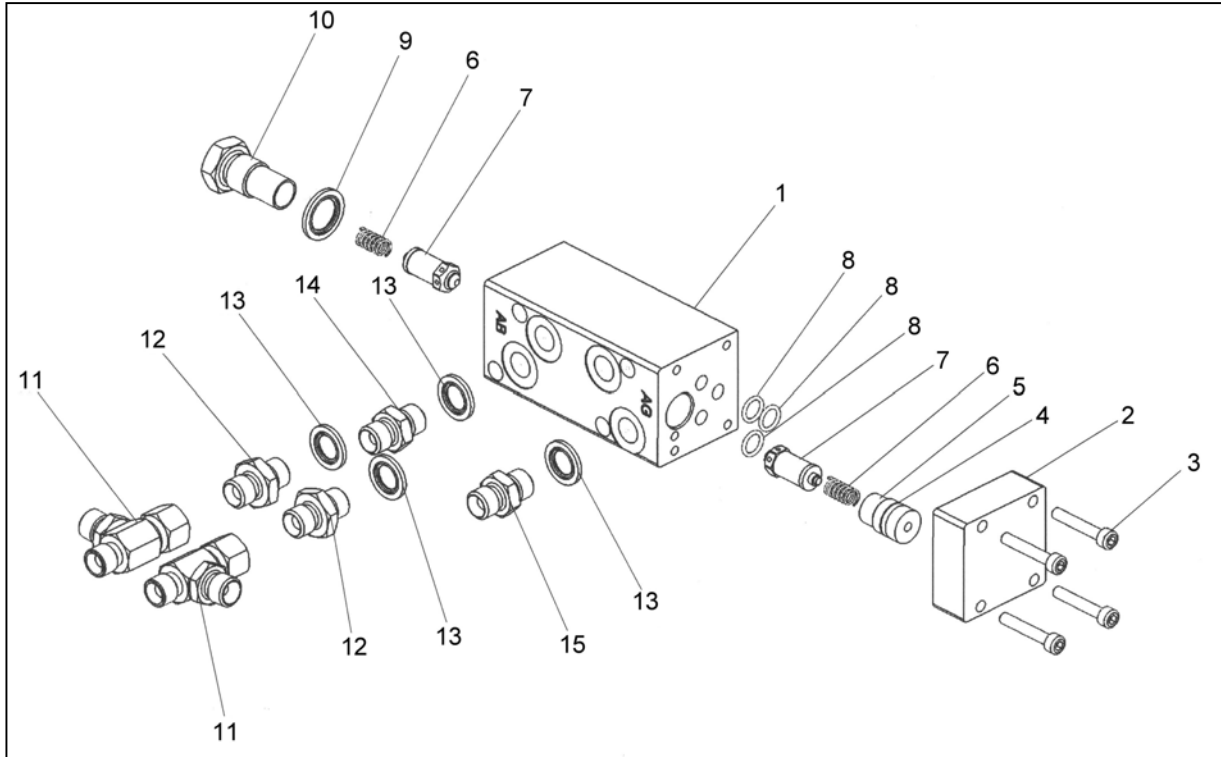
REF.	QTY.	PART NO.	DESCRIPTION
1	1	45274.03	VALVE BRACKET
2	4	8581115	ADAPTOR 1/4" x 3/8" BSP MM
3	1	6000113	ADAPTOR 3/8" BSP MM
4	1	6000112	ADAPTOR 3/8" x 1/2" BSP MM
5	3	9213134	BOLT M8 x 65
6	9	9143004	SELF-LOCKING NUT M8
7	13	8650103	BONDED SEAL 3/8" BSP
8	1	8130047	ADAPTOR RESTRICTOR 1.8 'B'
9	2	8130066	ADAPTOR RESTRICTOR 1.15 'M'
10	1	8130046	ADAPTOR RESTRICTOR 1.5 'A'
11	1	8130048	ADAPTOR RESTRICTOR 1.3 'C'
12	2	9143005	SELF-LOCKING NUT M10
13	2	9313055	SETSCREW M10 x 25
14	1	8130634	VALVE 5 SPOOL
15	5	04.265.87	CABLE ASSY 3.0m ARM
16	10	9243022	CAPSCREW M5 x 12
17	3	8581254	ADAPTOR TEE 1/4" BSP MFM
18	3	04.282.43	STUD M8 x 240
19	1	8581209	ADAPTOR 3/8" BSP MM FLAT
20	1	8581214	ADAPTOR 3/8" BSP MF BODY
21	1	8116011	SPRING OD.275 x 5/8" LG
22	1	8123041	RESTRICTOR DISC
23	1	04.056.25	ADAPTOR TEE 1/2" BSP MF+1/4"M
24	1	8581190	ADAP ELBOW 90 1/4" BSP MF
25	1	1290357	CONTROL STICKER
26	1	1290368	CONTROL STICKER
27	1	42256.03	ARM REST 4 BOWDEN CABLES
28	2	10.002.04	HOSE 1/4" BSP FS/F90 200
29	1	10.002.08	HOSE 1/4" BSP FS/F90 400



**CONTROL VALVE (Std. Electric)**

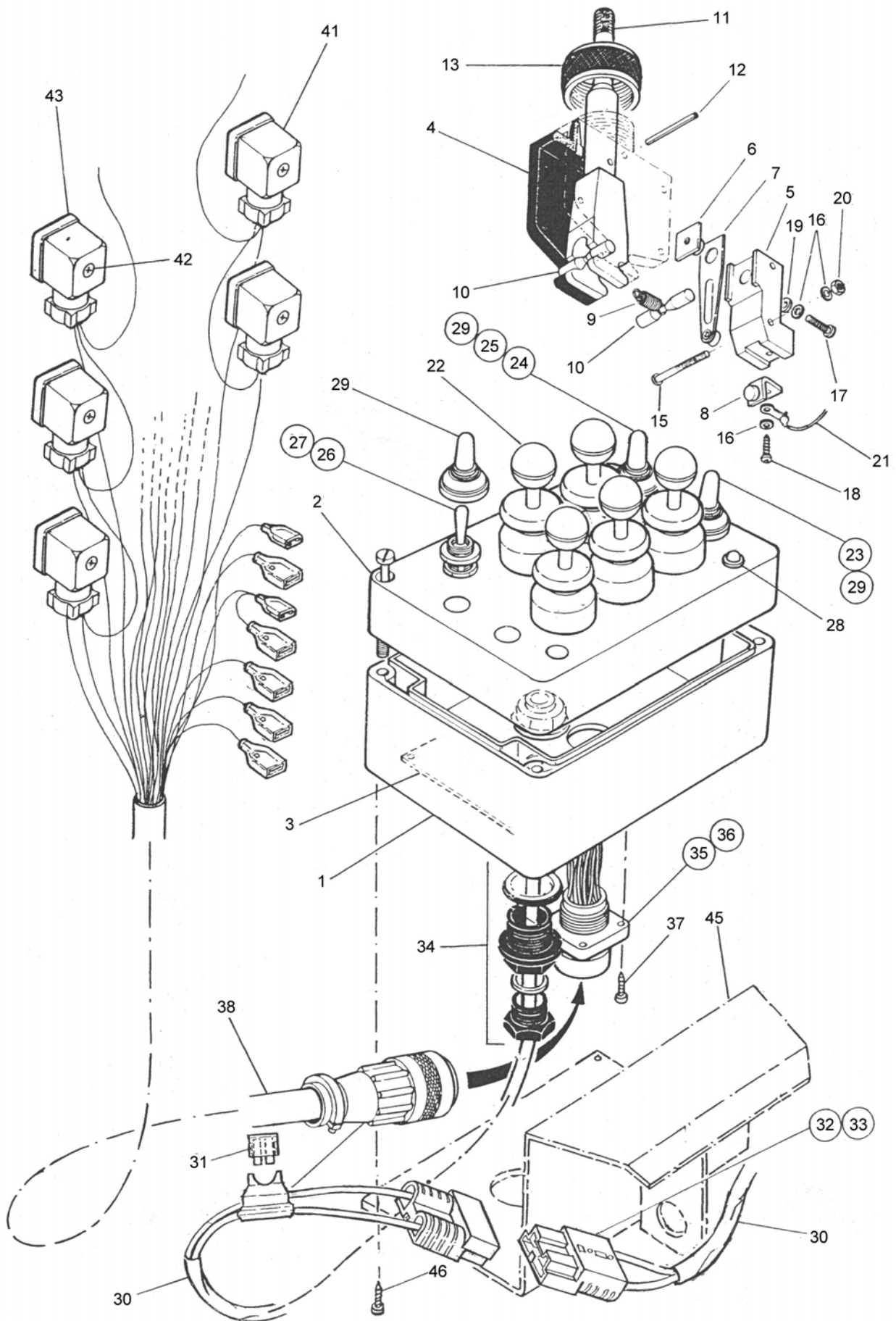
REF.	QTY.	PART NO.	DESCRIPTION
1	1	8132268	BLOCK - MANIFOLD ASSEMBLY
2	1	8130348	BLOCK - SLEW CIRCUIT
3	1	8130456	CUT OFF SOLENOID VALVE
4	4	8130629	VALVE DOUBLE SOLENOID
5	1	45277.02	BRACKET
6	1	8130323	FLOAT VALVE BLOCK
7	1	8126280	BRIDGING PLATE
8	2	8130457	SOLENOID VALVE - SINGLE
9	2	9313045	SETSCREW M10 x 20
10	2	9100205	SPRING WASHER M10
11	8	8650103	BONDED SEAL 3/8" BSP
12	2	9313055	SETSCREW M10 x 25
13	2	9143005	SELF-LOCKING NUT M10
14	24	9243062	CAPSCREW M5 x 30
15	4	9243102	CAPSCREW M5 x 50
16	9	9243082	CAPSCREW M5 x 40
17	1	8130032	RELIEF VALVE CAP
18	4	8130087	ACTUATOR
19	1	6000112	ADAPTOR 3/8" x 1/2" BSP MM
20	1	6000113	ADAPTOR 3/8" BSP MM
21	2	8130038	ADAPTOR RESTRICTOR 1.4 'L'
22	3	8581210	ADAPTOR 3/8" x 1/4" SPECIAL
23	1	8130092	RELIEF VALVE 190BAR
24	5	8650102	BONDED SEAL 1/4" BSP
25	1	8130105	ADAPTOR RESTRICTOR 1.6 'H'
26	1	8130037	ADAPTOR RESTRICTOR 1.15 'S'
27	1	8581169	ADAPTOR 1/4" BSP MM
28	7	8130090	CHECK VALVE ASSEMBLY
29	1	8130078	CHECK VALVE CAP
30	3	8582043	TAPER PLUG 3/8" BSPT
31	2	8582042	TAPER PLUG 1/4" BSPT
32	5	8582041	TAPER PLUG 1/8" BSPT
33	12	8700511	'O' RING
34	2	8700525	'O' RING
35	3	8116011	SPRING OD.275 x 5/8"LG
36	1	8123041	RESTRICTOR DISC
37	2	8123043	RESTRICTOR DISC
38	1	8700644	'O' RING
39	1	8709644	ANTI EXTRUSION RING
40	1	G3812542	RELIEF VALVE 190BAR
41	1	8402338	LOOM - ANGLE FLOAT
42	1	41844.01	LOOM



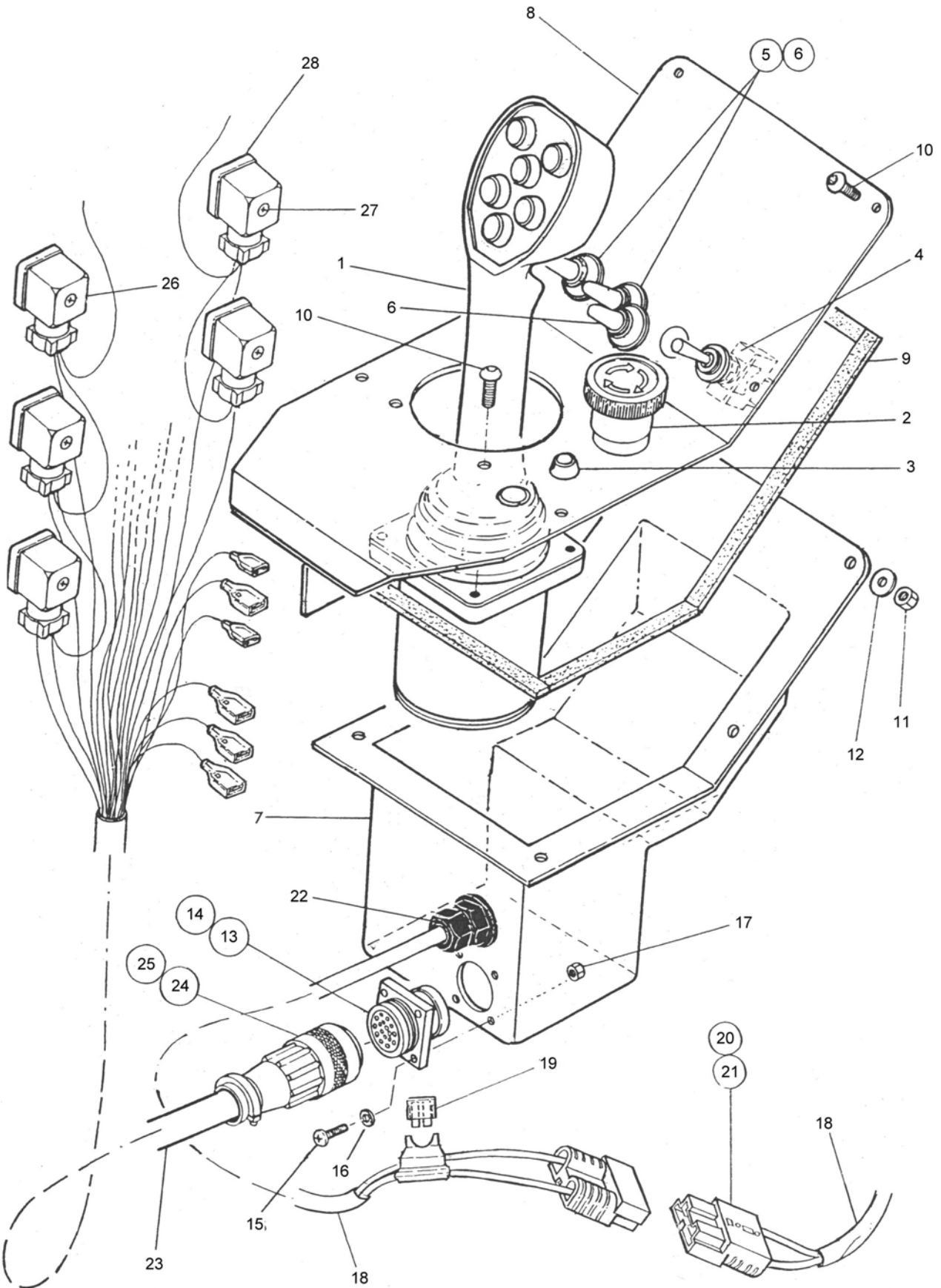


**CONTROL VALVE (Electric AHC)**

REF.	QTY.	PART NO.	DESCRIPTION
1	1	8130361	BLOCK - AHC / ANGLE
2	1	8130139	BLANKING PLATE
3	4	9243062	CAPSCREW M5 x 30
4	1	8130140	VALVE PLUG - AHC
5	1	8600109	'O' RING
6	2	8116011	SPRING OD.275 x 5/8" BSP
7	2	8130141	RELIEF VALVE
8	3	8700511	'O' RING
9	1	8650103	BONDED SEAL 3/8" BSP
10	1	8130032	RELIEF VALVE CAP
11	2	8581254	TEE ADAPTOR
12	2	8581169	ADAPTOR 1/4" BSP MM
13	4	8650102	BONDED SEAL 1/4" BSP
14	1	8130038	ADAPTOR RESTRICTOR 1/4" x 1/4" BSP
15	1	8130037	ADAPTOR RESTRICTOR 1/4" x 1/4" BSP

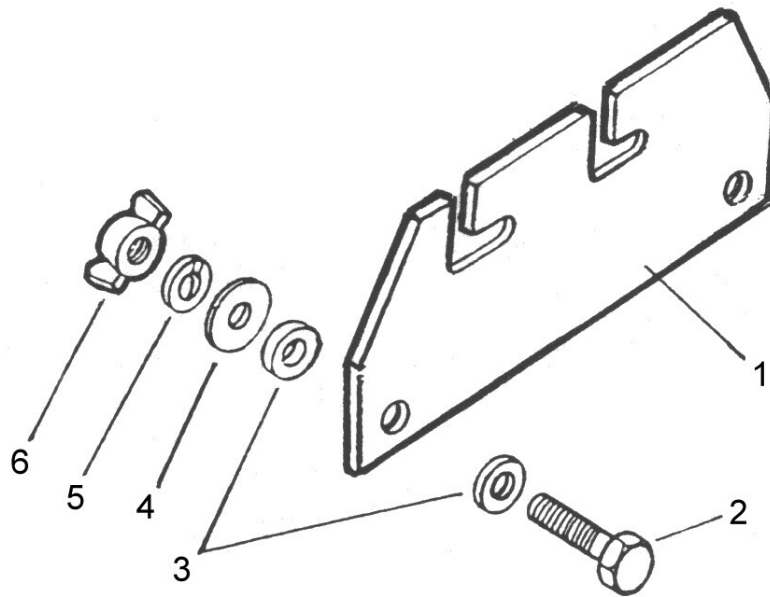


REF.	QTY.	PART NO.	DESCRIPTION
		<b>41845.03</b>	<b>MULTI 5 LEVER SWITCHBOX</b>
1	1	41845.32	BOX
2	1	41845.31	LID c/w SCREWS
3	1	41845.33	CIRCUIT BOARD
	5	8402122	LEVER SWITCH UNIT - COMPRISING:
4	1	8402285	SWITCH BODY
5	2	8402106	CONTACT HOLDER
6	2	8402109	SPRING CONTACT RETAINER
7	2	8402113	SPRING CONTACT
8	2	8402108	FIXED CONTACT
9	1	8402101	SPRING
10	2	8402111	BAR
11	1	8402256	LEVER
12	1	0425320	SPRING DOWEL DIA. 3 x 20
13	1	8402051	BEZEL RING
14	1	8402022	LEVER GAITER
15	4	9200006	SCREW - POSIDRIVE PANHEAD M3 x 25
16	8	9100400	EXTERNAL SERRATED WASHER DIA. 3
17	2	9200005	SCREW - POSIDRIVE PANHEAD M3 x 12
18	2	8402119	SELFTAPPING SCREW No.4 type B x 10mm
19	2	8402120	PLAIN WASHER DIA. 3
20	2	9113000	NUT - PLATED M3
21	5	41845.34	LOOM - LEVER SWITCH
22	5	8402056	KNOB - BLACK
23	1	8402023	SWITCH - POWER ON/OFF
24	1	8402182	SWITCH - SLEW/AUTO RESET
25	1	41845.35	LOOM - SLEW/AUTO RESET SWITCH
26	1	8402197	SWITCH - FLOAT
27	1	41845.37	LOOM - FLOAT SWITCH
28	1	41845.38	L.E.D. AND LOOM
29	3	8402024	WEATHER GAITER
30	1	8402232	POWER LOOM - INCLUDING:
31	1	43034.02	FUSE
32	2	8402230	CONTACTS HOUSING
33	4	8402229	CONTACTS
34	1	8402042	GLAND
35	1	8402189	SOCKET SHELL
36	17	8402192	PIN SOCKET
37	4	2800203	SCREW - No. 10 x 1/2" LONG
38	1	41844.01	WIRING LOOM - INCLUDING
39	1	8402188	SHELL
40	1	8402190	CABLE CLAMP
41	12	07.835.04	PLUG - INCLUDING SCREW & GASKET
42	1	07.835.03	SCREW
43	1	07.835.02	GASKET
44	1	8402193	SPECIAL TOOL
45	1	8402345	MOUNTING BRACKET
46	4	2800243	SELFTAPPING SCREW No.12 x 1/2"

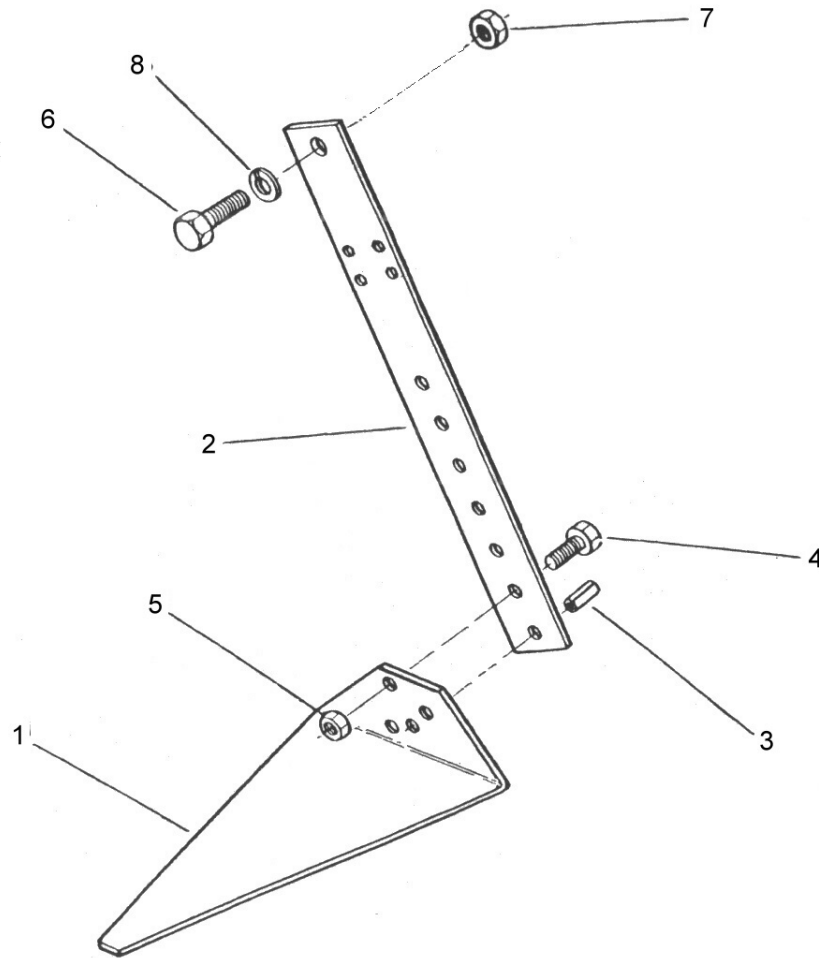




REF.	QTY.	PART NO.	DESCRIPTION
		<b>41590.03</b>	<b>MONOLEVER 6 BUTTON CONTROL ASSEMBLY</b>
1	1	41590.32	JOYSTICK - INCLUDING CIRCUIT BOARD
2	1	8402184	POWER ON / EMERGENCY STOP
3	1	8402174	L.E.D. MAIN POWER ON
4	1	8402182	SWITCH - SLEW / AUTO RESET
5	2	8402023	SWITCH - LIFT AND ANGLE FLOAT
6	3	8402024	WEATHER COVER
7	1	7550300	COVER POD
8	1	7550339	TOP PLATE
9	1	7290052	SEALING STRIP (CUT TO SUIT)
10	10	9300125	SCREW - BUTTON HEAD M6 x 16
11	6	9143003	SELF LOCKING NUT M6
12	6	9100103	WASHER DIA. 6
13	1	8402189	SOCKET SHELL
14	14	8402192	FEMALE SOCKET PIN
15	4	9200007	SCREW - POSIDRIVE PANHEAD M3 x 10
16	4	9100400	EXTERNAL SERRATED WASHER DIA.3
17	4	9100013	NUT - PLATED M3
18	1	8402232	POWER LOOM - INCLUDING:
19	1	43034.03	FUSE
20	2	8402230	CONTACT HOUSING
21	4	8402229	CONTACTS
22	1	8402042	GLAND
23	1	41844.01	WIRING LOOM - INCLUDING:
24	1	8402188	SHELL
25	1	8402190	CABLE CLAMP
26	12	07.835.04	PLUG - INCLUDING:
27	1	07.835.03	SCREW
28	1	07.835.02	GASKET
29	1	8402193	SPECIAL TOOL

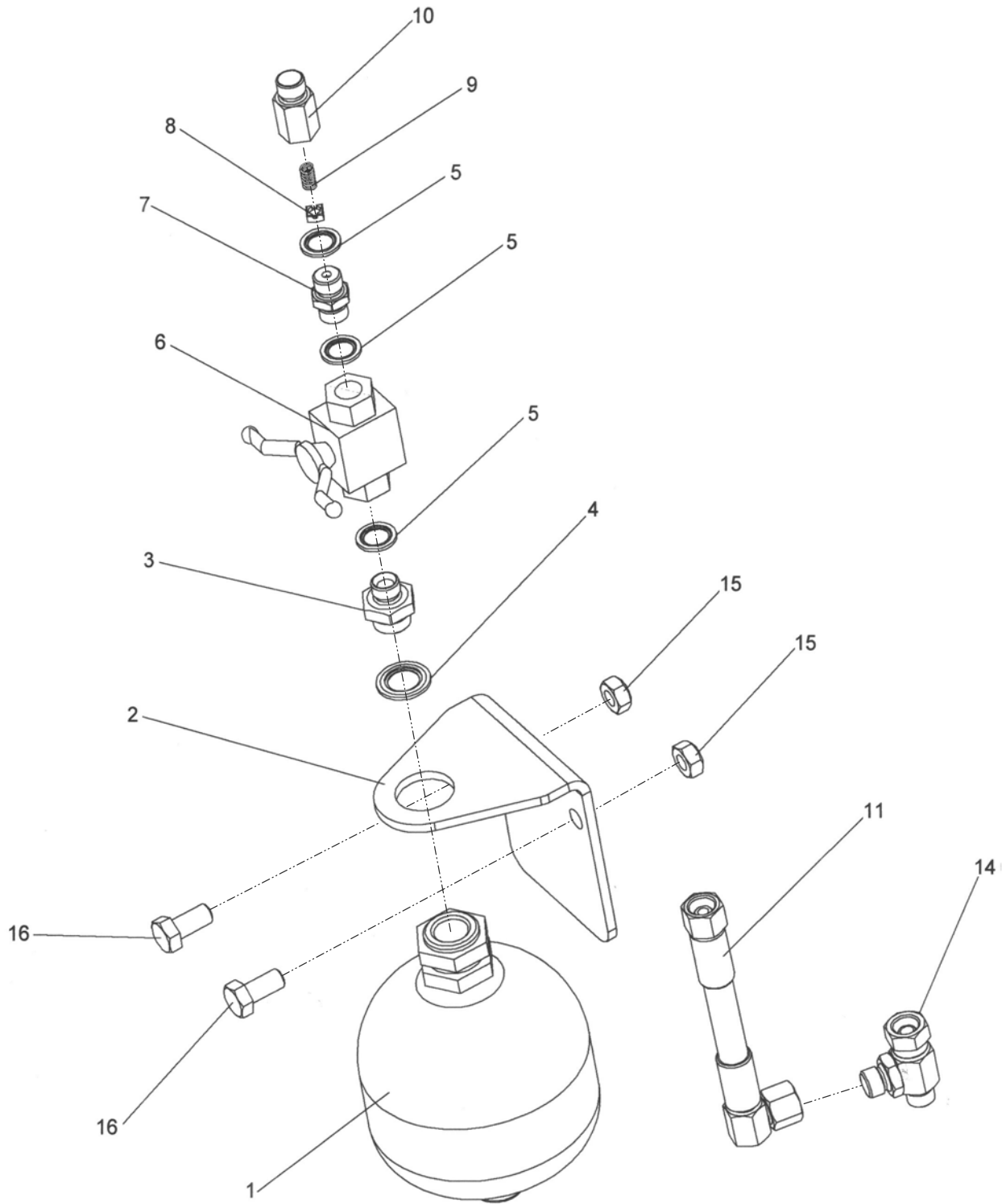


REF.	QTY.	PART NO.	DESCRIPTION
		<b>7313282</b>	<b>CABLE CONTROL UNIT MOUNTING</b>
1	1	42491.01	BRACKET
2	2	9313094	SETSCREW M8 x 45
3	4	03.152.01	RUBBER WASHER
4	2	9100104	PLAIN WASHER DIA. 8
5	2	9100204	SPRING WASHER DIA. 8
6	2	9193004	WINGNUT M8



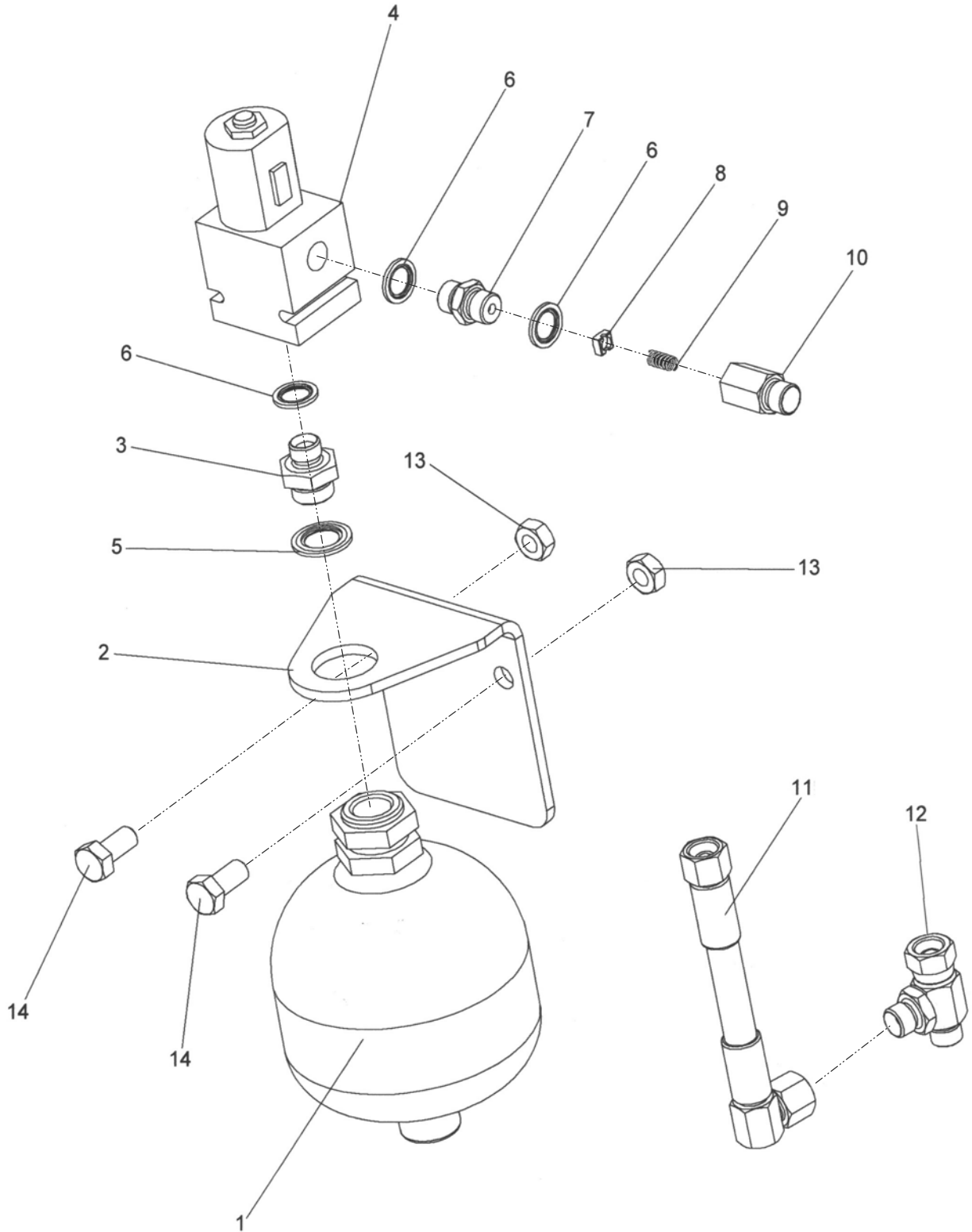
REF.	QTY.	PART NO.	DESCRIPTION
		<b>7190319</b>	<b>ELECTRIC CONTROL UNIT MOUNTING</b>
1	1	7109320	SANDWICH PLATE
2	1	7109146	PILLAR - INCLUDING SPRING DOWEL
3	1	0422816	SPRING DOWEL
4	1	9313066	SETSCREW M12 x 30
5	1	9113006	NUT M12
6	1	9311086	SETSCREW 5/8" UNF x 1" LONG
7	1	0111006	NUT 5/8" UNF
8	1	0100206	SPRING WASHER 5/8" DIA.





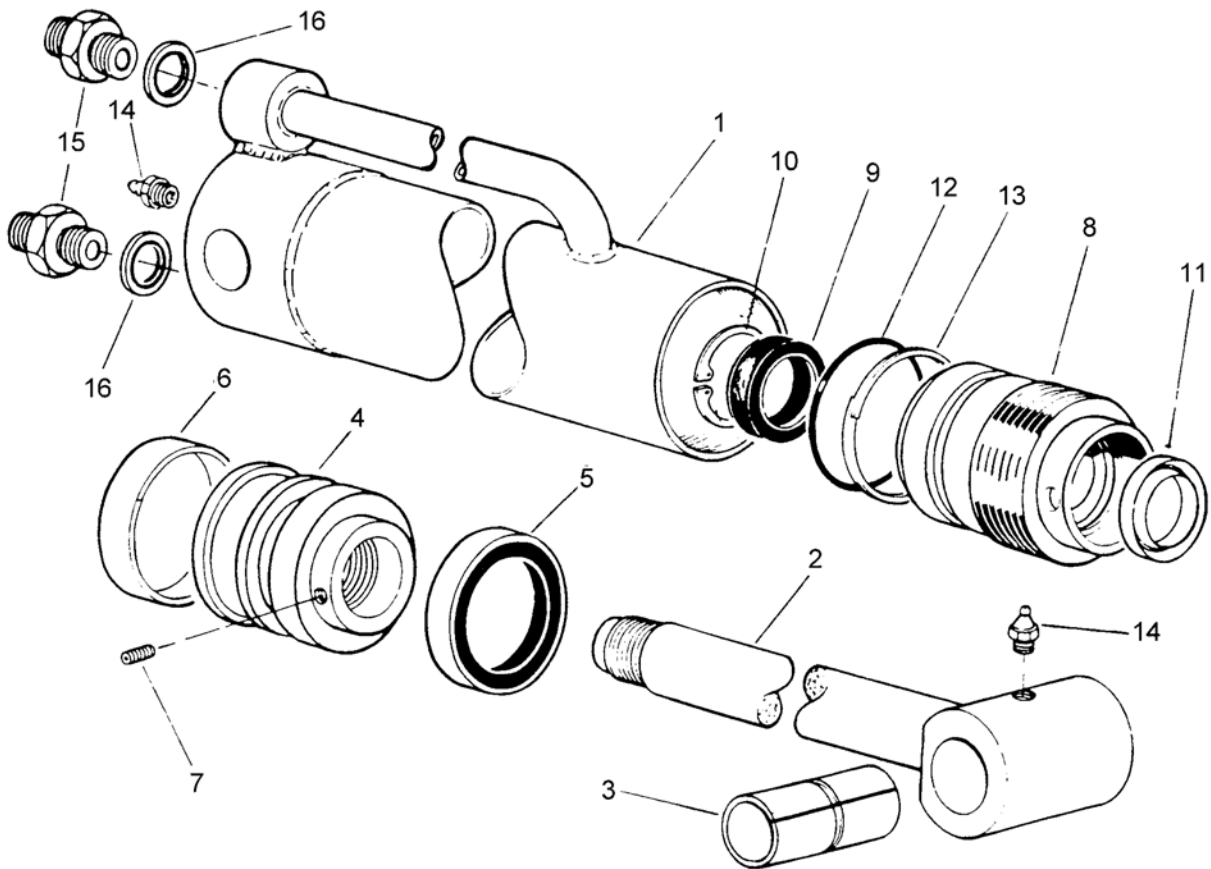
**LIFT FLOAT KIT (Cable Models)**

REF.	QTY.	PART NO.	DESCRIPTION
		<b>8126326</b>	<b>LIFT FLOAT KIT - CABLE MACHINES</b>
1	1	8126044	ACCUMULATOR 1L 25BAR PC
2	1	8126318	BRACKET - FLOAT KIT
3	1	G2410380	ADAPTOR 3/8" BSP x M22 MM
4	1	8650322	BONDED SEAL M22
5	3	8650103	BONDED SEAL 3/8" BSP
6	1	08.200.01	VALVE - ISOLATING
7	1	8581209	ADAPTOR 3/8 BSP MM FLAT
8	1	8123041	RESTRICTOR DISC
9	1	8116011	SPRING OD.275 x 5/8"LG
10	1	8581346	ADAPTOR RESTRICTOR. BODY 3/8mm
11	1	10.004.20	HOSE 3/8" BSP FS/F90 1000
12	1	11.068.69	ADAPTOR TEE 3/8" BSP MFM
13	2	9143006	SELF-LOCKING NUT M12
14	2	9313056	SETSCREW M12 x 25



**LIFT FLOAT KIT (Electric Models)**

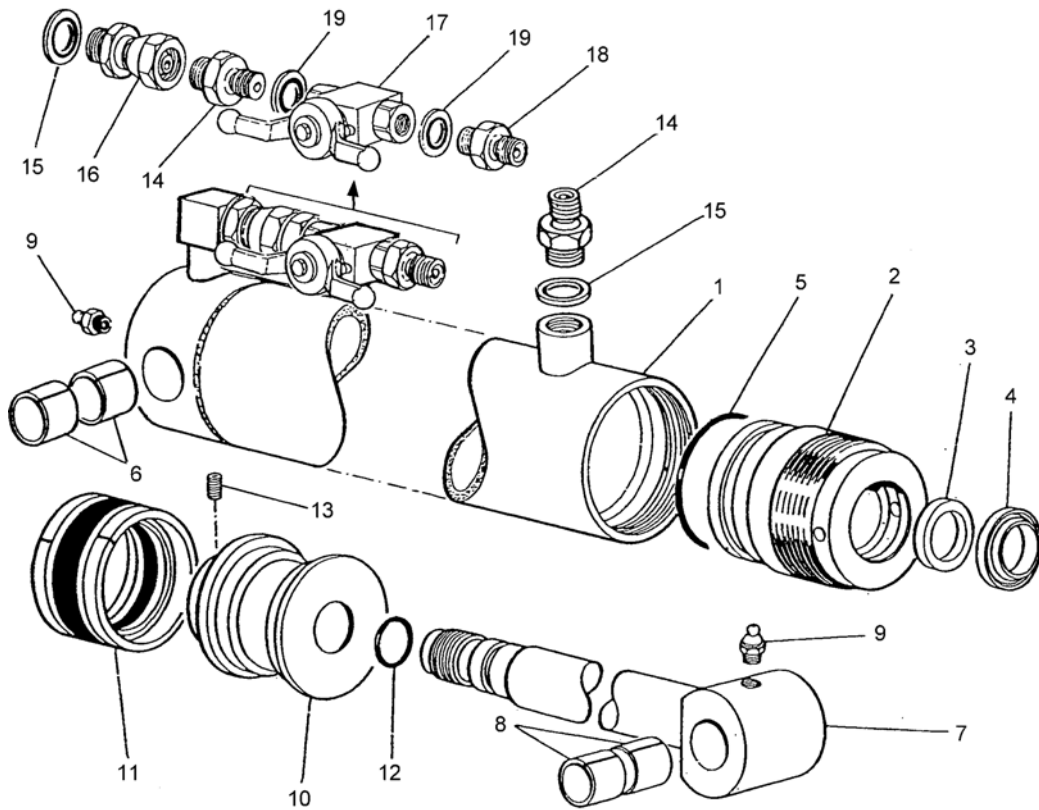
REF.	QTY.	PART NO.	DESCRIPTION
		<b>8126327</b>	<b>LIFT FLOAT KIT - ELECTRIC MACHINES</b>
1	1	8126044	ACCUMULATOR 1L 25BAR PC
2	1	8126318	BRACKET - FLOAT KIT
3	1	G2410380	ADAPTOR 3/8" BSP x M22 MM
4	1	08.619.09	VALVE - MODULAR
5	1	8650322	BONDED SEAL M22
6	3	8650103	BONDED SEAL 3/8" BSP
7	1	8581209	ADAPTOR 3/8" BSP MM FLAT
8	1	8123041	RESTRICTOR DISC
9	1	8116011	SPRING OD.275 x 5/8" LG
10	1	8581346	ADAPTOR RESTRICTOR. BODY 3/8" BSP MM
11	1	10.004.18	HOSE 3/8" BSP FS/F90 900
12	1	11.068.69	ADAPTOR TEE 3/8" BSP MFM
13	2	9143006	SELF-LOCKING NUT M12
14	2	9313056	SETSCREW M12 x 25
15	1	84 02 207	LOOM - LIFT FLOAT - <i>not illustrated</i>



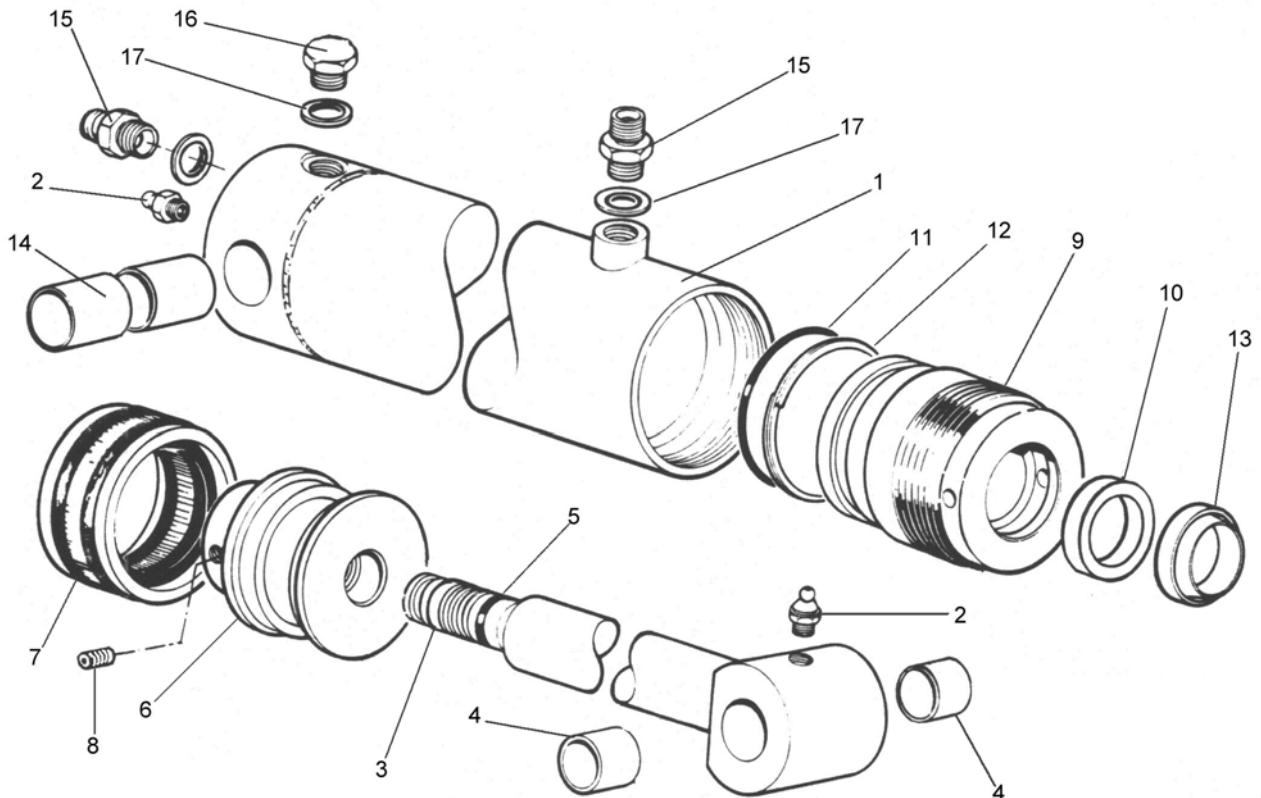
REF.	QTY.	PART NO.	DESCRIPTION
		<b>7560344</b>	<b>ANGLING RAM ASSEMBLY</b>
1	1	7135292	CYLINDER
2	1	7135009	ROD
3	1	7105050	BUSH
4	1	7560095	PISTON
5	1	8629187	PISTON SEAL
6	1	8629188	BEARING RING
7*	1	9363023	GRUB SCREW - SOCKET HEAD M6 x 12
8	1	7135291	GLAND HOUSING
9	1	8629148	GLAND SEAL
10	1	0416240	INTERNAL CIRCLIP
11	1	8629149	WIPER SEAL
12	1	8600302	O' RING
13	1	8609302	ANTI EXTRUSION RING
14	2	0901121	GREASER
15	2	8581169	UNION 1/4" BSP MM
16	2	8650102	BONDED SEAL 1/4" BSP
		<b>8699188</b>	<b>SEAL KIT</b>

**\*Assembly note:**

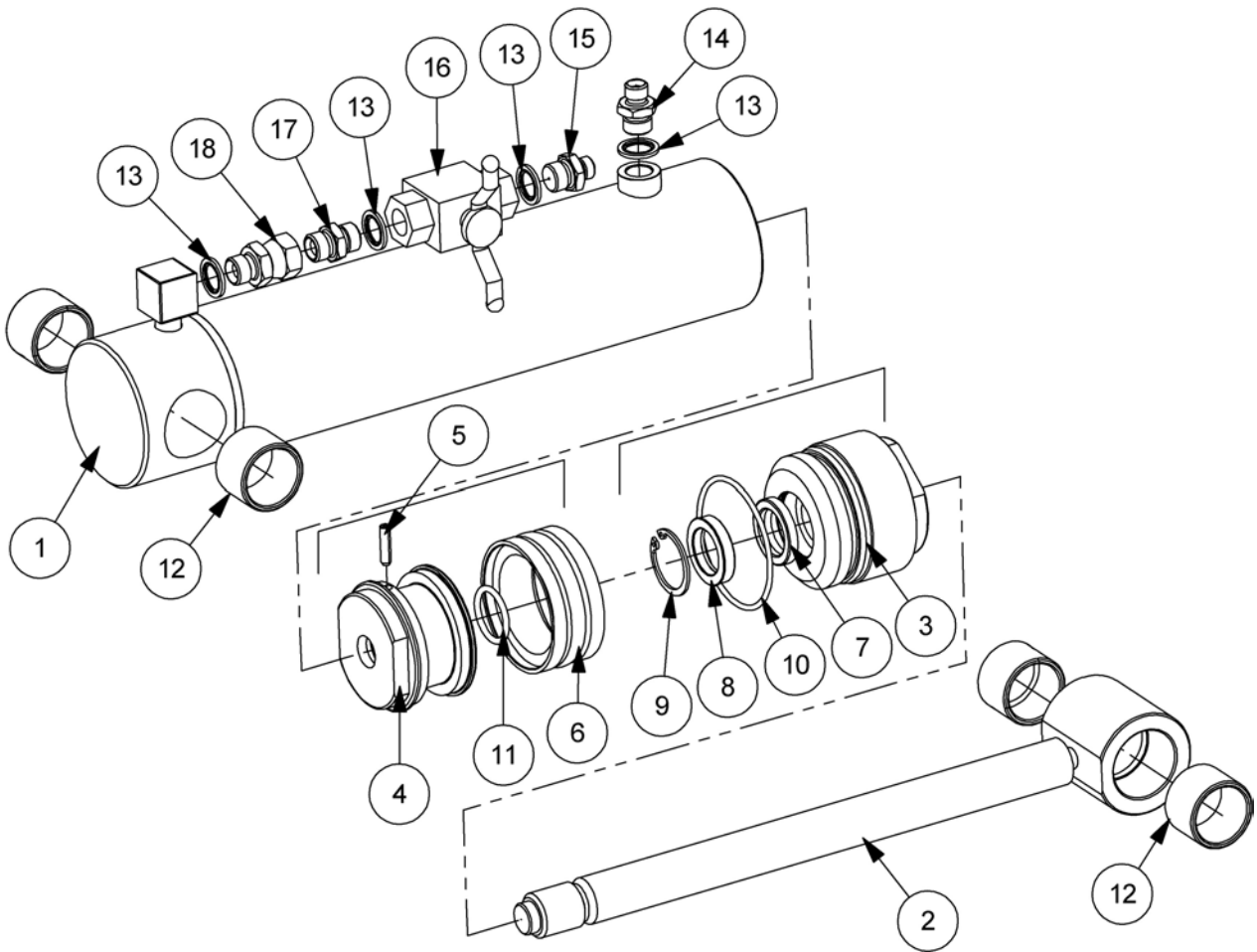
*Tighten fully and centre punch edge of hole to secure.*



REF.	QTY.	PART NO.	DESCRIPTION
		<b>42095.02</b>	<b>LIFT RAM ASSEMBLY</b>
		42095.01	LIFT RAM - Comprising:
1	1	42095.31	BARREL
2	1	42095.38	GLAND HOUSING
3	1	8629158	GLAND SEAL
4	1	8629152	ROD WIPER
5	1	8600742	'O' RING
6	2	7101134	BUSH
7	1	42968.01	ROD
8	2	6012032	BUSH
9	2	0901121	GREASER 1/8" BSP - STRAIGHT
10	1	42095.34	PISTON
11	1	8638742	PISTON SEAL
12	1	8600119	'O' RING
13	1	9363023	GRUBSCREW M6 x 12
14	2	8581115	UNION 3/8" BSP - 1/4" BSP MM
15	2	8650103	BONDED SEAL 3/8" BSP
16	1	8581178	SWIVEL UNION 3/8" BSP MF
17	1	8130181	TAP
18	1	8581169	UNION 1/4" BSP MM
19	2	8650102	BONDED SEAL 1/4" BSP
		<b>8699249</b>	<b>SEAL KIT</b>

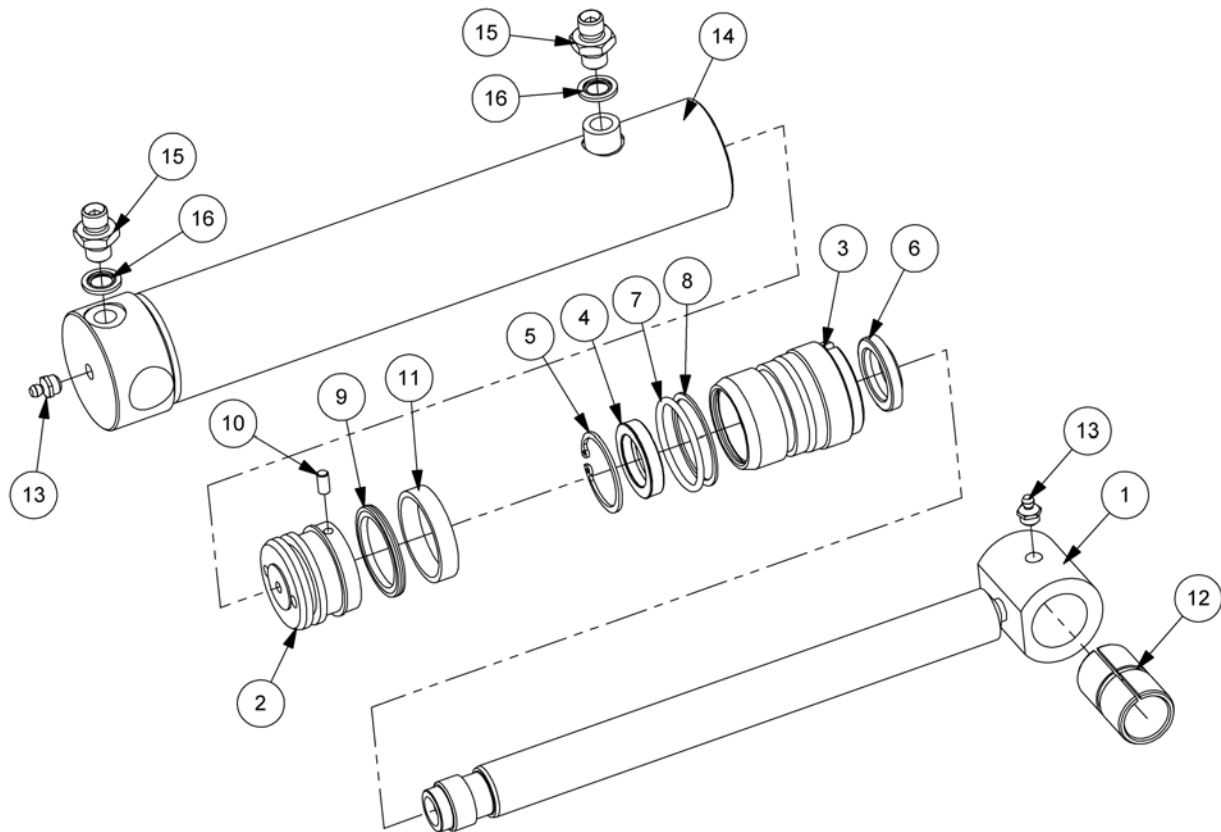


REF.	QTY.	PART NO.	DESCRIPTION
		<b>7193334</b>	<b>REACH RAM ASSEMBLY</b>
			<b>Comprising of:</b>
1	1	7135283	RAM CYLINDER
2	2	0901121	GREASER 1/8" BSP - STRAIGHT
3	1	7193029	PISTON ROD
4	2	6012032	BUSH
5	1	8600119	O' RING
6	1	7135004	PISTON c/w SEAL AND GRUB SCREW
7	1	8638740	PISTON SEAL
8	1	9363023	GRUB SCREW M6 x 12 - SOCKET HEAD
9	1	7135282	GLAND HOUSING
10	1	8629164	GLAND SEAL
11	1	8700740	O' RING
12	1	8709740	ANTI EXTRUSION RING
13	1	8629147	WIPER
14	2	7101134	BUSH - RAM BASE
15	2	8581115	UNION 1/4" BSP - 3/8" BSP M-M
16	1	8003001	PLUG 3/8" BSP
17	3	8650103	BONDED SEAL 3/8" BSP



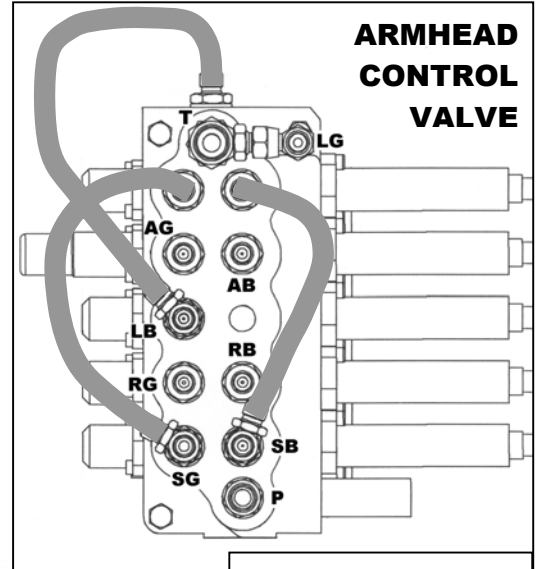
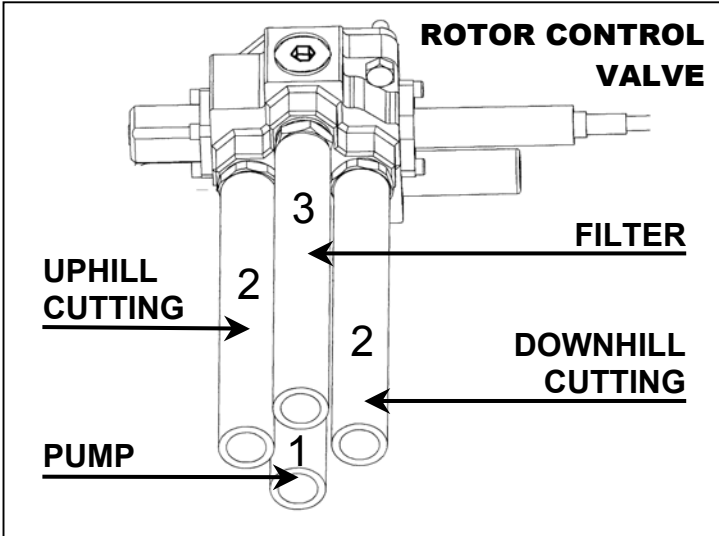
REF.	QTY.	PART NO.	DESCRIPTION
		<b>45288.05</b>	<b>SLEW RAM ASSEMBLY</b>
1	1	45273.05	BARREL
2	1	45275.01	PISTON ROD
3	1	45283.01	GLAND HOUSING
4	1	45276.01	PISTON
5	1	42775.01	DOWEL
6	1	8638740	PISTON SEAL
7	1	8629149	SCRAPER RING
8	1	8629148	GLAND SEAL
9	1	0416240	INTERNAL CIRCLIP
10	1	8700740	O RING
11	1	8600121	O RING
12	4	08.297.05	BUSH
13	4	8650103	BONDED
14	1	8581115	ADAPTOR
15	1	8130066	ADAPTOR RESTRICTOR - 1.15 'M'
16	1	08.200.01	ISOLATING VALVE
17	1	6000113	ADAPTOR
18	1	8581178	SWIVEL ADAPTOR
		<b>8699525</b>	<b>SEAL KIT</b>



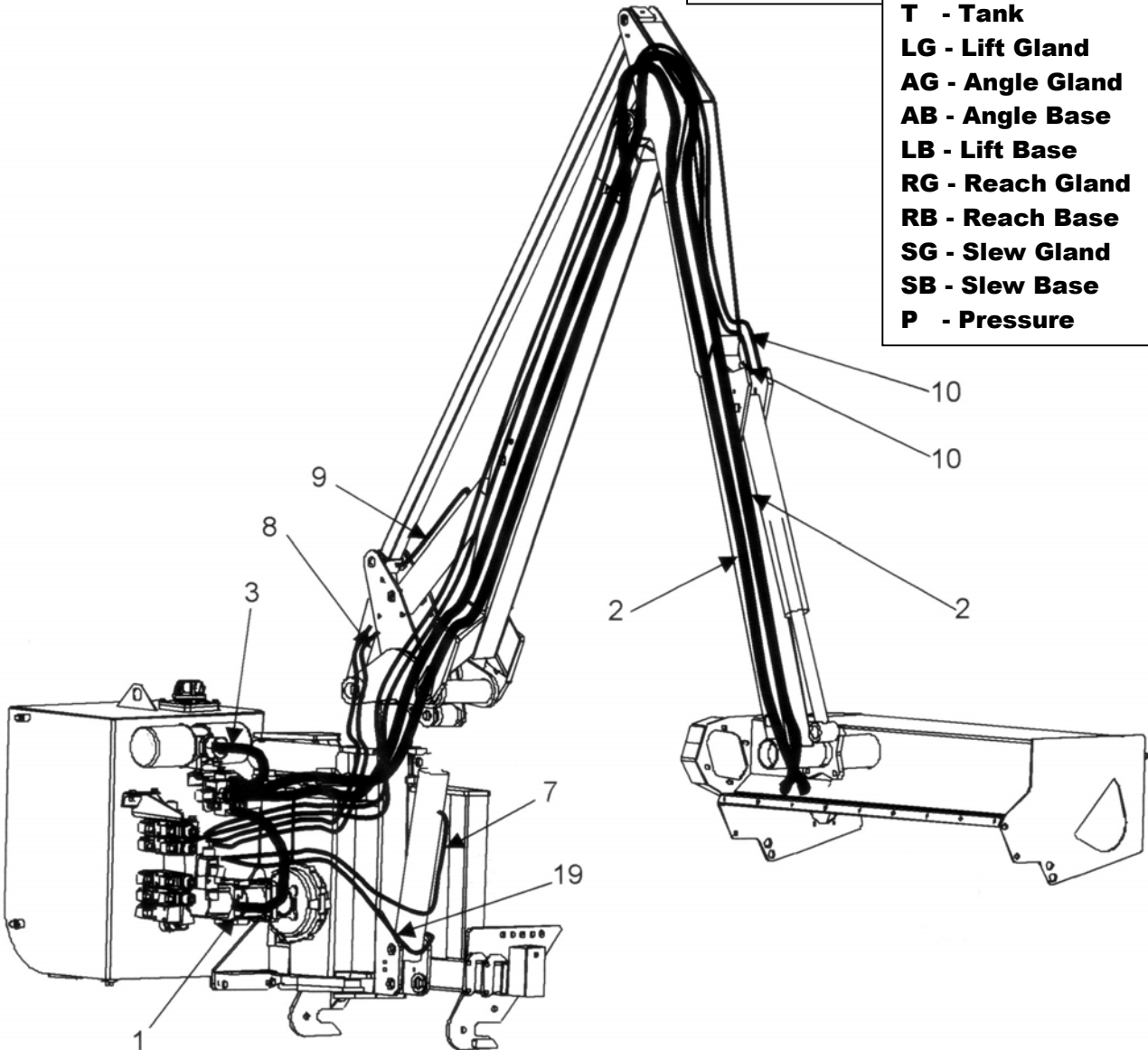


REF.	QTY.	PART No.	DESCRIPTION
		<b>7560356</b>	<b>COMPENSATOR RAM ASSEMBLY - AHC Models</b>
1	1	7195010	PISTON ROD
2	1	7560095	PISTON
3	1	7135291	GLAND HOUSING
4	1	8629148	GLAND SEAL
5	1	0416240	INTERNAL CIRCLIP
6	1	8629149	SCRAPER RING
7	1	8600302	O RING
8	1	8609302	AE RING
9	1	8629187	PISTON SEAL
10	1	9363023	GRUB SCREW
11	1	8629188	GUIDE RING
12	1	7105050	ROD END BUSH
13	2	0901121	GREASE NIPPLE
14	1	7195305	BARREL
15	2	8581169	ADAPTOR
16	2	8650102	BONDED SEAL
		<b>8699188</b>	<b>SEAL KIT</b>

*This page is intentionally blank*



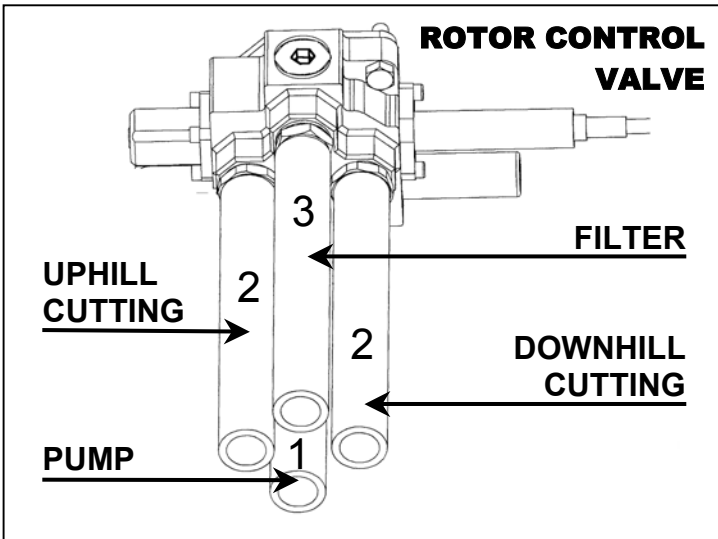
- T - Tank
- LG - Lift Gland
- AG - Angle Gland
- AB - Angle Base
- LB - Lift Base
- RG - Reach Gland
- RB - Reach Base
- SG - Slew Gland
- SB - Slew Base
- P - Pressure



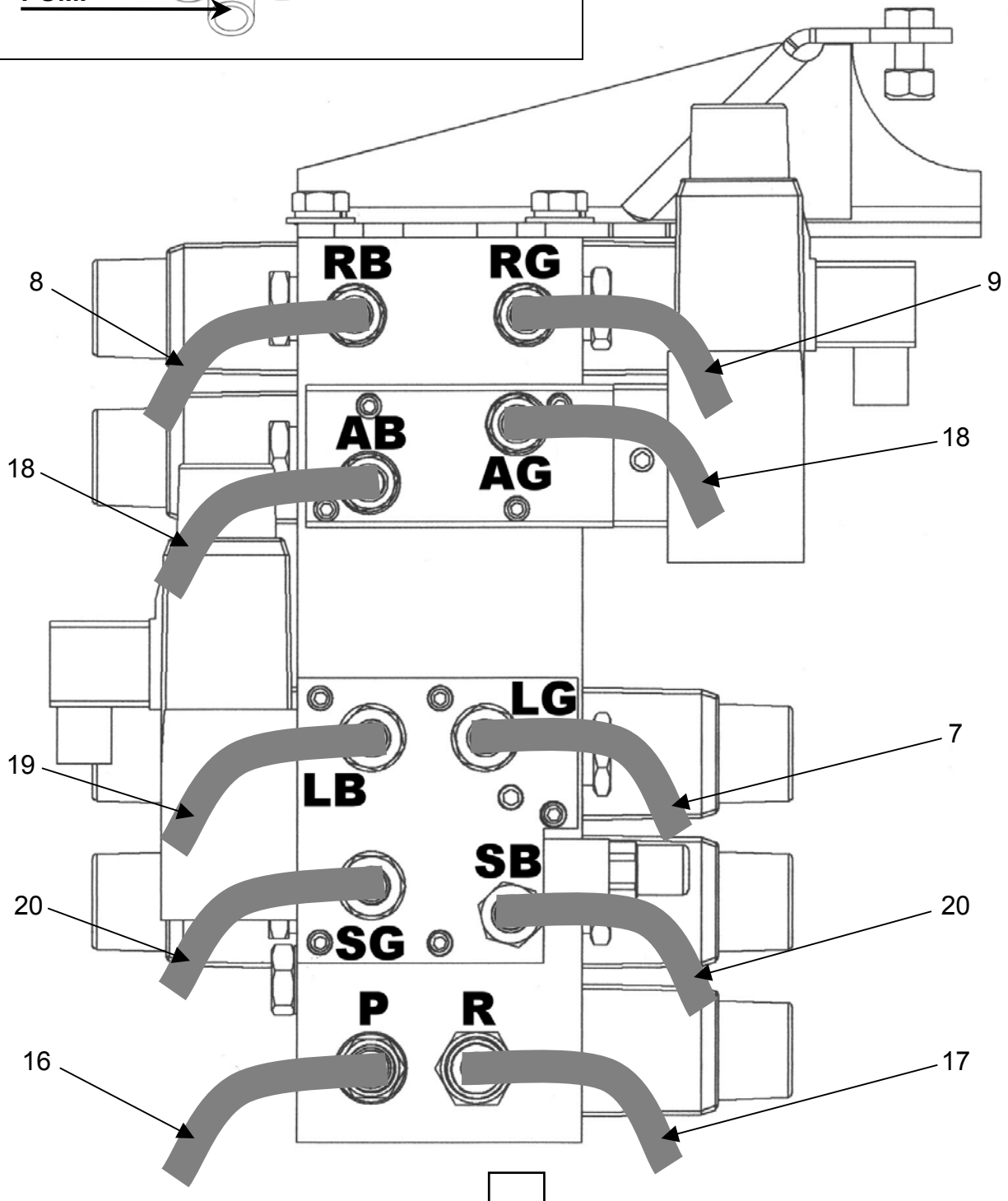
**PLEASE NOTE:** *The aim of this diagram is to give a general indication of hose positions on the machine. It is advisable to note the exact position of any hose prior to attaching a replacement.*

**HOSE INSTALLATION (Cable)**

REF.	QTY	PART NO.	DESCRIPTION	
		● 74487221	<b>CABLE MACHINES - STANDARD</b>	
		● 74487222	<b>CABLE MACHINES - MIDCUT</b>	
1	1 1	10.011.12	HOSE - 1" BSP FS/FS x 600mm	<i>Pump to R/C up</i>
2	2 -	8501285	HOSE - 1" BSP F90/F135 x 5300mm	<i>Flail Pipes</i>
3	1 1	10.012.18	HOSE - 1" BSP FS/F90 x 900mm	<i>Return - R/C up</i>
4	1 1	10.004.10	HOSE - 3/8" BSP FS/F90 x 500mm	<i>Pressure - Arms</i>
5	1 1	10.006.06	HOSE - 1/2" BSP FS/F90 x 300mm	<i>Return - Arms</i>
6	2 2	10.002.16	HOSE - 1/4" BSP FS/F90 x 800mm	<i>Slew</i>
7	1 1	10.002.23	HOSE - 1/4" BSP FS/F90 x 1300mm	<i>Lift</i>
8	1 1	10.001.29	HOSE - 1/4" BSP FS/FS x 1900mm	<i>Reach Base</i>
9	1 1	10.002.34	HOSE - 1/4" BSP FS/F90 x 2400mm	<i>Reach Gland</i>
10	2 -	10.001.56	HOSE - 1/4" BSP FS/FS x 4600mm	<i>Angle</i>
11	- 2	8501289	HOSE - 1" BSP F90/F135 x 5500mm	<i>Flail - Midcut</i>
12	- 2	10.001.57	HOSE - 1/4" BSP FS/FS x 4700mm	<i>Angle - Midcut</i>
13	- -	10.002.25	HOSE - 1/4" BSP FS/F90 x 1500mm	<i>Reach Base - AHC</i>
14	- -	10.002.27	HOSE - 1/4" BSP FS/F90 x 1700mm	<i>Reach Gland - AHC</i>
15	- -	10.002.30	HOSE - 1/4" BSP FS/F90 x 2000mm	<i>Lift - AHC</i>
16	- -	10.004.12	HOSE - 3/8" BSP FS/F90 x 600mm	<i>Pressure Arms</i>
17	- -	10.006.12	HOSE - 1/2" BSP FS/F90 x 600mm	<i>Return Arms</i>
18	- -	10.001.53	HOSE - 1/4" BSP FS/FS x 4300mm	<i>Angle</i>
19	1 1	10.001.23	HOSE - 1/4" BSP FS/FS x 1300mm	<i>Lift</i>
20	- -	10.002.14	HOSE - 1/4" BSP FS/F90 x 700mm	<i>Slew</i>

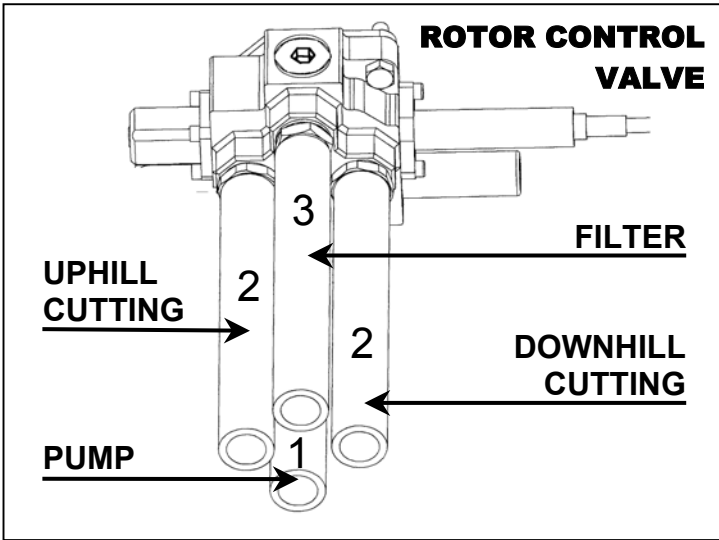


- LG** - Lift Gland
- AG** - Angle Gland
- AB** - Angle Base
- LB** - Lift Base
- RG** - Reach Gland
- RB** - Reach Base
- SG** - Slew Gland
- SB** - Slew Base
- P** - Pressure
- R** - Return

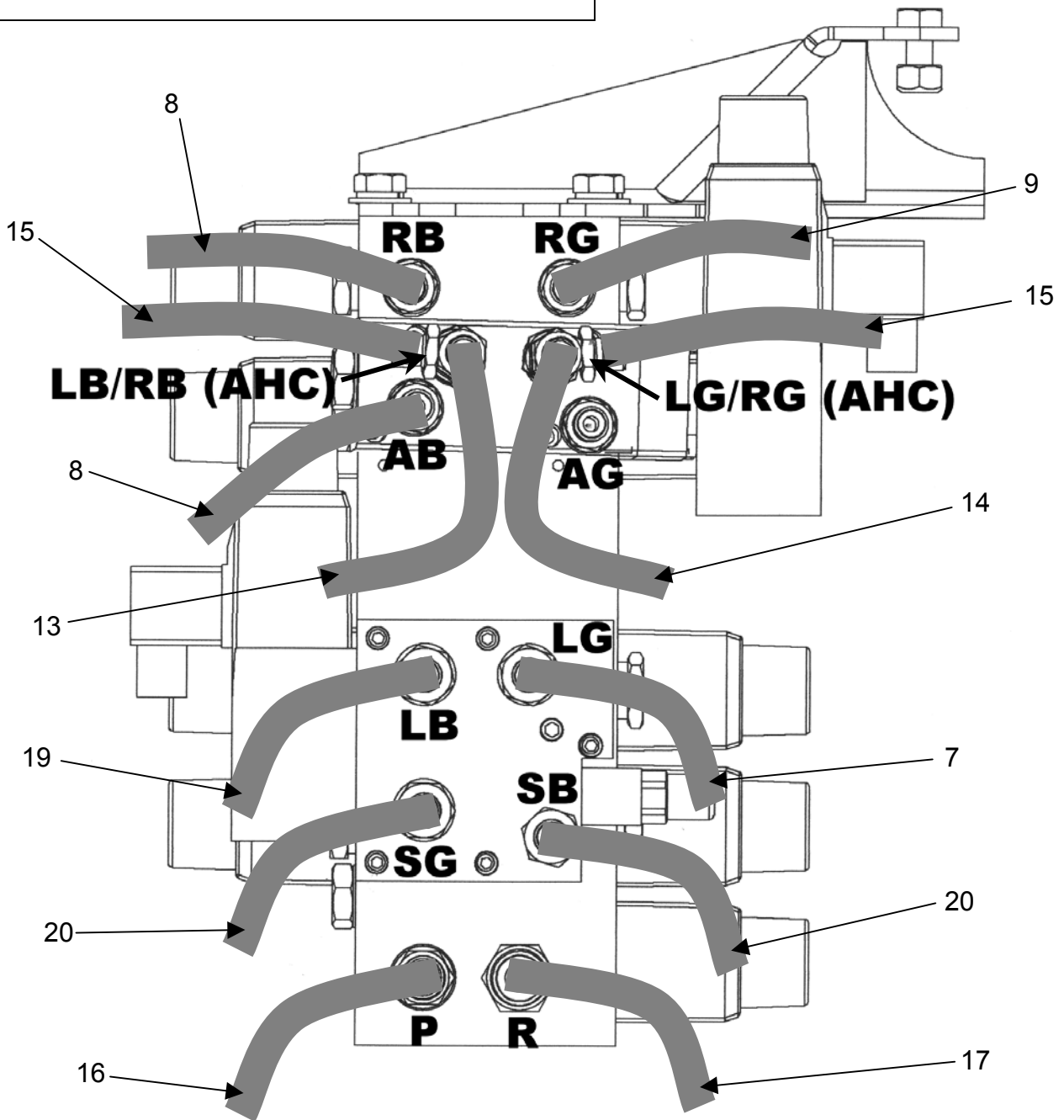


**HOSE INSTALLATION (Electric)**

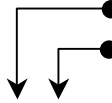
REF.	QTY	PART NO.	DESCRIPTION
		● 74487223	<b>ELECTRIC MACHINES - STANDARD</b>
		● 74487224	<b>ELECTRIC MACHINES - MIDCUT</b>
		● 74487227	<b>PROPORTIONAL ELECTRIC MACHINES</b>
		↓ ↓ ↓	
1	1 1 -	10.011.12	HOSE - 1" BSP FS/FS x 600mm <i>Pump to R/C up</i>
	- - 1	10.012.16	HOSE - 1" BSP FS/F90 x 800mm <i>Pump to R/C up</i>
2	2 - -	8501285	HOSE - 1" BSP F90/F135 x 5300mm <i>Flail Pipes</i>
	- - 2	8501359	HOSE - 1" BSP F90/F135 x 5150mm <i>Flail Pipes</i>
3	1 1 -	10.012.18	HOSE - 1" BSP FS/F90 x 900mm <i>Return - R/C up</i>
4	- - -	10.004.10	HOSE - 3/8" BSP FS/F90 x 500mm <i>Pressure - Arms</i>
5	- - -	10.006.06	HOSE - 1/2" BSP FS/F90 x 300mm <i>Return - Arms</i>
6	- - 2	10.031.16	HOSE - 1/4" BSP FS/F90 x 800mm <i>Slew</i>
7	1 1 1	10.002.23	HOSE - 1/4" BSP FS/F90 x 1300mm <i>Lift</i>
8	1 1 1	10.001.29	HOSE - 1/4" BSP FS/FS x 1900mm <i>Reach Base</i>
9	1 1 1	10.002.34	HOSE - 1/4" BSP FS/F90 x 2400mm <i>Reach Gland</i>
10	- - -	10.001.56	HOSE - 1/4" BSP FS/FS x 4600mm <i>Angle</i>
11	- 2 -	8501289	HOSE - 1" BSP F90/F135 x 5500mm <i>Flail - Midcut</i>
12	- 2 -	10.001.57	HOSE - 1/4" BSP FS/FS x 4700mm <i>Angle - Midcut</i>
13	- - -	10.002.25	HOSE - 1/4" BSP FS/F90 x 1500mm <i>Reach Base - AHC</i>
14	- - -	10.002.27	HOSE - 1/4" BSP FS/F90 x 1700mm <i>Reach Gland - AHC</i>
15	- - -	10.002.30	HOSE - 1/4" BSP FS/F90 x 2000mm <i>Lift - AHC</i>
16	1 1 1	10.004.12	HOSE - 3/8" BSP FS/F90 x 600mm <i>Pressure Arms</i>
17	1 1 -	10.006.12	HOSE - 1/2" BSP FS/F90 x 600mm <i>Return Arms</i>
18	2 - -	10.001.53	HOSE - 1/4" BSP FS/FS x 4300mm <i>Angle</i>
	- - 2	10.001.52	HOSE - 1/4" BSP FS/FS x 4200mm <i>Angle</i>
19	1 1 1	10.001.23	HOSE - 1/4" BSP FS/FS x 1300mm <i>Lift</i>
20	2 2 -	10.002.14	HOSE - 1/4" BSP FS/F90 x 700mm <i>Slew</i>
21	- - 1	10.012.19	HOSE - 1" BSP FS/F90 x 950mm <i>Cooler to Tank</i>
22	- - 1	10.012.22	HOSE - 1" BSP FS/F90 x 1200mm <i>Valve to Cooler</i>



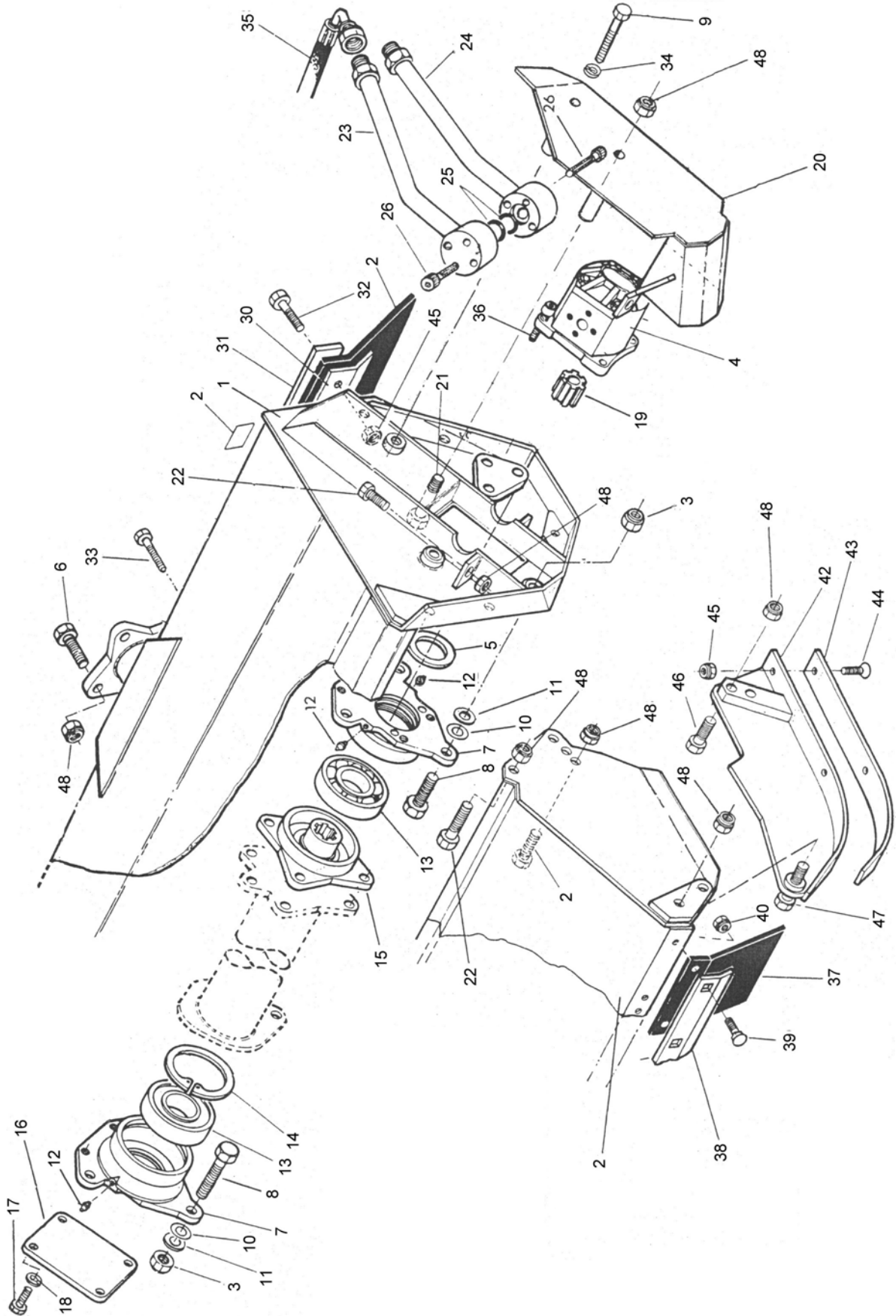
- LG** - Lift Gland
- AG** - Angle Gland
- AB** - Angle Base
- LB** - Lift Base
- RG** - Reach Gland
- RB** - Reach Base
- SG** - Slew Gland
- SB** - Slew Base
- P** - Pressure
- R** - Return



**HOSE INSTALLATION (Elec. AHC)**

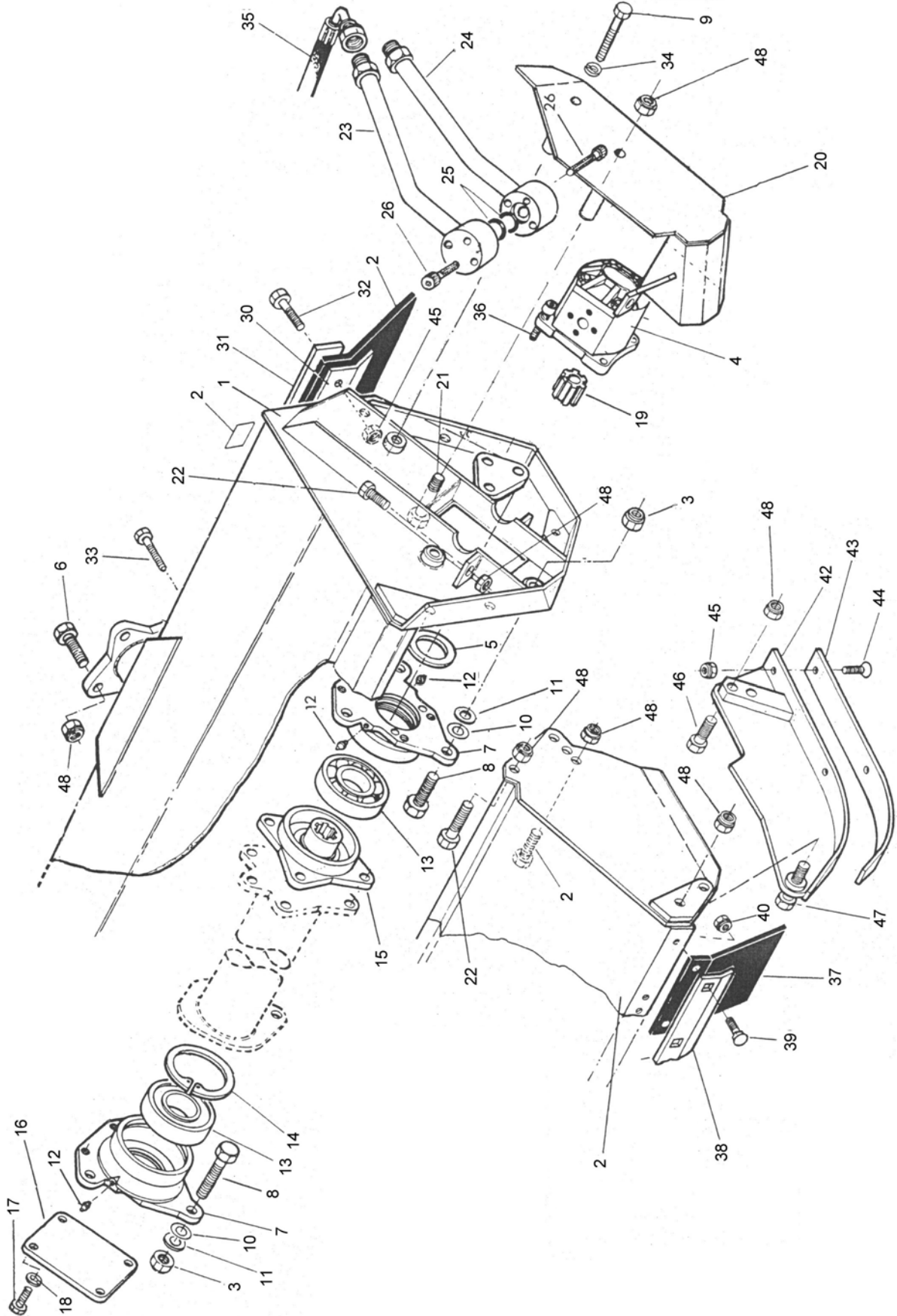
REF.	QTY	PART NO.	DESCRIPTION	
		● 74487225	<b>ELECTRIC MACHINES - AHC</b>	
		● 74487226	<b>ELECTRIC MACHINES - AHC MIDCUT</b>	
				
1	1	10.011.12	HOSE - 1" BSP FS/FS x 600mm	<b>Pump to R/C up</b>
2	2	8501285	HOSE - 1" BSP F90/F135 x 5300mm	<b>Flail Pipes</b>
3	1	10.012.18	HOSE - 1" BSP FS/F90 x 900mm	<b>Return - R/C up</b>
4	-	10.004.10	HOSE - 3/8" BSP FS/F90 x 500mm	<b>Pressure - Arms</b>
5	-	10.006.06	HOSE - 1/2" BSP FS/F90 x 300mm	<b>Return - Arms</b>
6	-	10.002.16	HOSE - 1/4" BSP FS/F90 x 800mm	<b>Slew</b>
7	1	10.002.23	HOSE - 1/4" BSP FS/F90 x 1300mm	<b>Lift</b>
8	1	10.001.29	HOSE - 1/4" BSP FS/FS x 1900mm	<b>Reach Base</b>
9	1	10.002.34	HOSE - 1/4" BSP FS/F90 x 2400mm	<b>Reach Gland</b>
10	-	10.001.56	HOSE - 1/4" BSP FS/FS x 4600mm	<b>Angle</b>
11	-	8501289	HOSE - 1" BSP F90/F135 x 5500mm	<b>Flail - Midcut</b>
12	-	10.001.57	HOSE - 1/4" BSP FS/FS x 4700mm	<b>Angle - Midcut</b>
13	1	10.002.25	HOSE - 1/4" BSP FS/F90 x 1500mm	<b>Reach Base - AHC</b>
14	1	10.002.27	HOSE - 1/4" BSP FS/F90 x 1700mm	<b>Reach Gland - AHC</b>
15	2	10.002.30	HOSE - 1/4" BSP FS/F90 x 2000mm	<b>Lift - AHC</b>
16	1	10.004.12	HOSE - 3/8" BSP FS/F90 x 600mm	<b>Pressure Arms</b>
17	1	10.006.12	HOSE - 1/2" BSP FS/F90 x 600mm	<b>Return Arms</b>
18	2	10.001.53	HOSE - 1/4" BSP FS/FS x 4300mm	<b>Angle</b>
	-	10.001.52	HOSE - 1/4" BSP FS/FS x 4200mm	<b>Angle</b>
19	1	10.001.23	HOSE - 1/4" BSP FS/FS x 1300mm	<b>Lift</b>
20	2	10.002.14	HOSE - 1/4" BSP FS/F90 x 700mm	<b>Slew</b>





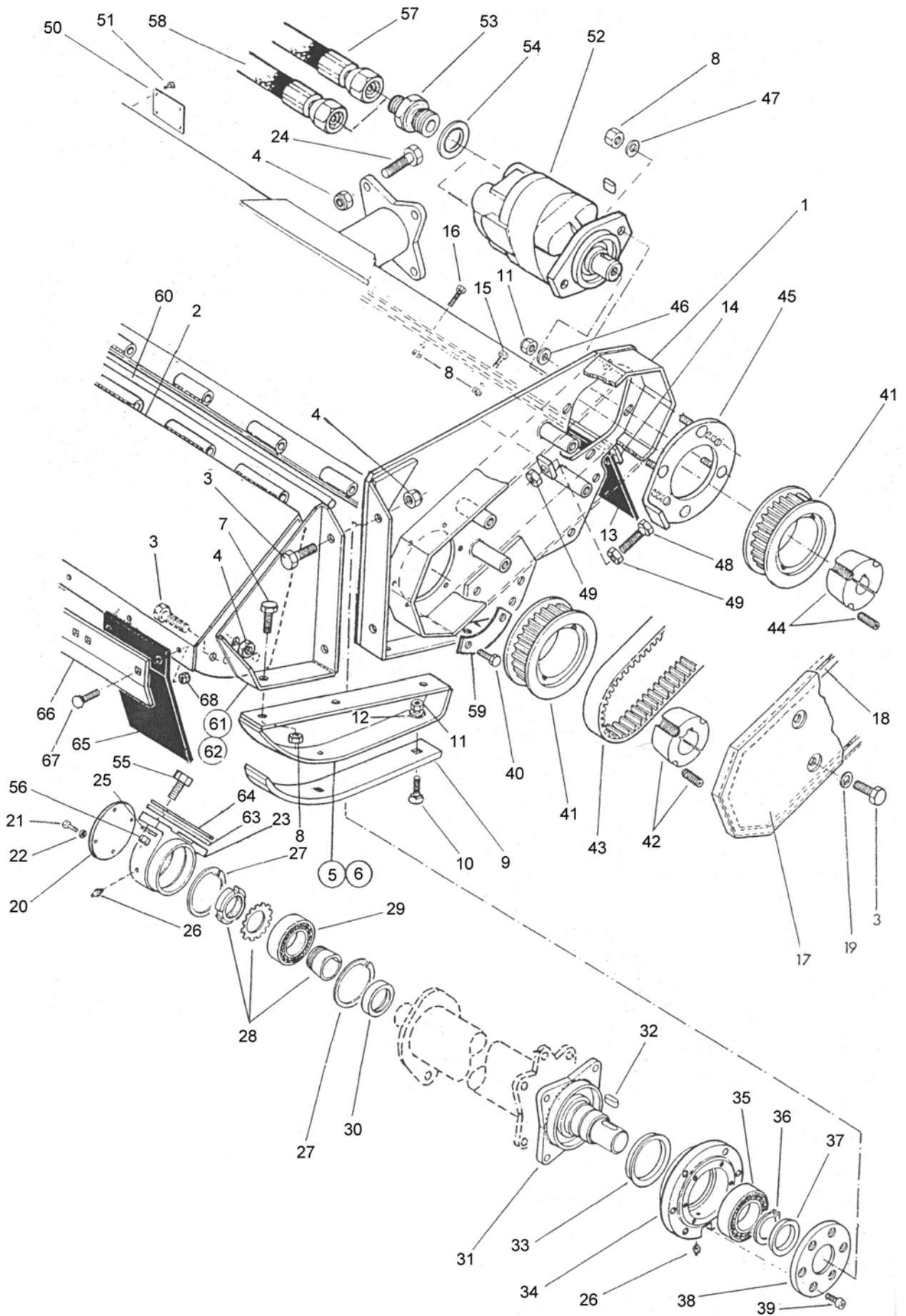
**FLAILHEAD – 1.2m Direct Drive**

REF.	QTY.	PART NO.	DESCRIPTION
<b>FLAIL HEAD CASING - 1.2M DIRECT DRIVE</b>			
1	1	7190262	FLAIL CASING
2	1	1335246	SERIAL No. PLATE
3	6	9100024	SPECIAL NUT M16 FINE
4	1	8301282	HYDRAULIC MOTOR
5	1	7190015	MOTOR LOCATING WASHER
6	4	0211186	BOLT 5/8" UNF x 2 1/4" LONG
7	2	7190261	BEARING HOUSING
8	6	9200023	SPECIAL BOLT M16 FINE x 55
9	1	0211326	BOLT 5/8" UNF x 4" LONG
10	<i>as req'd</i>	8121043	SHIM .015"
11	<i>as req'd</i>	8121044	SHIM .025"
12	4	0901121	GREASER 1/8" BSP - STRAIGHT
13	2	0600018	BEARING
14	1	7190022	INTERNAL CIRCLIP DIA. 120
15	2	7190571	ROTOR HUB
16	1	7190444	COVER PLATE
17	4	9313045	SETSCREW M10 x 20
18	4	9100205	SPRING WASHER DIA. 10
19	1	7190573	DRIVE COUPLING
20	1	42282.01	MOTOR COVER
21	1	0211566	BOLT 5/8" UNF x 7" LONG
22	2	0311126	SETSCREW 5/8" UNF x 1 1/2" LONG
23	1	7190378	MOTOR PIPE - UPPER
24	1	7190379	MOTOR PIPE - LOWER
25	2	8600121	'O' RING
26	6	9300014	CAPSCREW 'WEDGLOCK' M10 x 60
27	1	7190288	FRONT HOOD
28	2	0311106	SETSCREW 5/8" UNF x 1 1/4" LONG
29	1	7190314	REAR FLAP
30	1	7190312	MOUNTING STRIP
31	1	7190313	CLAMP STRIP
32	7	9313065	SETSCREW M10 x 50
33	2	9313075	SETSCREW M10 x 35
34	1	0100206	SPRING WASHER DIA. 5/8"
35	2	8501154	HOSE 1" BSP x 42" LONG
36	4	9300144	CAPSCREW 'WEDGLOCK' M10 x 45
		<b>8699236</b>	<b>SEAL KIT FOR HYDRAULIC MOTOR</b>
		<b>8629209</b>	<b>SHAFT SEAL</b>





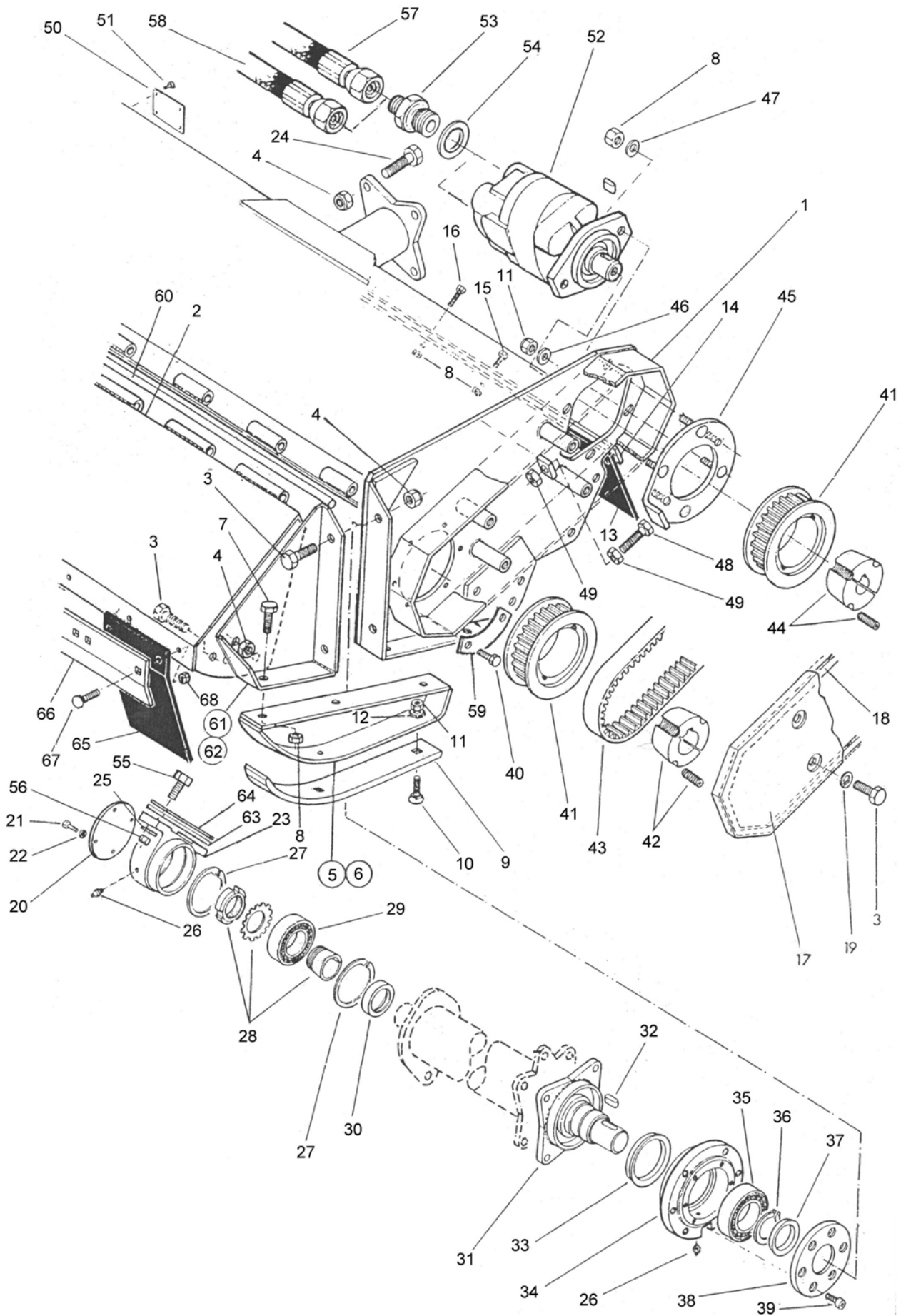
REF.	QTY.	PART NO.	DESCRIPTION
			<b>FLAIL HEAD CASING - 1.2M DIRECT DRIVE</b>
			<b>7290375 FRONT FLAP KIT - <i>comprising of:</i></b>
37	8	7290053	FLAP
38	1	7190304	FLAP CLAMP STRIP
39	16	9293054	CUP SQUARE BOLT
40	16	9143004	SELF LOCKING NUT
			<b>7190421 SKID KIT - <i>comprising of:</i></b>
41	1	7190300	SKID (RIGHT HAND) - <i>not illustrated</i>
42	1	7190301	SKID (LEFT HAND)
43	1	7314323	WEAR SKID
44	6	9313065	SETSCREW - COUNTERSUNK M10 x 30
45	15	9143005	SELF LOCKING NUT M10
46	2	0311146	SETSCREW 5/8" UNF x 1 3/4" LONG
47	2	0311086	SETSCREW 5/8" UNF x 2 1/4" LONG
48	15	0141006	SELF LOCKING NUT 5/8" UNF



**FLAILHEAD – 1.2m Belt Drive**

REF.	QTY.	PART NO.	DESCRIPTION
<b>FLAIL HEAD CASING - 1.2M BELT DRIVE</b>			
1	1	7290333	HOOD
2	1	7290386	FRONT HOOD
3	10	0311106	SETSCREW 5/8" UNF x 1 1/4" LONG
4	10	0141006	SELF LOCKING NUT 5/8" UNF
5	1	7290389	SKID ( RIGHT HAND)
6	1	7290390	SKID ( LEFT HAND)
7	6	9313055	SETSCREW M10 x 25
8	23	9143005	SELF LOCKING NUT M10
9	2	7290391	WEAR SKID
10	6	6012034	TINE BOLT 7/16" UNC
11	10	0142004	SELF LOCKING NUT 7/16" UNC
12	6	0100104	PLAIN WASHER 7/16" DIA.
13	1	7290348	REAR FLAP
14	1	7290347	CLAMP STRIP
15	6	9313065	SETSCREW M10 x 30
16	3	9313075	SETSCREW M10 x 35
17	1	7290343	BELT COVER
18	1	7290052	SEAL STRIP
19	4	0100206	SPRING WASHER 5/8" DIA.
20	1	7290042	BEARING COVER - FREE END
21	4	9313033	SETSCREW M6 x 16
22	4	9100203	SPRING WASHER DIA. 6
23	1	7290322	BEARING HOUSING
24	4	0211186	BOLT 5/8" UNF x 2 1/4" LONG
25	2	1065077	SPECIAL WASHER 5/8" DIA.
26	2	0901121	GREASER 1/8" BSP - STRAIGHT
27	2	7290056	INTERNAL CIRCLIP DIA. 110
28	1	0600097	ADAPTOR SLEEVE ASSEMBLY
29	1	0600096	BEARING - FREE END
30	1	7290013	BEARING ADAPTOR
31	1	7290323	DRIVE HUB
32	1	7290017	KEY
33	1	7290048	SEAL
34	1	7290321	BEARING HOUSING - DRIVE END
35	1	0600095	BEARING - DRIVE END
36	1	0401255	EXTERNAL CIRCLIP DIA. 55
37	1	7290049	SEAL
38	1	7290023	BEARING RETAINER
39	6	9343034	CAPSCREW M8 x 16
40	6	9313045	SETSCREW M10 x 20

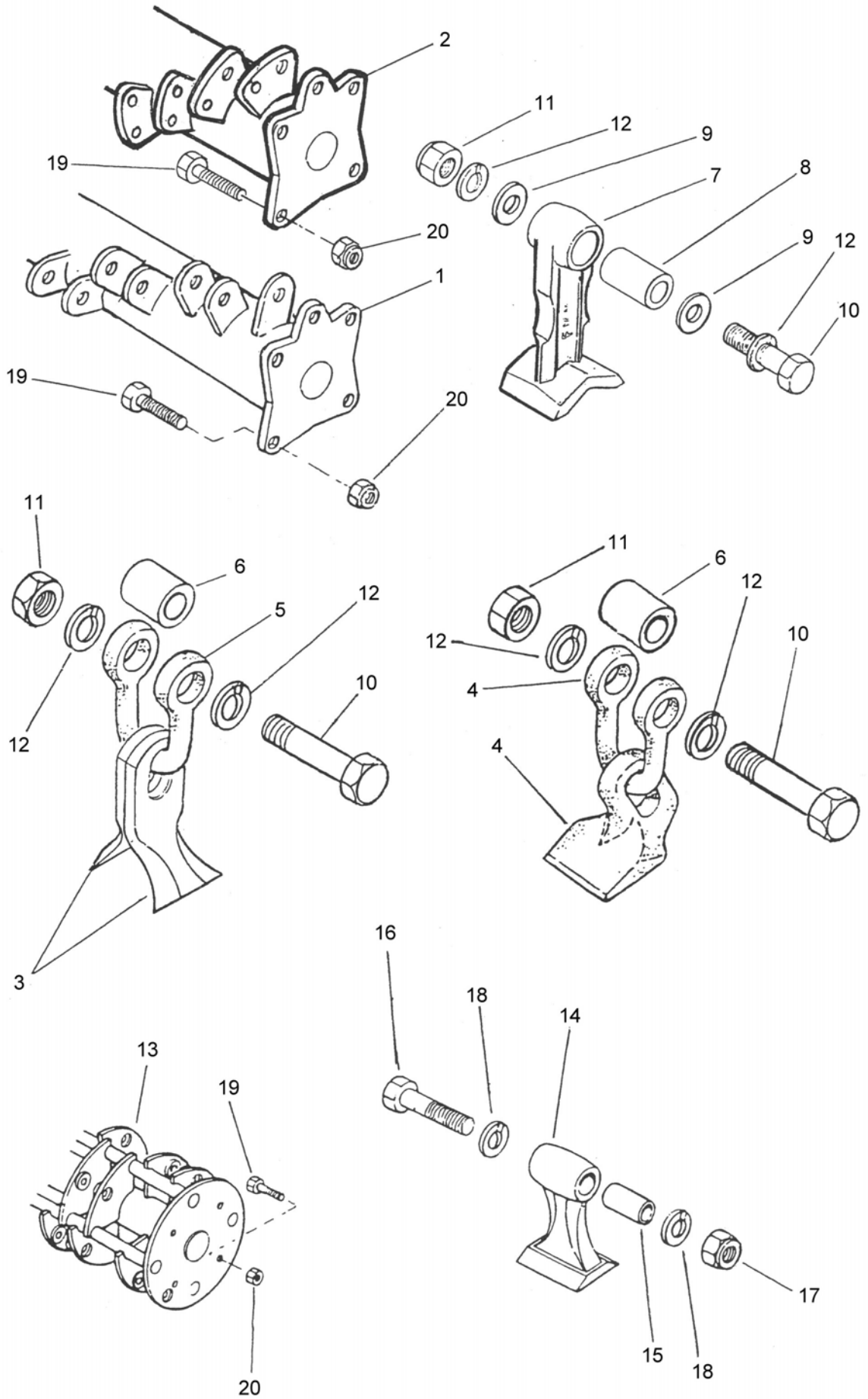
*continued...*



**FLAILHEAD – 1.2m Belt Drive**

REF.	QTY.	PART NO.	DESCRIPTION
			<b>FLAIL HEAD CASING - 1.2M BELT DRIVE</b>
			<i>...continued</i>
41	2	7290047	DRIVE SPROCKET
42	1	7290016	TAPER LOCK DRIVE BUSH DIA. 40
43	1	7290046	BELT
44	1	05.424.07	TAPER LOCK DRIVE BUSH DIA. 7/8"
45	1	7290426	MOTOR MOUNTING PLATE
46	4	7290051	SPECIAL WASHER
47	2	9100105	PLAIN WASHER DIA. 10
48	1	9313117	BELT ADJUSTER SCREW M16 x 55
49	2	9113007	NUT M16
50	1	1335246	SERIAL No. PLATE
51	4	7103230	POP RIVET 1/8" DIA.
52	1	43010.03	HYDRAULIC MOTOR
53	2	8002086	ADAPTOR 3/4" BSP - 1" BSP MM
54	2	8650106	BONDED SEAL 3/4" BSP
55	2	9200023	SPECIAL BOLT M16 FINE x 55
56	2	9100024	SPECIAL NUT M16 FINE
57	1	8501227	HOSE 1" BSP x 21" LONG SF-135F
58	1	8501228	HOSE 1" BSP x 22 1/2" LONG SF-135F
59	3	7290073	TAB WASHER DIA. 10
60	1	7290061	PIVOT ROD
61	1	7290388	HOOD CARRIER BRACKET (LEFT HAND)
62	1	7290387	HOOD CARRIER BRACKET (RIGHT HAND)...
			<i>...not illustrated</i>
63	<i>as req'd</i>	7290425	SHIM 3.0mm
64	<i>as req'd</i>	7290424	SHIM 2.0mm
			<b>7290375 FRONT FLAP KIT</b>
65	8	7290053	FRONT FLAP
66	1	7190304	CLAMP STRIP
67	16	9293054	DOME HEADED COACH BOLT M8 x 25
68	16	9143005	SELF LOCKING NUT M8
			<b>43010.01 SEAL KIT</b>
			<b>8629223 SHAFT SEAL</b>





**ROTORS & FLAILS**

REF.	QTY.	PART NO.	DESCRIPTION
1	1	7390270	ROTOR - 24 FLAIL POSITIONS
2	1	42636.01	ROTOR - 36 FLAIL POSITIONS

*The following flails are suitable for use with Rotors 7390270 and 42636.01*

**Note: Quantities are per flail position**

3	2	41654.01	FLAIL
4	1	7190462	FLAIL
5	1	7390013	SHACKLE
6	1	7390018	SPACER SLEEVE
7	1	7314366	FLAIL
8	1	7314223	PIVOT BOSS
9	2	7390005	SPACER SLEEVE
10	1	7390006	SPECIAL BOLT
11	1	0141006	SELF LOCKING NUT
12	2	0100206	SPRING WASHER

<b>13</b>	<b>1</b>	<b>7190465</b>	<b>ROTOR - OMEGA</b>
-----------	----------	----------------	----------------------

*The following are used with Rotor 7190465*

14	20	8190464	FLAIL
15	20	7190117	BUSH
16	20	7390006	SPECIAL BOLT
17	20	0141006	SELF LOCKING NUT
18	20	0100206	SPRING WASHER

*The following are used with all rotors*

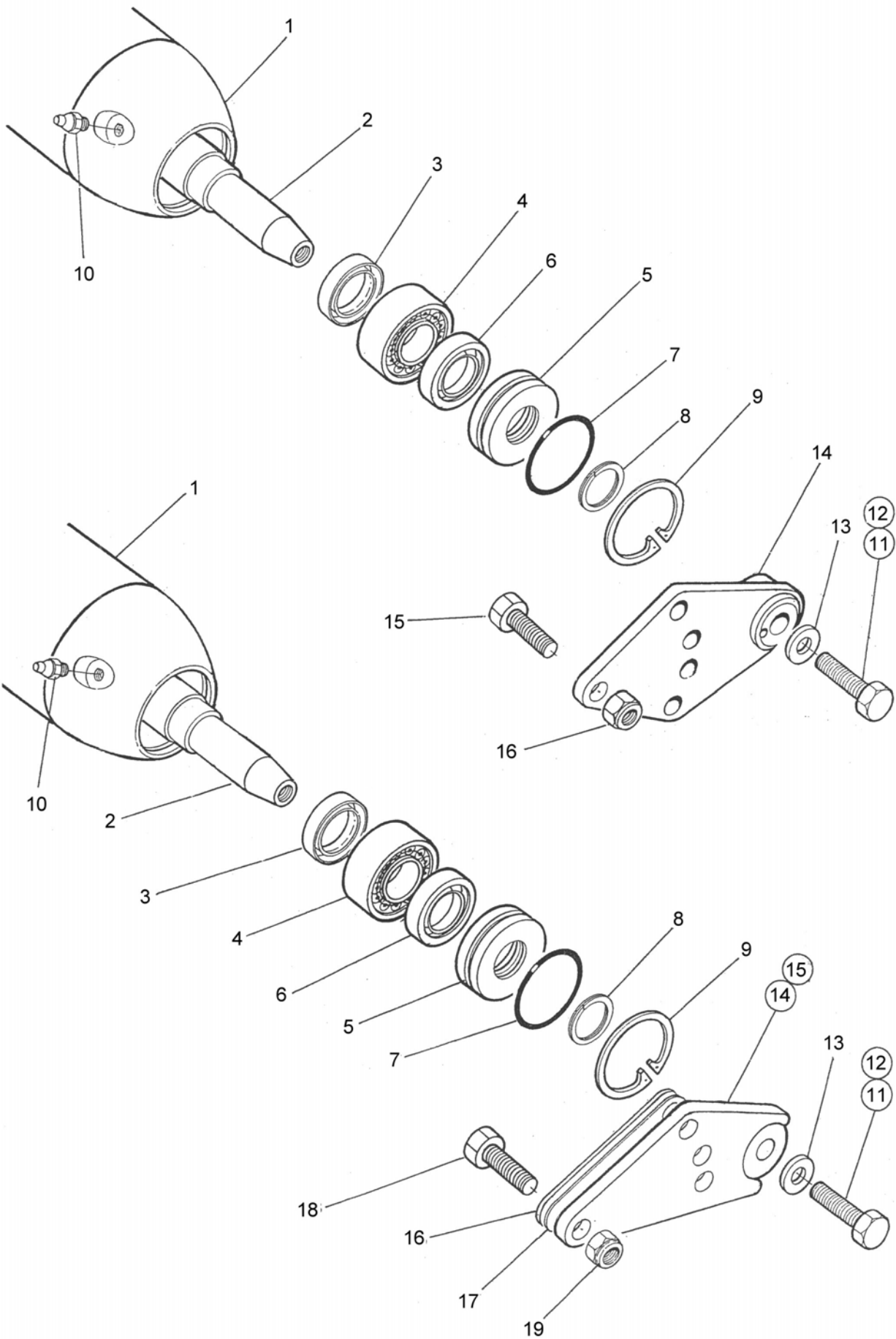
19	2	9200025	SPECIAL BOLT
20	2	9100024	SPECIAL NUT

**ROTOR ASSEMBLIES - DIRECT DRIVE**

7190501	ROTOR ASSEMBLY 24 POSITION - HEDGE
7190502	ROTOR ASSEMBLY 24 POSITION - GRASS
7190503	ROTOR ASSEMBLY 24 POSITION - UNIVERSAL
7190581	ROTOR ASSEMBLY 36 POSITION - HEDGE
7190582	ROTOR ASSEMBLY 36 POSITION - GRASS
7190583	ROTOR ASSEMBLY 36 POSITION - UNIVERSAL
7190471	ROTOR ASSEMBLY - OMEGA

**ROTOR ASSEMBLIES - BELT DRIVE**

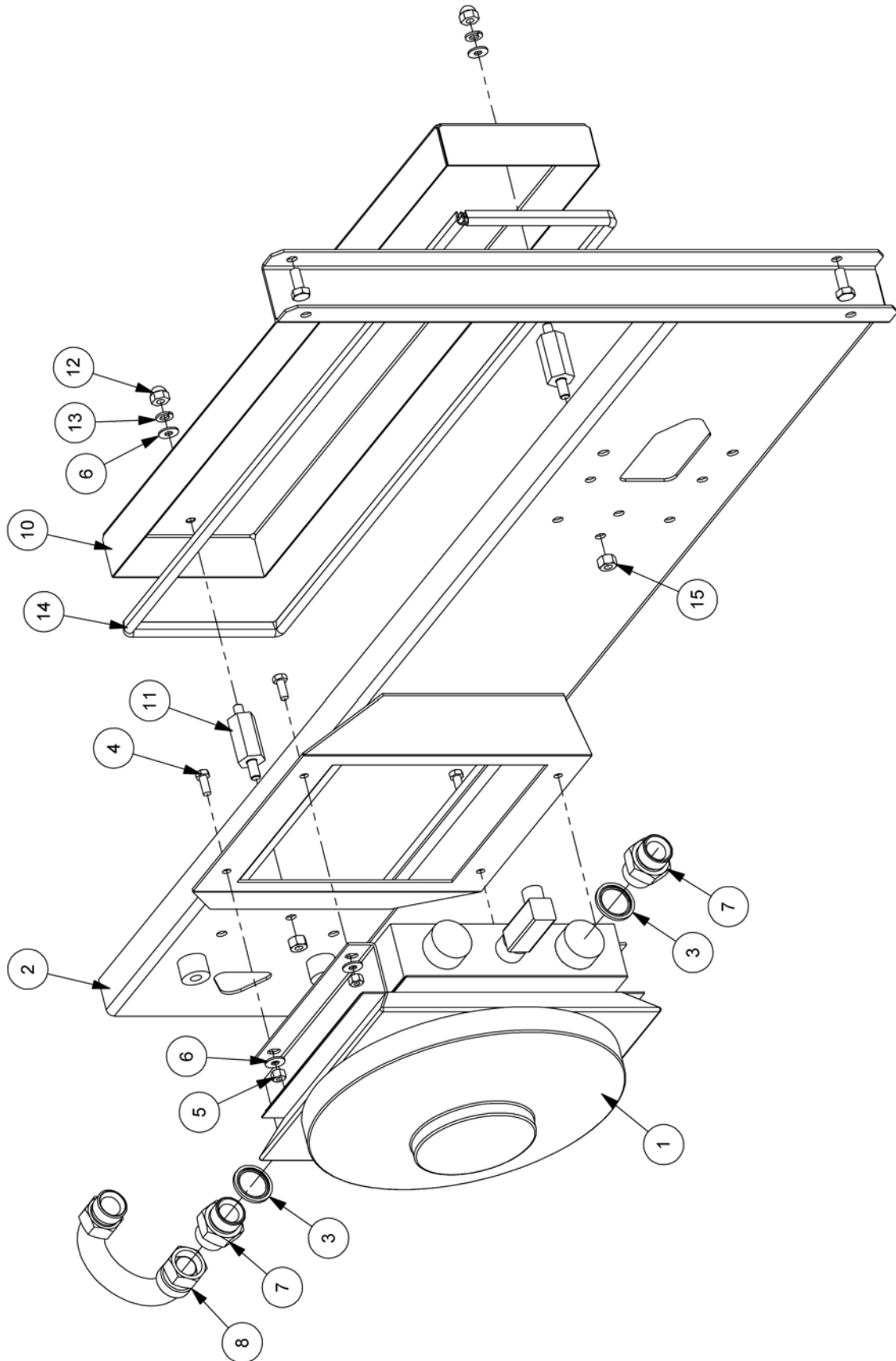
7390271	ROTOR ASSEMBLY 24 POSITION - HEDGE
7390272	ROTOR ASSEMBLY 24 POSITION - GRASS
7390273	ROTOR ASSEMBLY 24 POSITION - UNIVERSAL
7390319	ROTOR ASSEMBLY 36 POSITION - HEDGE
7390320	ROTOR ASSEMBLY 36 POSITION - GRASS
7390321	ROTOR ASSEMBLY 36 POSITION - UNIVERSAL
7190498	ROTOR ASSEMBLY - OMEGA



**ROLLER ASSEMBLIES**

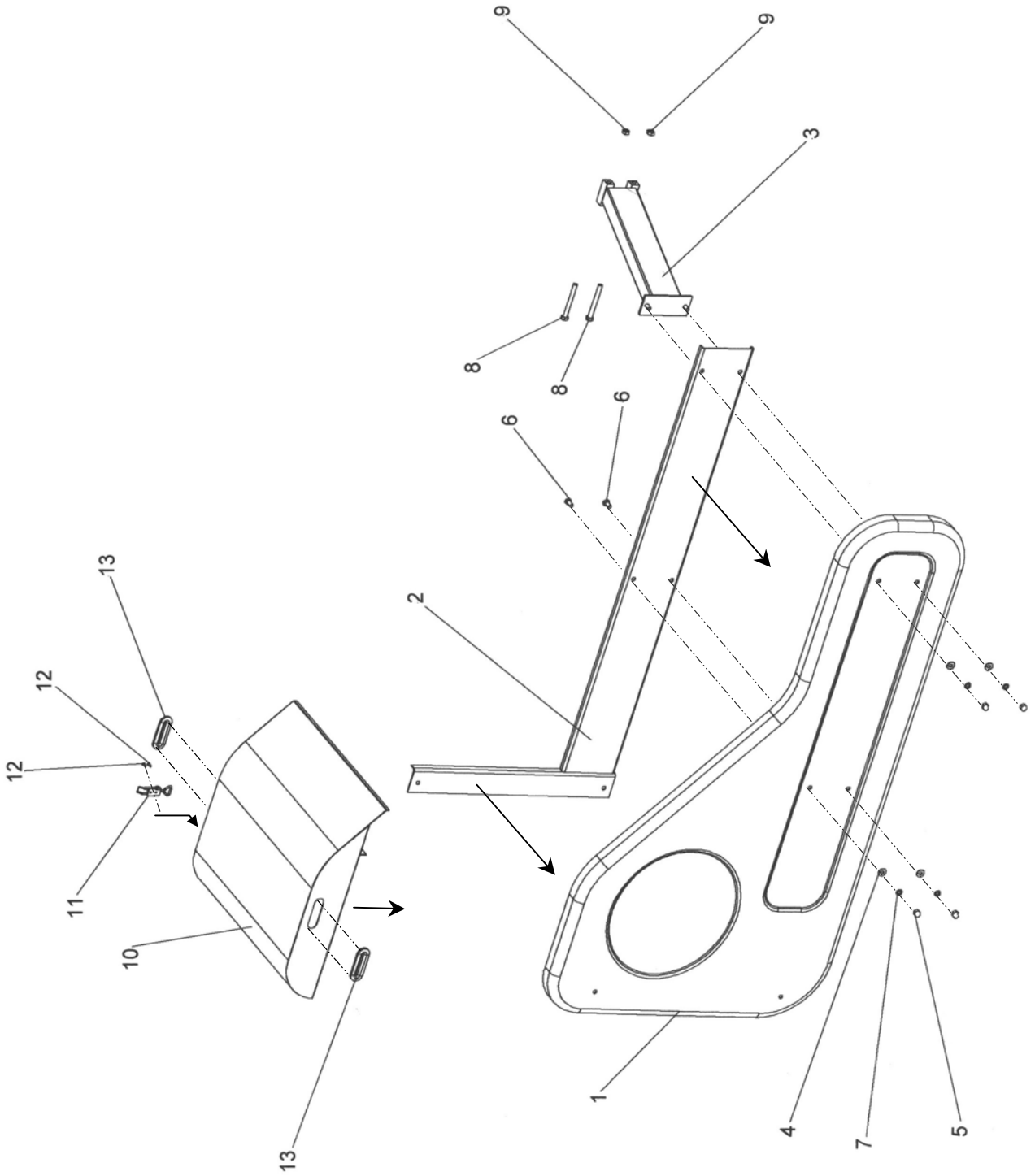
REF.	QTY.	PART NO.	DESCRIPTION
		<b>42241.25</b>	<b>DIRECT DRIVE HEADS</b>
1	1	42241.10	ROLLER
2	1	42242.04	ROLLER AXLE
3	2	8629181	SEAL
4	2	0600099	BEARING
5	2	7390011	SEAL CARRIER
6	2	8629125	SEAL
7	2	8600422	'O' RING
8	2	0412120	SPRING RING
9	2	0411262	CIRCLIP - INTERNAL
10	2	0901121	GREASER 1/8" BSP - STRAIGHT
11	1	9300150	SPECIAL SETSCREW M12 x 30 - LEFT HAND
12	1	9300149	SPECIAL SETSCREW M12 x 30 - RIGHT HAND
13	2	42503.02	SPECIAL WASHER
14	2	42246.03	ROLLER BRACKET
15	4	0211186	BOLT M8 UNF x 2 1/4"
16	4	0141006	SELF LOCKING NUT 5/8" UNF
		<b>42241.24</b>	<b>BELT DRIVE HEADS</b>
1	1	42241.10	ROLLER
2	1	42242.04	ROLLER AXLE
3	2	8629181	SEAL
4	2	0600099	BEARING
5	2	7390011	SEAL CARRIER
6	2	8629125	SEAL
7	2	8600422	'O' RING
8	2	0412120	SPRING RING
9	2	0411262	CIRCLIP - INTERNAL
10	2	0901121	GREASER 1/8" BSP - STRAIGHT
11	1	9300150	SPECIAL SETSCREW M12 x 30 - LEFT HAND
12	1	9300149	SPECIAL SETSCREW M12 x 30 - RIGHT HAND
13	2	42503.02	SPECIAL WASHER
14	1	42246.01	ROLLER BRACKET - LEFT HAND
15	1	42246.02	ROLLER BRACKET - RIGHT HAND
16	<i>as req'd</i>	42257.02	SHIM 2mm
17	<i>as req'd</i>	42257.01	SHIM 1.2mm
18	4	9313097	SETSCREW M16 x 45
19	4	9143007	SELF LOCKING NUT M16

Module:  
7452747



**COOLER KIT ASSEMBLY**

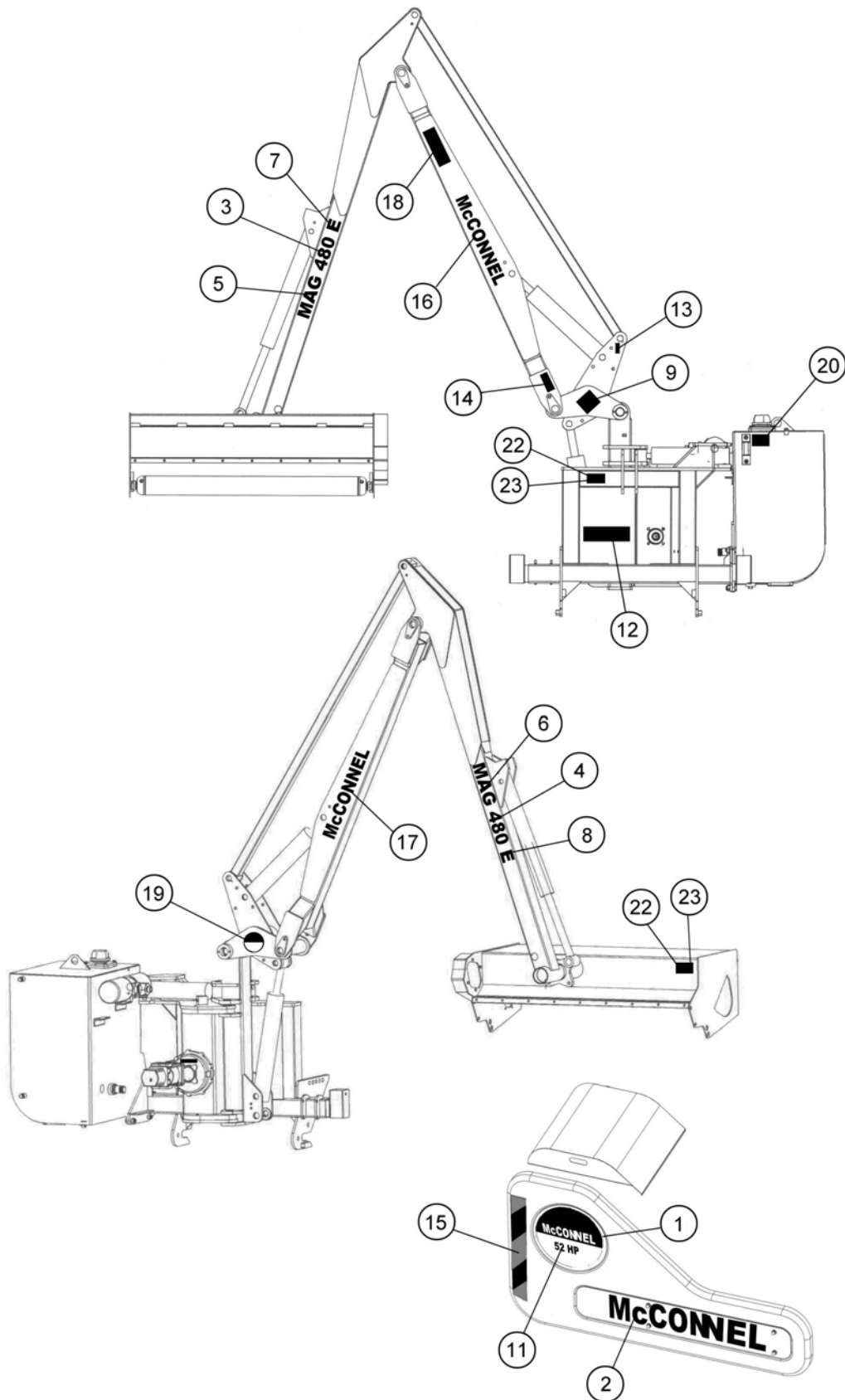
REF.	QTY.	PART No.	DESCRIPTION
		<b>7452747</b>	<b>COOLER ASSEMBLY</b>
1	1	8402380	OIL COOLER
2	1	45537.06	COVER SUPPORT - R/H Build
3	2	8650108	BONDED SEAL
4	4	9313044	SETSCREW
5	4	9143004	SELF-LOCKING NUT
6	6	9100104	FLAT WASHER
7	2	05.434.01	ADAPTOR
8	1	46043.01	RIGID PIPE
9	1	43177.38	LOOM - <i>not illustrated</i>
10	1	46046.01	COOLER FILTER BASKET
11	2	46041.01	STAND OFF
12	2	9100025	DOME NUT
13	2	9100205	SPRING WASHER
14	1	43468.05	EDGING STRIP
15	2	9143005	SELF-LOCKING NUT



**REAR COVER ASSEMBLY**

REF.	QTY.	PART NO.	DESCRIPTION
1	1	45256.02	REAR COVER
2	1	45537.02	COVER MOUNT
3	1	45251.04	COVER SUPPORT
4	4	9100105	FLAT WASHER M10
5	4	9100025	DOME NUT M10
6	2	9313045	SETSCREW M10 x 20
7	4	9100205	SPRING WASHER M10
8	2	9213226	BOLT M12 x 110
9	2	9143006	SELF-LOCKING NUT M12
10	1	45252.02	VALVE COVER
11	1	43449.02	OVERCENTRE FASTENER
12	2	1069088	POP RIVET 4.5 DIA x 12 LONG
13	2	43468.01	EDGING STRIP





## MACHINE DECALS

REF.	QTY.	PART NO.	DESCRIPTION
		◆ 7448710	DECAL KIT - MAG 480 Cable Models
		◆ 7448711	DECAL KIT - MAG 480 Electric Models
	↓		
	↓		
1	1 1	1290646	DECAL - REFLECTIVE ROUNDEL 400MM
2	1 1	1290649	DECAL - McCONNEL (SILVER)
3	1 1	1290672	DECAL - 480 (SILVER)
4	1 1	1290451	DECAL - 480 (BLACK)
5	1 1	1290673	DECAL - MAG (SILVER)
6	1 1	1290411	DECAL - MAG (BLACK)
7	- 1	1290674	DECAL - E (SILVER)
8	- 1	1290071	DECAL - E (BLACK)
9	1 1	7105130	DECAL - READ INSTRUCTION BOOK
10	1 1	1290352	DECAL - GENERAL WARNING (IN CAB)
11	1 1	1290500	DECAL - 52 HP
12	1 1	1290331	DECAL - TIGHTEN CHECKCHAINS
13	1 1	1290074	DECAL - SLING HERE
14	1 1	8402138	DECAL - SLEW WARNING
15	1 1	1290529	DECAL - CHEVRON
16	1 1	1290588	DECAL - McCONNEL (SILVER)
17	1 1	1290255	DECAL - McCONNEL (BLACK)
18	1 1	1290450	BREAKAWAY WARNING
19	1 1	1290296	LOGO ROUNDEL
20	1 1	1290023	OIL FILTER
21	8 8	1290476	GREASING POINTS
22	1 1	1335246	SERIAL No. PLATE
23	4 4	7103230	POP RIVETS



## ***PAYEN IMPORT***

*Zae du Cèdre Briard,  
77320 BETON BAZOCHES,  
FRANCAIS  
Tél: 01 60 58 53 36  
Fax: 01 64 01 05 31*



## ***McCONNEL LIMITED***

*Temeside Works, Ludlow,  
Shropshire SY8 1JL. England.  
Tel: 01584 873131  
Fax: 01584 876463  
[www.mcconnel.com](http://www.mcconnel.com)*