

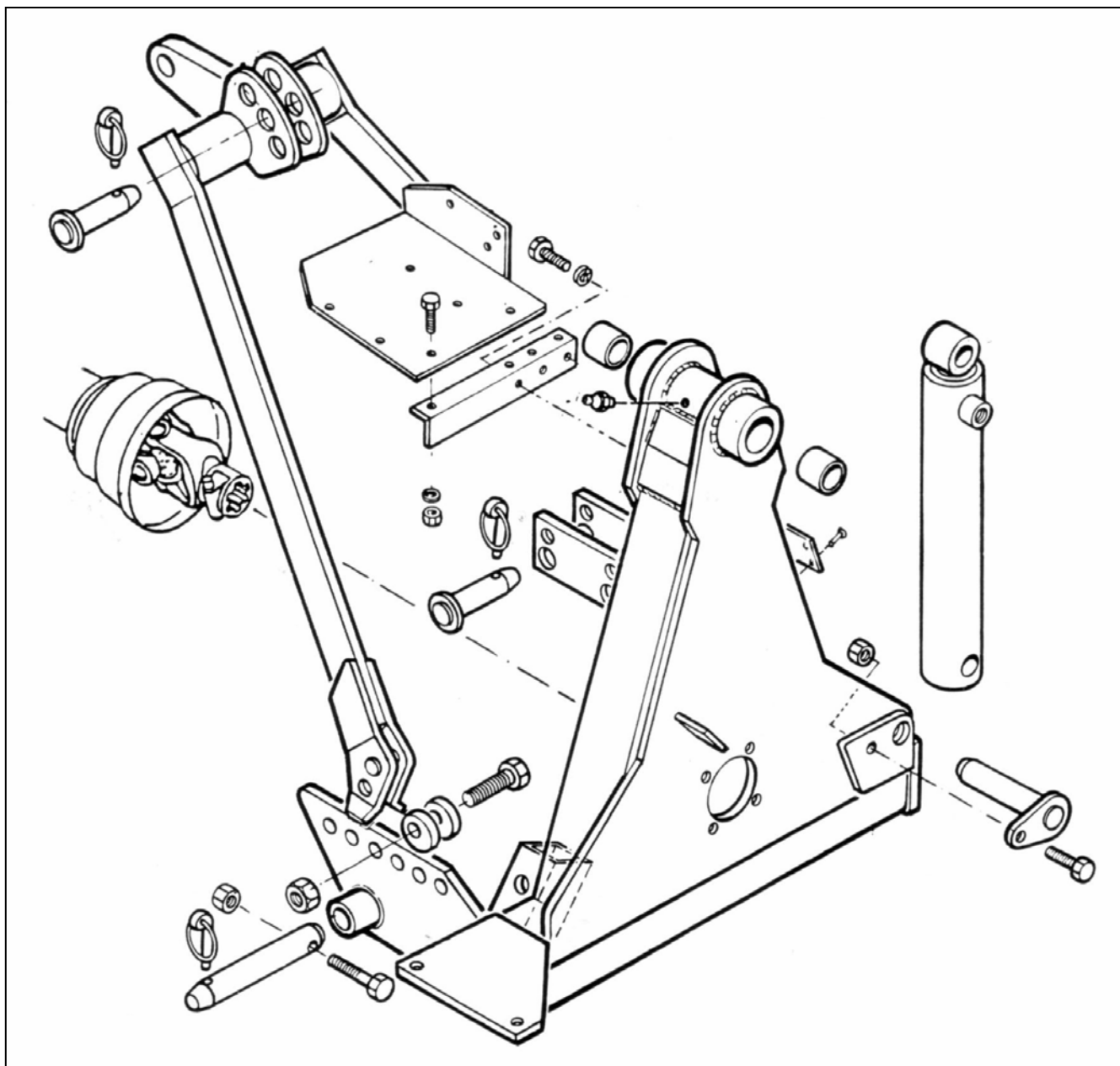
Publication 245  
Edition: 8.96  
Part No 41569.17



# MAG 460

## Cable Models

### *Pièces détachées*



**McCONEl**

# LIST OF CONTENTS

	<i>Page No.</i>
<b>MAIN FRAME PILLAR AND ARMS</b>	
Main Frame	1
Rocker	3
Main Arm	5
Dipper	7
Flail Head Casing - Direct Drive	9
Flail Head Casing - Belt Drive	13
Rotors and Flails	17
Skid	19
Control Mounting	20
<b>HYDRAULIC INSTALLATIONS</b>	
Hydraulic Installations	21
<b>CONTROL VALVES</b>	
Main Control Valve	23
Rotor Control Valve	25
Lever Controls	27
<b>GENERAL HYDRAULICS</b>	
Pump	29
Gearbox	31
Hydraulic Reservoir	33
Lift Float Kit - <i>Optional extra</i>	35
<b>HYDRAULIC RAMS</b>	
Lift Ram	37
Reach Ram	39
Breakaway/Park Ram	40
Angle Ram	41
<b>COVERS &amp; DECALS</b>	
Rear Covers	43
Decals	45



# **SPARE PARTS MANUAL**

## **FOR BEST PERFORMANCE....**

### **USE ONLY McCONNEL SPARE PARTS**

To be assured of the latest design improvements purchase your genuine replacements from the original equipment manufacturer **McConnel Ltd.** through your local dealer or stockist.

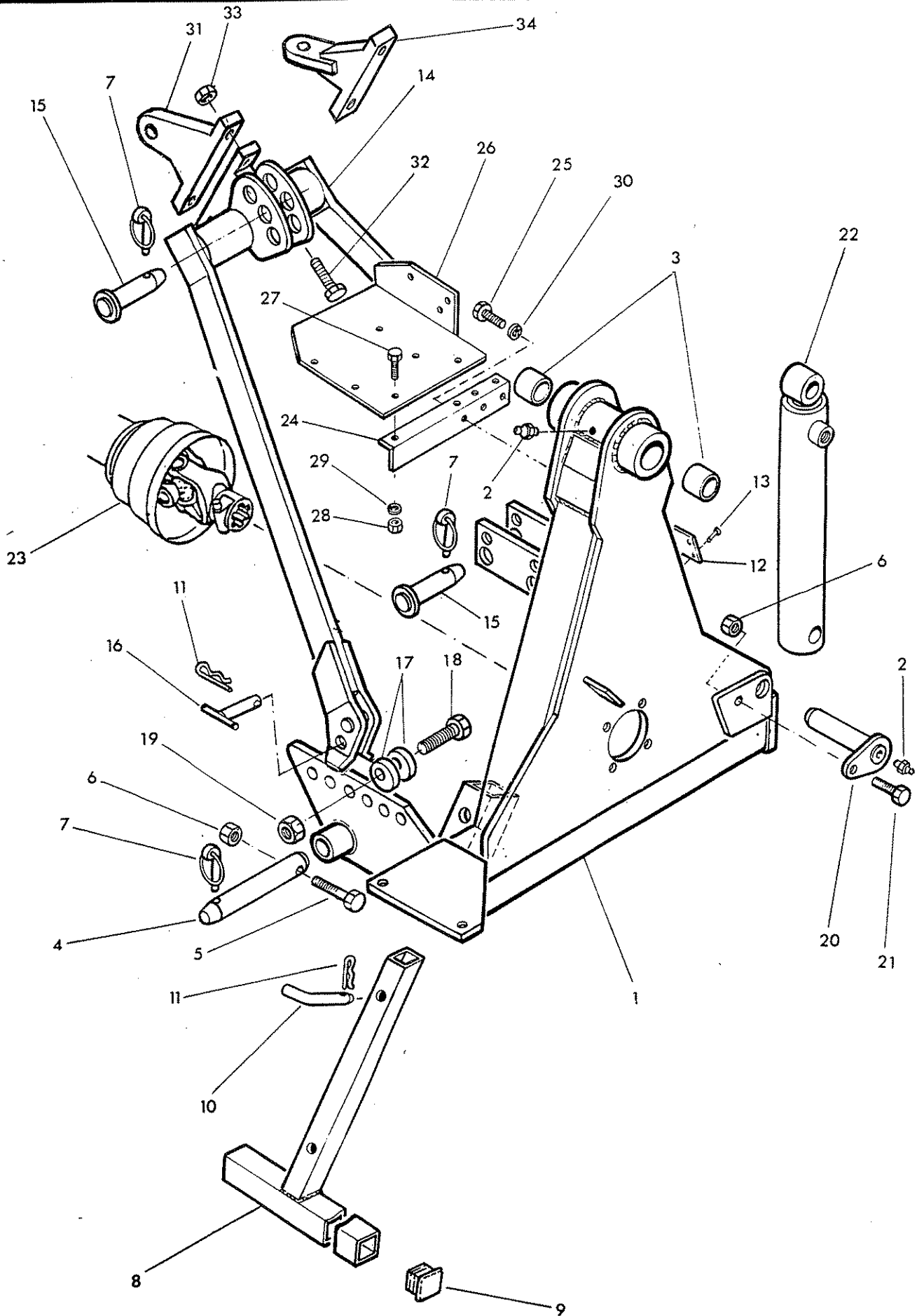
Always quote machine type and serial number as well as the part number.

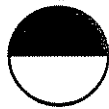
Design improvement may have altered some of the parts listed in this manual - The latest part will always be supplied when it is interchangeable with an earlier one.

# MAIN FRAME & STABILISER

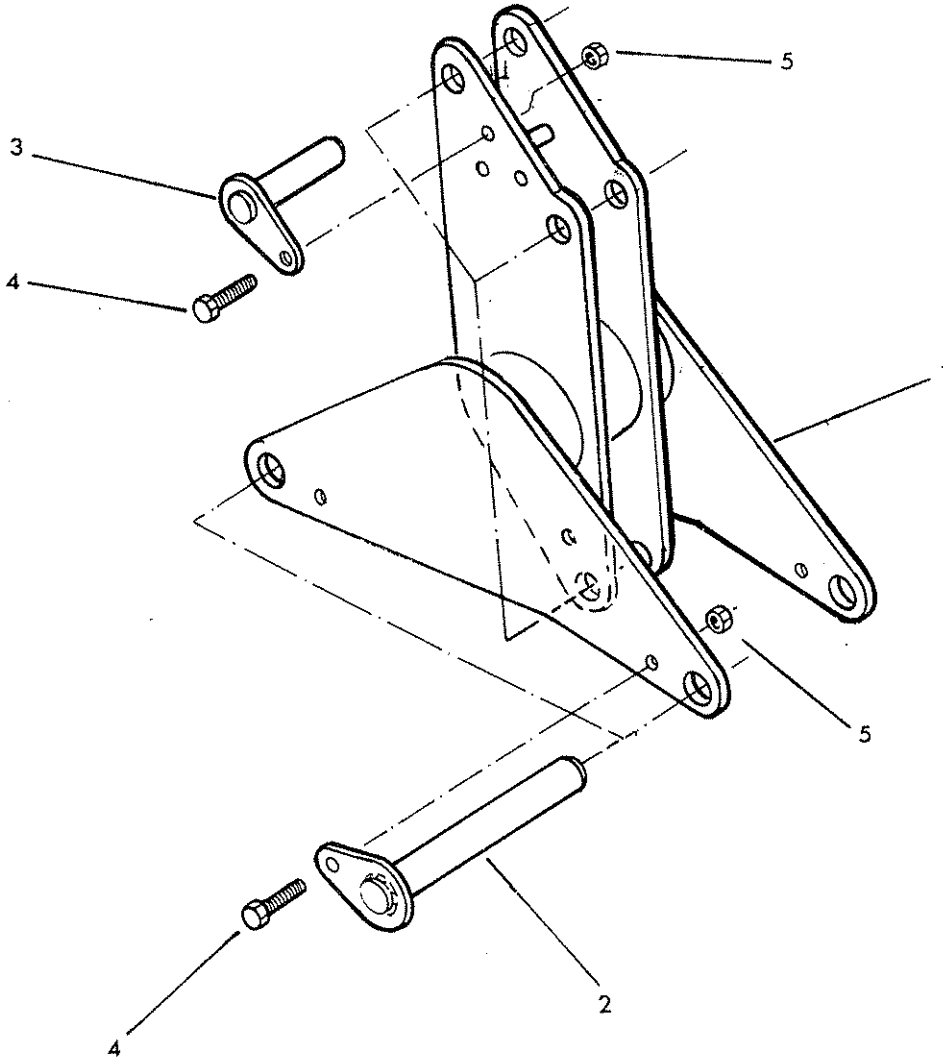


# McCOMEL





Ref.	Part No.	Qty.	Description
<b>MAINFRAME AND STABILISER</b>			
1	41860.02	1	Mainframe
2	09 01 121	2	Greaser
3	72 13 023	2	Bush
4	41899.01	2	Linkage pin
5	92 13 125	2	Bolt
6	91 43 005	3	Self locking nut
7	04 31 217	4	Linch pin
8	71 98 046	1	Stand leg - L.Hand - not illus
	71 98 016	1	Stand leg - R.Hand
9	71 91 108	2	Bung
10	71 92 023	2	Leg pin
11	04 31 105	4	Spring cotter
12	13 35 246	1	Serial No. plate
13	71 03 230	4	Pop rivet
14	41915.02	1	Stabiliser
15	71 18 112	2	Top link pin
16	71 92 027	2	Stabiliser pin
17	71 92 080	4	Eccentric collar
18	92 13 148	2	Bolt
19	91 43 008	2	Self locking nut
20	41692.03	1	Pivot pin - lift ram base
21	93 13 065	1	Setscrew
22	71 98 375	1	Lift ram assembly
23	71 14 289	1	P.T.O. shaft
24	71 91 076	1	Valve mounting bracket
25	92 13 055	2	Bolt
26	71 91 079	1	Valve mounting plate
27	93 13 044	2	Setscrew
28	91 13 004	2	Nut
29	91 00 204	2	Spring washer
30	91 00 205	2	Spring washer
31	42182.01	1	Stabiliser tongue Cat 2
	42182.02	1	Stabiliser tongue Cat 3
32	92 00 029	2	Bolt
33	91 43 008	2	Self locking nut
34	42182.06	1	Stabiliser tongue

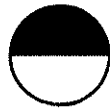




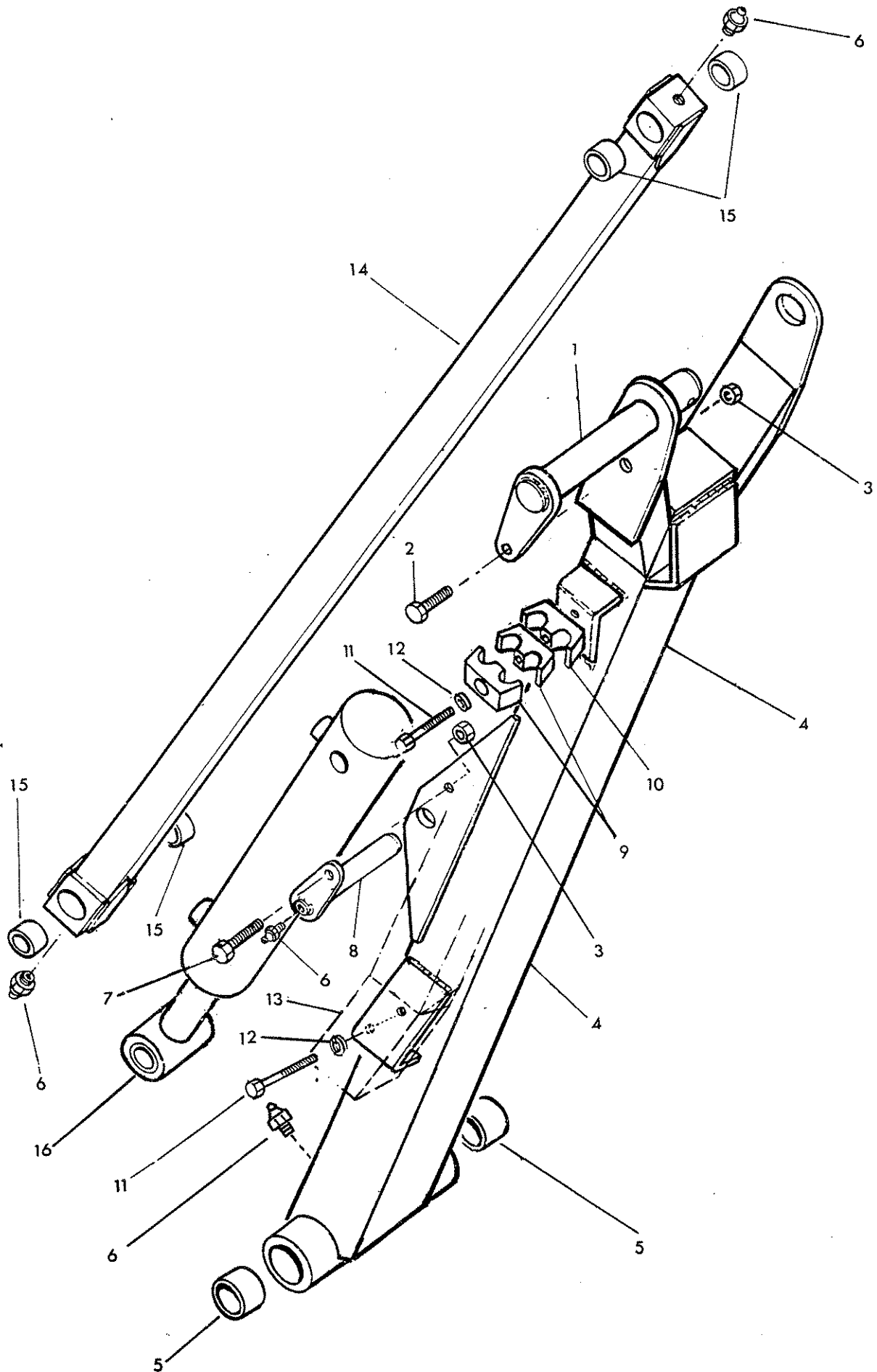
Ref.	Part No.	Qty.	Description
<b>ROCKER</b>			
1	41861.01	1	Rocker
2	71 91 033	2	Pivot pin main arm & rocker
3	41692.02	3	Pivot pin lift ram, reach ram & tension link
4	92 13 065	5	Bolt
5	91 43 005	5	Self locking nut

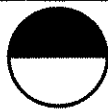


MAIN ARM



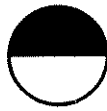
**MCCORMEL**



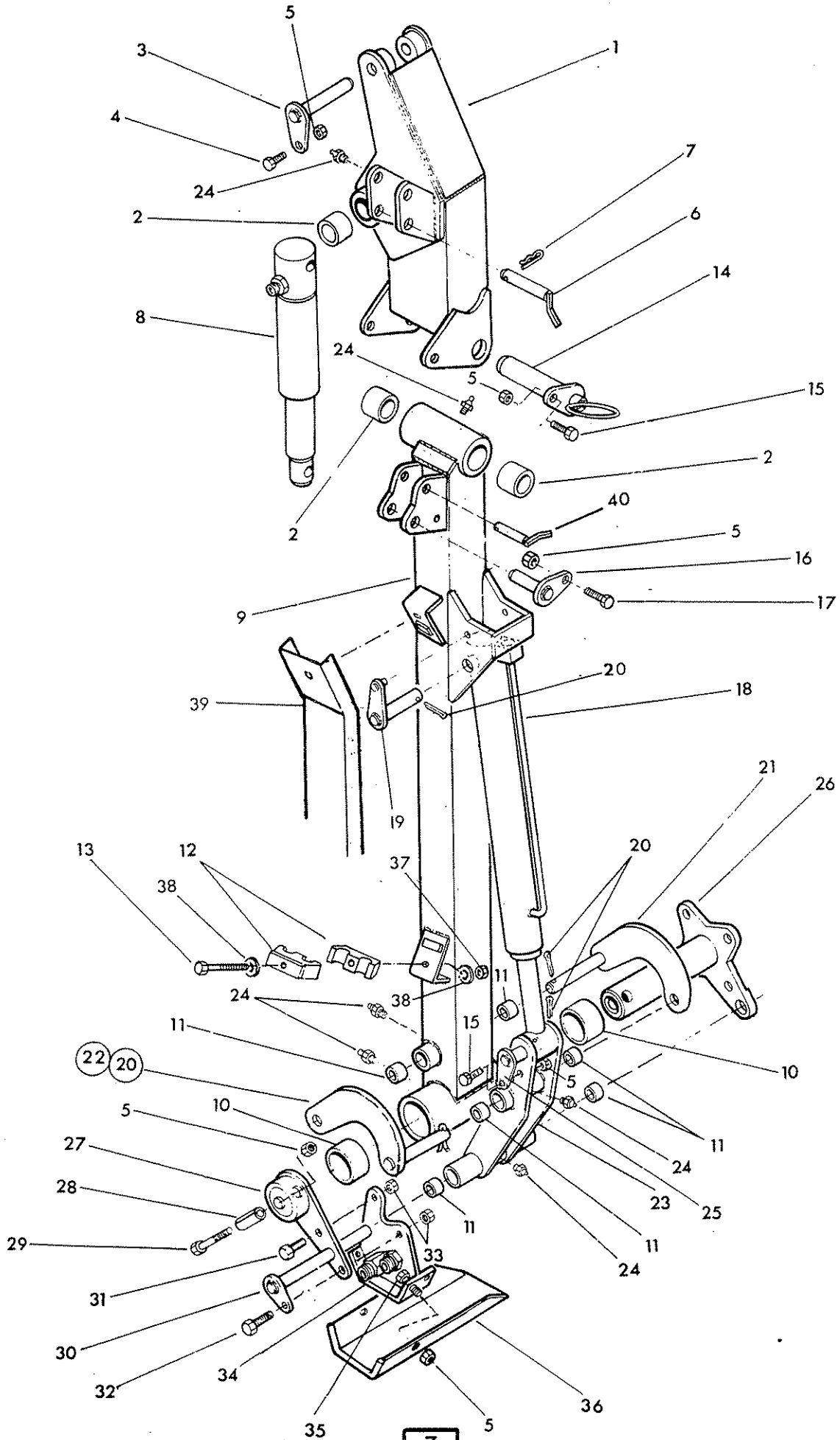


Ref.	Part No.	Qty.	Description
<b>MAIN ARM AND TENSION LINK</b>			
1	71 91 033	1	Pivot pin -dipper arm
2	92 13 075	1	Bolt
3	91 43 005	2	Self locking nut
4	41862.03	1	Main arm
5	72 13 023	2	Bush
6	09 01 121	4	Greaser
7	93 13 075	2	Setscrew
8	41692.03	1	Pivot pin - reach base
9	71 90 148	2	Hose clamp
10	71 93 065	1	Hose clamp
11	92 13 205	2	Bolt
12	91 00 105	2	Plain washer
13	71 98 342	1	Hose cover
14	41662.04	1	Tension link
15	60 12 032	4	Bush
16	71 98 376	1	Reach ram assembly

DIPPER ARM



McCONEL





Ref. Part No. Qty. Description

## DIPPER ARM AND ANGLING MECHANISM

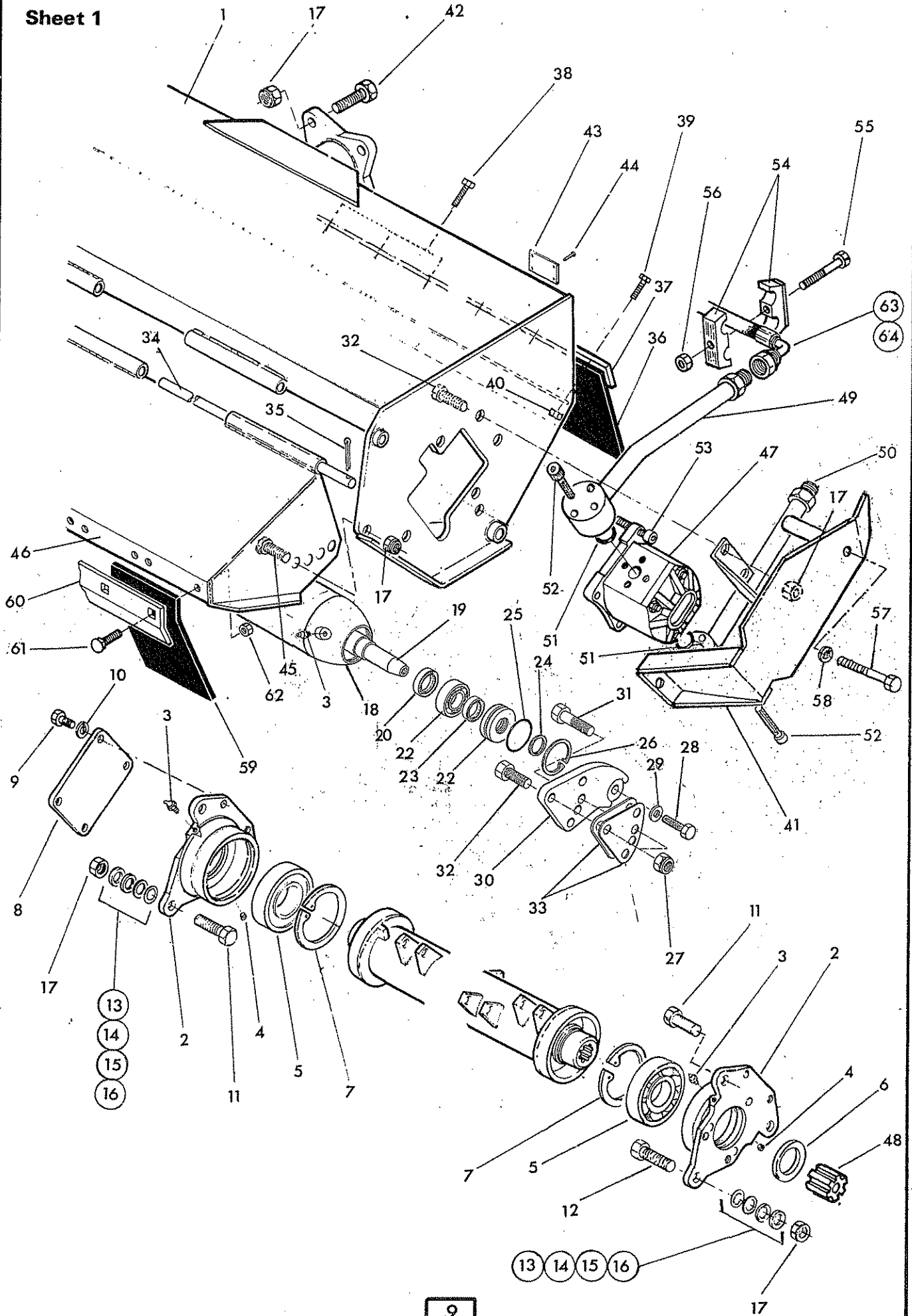
1	41869.02	1	Dipper arm upper
2	72 13 023	4	Bush
3	41692.04	1	Pivot pin - Tension link
4	93 13 055	2	Setscrew
5	91 43 005	8	Self locking nut
6	71 91 036	1	Pivot pin - B/away ram base
7	04 31 105	2	Spring cotter
8	71 98 292	1	Breakaway ram
9	41870.03	1	Dipper arm lower
10	71 36 035	2	Bush
11	41690.01	6	Bush
12	71 98 077	2	Hose clamp
13	92 13 114	2	Bolt
14	71 98 015	1	Pivot pin - Dipper lower
15	93 13 075	2	Setscrew
16	71 91 037	1	Pivot pin - B/away ram rod
17	93 13 065	1	Setscrew
18	75 60 344	1	Angle ram
19	71 92 024	1	Pivot pin - Angle ram base
20	95 01 406	4	Split pin
21	74 50 251	1	Radius arm
22	74 50 250	1	Radius arm
23	71 92 309	1	Slave link
24	09 01 121	6	Greaser straight
25	41693.01	1	Pivot pin Angle ram rod
26	71 92 308	1	Head pivot tube
27	71 92 316	1	Jaw plate
28	04 23 548	1	Spring dowel
29	92 13 185	1	Bolt
30	71 92 009	1	Pivot pin - slave link
31	02 11 126	1	Bolt
32	02 11 146	1	Bolt
33	01 46 006	2	Self locking nut
34	71 92 321	1	Hose junction bracket
35	93 13 045	2	Setscrew
36	71 98 333	1	Hose tray
37	91 13 004	2	Self locking nut
38	91 00 104	4	Plain washer
39	71 98 387	1	Hose cover
40	71 98 363	1	Transport lock pin

FLAIL CASING - Direct drive



**McCormick**

Sheet 1



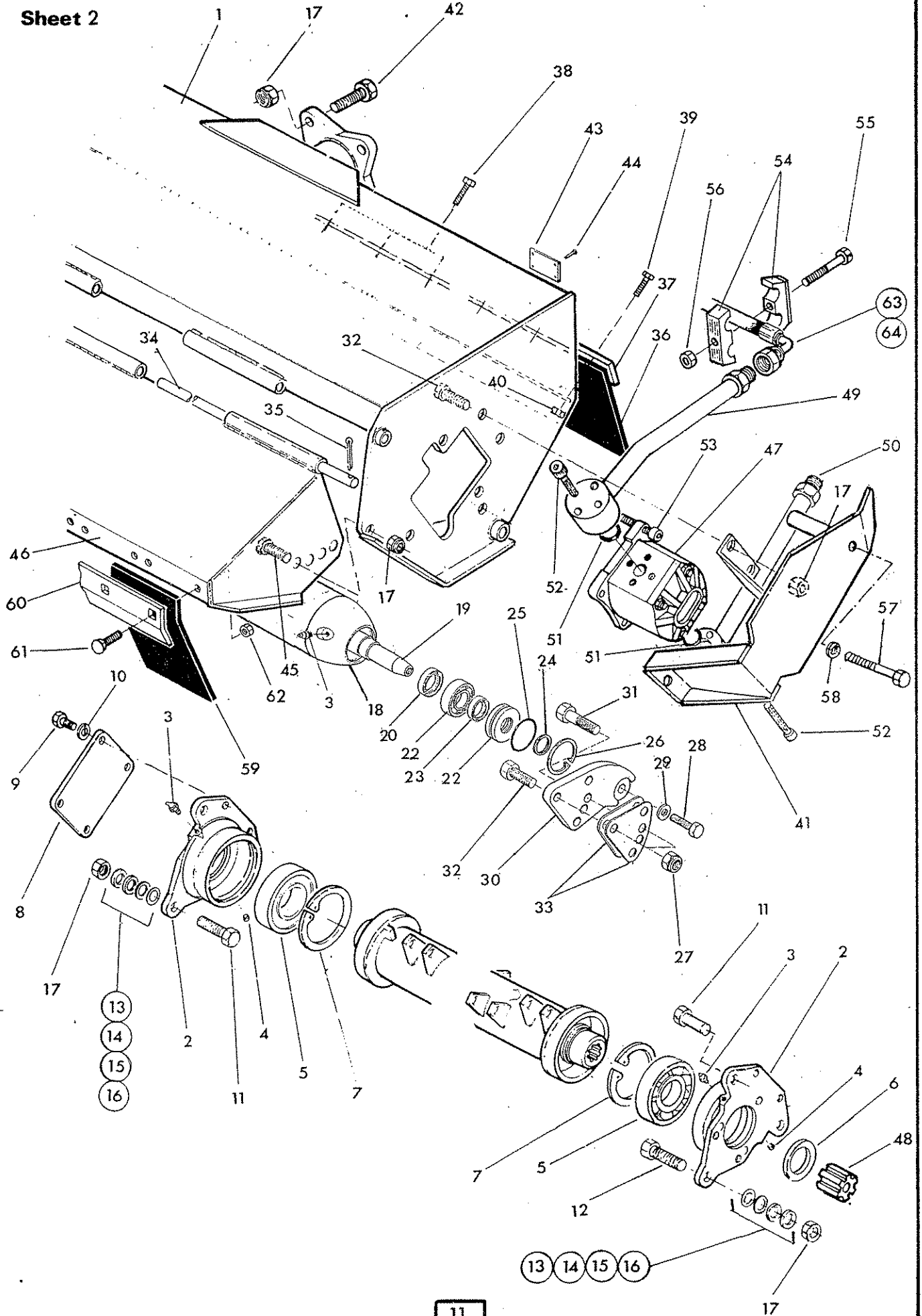
**WAGNER**

Ref.	Part No.	Qty.	Description
<b>1.2 METRE DIRECT DRIVE FLAIL HEAD CASING AND ROLLER</b>			
1	71 92 388	1	Flail casing
2	71 90 261	2	Bearing housing
3	09 01 124	4	Greaser
4	85 82 041	2	Plug
5	06 00 018	2	Ball bearing
6	71 90 015	1	Motor locating washer
7	71 90 022	2	Internal circlip
8	71 90 444	1	Cover plate
9	93 13 045	4	Setscrew
10	91 00 205	4	Spring washer
11	03 11 126	5	Setscrew
12	03 11 146	1	Setscrew
13	81 21 044	as req	Shim
14	81 21 043	as req	Shim
15	71 91 099	as req	Shim
16	71 91 098	as req	Shim
17	01 41 006	14	Self locking nut
	42241.23	1	ROLLER ASSEMBLY
18	42241.11	1	Roller
19	42242.05	1	Axle
20	86 29 215	2	Seal
21	06 00 088	2	Bearing
22	42573.01	2	Seal carrier
23	86 29 216	2	Seal
24	04.12.117	2	Spring ring
25	86 00 422	2	O ring
26	04 11 262	2	Internal circlip
27	91 43 007	4	Self locking nut
28	93 00 149	1	Special screw R hand
	93 00 150	1	Special screw L hand
29	42503.02	2	Special washer
30	42246.05	1	Roller bracket R hand
	42246.04	1	Roller bracket L hand
31	92 13 117	2	Bolt
32	93 13 097	2	Setscrew
33	42257.03	as req	Shim
	42257.04	as req	Shim
34	71 91 116	1	Hood pivot pin
35	95 01 406	1	Split pin

continued



Sheet 2





Ref.	Part No.	Qty.	Description
<b>1.2 METRE DIRECT DRIVE FLAIL HEAD CASING AND ROLLER - Continued</b>			
36	71 91 361	1	Rear flap
37	71 91 362	1	Clamp strip
38	93 13 075	3	Setscrew
39	93 13 055	7	Setscrew
40	91 43 005	10	Self locking nut
41	42282-02	1	Motor cover
42	02 11 186	4	Bolt
43	13 35 246	1	Serial No. plate
44	71 03 230	4	Pop rivet
45	03 11 106	4	Setscrew
46	71 91 352	1	Front hood
47	83 01 281	1	Hydraulic motor
48	71 90 573	1	Drive coupling
49	71 90 376	1	Rigid pipe - upper
50	71 90 377	1	Rigid pipe - lower
51	86 00 121	1	O ring
52	93 00 014	6	Capscrew
53	93 00 144	4	Capscrew
54	71 90 148	1	Hose clamp assembly
55	92 13 165	1	Bolt
56	91 43 005	1	Self locking nut
57	02 11 446	1	Bolt
58	01 00 206	1	Spring washer
	<b>72 90 375</b>	<b>1</b>	<b>FRONT FLAP KIT</b>
59	72 90 053	8	Front flap
60	71 90 304	1	Clamp
61	92 93 054	16	Bolt cup square
62	91 43 004	16	Self locking nut
<b>FLAIL HEADS WITH OUTBOARD MOTORS</b>			
63	85 38 015	2	Hose 3/4" BSP x 34" long
<b>FLAIL HEADS WITH INBOARD MOTORS</b>			
64	85 38 025	2	Hose 3/4" BSP x 42" long
	<b>86 99 236</b>		<b>SEAL KIT for hydraulic motor</b>

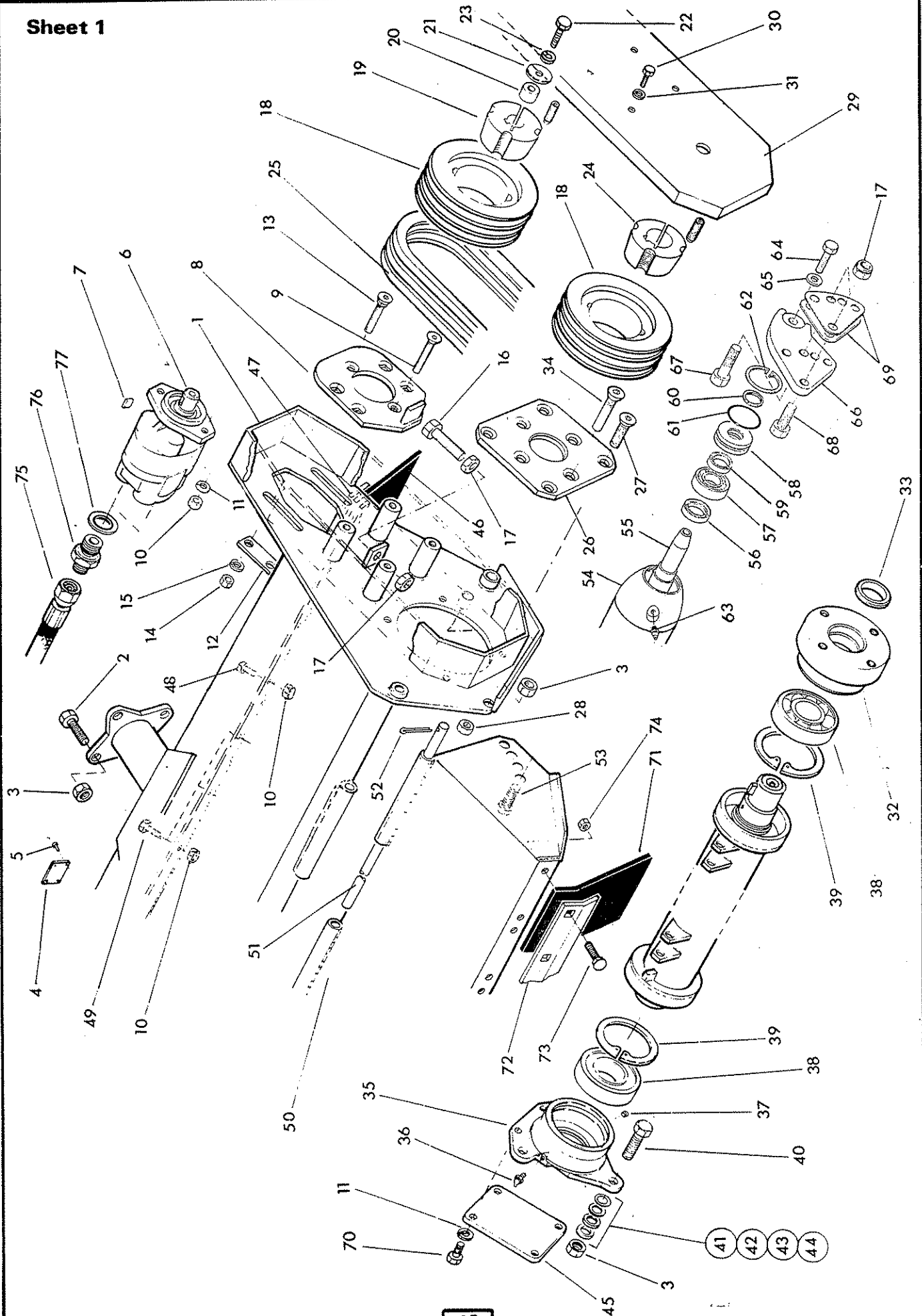


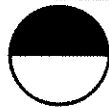
FLAIL CASING - Belt drive



McCONNELL

Sheet 1





Ref.	Part No.	Qty.	Description
<b>1.2 METER BELT DRIVE FLAIL HEAD CASING &amp; ROLLER</b>			
1	71 98 274	1	Casing
2	02 11 186	4	Bolt
3	01 41 006	11	Self locking nut
4	13 35 246	1	Serial No. plate
5	71 03 230	4	Pop rivet
6	09-773-05	1	Hydraulic motor incl. key
7	83 01 034	1	Key
8	71 98 284	1	Motor mounting plate
9	93 53 085	2	Countersunk screw
10	91 43 005	12	Self locking nut
11	91 00 205	6	Spring washer
12	71 98-026	2	Clamp strip
13	60 12 034	4	Countersunk coach bolt
14	01 42 004	4	Self locking nut
15	01 00 204	4	Spring washer
16	93 13 207	1	Belt adjuster screw
17	91 43 007	4	Locknut
18	71 98 029	2	Pulley
19	05-424-07	1	Taper lock incl screws
20	71 98 034	1	Spacer
21	71 98 035	1	Washer
22	03 11 103	1	Setscrew
23	01 00 203	1	Spring washer
24	72 90 016	1	Taper lock incl. screws
25	71 98 030	3	Belt
26	71 98 283	1	Bearing housing mounting plate
27	03 51 105	4	Countersunk screw
28	01 41 005	4	Self locking nut
29	71 98 282	1	Belt cover
30	93 13 045	8	Setscrew
31	91 00 205	8	Spring washer
32	71 98 285	1	Bearing housing - drive end
33	86 29 198	1	Seal
34	03 51 125	4	Countersunk screw
35	71 90 261	1	Bearing housing - free end
36	09 01 124	1	Greaser
37	85 82 041	1	Plug
38	06 00 018	2	Bearing
39	71 90 022	2	Internal circlip
40	03 11 126	3	Setscrew

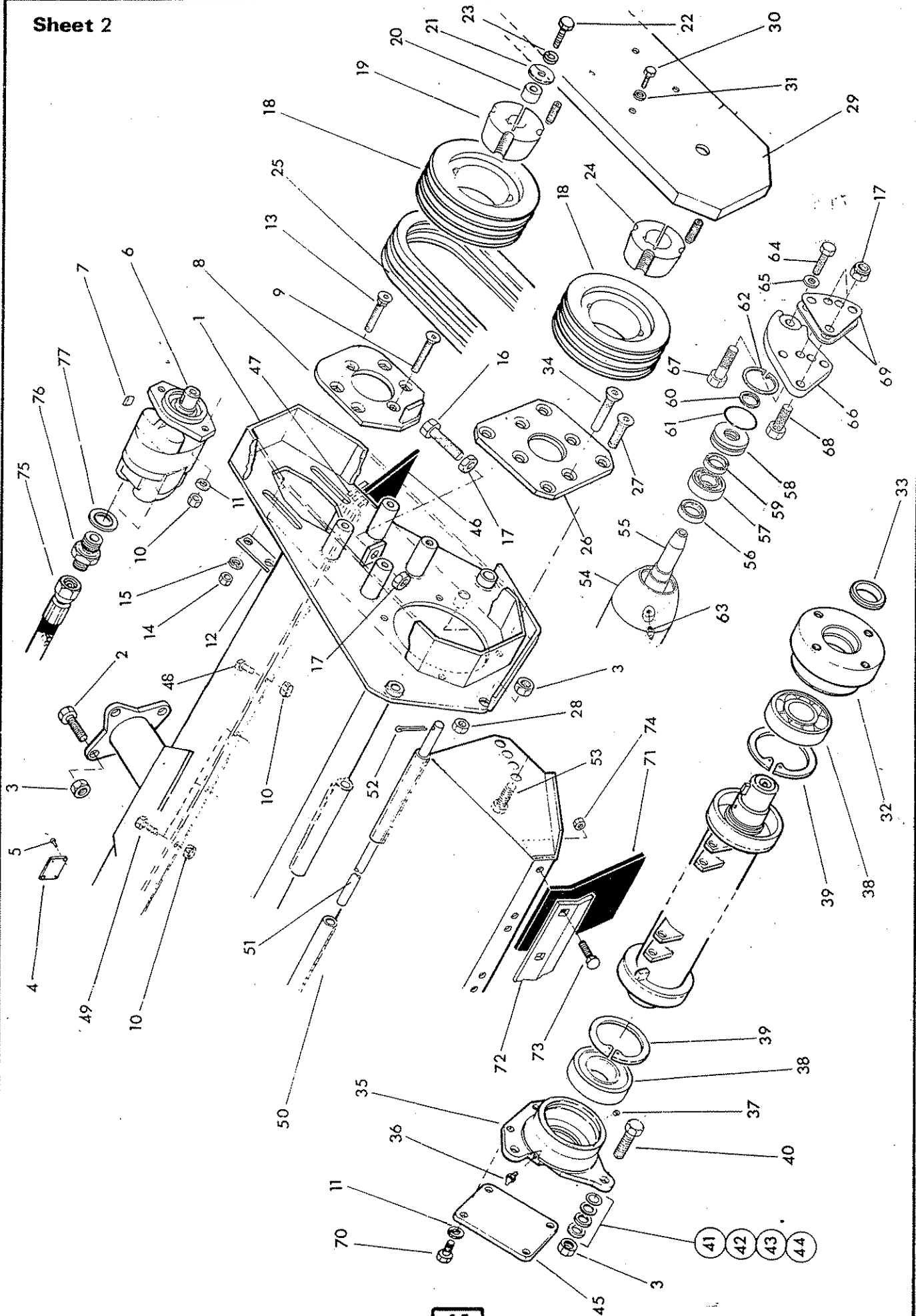
continued

FLAIL CASING - Belt drive



McCOMBI

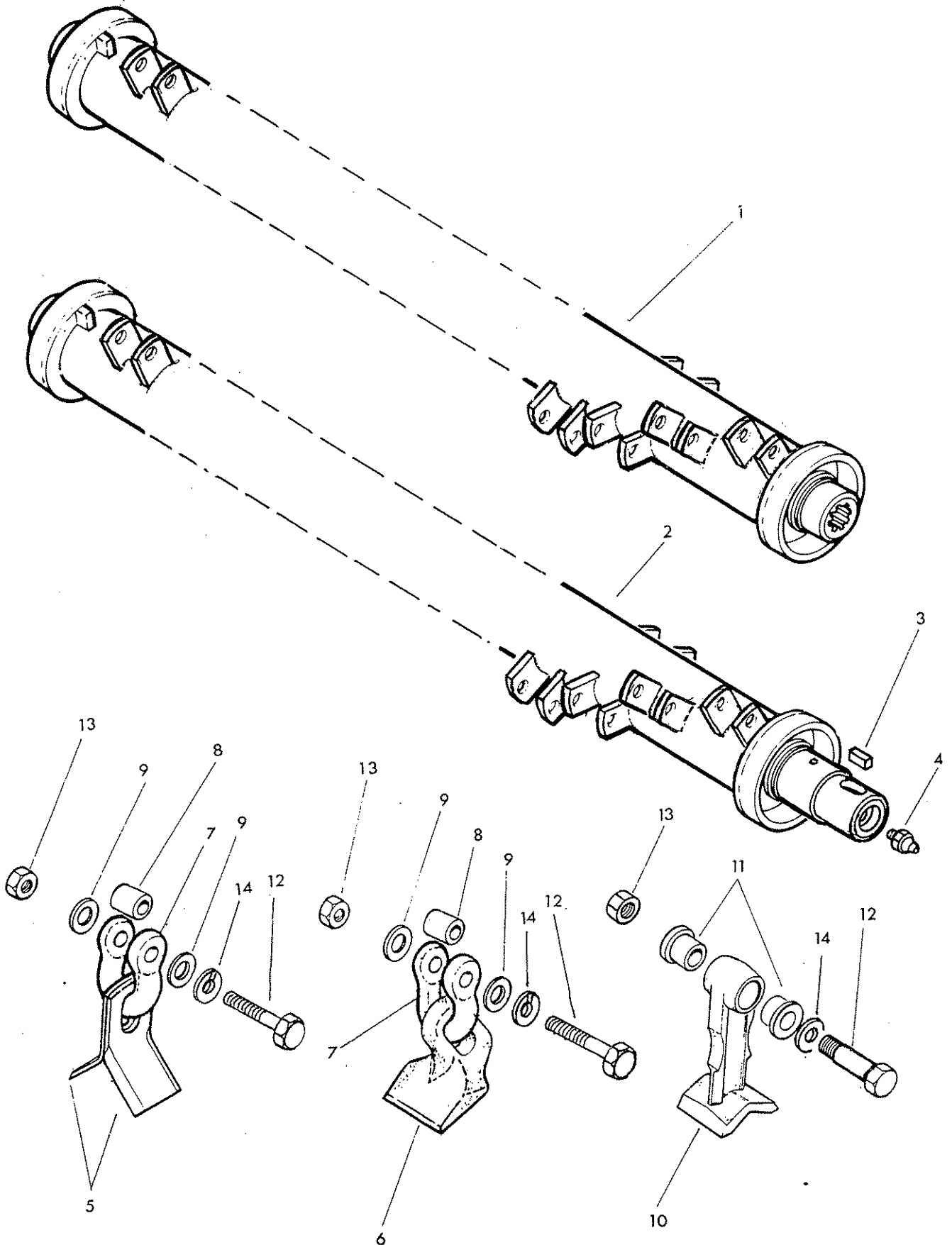
Sheet 2





# McCORMELL

Ref.	Part No.	Qty.	Description
<b>1.2METER BELT DRIVE FLAIL HEAD CASING AND ROLLER - Continued</b>			
41	81 24044	as reqd	Shim
42	81 21 043	as reqd	Shim
43	71 91 099	as reqd	Shim
44	71 91 098	as reqd	Shim
45	71 90 444	1	Cover plate
46	71 91.361	1	Rear flap
47	71 91 362	1	Clamp strip
48	93 13 065	7	Setscrew
49	93 13 075	3	Setscrew
50	71 91 352	1	Front hood
51	71 91 116	1	Hood pivot pin
52	95 01 406	2	Split pin dia
53	03 11 106	2	Setscrew
	42241.23	1	ROLLER ASSEMBLY
54	42241.11	1	Roller
55	42242.05	1	Axle
56	86 29 215	2	Seal
57	06 00 088	2	Bearing
58	42573.01	2	Seal carrier
59	86 29 216	2	Seal
60	04.12.117	2	Spring ring
61	86 00 422	2	O ring
62	04 11 262	2	Internal circlip
63	09 01 121	2	Greaser
64	93 00 149	1	Special screw R hand
	93 00 150	1	Special screw L hand
65	42503.02	2	Special washer
66	42246.05	1	Roller bracket R hand
	42246.04	1	Roller bracket L hand
67	92 13 117	2	Bolt
68	93 13 097	2	Setscrew
69	42257.03	as req	Shim
	42257.04	as req	Shim
70	93 13 045	4	Setscrew
	<b>72 90 375</b>		<b>FRONT FLAP KIT</b>
71	72 90 053	8	Front flap
72	71 90 304	1	Clamp strip
73	92 93 054	16	Dome headed coach bolt
74	91 43 005	16	Self locking nut
75	85 18 075	2	Hose 3/4" BSP x 29" long
76	85 81 136	2	Adaptor
77	86 50 106	2	Bonded washer
	<b>86 99 237</b>		<b>SEAL KIT for motor</b>





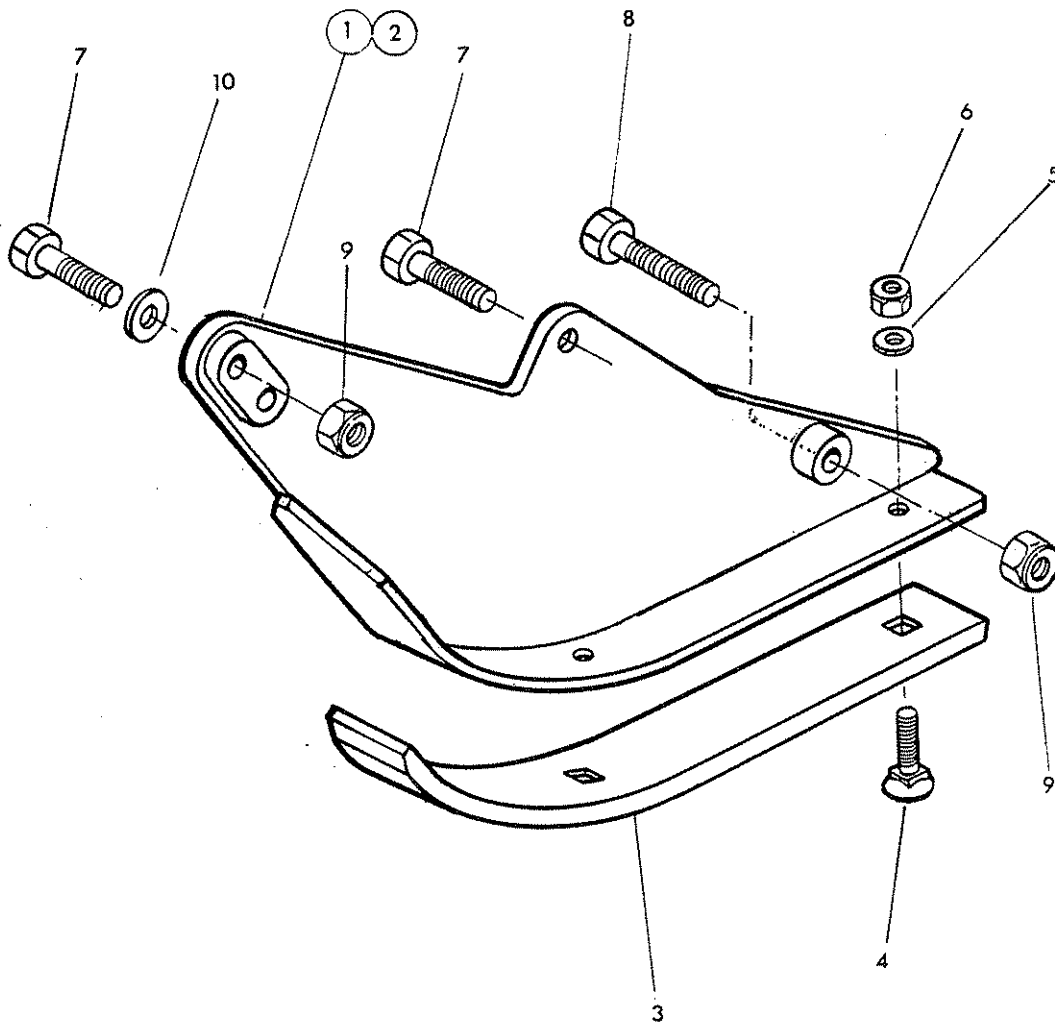
Ref. Part No. Qty. Description

**ROTORS AND FLAILS**

1	71 98 346	1	Rotor- direct drive head
2	71 98 347	1	Rotor - belt drive head incl. key and greaser
3	72 90 017	1	Key
4	09 01 121	1	Greaser

The following flails are suitable for use with either rotor

5	71 90 166	48	Flail
6	71 90 462	24	Flail
7	05 895 01	24	Shackle
8	02 807 01	24	Spacer
9	05 281 04	48	Washer
10	71 98 344	48	Flail
11	71 98 087	48	Bush
12	05 775 10	24	Bolt - special
13	05 968 06	24	Nut
14	91 00 207	24	Spring washer

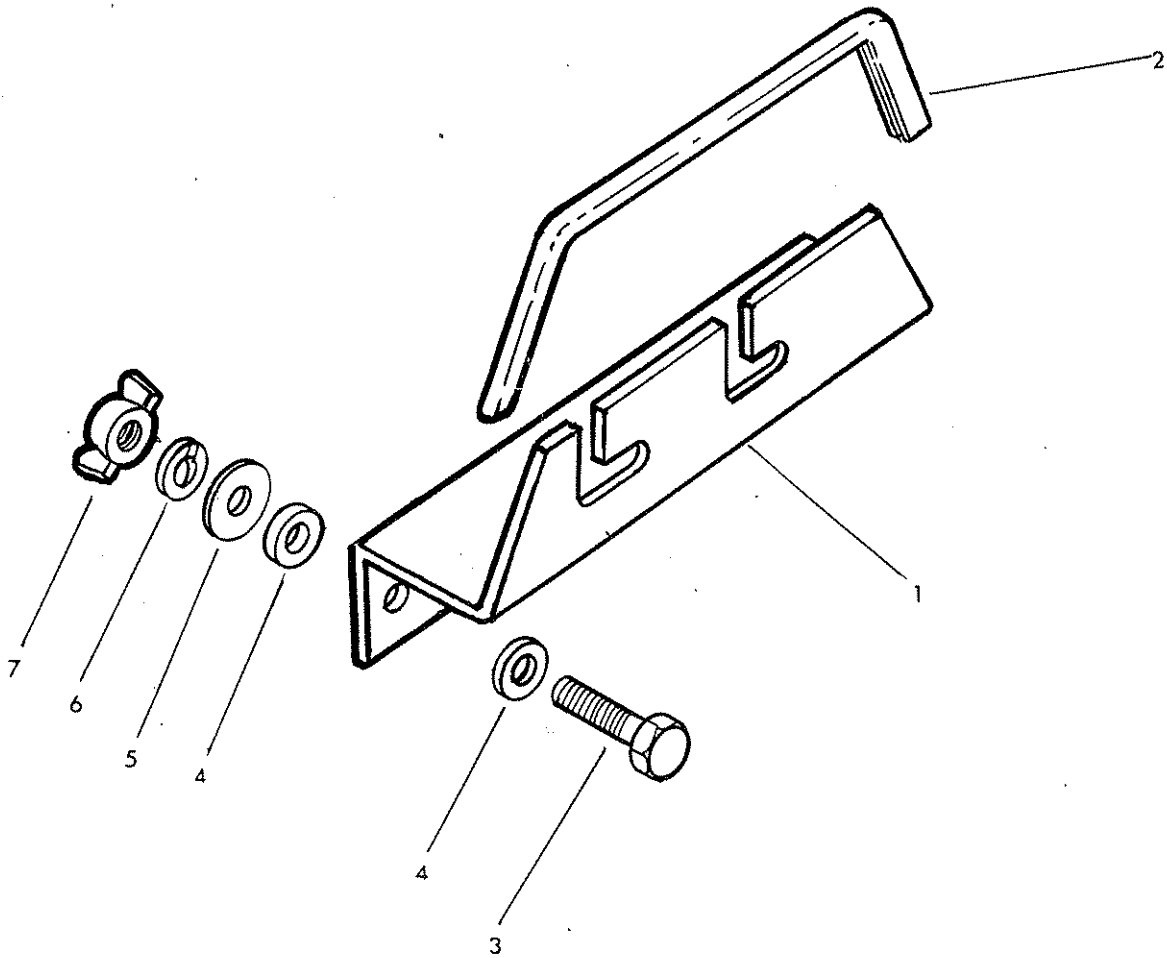


Ref. Part No.

Qty. Description

**SKID KIT - Option**

1	71 98 368	1	Skid - L.Hand
2	71 98 369	1	Skid - R.Hand - not illus.
3	72 90 391	2	Wear skid
4	60 12 034	6	Tine bolt
5	01 00 104	6	Plain washer
6	01 42 004	6	Self locking nut
7	03 11 106	4	Set screw
8	03 11 126	2	Set screw
9	01 41 006	4	Self locking nut
10	01 00 106	2	Plain washer



Ref	Part No	Qty	Description
-----	---------	-----	-------------

**CONTROL UNIT MOUNTING ASSY**

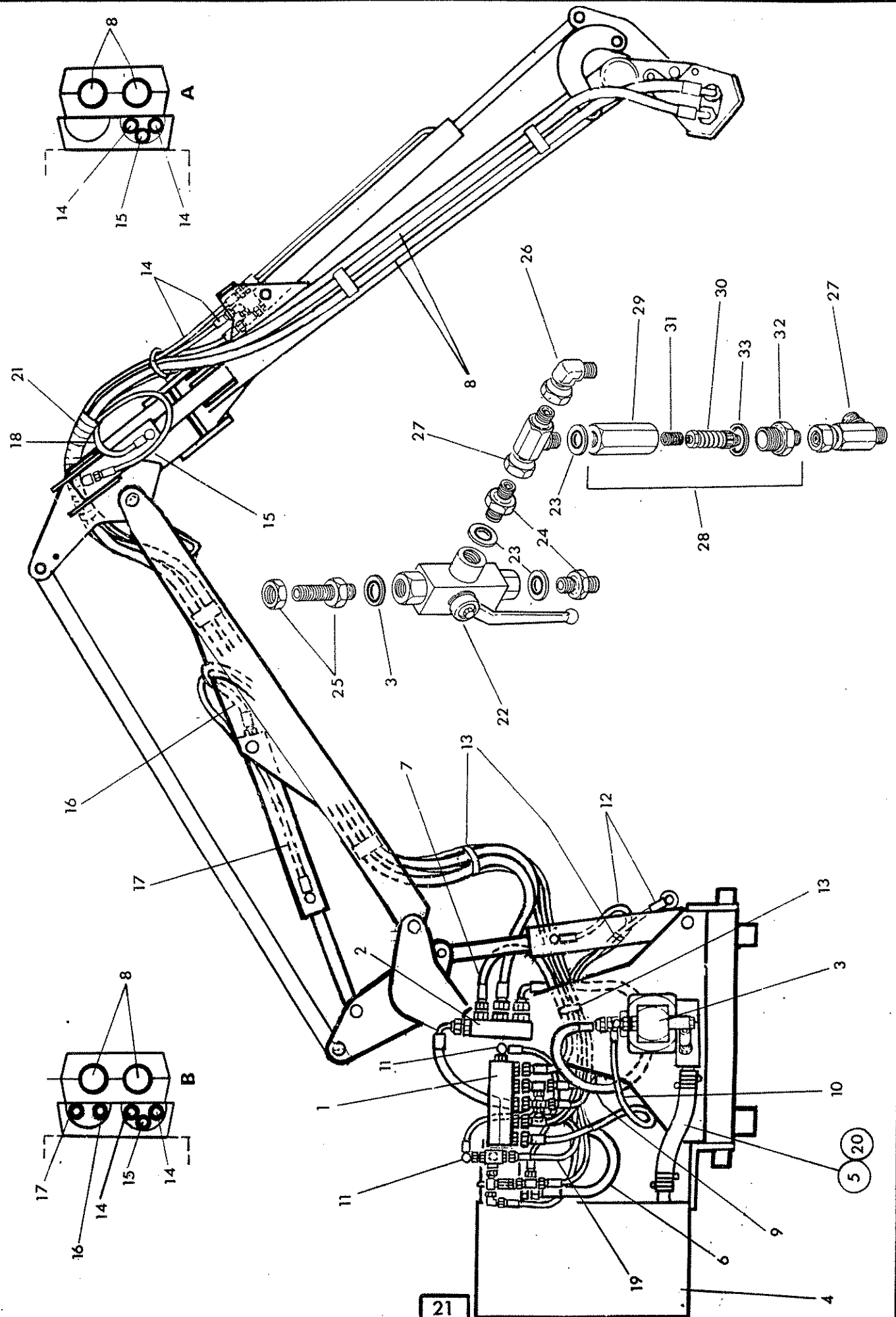
1	03.583.01	1	Bracket
2	03.231.02	1	Rubber edge strip
3	93 13 094	2	Setscrew
4	03.152.01	4	Rubber washer
5	91 00 104	2	Plain washer
6	91 00 204	2	Spring washer
7	91 93 004	2	Wingnut

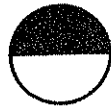


# HOSE INSTALLATION



# McCONNELL





Ref. Part No. Qty. Description

**HYDRAULIC INSTALLATION**

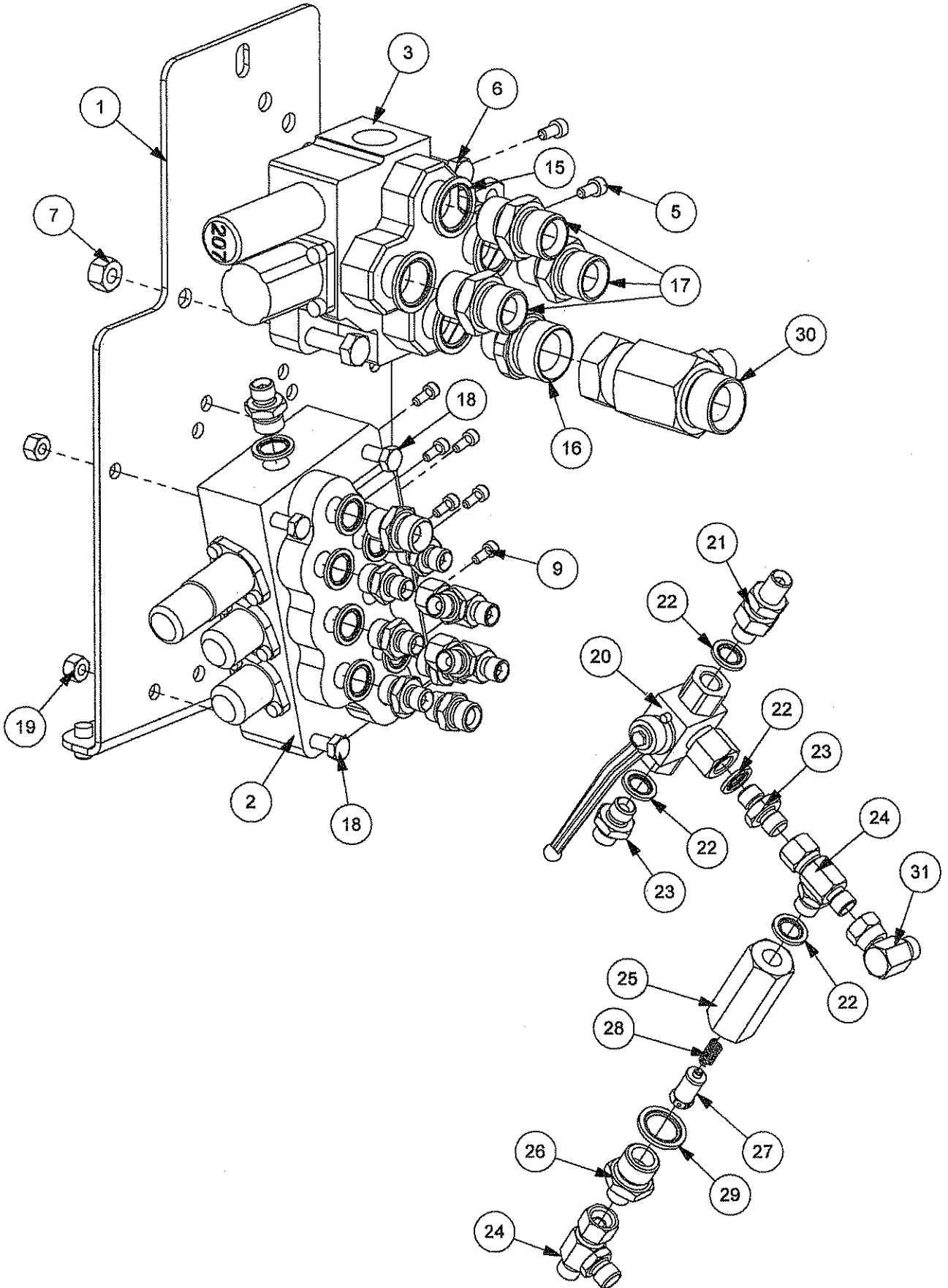
1		1	Control valve
2		1	Rotor control valve
3		1	Pump/gearbox
4		1	Tank
5	85 01 192	1	Hose x 27" long -suction 1 1/2" bore
6	85 01 142	1	Hose 1" BSP x 58" long return to tank
7	85 13 074	1	Hose 1/2 BSP x 46" long control valve to rotor control valve
8	85 38 065	2	Hose 3/4" BSP x 203" long-flail motor
9	85 38 115	1	Hose 3/4" BSP x 51" long pump to rotor control valve
10	85 31 343	1	Hose 3/8" BSP x 36" long-pump to control valve
11	85 35 092	2	Hose 1/4" BSP x 22" long
12	85 35 192	2	Hose 1/4" BSP x 44" long -lift ram
13	71 35 084	6	Hose tie
14	85 15 072	2	Hose 1/4" BSP x 174" long -angle ram
15	85 15 012	1	Hose 1/4 BSP x 156" long-Breakaway base
16	85 15 242	1	Hose 1/4" BSP x 106" long-reach base
17	85 35 212	1	Hose 1/4 BSP x 124" long -Reach gland
18	85 35 042	1	Hose 1/4 BSP x 40" long b'away gland-angle ram
19	85 35 102	1	Hose 1/4 BSP x 17" long
20	09 04 107	4	Hose clip - 1 1/2" bore
21	71 93 026	1	Hose armour
22	41392.01	1	Diverter
23	86 50 102	4	Bonded seal 1/4 BSP
24	85 81 169	2	Union 1/4 BSP MM
25	71 05 153	1	Bulkhead union 1/4 BSP with locknut
26	85 81 190	1	Swivel elbow 1/4 BSP MF
27	85 81 254	2	Tee piece 1/4 BSP F MM
28	81 30 153	1	Lift service relief valve assy compr:-
29	81 30 156	1	Relief valve housing
30	81 30 029	1	Relief valve
31	81 16 011	1	Spring
32	81 30 083	1	Relief valve body
33	86 50 104	1	Bonded seal 1/2 BSP

MAG 460

# CONTROL VALVE ASSEMBLY



Module:  
7447534

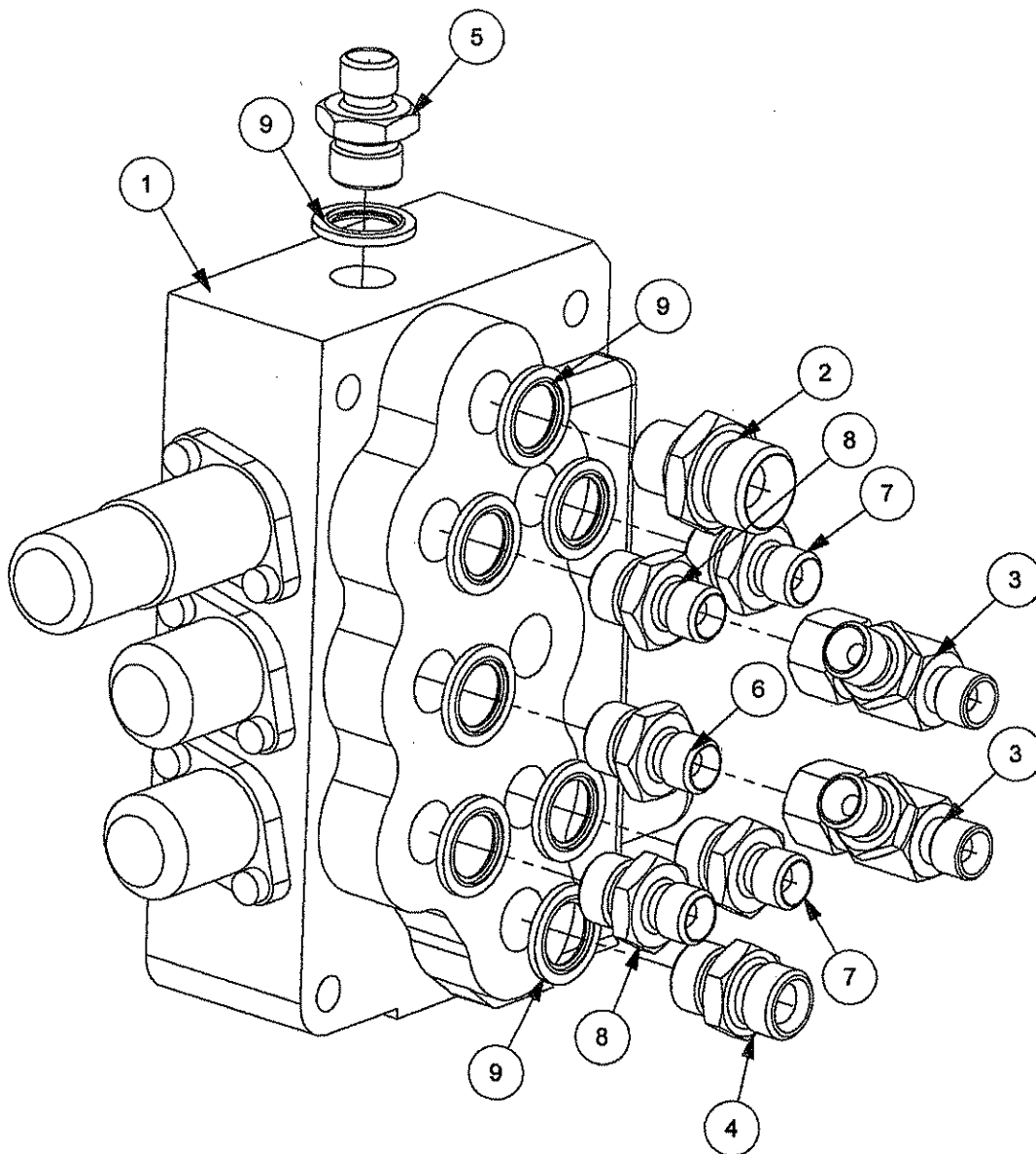


## CONTROL VALVE ASSEMBLY

REF.	QTY.	PART No.	DESCRIPTION
		<b>7447534</b>	<b>CABLE VALVE ASSEMBLY</b>
1	1	45850.01	VALVE BRACKET
2	1	8130668	ACV ASSEMBLY c/w ANGLE FLOAT
3	1	8125385	ROTOR CONTROL VALVE - 207BAR
4	1	8017065	ROTOR CONTROL HEAD & CABLE - 2.5m
5	2	9343023	CAPSCREW
6	2	9213085	BOLT
7	2	9143005	SELF-LOCKING NUT
8	3	8017058	ARM CONTROL HEAD & CABLE - 2.5m
9	6	9343022	CAPSCREW
10	1	7650306	CABLE ARMREST - 4 LEVER
11	1	1290368	CONTROL STICKER
12	3	04.282.70	STUD
13	6	9143003	SELF-LOCKING NUT
14	1	1290338	DECAL - ROTOR REVERSE
15	4	8650106	BONDED SEAL
16	1	8002086	ADAPTOR
17	3	8581136	ADAPTOR
18	3	9213124	BOLT
19	3	9143004	SELF-LOCKING NUT
20	1	41392.01	TAP
21	1	7105153	ADAPTOR BULKHEAD
22	4	8650102	BONDED SEAL
23	2	8581169	ADAPTOR
24	2	8581254	ADAPTOR TEE - MFM
25	1	8130156	RELIEF VALVE HOUSING
26	1	8130083	ADAPTOR RELIEF BODY
27	1	8130029	RELIEF VALVE - 175BAR
28	1	8116011	SPRING
29	1	8650104	BONDED SEAL
30	1	04.056.34	ADAPTOR TEE
31	1	8581190	ADAPTOR ELBOW - 90°
32	3	10.002.06	HOSE -1/4" BSP FS/F90 x 300mm
33	2	09.968.99	KNOB (RED) - <i>Reach &amp; Rotor Control Levers</i>
34	1	8017068	KNOB (YELLOW) - <i>Lift Control Lever</i>
35	1	8017067	KNOB (GREEN) - <i>Angle Control Lever</i>

# CONTROL VALVE

Module:  
8130668

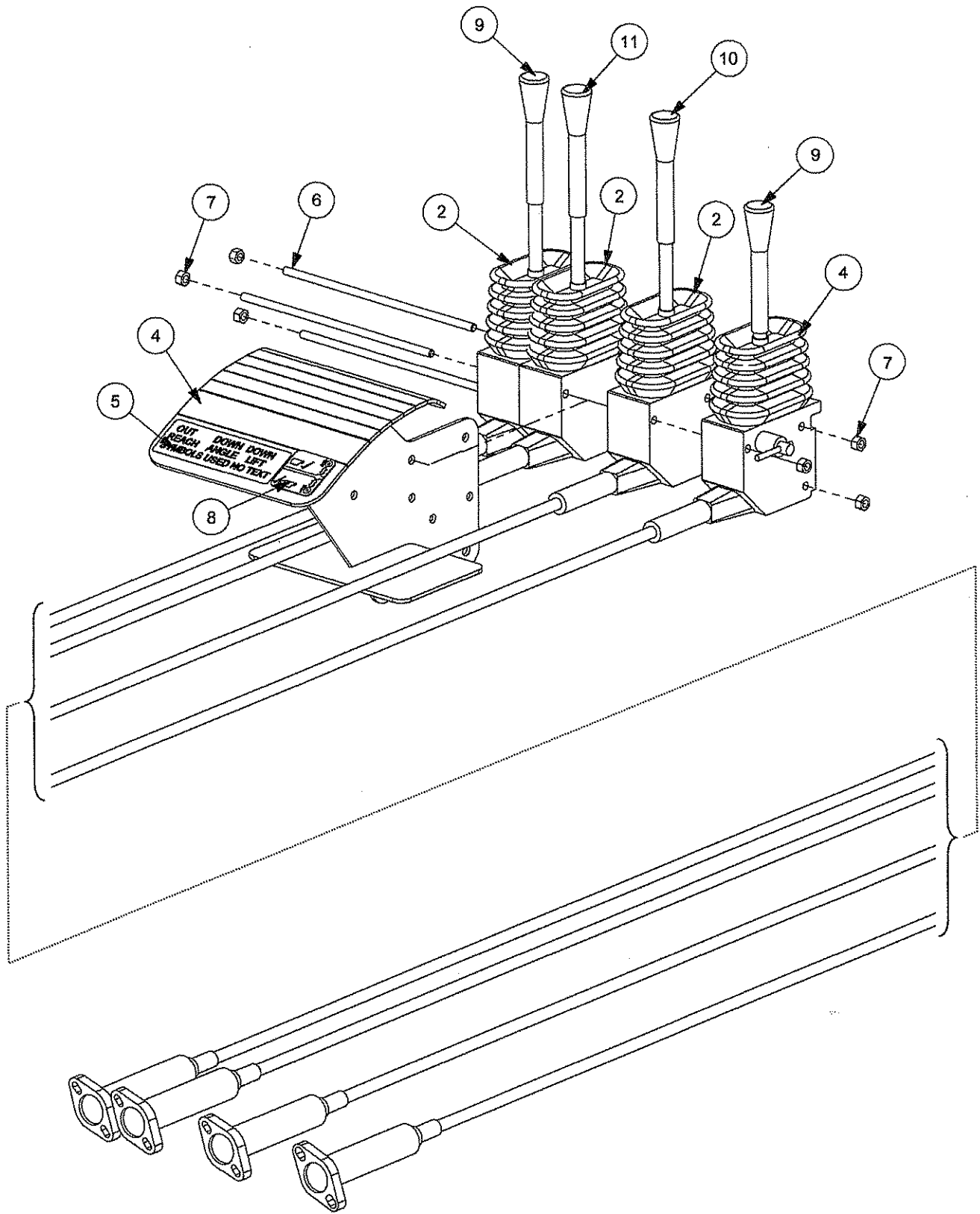


**CONTROL VALVE**

REF.	QTY.	PART No.	DESCRIPTION
		<b>8130668</b>	<b>CABLE CONTROL VALVE</b>
1	1	8130417	VALVE - 3 SPOOL
2	1	6000112	ADAPTOR
3	2	8581254	ADAPTOR TEE
4	1	6000113	ADAPTOR
5	1	8581115	ADAPTOR
6	1	8130048	ADAPTOR RESTRICTOR - 1.3 'C'
7	2	8130046	ADAPTOR RESTRICTOR - 1.5 'A'
8	2	8130066	ADAPTOR RESTRICTOR - 1.15 'S'
9	8	8650103	BONDED SEAL

# CABLE CONTROLS

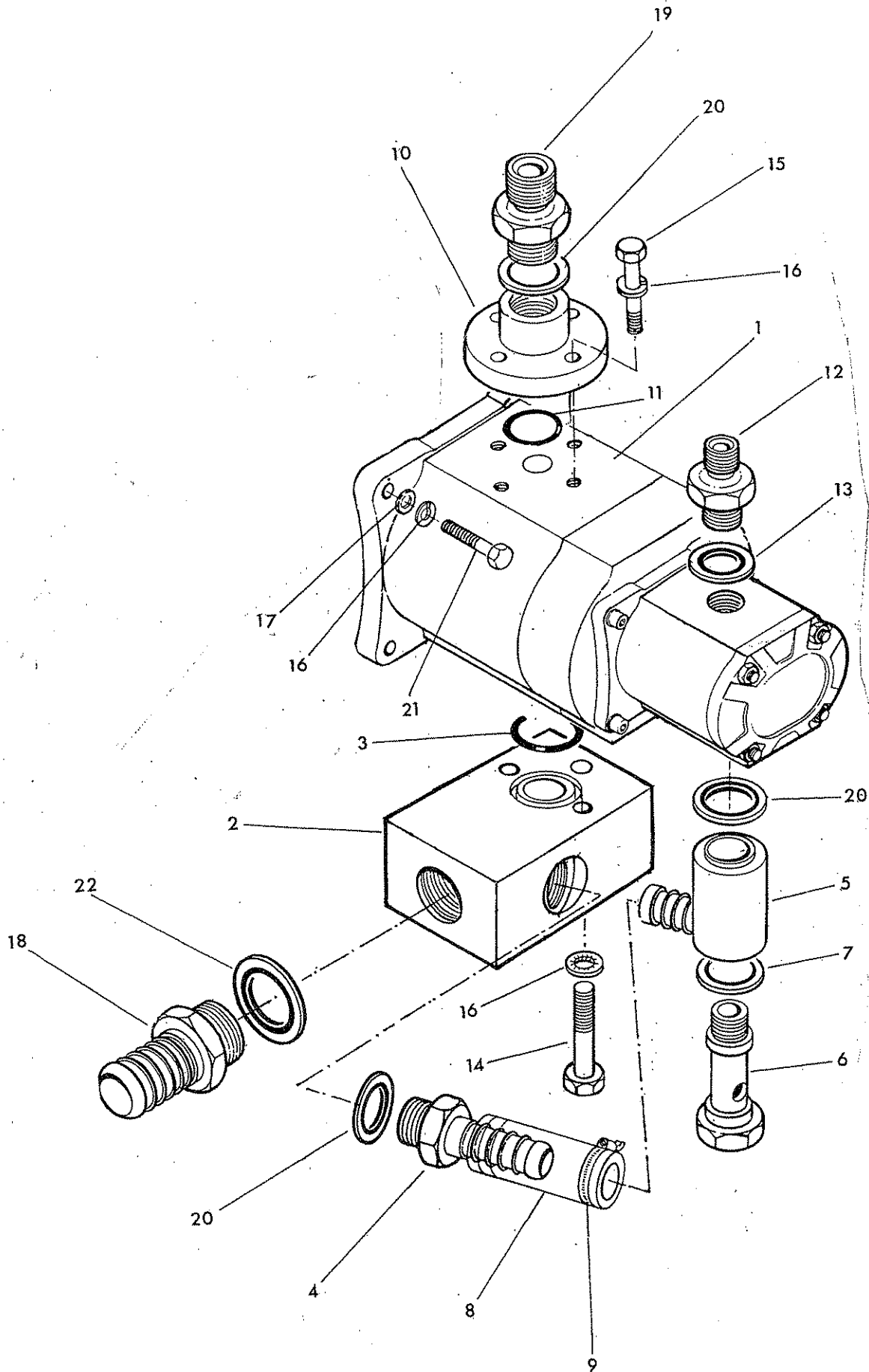
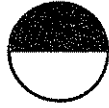
Module:  
7447534 (Sub Component of)



## CABLE CONTROLS

REF.	QTY.	PART No.	DESCRIPTION
<i>Sub Component of:</i> 7447534			<b>CABLE CONTROLS</b>
1	1	8017065	ROTOR CONTROL HEAD & CABLE - 2.5m
2	3	8017058	ARM CONTROL HEAD & CABLE - 2.5m
3	6	9343022	CAPSCREW
4	1	7650306	CABLE ARMREST - 4 LEVER
5	1	1290368	CONTROL STICKER
6	3	04.282.70	STUD
7	6	9143003	SELF-LOCKING NUT
8	1	1290338	DECAL - ROTOR REVERSE
9	2	09.968.99	KNOB (RED) - <i>Reach &amp; Rotor Control Levers</i>
10	1	8017068	KNOB (YELLOW) - <i>Lift Control Lever</i>
11	1	8017067	KNOB (GREEN) - <i>Angle Control Lever</i>







Ref. Part No. Qty. Description

## PUMP ASSEMBLY - FOR T.I. MACHINES

1	82 01 466	1	Tandem pump compr:-
	82 01 684	1	Large pump
	82 01 677	1	Small pump
2	71 92 372	1	Suction block
3	86 00 122	1	'O' ring
4	85 81 301	1	Adaptor                      low pressure
5	80 13 095	1	Banjo
6	80 13 096	1	Banjo bolt
7	86 50 107	1	Bonded seal
8	85 01 213	1	Connecting hose
9	09 04 204	2	Hose clip
10	80 13 088	1	Pump flange
11	86 00 119	1	'O' ring
12	85 81 110	1	Adaptor
13	85 50 104	1	Bonded seal
14	92 13 144	3	Bolt
15	93 13 054	4	Setscrew
16	91 00 404	11	Shakeproof washer
17	91 00 104	4	Plain washer
18	85 81 260	1	Adaptor                      low pressure
19	85 81 136	1	Union
20	86 50 106	3	Bonded seal
21	92 13 094	4	Bolt
22	86 50 109		Bonded seal

86 99 231

PUMP SEAL KIT

Model: MAG460

# PUMP & GEARBOX ASSEMBLY

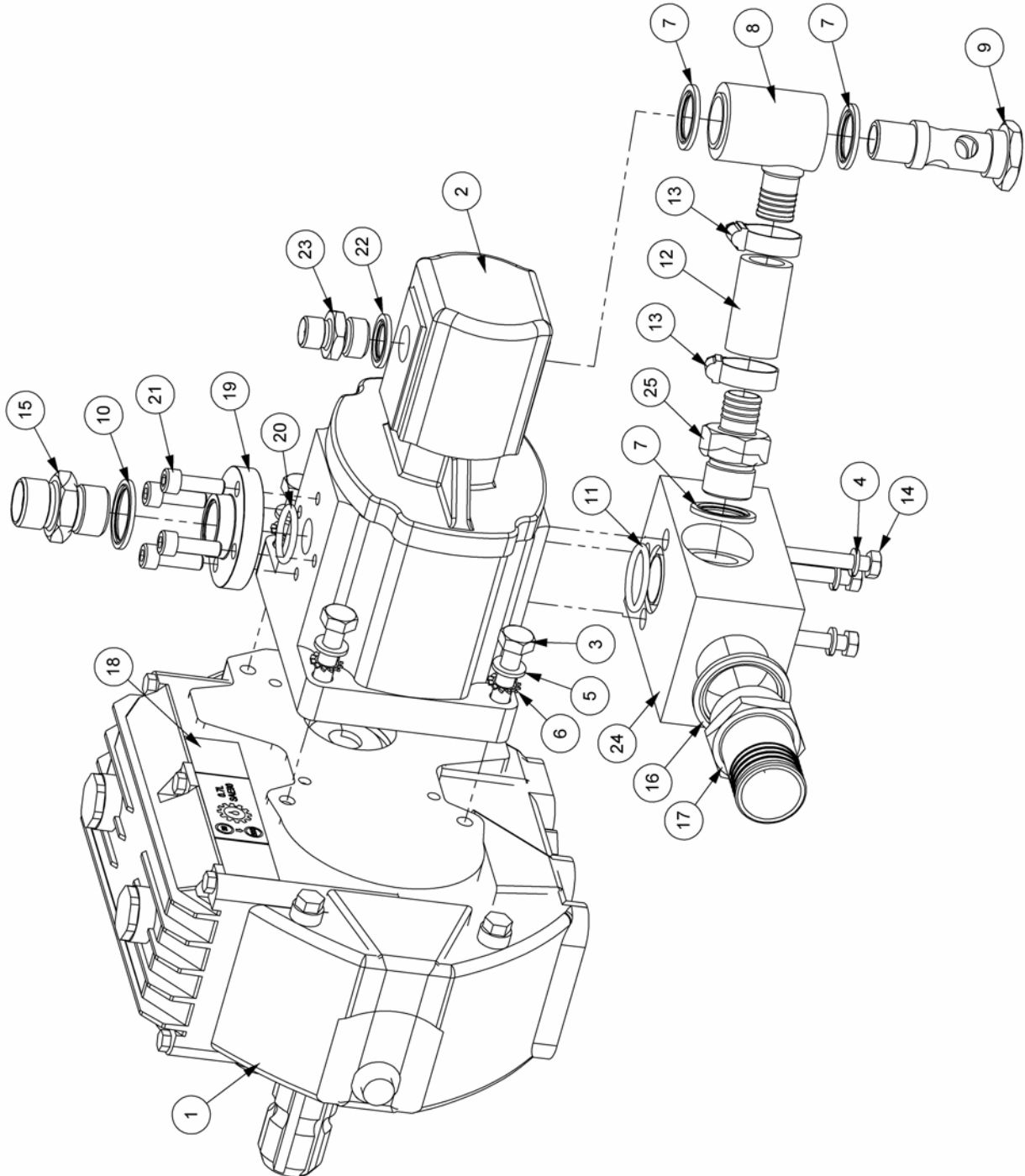


**Modules:**

7447562 – L/H Build

8013505 – R/H Build

*Illustrated in Right Hand Build*

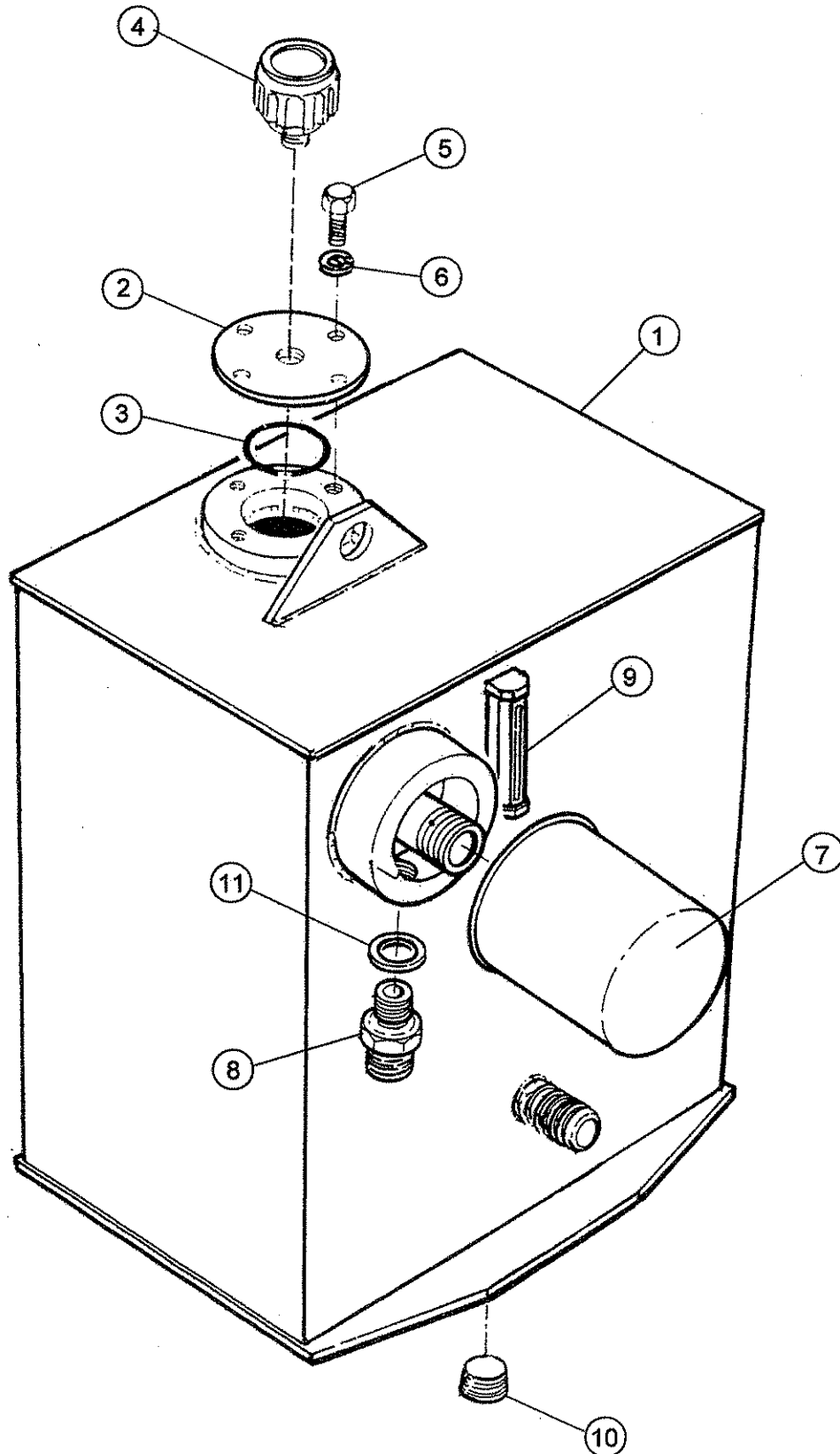


**PUMP & GEARBOX ASSEMBLY**

REF.	QTY.	PART No.	DESCRIPTION
		<b>7447562</b>	<b>TI PUMP &amp; GEARBOX ASSEMBLY - L/H Build</b>
		<b>8013505</b>	<b>TI PUMP &amp; GEARBOX ASSEMBLY - R/H Build</b>
1	1	21931.01	CAST IRON GEARBOX 1:4.25 13T SPLINE
2	1	8201466	TANDEM GEAR PUMP
3	4	9313085	SETSCREW
4	3	9100204	SPRING WASHER
5	4	9100205	SPRING WASHER
6	4	9100405	EXTERNAL SHAKEPROOF WASHER
7	3	8650106	BONDED SEAL
8	1	8013096	BANJO ASSEMBLY
9	1	8013095	BANJO BOLT
10	1	8650107	BONDED SEAL
11	1	8600122	O RING
12	1	8501213	HOSE - 3/4" BORE x 50mm
13	2	0904103	HOSE CLIP
14	3	9213144	BOLT
15	1	8581136	ADAPTOR
16	1	8650109	BONDED SEAL
17	1	8581260	ADAPTOR
18	1	1290092	GEARBOX DECAL
19	1	8013088	PUMP FLANGE
20	1	8600119	O RING
21	4	9343054	CAPSCREW
22	1	8650104	BONDED SEAL
23	1	6000112	ADAPTOR
24	1	7192371	SUCTION BLOCK - L/H Build
	1	7192372	SUCTION BLOCK - R/H Build
25	1	8581301	ADAPTOR

# HYDRAULIC TANK ASSEMBLY

Module:  
7447500



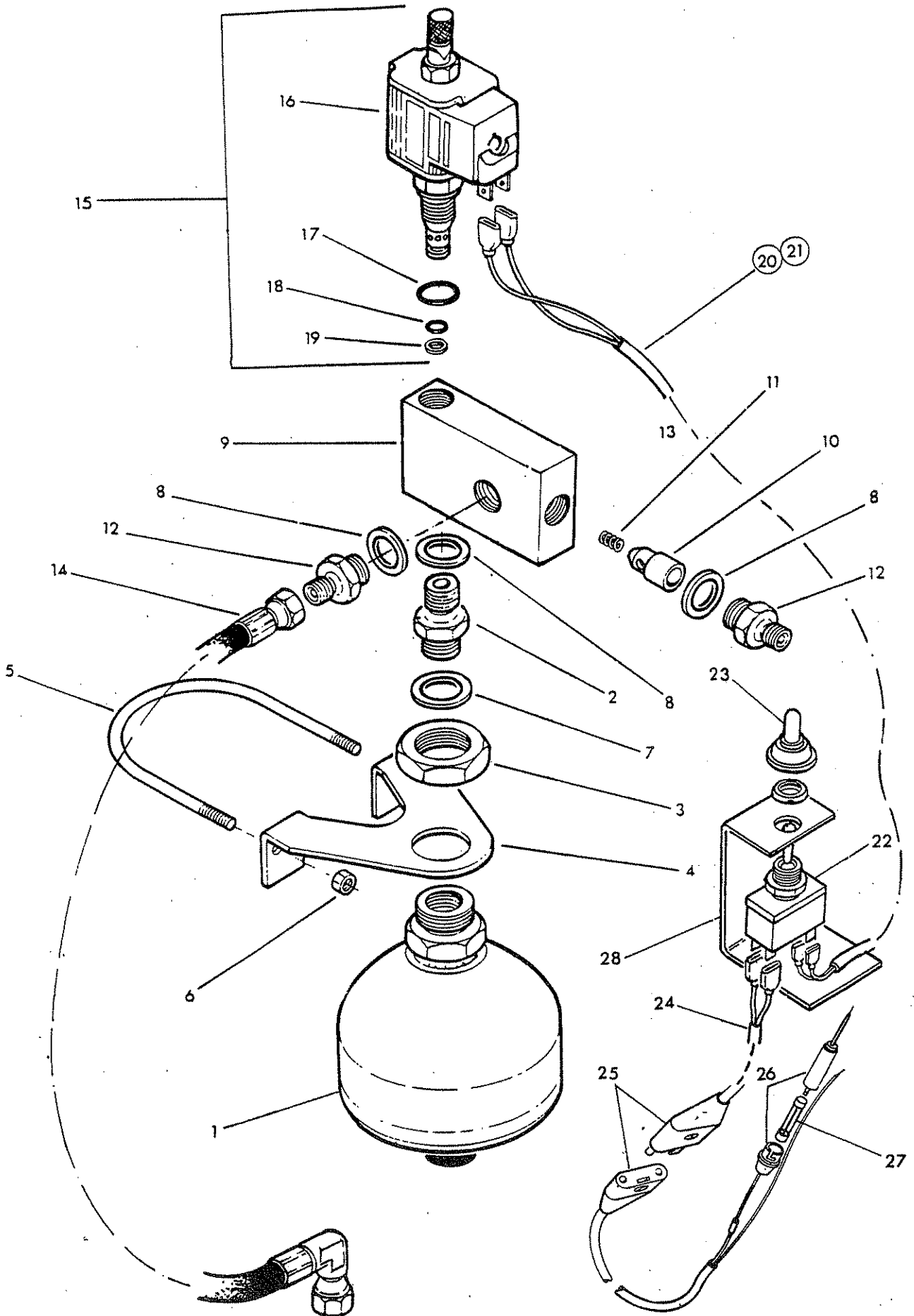
**HYDRAULIC TANK ASSEMBLY**

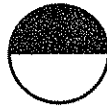
REF.	QTY.	PART No.	DESCRIPTION
		<b>7447500</b>	<b>HYDRAULIC TANK ASSEMBLY</b>
1	1	7198269	Tank
2	1	7192063	Cover
3	1	8600151	O Ring
4	1	8401063	Tank Breather
5	4	9313054	Setscrew
6	4	9100204	Spring Washer
7	1	8401041	Filter Element
8	1	8002086	Adaptor
9	1	8401048	Level Guage
10	1	8581203	Plug
11	1	8650106	Bonded Seal

LIFT FLOAT KIT



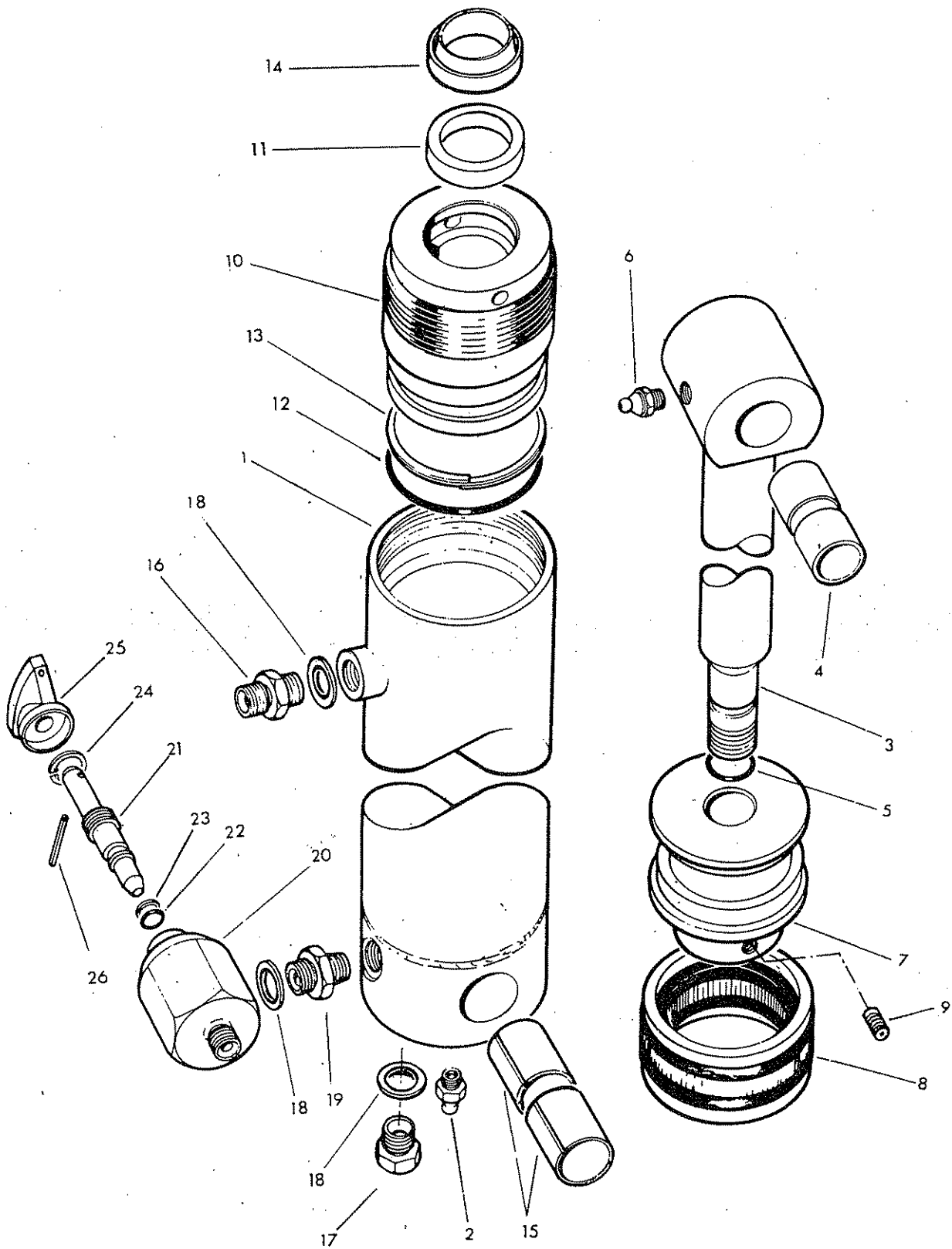
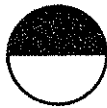
McDONNELL





Ref.	Part No.	Qty.	Description
	81 26 295		LIFT FLOAT KIT - Quick response
1	81 26 042	1	Accumulator
2	G241 0380	1	Adaptor
3	81 26 035	1	Bulkhead nut
4	81 26 286	1	Bracket
5	81 26 031	1	U bolt
6	91 43 004	2	Self locking nut
7	86 50 322	1	Bonded seal
8	86 50 103	3	Bonded seal
9	81 26 287	1	Control block
10	81 26 037	1	Response piston
11	81 16 011	1	Spring
12	85 81 115	2	Adaptor
13	12 90 061	1	Operating sticker
14	85 35 012	1	Hose 1/4" BSP x 12" long SF-90F
15	81 30 183	1	Poppet valve including:-
16	81 30 184	1	Coil
17	87 00 017	1	'O' ring
18	87 00 511	1	'O' ring
19	87 09 511	1	Anti extrusion ring
20	84 02 194	1	Cable assy incl:
21	84 02 194/1	1	Cable
22	84 02 182	1	Switch
23	84 02 024	1	Switch cover
24	84 02 284	1	Supply harness incl.
25	84 02 062	1	Plug/Socket
26	84 02 114	1	Fuse holder
27	84 02 037	1	Fuse 10 amp
28	71 92 081	1	Switch mounting bracket



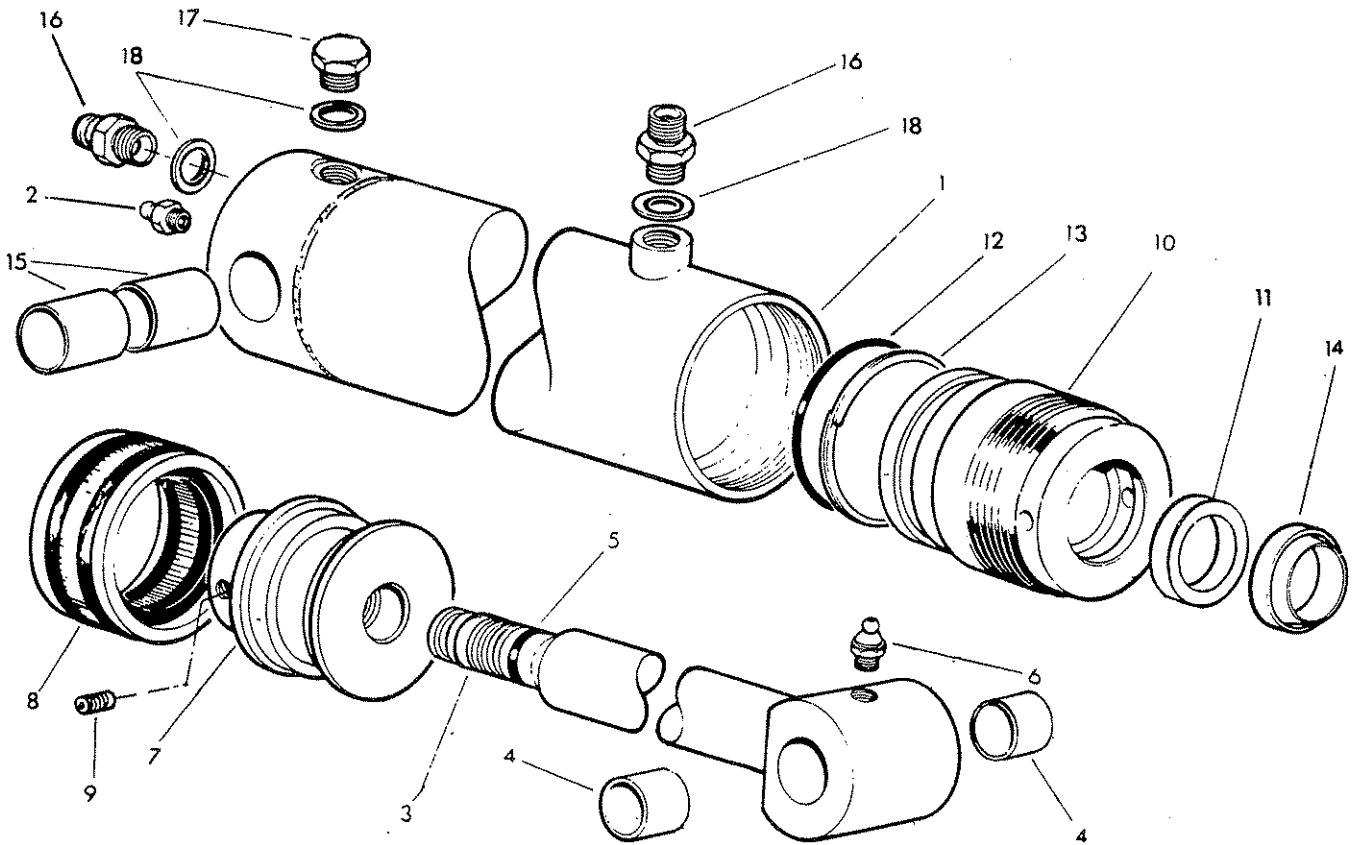




Ref.	Part No.	Qty.	Description
	<b>71 98 375</b>		<b>LIFT RAM ASSEMBLY</b>
1	71 98 378	1	Ram cylinder
2	09 01 121	1	Greaser
3	71 98 091	1	Piston rod
4	60 12 032	2	Bush
5	86 00 119	1	'O' ring
6	09 01 121	1	Greaser
7	71 35 004	1	Piston
8	86 38 740	1	Piston seal
9	93 63 023	1	Grub screw
10	71 35 282	1	Gland housing
11	86 29 164	1	Gland seal
12	87 00 740	1	'O' ring
13	87 09 740	1	Anti extrusion ring
14	86 29 147	1	Wiper
15	71 01 134	2	Bush - ram base
16	85 81 115	1	Union
17	80 03 001	1	Plug
18	86 50 103	3	Bonded seal
19	80 05 007	1	Taper adaptor
	71 35 005	1	Lock tap assembly compr:
20	71 35 284	1	Tap body
21	71 35 006	1	Tap spindle
22	86 00 107	1	'O' ring
23	86 09 107	1	Anti extrusion ring
24	04 16 110	1	Internal circlip
25	81 08 006	1	Tap knob
26	04 20 820	1	Spring dowel

**86 99 187****SEAL KIT**

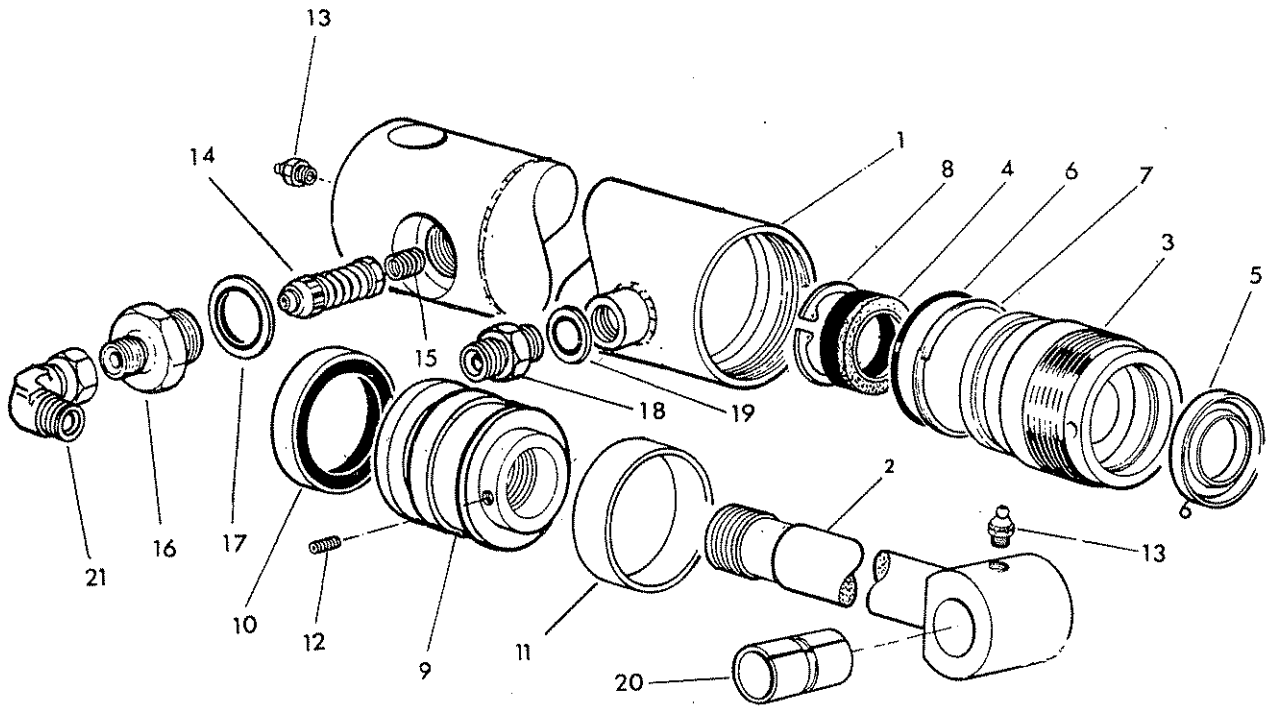
Assembly note Fully tighten item 9 and centre pop edge of hole to retain.



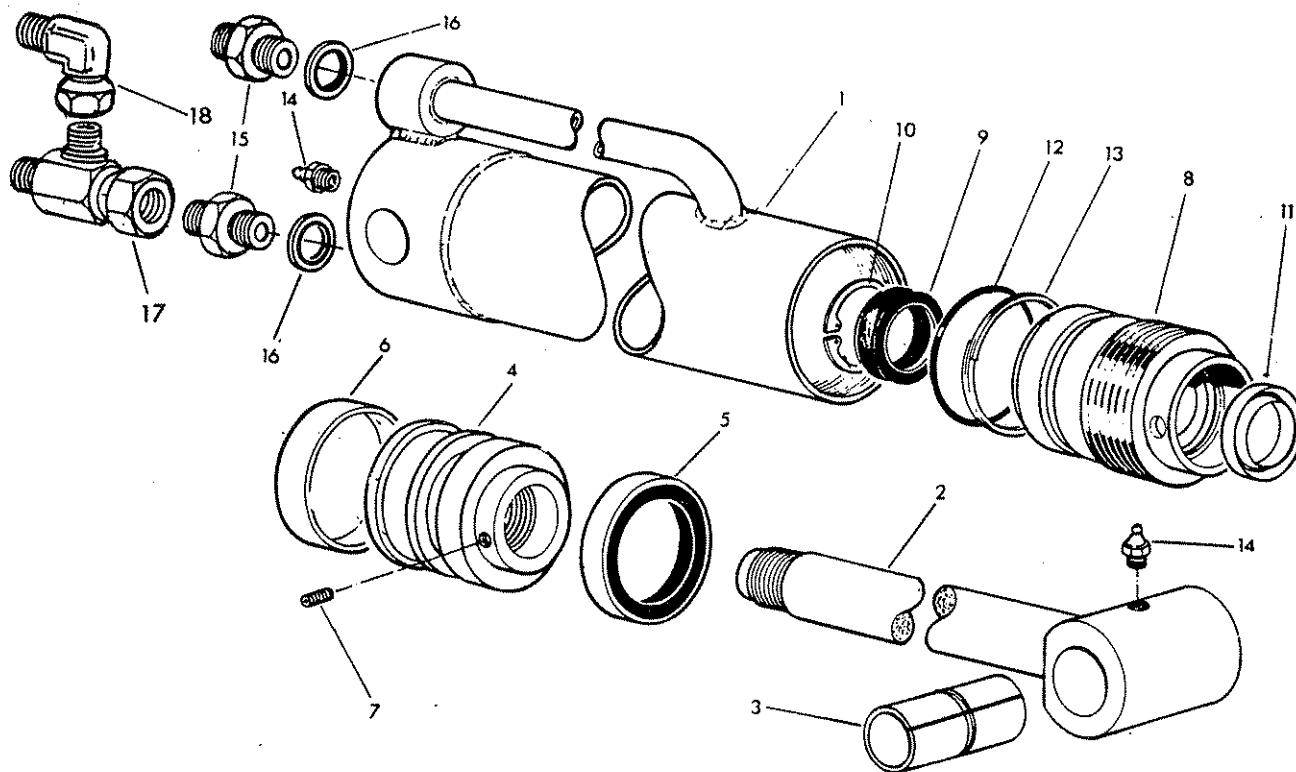
Ref.	Part No.	Qty.	Description
	<b>71 98 376</b>		<b>REACH RAM ASSEMBLY</b>
1	71 98 378	1	Ram cylinder
2	09 01 121	1	Greaser
3	71 98 091	1	Piston rod
4	60 12 032	2	Bush
5	86 00 119	1	'O' ring
6	09 01 121	1	Greaser
7	71 35 004	1	Piston c/w seal and grub screw
8	86 38 740	1	Piston seal
9	93 63 023	1	Grub screw
10	71 35 282	1	Gland housing
11	86 29 164	1	Gland seal
12	87 00 740	1	'O' ring
13	87 09 740	1	Anti extrusion ring
14	86 29 147	1	Wiper
15	71 01 134	2	Bush - ram base
16	85 81 115	2	Union
17	80 03 001	1	Plug
18	86 50 103	3	Bonded seal

**86 99 187 SEAL KIT**

**Assembly note** Fully tighten item 9 and centre pop edge of hole to retain.

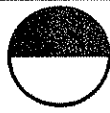


Ref.	Part No.	Qty.	Description
	<b>71-98-357</b>		<b>BREAKAWAY/PARK RAM ASSY</b>
1	71-98-358	1	Ram barrel
2	71-98-361	1	Rod
3	71-35-291	1	Gland housing
4	86-29-148	1	Gland seal
5	86-29-149	1	Rod wiper seal
6	86-00-302	1	'O' ring
7	86-09-302	1	Anti extrusion ring
8	04-16-240	1	Internal circlip
9	75-60-095	1	Piston
10	86-29-187	1	Piston seal
11	86-29-188	1	Bearing ring
12	93-63-023	1	Grub screw
13	09-01-121	2	Greaser straight
14	81-30-189	1	Relief valve - 40 bar
15	81-16-011	1	Spring
16	81-30-083	1	Relief valve housing
17	86-50-104	1	Bonded seal
18	85-81-169	1	Union
19	86-50-102	1	Bonded seal
20	10-90-005	1	Bush
21	85-81-190	1	Swivel elbow



Ref.	Part No.	Qty.	Description
			<b>75-60-344 ANGLING RAM ASSEMBLY</b>
1	71-35-292	1	Cylinder
2	71-35-009	1	Rod
3	71-05-050	1	Bush
4	75-60-095	1	Piston
5	86-29-187	1	Piston seal
6	86-29-188	1	Bearing ring
7*	93-63-023	1	Grub screw socket head
8	71-35-291	1	Gland housing
9	86-29-148	1	Gland seal
10	04-16-240	1	Internal circlip
11	86-29-149	1	Wiper seal
12	86-00-302	1	'O' ring
13	86-09-302	1	Anti extrusion ring
14	09-01-121	2	Greaser
15	85-81-169	2	Union
16	86-50-102	2	Bonded seal
17	85-81-254	1	Tee piece
18	85-81-190	1	Swivel elbow
			<b>86-99-188 SEAL KIT</b>

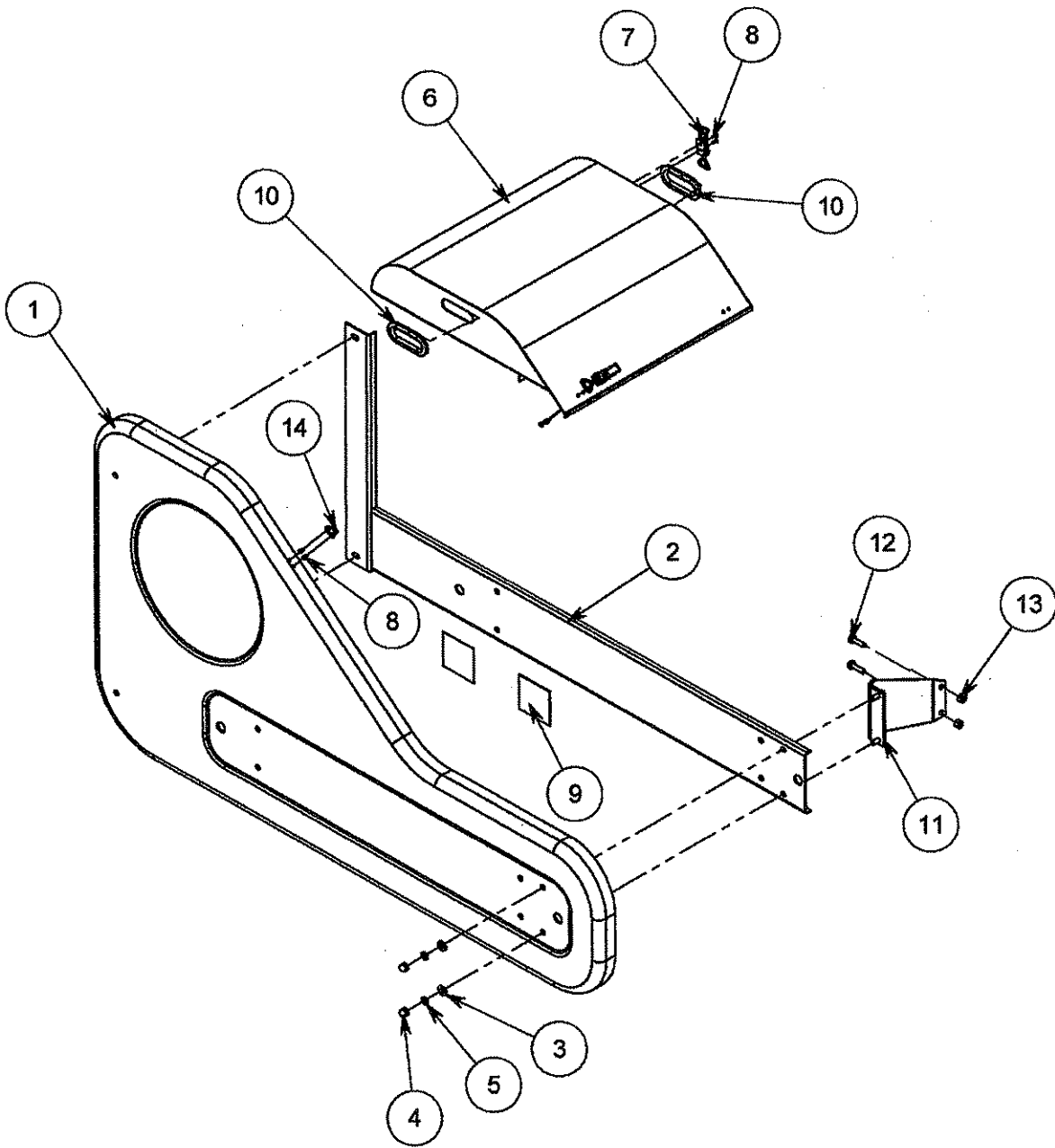
\* Assembly note  
Tighten fully and centre punch edge of hole to secure.



**McCONNEL**

# REAR COVERS ASSEMBLY

Module:  
7447542



**REAR COVERS ASSEMBLY**

REF.	QTY.	PART No.	DESCRIPTION
		<b>7447542</b>	<b>REAR COVERS ASSEMBLY</b>
1	1	45256.02	Rear Cover
2	1	45537.02	Cover Mount - R/H
3	2	9100105	Flat Washer
4	2	9100025	Dome Nut
5	2	9100205	Spring Washer
6	1	45252.02	Valve Cover
7	2	43449.02	Overcentre Fastener
8	6	1069088	Pop Rivet
9	2	45831.01	Self-Adhesive Pad
10	2	43468.03	Edging Strip
11	1	45873.02	Support Bracket
12	2	9313075	Setscrew
13	2	9143005	Self-Locking Nut
14	1	46007.01	Hook - Overcentre Fastener

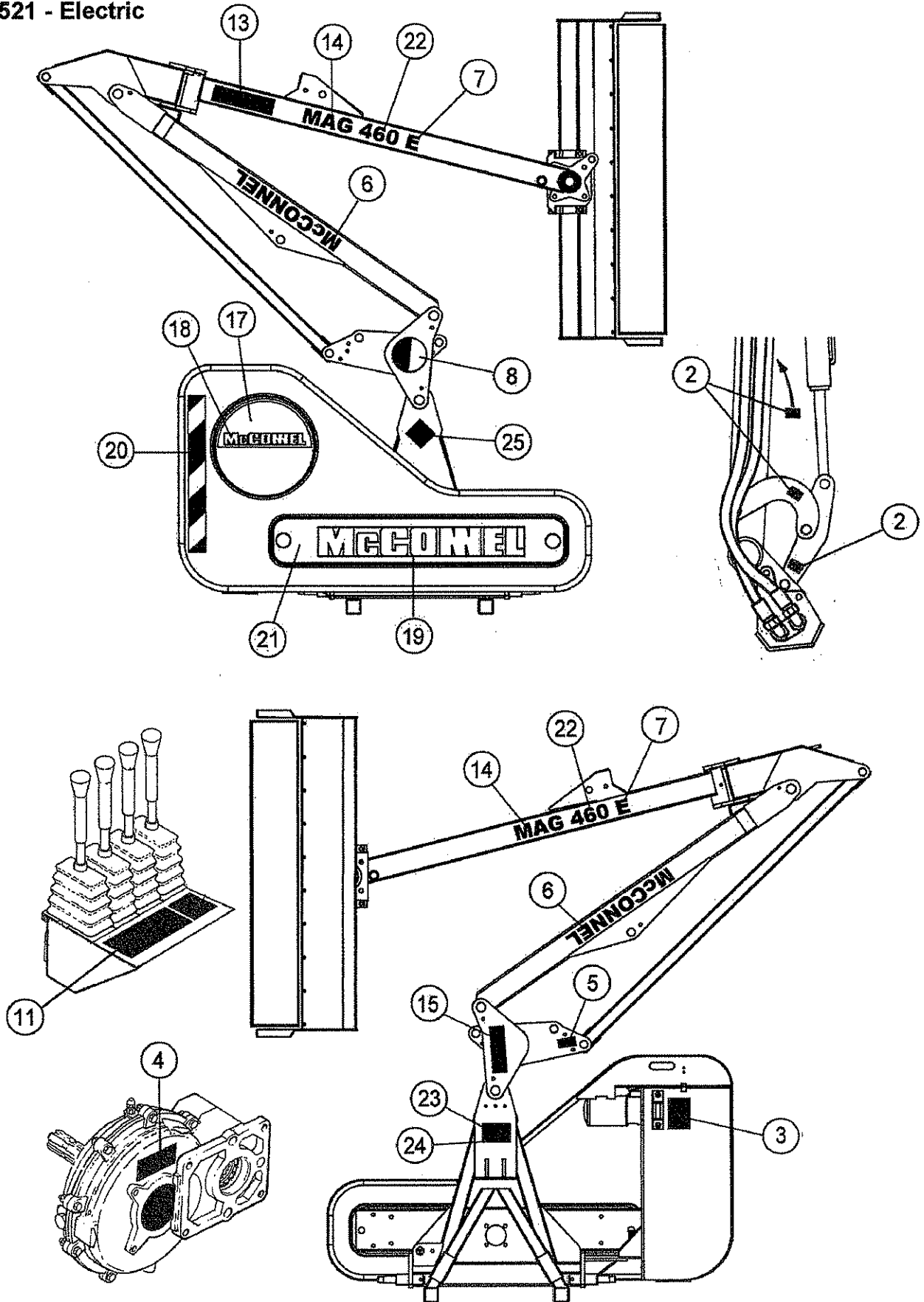


# MACHINE DECALS

Modules:

7446520 - Cable

7446521 - Electric





# MACHINE DECALS

REF.	QTY.	PART No.	DESCRIPTION
		7446520	DECALS KIT - MAG 460 CABLE MODELS
		7446521	DECALS KIT - MAG 460 ELECTRIC MODELS
1	1	1 00756494	Decal - Driveline Hazard
2	6	6 02962764	Decal - Pinch Point
3	2	2 1290023	Decal - Oil Filter
4	1	1 1290054	Decal - Gearbox Oil Capacity
5	1	1 1290074	Decal - Sling Here
6	2	2 1290255	Decal - McConnel (Black)
7	n/a	3 1290071	Decal - E (Black)
8	1	1 1290296	Decal - Logo
9	2	2 1290341	Decal - Flail
10	1	1 1290352	Decal - Cab
11	1	1 1290368	Decal - Controls
12	1	1 1290391	Decal - Safety
13	1	1 1290403	Decal - Breakaway Warning
14	2	2 1290411	Decal - MAG (Black)
15	1	1 7135295	Decal - Tighten Check Chains
16	1	1 1290509	Decal - 45HP
17	1	1 1290524	Decal - Logo Roundel
18	1	1 1290525	Decal - McConnel (Small)
19	1	1 1290527	Decal - McConnel (Large)
20	1	1 1290528	Decal - Warning Chevron - L/H build machines
	1	1 1290529	Decal - Warning Chevron - R/H build machines
21	1	1 1290539	Decal - backing Panel (Yellow)
22	3	3 1290469	Decal - 460 (Black)
23	1	1 1335246	Serial No. Plate
24	4	4 7103230	Pop Rivet
25	1	1 7105130	Decal - Read Instruction Book First
26	n/a	1 1290080	Decal - Power - Joystick machines only
27	n/a	1 1290451	Decal - Controls - Joystick machines only
28	n/a	1 1290458	Decal - Controls - Switchbox machines only
29	n/a	1 1290082	Decal - Work/Park
30	n/a	1 7109143	Decal - Solenoid Connections
31	n/a	1 8402121	Decal - Electrical Connections





## ***PAYEN IMPORT***

*Zae du Cèdre Briard,  
77320 BETON BAZOCHES,  
FRANCAIS  
Tél: 01 60 58 53 36  
Fax: 01 64 01 05 31*



## ***McCONNEL LIMITED***

*Temeside Works, Ludlow,  
Shropshire SY8 1JL. England.  
Tel: 01584 873131  
Fax: 01584 876463  
[www.mcconnel.com](http://www.mcconnel.com)*