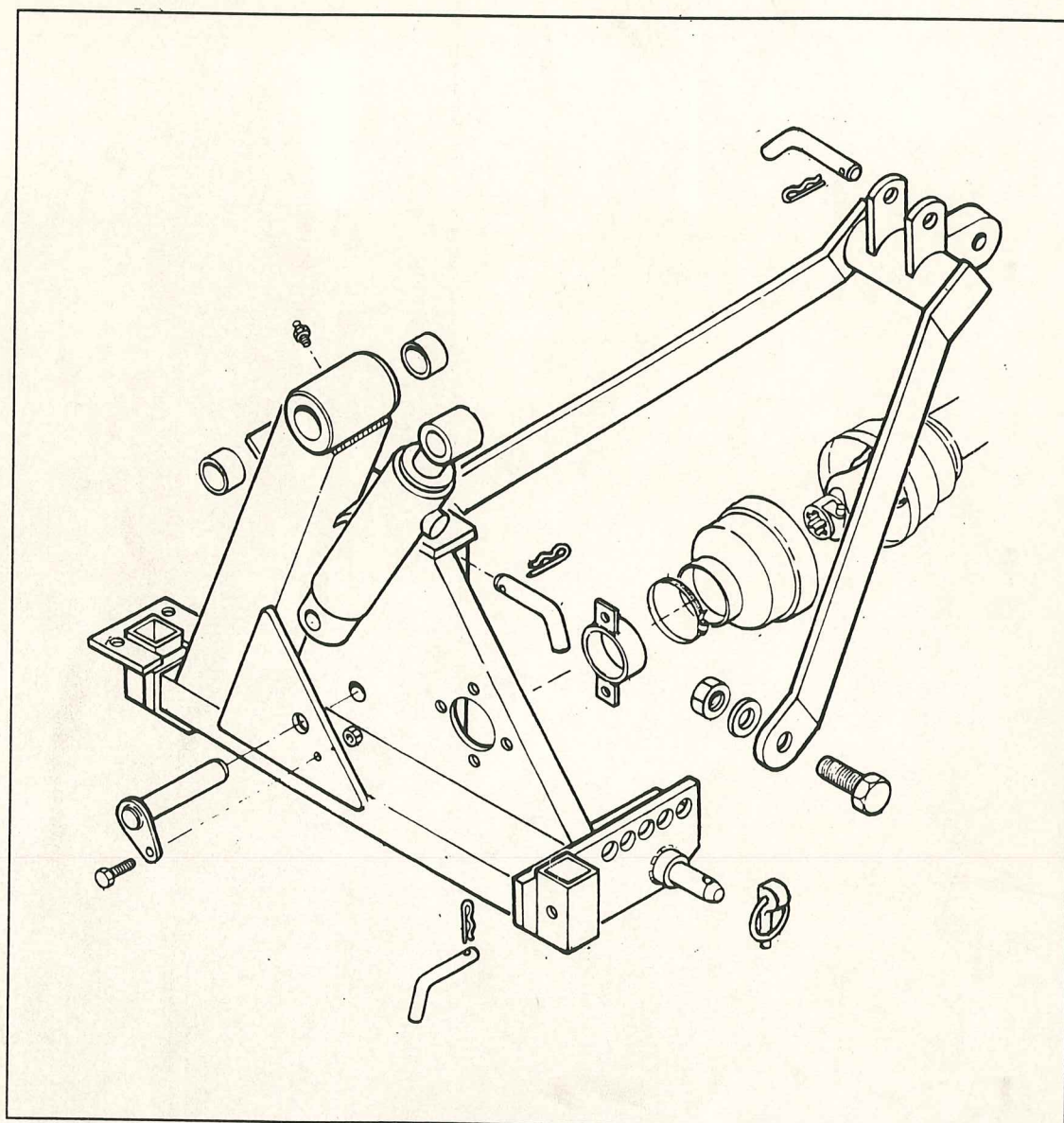


MAG 310

Pièces détachées



MANUEL DE PIÈCES DÉTACHÉES

POUR AVOIR LES MEILLEURES PERFORMANCES...

**UTILISER EXCLUSIVEMENT LES PIÈCES DÉTACHÉES
McCONNEL**

Pour être certains d'avoir les dernières améliorations apportées, acheter vos pièces de remplacement chez le fabricant d'origine de votre équipement McConnell Ltd, chez votre concessionnaire ou stockiste local.

Donner toujours votre type et numéro de série de machine en même temps que le numéro de la pièce.

Des améliorations de conception peuvent avoir modifié certaines pièces listées dans ce manuel - La pièce la plus récente vous sera toujours fournie si elle est interchangeable avec la plus ancienne.

LIST OF CONTENTS

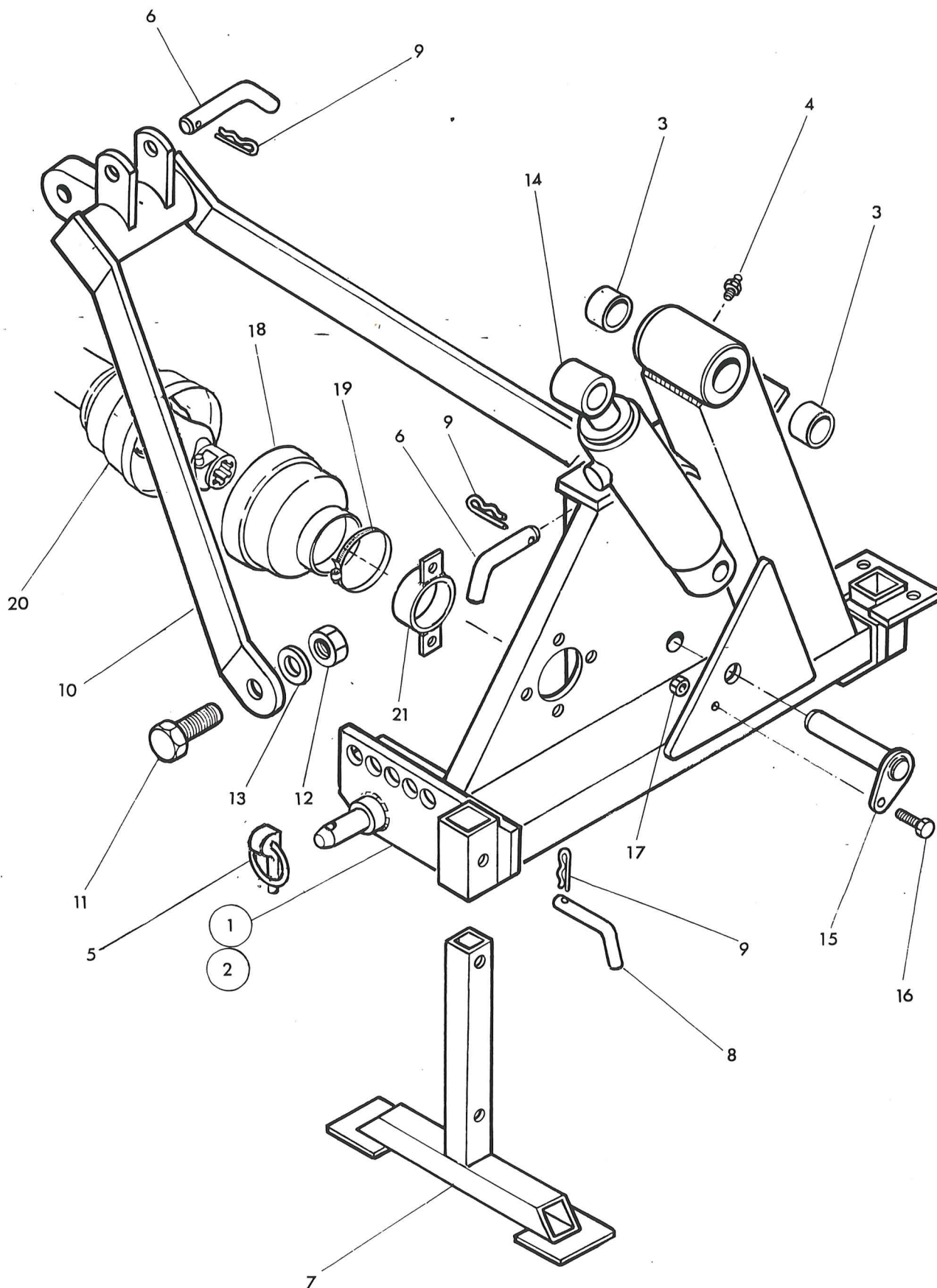
MAIN FRAME ETC.....	Page 1
MAIN ARM & ROCKER.....	Page 3
STANDARD DIPPER ARM.....	Page 5
CONTROL MOUNTING ASSEMBLY.....	Page 7
CAB GUARD KIT.....	Page 8
FLAIL HEAD CASING.....	Page 9
ROTORS, FLAILS & ROLLER.....	Page 11
CUTTERBAR DRIVE.....	Page 13
CUTTERBAR ASSEMBLIES.....	Page 15
HOSE INSTALLATION Si machines.....	Page 17
HOSE INSTALLATION Ti machines.....	Page 19
CONTROL VALVE.....	Page 21
ROTOR CONTROL VALVE (Ti only).....	Page 23
CONTROL UNIT AND CABLES.....	Page 25
GEARBOX/PUMP ASSY (Si only).....	Page 27
GEARBOX/PUMP ASSY (Ti only).....	Page 29
GEARBOX.....	Page 31
HYDRAULIC TANK ASSY.....	Page 33
LIFT FLOAT KIT - Optional extra.....	Page 35
LIFT RAM.....	Page 37
REACH RAM.....	Page 38
BREAKAWAY RAM.....	Page 39
ANGLING RAM.....	Page 40
DECALS.....	Page 41

NOTES PERSONELLES

FRAME & STABILISER



McCONEL

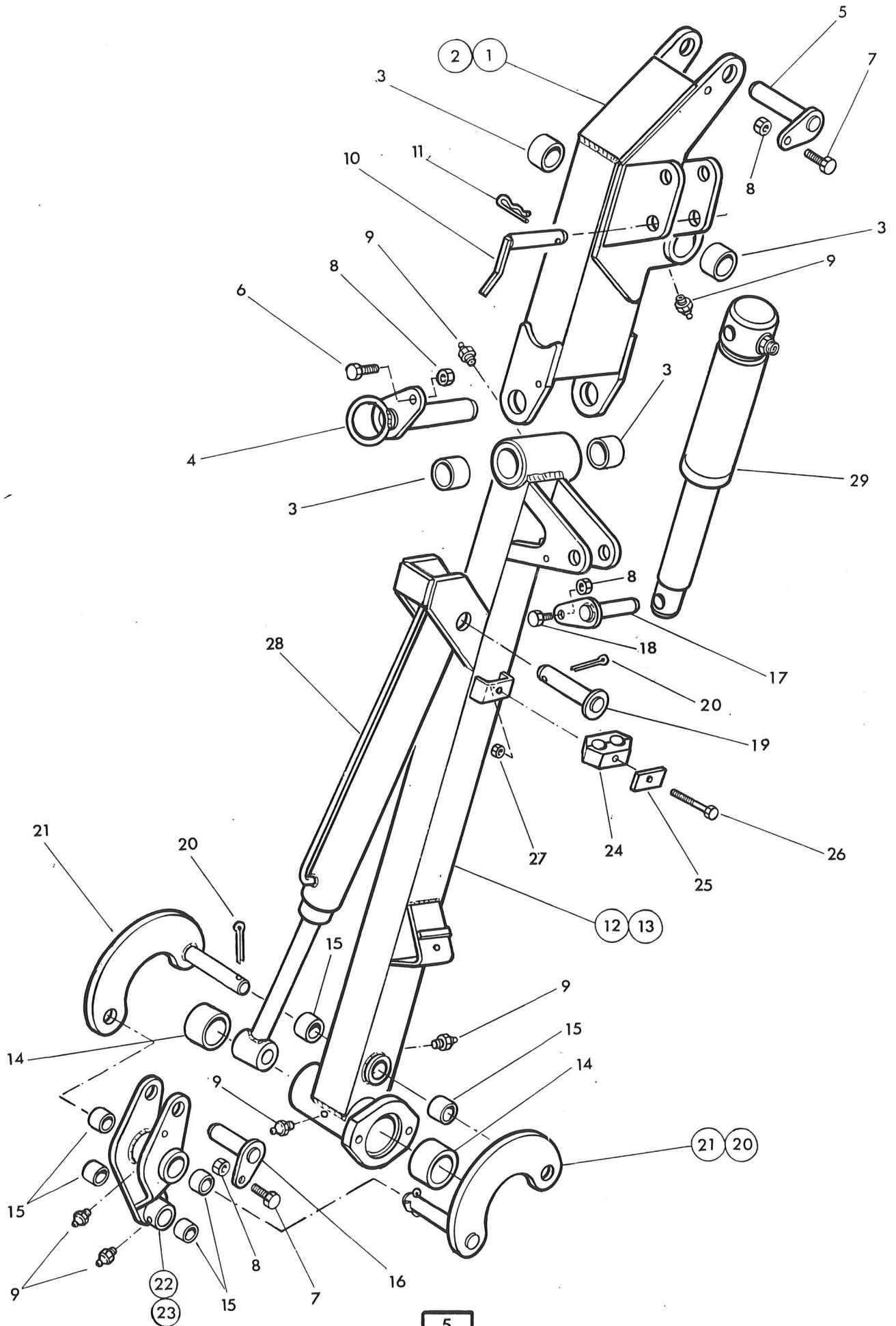




Ref.	Part No.	Qty	Description
MAIN FRAME AND STABILISER			
1	41197.01	1	Main frame L.Hand
2	41197.02	1	Main frame R.Hand - not illus.
3	71 01 134	2	Bush
4	09 01 121	1	Greaser
5	04 31 217	1	Linch pin
6	71 92 026	2	Top link pin
7	41203.01	2	Stand leg
8	10 90 051	2	Leg pin
9	04 31 105	4	Spring cotter
10	41205.01	1	Stabiliser
11	91 13 118	2	Setscrew
12	91 13 008	2	Self locking nut
13	91 00 208	2	Spring washer
14	41014.03	1	Lift ram assy.
15	41267.01	1	Pivot pin - lift ram base
16	93 13 065	1	Setscrew
17	91 43 005	1	Self locking nut
18	71.11.038	1	Shaft guard
19	09 04 114	1	Hose clip
20	71 14 289	1	P.T.O. shaft
21	71 91 075	1	Guard mounting collar



Ref. Part No.	Qty	Description	
MAIN ARM AND ROCKER			
1	41198.01	1	Rocker
2	41268.01	1	Pin-rocker and main arm
3	41267.02	1	Pin-link and reach ram rod
4	41267.01	1	Pin - lift ram rod
5	93 13 055	3	Setscrew
6	93 13 065	2	Setscrew
7	91 43 005	6	Self locking nut
8	91 13 045	1	Setscrew
9	91 00 205	1	Spring washer
10	41199.01	1	Main arm L.Hand
11	41199.02	1	Main arm R.Hand - not illus.
12	71 01 134	2	Bush
13	41200.01	1	Tension link
14	71 05 050	2	Bush
15	09 01 121	3	Greaser
16	41268.01	1	Pivot pin - dipper
17	41267.04	1	Pivot pin - reach ram base
18	93 13 075	1	Setscrew
19	06.430.09	2	Hose clamp
20	06.418.03	2	Clamp plate
21	92 13 134	2	Bolt
22	91 43 004	2	Self locking nut
23	13 35 246	1	Serial No.Plate
24	71 03 230	4	Pop rivet
25	41015.03	1	Reach ram assembly



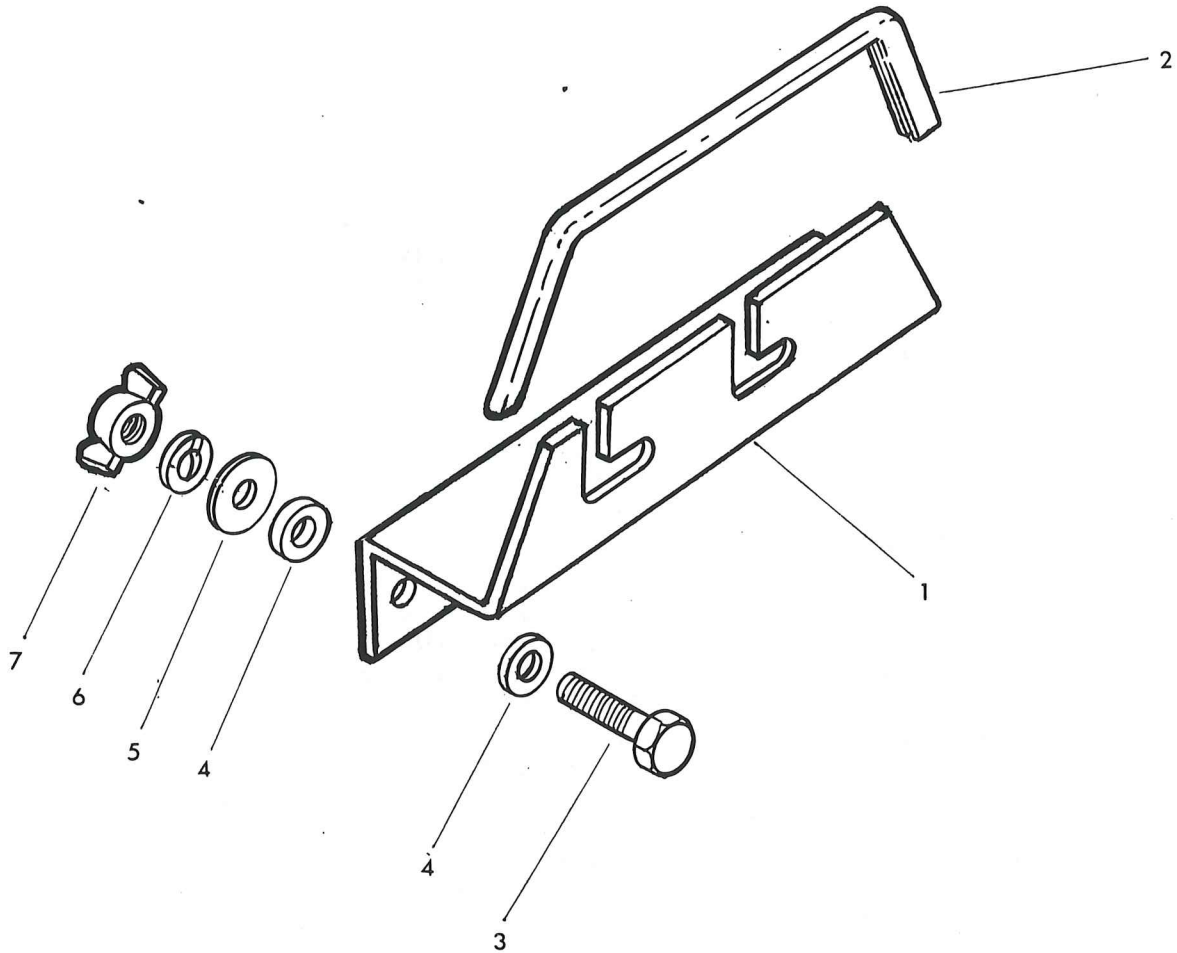


Ref. Part No.	Qty	Description
DIPPER ARM AND ANGLING		
1	41201.01	1 Dipper upper - L.Hand
2	41201.02	1 Dipper upper - R.Hand - not illus.
3	71 01 134	4 Bush
4	41269.01	1 Pivot pin - dipper lower
5	41267.03	1 Pivot pin - tension link
6	93 13 075	1 Setscrew
7	93 13 055	2 Setscrew
8	91 43 005	4 Self locking nut
9	09 01 121	6 Greaser
10	71 91 036	1 Pivot pin - breakaway ram base
11	04 31 105	1 Spring cotter
12	41202.01	1 Dipper lower - L.Hand
13	41202.02	1 Dipper lower - R.Hand - not illus.
14	10 90 001	2 Bush
15	72 14 060	6 Bush
16	41270.01	1 Pivot pin - angle ram rod
17	71 91 037	1 Pivot pin - breakaway ram rod
18	93 13 065	1 Setscrew
19	71 91 041	1 Pivot pin angle ram base
20	95 01 406	3 Split pin
21	41206.01	2 Radius arm
22	41207.01	1 Slave link - L.Hand
23	41207.02	1 Slave link - R.Hand - not illus.
24	06.430.09	2 Hose clamp
25	06.418.03	2 Clamp plate
26	92 13 134	2 Bolt
27	91 43 004	2 Self locking nut
28	71 91 072	1 Angling ram assy
29	41322.02	1 Breakaway ram assy

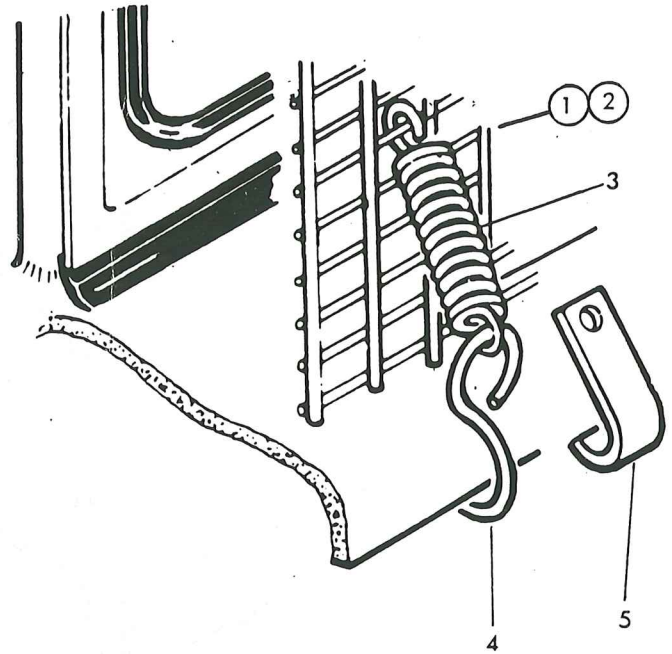
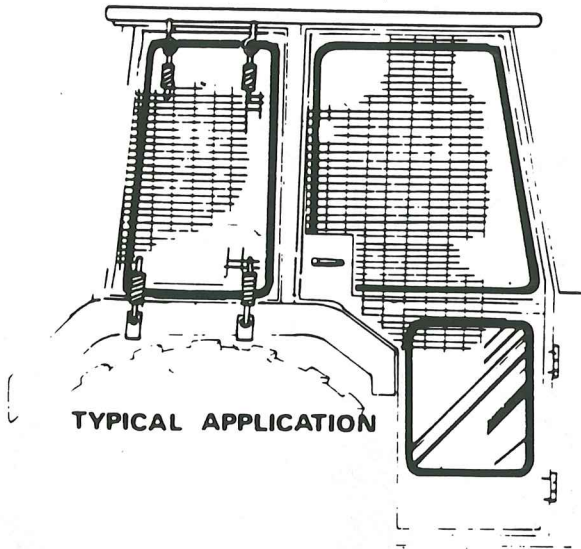
**CONTROL MOUNTING
ASSY**



McCORMEL



Ref	Part No	Qty	Description
CONTROL UNIT MOUNTING ASSY			
1	03.583.01	1	Bracket
2	03.231.02	1	Rubber edge strip
3	93 13 094	2	Setscrew
4	03.152.01	4	Rubber washer
5	91 00 104	2	Plain washer
6	91 00 204	2	Spring washer
7	91 93 004		Wingnut

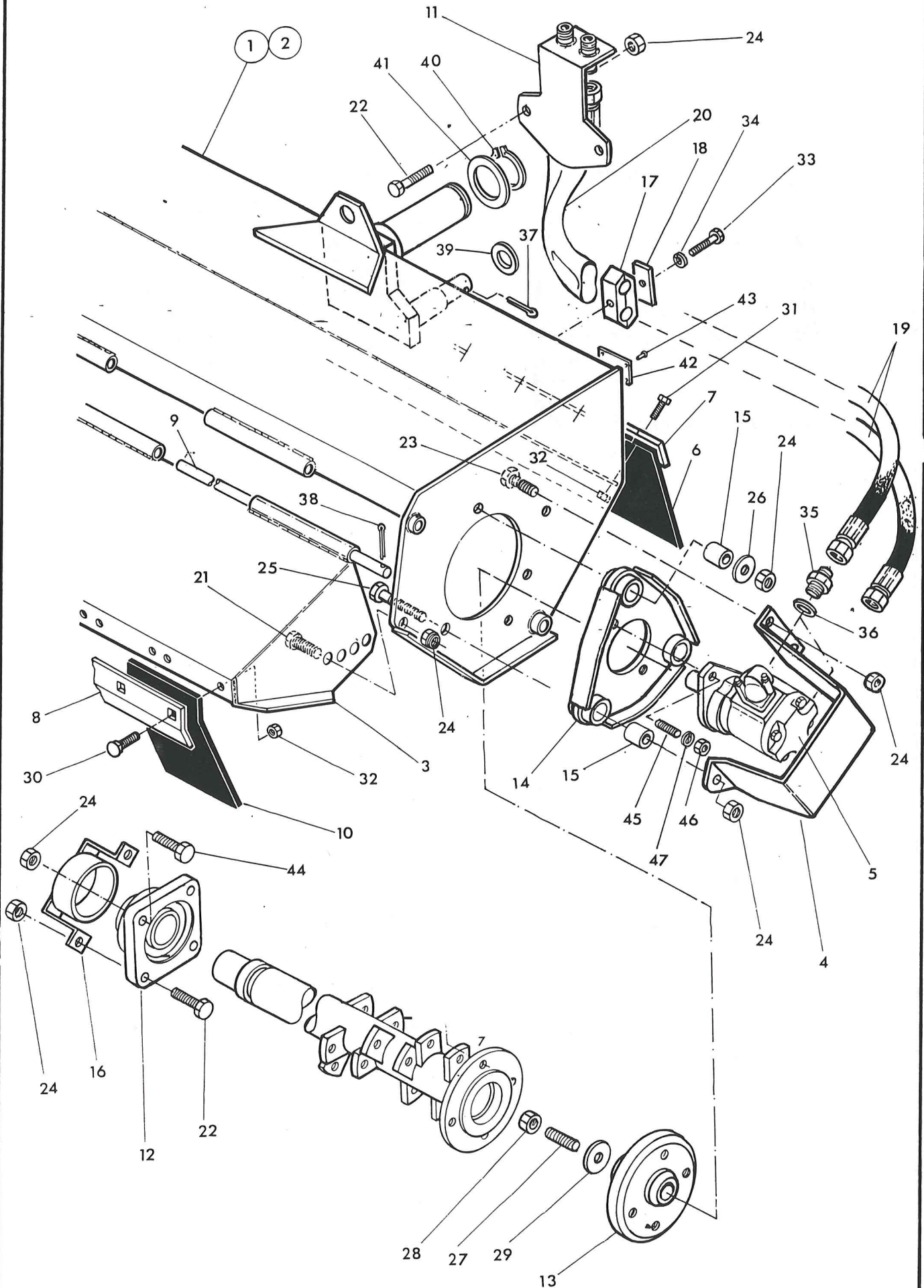


Ref. Part No.	Qty.	Description
73-13-324		CAB GUARD KIT
1	1	Guard panel - large
2	1	Guard panel - small
3	12	Spring
4	6	Hook
5	6	Hook

FLAIL HEAD CASING



MCDONEL





Ref.	Part No.	Qty	Description
FLAIL HEAD CASING			
1	41282.01	1	Casing - L.Hand
2	41282.02	1	Casing - R.Hand - not illus.
3	41283.01	1	Front hood
4	41288.01	1	Motor cover
5	08.785.05	1	Hydraulic motor
6	41289.01	1	Rear flap
7	41290.01	1	Clamp strip - rear
8	41291.01	1	Clamp strip - front
9	41293.01	1	Hood pivot bar
10	41296.01	6	Front flap
11	41297.01	1	Hose bracket
12	03.008.01	1	Flange bearing
13	03.833.01	1	Drive plate
14	09.132.01	1	Motor mounting plate
15	03.871.01	3	Rubber bush
16	06.037.01	1	Bearing cover
17	06.430.09	1	Hose clamp
18	06.418.03	1	Clamp plate
19	85 01 247	2	Hose 5/8 BSPX43 long FS-FS
20	09.868.05	1	Hose sleeve
21	93 13 046	2	Setscrew
22	93 13 086	4	Setscrew
23	93 13 056	2	Setscrew
24	91 43 006	13	Self locking nut
25	92 13 136	3	Bolt
26	02.824.01	2	Washer
27	03.960.02	1	Stud
28	01 41 003	1	Self locking nut
29	03.959.02	1	Plain washer - special
30	92 93 054	12	Cup screw
31	93 13 034	8	Setscrew
32	91 43 004	20	Self locking nut
33	92 13 094	1	Bolt
34	91 00 204	1	Spring washer
35	85 81 270	2	Adaptor
36	86 50 106	2	Bonded seal
37	95 01 406	1	Split pin
38	95 01 325	1	Split pin
39	01 00 109	1	Plain washer
40	04 06 247	1	External circlip
41	10 90 037	1	Retaining washer
42	13 35 246	1	Serial No. Plate
43	71 03 230	4	Pop rivet
44	93 13 076	2	Setscrew
45	04.282.56	2	Stud
46	91.13.005	2	Plain nut
47	91.00.205	2	Spring washer

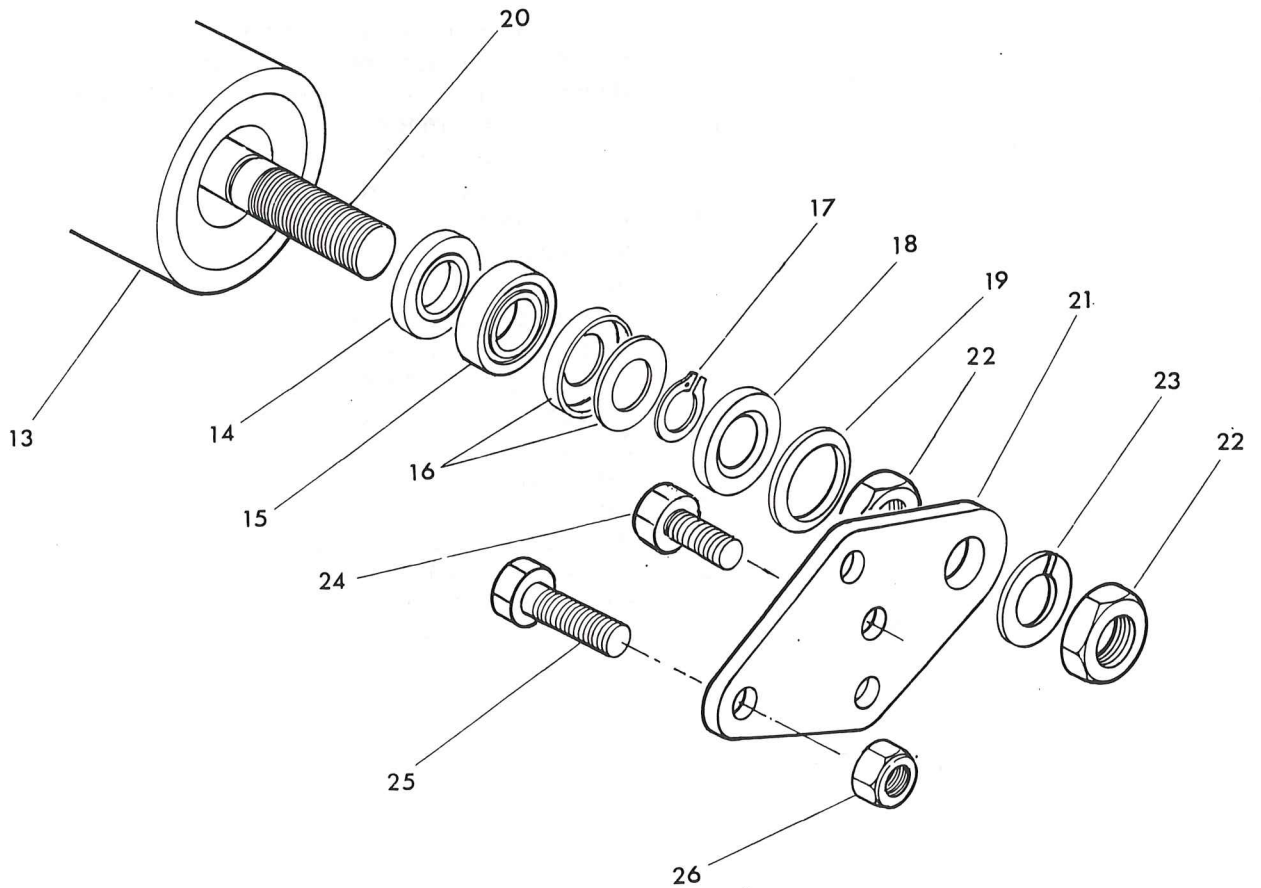
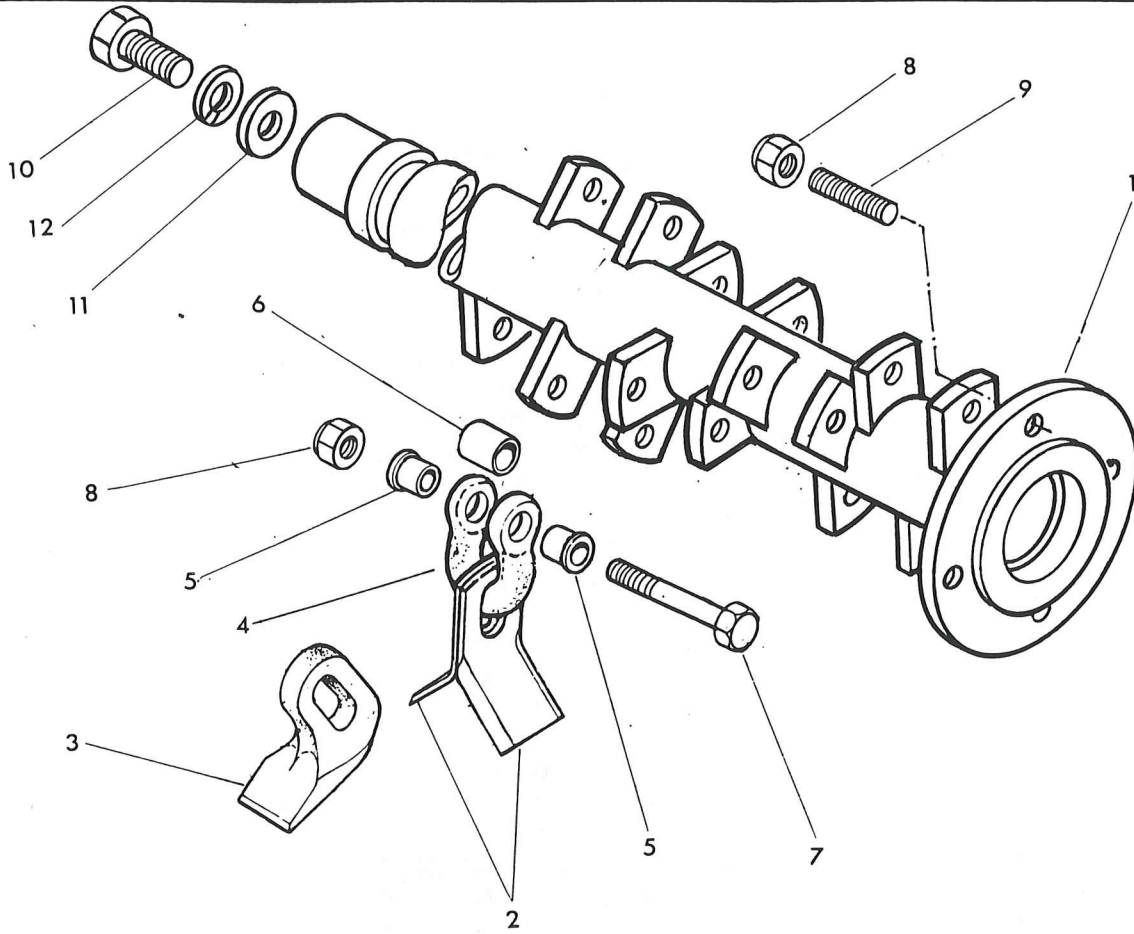
08.785.02

SEAL KIT - hydraulic motor

ROTOR & FLAIL OPTIONS
ROLLER



McCONEL





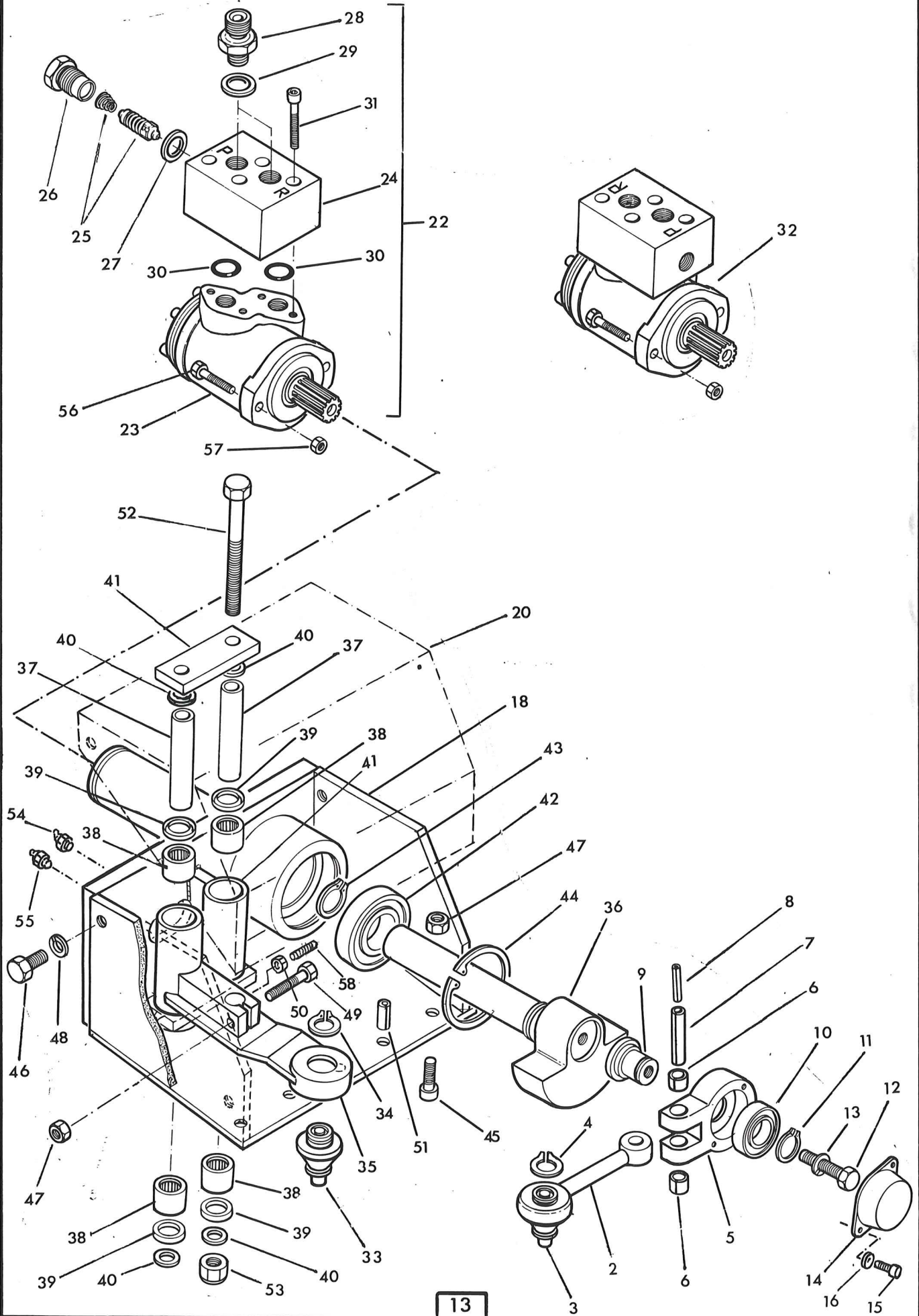
Ref. Part No.	Qty	Description
ROTOR		
1 41284.01	1	Rotor
2 71 90 166	48	Flail - grass
3 71 90 463	24	Flail - universal
4 05.895.01	24	Shackle
5 02.801.01	48	Collar
6 02.807.01	24	Spacer
7 05.775.02	24	Bolt
8 05.968.02	28	Self locking nut
9 03.917.01	4	Stud
10 93 13 076	1	Setscrew
11 02.824.01	1	Washer - special
12 91 00 206	1	Spring washer

ROLLER		
41301.01	1	Roller assembly compr:-
13 41301.31	1	Roller
14 04.456.07	2	Seal
15 04.456.11	2	Bearing
16 04.456.06	2	Labyrinth seal
17 04.456.04	2	External circlip
18 04.456.08	2	V seal
19 04.456.05	2	Bearing retainer
20 41301.32	1	Roller shaft
21 41285.01	2	Roller bracket
22 91 13 008	4	Plain nut
23 91 00 208	2	Spring washer
24 93 13 066	2	Setscrew
25 93 13 086	2	Setscrew
26 91.43.006	4	Self locking nut

CUTTERBAR DRIVE



McCORMICK





MCCORMEL

Ref. Part No.	Qty	Description
CUTTERBAR MOUNTING AND DRIVE		
1	41075.01	1 Con rod - L.Hand compr:-
2	41532.01	1 Con rod shaft
3	10 90 058	1 Swivel
4	04 01 225	1 External circlip
5	10 90 056	1 Bearing housing
6	10 90 059	2 Bush
7	10 90 060	1 Spring dowel
8	10 90 061	1 Spring dowel
9	10 90 057	1 Spigot
10	06 00 074	1 Bearing
11	04 01 230	1 External circlip
12	92 13 116	1 Bolt
13	91 00 206	1 Spring washer
14	10 90 054	1 Bearing cap
15	93 43 023	2 Capscrew
16	91 00 203	2 Spring washer
17	41075.02	1 Con rod-R.Hand-not illus.components as L.Hand
18	41261.01	1 Mounting bracket - L.Hand
19	41261.02	1 Mounting bracket - R.Hand - not illus.
20	41264.01	1 Drive cover - L.Hand
21	41264.02	1 Drive cover - R.Hand - not illus.-
22	41336.01	1 Motor assy. L.Hand compr:-
23	83 01 293	1 Motor
24	41360.01	1 Valve plate
25	81 30 151	1 Relief valve
26	81 30 032	1 Relief valve cap
27	86 50 103	1 Bonded seal
28	G381.2120	2 Adaptor
29	86 50 104	2 Bonded seal
30	86 00 403	2 'O' ring
31	93 43 104	4 Capscrew
32	41336.02	1 Motor assy. R.Hand - components as L.Hand
33	10 90 058	1 Swivel
34	04 01 225	1 External circlip
35	41263.01	1 Rocker arm
36	41266.01	1 Crankshaft
37	41242.01	2 Sleeve
38	06 00 102	4 Bearing
39	86 29 212	4 Sealing ring
40	41275.01	4 Thrust washer
41	41262.01	2 Control link
42	06 00 073	1 Bearing
43	04 02 235	1 External circlip
44	04 11 272	1 Internal circlip
45	93 53 075	3 Capscrew
46	93 13 035	4 Setscrew
47	91 43 005	4 Self locking nut
48	91 00 205	4 Spring washer
49	93 43 105	1 Capscrew
50	91 13 004	1 Plain nut
51	04 28 120	2 Spring dowel
52	92 13 286	2 Bolt
53	91 43 006	2 Self locking nut
54	09 01 124	1 Greaser
55	09 01 121	1 Greaser
56	02 11 165	2 Bolt
57	01 41 005	2 Self locking nut
58	93 63 054	1 Grubscrew

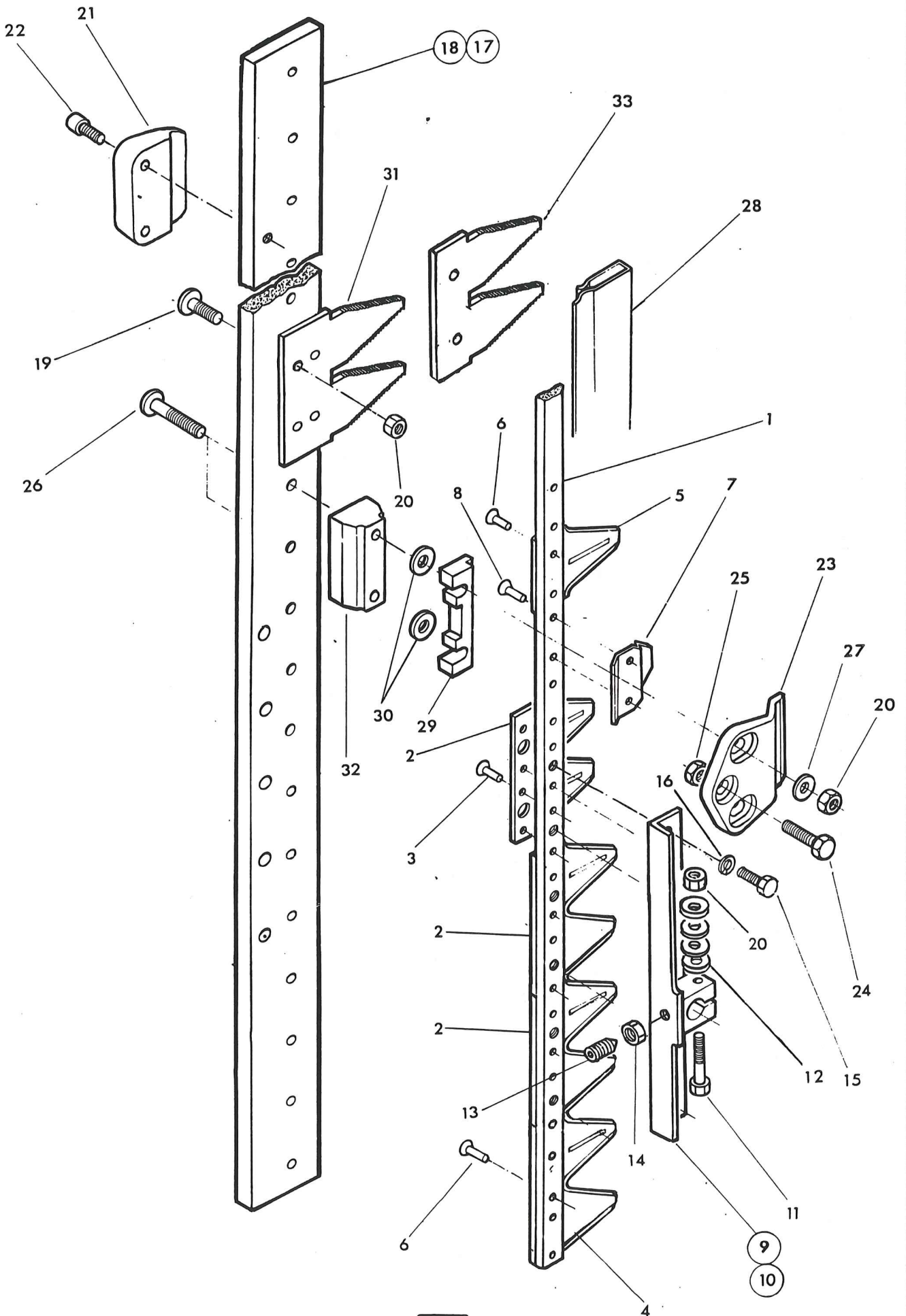
86 99 246

SEAL KIT -hydraulic motor

CUTTERBAR



McCONNEL





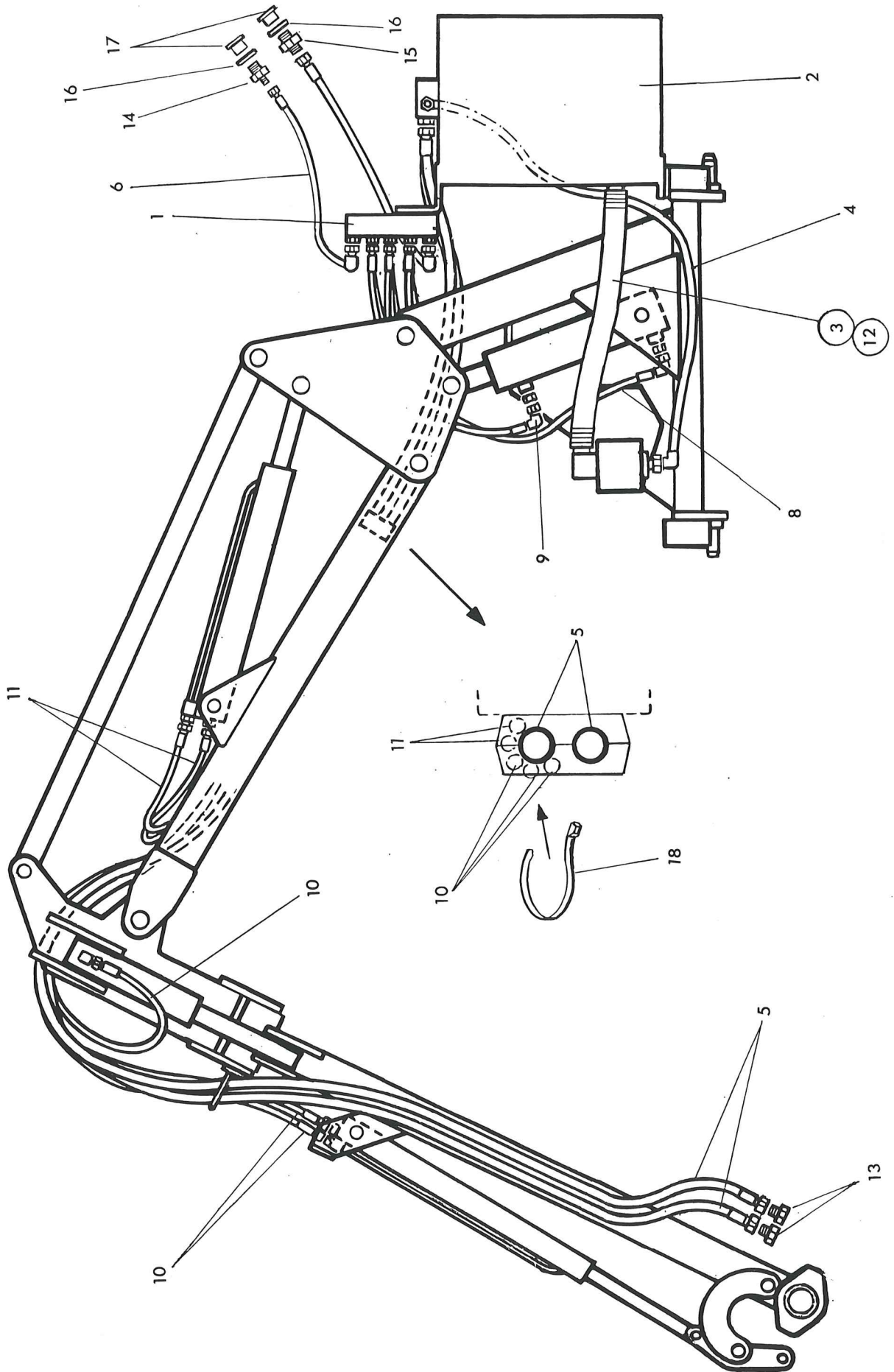
Ref.	Part No.	Qty	Description
			CUTTERBAR ASSEMBLIES
	41.074.03	1	Knife assembly
1	41470.01	1	Knife back
2	41471.01	3	Knife section-double-knife heel pos.
3	10 90 062	12	Rivet
4	41471.02	11	Knife section - double
5	41471.03	1	Knife section - single
6	10 90 063	36	Rivet
7	41472.01	5	Abutment plate
8	10 90 064	20	Rivet
9	41.076.02	1	Knife heel - R.hand
10	41.076.01	1	Knife heel - L.hand
11	92 13 104	1	Setscrews
12	10 90 119	4	Disc spring
13	93 63 044	1	Grubscrew
14	91 13 004	2	Plain nut
15	41477.01	4	Setscrew
16	91 00 204	4	Spring washer
17	41.078.04	1	Fingerbar - R.hand - not illus.
18	41.078.03	1	Fingerbar - L.hand
19	10 90 073	20	Dome headed bolt
20	91 43 004	30	Self locking nut
21	41475.01	1	Slide plate
22	91 43 024	2	Capscrew
23	41476.01	5	Knife clip
24	93 13 064	5	Setscrew
25	91 13 004	5	Plain nut
26	10 90 077	10	Dome headed bolt
27	10 90 079	10	Washer
28	10 90 152	1	Knife guard

**CUTTERBAR ASSEMBLY -
UNIVERSAL ONLY**

29	41473.01	5	Abutment block
30	10 90 078	10	Washer
31	41474.01	15	Finger

**CUTTERBAR ASSEMBLY -
GRASS ONLY**

32	41473.02	5	Abutment block
33	41474.02	15	Finger





Ref. Part No. Qty Description

HOSE INSTALLATION S.I. MACHINES

1		1	Control valve
2		1	Tank
3	85 01 139	1	Hose 1 1/4 bore x 24 long - suction
4	85 01 250	1	Hose 5/8 BSP X 52 long FS-F135 pump to tank
5	85 01 249	2	Hose 5/8 BSP X 140 long FS-FS - flail hoses
6	85 31 323	1	Hose 3/8 BSP X 80 long SF-90F supply
7	85 32 014	1	Hose 1/2 BSP X 80 long SF-90F return
8	85 35 042	1	Hose 1/4 BSP X 40 long SF - 90F - lift base
9	85 35 082	1	Hose 1/4 BSP X 34 long SF-90F - lift gland
10	85 15 232	3	Hose 1/4 BSP X 88 long SF-SF - angle & B/away
11	85 15 132	2	Hose 1/4 BSP X 64 long SF-SF - reach
12	09 04 107	4	Hose clip
13	G381 2119	2	Blanking cap
14	60 00 112	1	Adaptor
15	85 81 110	1	Union
16	86 50 104	2	Bonded seal
17	ST 134	2	Plastic blanking cap
18	71 96 045	as req	Hose tie 300 long

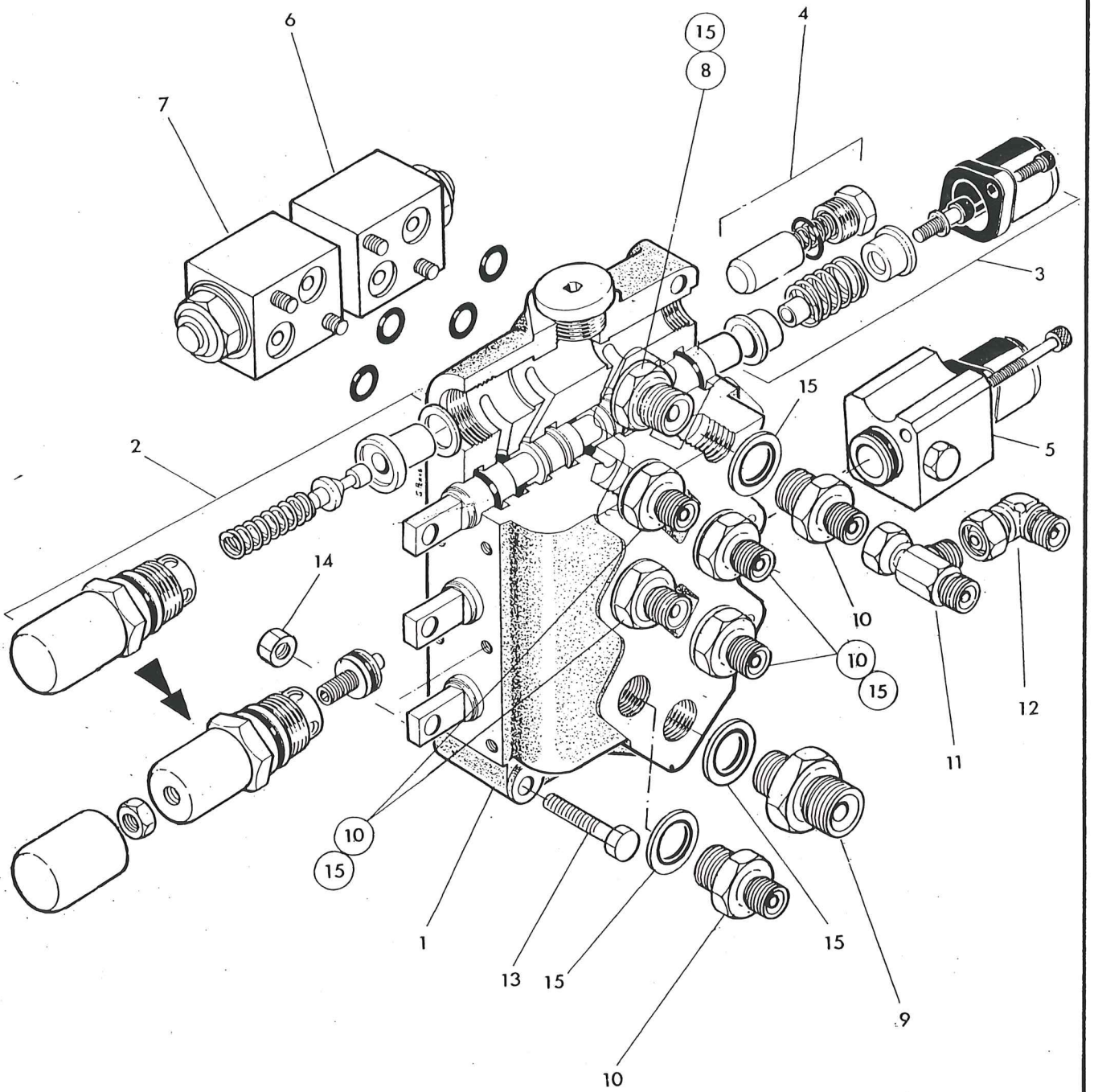


Ref. Part No.	Qty	Description
HOSE INSTALLATION T.I. MACHINES		
1	1	Control valve
2	1	Rotor control valve
3	1	Tank
4	1	Hose 1 1/4 bore X 24 long - suction
5	1	Hose 5/8BSPX52 long SF-135F-pump to R.C.valve
6	2	Hose 5/8 BSP X 140 long FS-FS - flail hoses
7	1	Hose 3/8 BSP X 65 long SF-90F - pump -valve
8	1	Hose 1/2BSPX22 long SF-90F valve-R.C.valve
9	1	Hose 1/4 BSP X 40 long SF-90F - lift base
10	1	Hose 1/4 BSP X 34 long SF-90F - lift gland
11	3	Hose 1/4 BSP X 88 long SF-SF -angle & b/away
12	2	Hose 1/4 BSP X 64 long SF-SF -reach
13	1	Hose 5/8 BSP X 46 long SF-SF - R.C.valve-tank
14	4	Hose clip
15	2	Blanking caps
16	as req	Hose tie 300 long

CONTROL VALVE



McCORMEL



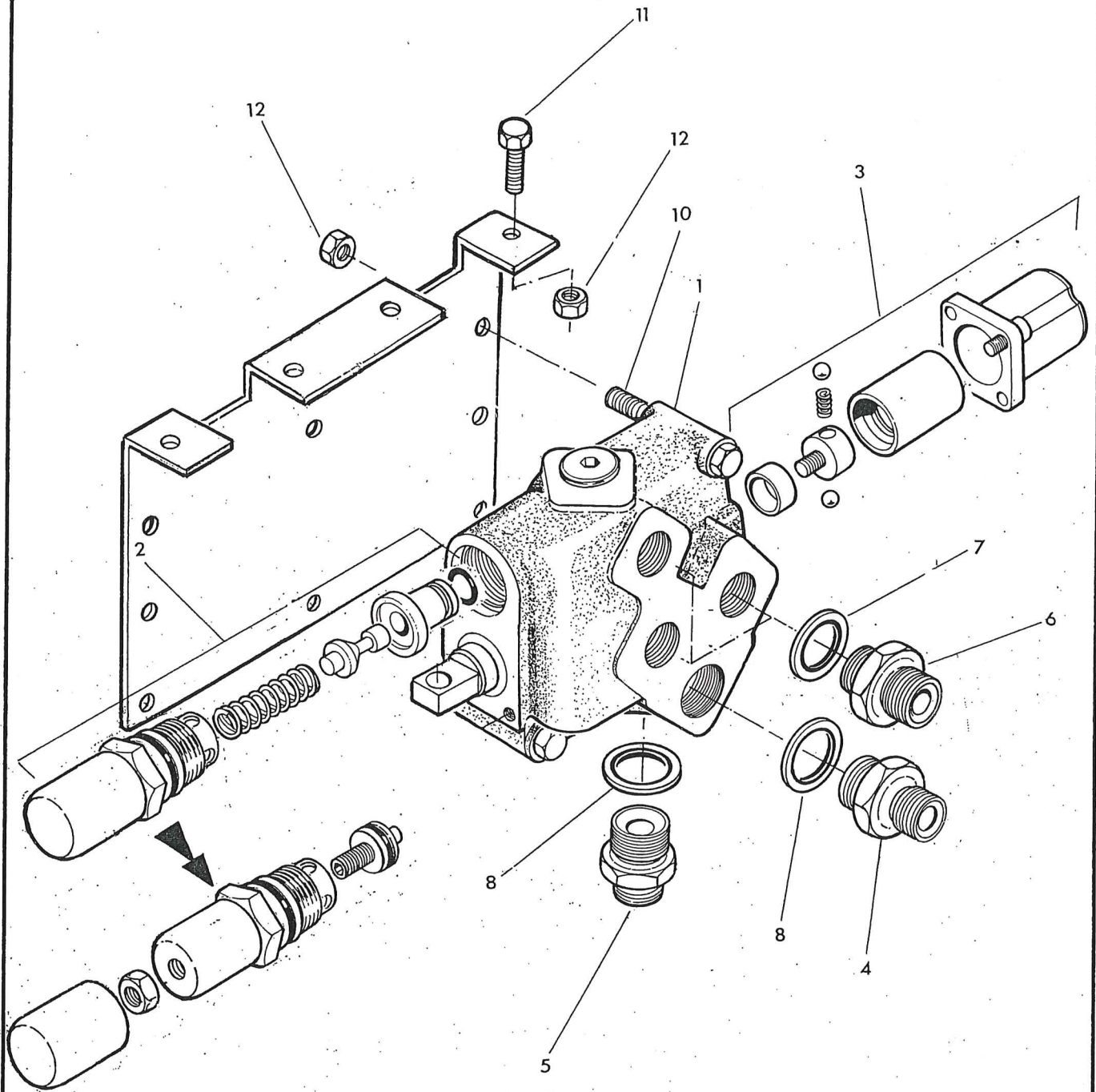


Ref. Part No.	Qty	Description
CONTROL VALVE ASSEMBLY		
1	81 30 616	1 Control valve:
2	G381 2539	1 Main relief valve 160 Bar (2300 Psi)
3	81 30 134	3 Centering spring assembly
4	81 30 022	1 Non return valve assembly
5	81 30 084	1 Angle detent assy
6	81 28 064	1 Service relief valve 175 Bar - Lift base
7	81 28 065	1 Service relief valve 40 Bar Lift gland
8	60 00 113	1 Adaptor
9	60 00 112	1 Adaptor
10	85 81 115	6 Adaptor
11	85 81 254	1 Tee connector
12	85 81 190	1 Elbow-swivel
13	92 13 144	2 Bolt
14	91 43 004	2 Self locking nut
15	86 50 103	8 Bonded seal
	86 99 163	SEAL KIT
	87 00 510	4 'O' ring

ROTOR CONTROL VALVE
T.I. only



McCOMEL



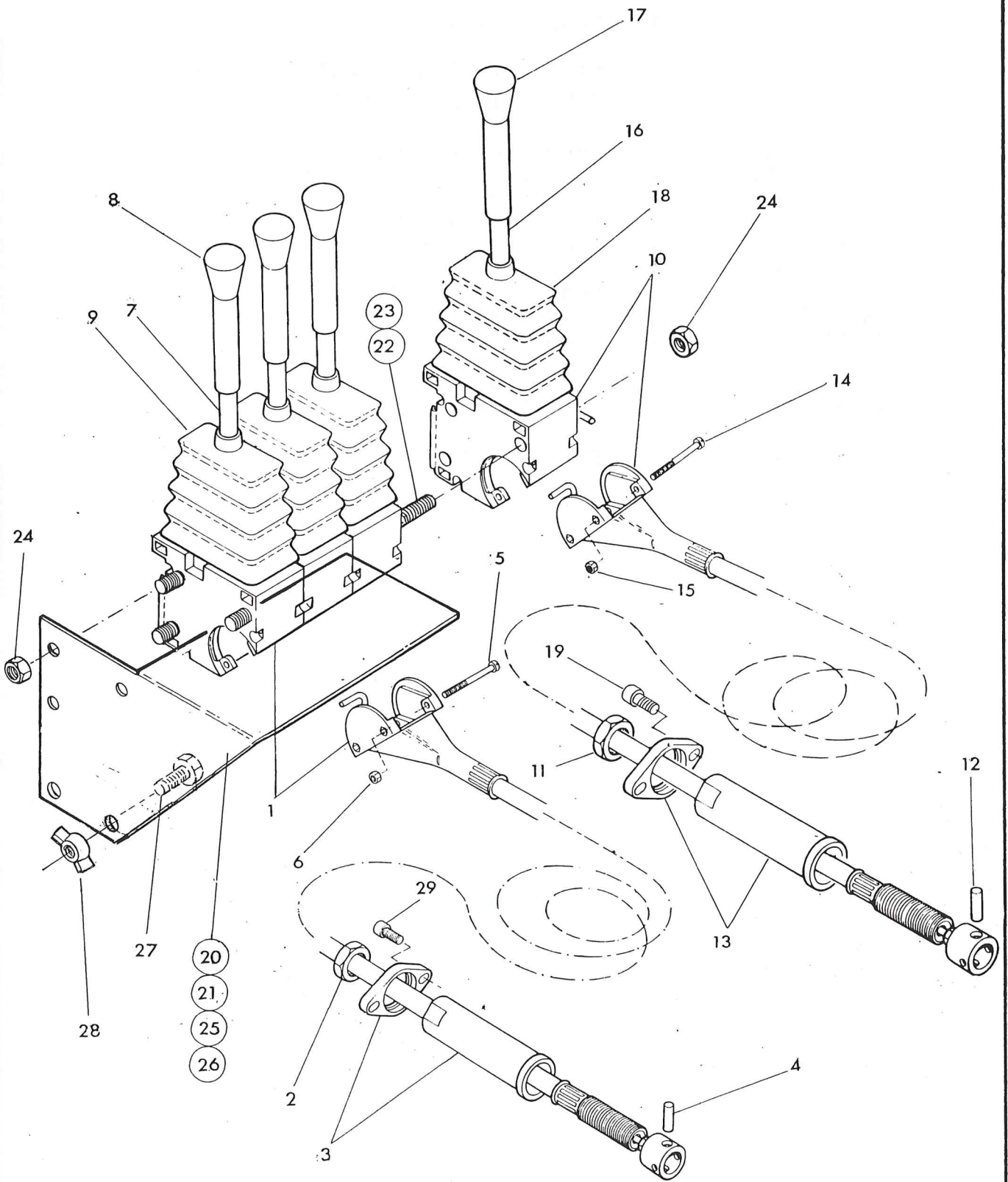


Ref. Part No.	Qty	Description
ROTOR CONTROL VALVE ASSEMBLY (T.I. Models only)		
1 81 25 343	1	Rotor control valve inc:
2 81 25 095	1	Relief valve - 3000 psi (210 bar)
3 81 25 109	1	Spool detent assembly
4 85 81 130	1	Adaptor
5 85 81 270	1	Adaptor
6 85 81 180	3	Adaptor
7 86 50 104	3	Bonded seal
8 86 50 106	2	Bonded seal
9 41328.01	1	Mounting bracket
10 92 13 164	3	Bolt
11 93 13 044	2	Setscrew
12 91 43 004	5	Self locking nut
86 99 218		SEAL KIT

LEVER CONTROLS



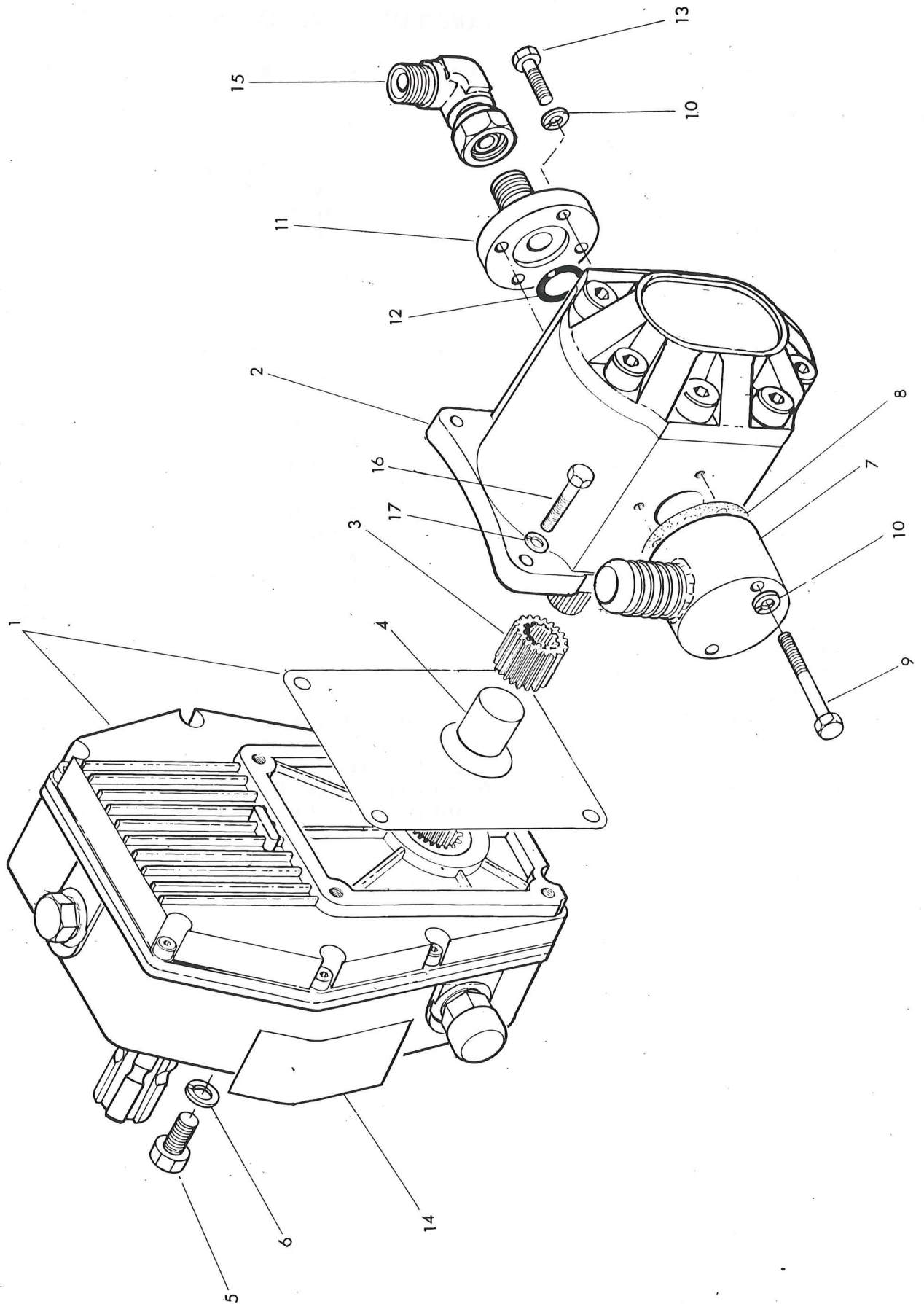
McCORMICK





REF	PART NO.	QTY	DESCRIPTION
CONTROL LEVERS AND CABLES			
1	80 17 029	3	Lever and cable assy. lift, reach, angle
2	80 17 014	1	Locknut
3	80 17 013	1	Flange and sleeve
4	80 17 016	1	Spool eye pin
5	93 73 081	2	Screw
6	91 13 001	2	Nut
7	80 17 028	1	Lever
8	80 17 027	1	Knob
9	80 17 026	1	Weather gaiter
10	80 17 011	1	Lever and cable assembly - Rotor control compr:-
11	80 17 014	1	Locknut
12	80 17 021	1	Pin
13	80 17 018	1	Flange and sleeve
14	93 73 081	2	Screw
15	91 13 001	2	Nut
16	80 17 028	1	Lever
17	09 968 99	1	Knob
18	80 17 026	1	Weather gaiter
19	93 43 023	2	Capscrew
20	09 970.01	1	Mounting bracket - 4 lever L.Hand
21	09 970.02	1	Mounting bracket - 4 lever R.Hand
22	04 282.70	3	Tie rod - 4 lever
23	04 282.73	3	Tie rod - 3 lever
24	91 43 003	3	Self locking nut
25	41 181.01	1	Mounting bracket - 3 lever L.Hand
26	41 181.02	1	Mounting bracket - 3 lever R.Hand
27	93 13 034	2	Setscrew
28	91 93 004	2	Wingnut
29	93 43 022	6	Capscrew

Ti
only





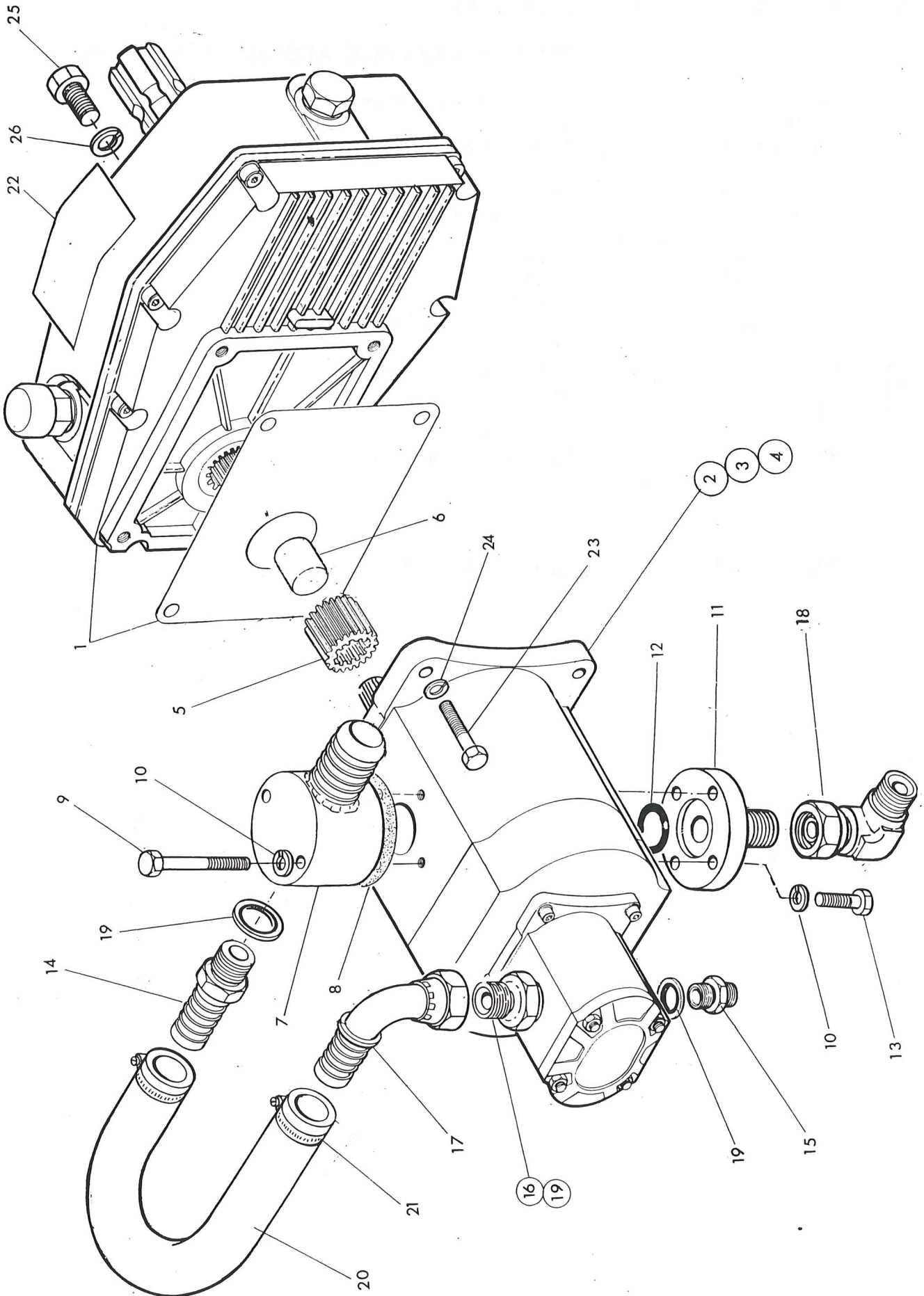
Ref. Part No. Qty Description

PUMP & GEARBOX ASSEMBLY S.I. MODELS

1	80 13 443	1	Gearbox assembly
2	82 01 463	1	pump
3	80 13 097	1	Coupling
4	42415 02	1	Spacer
5	93 13 046	4	Setscrew
6	91 00 206	4	Spring washer
7	80 13 022/B	1	Suction connection
8	80 13 023	1	Gasket
9	92 13 144	2	Bolt
10	91 00 204	6	Spring washer
11	80 13 083	1	Pressure connection
12	86 00 119	1	'O' ring
13	93 13 054	4	Setscrew
14	12 90 030	1	Sticker
15	85 81 338	1	Elbow - swivel
16	92 13 095	4	Bolt
17	91 00 205	4	Spring washer

86 99 231

PUMP SEAL KIT





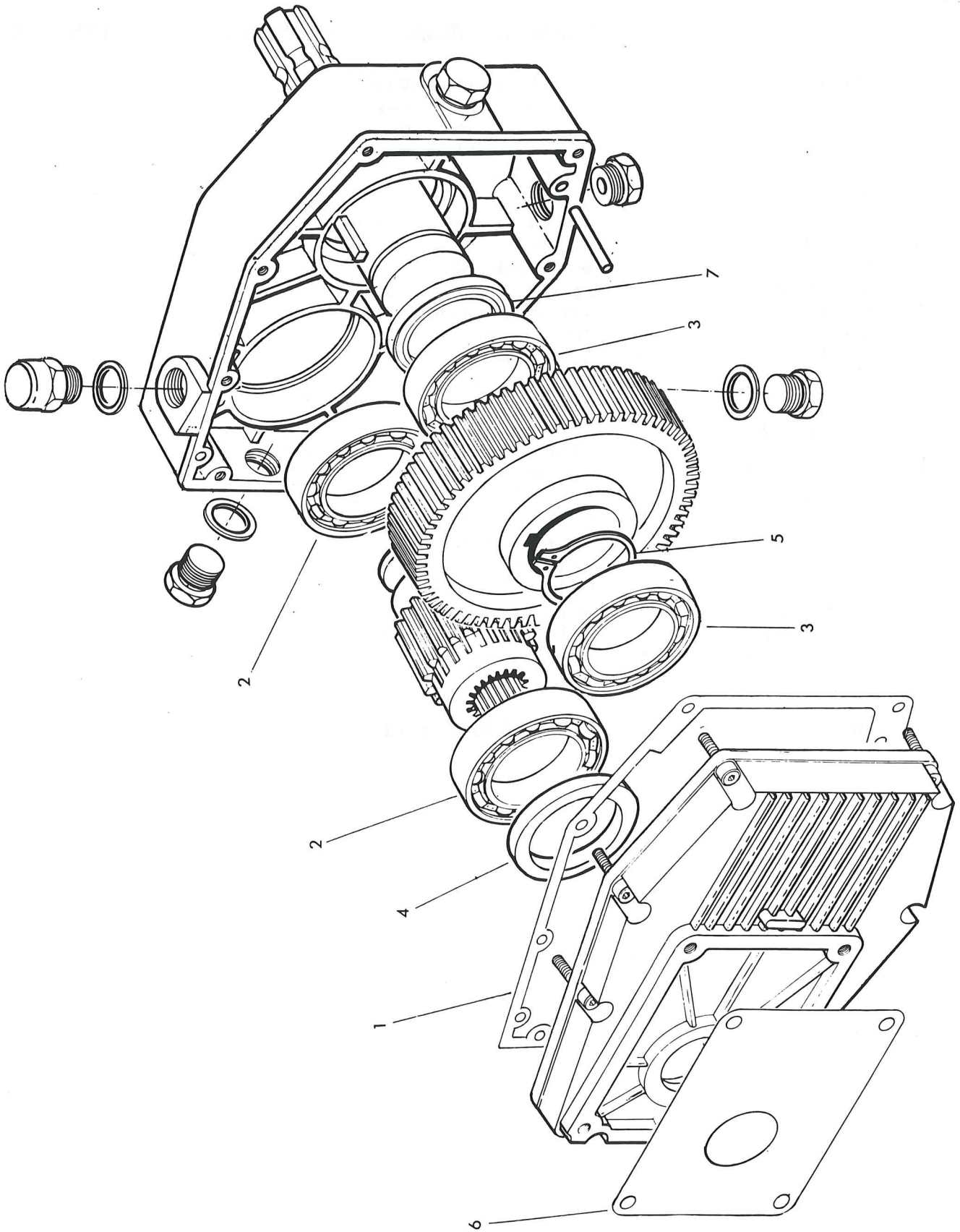
Ref. Part No. Qty Description

PUMP & GEARBOX ASSEMBLY T.I. MODELS

1	80 13 443	1	Gearbox assembly
2	82 01 466	1	Tandem pump compr:-
3	82 01 684	1	Large pump
4	82 01 677	1	Small pump
5	80 13 097	1	Coupling
6	42415 02	1	Spacer
7	80 13 082	1	Suction connection
8	80 13 023	1	Gasket
9	92 13 144	2	Bolt
10	91 00 204	6	Spring washer
11	80 13 083	1	Pressure connection
12	86 00 119	1	'O' ring
13	93 13 054	4	Setscrew
14	80 02 059	1	Adaptor
15	60 00 112	1	Adaptor
16	G3812120	1	Adaptor
17	85 81 173	1	Elbow
18	85 81 338	1	Elbow swivel
19	86 50 104	3	Bonded seal
20	85 01 099	1	Hose 5/8 bore X 13 long
21	09 04 204	2	Hose clips
22	12 90 030	1	Sticker
23	92 13 095	4	Bolt
24	91 00 205	4	Spring washer
25	93 13 046	4	Setscrew
26	91 00 206	4	Spring washer

86 99 231

PUMP SEAL KIT



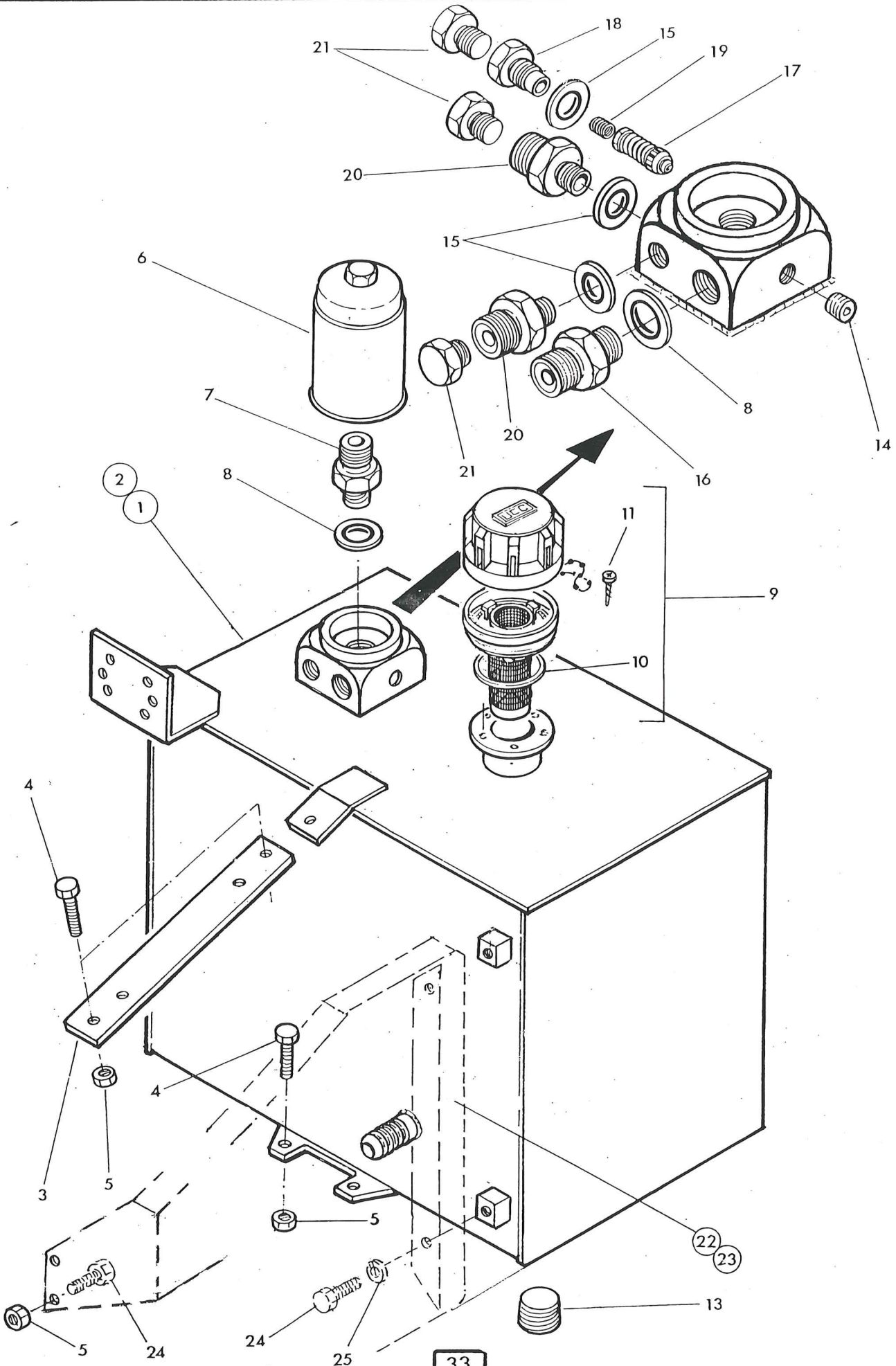


Ref.	Part No.	Qty	Description
	80 13 443	1	GEARBOX ASSEMBLY
1	80 13 087	1	.Gearbox case sealing gasket
2	06 00 047	2	.Bearing
3	06 00 048	2	.Bearing
4	86 29 139	1	.Seal
5	04 01 250	1	.External circlip
6	90 13 056	1	.Pump face gasket
7	86 29 134	1	.Seal

HYDRAULIC TANK



McCOMEL



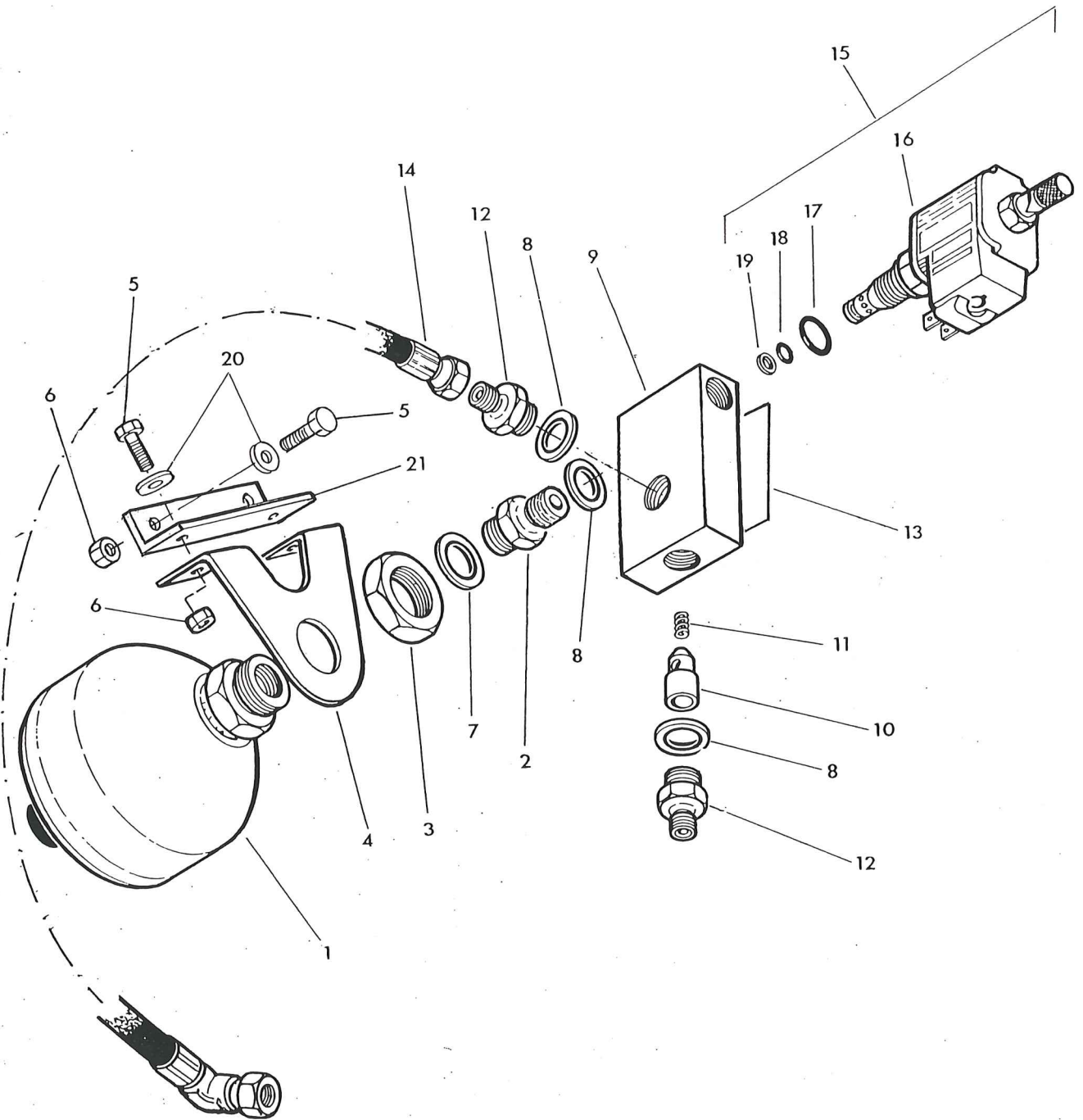


Ref. Part No.	Qty	Description
OIL TANK ASSEMBLY		
1	41196.01	1 Tank - L hand rear. R hand front
2	41196.02	1 Tank - R Hand rear. L hand front - not illus.
3	41204.01	1 Tank strap
4	93 13 065	4 Setscrew
5	91 43 005	6 Self locking nut
6	84 01 045	1 Filter
7	85 81 174	1 Adaptor
8	86 50 104	2 Bonded seal
9	84 01 014	1 Filler/breather assembly compr:
10	84 01 017	1 Gasket
11	03 00 082	6 Screw - self tapping
12	91 00 205	2 Spring washer
13	85 81 203	1 Drain plug
14	85 82 042	1 Plug
15	86 50 103	3 Bonded seal
16	G381.2120	1 Adaptor
17	81 30 030	1 Relief valve]
18	81 30 031	1 Relief valve housing] S.I.
19	81 16 011	1 Spring] only
20	85 81 175	2 Adaptor]
21	80 03 001	3 Blanking plug - T.I. only
22	41875.02	1 Tank fairing - L hand rear. R hand front
23	41875.03	1 Tank fairing - R hand rear. L hand front not illus.
24	93 13 045	4 Setscrew

LIFT FLOAT KIT



McCORMICK



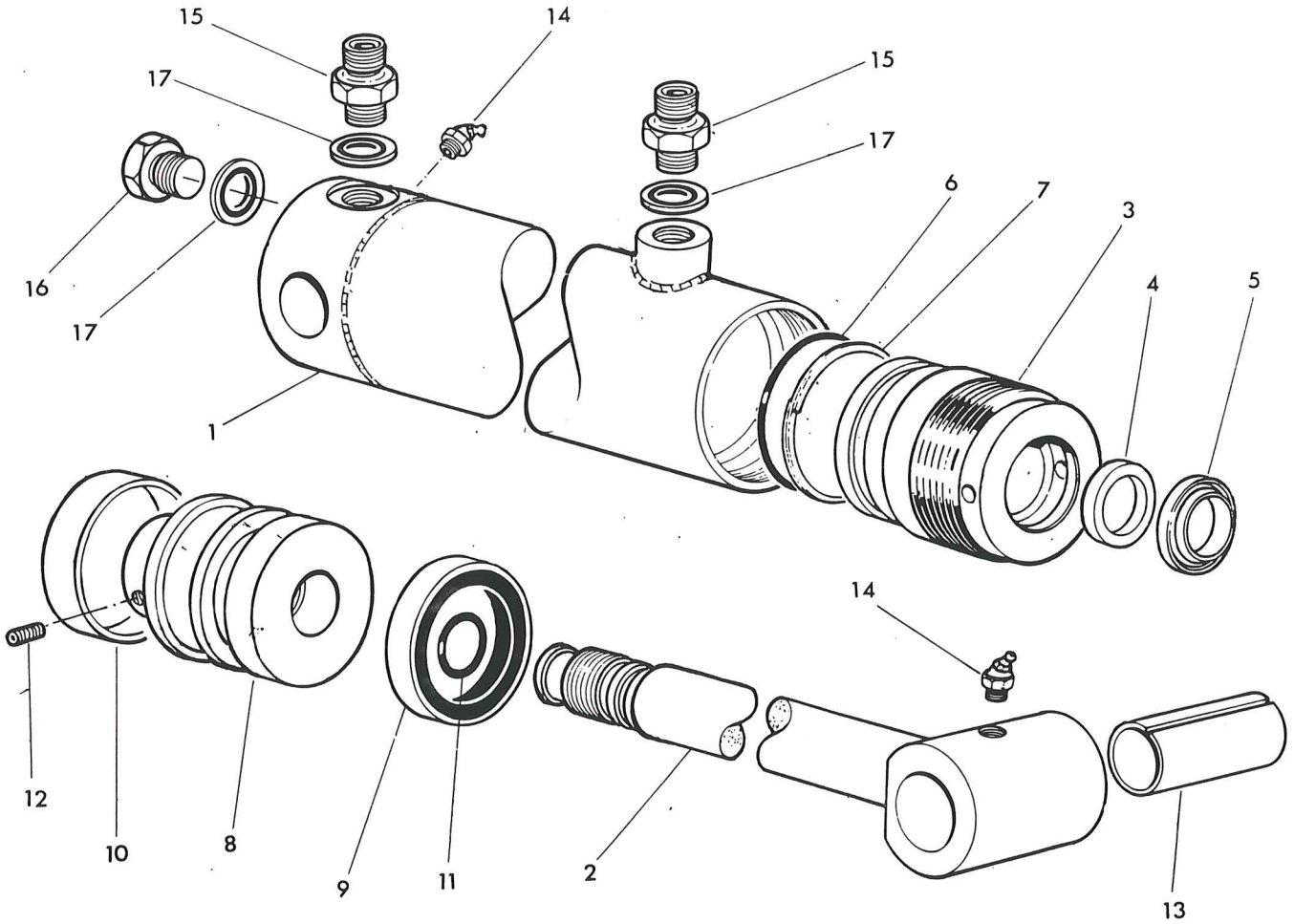


Ref.	Part No.	Qty	Description
	81 26 291		LIFT FLOAT KIT - Quick response
1	81 26 042	1	Accumulator
2	G241 0380	1	Adaptor
3	81 26 035	1	Bulkhead nut
4	81 26 286	1	Bracket
5	93 13 054	4	Setscrew
6	91 43 004	4	Self locking nut
7	86 50 322	1	Bonded seal
8	86 50 103	3	Bonded seal
9	81 26 287	1	Control block
10	81 26 037	1	Response piston
11	81 16 011	1	Spring
12	85 81 115	2	Adaptor
13	12 90 061	1	Operating sticker
14	85 35 012	1	Hose 1/4 BSP X 12 long SF - 90F
15	81 30 183	1	Poppet valve including:
16	81 30 184	1	Coil
17	87 00 017	1	'O' ring
18	87 00 511	1	'O' ring
19	87 09 511	1	Anti extrusion ring
20	91 00 104	2	Plain washer
21	81 26 306	1	Mounting bracket

LIFT RAM



McCONEL

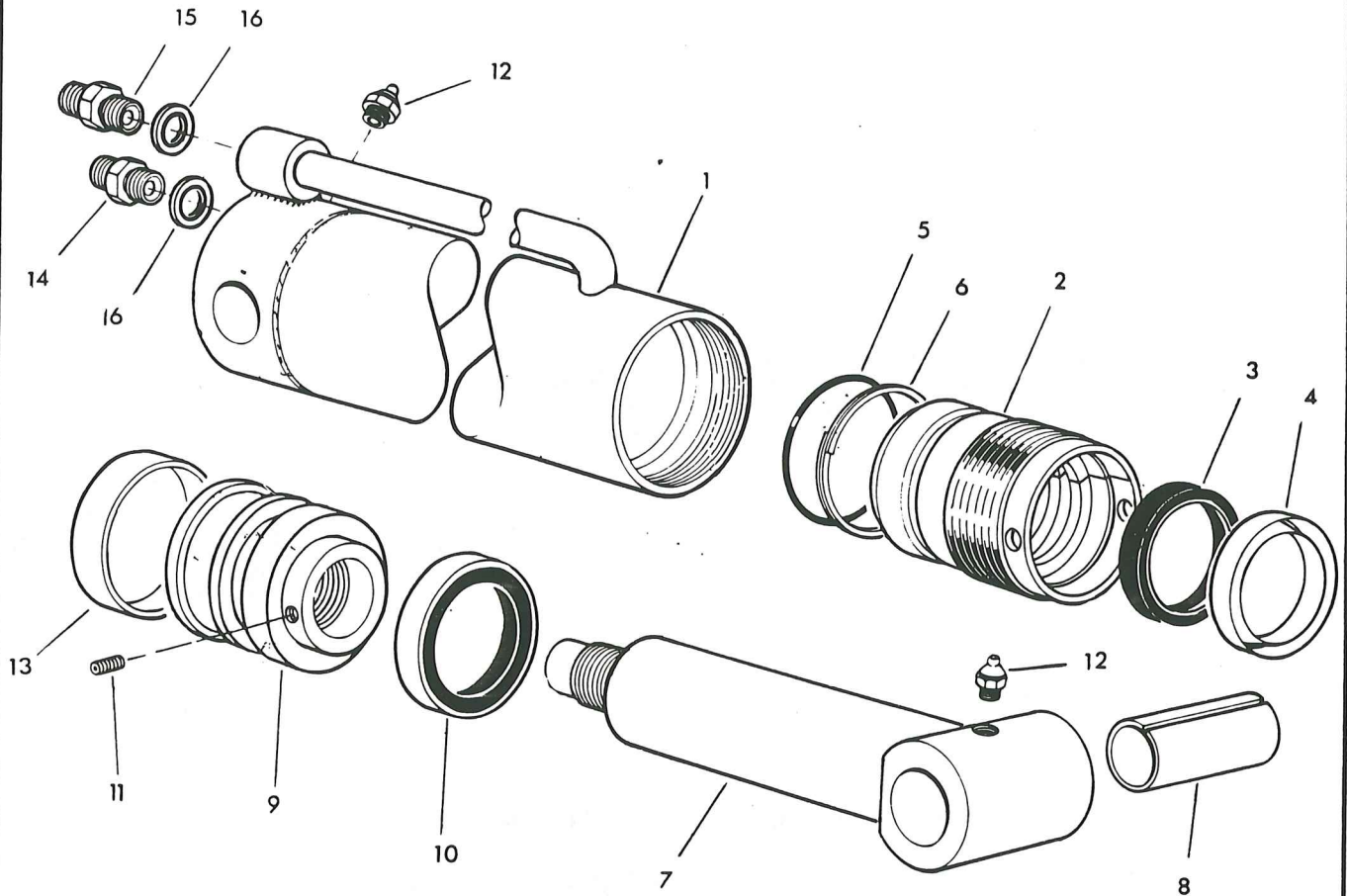


Ref.	Part No.	Qty	Description
	41014.03		LIFT RAM ASSEMBLY
1	41034.01	1	Ram barrel
2	41035.01	1	Piston rod
3	71 20 384	1	Gland housing
4	86 29 164	1	Gland seal
5	86 29 147	1	Piston rod wiper seal
6	86 00 429	1	'O' ring
7	86 09 429	1	Anti extrusion ring
8	71 20 383	1	Piston
9	86 29 189	1	Piston seal
10	86 29 190	1	Guide ring
11	86 00 403	1	'O' ring
12	93 63 023	1	Grub screw M6X12
13	71 05 050	1	Bush
14	09 01 124	2	Greaser 1/8 BSP - angle
15	03.028.08	2	Restrictor union
16	80 03 001	1	Plug 3/8 BSP
17	86 50 103	3	Bonded seal 3/8 BSP
	86 99 228		SEAL KIT

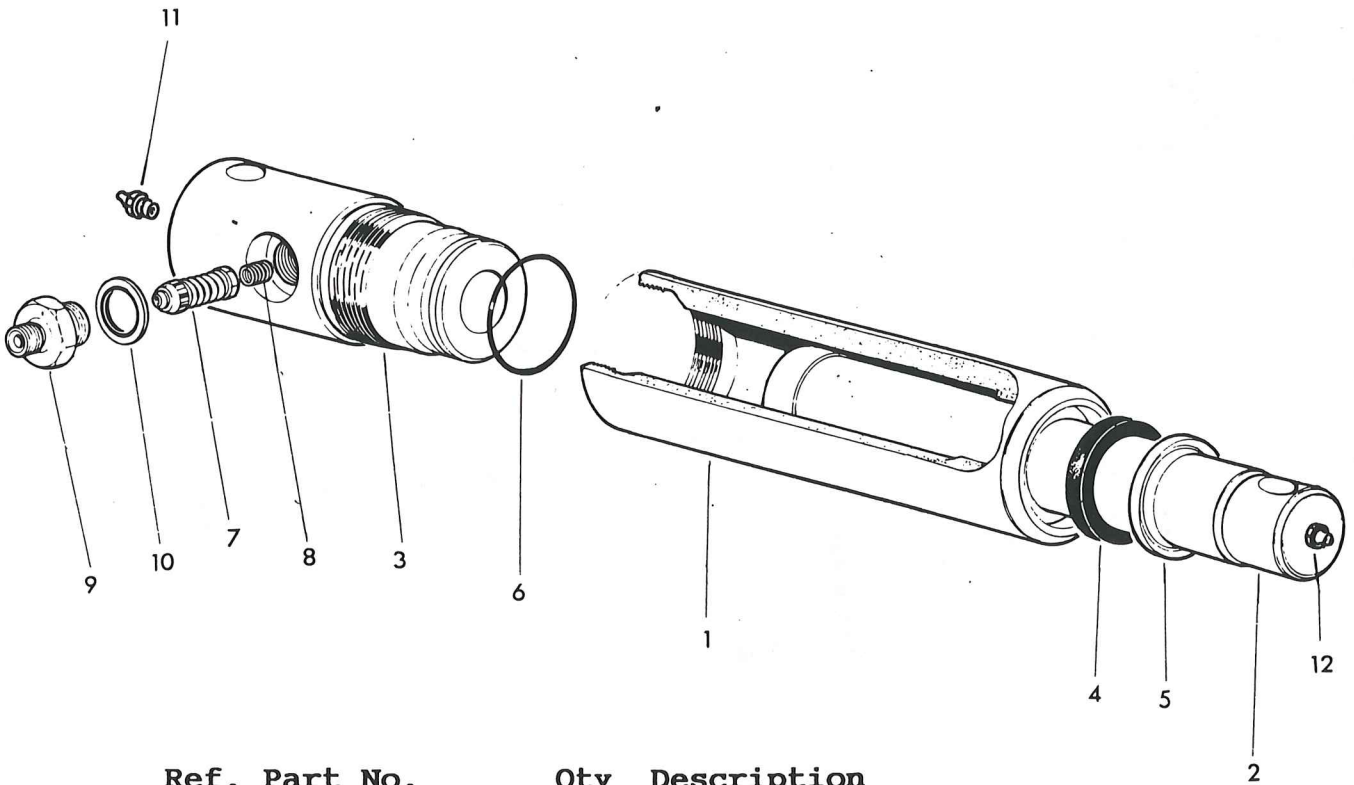
REACH RAM



McCORMEL



Ref.	Part No.	Qty	Description
	41015.03		REACH RAM ASSEMBLY
1	41036.01	1	Ram barrel
2	11 86 512	1	Gland housing
3	86 29 164	1	Gland seal
4	86 29 147	1	Piston rod wiper seal
5	86 00 306	1	'O' ring
6	86 09 306	1	Anti extrusion ring
7	41037.01	1	Piston rod
8	71 05 050	1	Bush
9	71 20 368	1	Piston
10	86 29 156	1	Piston seal
11	93 63 023	1	Grub screw socket headed
12	09 01 121	2	Greaser straight
13	86 27 157	1	Guide ring
14	81 30 046	1	Restrictor union
15	81 30 066	1	Restrictor union
16	86 50 103	2	Bonded seal
	86 99 217		SEAL KIT

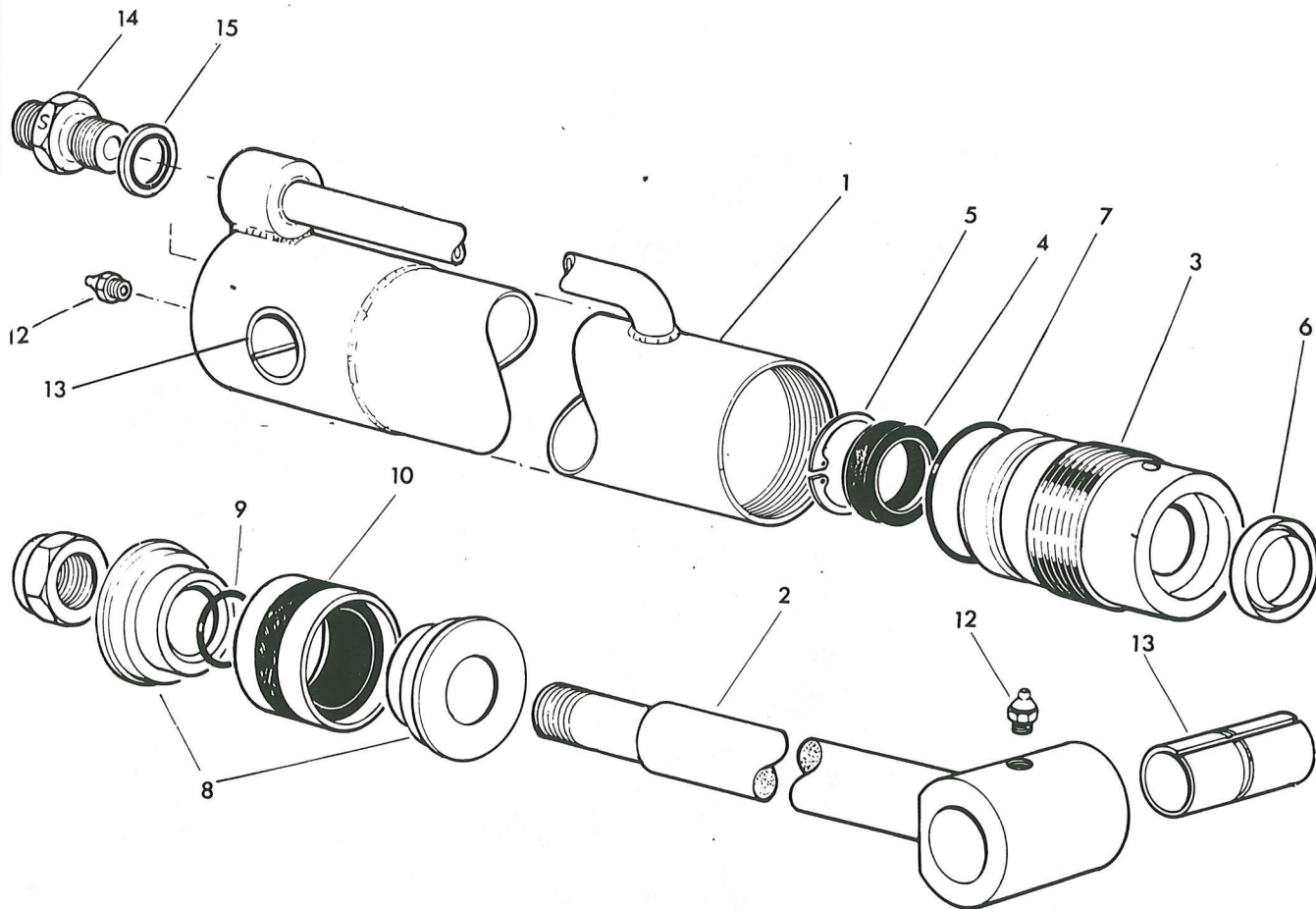


Ref.	Part No.	Qty	Description
	41322.02		BREAKAWAY RAM ASSEMBLY
1	71 91 308	1	Ram barrel
2	71 91 051	1	Rod
3	71 91 299	1	Ram base
4	86 29 158	1	Rod seal
5	85 29 152	1	Wiper seal
6	86 00 302	1	'O' ring
7	81 30 189	1	Relief valve
8	81 16 011	1	Spring
9	81 30 083	1	Relief valve body
10	86 50 104	1	Bonded seal
11	09 01 121	2	Greaser straight

ANGLE RAM



McCORMEL

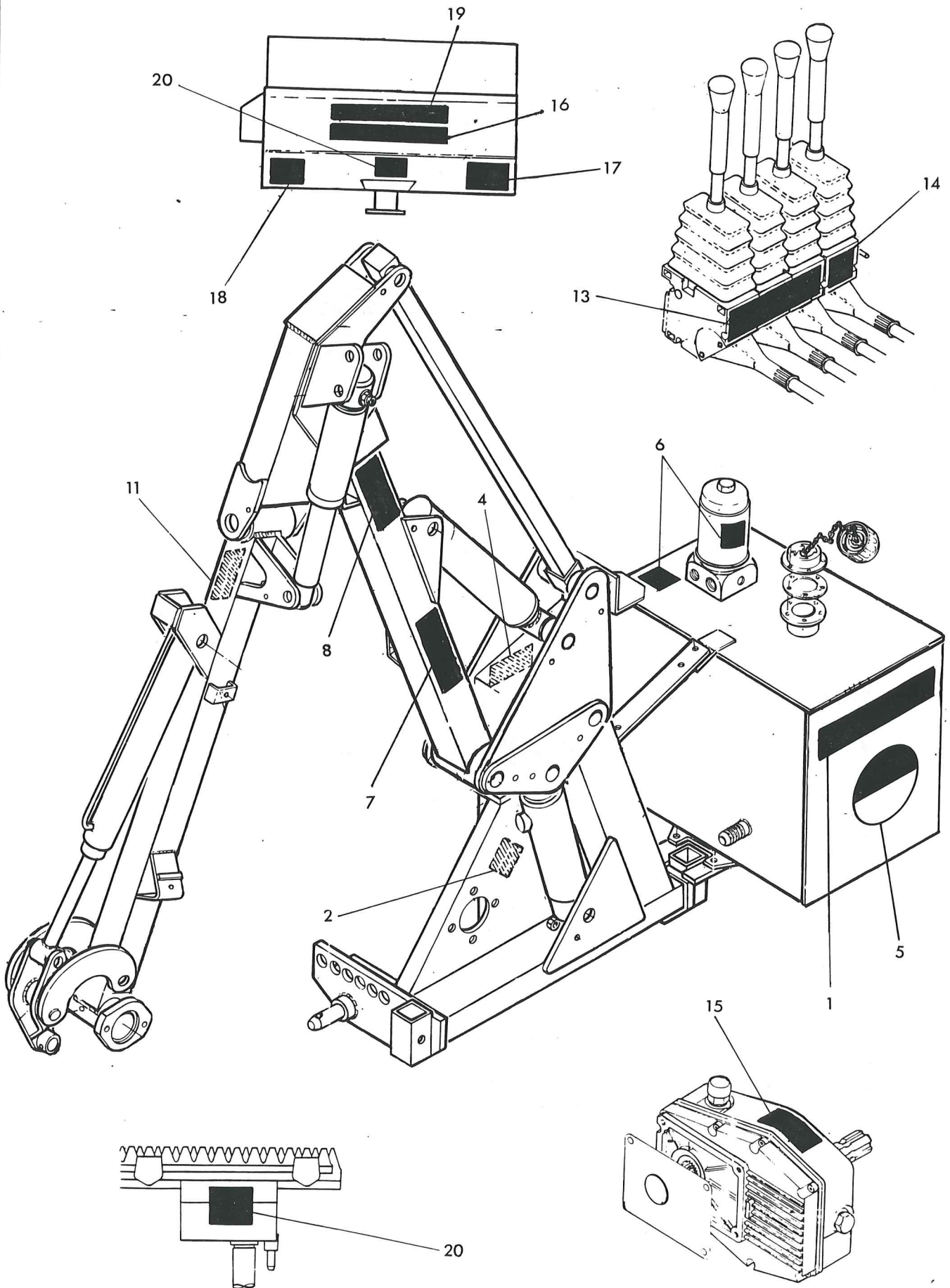


Ref. Part No.	Qty	Description
71 91 072		ANGLING RAM ASSEMBLY
1 71 91 295	1	Ram basic compr:
1 71 91 296	1	Cylinder
2 10 90 031	1	Piston rod
3 10 90 273	1	Gland nut
4 86 29 162	1	Gland seal
5 04 16 234	1	Circlip
6 86 29 161	1	Wiper ring
7 86 00 123	1	'O' ring
8 10 90 034	2	Piston
9 86 00 112	1	'O' ring
10 86 29 160	1	Piston seal
11 01 41 007	1	Self locking nut
12 09 01 121	1	Greaser straight
13 10 90 005	2	Bush
14 81 30 037	2	Restrictor union 'S'
15 86 50 102	2	Bonded seal

86 99 202 SEAL KIT

Assembly note

Assemble locknut onto rod using 'Permabond A113' or similar medium strength thread locking compound.





Réf Pièce	Qté	Description
		ETIQUETTES MACHINE
1 12 90 436	1	Agram
2 71 05 130	1	Lisez le manuel avant l'emploi
3 0096 2764	6	Point de serrage
4 71 35 295	1	Tendez les chaînes de butée
5 12 90 296	1	Logo rond
6 12 90 023	2	Instructions filtre huile
7 12 90 411	1	MAG
8 12 90 447	1	310
9 12 90 074	1	Position sangle
10 12 90 552	1	Sécurité - expédié détaché - dans cabine
11 12 90 450	1	Avertissement retour dégagement
12 12 90 079	1	Attention projection bras - expédié détaché - dans cabine
13 12 90 368	1	Commandes bras
14 12 90 338	1	Commandes rotor/marche arrêt barre de coupe - Ti uniquement
15 12 90 030	1	Instructions huile boîte de vitesses
		PORTE-FLEAUX
16 12 90 255	1	McDonnell
17 12 90 341	1	Grillage de sécurité
18 12 90 377	1	Instructions
19 12 90 435	1	Agram
		BARRE DE COUPE
20 12 90 078	1	N'approchez pas les mains

