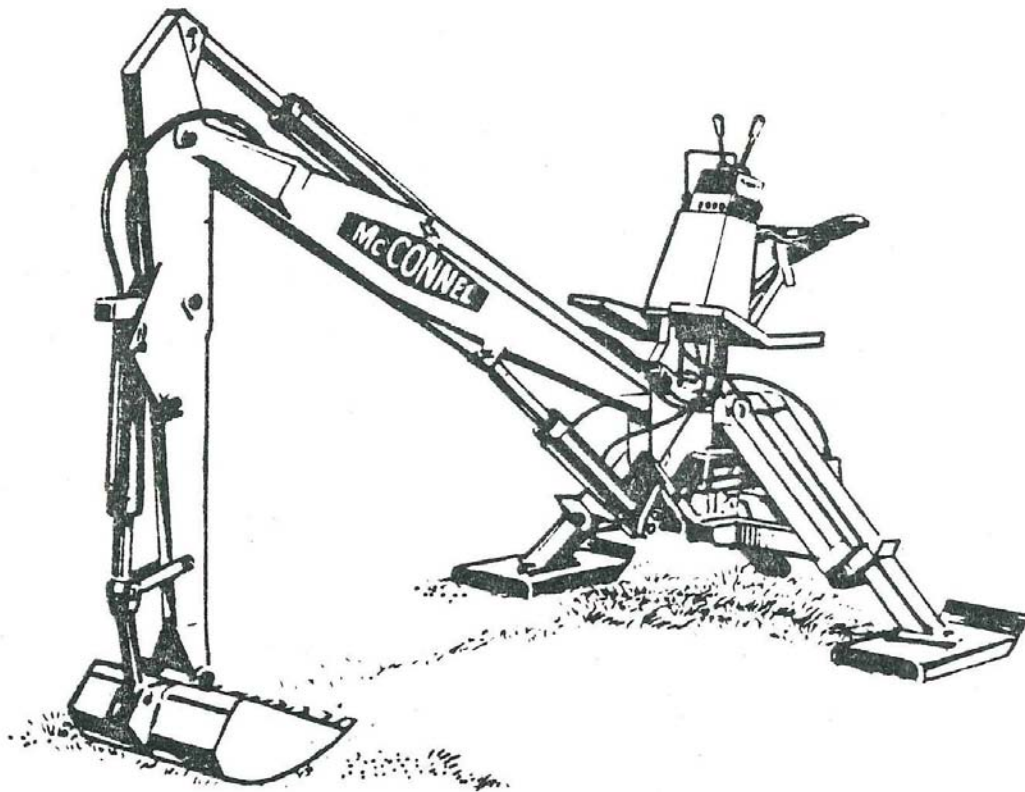


McCONNEL
S/12 SUPER-C (N)
Parts Manual



F W McConnel Ltd*agricultural & industrial machinery*

Temeside Works, Ludlow,
Shropshire, SY8 1JL
England.

telephone: (0584) 3131

cables: McConnel, Ludlow, England.

telex: 35313



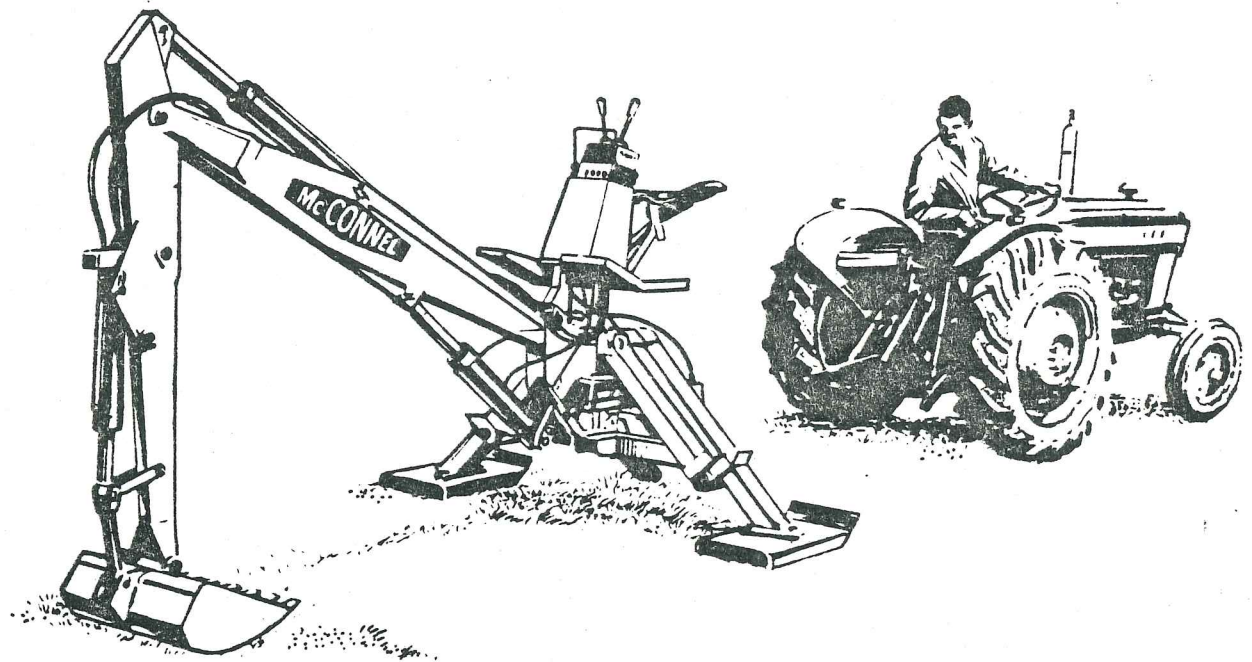
CONTENTS

PAGE

The Spare Parts List for the Dealers Manual detailed below, is extracted from Publication 45, which is issued with each new machine.

Interpretation	5
Main Frame	6 - 7
Main Arm, Upper and Lower Dipper Arm	8 - 9
Dipper Arm, Lower Half Wide, Extra Long	10 - 11
Rear Control Console including optional extra Forward Control Pillar Assembly	12 - 13
Lift, Reach, Bucket and Slew Rams	14 - 15
Deep Profile Digging (heavy duty) Weed and Ditch Cleaning Buckets	16 - 17
Trencher Buckets	18 - 19
Hy-Fi Control Valve, Open Centre, Open/Closed Centre and Closed Centre ...	20 - 21
P.T.O. Pump (Dowty) and Filter Assemblies	22 - 23
Hydraulic Oil Tank Assembly	24 - 25
P.T.O. Pump and Gearbox, Vickers Pump (Keyway & Splined Drive) Plessey Beta 33 Splined Drive	26 - 27
Sheep Drain Bucket & Disc Assembly, Turf Disc	28 - 29
Conversion to Grab, using digger arm	30 - 31
Slew Loader - Model 14(N)	32 - 33
Grab Compact Manure Assembly	34 - 35
Bulk Grab & Beet Grab, Scraper Blade Assembly	36 - 37
Control Cab Assembly, De-Luxe Seat Assembly	38 - 39

McCONNEL S/12 SUPER-C(N) DIGGER/LOADER



USE ONLY McCONNEL SPARE PARTS ON McCONNEL EQUIPMENT AND MACHINES.

To be assured of the latest design improvements, and quality purchase your replacement parts from the original equipment manufacturer, F. W. McConnell.

Improvements in design may have altered some of the parts listed in this catalogue. Whenever a new part is interchangeable with one of an earlier design, the latest part will be supplied.

Always order spare parts from your dealer or stockist quoting the part number, machine type and serial number.

All machine parts, including accessories, are catalogued by a list of part numbers together with a description and an illustrated parts breakdown. To illustrate that you are quoting the correct part number, locate the required item on the illustration, noting the illustration reference number. The illustration reference numbers are listed in numerical order and cross refer to the component part number, description and quantity fitted.

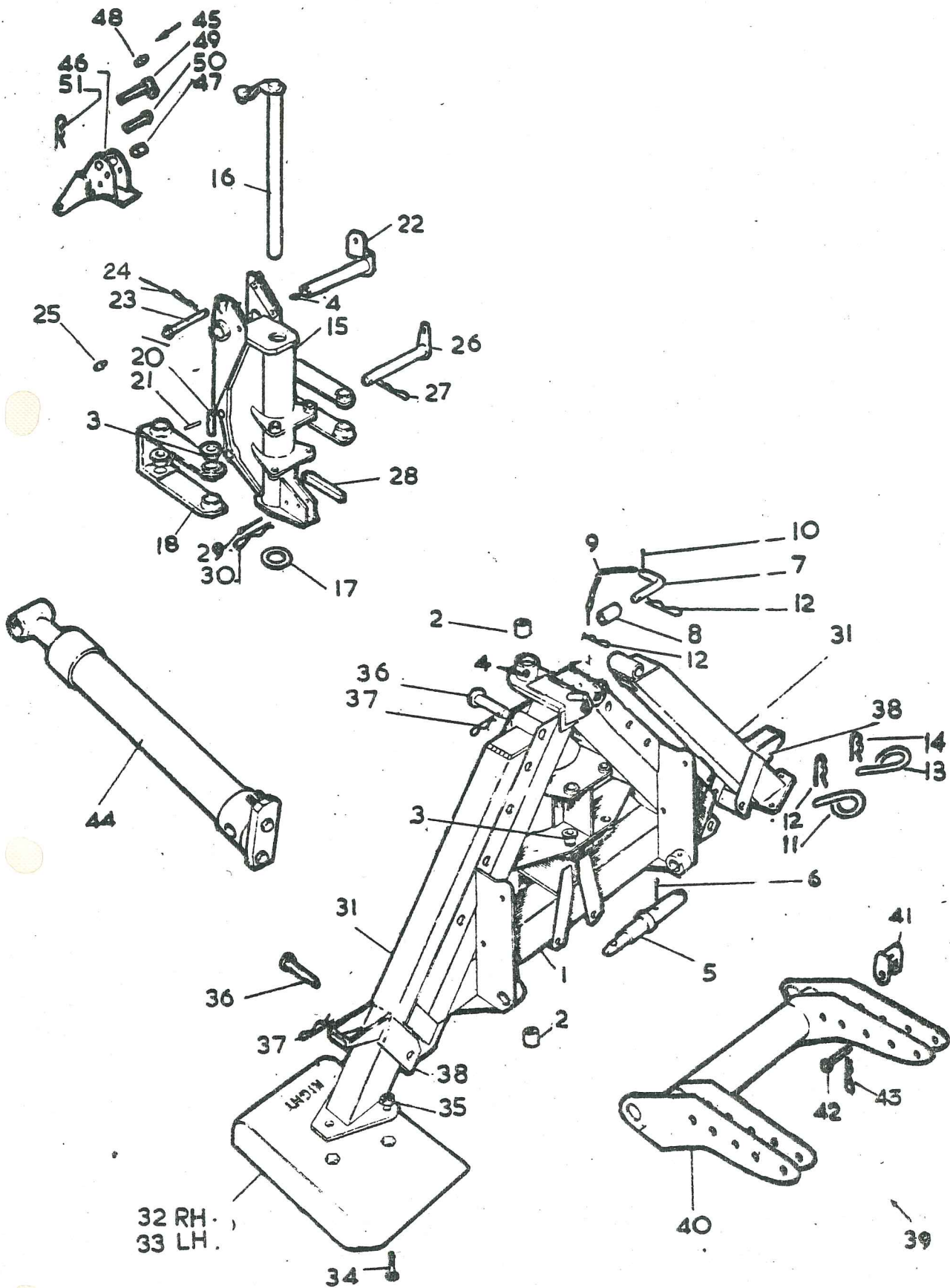
Many spares are supplied as Assemblies or as Sub-assemblies and to help the customer determine the composition of an Assembly the Dot System is used.

The Main Assembly will not show a dot preceding its description and is printed in BLOCK CAPITALS. Subsequent listed parts are preceded by one or more dots until the next major assembly is reached. An increase in the number of preceding dots indicates that the item is an associated part of the preceding item. Whenever the number of dots are decreased by one this indicates the termination of an assembly.

OPERATION AND SPARE PARTS MANUAL

McCONNEL S 12 SUPER-C(N) DIGGER LOADER

MAIN FRAME



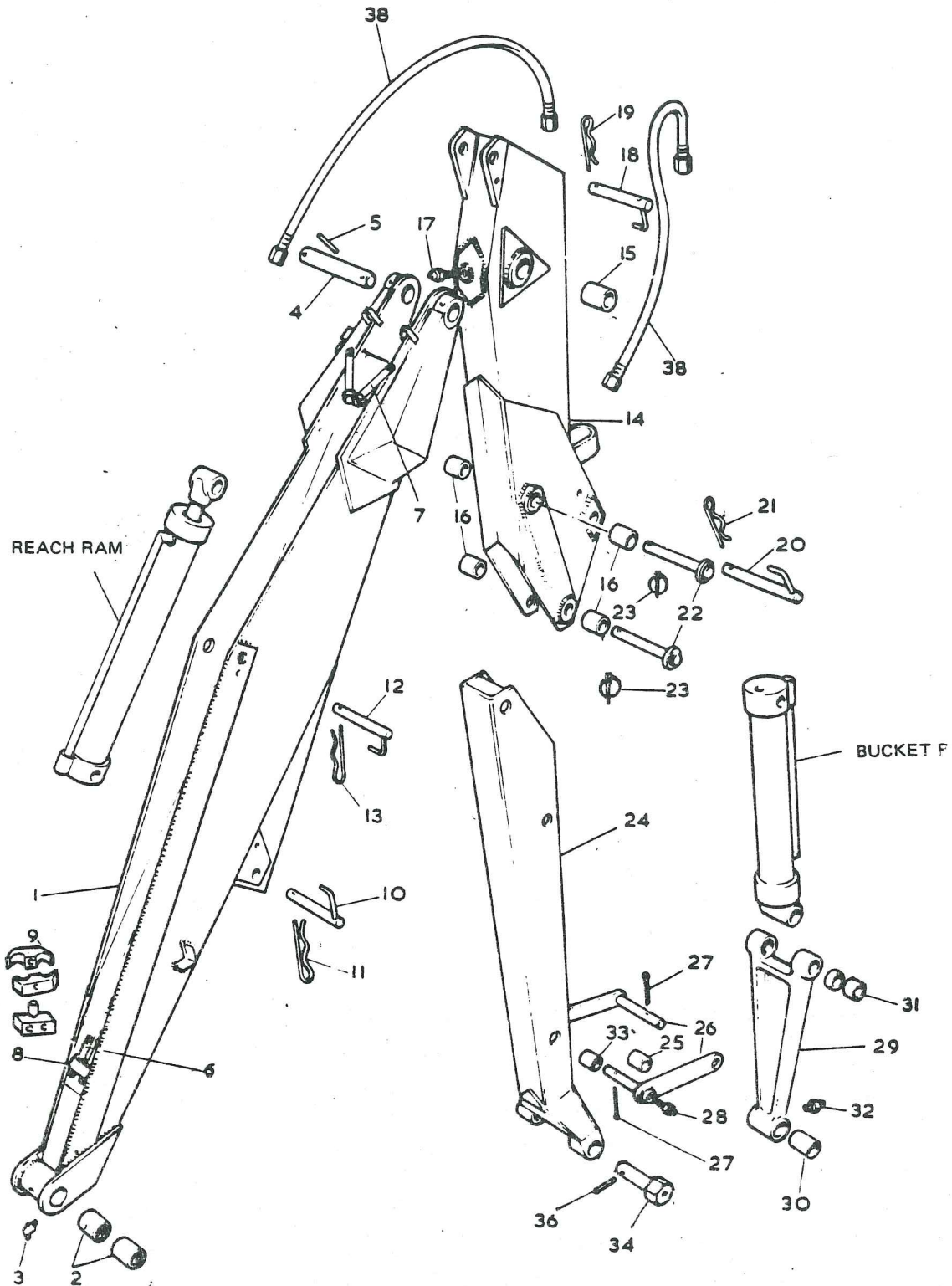
OPERATION AND SPARE PARTS MANUAL

McCONNEL S/12 SUPER-C(N) DIGGER/LOADER

Figure Ref. No.	Part No.	Qty.	Description
	71 02 500		MAIN FRAME ASSEMBLY, comprising:
1	71 02 501	1	. Main Frame c/w Bushes
2	71 02 180	4	.. King Pin Bushes
3	71 02 173	4	.. Slew Ram Bushes
4	09 01 121	2	.. Grease Nipples
5	71 01 261	2	. Linkage Pins c/w Splitpins
6	05 03 205	2	.. 2½" x 3/16" Splitpins
7	14 67 049	1	. Top Hitch Pin c/w Sleeve
8	14 67 063	1	.. Sleeve
9	09 02 106	1	.. Attachment Chain c/w Splitpin
10	05 03 083	2	... 1" x 1/8" Splitpins
11	71 02 204	1	. L.H. Hose Guide c/w Spring Cotter
12	04 31 105	1	.. Spring Cotter
13	71 02 203	1	. R.H. Hose Guide c/w Spring Cotter
14	04 31 105	1	.. Spring Cotter
15	71 02 100 503	1	. Slewing Column
16	71 02 171	1	. King Pin
17	60 01 136	1	. Thrust Washer
18	71 02 172	2	. Slew Link c/w Bushes
19	71 02 173	8	.. Slew Link Bushes
20	71 02 174	4	. Slew Link Pivot Pins c/w Spring Dowels
21	04 22 528	4	.. 1.3/4" x 5/16" Spring Dowels
22	71 01 064	1	. Armhead Pivot Pin c/w Locking Pin & Grease
23	60 09 015	1	.. Locking Pin c/w Spring Cotter
24	04 31 105	1	... Spring Cotter
25	09 01 121	1	.. Grease Nipple
26	71 01 063	1	. Lift Ram Pivot Pin c/w Spring Cotter
27	04 31 105	1	.. Spring Cotter
28	71 01 019	1	. Transport Latch c/w Splitpin and Spring Cotter
29	05 03 206	1	.. 2½" x ¼" Splitpin
30	04 31 105	1	.. Spring Cotter
	71 01 271	1	ADJUSTABLE LEGS & FEET ASSEMBLY, comprising:
31	71 01 272	2	. Adjustable Legs
32	71 01 279	1	. R.H. Skid Foot c/w Bolts and Nuts
33	71 01 280	1	. L.H. Skid Foot c/w Bolts and Nuts
34	02 16 286	6	3¼" x 5/8" UNC Bolts
35	01 16 006	6	.. 5/8" UNC Bolts
36	71 01 042	4	. Leg Pins c/w Spring Cotters
37	04 31 105	4	.. Spring Cotters
38	71 01 041	2	. Leg Straps
39	71 01 273	1	Lift Frame Assembly comprising:-
40	71 01 274	1	. Lift Frame Base
41	71 01 058	2	. Lift Eyes c/w Pins
42	71 01 056	2	.. Lift Eye Pins c/w Spring Cotters
43	04 31 105	2	... Spring Cotter
44	71 02 508	1	Lift Ram Assembly for Details see Ram Spares List
45	71 01 281	1	Lift Booster Assembly comprising:-
46	71 01 282	1	. Lift Booster c/w Bushes
47	68 03 010	2	.. Bush
48	09 01 121	1	.. Grease Nipple
49	71 01 072	1	. Booster Pivot Pin c/w Spring Cotter
50	71 01 073	1	. Booster Locking Pin c/w Spring Cotter
51	04 31 105	2	.. Spring Cotters

OPERATION AND SPARE PARTS MANUAL McCONNEL S/12 SUPER-C(N) DIGGER/LOADER

MAIN ARM



* See pages 10 and 11 for alternative armheads

OPERATION AND SPARE PARTS MANUAL

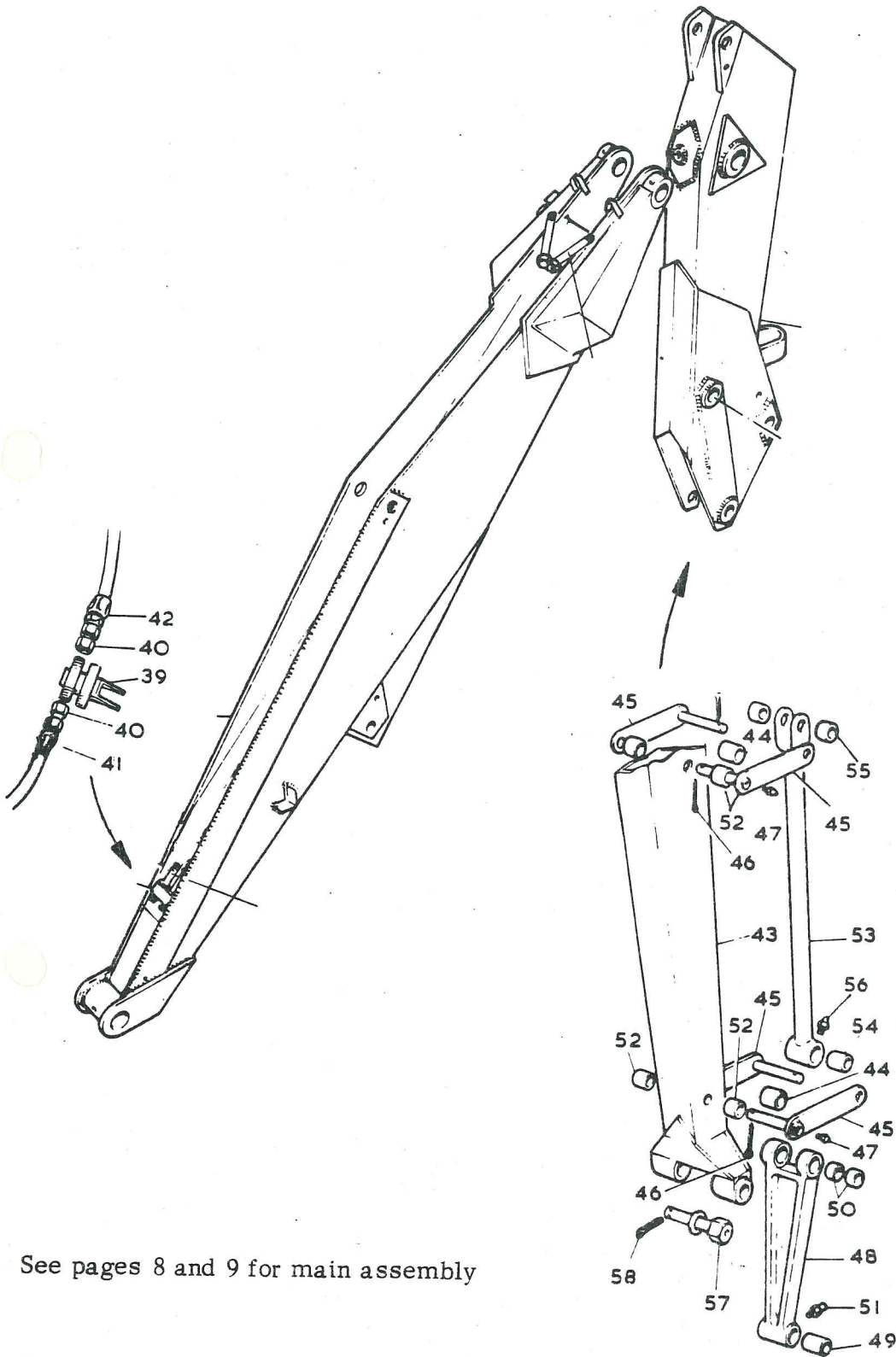
McCONNEL S/12 SUPER-C(N) DIGGER/LOADER

Ref. No.	Part No.	Qty.	Description
	72 12 291		12C(N) MAIN ARM DITCHER TRENCHER ASSEMBLY comprising:-
	72 13 263	1	MAIN ARM ASSEMBLY comprising:-
1	72 13 264	1	. Main Arm c/w Bushes and Greaser
2	71 01 134	2	.. Steel Bush
3	09 01 124	1	.. Greaser
4	71 06 135	1	. Reach Arm Pivot Pin c/w Spirol Pin
5	04 42 632	2	.. 2" x 3/8" dia. Spirol Pin
6	72 13 001	2	. Rigid Pipe
7	72 13 013	2	. 45° J.I.C. Union - Rigid Pipe
8	72 13 003	2	. Union J.I.C. - Rigid Pipe
9	72 12 017	1	Hose Bracket Assembly complete, comprising
	72 12 020	1	. Hose Bracket
	60 12 026	2	. Pipe Clamp - double
	01 61 003	1	. 3/8" UNF Aero Nut
10	71 05 051	1	. Rod End Pin c/w Spring Cotter
11	04 31 105	1	.. Spring Cotter
12	72 12 019	1	.. Ram Base Pin c/w Spring Cotter
13	04 31 105	1	.. Spring Cotter
	72 13 266		DIPPER ARM ASSEMBLY UPPER comprising:-
14	72 13 267	1	. Dipper Arm Upper, c/w Bushes & Greaser
15	71 01 134	2	.. Steel Bush
16	70 12 037	4	.. Joint Pin Bush
17	09 01 124	1	.. Grease Nipple
18	71 05 051	1	. Rod End Pin c/w Spring Cotter
19	04 31 105	1	.. Spring Cotter
20	71 05 033	1	. Ram Base End Pin c/w Spring Cotter
21	04 31 105	1	.. Spring Cotter
22	71 05 032	2	. Arm Joint Pin c/w Linchpin
23	04 31 217	2	.. Linchpin
	72 12 257		DIPPER ARM ASSEMBLY - LOWER HALF WIDE comprising:-
24	71 05 311	1	. Ditcher Arm c/w Bushes
25	70 12 037	2	.. Bush
26	71 05 088	2	. Radius Arm Pin c/w Split Pin & Greaser
27	05 03 165	2	.. Split Pin
28	09 01 121	2	.. Greaser
29	71 05 315	1	. Slave Link c/w Bushes & Greaser
30	71 05 050	1	.. Steel Bush
31	70 12 037	4	.. Steel Bush
32	09 01 121	1	.. Greaser
33	71 05 089	2	.. Sleeve
34	72 13 022	2	. Bucket Pivot Pin c/w Spirol Pin
36	04 42 628	2	.. 1 1/4" x 3/8" dia. Spirol Pin
38	85 11 328	2	. Flexible Hose J.I.C. 32" Long
	71 03 301	1	REACH RAM Complete
	71 03 302	1	BUCKET RAM Complete

* See pages 10 and 11 for alternative armheads

OPERATION AND SPARE PARTS MANUAL McCONNEL S/12 SUPER-C(N) DIGGER/LOADER

DIGGER ARM ASSEMBLY
LOWER HALF WIDE (EXTRA LONG)



* See pages 8 and 9 for main assembly

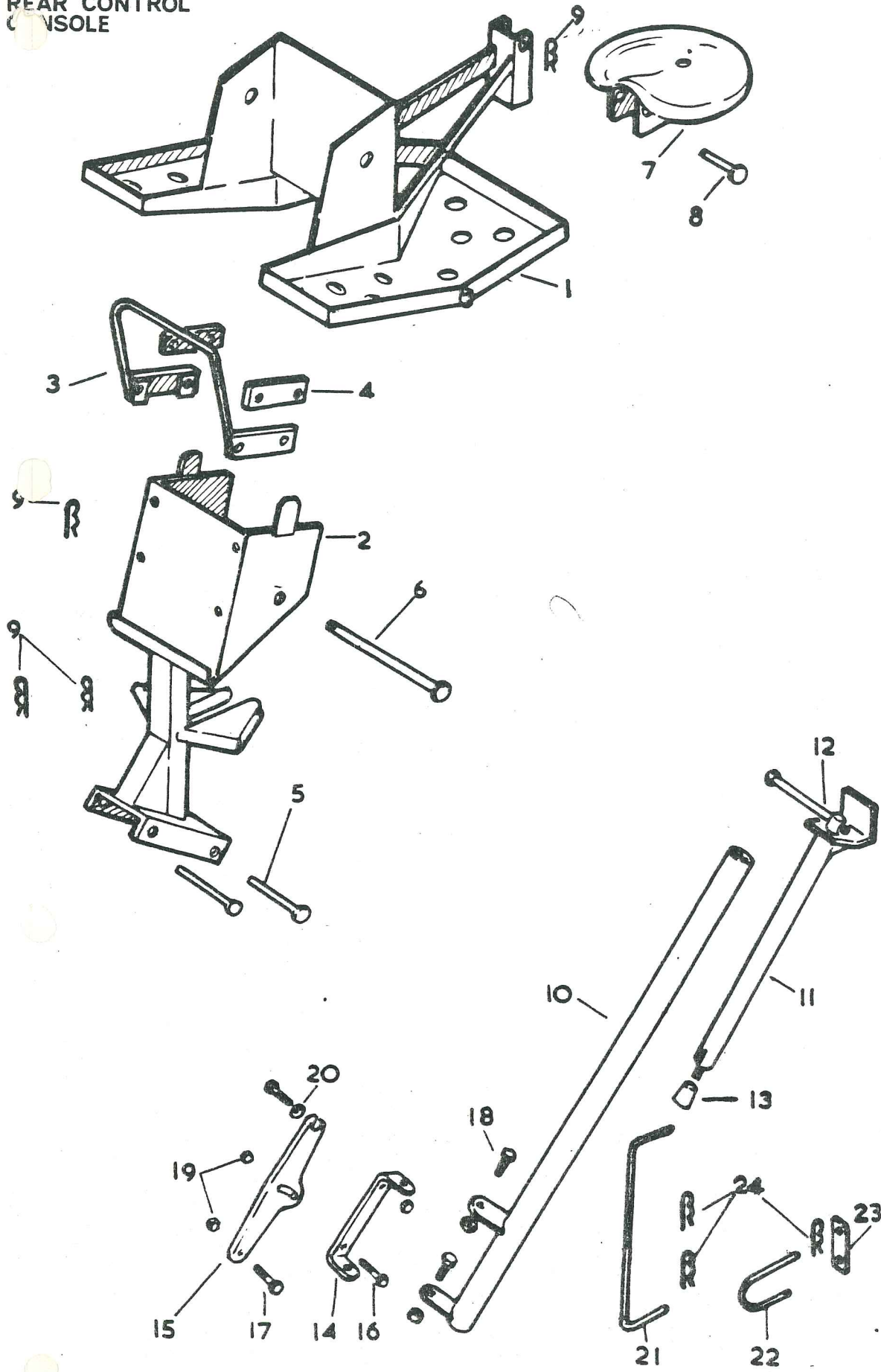
OPERATION AND SPARE PARTS MANUAL McCONNEL S/12 SUPER-C(N) DIGGER/LOADER

<u>Ref. No.</u>	<u>Part No.</u>	<u>Qty.</u>	<u>Description</u>
NOTE: ITEMS 39 - 42 INC. ARE REQUIREMENTS FOR ALTERNATE ARM HEADS.			
	72 12 017		Hose Bracket replaced by:-
39	72 13 252	1	Hose Bracket
40	72 13 003	4	Rigid pipe J.I.C. end fitting
	85 11 768		Standard Reach Ram Hose from H.C.U. replaced by:-
41	85 41 398	2	Flexible Hose J.I.C. 39" Long
42	85 11 328	2	Flexible Hose J.I.C. 32" Long
	72 12 264		DIPPER ARM ASSEMBLY LOWER HALF WIDE (EXTRA LONG) Comprising:-
43	72 12 265	1	Dipper Arm (Extra Long) c/w Bushes
44	70 12 037	4	.. Bush
45	71 05 088	4	.. Radius Arm Pin c/w Split Pin & Greaser
46	05 03 165	4	.. Split Pin
47	09 01 121	4	.. Greaser
48	71 05 315	1	.. Slave Link c/w Bushes & Greaser
49	71 05 050	1	.. Steel Bush
50	70 12 037	4	.. Steel Bush
51	09 01 121	1	.. Greaser
52	71 05 089	6	.. Sleeve
53	72 12 267	1	.. Slave Link (Long) c/w Bushes & Greaser
54	71 05 050	1	.. Steel Bush
55	70 12 037	2	.. Steel Bush
56	09 01 121	1	.. Greaser
57	72 13 022	2	.. Bucket Pivot Pin c/w Spirol Pin
58	04 42 628	2	.. 1 1/4" x 3/8" dia. Spirol Pin

* See pages 8 and 9 for main assembly

OPERATION AND SPARE PARTS MANUAL McCONNEL S/12 SUPER-C(N) DIGGER/LOADER

REAR CONTROL CONSOLE



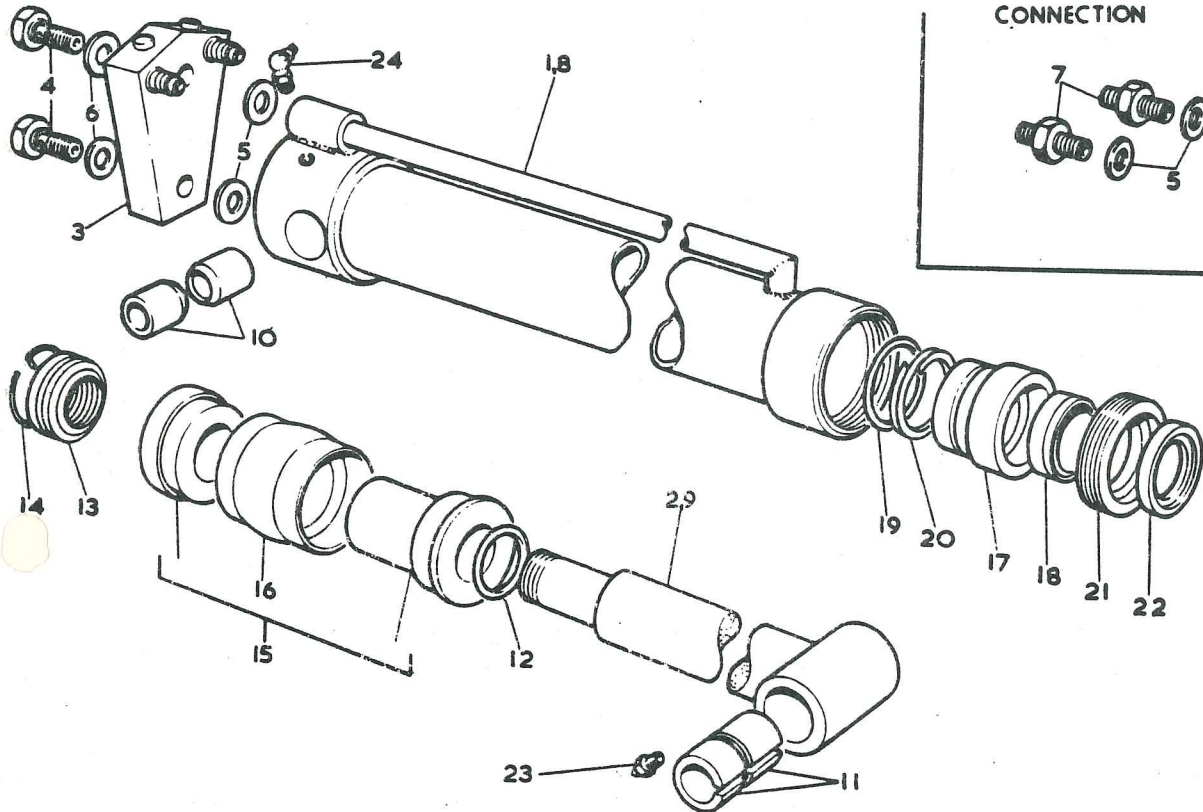
OPERATION AND SPARE PARTS MANUAL
McCONNEL S/12 SUPER-C(N) DIGGER/LOADER

<u>Ref. No.</u>	<u>Part No.</u>	<u>Qty.</u>	<u>Description</u>
	71 02 520	1	REAR CONTROL CONSOLE ASSY comprising:-
1	71 02 521	1	. Seat and Foot Board assembly
2	71 02 522	1	. Valve and Foot Board Pillar assembly
3	71 02 198	1	. Valve Socket
4	71 02 192	2	. Packing Piece
5	60 09 015	1	. Locking Pin c/w Spring Cotter
6	71 03 054	1	. Pin c/w Spring Cotter
7	71 01 277	1	. Seat Pan c/w Pin
8	71 01 065	1	. . Seat Pivot Pin c/w Spring Cotter
9	04 31 105	6	. . Spring Cotter
	*80 01 250	1	Forward Control Pillar Assy. comprising:-
10	80 01 256	1	. Control Box Pillar
11	80 01 253	1	. Control Pillar Extension c/w Clamp Rod and Nut
12	60 00 117	1	. . Clamp Rod c/w Tommy Bar and Nut
13	60 00 140	1	. . . Cone Nut
14	80 01 011	1	. Pillar Support
15	80 01 012	1	. Quadrant Plate
16	02 11 206	1	. 2½" x 5/8" UNF Bolt
17	02 11 166	2	. 2" x 5/8" UNF Bolt
18	02 11 126	2	. 1½" x 5/8" UNF Bolt
19	01 41 006	5	. 5/8" UNF Aero Nuts
20	01 00 106	1	. 5/8" Plain Washer
21	71 02 201	1	. Hose Guide c/w Spring Cotter
22	71 01 021	1	. Hose Guide Small c/w Plate and Spring Cotter
23	71 02 207	1	. . Plate for Hose Guide
24	04 31 105	3	. . Spring Cotter

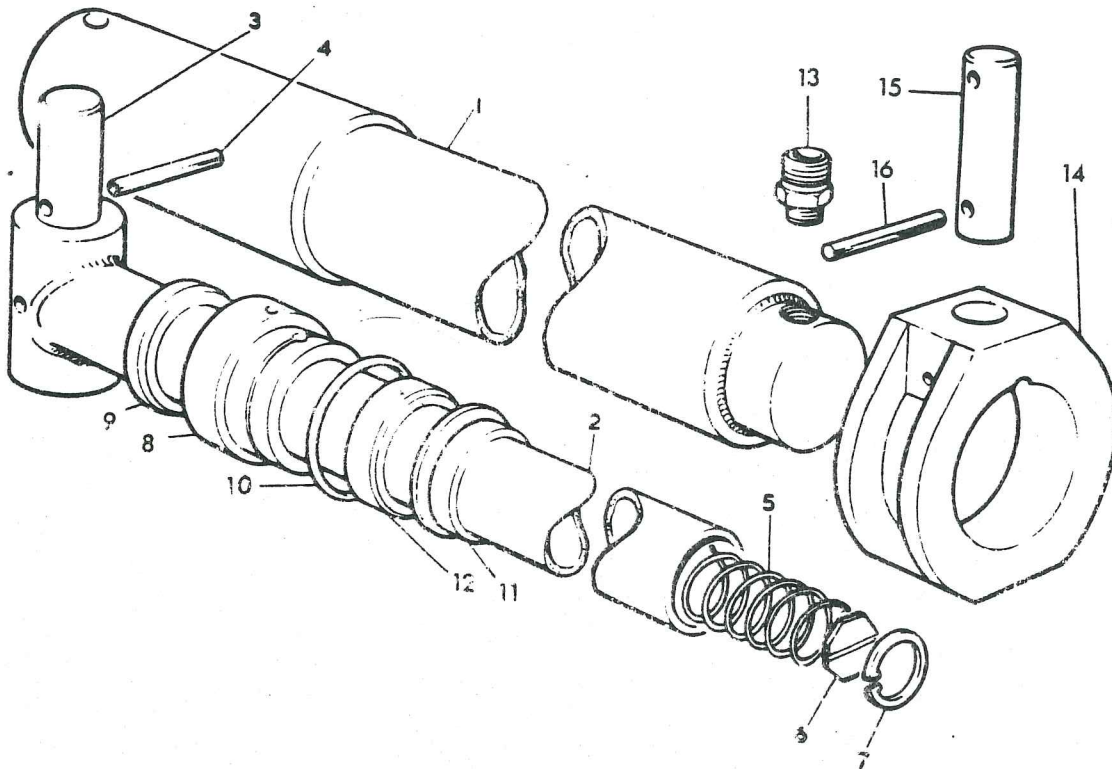
*OPTIONAL EXTRA EQUIPMENT FOR FORWARD CONTROL MOUNTING OF THE HY-FI H.C.U.

OPERATION AND SPARE PARTS MANUAL McCONNEL S/12 SUPER-C(N) DIGGER/LOADER

FT, REACH & BUCKET RAMS



SLEW RAMS



OPERATION AND SPARE PARTS MANUAL

McCONNEL S/12 SUPER-C(N) DIGGER/LOADER

<u>Ref. No.</u>	<u>Part No.</u>	<u>Qty.</u>	<u>Description</u>
	71 02 508	1	LONG STROKE LIFT RAM COMPLETE comprising:-
1	71 03 303	1	. Ram Assembly comprising
2	71 03 304	1	.. Ram Cylinder
3	71 01 095	1	.. Ram Rod c/w Bush, 'O' Ring, Nut & Greaser
4	72 14 262	1	. Lift Ram Base Connection Assy. c/w Banjo Bolts & Seals
5	71 01 079	2	.. Banjo Bolt
6	86 50 103	2	.. 3/8" BSP Bonded Seal
	86 50 104	2	.. 1/2" BSP Bonded Seal
	71 03 301	1	LONG STROKE REACH RAM COMPLETE Comprising:-
1	71 03 303	1	. Ram Assembly comprising:-
2	71 03 303	1	.. Ram Cylinder
5	71 01 095	1	.. Ram Rod c/w Bush, 'O' Ring, Nut & Greaser
7	86 50 103	2	. 3/8" BSP Bonded Seal
	71 03 062	2	. J.I.C. Union
	71 03 302	1	LONG STROKE BUCKET RAM COMPLETE comprising:-
8	72 12 271	1	. Ram Assembly comprising:-
9	72 12 272	1	.. Ram Cylinder
10	72 12 004	1	.. Ram Rod c/w Bush, 'O' Ring & Nut
5	71 01 158	2	.. Sleeve
7	86 50 103	2	. 3/8" BSP Bonded Seal
	71 03 062	2	. J.I.C. Union

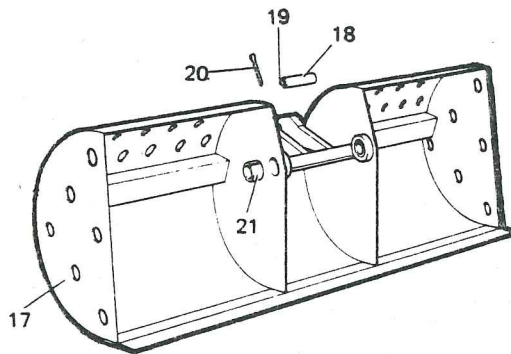
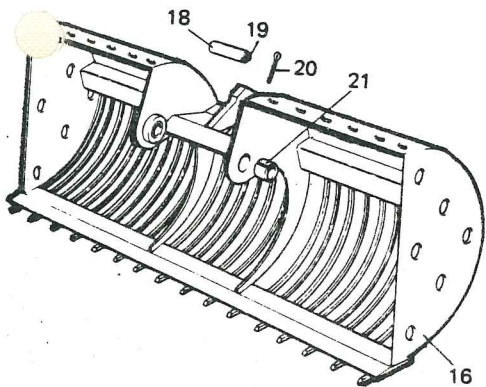
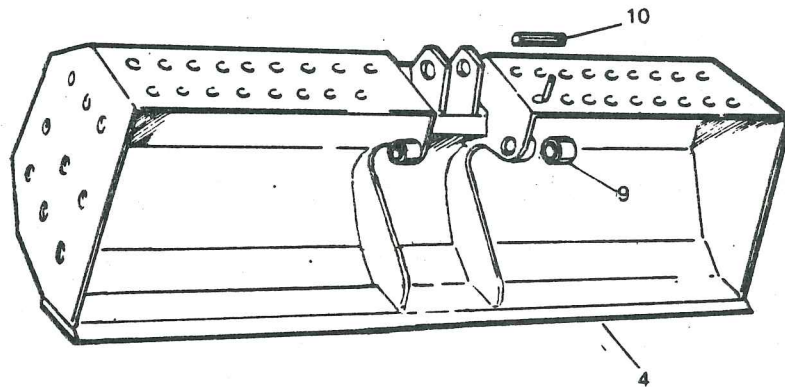
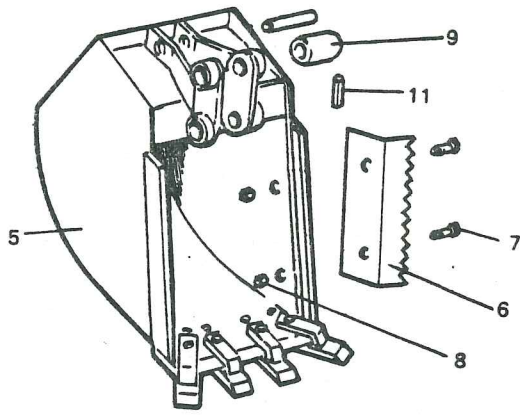
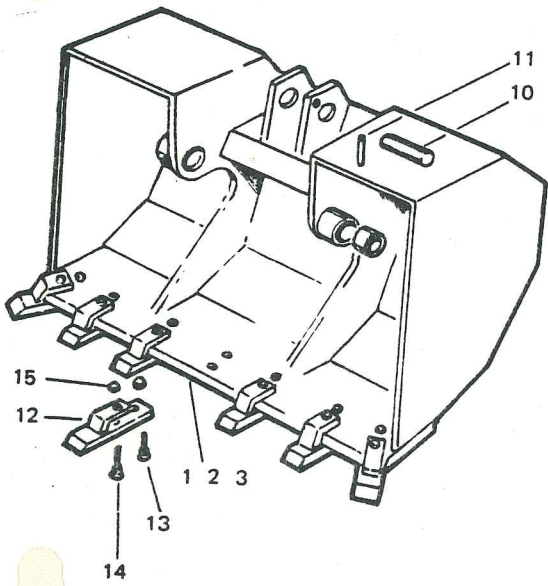
THE FOLLOWING PARTS ARE COMMON TO ALL THREE RAMS:-

11	71 05 050	3	.. Bush - Rod End
12	86 00 119	3	... 'O' Ring for Piston Rod
13	71 01 096	3	... Piston Nut c/w Locking Ring
14	71 01 152	3	... Locking Ring
15	71 01 097	3	.. Piston Assembly c/w Seal
16	86 35 131	3	... Piston Seal
17	71 01 099	3	.. Gland Housing c/w Seal & 'O' Ring
18	86 22 127	3	... Gland Seal
19	86 00 304	3	... 'O' Ring
20	86 09 304	3	... Anti Extrusion Ring
21	71 01 100	3	.. Gland Nut c/w Wiper
22	86 40 328	3	... Piston Rod Wiper
23	09 01 121	3	.. Greaser (Straight)
24	09 01 124	3	.. Greaser (Angular)
	86 99 102		Seal Kit for all 2 1/4" Bore Rams.

<u>Ref. No.</u>	<u>Part No.</u>	<u>Qty.</u>	<u>Description</u>
1	71 02 509	2	SLEW RAMS COMPLETE comprising:-
2	71 02 505	2	. Slew Ram Cylinders
3	71 02 506	2	. Ram Rods c/w Pivot Pins & Cushions Etc.
4	71 02 176	2	. Rod Pivot Pins c/w Spring Dowels
5	04 22 528	2	... 1 1/4" x 5/16" dia. Spring Dowels
6	71 05 019	2	.. Springs
7	71 05 020	2	.. Cushion Plates
8	04 17 119	2	.. Spring Fasteners
9	71 01 029	2	. Slew Ram Head Bushes c/w Wipers
10	86 40 230	2	.. Piston Rod Wipers
11	71 01 030	2	. Locking Wires
12	71 01 031	2	. Slew Ram Insert
13	86 12 132	2	. Gland Seal
14	71 03 061	2	. Double Male Union
15	71 02 507	2	Slew Ram Trunnion c/w Pins
16	71 02 177	4	. Slew Ram Pivot Pins c/w Spring Dowels
	04 22 528	4	... 1 1/4" x 5/16" dia. Spring Dowels
	86 99 103		Seal Kit

OPERATION AND SPARE PARTS MANUAL McCONNEL S/12 SUPER-C(N) DIGGER/LOADER.

DEEP PROFILE DIGGING (HEAVY DUTY), WEED AND DITCH CLEANING BUCKETS



OPERATION AND SPARE PARTS MANUAL McCONNEL S/12 SUPER-C(N) DIGGER/LOADER

<u>Ref. No.</u>	<u>Part No.</u>	<u>Qty.</u>	<u>Description</u>
1	72 13 271	1	24" (Heavy Duty) Bucket complete
2	72 13 272	1	30" (Heavy Duty) Bucket complete
3	72 12 280	1	36" (Heavy Duty) Bucket complete
4	72 13 279	1	60" (Light Ditch) Bucket complete
5	72 13 288	1	18"/20" (Heavy Duty) Bucket complete (Optional extra).
6	72 12 072	2	. Side Lip Extention c/w Bolts and Nuts
7	02 11 134	4	. . 1.5/8" x 7/16" UNF Hex. Bolt c/w Nut
8	01 41 004	4	. . . 7/16" UNF Aeronut

THE FOLLOWING PARTS ARE COMMON TO ALL DEEP PROFILE BUCKETS

9	72 13 023	2	. . Bucket Pivot Bush
10	72 13 021	1	. Rod Pivot Pin
11	04 22 824	1	. 1½" x ½" dia. Spring Dowel

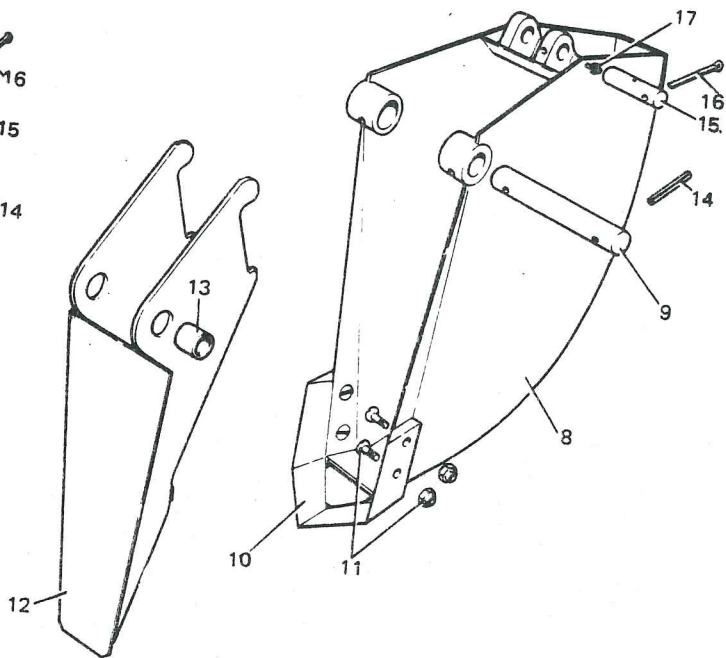
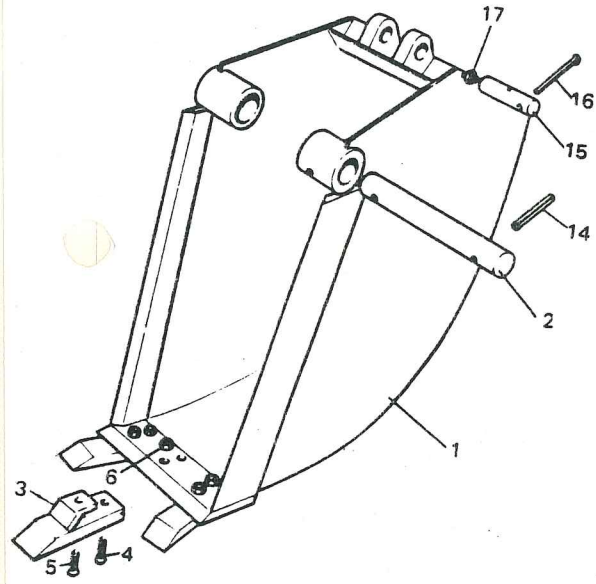
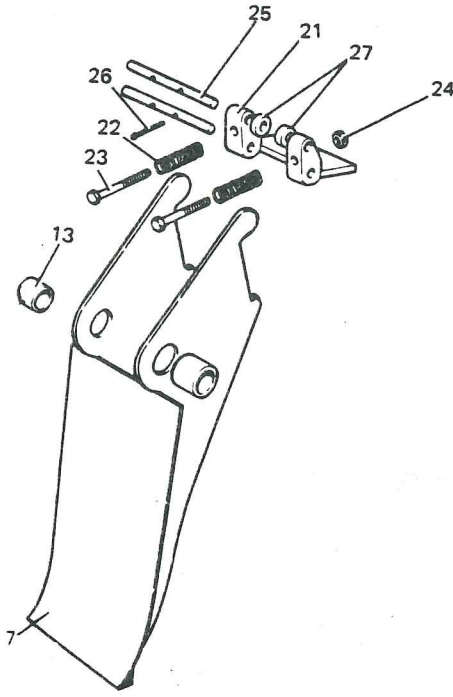
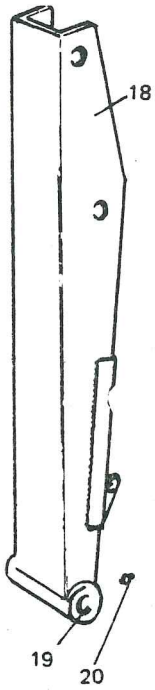
THE FOLLOWING ARE VARIABLE QUANTITIES OF
TINES AND BOLTS REQUIRED FOR EACH BUCKET

		24"	30"	36"	18/20"	
12	60 12 073	6	8	9	4	. Bucket Tine c/w Bolts and Nuts
13	60 12 034	6	8	9	4	. . Tine Bolt (Short) c/w Nut
14	60 12 074	6	8	9	4	. . . Tine Bolt (Long) c/w Nut
15	01 12 004	12	16	18	8	. . . 7/16" UNC Nut

16	70 12 286	1	48" Weed Bucket Assembly
17	70 12 278	1	48" Ditch Cleaning Bucket Assy.
18	60 12 051	1	. Rod Pivot Pin c/w Splitpin
19	09 01 021	1	. . Grease Nipple
20	05 03 246	1	. . 3" x ½" dia. Splitpin
21	60 12 032	2	. Bucket Pivot Bush

OPERATION AND SPARE PARTS MANUAL McCONE S/12 SUPER-C(N) DIGGER/LOADER

TRENCHER BUCKETS



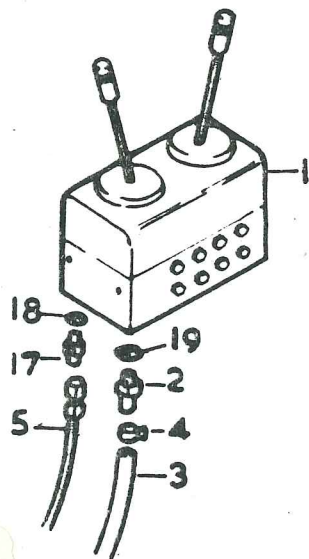
OPERATION AND SPARE PARTS MANUAL

McCONNEL S/12 SUPER-C(N) DIGGER/LOADER

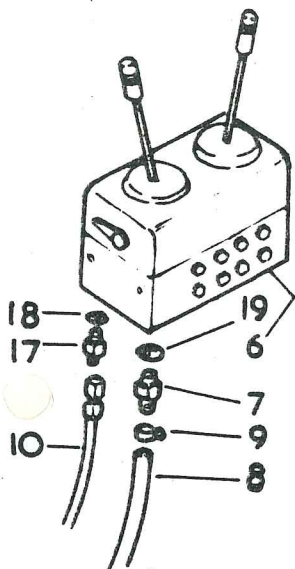
<u>Ref. No.</u>	<u>Part No.</u>	<u>Qty.</u>	<u>Description</u>
1	70 12 290	1	11" TRENCHER BUCKET ASSEMBLY COMPLETE comprising:-
2	70 12 061	1	. 11" Bucket Pivot Pin c/w Spring Dowels
3	60 12 073	3	. Bucket Tine c/w Tine Bolts & Nuts
4	60 12 074	3	. . Tine Bolt
5	60 12 034	3	. . Tine Bolt long
6	01 12 004	6	. . Plain Nut, UNC 7/16"
7	70 12 294	1	. Ejector Plate
	70 12 072	2	. Cheek Plate c/w Bolts & Nuts (Optional extra as 18"/20")
8	70 12 258	1	. 5½" TRENCHER BUCKET ASSEMBLY COMPLETE comprising:-
9	70 12 036	1	. . 5½" Bucket Pivot Pin c/w Spring Dowels
10	70 12 263	1	. 5½" Vee Shoe c/w Bolts & Nuts
11	70 12 030	4	. . Shoe Bolts & Nuts
12	70 12 261	1	. Ejector Plate
THESE PARTS ARE COMMON TO BOTH ASSEMBLIES			
13	60 12 032	2	. . Bucket Pivot Bush
14	04 22 632	2	. . . Spring Dowels
15	60 12 025	1	. Rod Pivot Pin c/w Splitpin & Greaser
16	05 03 206	1	. . Splitpin, 2½" x ¼"
17	09 01 121	1	. . Greaser
18	71 05 321	1	DIPPER ARM LOWER HALF (NARROW) c/w BUSHES
19	60 12 032	2	. Bucket Pivot Bush
20	09 01 124	1	. Greaser
	70 12 040	1	EJECTOR LATCH ASSEMBLY comprising:-
21	70 12 039	1	. Ejector Latch
22	60 00 110	2	. . Spring
23	02 11 183	2	. . Bolt, UNF 2¼" x 3/8"
24	01 61 003	2	. Nut - Nyloc, UNF 3/8"
25	70 12 041	2	. Latch Pivot Pin c/w Splitpins
26	05 03 085	4	. . Splitpin, 1" x 3/16"
27	72 12 016	2	. Ejector Roller

OPERATION AND SPARE PARTS MANUAL McCONNEL S/12 SUPER-C(N) DIGGER/LOADER.

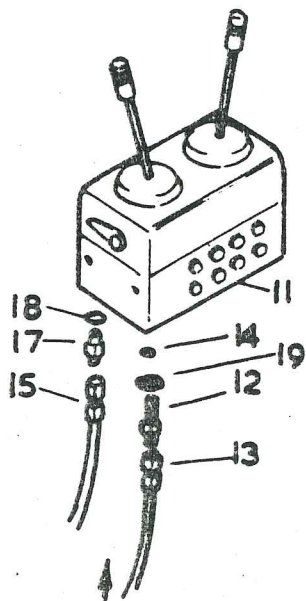
HY-FI CONTROL VALVE



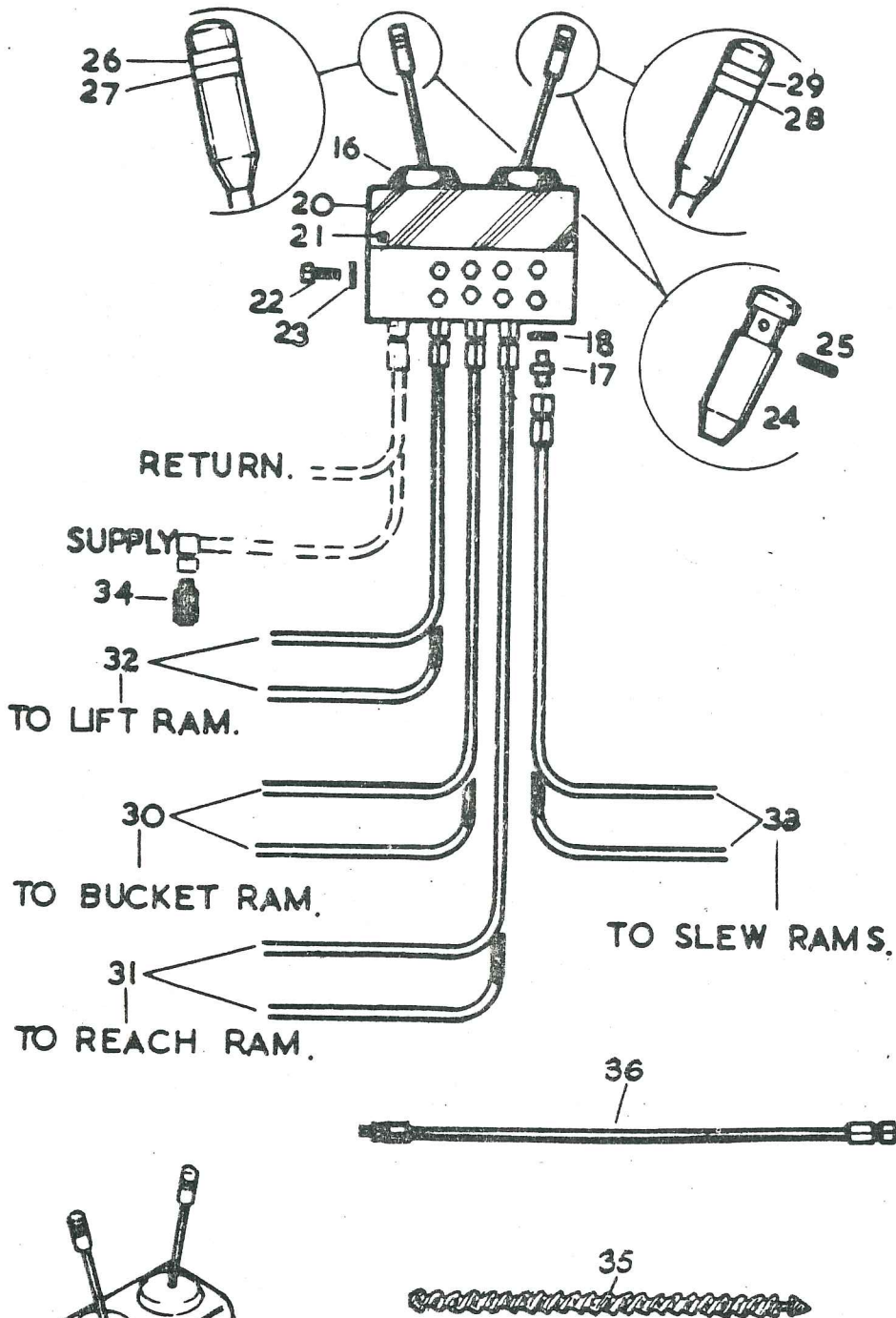
80-09-250



80-09-254



80-09-255



704

OPERATION AND SPARE PARTS MANUAL

McCONNEL S/12 SUPER-C(N) DIGGER/LOADER

Open Centre Hy-Fi Valve:-

For machines with P.T.O. driven pump units (no lever on end face of valve)

	80 09 250		ASSEMBLY OF 2-4S HY-FI OPEN CENTRE VALVE C/W HOSES
1	81 14 400	1	. 2-4S HY-FI Valve Assy. (Open Centre)
2	81 14 015	1	. . Return Connection
3	85 95 065	1	. 5/8" Bore x 65" Return Hose c/w Clips
4	09 04 204	2	. . Hose Clips
5	85 31 598	1	. Flexible Hose 59" (Supply Line)

Open/Closed Centre HY-FI Valve:- Using Tractor Pump on Open Centre Hydraulic Systems (Lever on End of HY-FI Valve)

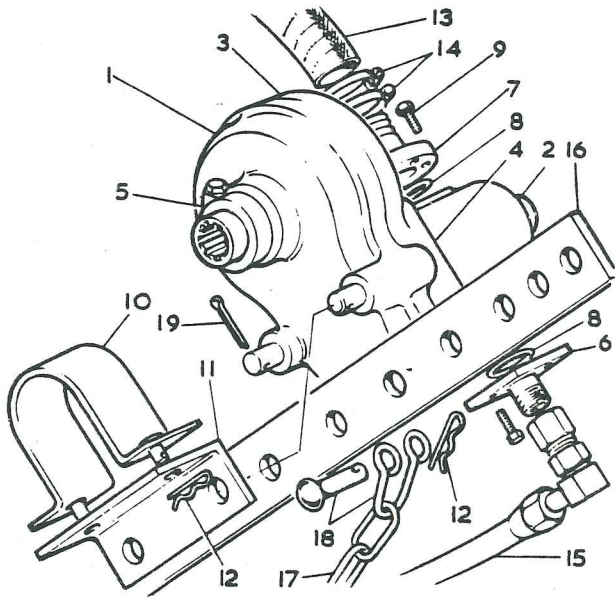
	80 09 254		ASSEMBLY OF 2-4S HY-FI OPEN/CLOSED CENTRE VALVE C/W HOSES
6	81 18 400 ✓	1	. 2-4S HY-FI Assy. (Open/Closed Centre)
7	81 14 015	1	. . Return Connection
8	85 95 120 ✓	1	. 5/8" Bore x 120" (Return Hose c/w Clips
9	09 04 204	2	. . Hose Clips
10	85 11 018 ✓	1	. Flexible Hose 106" (Supply Line)
11	81 14 403	1	. 2-4S HY-FI Assy. (Closed Centre)

Closed Centre Valve:- For Machines using Tractor Pump, on John Deere or other Tractors with Closed Centre System (Lever on end of Valve) This is an Open/Closed Centre Valve but must be used in closed Position.

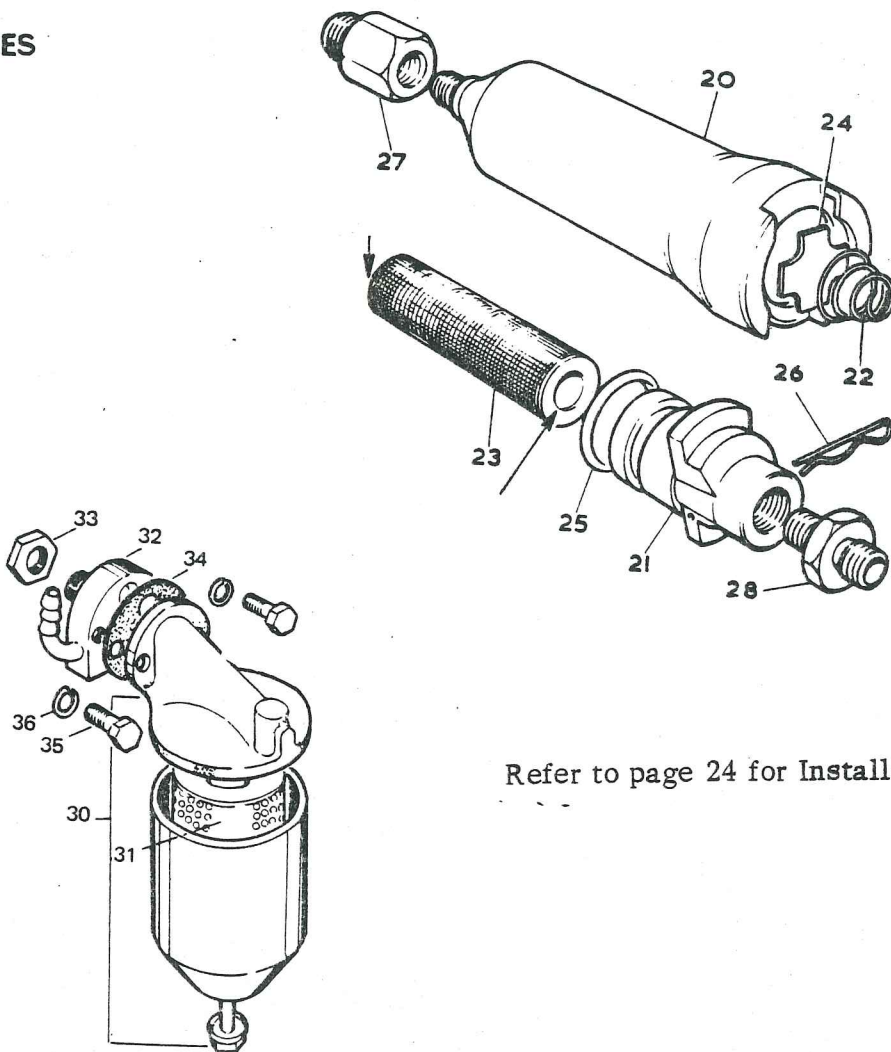
	80 09 255		ASSEMBLY OF 2-4S HY-FI CLOSED CENTRE VALVE C/W HOSES
11	81 14 403	1	. 2-4S HY-FI Assy. (Closed Centre)
12	81 18 007	1	. . Return Adaptor
13	85 01 018 ✓	1	. 5/8" Bore x 106" Return Hose c/w 'O' Rings
14	81 18 008	2	. . 'O' Rings
15	85 11 018 ✓	1	. Flexible Hose 106" Long (Supply Line)
16	81 14 028	2	. . Lever Boot
17	71 03 062	9	. . Double Male Union 3/8" BSP - 3/4" JIC
18	86 50 103	9	. . 3/8" BSP Bonded Seal
19	86 50 218	1	. . 1.1/8" Dia. Bonded Seal
20	81 14 255	1	. . Cover c/w Screws
21	81 14 057	4	. . . Screws
22	02 12 143	4	. . 1 3/4" Long x 3/8" UNC Hex Bolt
23	01 00 203	4	. . 3/8" Dia. Spring Washer
24	81 14 053	2	. . Knob c/w Spring Dowel
25	04 20 812	2	. . . Spring Dowel
26	81 14 060	1	. . Ring (Yellow)
27	81 14 061	1	. . Ring (Green)
28	81 14 062	1	. . Ring (Red)
29	81 14 063	1	. . Ring (Black)
30	85 11 398 ✓	2	. Flexible Hose 39" Long (Bucket Ram)
31	85 11 768 ✓	2	. Flexible Hose 76" Long (Reach Ram 12C(N) only)
	85 11 398 ✓	2	. Flexible Hose 39" Long (Replaces item 31 for A/H. 14)
32	85 11 608 ✓	2	. Flexible Hose 60" Long (Lift Ram)
33	85 31 518 ✓	2	. Flexible Hose 51" Long (Slew Rams)
34	72 13 003	1	. M.F. JIC End Fitting for Filter
35	71 02 208	2	. Plastic Clips for Hoses.
			The following Hoses are an optional extra when fitting Forward Control
36	85 21 608	8	Flexible Hose M.F. 60" Long
	86 99 114		2-4S Hy-fi Seal Kit

OPERATION AND SPARE PARTS MANUAL McCONNEL S/12 SUPER-C(N) DIGGER/LOADER.

T.O. PUMP (DOWTY)



FILTER ASSEMBLIES



Refer to page 24 for Installation

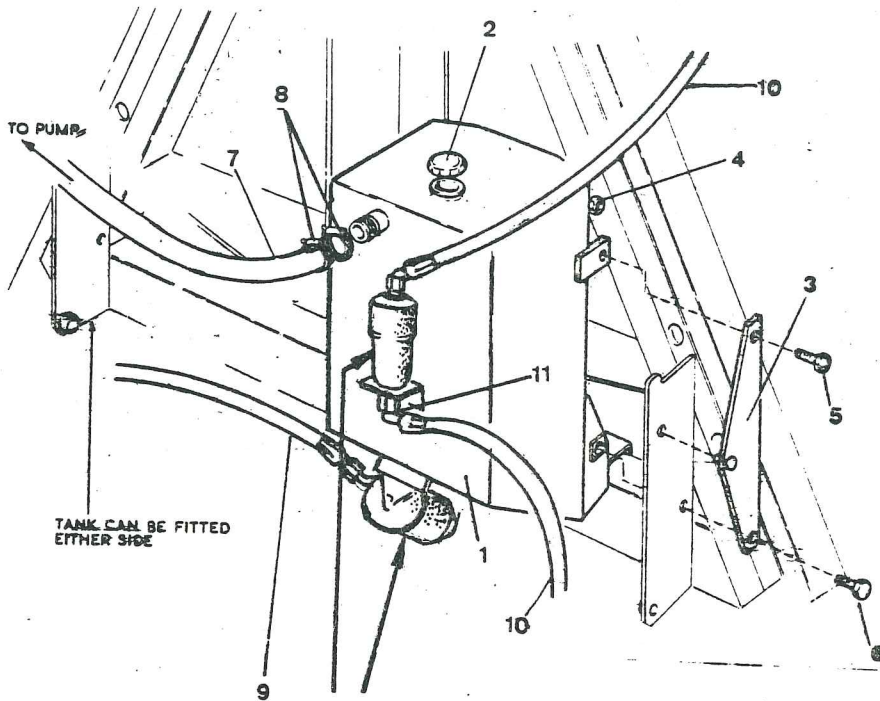
OPERATION AND SPARE PARTS MANUAL

McCONNEL S/12 SUPER-C(N) DIGGER/LOADER

	80 10 250		PUMP AND FITTINGS ASSEMBLY COMPLETE, comprising:-
1	82 01 630	1	. P.T.O. Gear Pump Assembly
2	82 01 626	1	.. Pump Shaft Seal
3	82 01 627	1	.. Large Flange Gasket
4	82 01 628	1	.. Small Gasket
5	82 01 100	1	.. Splined Coupling (Plunger)
6	80 05 016	1	.. Pressure Connection (J.I.C.) c/w 'O' Ring & Setscrews :
7	80 05 009	1	.. Suction Connection c/w 'O' Ring & Setscrews
8	86 00 405	2	... 'O' Ring for 80-05-016 and 80-05-009
9	03 12 082	8	... 1" x 5/16" unc Setscrew
10	80 05 005	1	. Guard for Pump Coupling
11	80 05 006	1	. Guard Mounting Bracket
12	04 31 105	2	. Spring Cotter
13	85 00 842	1	. Suction Hose c/w Clips
14	09 04 106	4	.. Hose Clips
15	85 31 808	1	. Flexible Hose 80" long, Supply
	80 05 001	1	. Torque Bar & Chain complete, Comprising:-
16	80 05 002	1	.. Torque Bar
17	09 02 312	1	.. Chain
18	60 00 087	1	. Shackle Assembly
19	05 03 063	1	. 3/4" x 1/8" Splitpin
	84 01 251	1	FILTER ASSEMBLY complete, comprising:-
20	84 01 001	1	. Filter Body
21	84 01 002	1	. Bayonet End Cap
22	84 01 003	1	. Compression Spring
23	84 01 004	1	. Filter Element
24	84 01 005	1	. Stop
25	86 00 121	1	. 'O' Ring
26	04 31 105	1	. Spring Cotter
27	72 13 003	1	. M & F J.I.C. Union
28	71 03 061	1	. Double Male J.I.C. Union
			RETURN LINE—
29	71 03 290	1	FILTER ASSEMBLY, complete, comprising:-
30	71 03 291	1	. Filter Assy. c/w Element
31	71 03 102	1	.. Filter Element
32	71 03 292	1	. Filter Mounting Plate c/w Locknut
33	71 03 104	1	.. Locknut
34	71 03 100	1	. Gasket
35	03 11 104	2	. 1 1/4" x 7/16" UNF Setscrew
36	01 00 204	2	. 7/16" Spring Washer

OPERATION AND SPARE PARTS MANUAL
McCONNEL S/12 SUPER-C(N) DIGGER/LOADER

HYDRAULIC OIL TANK

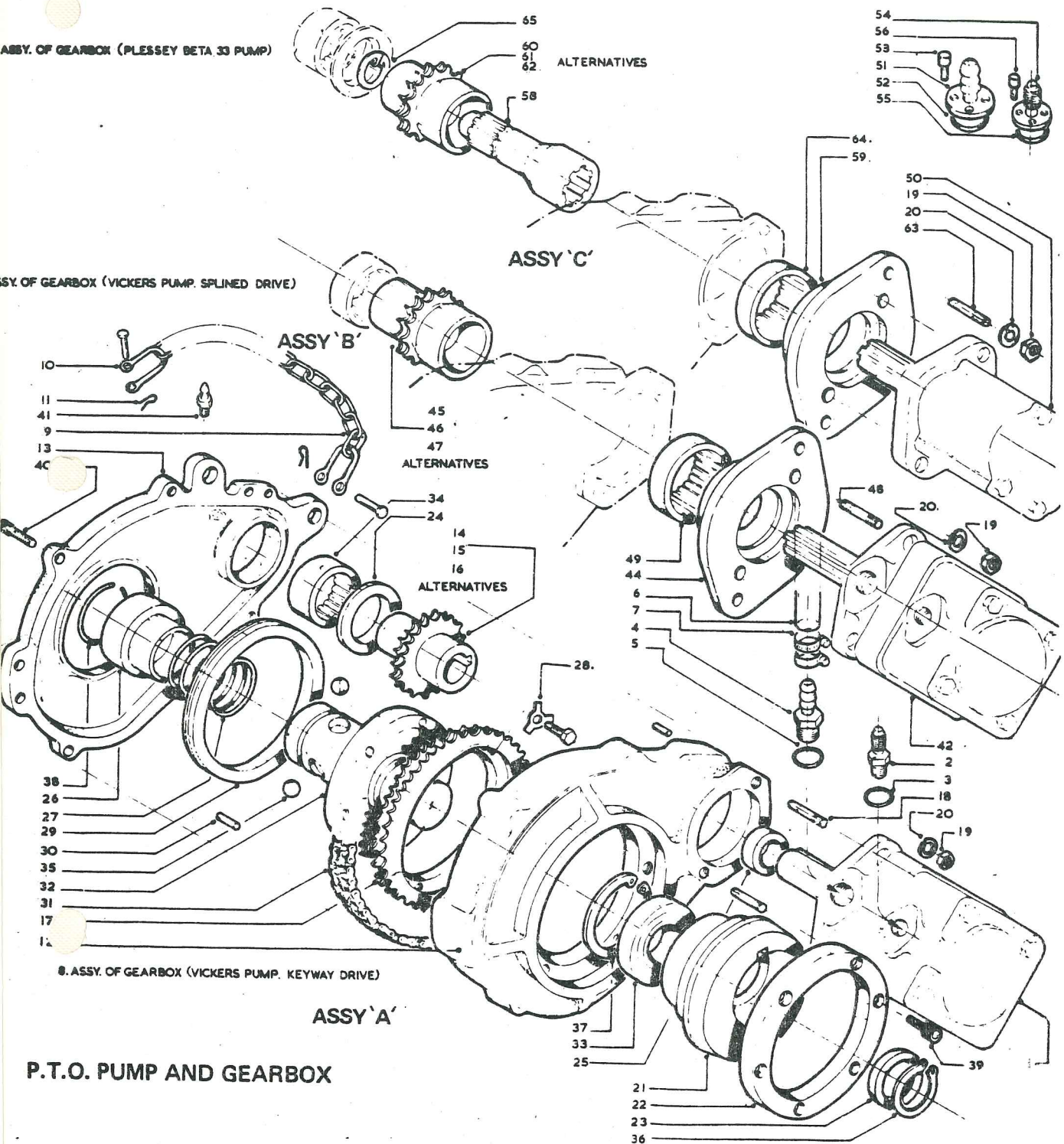


Refer to pages 22 & 23,
Filter Assemblies

OPERATION AND SPARE PARTS MANUAL
McCONNEL S/12 SUPER-C(N) DIGGER/LOADER

<u>Ref. No.</u>	<u>Part No.</u>	<u>Qty.</u>	<u>Description</u>
		1	HYDRAULIC OIL TANK ASSY. comprising:-
1	71 02 300	1	. Tank
2	71 03 089	1	. Plastic Filler Cap
3	71 01 132	1	. Attachment Plate
4	01 41 006	2	. 5/8" UNF Aeronut
5	02 11 126	1	. 5/8" UNF Bolt x 1½" long
6	02 11 166	1	. 5/8" Bolt x 2" long
7	85 00 842	1	Suction Hose c/w Clips
8	09 04 106	2	. Hose Clips
9	85 95 065	1	Flexible Hose 65" long c/w clips
10	85 31 598	2	Flexible Hose 59" long
11	72 13 003	1	M.F. J.I.C. Union

OPERATION AND SPARE PARTS MANUAL McCONNEL S/12 SUPER-C(N) DIGGER/LOADER



P.T.O. PUMP AND GEARBOX

Ref. No.	Part No.	Qty.	Description
ASSY 'A'	80 12 250	1	GEAR BOX AND PUMP ASSEMBLY (VICKERS PUMP KEY-WAY DRIVE)
			comprising:-
1	82 01 300	1	. Vickers Pump (Key-way Drive)
2	82 05 018	1	... Outlet Connection
3	86 00 403	1	.. 'O' Ring for Outlet
4	81 05 019	1	.. Inlet Connection
5	86 00 412	1	.. 'O' Ring for Inlet
6	85 00 842	1	.. Suction Hose c/w Clips
7	09 04 106	1	... Hose Clip
8	71 03 320	4	. Gearbox Assy. (Key-way Drive)
9	09 02 330	1	.. Heavy Chain
10	60 00 087	2	.. Shackle c/w Spring Cotter

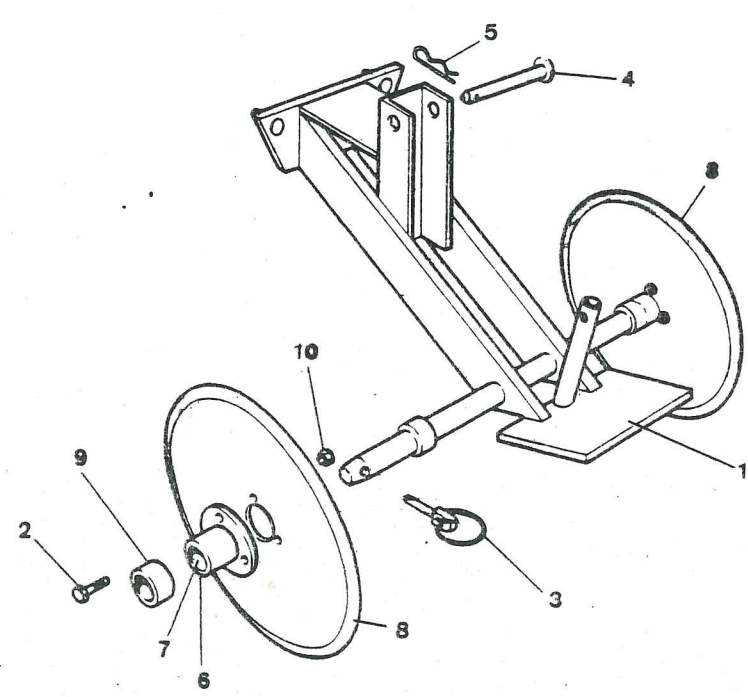
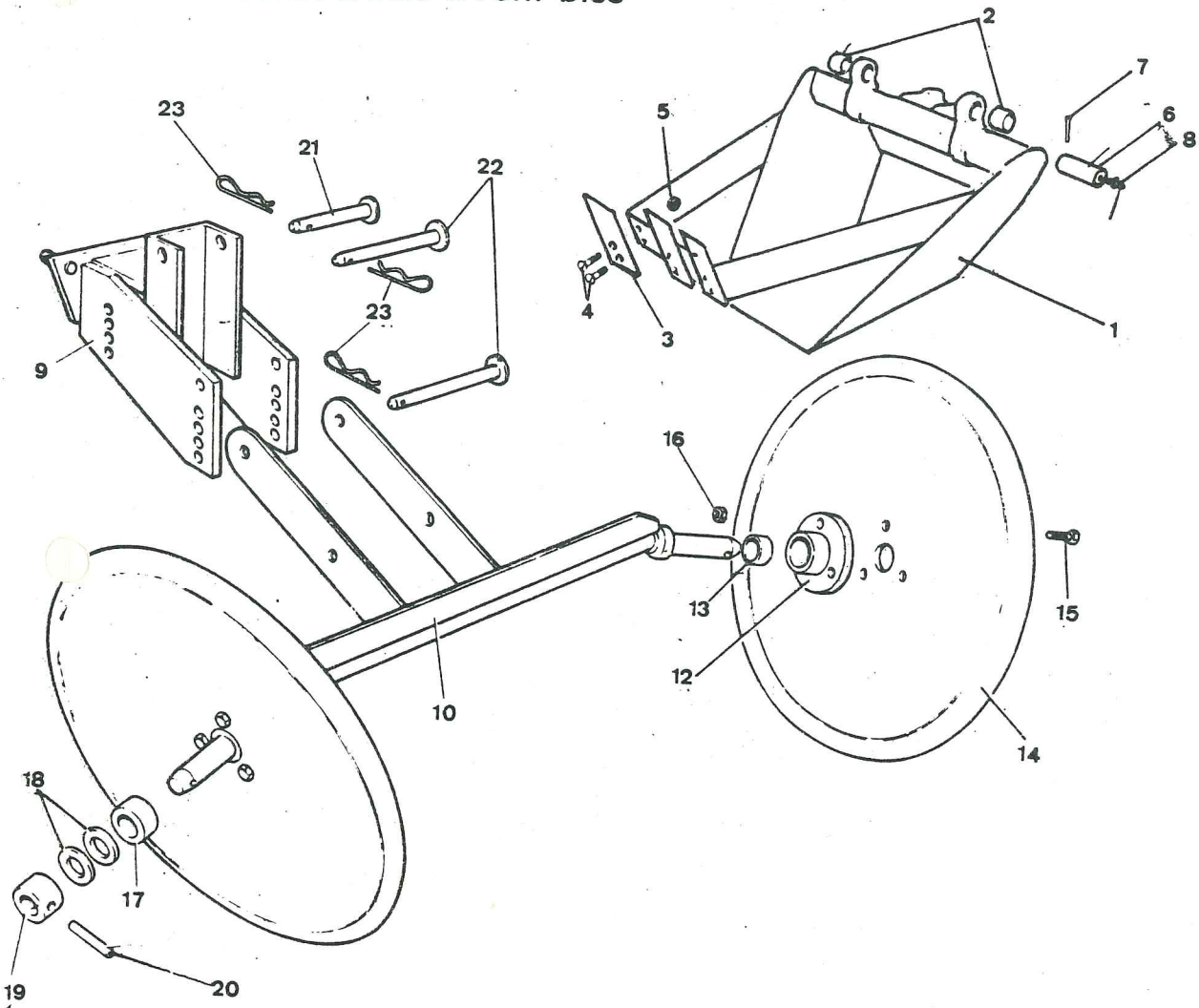
OPERATION AND SPARE PARTS MANUAL

McCONNEL S/12 SUPER-C(N) DIGGER/LOADER

Ref. No.	Part No.	Qty.	Description
11	04 31 104	2	... Spring Cotter
12	80 12 260	1	.. Case
13	80 12 261	1	.. Cover
14	80 12 001	1	.. Sprocket, 11T)
15	80 12 002	1	.. Sprocket, 13T) Alternatives
16	80 12 003	1	.. Sprocket, 15T)
17	80 12 004	1	.. Sprocket
18	80 12 009	2	.. Stud
19	01 11 004	2	.. 7/16" UNF Nut
20	01 00 204	2	.. Spring Washer
21	80 12 010	1	.. Eccentric Sleeve
22	80 12 001	1	.. Locking Ring
23	80 12 012	1	.. Bearing Spacer
24	80 12 013	1	.. Sprocket Spacer
25	80 12 014	1	.. Pump Spacer
26	80 12 015	1	.. Ball Retainer
27	80 12 016	1	.. Ball Retainer Spring
28	80 12 017	6	.. Tab Washer
29	80 12 018	1	.. 'V' Ring Oil Seal
30	80 12 019	2	.. 1/2" x 5/16" dia. Dowel
31	80 12 020	1	.. Chain
32	80 12 262	1	.. Take Off Shaft
33	06 03 635	1	.. Bearing (Ball)
34	06 00 008	1	.. Bearing (Needle Roller)
35	09 05 116	3	.. Ball, 1/2" dia.
36	04 01 122	1	.. Circlip
37	04 11 272	1	.. Circlip
38	04 05 134	1	.. Circlip
39	03 42 052	6	.. 5/8" x 5/16" UNC Cap Head Screw
40	03 42 082	13	.. 1" x 5/16" UNC Cap Head Screw
41	09 01 111	1	.. Grease Nipple, 1/4" BSF
ASSY 'B'	80 12 252	1	GEAR BOX & PUMP ASSEMBLY, (VICKERS PUMP, SPLINE DRIVE) comprising:
42	82 01 301	1	.. Vickers Pump (Spline Drive)
43	71 03 321	1	.. Gearbox Assy (Spline Drive), comprising items as Main List with following alterations:-
44	80 13 006	1	.. Adaptor Sleeve (Additional)
45	80 12 005	1	.. Sprocket 11T) Replaces items
46	80 12 006	1	.. Sprocket 13T) 14, 15 & 16
47	80 12 007	1	.. Sprocket 15T)
48	80 13 005	2	.. Stud (Replaces item 18)
49	06 00 004	1	.. Bearing (Needle Roller) Additional
			Pump Spacer, Item 25 not required
ASSY 'C'	80 13 250	1	GEARBOX & PUMP ASSEMBLY, (PLESSEY BETA 33 SPLINE DRIVE)
50	82 01 350	1	.. Plessey Beta 33 Pump (Spline Drive)
51	80 13 012	1	.. Inlet Connection
52	86 00 401	1	.. 'O' Ring for Inlet
53	03 42 062	4	.. 3/4" x 5/16" UNC Cap Head Screw
54	80 13 013	1	.. Outlet Connection
55	86 00 112	1	.. 'O' Ring for Outlet
56	03 42 061	4	.. 3/4" x 1/4" UNC Cap Head Screw
57	71 03 322	1	.. Gearbox Assy (Plessey Pump), comprising items as Main List with following alterations:
58	80 13 001	1	.. Adaptor, 9T Spline (Additional)
59	80 13 006	1	.. Adaptor Sleeve (Additional)
60	80 12 005	1	.. Sprocket, 11T) Replaces items
61	80 12 006	1	.. Sprocket, 13T) 14, 15 & 16
62	80 12 007	1	.. Sprocket, 15T)
63	80 13 005	2	.. Stud (Replaces item 18)
64	06 00 004	1	.. Bearing (Needle Roller)
65	04 11 110	1	.. Circlip
	82 01 107		Seal and 'O' Ring Set for Plessey Pump and Gearbox

OPERATION AND SPARE PARTS MANUAL McCONNEL S/12 SUPER-C(N) DIGGER/LOADER

STEP DRAIN BUCKET & DISC & TURF DISC



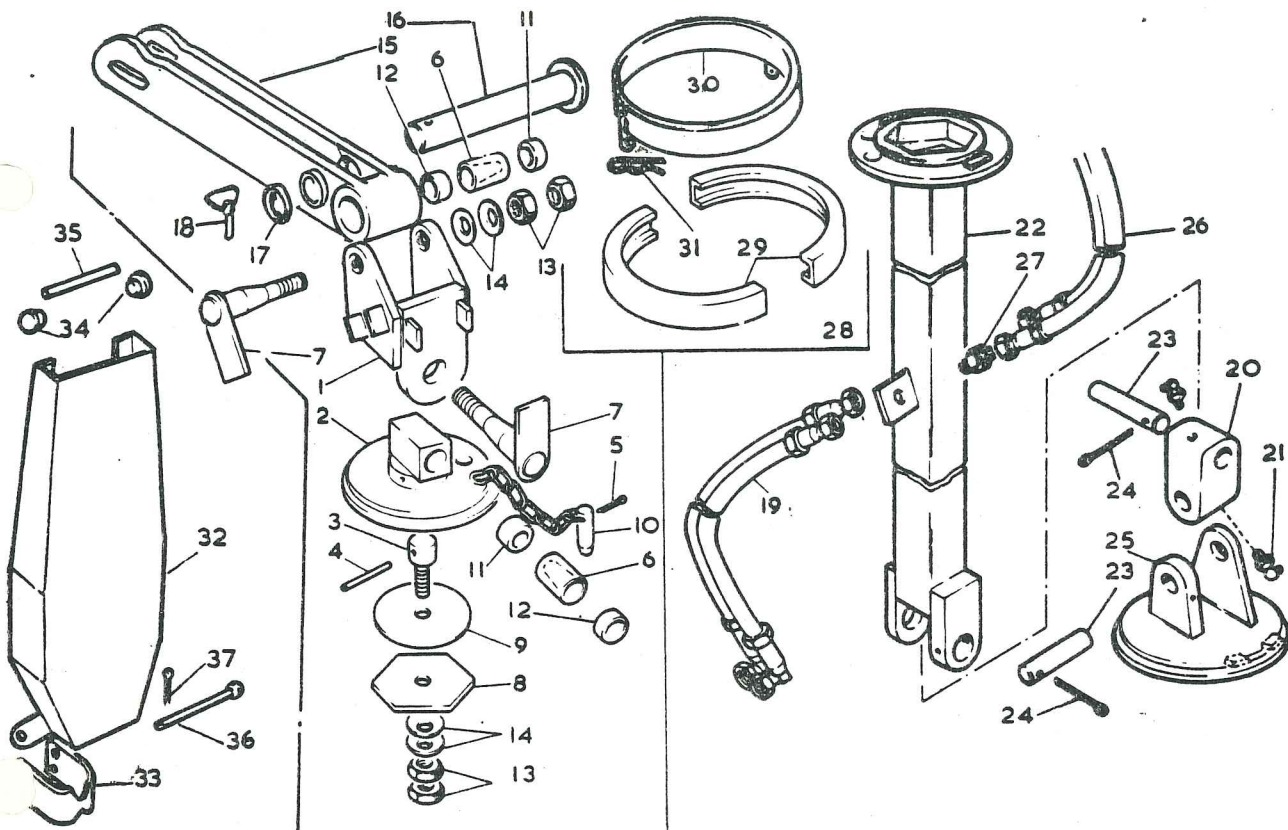
OPERATION AND SPARE PARTS MANUAL

McCONNEL S/12 SUPER-C(N) DIGGER/LOADER

<u>Ref. No.</u>	<u>Part No.</u>	<u>Qty.</u>	<u>Description</u>
	71 01 322	1	SHEEP DRAIN BUCKET AND DISC ASSEMBLY, comprising:-
1	70 12 297	1	.. SHEEP DRAIN BUCKET
2	60 12 032	2	.. Bucket Pivot Bush
3	60 12 073	3	.. Bucket Tine, c/w Bolts and Nuts
4	60 12 034	6	... Tine Bolt c/w Nut
5	01 12 004	6 Nut, 7/16" UNC
6	60 12 025	1	.. Rod Pivot Pin c/w Splitpin and Greaser
7	05 03 166	1	... Splitpin, 2" x 1/4"
8	09 01 121	1	... Greaser
9	71 01 311	1	SHEEP DRAIN DISCS COMPLETE, comprising:-
10	71 01 312	1	... Mounting Bracket
11	71 01 313	1	.. Axle, Welded Assembly
12	71 01 144	2	.. Disc Coulter Assembly, 24" complete, comprising:-
13	71 01 090	2	... Coulter Hub c/w Bushes
14	60 12 032	4 Bush - Coulter Hub
15	71 01 145	2	... 24" Coulter Disc
16	02 11 083	6	... Bolt, 1" x 3/8" UNF
17	01 61 003	6	... Wedglock Nut, 3/8" UNF
18	71 01 093	2	.. Axle Collar
19	71 01 146	4	.. Spacing Collar
20	71 01 147	2	.. Loose Retaining Collar c/w Rollpin
21	04 22 732	2	... Rollpin, 2" x 7/16"
22	60 00 039	1	.. Locking Pin - Mounting Bracket
23	60 09 015	2	.. Locking Pin - Axle
	04 31 105	3	.. Spring Cotter
<hr/>			
1	71 01 289	1	TURF DISC ASSEMBLY COMPLETE
2	71 01 325	1	.. Mounting Bracket c/w Pins
3	71 01 093	2	.. Axle Collar
4	04 31 217	2	.. Lynch Pin
5	60 00 039	1	.. Locking Pin - Mounting Bracket
6	04 31 105	1	... Spring Cotter
7	71 01 092	2	.. 15" Disc Coulter Assembly
8	71 01 090	2	.. Coulter Hub c/w - Bushes
9	60 12 032	4	... Bush - Coulter Hub
10	71 01 089	2	.. 15" Coulter Disc
	02 11 083	6	.. Bolt, 1" x 3/8" UNF
	01 61 003	6	.. Wedglock Nut, 3/8" UNF

OPERATION AND SPARE PARTS MANUAL McCONNEL S/12 SUPER-C(N) DIGGER/LOADER

CONVERSION TO GRAB USING DIGGER ARM



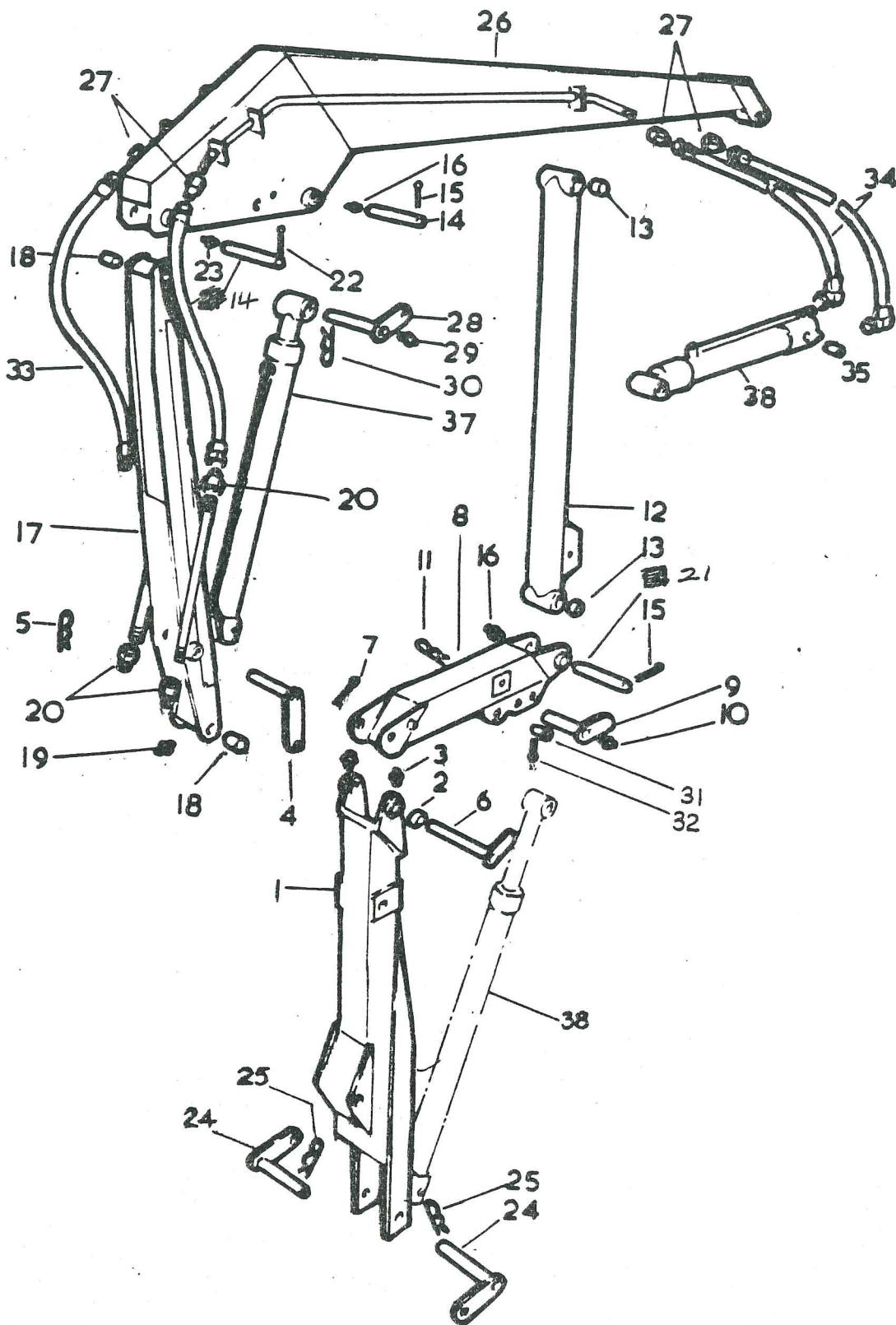
OPERATION AND SPARE PARTS MANUAL

McCONNEL S/12 SUPER-C(N) DIGGER/LOADER

Ref. No.	Part No.	Qty.	Description
	72 12 261		12D CONVERSION TO GRAB ASSEMBLY
	71 05 302	1	Comprising:- GRAB SUSPENSION SWIVEL ASSEMBLY
1	71 05 303	1	Comprising:- .. Universal Jaw
2	71 05 324	1	.. Swivel Plate c/w Pins
3	71 05 075	1	... Pin
4	04 22 532	1	... Spring Dowel 2" x 5/16" dia.
5	05 03 083	1	... Split Pin 1" x 1/8" dia.
6	71 05 071	2	.. Friction Sleeve
7	71 05 072	2	.. Swivel Pin
8	71 05 077	1	.. Damping Plate
9	70 14 026	1	.. Friction Disc
10	71 05 076	1	.. Locating Pin
11	71 05 070	2	.. Steel Bush
12	70 12 037	2	.. Spring Steel Bush
13	01 31 006	6	.. Locknut 5/8" U.N.F.
14	70 14 027	6	.. Spring Disc
15	72 12 262	1	.. Extension Arm
16	78 12 007	1	.. Extension Arm Pin c/w Linchpin
17	78 12 008	1	.. Spacer
18	04 31 217	1	.. Linchpin
19	85 31 598	2	.. Flexible Hose 59" Long
	72 14 276	1	3FT. GRAB EXTENSION COMPLETE.
	72 14 275	1	2FT. GRAB EXTENSION COMPLETE.
20	70 14 050	1	.. Knuckle, c/w Grease Nipple
21	09 01 123	2	.. Grease Nipple, Right Angled
22	(70 14 284	1	.. Grab Extension Piece (3ft.)
	(70 14 285	1	.. Grab Extension Piece (2ft.)
23	70 14 054	2	.. Swivel Pin c/w Split Pin
24	05 03 206	2	.. Splitpin
25	70 14 051	1	.. Swivel Jaw
26	85 11 588	2	.. Flexible Hose 58" Long
THE FOLLOWING ITEMS ARE COMMON TO BOTH ASSEMBLIES:-			
27	72 13 004	2	.. 3/4" J.I.C. Double Male Union
28	71 05 325	1	.. Split Clamp & Shroud Assembly, Comprising:-
29	71 05 326	2	.. Split Clamp
30	71 05 078	1	.. Shroud
31	04 31 105	2	.. Spring Cotter
GUARD ASSEMBLY			
	71 02 298	1	LIFT RAM GUARD ASSEMBLY
32	71 03 297	1	.. Lift Ram Guard
33	71 03 210	1	.. Ram Hood
34	71 03 211	2	.. Roller
35	71 03 212	1	.. Roller Spindle
36	71 03 213	1	.. Pin c/w Splitpin
37	05 03 083	1	.. 1" x 1/8" dia. Splitpin

OPERATION AND SPARE PARTS MANUAL
McCONNEL S/12 SUPER-C(N) DIGGER/LOADER

4(N) SLEW LOADER



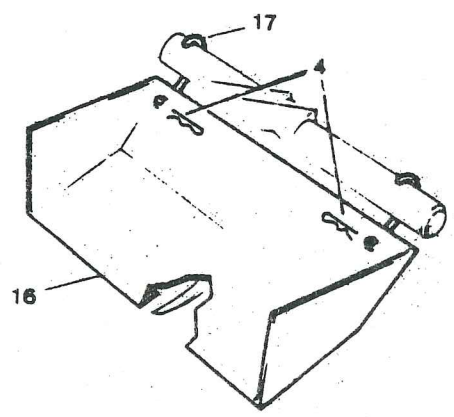
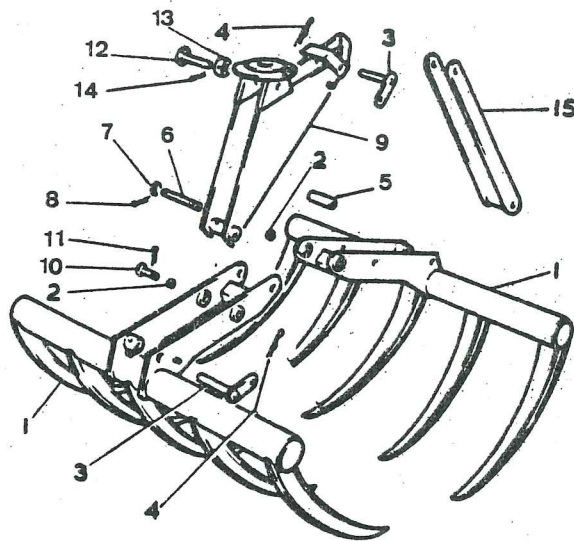
OPERATION AND SPARE PARTS MANUAL

McCONNEL S/12 SUPER-C(N) DIGGER/LOADER

Ref. No.	Part No.	Qty.	Description
	70 14 310	1	LOADER ARM ASSY. COMPLETE comprising:-
1	70 14 251	1	. Vertical Pillar c/w Bushes & Greaser
2	68 03 010	2	. . Bush - Vertical Pillar
3	09 01 121	2	. . Greaser
4	70 14 015	2	. Ram Base Pin c/w Spring Cotter
5	04 31 105	2	. . Spring Cotter
6	70 14 016	1	. Rocker Pivot Pin c/w Split Pin
7	05 03 126	1	. . Split Pin 1½" x ¼"
8	70 14 252	1	. Rocker Arm
9	70 14 017	1	. Lift Ram Rod Pin c/w Greaser and Spring Cotter
10	09 01 121	1	. . Greaser
11	04 31 105	1	. . Spring Cotter
12	70 14 253	1	. Compression Link c/w Bushes
13	68 03 010	4	. . Bush Compression Link
14	70 14 083	2	. Compression Link Pin c/w Spring Dowel and Greaser
15	04 25 736	2	. . Spring Dowel
16	09 01 121	2	. . Greaser
17	70 14 254	1	. Tension Link c/w Bushes, Greaser and Pipe end Fittings
18	68 03 010	4	. . Bush - Tension Link
19	09 01 121	1	. . Greaser
20	72 13 003	4	. J.I.C. End Fittings
21	70 14 083 018	1	. Tension Link Pin c/w ^{Spring} Dowel and Greaser
22	04 25 736	1	. . Spring Dowel
23	09 01 121	1	. . Greaser
24	70 14 015	1	. Ram Base Pin c/w Spring Cotter
25	04 31 105	1	. . Spring Cotter
26	70 14 300	1	. Boom c/w Pipe End Fittings
27	72 13 003	4	. . JIC End Fittings
28	70 14 019	1	. Reach Ram Rod Pin c/w Greaser and Spring Cotter
29	09 01 121	1	. . Greaser
30	04 31 105	1	. . Spring Cotter
31	70 14 065	1	. Blanking Plug c/w Splitpin
32	05 03 125	1	. . Splitpin
33	85 11 328	2	. Flexible Hose 32" Long
34	85 31 598	2	. Flexible Hose 59" Long
35	71 01 158	4	. Bush
36	72 13 001	2	. Rigid Pipe
	71 05 302	1	Grab Suspension Swivel Assy. (See Separate Parts List)
37	71 03 301	1	Reach Ram Assy. Complete (See
38	71 03 302	1	Bucket Ram Assy. Complete (Separate
			(Parts
			(List
	70 14 999		Support Stand (For Removal of AH only) Not Illustrated

OPERATION AND SPARE PARTS MANUAL
McCONNEL S/12 SUPER-C(N) DIGGER/LOADER

GRAB COMPACT MANURE ASSEMBLY & TINE PLATES

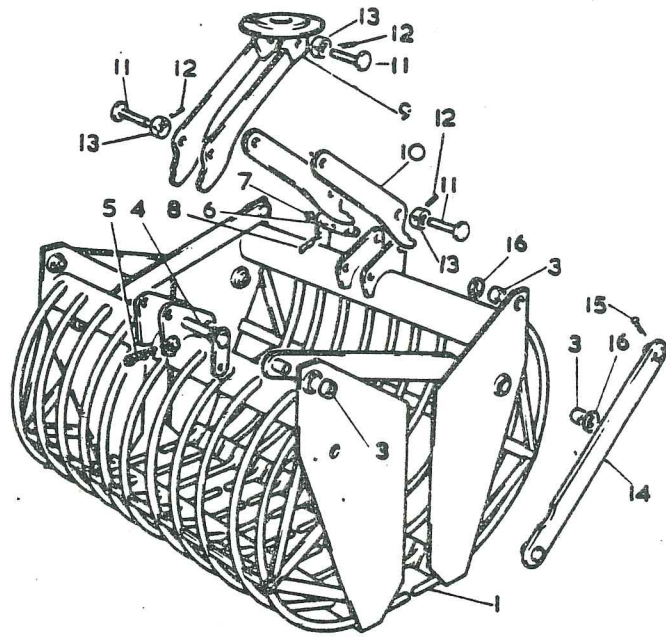


OPERATION AND SPARE PARTS MANUAL

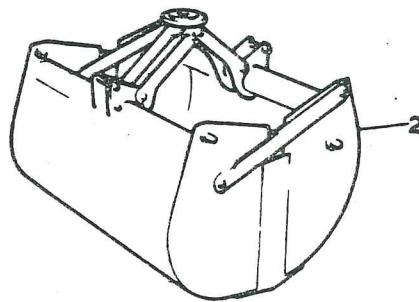
McCONNEL S/12 SUPER-C(N) DIGGER/LOADER

<u>Ref. No.</u>	<u>Part No.</u>	<u>Qty.</u>	<u>Description</u>
	72 14 300		GRAB COMPACT MANURE ASSY. COMPLETE
			Comprising:-
1	72 14 301	2	. Tine Bar c/w Bushes
2	72 14 060	10	.. Grab Pivot Bush
3	72 14 064	2	. Ram Pivot Pin c/w Spring Cotter
4	04 31 105	2	.. Spring Cotter
5	72 14 062	1	. Distance Piece
6	72 14 063	1	.. Joint Pin c/w Washers & Splitpin
7	70 14 048	2	.. 1" Washer
8	05 03 125	2	.. 1½" x 3/16" dia. Splitpin
9	72 14 302	1	. Suspension Frame
10	72 14 066	4	.. Pivot Pin c/w Splitpin
11	05 03 165	4	.. 2" x 3/16" dia. Splitpin
12	72 14 065	1	. Suspension Link Pin Collar & Dowel
13	72 14 068	1	.. Collar
14	04 21 628	1	.. 1¾" x 3/16" Spring Dowel
15	72 14 061	1	. Suspension Link
16	70 14 287		. Tine Plate Complete comprising:-
17	70 14 071	4	.. Attachment Hook c/w Spring Cotter
4	04 31 105	4	.. Spring Cotter

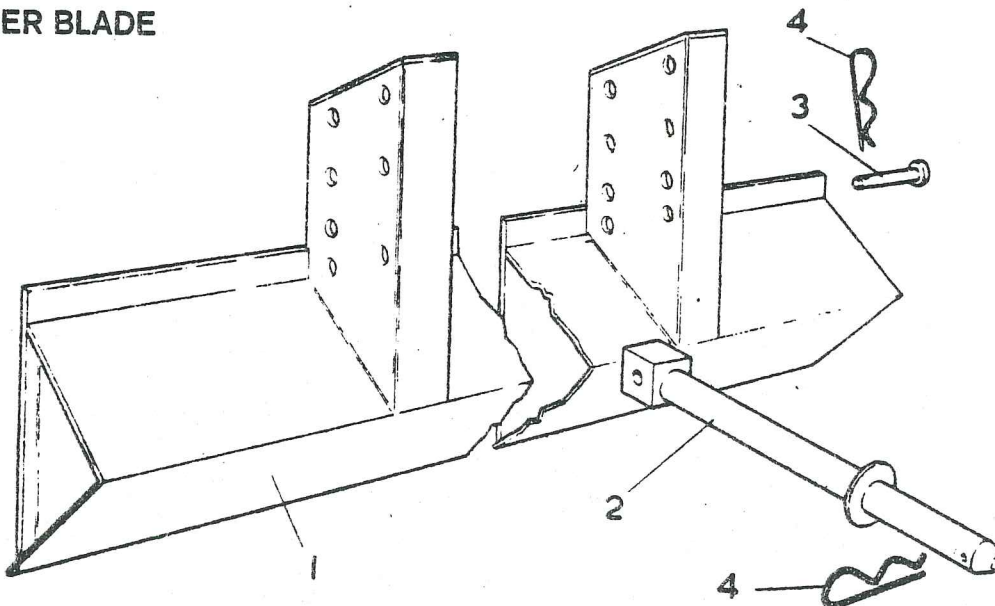
BEET GRAB



BULK GRAB



SCRAPER BLADE



105

20th September, 1972

From: I Robertson

Due to the several reports of failure of the grab suspension links on the Beet, Bulk and Ballast Grabs, modifications have been made to strengthen these links. Bushes have also been incorporated on the grab suspension link pivots. These modifications have been issued to production.

Interchangeability of the links and their associated pins is affected by these modifications. Parts affected are listed below:-

Grab Suspension Link (Fixed) 70 14 206 - 1 off..... replaced by
Grab Suspension Link c/w Bush (Fixed) 70 14 315 - 1 off.

Grab Suspension Link 70 14 072 (2 off) replaced by
Grab Suspension Link c/w Bush 70 14 316 - 1 off.

Suspension Link Pin 70 14 044 - 3 off..... replaced by
Suspension Link Pin 70 14 087 - 1 off and
Suspension Link Pin (Lower) - 2 off. 70 14 088

The modifications listed above apply to the following Grab assemblies:-

BEET GRAB ASSEMBLY 70 14 206

BULK GRAB ASSEMBLY (GBL.6) 72 14 305

BALLAST GRAB(LARGE) ASSEMBLY 70 14 277

I.R.

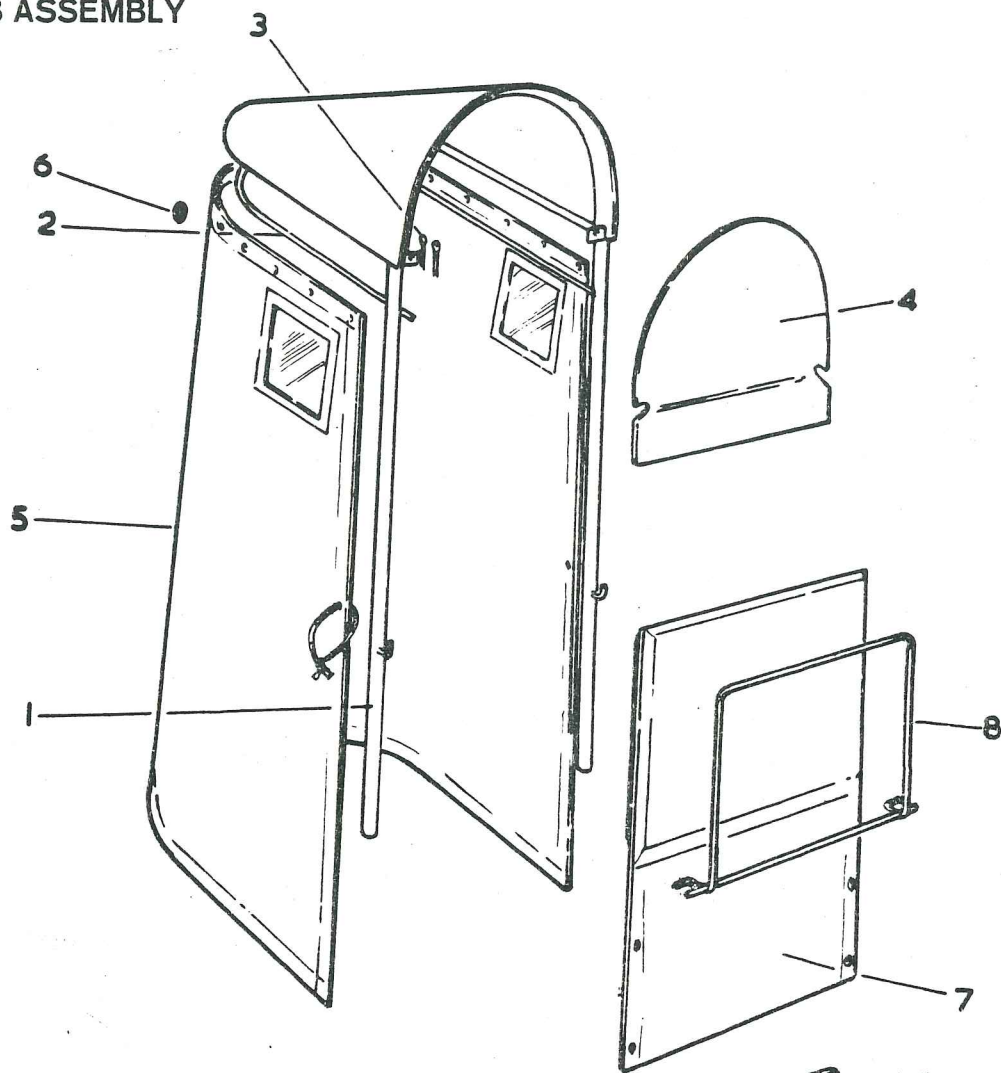
OPERATION AND SPARE PARTS MANUAL McCONNEL S/12 SUPER-C(N) DIGGER/LOADER

<u>Ref. No.</u>	<u>Part No.</u>	<u>Qty.</u>	<u>Description</u>
1	70 14 268	1	BEET GRAB COMPLETE Comprising:-
	70 14 269	2	Beet Grab Halves C/w Bushes
	70 14 277		BULK GRAB COMPLETE Comprising :-
2	70 14 278	2	. Beet Grab Halves c/w Bushes
THE FOLLOWING PARTS ARE COMMON TO BOTH GRABS:-			
3	71 01 083	8	.. Bush
4	70 14 042	1	. Ram Pin - Base End, c/w Spring Cotter
5	04 31 105	1	.. Spring Cotter
6	70 14 043	1	. Ram Pin - Rod End, c/w Greaser & Spring Cotter
7	09 01 121	1	.. Greaser
8	04 31 105	1	.. Spring Cotter
9	70 14 298	1	. Suspension Frame
10	70 14 072	2	. Suspension Link
11	70 14 044	3	. Suspension Link Pin c/w Collar & Spring Dowel
12	04 21 624	3	.. Spring Dowel
13	70 14 074	3	.. Collar
14	72 14 069	4	. Cross Link c/w Splitpins & Washers
15	05 03 125	8	.. Splitpin 1/2" x 3/16"
16	70 14 048	8	.. Special Washer

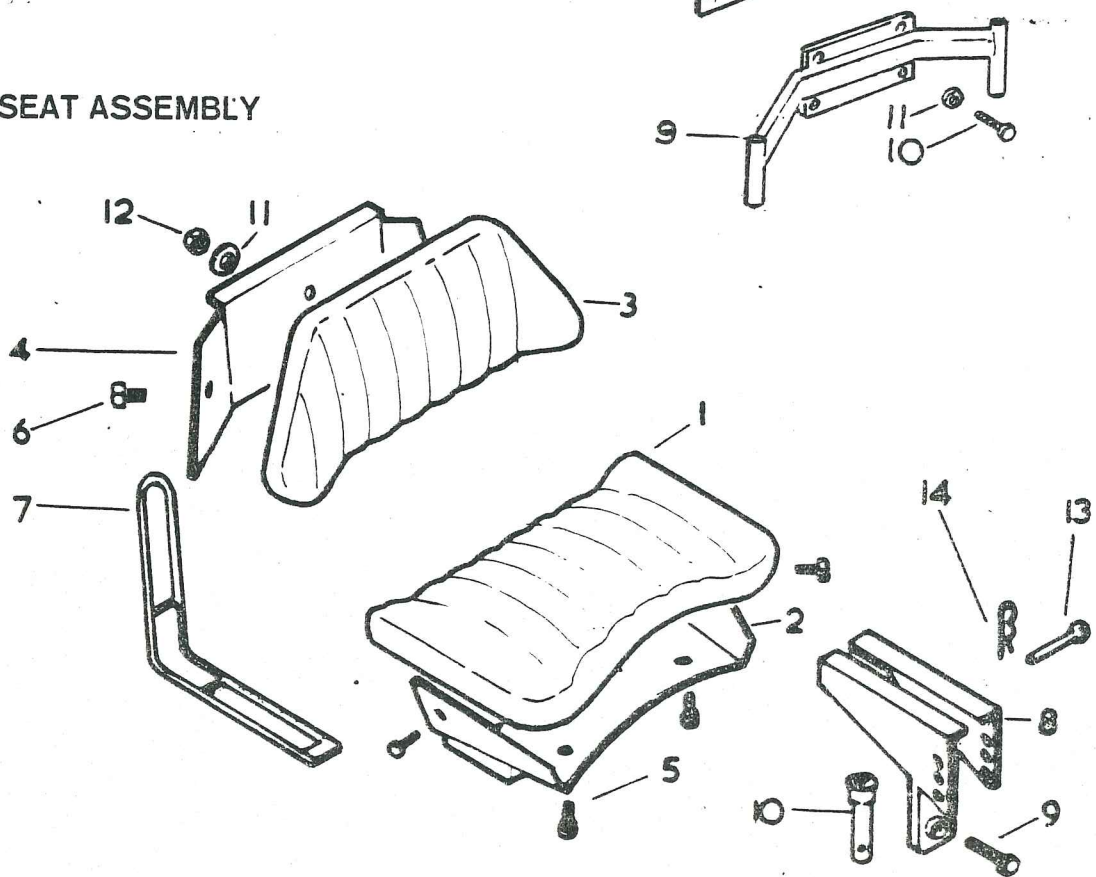
<u>Ref. No.</u>	<u>Part No.</u>	<u>Qty.</u>	<u>Description</u>
1	71 01 295	1	SCRAPER BLADE ASSY. COMPLETE
			comprising:-
	71 01 296	1	. Scraper Blade
	71 01 101	2	. Special Leg Pin c/w Spring Cotter
3	71 01 056	2	. Pivot Pin c/w Spring Cotter
4	04 31 105	4	.. Spring Cotter

OPERATION AND SPARE PARTS MANUAL McCONNEL S/12 SUPER-C(N) DIGGER/LOADER

CONTROL CAB ASSEMBLY



DE-LUXE SEAT ASSEMBLY



OPERATION AND SPARE PARTS MANUAL

McCONNEL S/12 SUPER-C(N) DIGGER/LOADER.

<u>Ref. No.</u>	<u>Part No.</u>	<u>Qty.</u>	<u>Description</u>
	71 02 527	1	REAR CONTROL CAB ASSY. COMPLETE
			COMPRISING:-
1	71 03 293	1	. Cab Welded Assy.
2	71 01 107	1	. Curtain Rail c/w Splitpins
3	05 03 082	4	. . Splitpin 1" x 3/32"
4	71 01 108	1	. Front Shield
5	71 01 106	1	. Cab Curtain c/w Rings
6	71 01 111	16	. . Curtain Rings
7	71 01 109	1	. Front Apron
8	71 01 110	1	. Front Apron Frame
9	71 02 526	1	. Mounting Bracket c/w Bolts and Nuts
10	02 11 063	4	. . Bolts 3/4" x 3/8" UNF
11	01 61 003	4	. . Nuts 3/8" UNF (NYLOCK)

<u>Ref. No.</u>	<u>Part No.</u>	<u>Qty.</u>	<u>Description</u>
	71 03 273	1	DE-LUXE SEAT ASSEMBLY C/W PIN
			comprising:-
1	71 03 274	1	. Seat Pan - Upholstered
2	71 03 286	1	. Seat Pan - Outer
3	71 03 275	1	. Back Rest - Upholstered
4	71 03 287	1	. Back Rest - Outer
5	03 11 031	7	. 3/8" x 1/4" UNF Setscrew
6	03 11 146	2	. 1 1/4" x 5/8" UNF Setscrew
7	71 03 064	1	. Back Rest Support
8	71 03 276	1	. Seat Bracket c/w Setscrew
9	03 11 166	1	. . 2" x 5/8" UNF Setscrew
10	71 03 065	1	. Clamp
11	71 03 086	2	. Cone Clamp
12	01 41 006	2	. 5/8" UNF Aeronut
13	71 01 065	1	. Pivot Pin c/w Spring Cotter
14	04 31 105	1	. . Spring Cotter



McConnel Limited, Temeside Works, Ludlow, Shropshire SY8 1JL. England.
Telephone: 01584 873131. Facsimile: 01584 876463. www.mcconnel.com