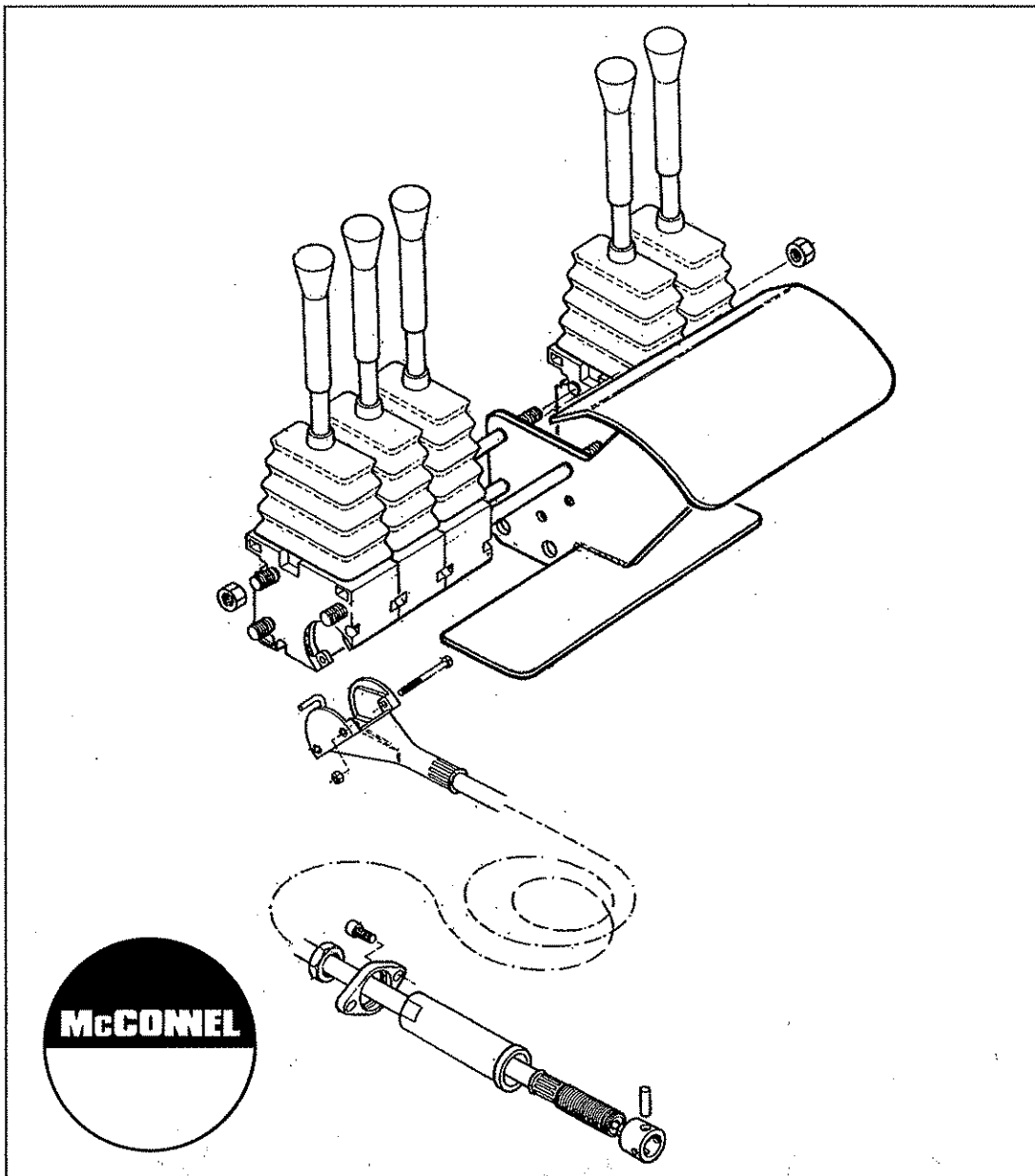


PA 500 PA 590 Parts Manual



McCONEL

For best performance...

USE ONLY McCONNEL SERVICE PARTS

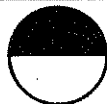
To be assured of the latest design improvements purchase your 'Genuine Replacements' from the Original Equipment Manufacturer: McCONNEL LIMITED through your local Dealer or Stockist.

Always quote:

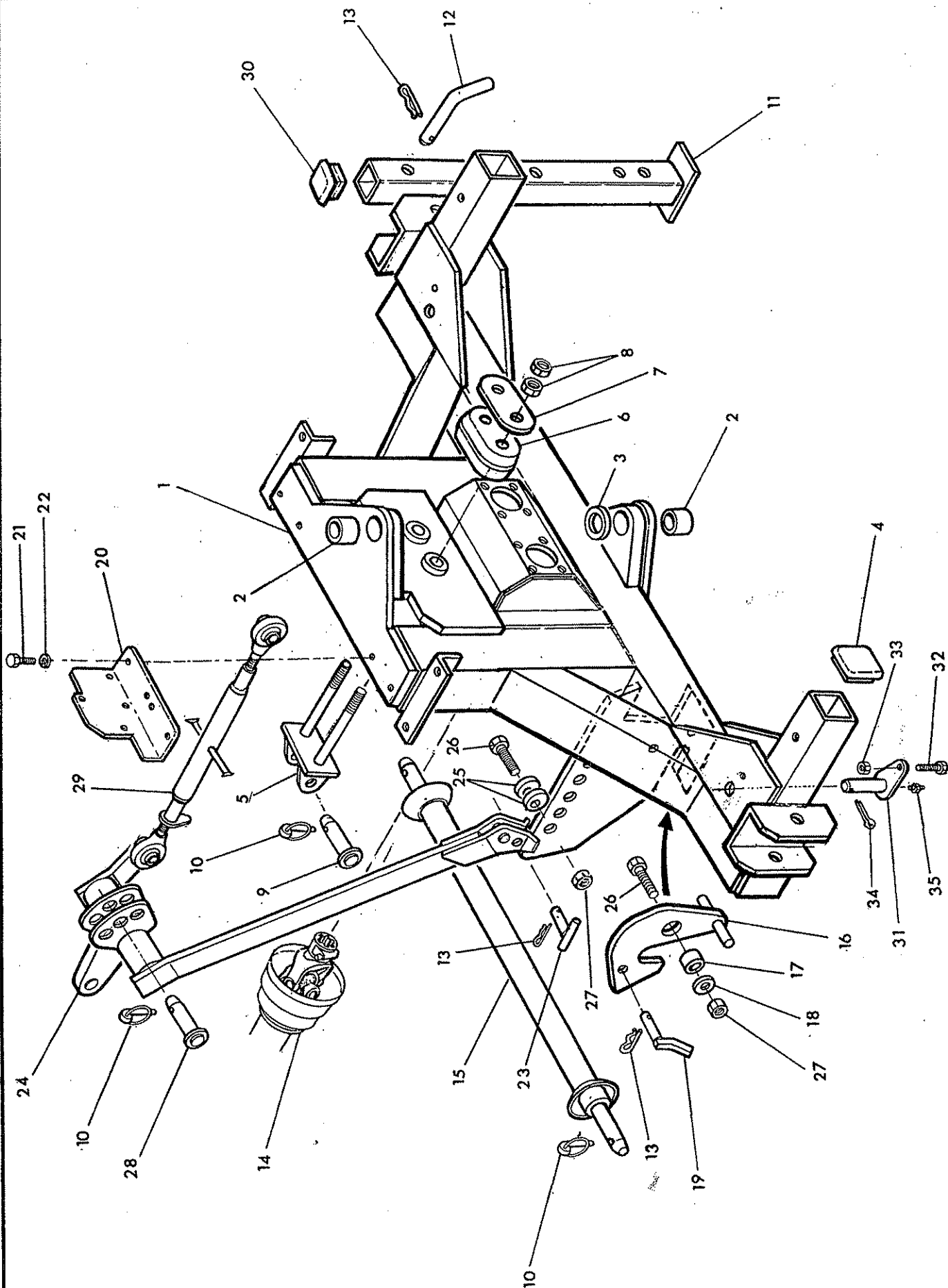
- Machine Type
- Serial Number
- Part Number

Design Improvements may have altered some of the parts listed in this manual – The latest part will always be supplied when it is interchangeable with an earlier one.

MAIN FRAME

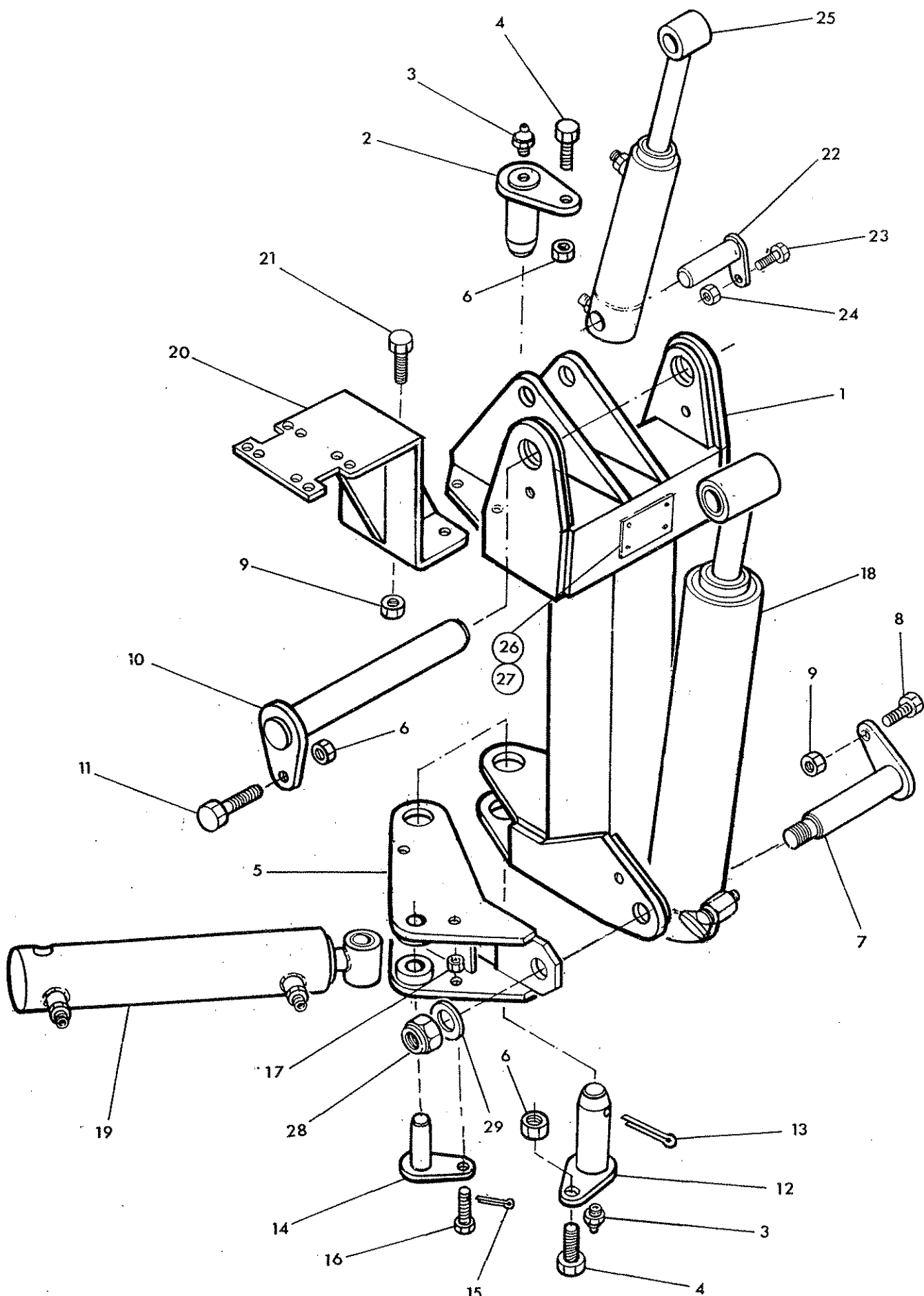


McCOMBI





Ref	Part No	Qty	Description
MAIN FRAME AND FITTINGS			
1	41522.02	1	Main frame
2	70 16 010	2	Bush
3	60 01 136	1	Thrust washer
4	41580.01	2	Plastic plug
5	75 60 398	1	Top hitch bracket
6	75 60 141	1	Rubber damper
7	75 60 130	1	Reaction plate
8	91 13 009	4	Plain nut
9	75 60 144	1	Top link pin
10	04 31 217	4	Linch pin
11	41773.01	1	Stand leg
12	71 92 023	1	Leg pin
13	04 31 105	5	Spring cotter
14	71 36 330	1	P.T.O. shaft
15	42333.02	1	Hitch bar
16	42591.02	1	Catch hook
17	42801.01	2	Spacer sleeve
18	91 00 108	2	Plain washer
19	43011.01	2	Lock pin
20	74 50 258	1	Mounting bracket - rotor valve
21	93 13 055	2	Setscrew
22	91 00 205	2	Spring washer
23	71 92 027	2	Stabiliser pin
24	41915.01	1	Stabiliser
25	71 92 080	4	Eccentric collar
26	92 13 148	4	Bolt
27	91 43 008	4	Self locking nut
28	71 18 112	1	Top link pin
29	07.584.01	1	Top link
30	71 91 108	1	Plastic bung
31	42911.01	1	Pin - slew base
32	42269.01	1	Bolt
33	91 43 005	1	Self locking nut
34	95 01 255	1	Split pin
35	09 01 121	1	Greaser





Ref Part No Qty Description

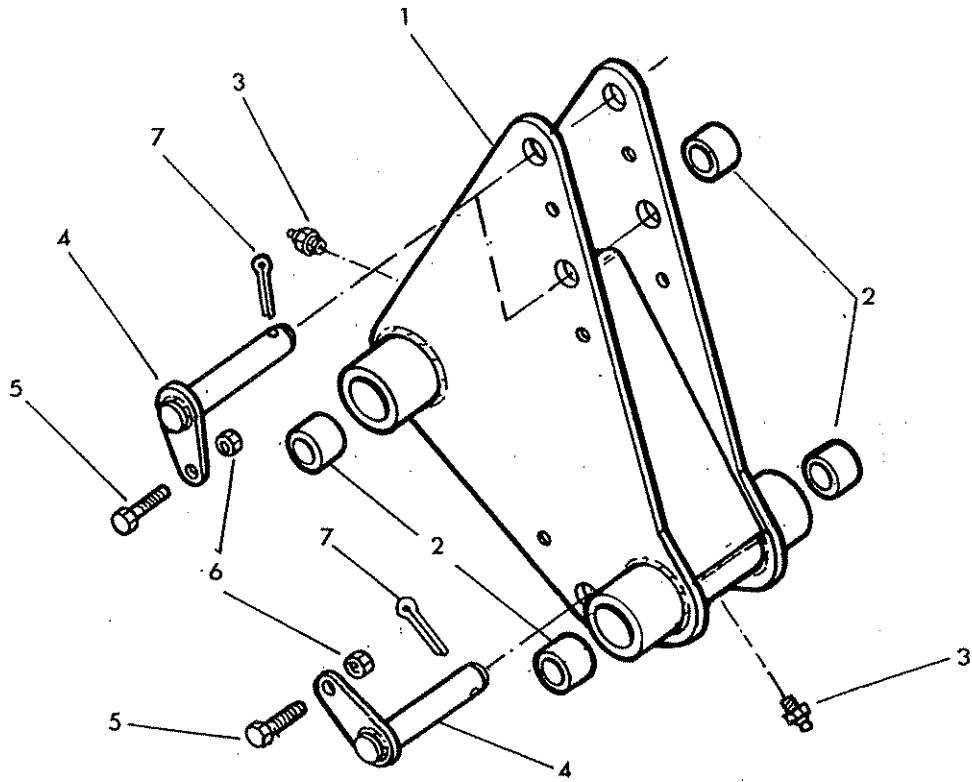
PILLAR AND FITTINGS

Ref	Part No	Qty	Description	
1	41525.02	1	Pillar	
2	41555.01	1	Pivot pin - pillar top	
3	09 01 121	2	Greaser straight	
4	93 13 087	2	Bolt	
5	42023.03	1	Slew bracket	
6	91 43 007	3	Self locking nut	
7	42805.01	1	Pivot pin - lift ram base	
8	92 13 096	1	Bolt	
9	91 43 006	3	Self locking nut	
10	41556.01	1	Pivot pin - rocker	
11	92 13 117	1	Bolt	
12	41555.02	1	Pivot pin - pillar bottom	
13	95 01 507	1	Split pin	
14	42911.02	1	Pivot pin - slew rod	
15	95 01 255	1	Split pin	
16	42269.01	1	Setscrew	
17	91 43 005	1	Self locking nut	
18	42095.02	1	Lift ram assembly	
19	41565.03	1	Slew ram assembly	
20	41508.02	1	Valve mounting bracket	} E models only
21	92 13 086	2	Bolt	
22	75 60 064	1	Pin compensator ram base	} AHC only
23	92 13 065	1	Bolt	
24	91 43 005	1	Self locking nut	
25	76 50 260	1	Compensator ram	
26	13 35 246	1	Serial number plate	
27	71 03 230	4	Pop rivet	
28	91 43 009	1	Self locking nut	
29	91 00 109	1	Plain washer	

ROCKER



McCOMEL



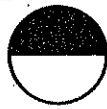


Ref. Part No. Qty. Description

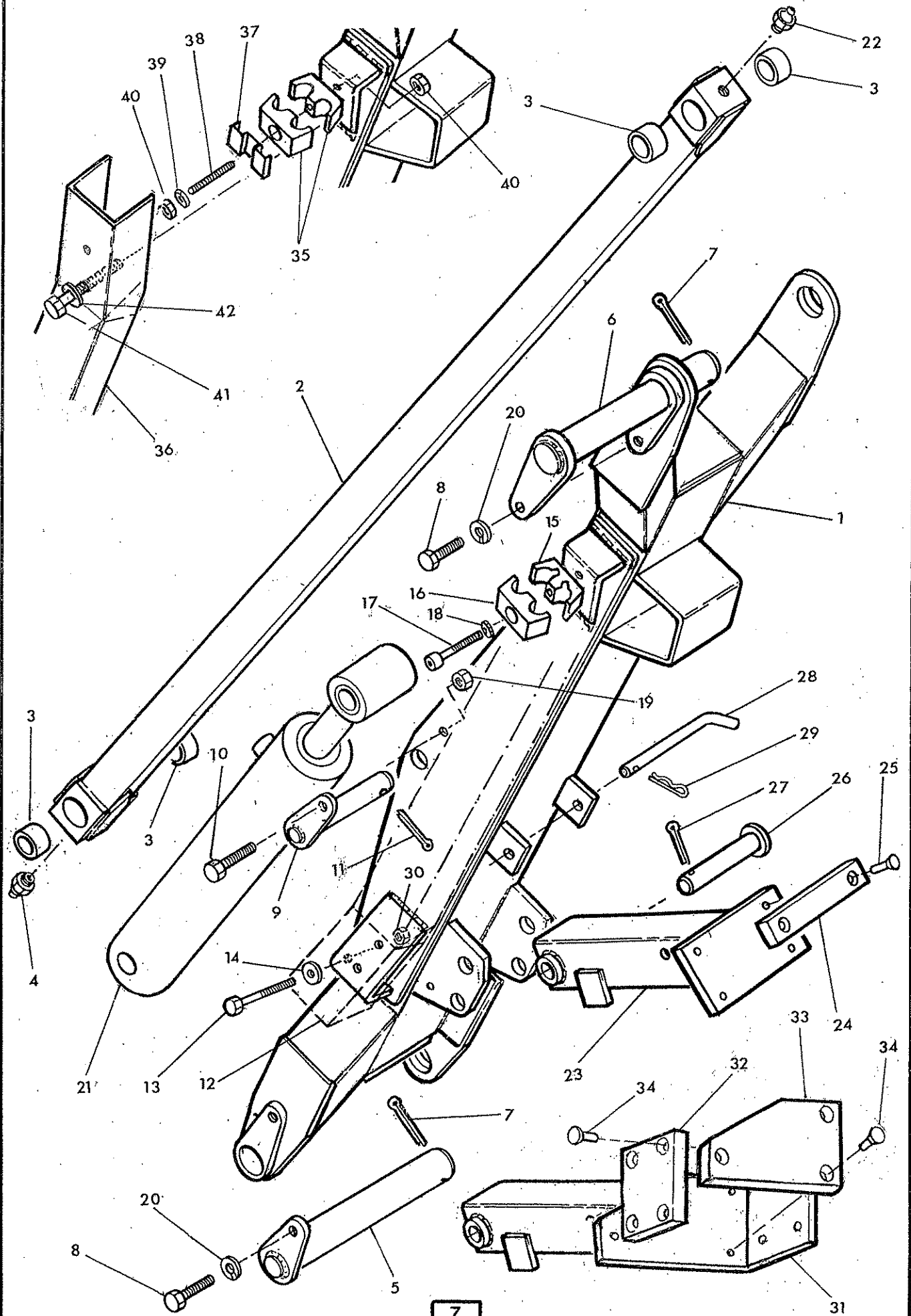
ROCKER

1	71 93 330	1	Rocker
2	72 13 023	4	Bush
3	09 01 121	2	Greaser
4	41694.01	3	Pin
5	93 13 065	3	Setscrew
6	91 43 006	3	Self locking nut
7	05 03 166	3	Split pin

MAIN ARM



McCONEL





Ref	Part No	Qty	Description
MAIN ARM			
1	41597.05	1	Main arm - PA500
	41597.06	1	Main arm - PA590
2	41662.01	1	Tension link - PA500
	41662.02	1	Tension link - PA590
3	60 12 032	4	Bush
4	09 01 121	1	Greaser - straight
5	41686.01	1	Pivot pin - main arm
6	41687.01	1	Pivot pin - dipper arm
7	95 01 509	2	Split pin
8	93 13 087	2	Setscrew
9	41688.01	1	Pivot pin - reach ram rod
10	93 13 076	1	Setscrew
11	05 03 166	1	Split pin
12	41665.01	1	Hose guard - PA500
	41665.02	1	Hose guard - PA590
13	92 13 185	2	Bolt
14	91 00 105	2	Plain washer
15	06.430.19	2	Hose clamp lower
16	42024.06	1	Hose clamp upper - 1 pair
17	92 43 154	2	Capscrew
18	91 00 404	2	Shakeproof washer
19	91 43 006	1	Self locking nut
20	91 00 207	2	Spring washer
21	71 93 334	1	Reach ram
22	09 01 124	1	Greaser
23	43021.01	1	Transport prop
24	10 75 041	2	Pad
25	10 75 047	4	Countersunk rivet
26	43023.01	1	Pin - prop pivot
27	95 01 406	1	Split pin
28	43020.01	1	Pin - prop - stowage
29	04 31 105	1	Spring cotter
30	91 43 005	2	Self locking nut
31	43021.04	1	Transport prop
32	43091.02	1	Pad
33	43091.01	1	Pad
34	10 75 047	7	Countersunk rivet
35	42024.06	2	Hose clamp
36	41665.14	1	Hose guard
37	43095.01	2	Hose clip
38	42198.04	2	Stud
39	91 00 104	2	Spring washer
40	91 13 004	4	Plain nut
41	92 13 205	2	Bolt
42	91 00 105	2	Plain washer

Std

Arm

Std

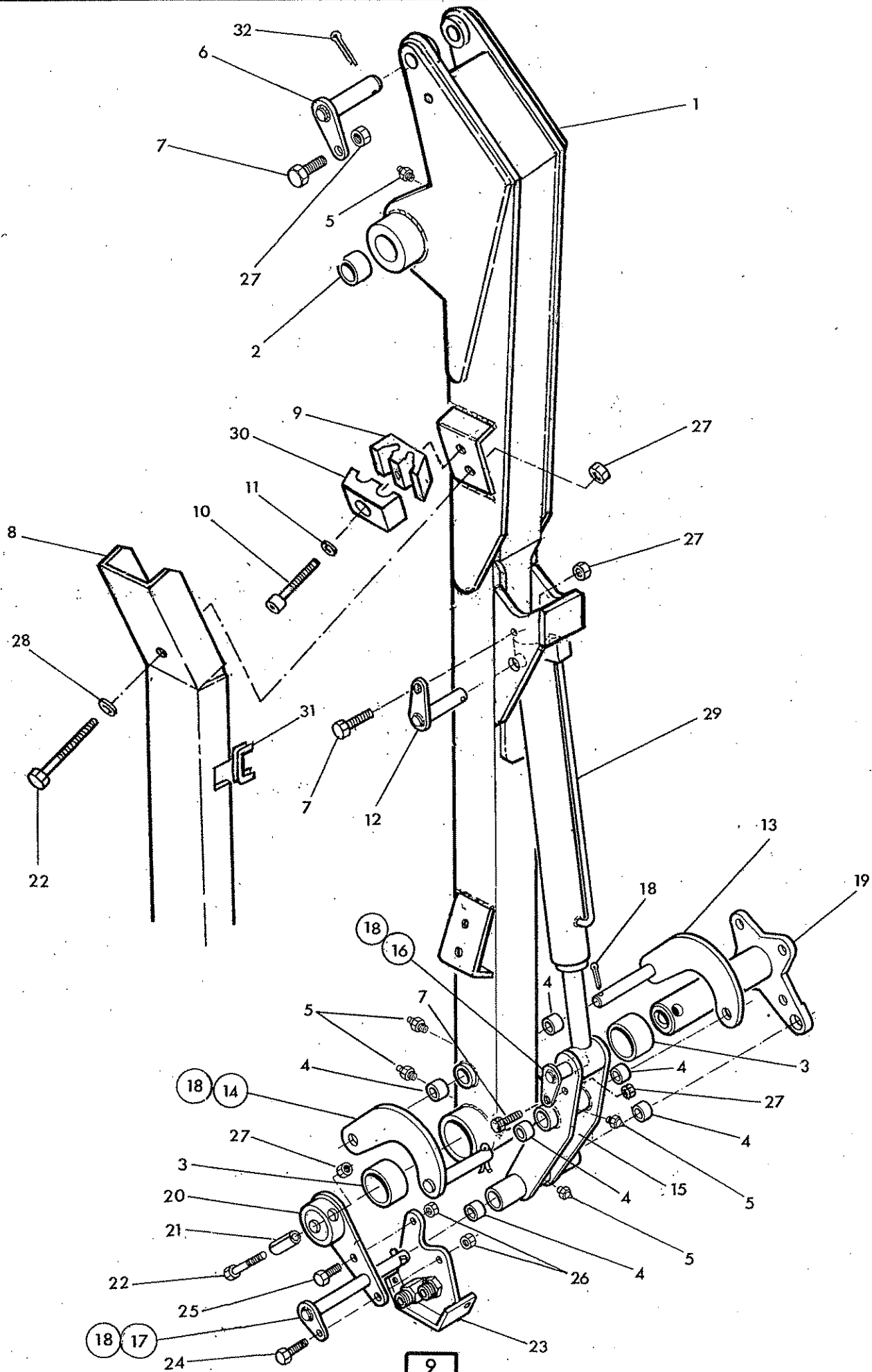
Arm

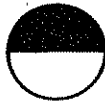
Midcut

DIPPER ARM



McCORMICK



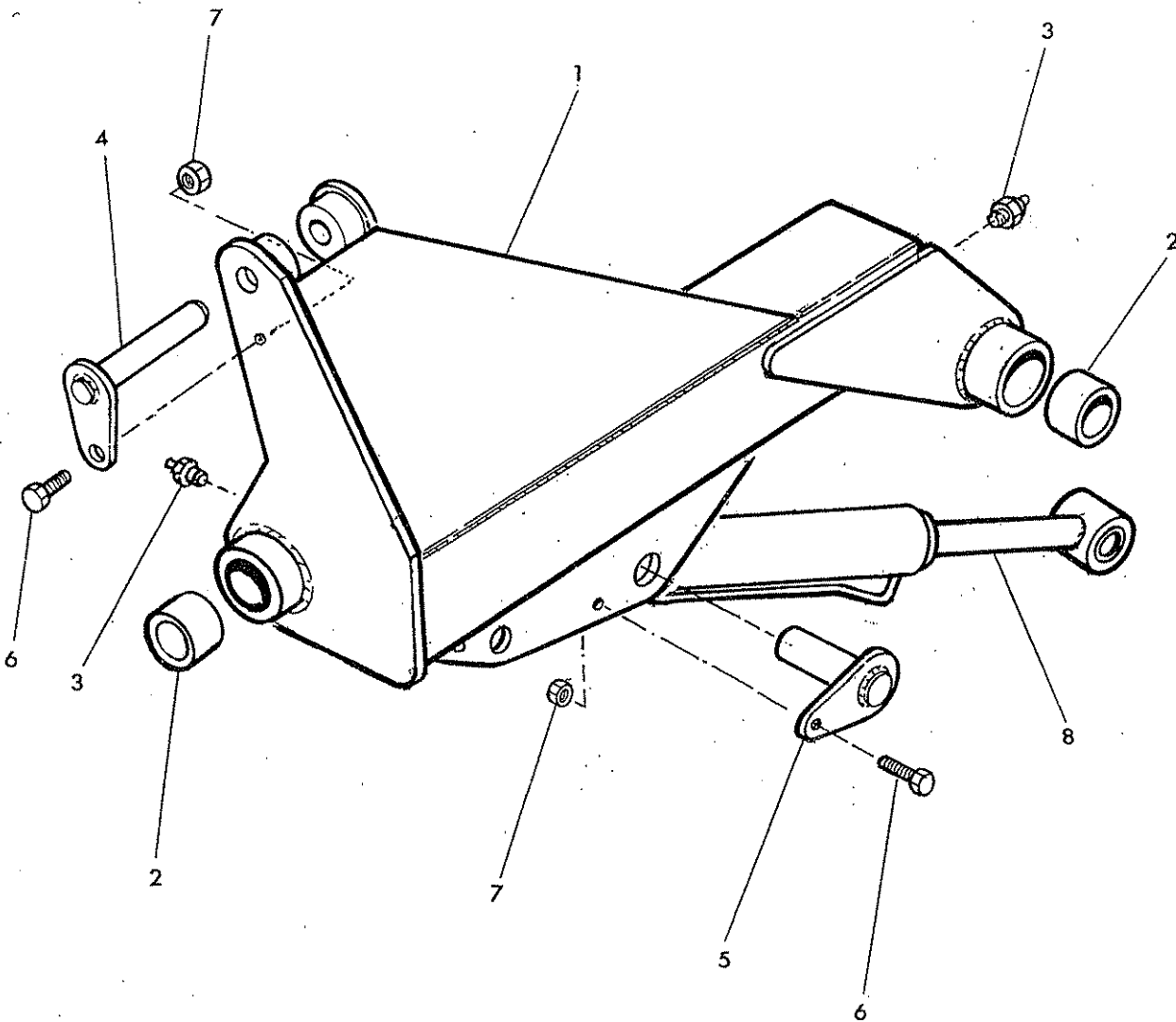


Ref	Part No	Qty	Description
			DIPPER ARM AND FITTINGS
1	41649.03	1	Dipper arm - PA500 - as illus
	41649.04	1	Dipper arm - PA590
2	72 13 023	2	Bush - dipper pivot
3	71 36 035	2	Nylon head bush
4	41690.01	6	Bush
5	09 01 121	5	Greaser
6	41692.01	1	Pin - tension link
7	93 13 075	3	Setscrew
8	41665.03	1	Hose guard - PA500
	41665.04	1	Hose guard - PA590
9	06.430.19	1	Hose clamp lower
10	92 43 154	2	Capscrew
11	91 00 404	2	Shakeproof washer
12	41691.02	1	Pin - angle ram base
13	74 50 251	1	Radius arm front
14	74 50 250	1	Radius arm rear
15	74 50 252	1	Slave link
16	41693.01	1	Pin - angle ram rod
17	71 92 009	1	Pin - slave link
18	95 01 406	4	Split pin
19	71 92 308	1	Head pivot tube
20	71 92 316	1	Jaw plate
21	04 23 548	1	Spring dowel
22	92 13 185	3	Bolt
23	71 95 303	1	Hose junction bracket
24	02 11 146	1	Bolt
25	02 11 126	1	Bolt
26	01 41 006	2	Self locking nut
27	91 43 005	4	Self locking nut
28	91 00 105	2	Plain washer
29	76 50 255	1	Angling ram
30	42024.06	2	Hose clamp upper - 1 pair
31	41741.01	1	Rubber edge strip
32	05 03 166	1	Split pin

MIDCUT FORWARD EXTENSION



McCormell



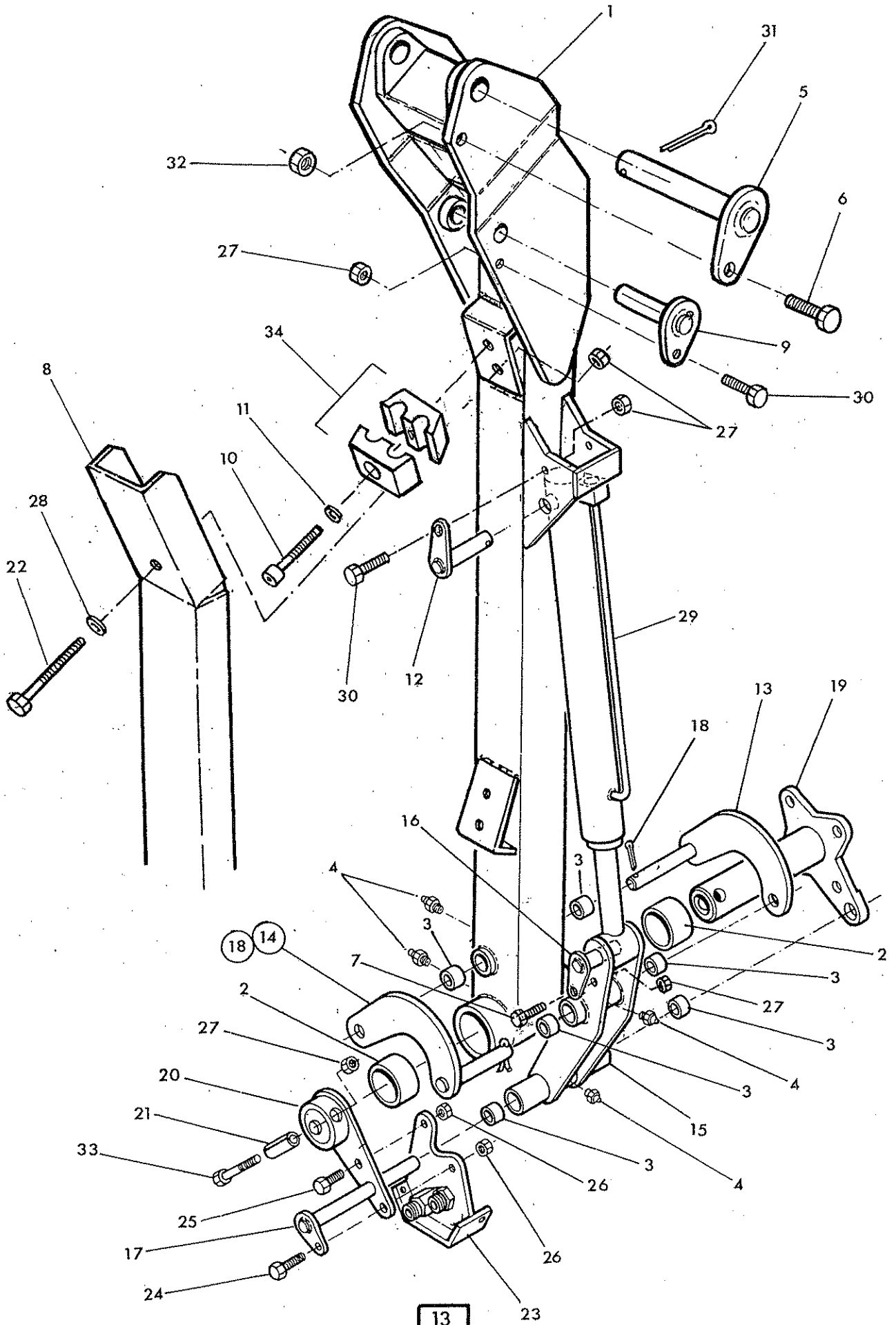


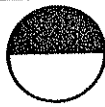
Ref	Part No.	Qty	Description
			MIDCUT FORWARD EXTENSION
1	42644.04	1	Forward extension R hand
	42644.03	1	Forward extension L hand
2	72 13 023	4	Bush
3	09 01 121	2	Greaser
4	41692.01	1	Pin - tension link
5	42684.02	1	Pin - fold ram base
6	93 13 065	2	Setscrew
7	91 43 005	2	Self locking nut
8	42664.05	1	Fold ram

MIDCUT DIPPER

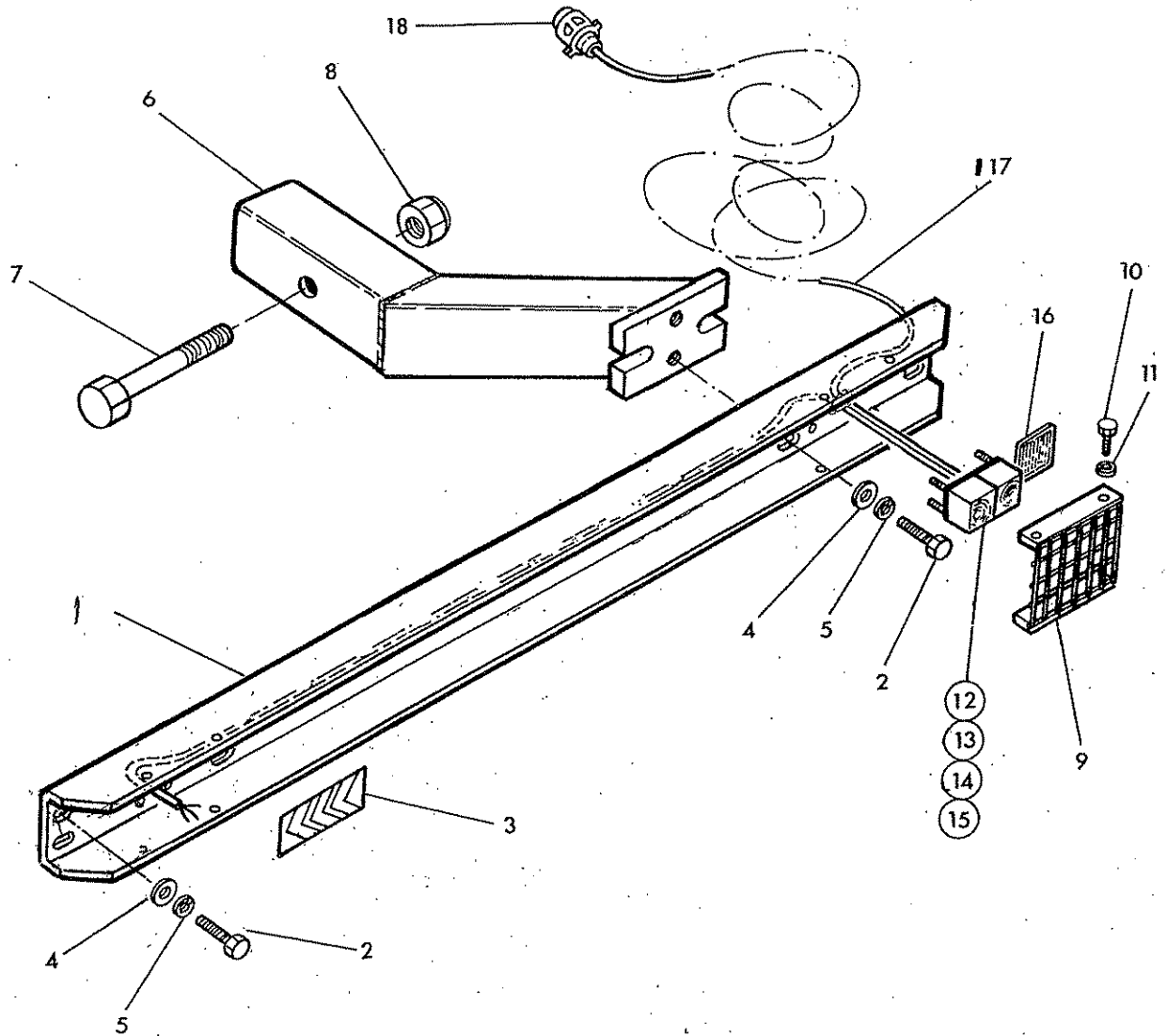


MCCORMICK



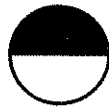


Ref	Part No.	Qty	Description
MIDCUT DIPPER ARM AND FITTINGS			
1	42643.03	1	Dipper arm L hand
	42643.04	1	Dipper arm R hand
2	71 36 035	2	Nylon head bush
3	41690.01	6	Bush
4	09 01 121	4	Greaser
5	41687.03	1	Pin - dipper pivot
6	93 13 087	1	Setscrew
7	93 13 075	2	Setscrew
8	41665.12	1	Hose guard
9	42684.03	1	Pin - fold ram rod
10	92 43 124	2	Capscrew
11	91 00 404	2	Shakeproof washer
12	41691.01	1	Pin - angle ram base
13	74 50 251	1	Radius arm front
14	74 50 250	1	Radius arm rear
15	74 50 252	1	Slave link
16	41693.01	1	Pin - angle ram rod
17	71 92 009	1	Pin - slave link
18	95 01 406	2	Split pin
19	71 92 308	1	Head pivot tube
20	71 92 316	1	Jaw plate
21	04 23 548	1	Spring dowel
22	92 13 155	2	Bolt
23	71 95 303	1	Hose junction bracket
24	02 11 146	1	Bolt
25	02 11 126	1	Bolt
26	01 41 006	2	Self locking nut
27	91 43 005	6	Self locking nut
28	91 00 105	2	Plain washer
29	75 60 344	1	Angling ram
30	93 13 065	2	Setscrew
31	95 01 509	1	Split pin
32	91 43 007	1	Self locking nut
33	92 13 185	3	Bolt
34	42024.06	2	Hose clamp - 1 pair

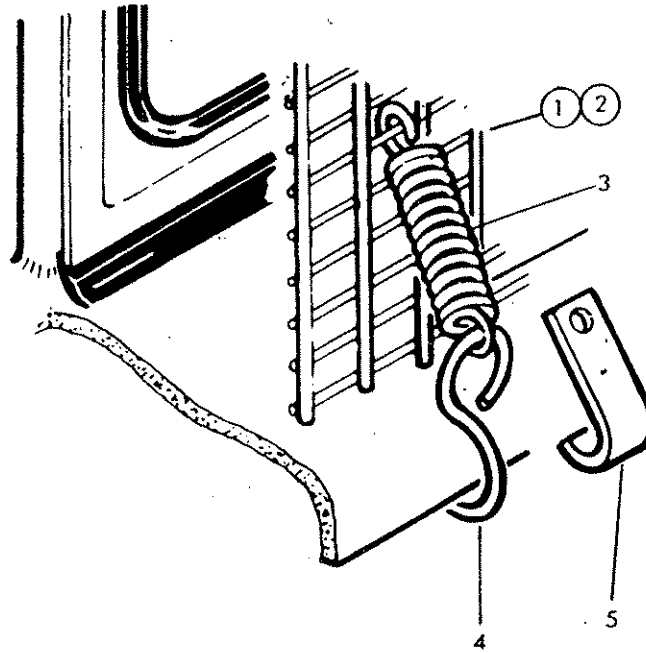


Ref	Part No	Qty	Description
	74 50 729		LIGHT BAR KIT
1	41549.01	1	Light bar
2	93 13 065	4	Setscrew M10 x 30
3	12 90 347	2	Sticker - chevron
4	91 00 105	4	Plain washer dia 10
5	91 00 205	4	Spring washer dia 10
6	41527.02	1	Light bar mount
7	05.292.23	1	Bolt M12 x 100
8	91 43 006	1	Self locking nut M12
9	75 60 353	2	Light guard
10	93 13 023	8	Setscrew M6 x 12
11	91 00 203	8	Spring washer dia 6
12	75 60 086	2	Light incl:
13	75 60 087	2	Stop/tail bulb 12v
14	75 60 088	2	Flasher bulb 12v
15	93 00 142	8	Self tap screw M5 x 12
16	75 60 093	2	Reflector - self adhesive
17	75 60 090	1	Cable
18	75 60 089	1	Plug - 7 pin

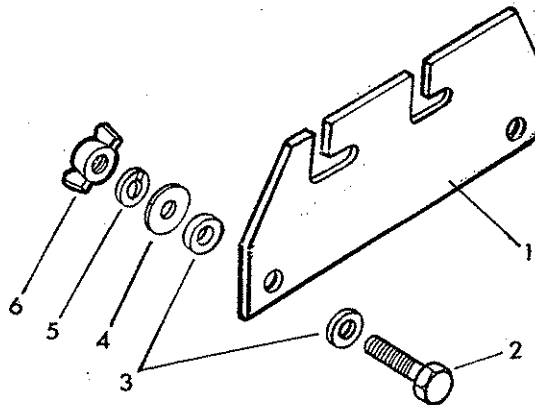
**CAB GUARD
CONTROL MOUNTING**



McDONNELL

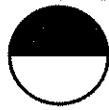


Ref.	Part No.	Qty.	Description
	73 13 324		CAB GUARD KIT
1	73 13 049	1	Guard panel - large
2	73 13 050	1	Guard panel - small
3	60 01 064	12	Spring
4	60 01 065	6	Hook
5	73 13 051	6	Hook

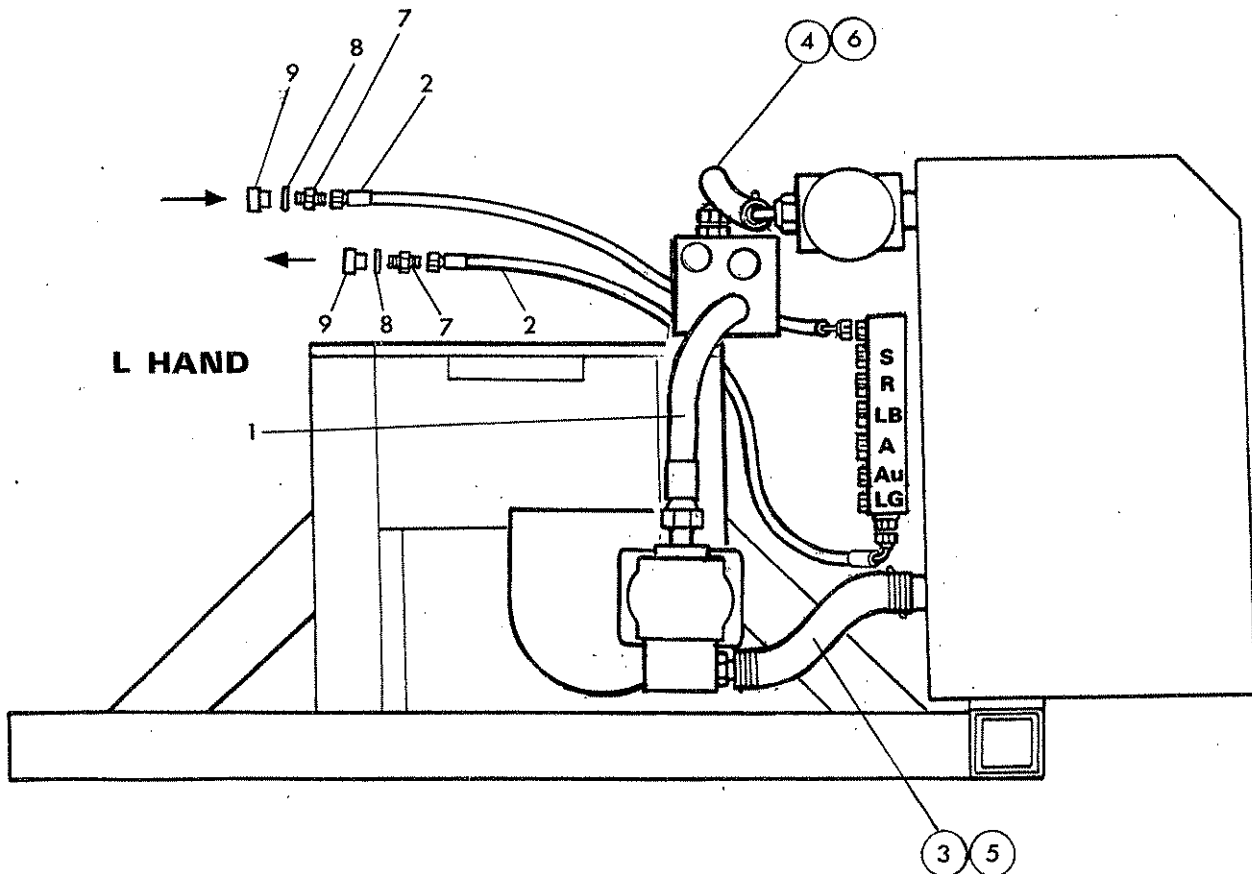
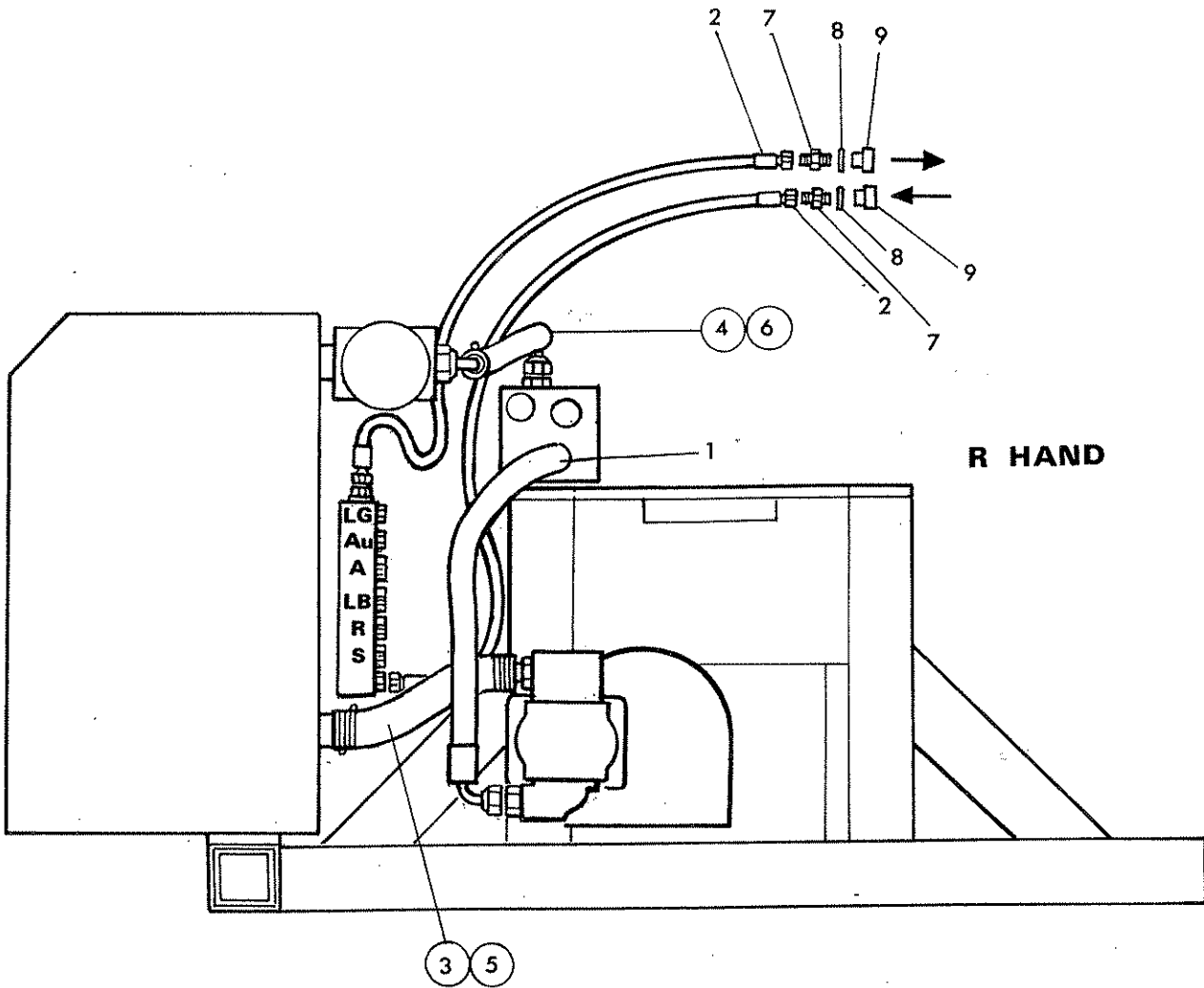


Ref	Part No	Qty	Description
			CONTROL UNIT MOUNTING ASSY
1	03.583.01	1	Bracket
2	93 13 094	2	Setscrew
3	03.152.01	4	Rubber washer
4	91 00 104	2	Plain washer
5	91 00 204	2	Spring washer
6	91 93 004	2	Wingnut

**HOSE INSTALLATION -
primary circuit Si**



McCOMEL





Ref Part No Qty Description

PRIMARY CIRCUIT S I

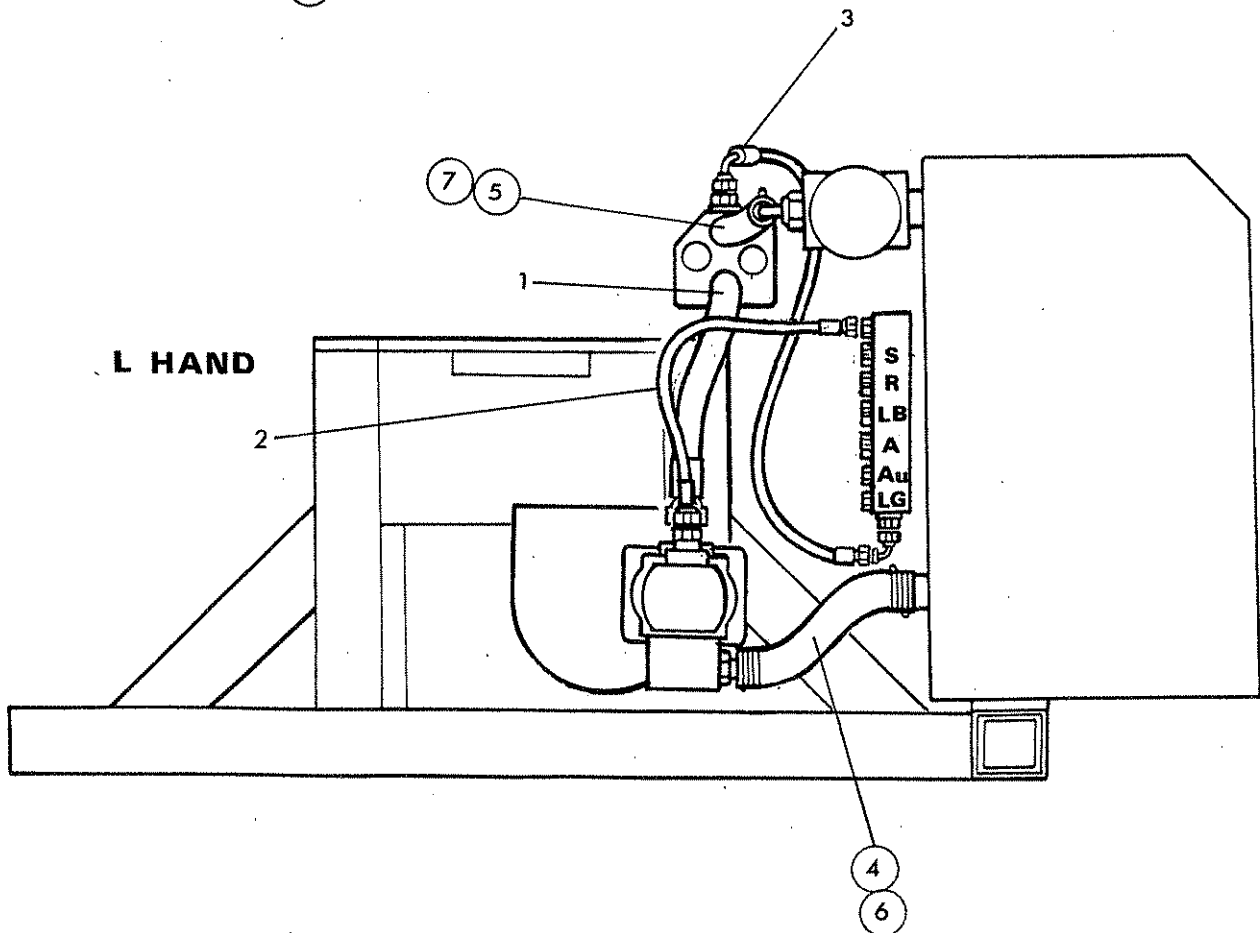
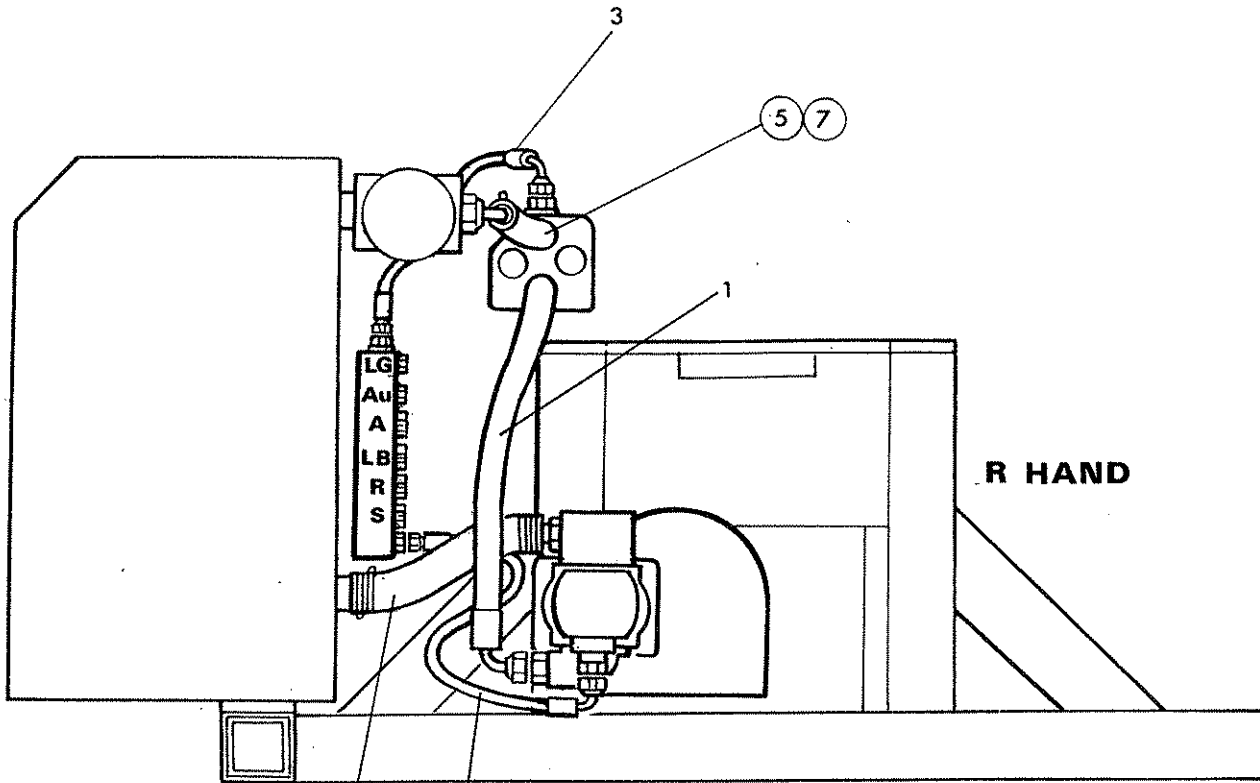
Main control valve
Rotor control valve
Pump and gearbox
Hydraulic reservoir

1	85 01 169	1	Hose 1" BSPx29" long. Pump - R.C.valve R hand
	10.011.11	1	Hose 1" BSPx550mm long. Pump R.C.valve L hand
2	10.006.30	2	Hose 1/2" BSPx2000 long tractor supply & rtn
3	85 01 252	1	Hose 1 1/2" bore x 14" long - suction
4	85 00 800	1	Hose 1" bore x 272" long.Rotor valve tank
5	09 04 107	4	Hose clip 1 1/2" bore
6	09 04 106	4	Hose clip 1" bore
7	85 81 110	2	Union 1/2 BSP MM
8	86 50 104	2	Bonded seal 1/2 BSP
9	ST 134	2	Cap

**HOSE INSTALLATION -
primary circuit Ti**



McCORMEL





Ref Part No Qty Description

PRIMARY CIRCUIT T I

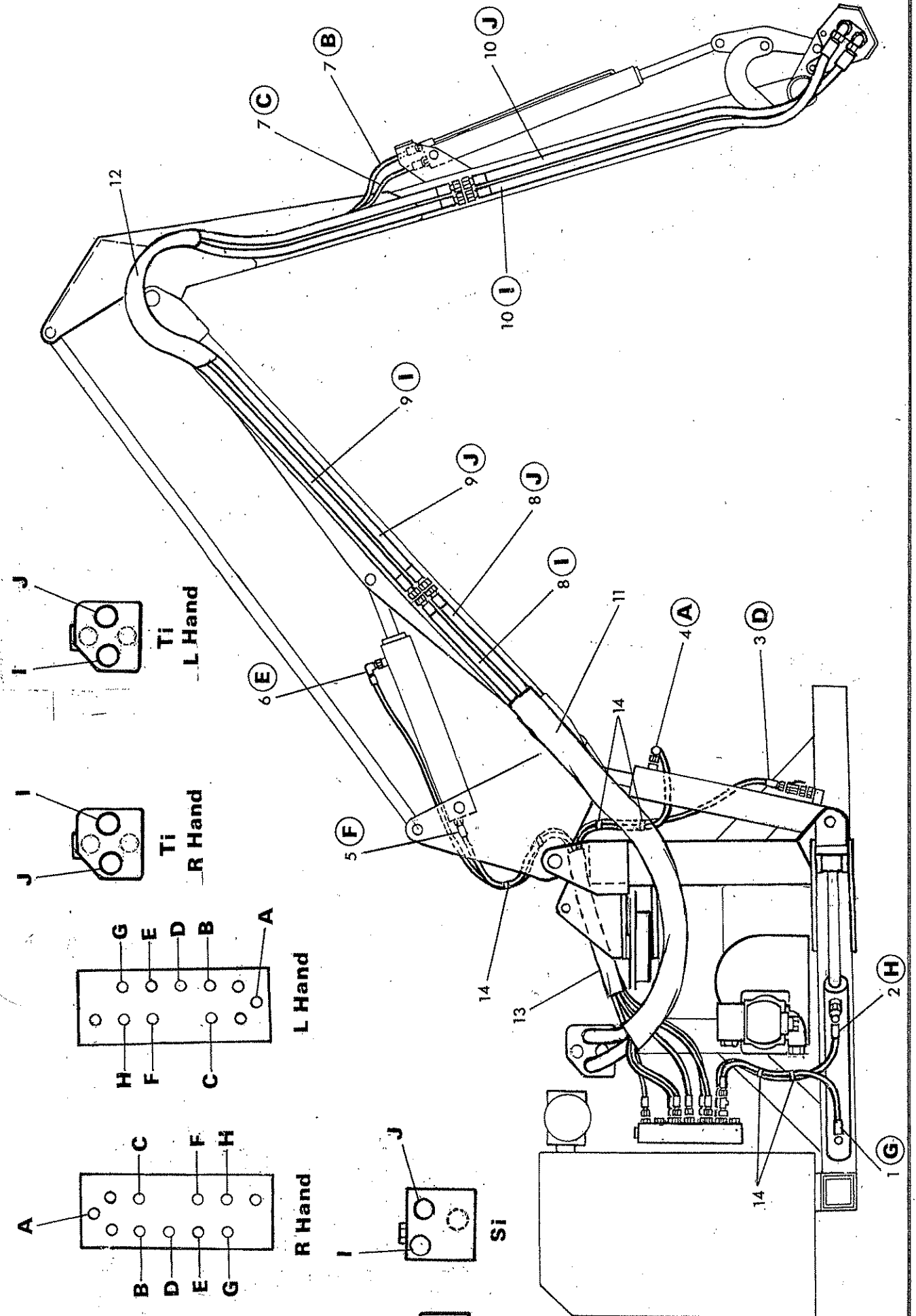
Main control valve
Rotor control valve
Pump and gearbox
Hydraulic reservoir

1	85 01 169	1	Hose 1 BSPx29" long. Pump - R.C. valve R hand
	10.011.11	1	Hose 1 BSPx550mm long. Pump-R.C. valve L hand
2	10.005.14	1	Hose 1/2 BSPx700mm Pump - main valve L hand
	10.004.12	1	Hose 1/2 BSPx600mm Pump - main valve R hand
3	10.006.20	1	Hose 1/2 BSPx1000mm Main valve-R.C. valve L hand
	10.006.20	1	Hose 1/2 BSPx1000mm Main valve-R.C. valve R hand
4	85 01 252	1	Hose 1 1/2" bore x 14" long - suction
5	85 00 800	1	Hose 1" bore x 275 mm long. R.C. valve - Tank
6	09 04 107	4	Hose clip - 1 1/2" bore
7	09 04 106	4	Hose clip 1" bore

**HOSE INSTALLATION -
service circuit**



McCONNELL



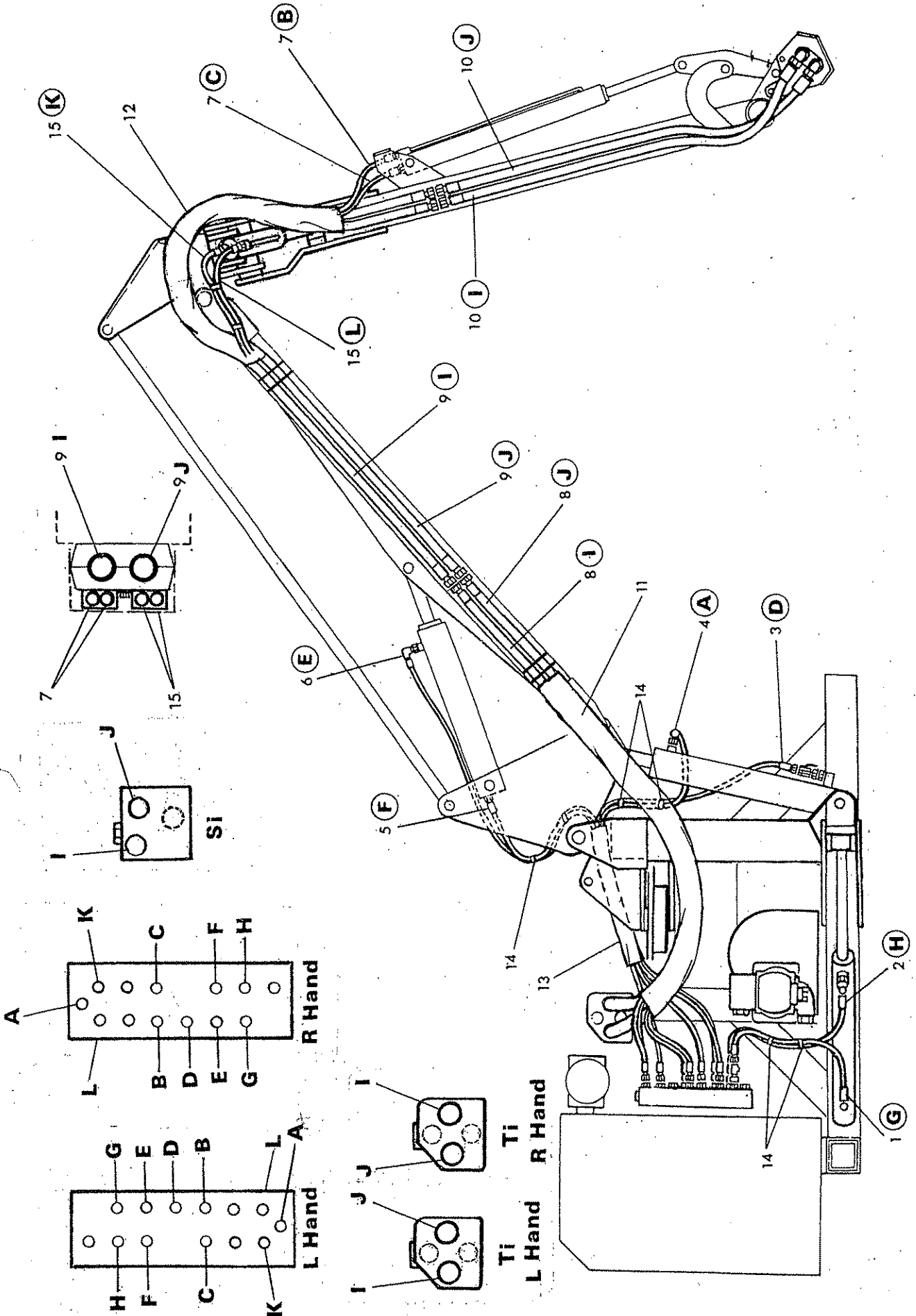


Ref	Part No	Qty	Description
HOSE INSTALLATION SERVICE CIRCUITS			
1	10.002.14	1	Hose 1/4 BSP x 700mm long - slew base
2	10.002.12	1	Hose 1/4 BSP x 600mm long - slew gland
3	10.001.26	1	Hose 1/4 BSP x 1600mm long - lift base
4	10.002.24	1	Hose 1/4 BSP x 1400mm long - lift gland
5	10.001.26	1	Hose 1/4 BSP x 1600mm long - reach base
6	10.002.31	1	Hose 1/4 BSP x 2100mm long - reach gland
7	10.001.57	2	Hose 1/4 BSP x 4700mm long - angle PA500
	10.001.63	2	Hose 1/4 BSP x 5300mm long - angle PA590
8	10.011.30	2	Hose 1" BSP x 2000mm long - R.C. valve - main arm junction
9	85 69 028	2	Hose 1" BSP x 2030mm long-dipper pivot PA500
	85 69 038	2	Hose 1" BSP x 2700mm long-dipper pivot PA590
10	85 01 098	2	Hose 1" BSP x 1220mm long - dipper junction - flail head
11	75 50 026	1	Hose sleeve 66" long
12	75 50 063	2	Hose sleeve 30" long
13	42374.13	1	Hose sleeve 650mm long
14	71 35 084	7	Hose tie

HOSE INSTALLATION - MIDCUT.
service circuit



McCONNELL



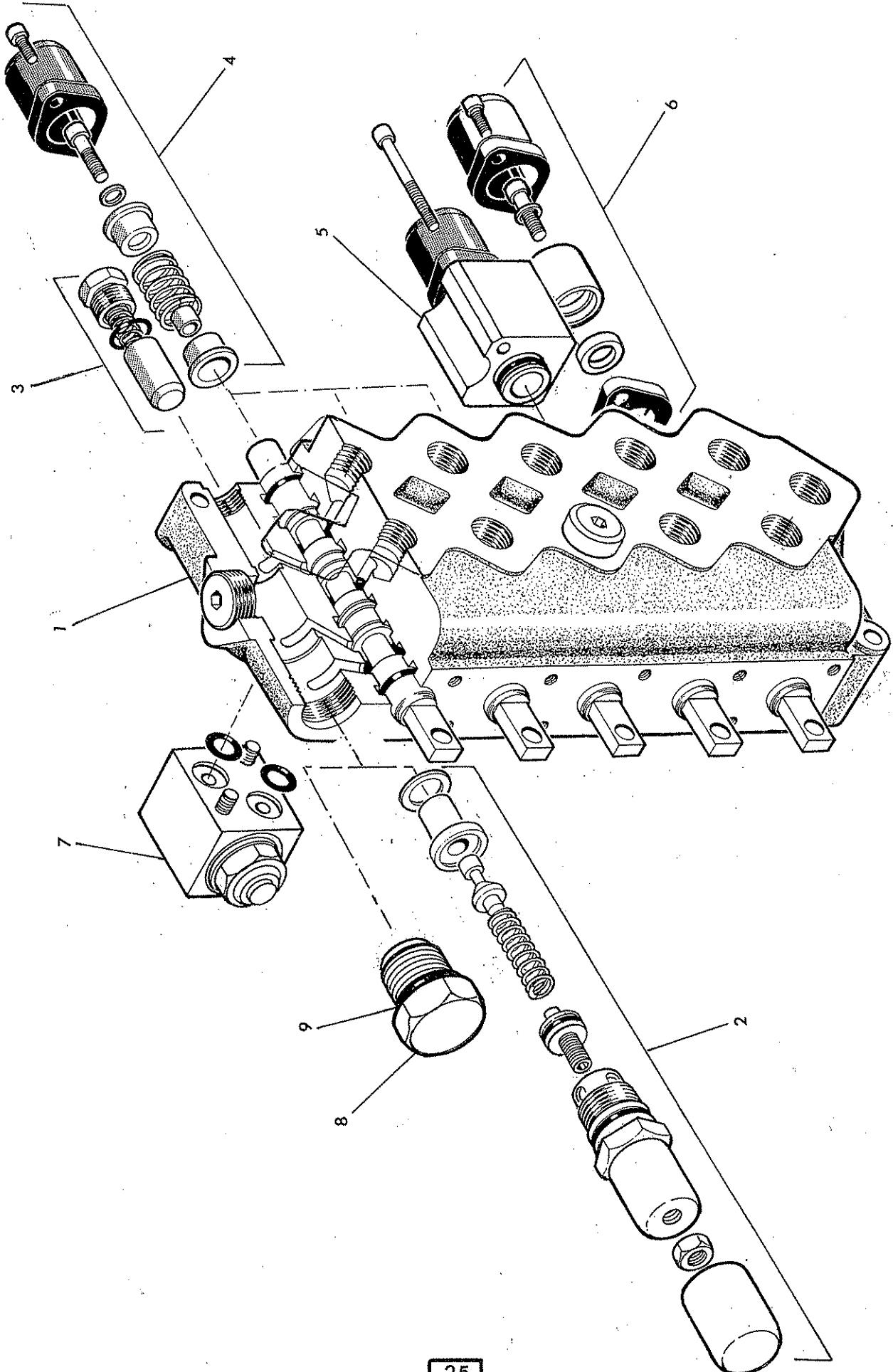


Ref	Part No	Qty	Description
HOSE INSTALLATION SERVICE, CIRCUITS			
1	10.002.14	1	Hose 1/4 BSP x 700mm long - slew base
2	10.002.12	1	Hose 1/4 BSP x 600mm long - slew gland
3	10.001.26	1	Hose 1/4 BSP x 1600mm long - lift base
4	10.002.24	1	Hose 1/4 BSP x 1400mm long - lift gland
5	10.001.26	1	Hose 1/4 BSP x 1600mm long - reach base
6	10.002.31	1	Hose 1/4 BSP x 2100mm long - reach gland
7	10.001.57	2	Hose 1/4 BSP x 4700mm long - angle
8	10.011.31	2	Hose 1" BSP x 2100mm long - R.C. valve - main arm junction
9	85 69 048	2	Hose 1" BSP x 2500mm long - dipper pivot
10	85 01 098	2	Hose 1" BSP x 1220mm long - dipper junction - flail head
11	75 50 026	1	Hose sleeve 66" long
12	75 50 373	2	Hose sleeve 70" long
13	42374.13	1	Hose sleeve 650mm long
14	71 35 084	9	Hose tie
15	10.017.48	2	Hose 1/4 BSP x 3800mm long - fold

CONTROL VALVE

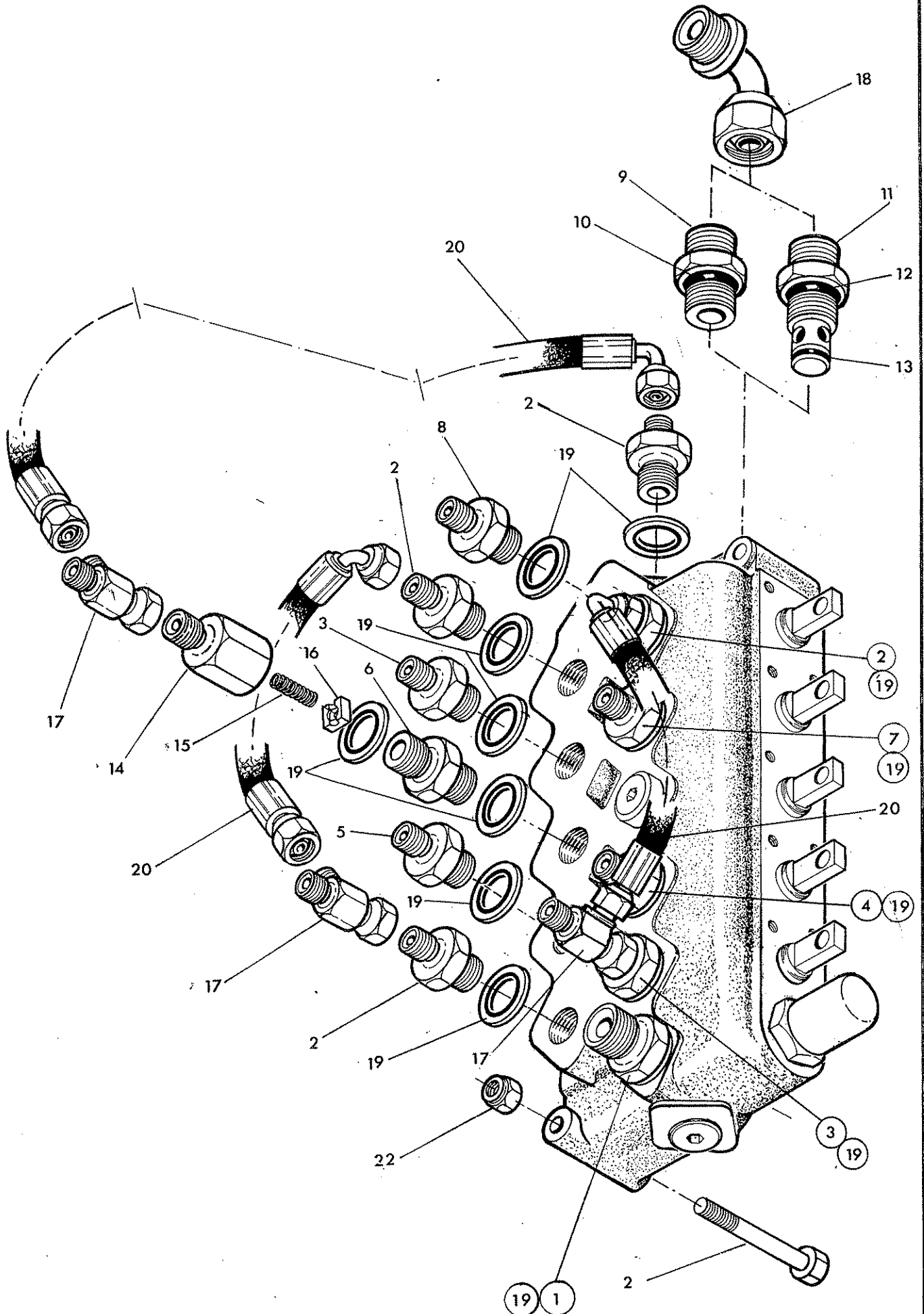


MCCORMEL





Ref	Part No	Qty	Description
CONTROL VALVE ASSEMBLY			
1	81 30 634	1	Valve assembly incl:
2	G381.2542	1	Main relief valve 190 bar
3	81 30 022	1	Non return valve
4	81 30 134	3	Centering spring assy
5	81 30 084	1	Angle float detent assy
6	81 30 133	1	Slew/auto reset detent assy
7	81 28 022	1	Slew base relief valve 210 bar
8	81 30 056	1	Relief valve blanking plug
9	86 00 113	1	'O' ring
			} closed
			- centre
			} Si only
	86 99 163	2	SEAL KIT





Ref Part No Qty Description

CONTROL VALVE FITTINGS

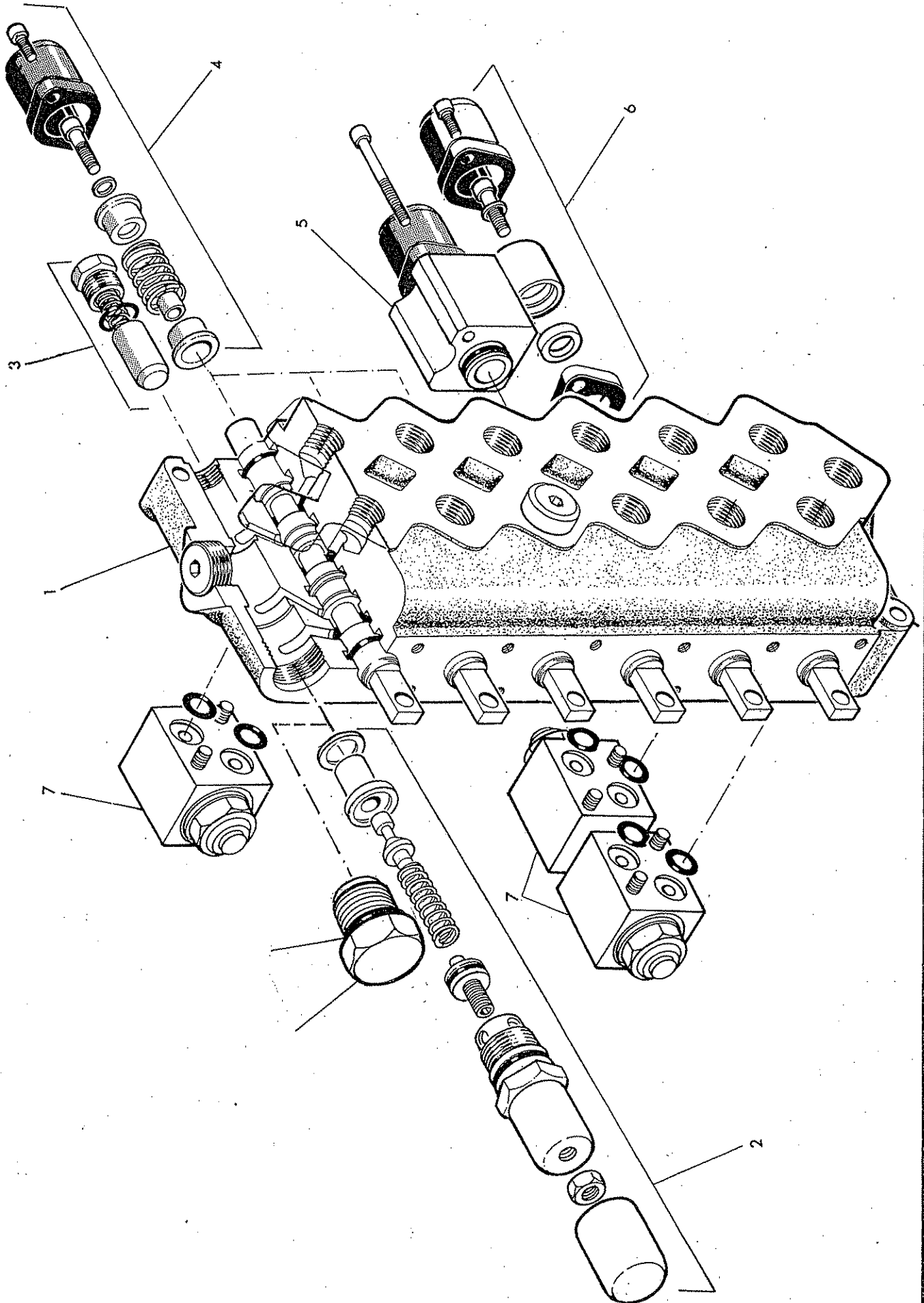
Ref	Part No	Qty	Description
1	60 00 112	1	Adaptor
2	85 81 115	4	Adaptor
3	81 30 066	2	Restrictor union 'M'
4	81 30 046	1	Restrictor union 'A'
5	81 30 047	1	Restrictor union 'B'
6	85 81 209	1	Union
7	81 30 048	1	Restrictor union 'C'
8	81 30 067	1	Restrictor union 'E'
9	85 81 371	1	Adaptor - special incl 'O' ring
10	86 00 505	1	'O' ring
11	81 30 198	1	Adaptor - special incl 'O' ring
12	86 00 505	1	'O' ring
13	86 00 501	1	'O' ring
14	85 81 214	1	Restrictor body
15	81 16 011	1	Spring
16	81 23 043	1	Restrictor disc - green
17	85 81 254	3	Tee adaptor
18	85 81 215	1	Swept elbow Ti only
19	86 50 103	13	Bonded seal
20	10.002.04	2	Hose 1/4 BSP x 200 long
21	92 13 134	3	Bolt
22	91 43 004	3	Self locking nut
23	10.002.08	1	Hose 1/4 BSP x 400 long
24	85 81 215	1	Swept elbow

} Closed
centre
Si only

CONTROL VALVE

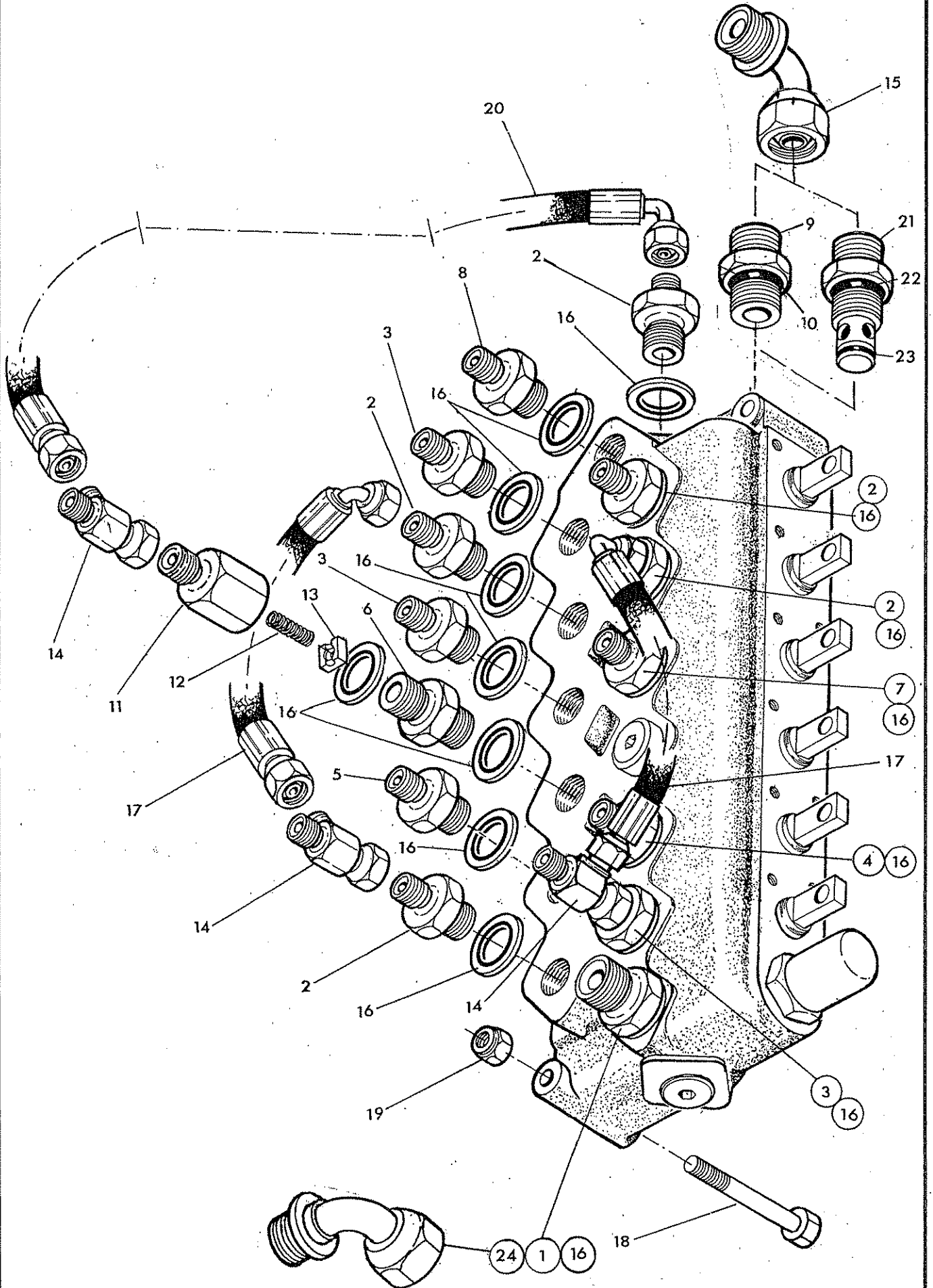


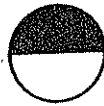
McCONNELL





Ref	Part No	Qty	Description
CONTROL VALVE ASSEMBLY MIDCUT			
1	81 30 635	1	Valve assembly incl:
2	G381.2542	1	Main relief valve 190 bar
3	81 30 022	1	Non return valve
4	81 30 134	4	Centering spring assy
5	81 30 084	1	Angle float detent assy
6	81 30 133	1	Slew/auto reset detent assy
7	81 28 022	3	Service relief valve 210 Bar
8	81 30 056	1	Relief valve blanking plug
9	86 00 113	1	'O' ring
			} closed } centre } Si only
	86 99 163	2	SEAL KIT





Ref Part No Qty Description

CONTROL VALVE FITTINGS MIDCUT

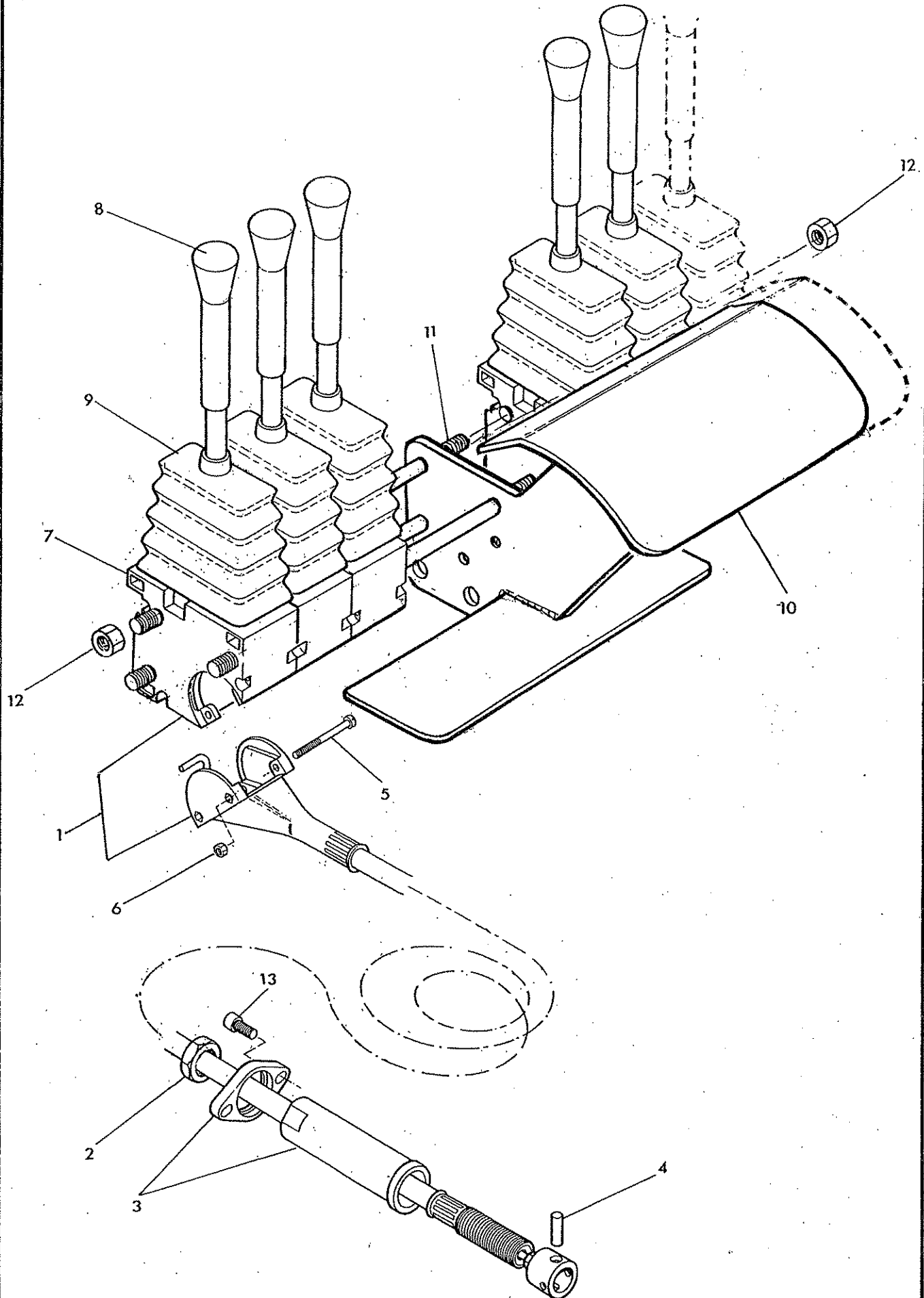
Ref	Part No	Qty	Description
1	60 00 112	1	Adaptor
2	85 81 115	5	Adaptor
3	81 30 066	3	Restrictor union 'M'
4	81 30 046	1	Restrictor union 'A'
5	81 30 047	1	Restrictor union 'B'
6	85 81 209	1	Union
7	81 30 048	1	Restrictor union 'C'
8	81 30 067	1	Restrictor union 'E'
9	85 81 371	1	Adaptor - special incl 'O' ring
10	86 00 505	1	'O' ring
11	85 81 214	1	Restrictor body
12	81 16 011	1	Spring
13	81 23 043	1	Restrictor disc - green
14	85 81 254	3	Tee adaptor
15	85 81 215	1	Swept elbow - Ti only
16	86 50 103	13	Bonded seal
17	10.002.04	2	Hose 1/4 BSP x 200 long
18	92 13 134	3	Bolt
19	91 43 004	3	Self locking nut
20	10.002.08	1	Hose 1/4 BSP x 400 long
21	81 30 198	1	Adaptor - special incl 'O' ring
22	86 00 505	1	'O' ring
23	86 00 501	1	'O' ring
24	85 81 215	1	Swept elbow

} Closed
centre
Si only

LEVER CONTROLS



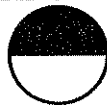
McDONNELL





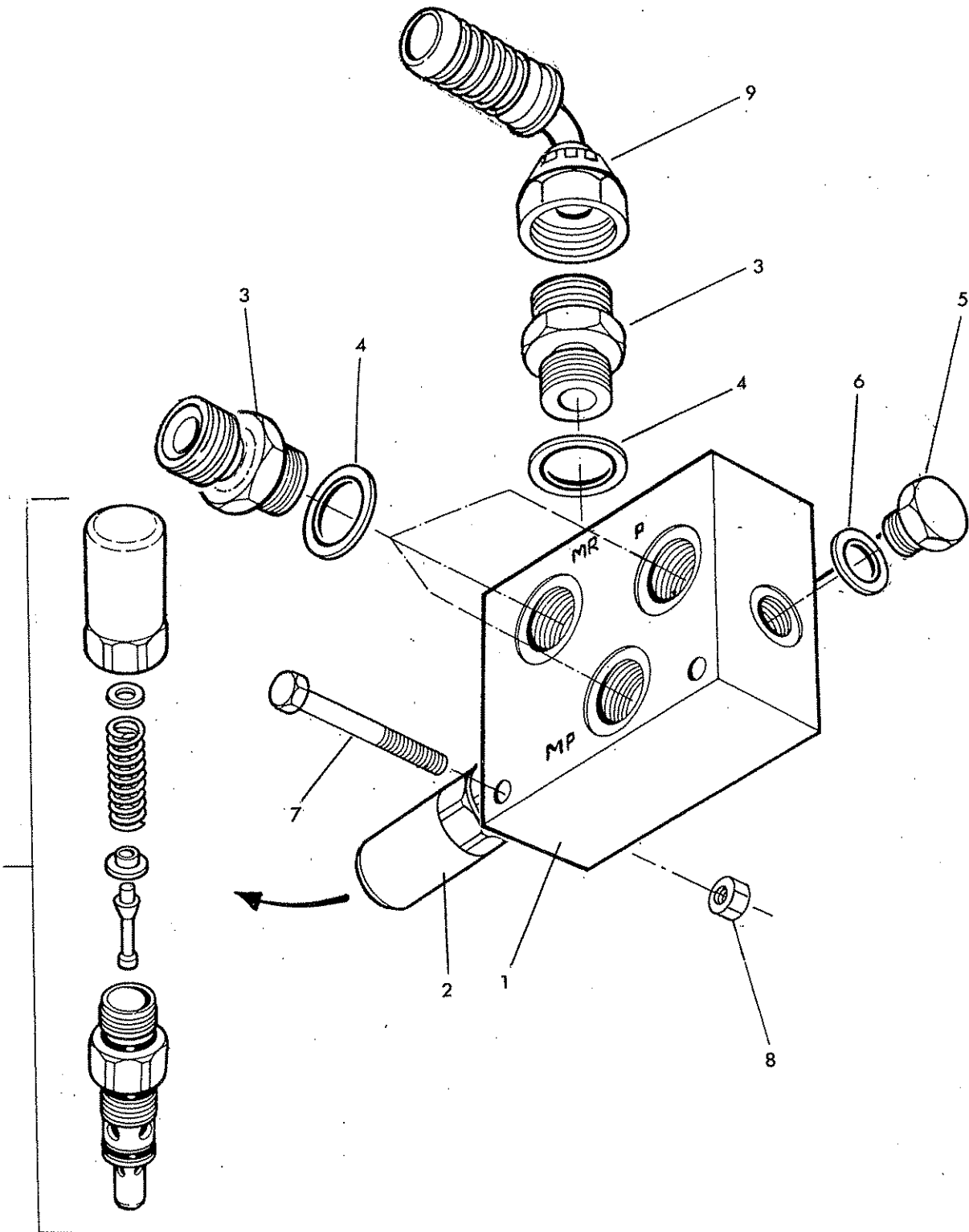
Ref	Part No	Qty	Description
LEVER CONTROLS			
1	80 17 037		Lever and cable assembly incl:
2	80 17 014	1	Locknut
3	80 17 013	1	Flange and sleeve
4	80 17 016	1	Spool eye pin
5	93 73 081	2	Screw
6	91 13 001	2	Nut
7	80 17 023	1	Lever pivot box
8	80 17 027	1	Knob
9	80 17 026	1	Weather gaiter
10	76 50 307	1	Mounting bracket
	76 50 308	1	Mounting bracket - midcut
11	04.282.71	3	Tie rod
	04.282.72	3	Tie rod - midcut
12	91 43 003	6	Self locking nut
13	93 43 022		Capscrew

ROTOR RELIEF VALVE



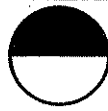
McCormel

S.I. only

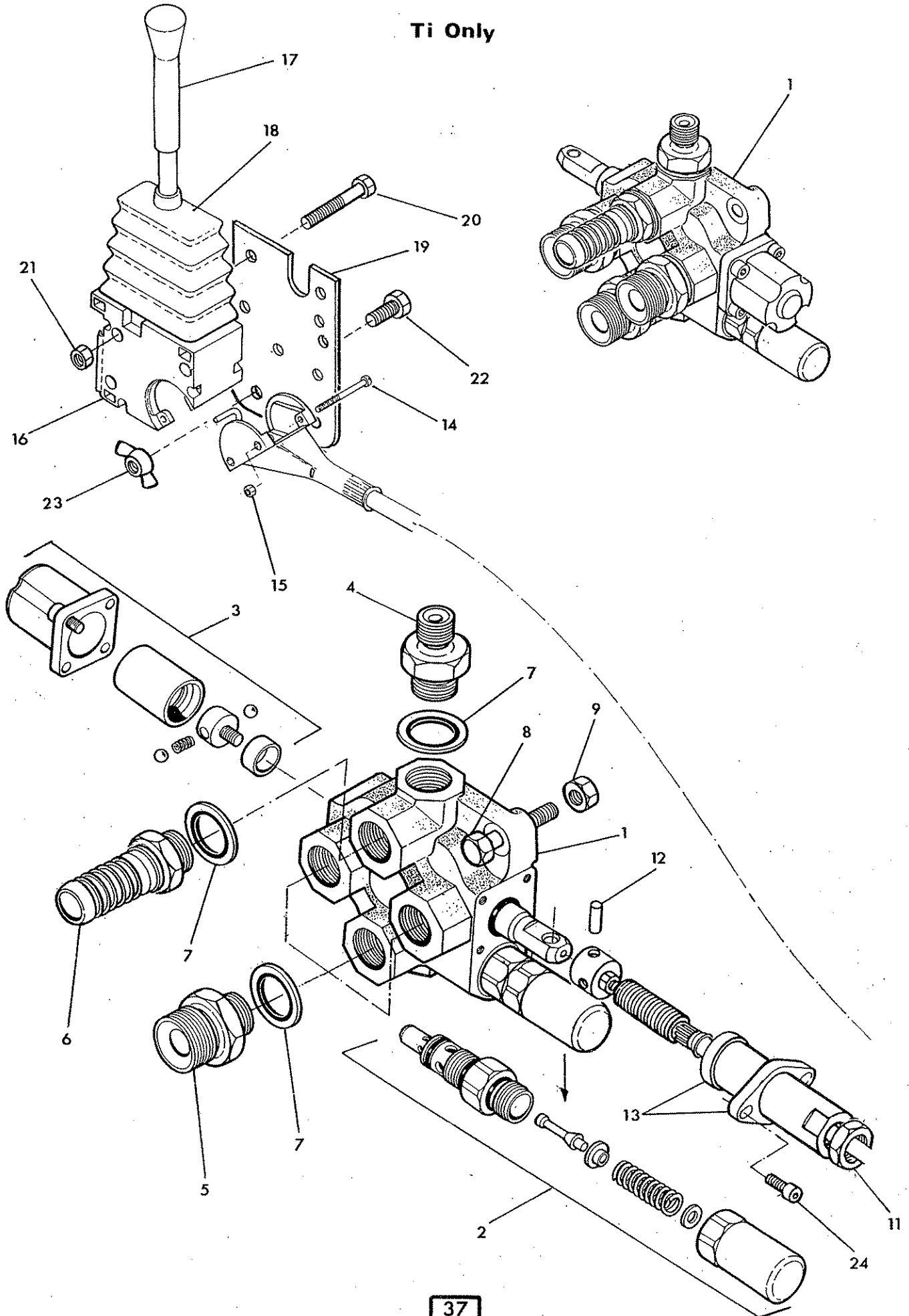




Ref	Part No	Qty	Description
	74 50 725		ROTOR RELIEF VALVE ASSEMBLY (SI MODELS ONLY)
1	81 25 352	1	Valve block
2	81 25 095	1	Relief valve cartridge 210 bar
3	80 02 086	4	Adaptor
4	86 50 106	4	Bonded seal
5	80 03 001	1	Plug
6	86 50 103	1	Bonded seal
7	92 13 135	2	Bolt
8	91 43 005	4	Self locking nut
9	71 14 005	1	Elbow

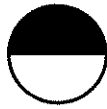


Ti Only

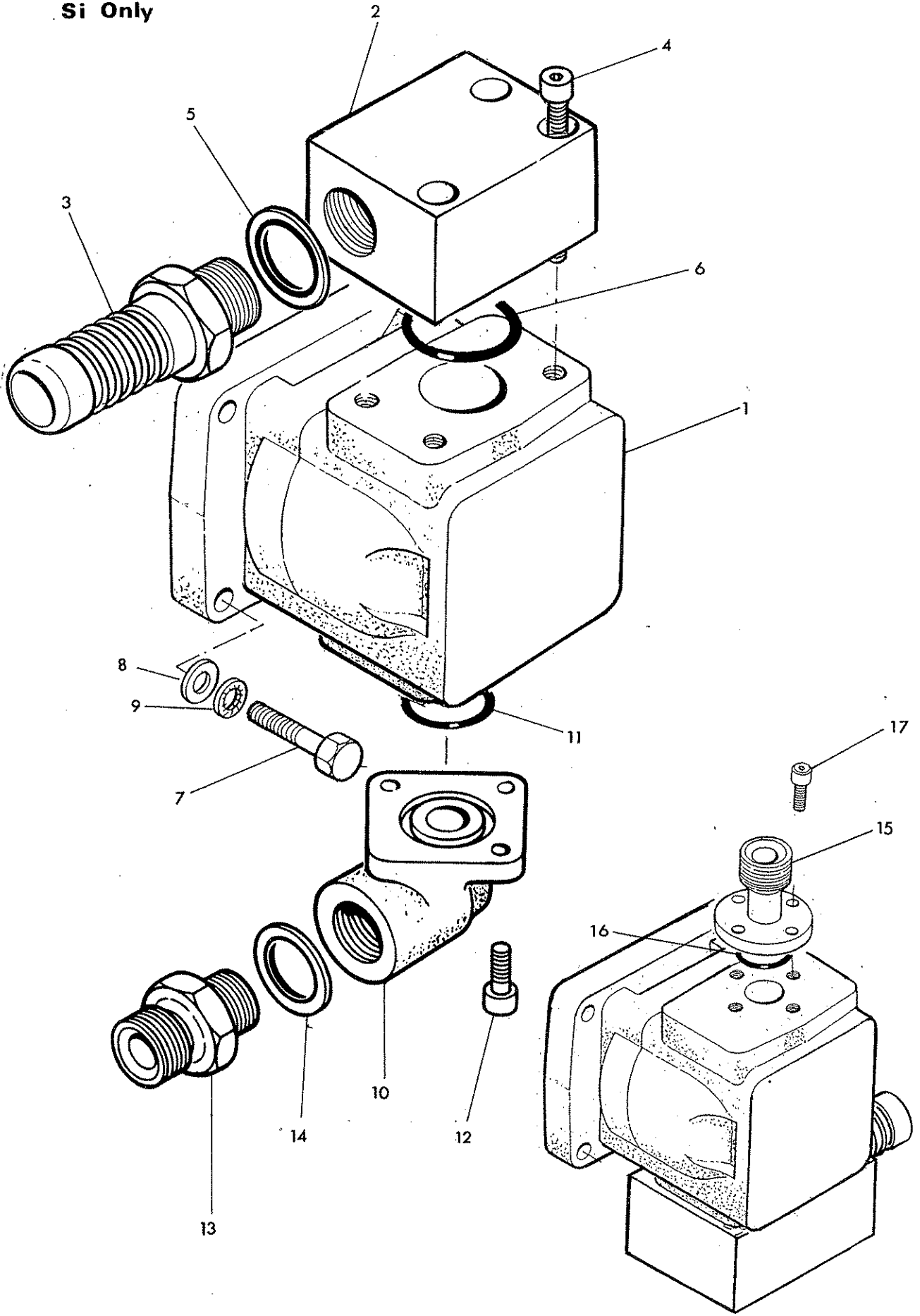


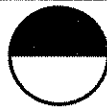


Ref	Part No	Qty	Description
ROTOR CONTROL VALVE ASSEMBLY			
1	81 25 355	1	Rotor control valve - R hand as exploded
	81 25 385	1	Rotor control valve - L hand as inset
2	81 25 095	1	Relief valve
3	81 25 109	1	Detent assembly
4	85 81 130	1	Adaptor
5	80 02 086	3	Adaptor
6	85 81 246	1	Adaptor low pressure
7	86 50 106	5	Bonded seal
8	92 13 085	2	Bolt
9	91 43 005	2	Self locking nut
10	80 17 045	1	Lever & cable assembly - rotor control compr:
11	80 17 014	1	Locknut
12	80 17 021	1	Pin
13	80 17 018	1	Flange and sleeve
14	93 73 081	2	Screw
15	91 13 001	2	Nut
16	80 17 024	1	Lever pivot box
17	09.968.99	1	Knob
18	80 17 026	1	Weather gaiter
19	76 50 282	1	Lever mounting plate
20	92 13 113	3	Bolt
21	91 43 003	3	Self locking nut
22	93 13 034	2	Setscrew
23	91 93 004	2	Wingnut
24	93 43 023	10	Capscrew
86 99 218		SEAL KIT	



Si Only





Ref	Part No	Qty	Description
			PUMP ASSEMBLY - SI R HAND - as exploded
1	82 01 686	1	Pump
2	42142.01	1	Suction flange
3	85 81 260	1	Adaptor low pressure
4	92 43 126	3	Capscrew
5	86 50 109	1	Bonded seal
6	86 00 304	1	'O' ring
7	93 13 074	4	Bolt
8	91 00 104	4	Plain washer
9	91 00 404	4	Shakeproof washer
10	80 05 052	1	Pressure connection
11	86 00 403	1	'O' ring
12	93 00 147	3	Capscrew
13	80 02 086	1	Adaptor
14	86 50 106	1	Bonded seal

86 99 235 SEAL KIT

86 29 209 Shaft seal

PUMP ASSEMBLY - SI L HAND

The parts list is identical with the following exceptions:

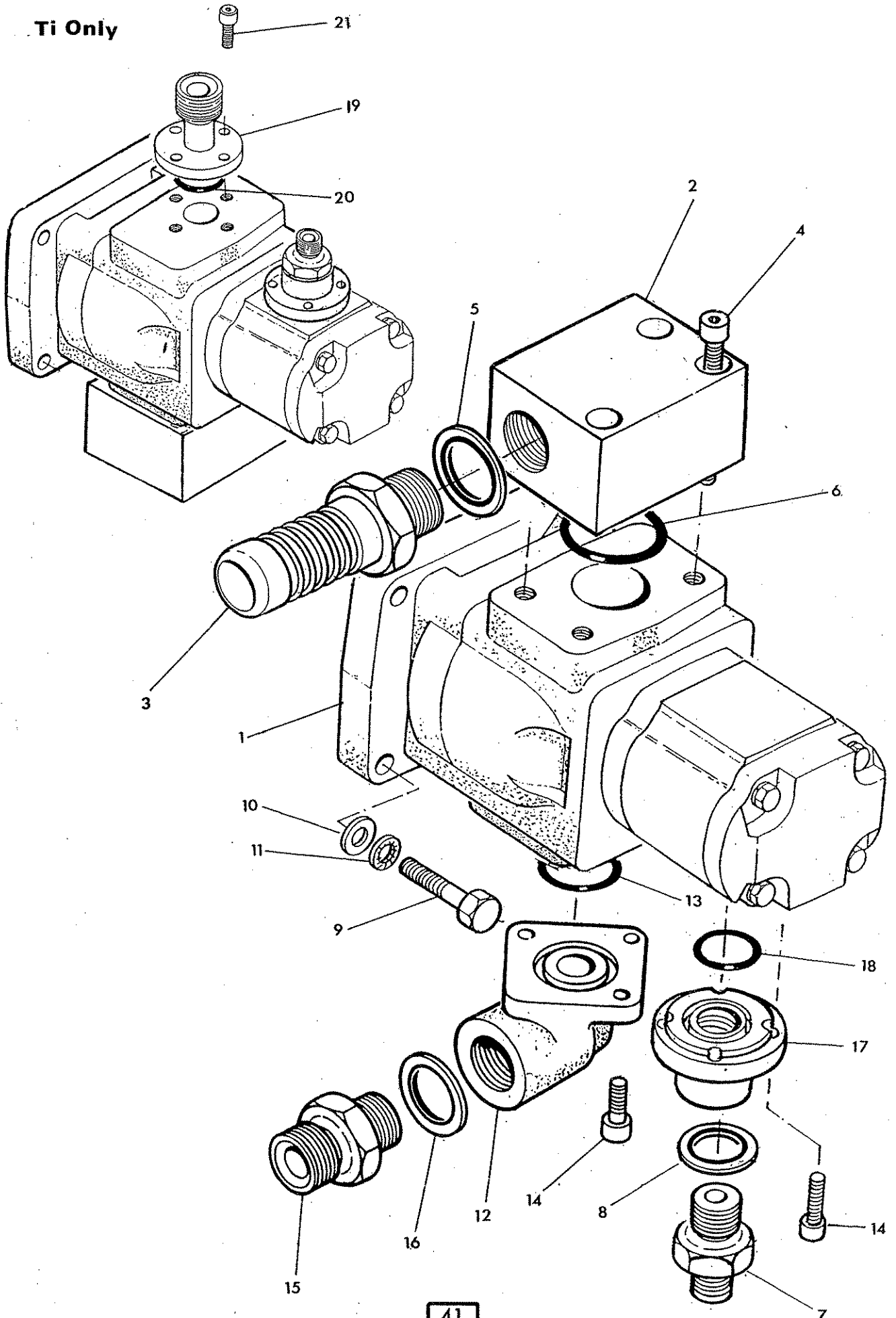
15	80 13 090	1	Pressure connection
16	86 00 117	1	'O' ring
17	93 00 141	4	Capscrew

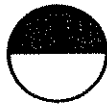
PUMP



McCONEL

Ti Only





Ref	Part No	Qty	Description
PUMP ASSEMBLY - Ti R hand as exploded			
1	82 01 700	1	Tandem pump compr:
	82 01 165	1	Large pump
	82 01 166	1	Small pump
2	42142.01	1	Suction flange
3	85 81 260	1	Adaptor low pressure
4	92 43 126	3	Capscrew
5	86 50 109	1	Bonded seal
6	86 00 304	1	'O' ring
7	85 81 110	1	Adaptor
8	86 50 104	1	Bonded seal
9	93 13 074	4	Bolt
10	91 00 104	4	Plain washer
11	91 00 404	7	Shakeproof wahser
12	80 05 052	1	Pressure connection
13	86 00 403	1	'O' ring
14	93 00 147	7	Capscrew
15	80 02 086	1	Adaptor
16	86 50 106	1	Bonded seal
17	42029.01	1	Pressure connection
18	86 00 405	1	'O' ring

PUMP ASSEMBLY - L hand

The parts list is identical with the following exceptions:

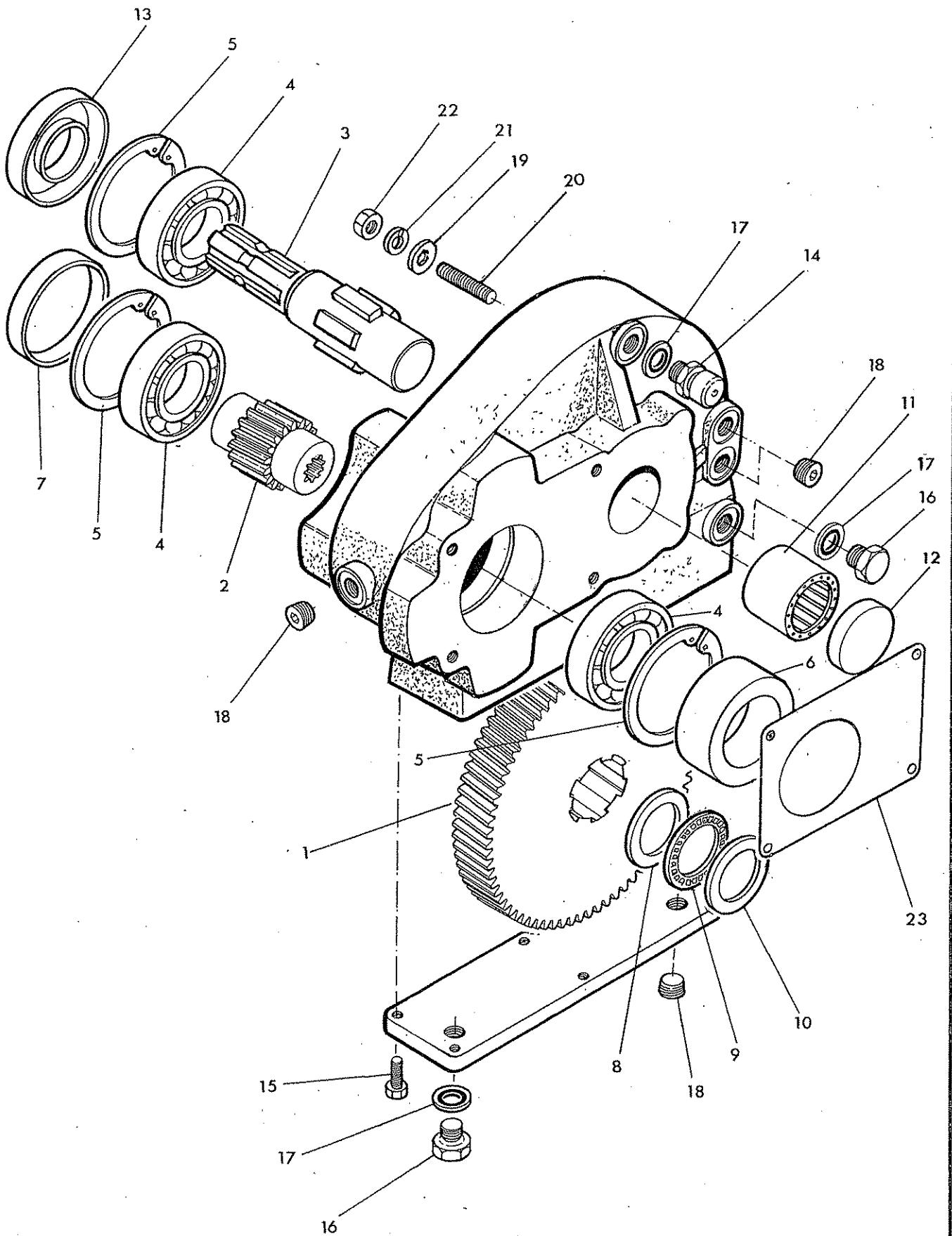
19	80 13 090	1	Pressure connection
20	86 00 117	1	'O' ring
21	93 00 141	4	Capscrew

86 99 234	SEAL KIT
86 29 209	Shaft seal

GEARBOX



MCCORMICK



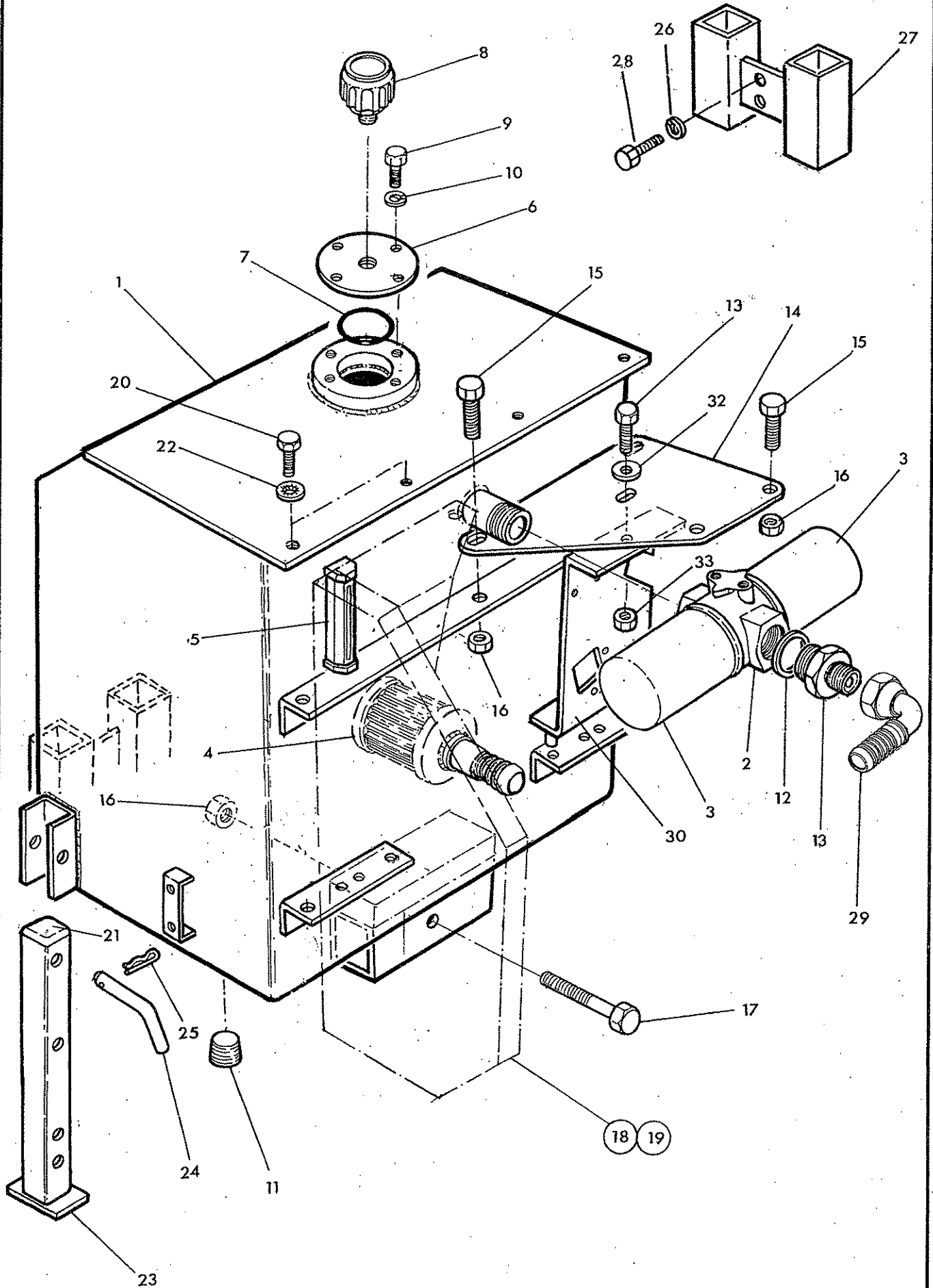


Ref	Part No	Qty	Description
	42693.03		GEARBOX ASSEMBLY incl:
1	80 13 103	1	Gear - 72 teeth
2	42693.33	1	Pinion - 17 teeth
3	42693.34	1	Input shaft
4	06 00 042	3	Bearing
5	42693.36	3	Internal circlip
6	42693.48	1	Spacing collar
7	42693.40		Blanking plug
8	42693.45	1	Shaft piloted washer
9	42693.46	1	Thrust roller bearing
10	42693.47	1	Housing piloted washer
11	42693.44	1	Needle roller bearing
12	42693.49	1	Blanking plug
13	42693.39	1	Seal
14	42693.58	1	Breather
15	93 13 044	6	Setscrew
16	85 81 113	2	Hexagon plug
17	86 50 102	3	Bonded seal
18	42693.41	4	Taper plug - socket headed
19	91 00 106	4	Plain washer
20	04 282 17	4	Stud
21	91 00 206	4	Spring washer
22	91 13 006	4	Plain nut
23	80 13 056	1	Gasket

TANK



McCONNEL

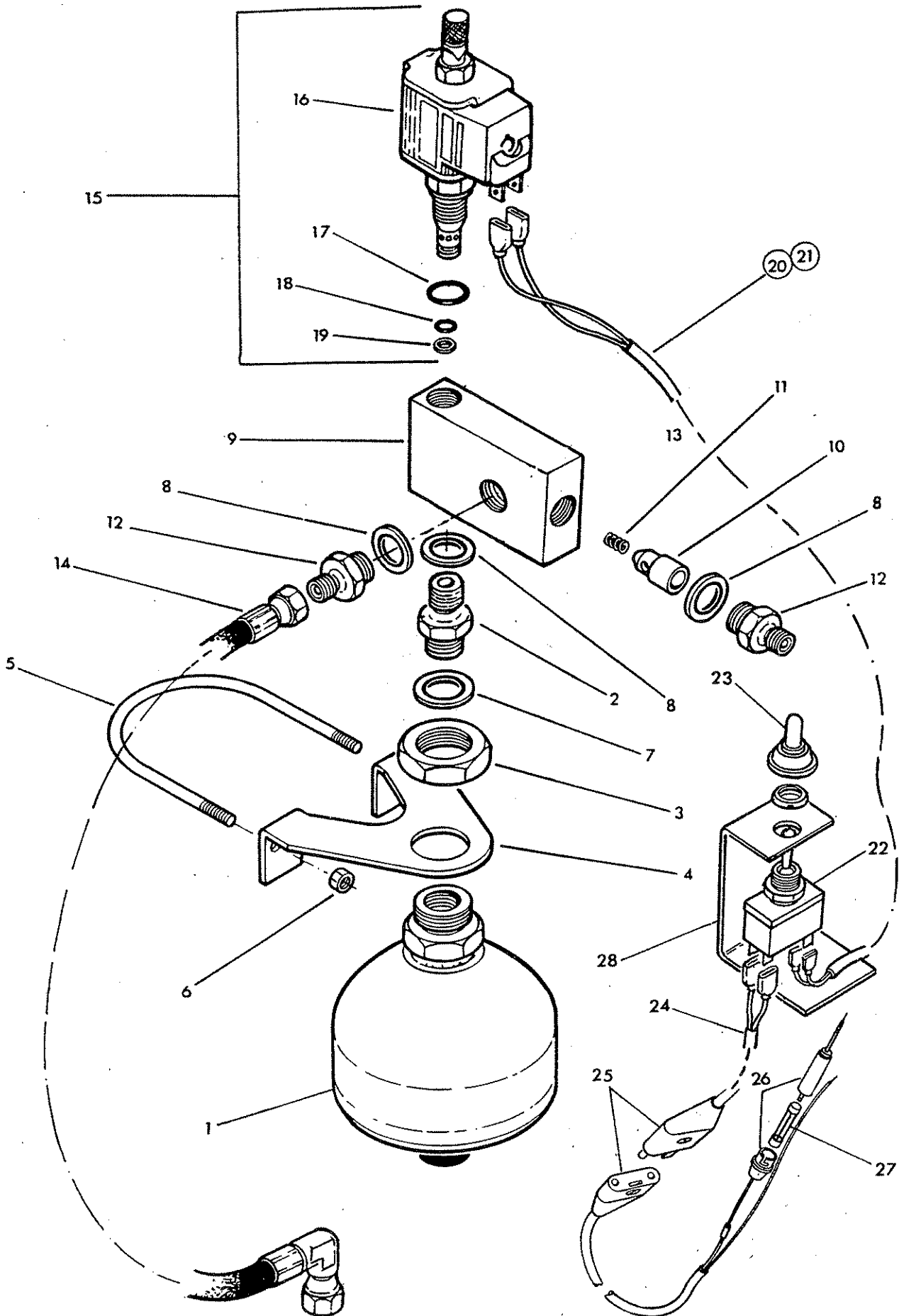




Ref	Part No	Qty	Description
-----	---------	-----	-------------

OIL TANK AND FITTINGS

1	41523.03	1	Oil tank	
2	84 01 060	1	Filter head	
3	84 01 041	2	Filter element	
4	84 01 047	1	Strainer	
5	84 01 048	1	Level guage	
6	71 92 063	1	Cover	
7	86 00 151	1	'O' ring	
8	84 01 063	1	Breather	
9	93 13 054	4	Setscrew	
10	91 00 204	4	Spring washer	
11	85 81 203	1	Drain plug	
12	86 50 224	1	Bonded seal	
13	85 81 291	1	Adaptor	
14	41553.02	1	Tank stay bracket	
15	93 13 066	4	Setscrew	
16	91 43 006	5	Self locking nut	
17	92 13 226	1	Bolt	
18	41529.03	1	Tank fairing - L hand	
19	41529.04	1	Tank fairing - R hand	
20	93 13 035	2	Setscrew	
21	71 91 108	2	Plastic bung	
22	91 00 305	2	Shakeproof washer	
23	41773.01	2	Stand leg	
24	71 92 023	2	Leg pin	
25	04 31 105	2	Spring cotter	
26	91 00 205	2	Spring washer	
27	41743.01	1	Leg stow bracket	
28	91 13 065	2	Setscrew	
29	71 14 005	1	Swept elbow	low pressure
30	43026.01	1	Valve mounting bracket	} cable machines only
31	93 13 045	1	Setscrew	
32	91 00 105	1	Plain washer	
33	93 43 005	1	Self locking nut	



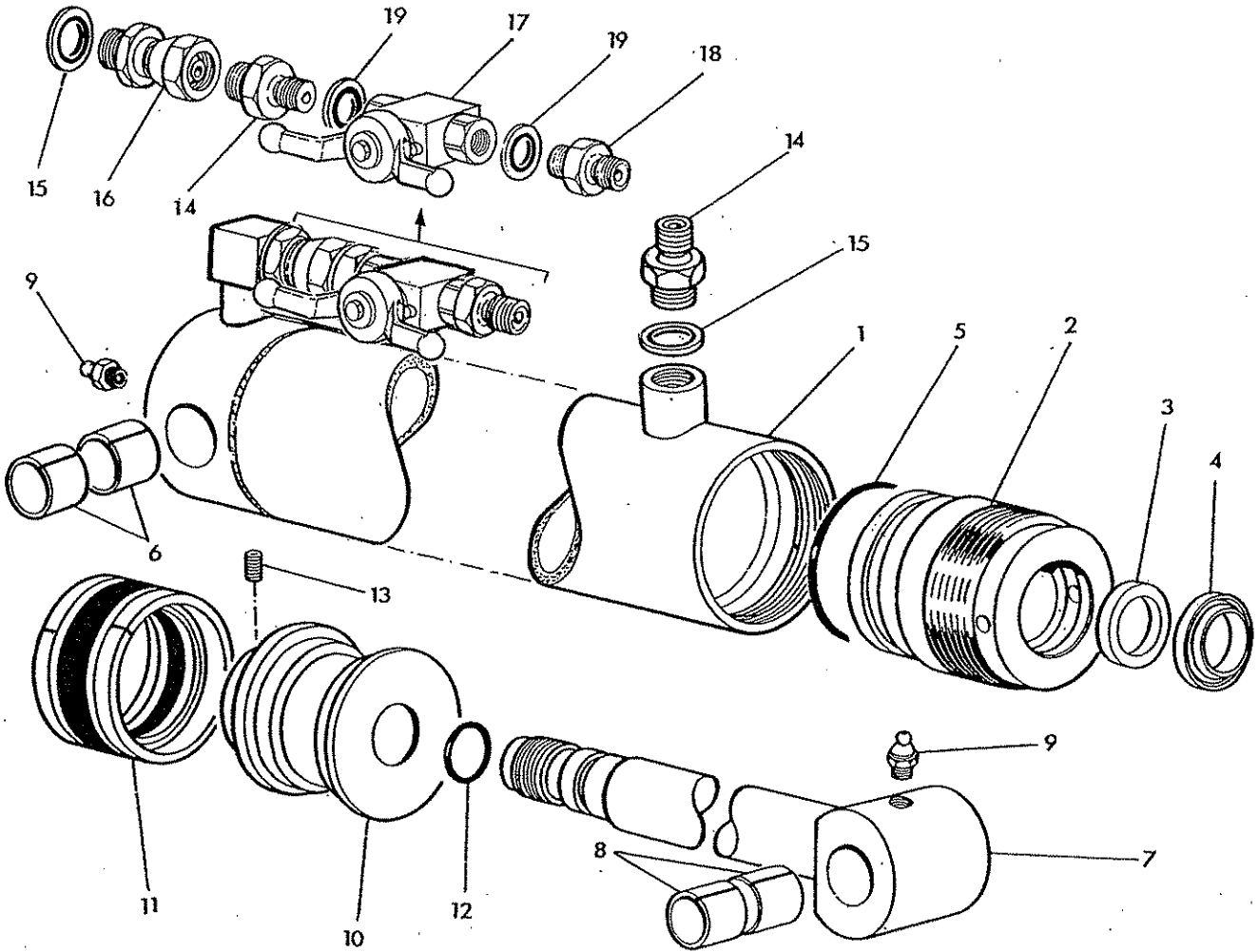


Ref	Part No	Qty	Description
	81 26 312		LIFT FLOAT KIT - Quick response
1	81 26 042	1	Accumulator
2	G241 0380	1	Adaptor
3	81 26 035	1	Bulkhead nut
4	81 26 309	1	Bracket
5	81 26 039	1	U bolt
6	91 43 004	2	Self locking nut
7	86 50 322	1	Bonded seal
8	86 50 103	3	Bonded seal
9	81 26 287	1	Control block
10	81 26 037	1	Response piston
11	81 16 011	1	Spring
12	85 81 115	2	Adaptor
13	12 90 061	1	Operating sticker
14	85 35 012	1	Hose 1/4 BSP x 12" long SF-90F
15	81 30 183	1	Poppet valve including:
16	81 30 184	1	Coil
17	87 00 017	1	'O' ring
18	87 00 511	1	'O' ring
19	87 09 511	1	Anti extrusion ring
20	84 02 194	1	Cable assy including:
21	84 02 194/1	1	Cable
22	84 02 091	1	Switch
23	84 02 024	1	Switch cover
24	84 02 284	1	Supply harness incl:
25	84 02 062	1	Plug/socket
26	84 02 114	1	Fuse holder
27	84 02 037	1	Fuse 10 amp
28	71 92 081	1	Switch mounting bracket

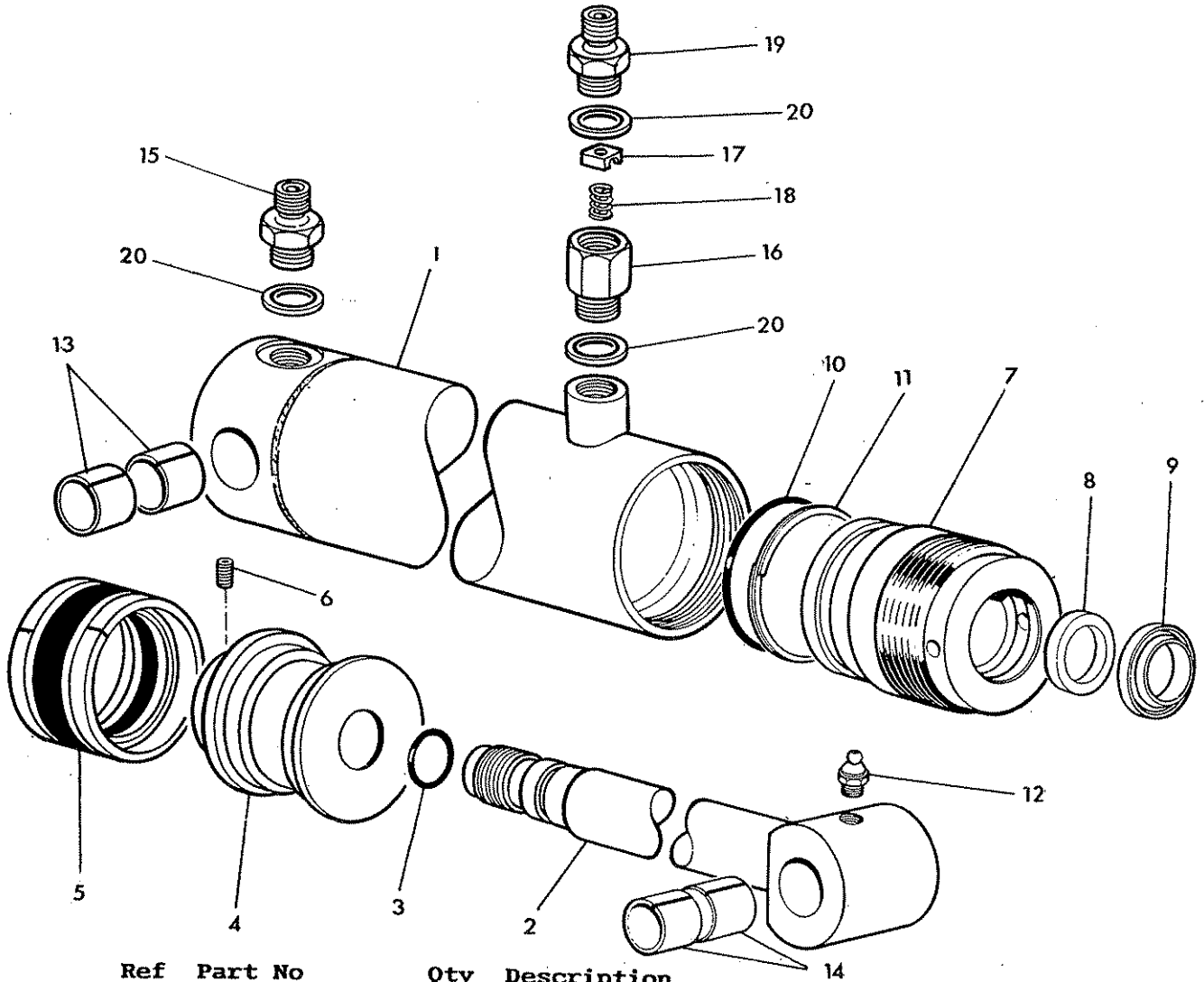
LIFT RAM



McCONNEL



Ref	Part No	Qty	Description
	42095.02		LIFT RAM ASSEMBLY
	42095.01	1	Lift ram compr:
1	42095.31	1	Barrel
2	42095.38	1	Gland housing
3	86 29 158	1	Gland seal
4	86 29 152	1	Rod wiper
5	86 00 742	1	'O' ring
6	71 01 134	2	Bush
7	42968.01	1	Rod
8	60 12 032	2	Bush
9	09 01 121	2	Greaser
10	42095.34	1	Piston
11	86 38 742	1	Piston seal
12	86 00 119	1	'O' ring
13	93 63 023	1	Grubscrew
14	85 81 115	2	Union
15	86 50 103	2	Bonded seal
16	85 81 178	1	Swivel union
17	81 30 181	1	Tap
18	85 81 169	1	Union
19	86 50 102	2	Bonded seal
	86 99 249		SEAL KIT



Ref	Part No	Qty	Description
	41565.03		SLEW RAM ASSEMBLY
1	41565.31	1	Cylinder
2*	41565.33	1	Rod
3	86 00 119	1	'O' ring
4*	71 35 004	1	Piston
5	86 38 740	1	Piston seal
6*	93 63 023	1	Grubscrew socket head
7	71 35 282	1	Gland housing
8	86 29 164	1	Gland seal
9	86 29 147	1	Wiper seal
10	87 00 740	1	'O' ring
11	87 09 740	1	Anti extrusion ring
12	09 01 121	1	Greaser
13	71 01 134	2	Bush - cylinder
14	60 12 032	2	Bush - rod
15	85 81 145	1	Adaptor
16	85 81 208	1	Restrictor body
17	81 23 041	1	Restrictor disc - red
18	81 16 011	1	Spring
19	85 81 145	1	Adaptor
20	86 50 103	3	Bonded seal

86 99 187

SEAL KIT

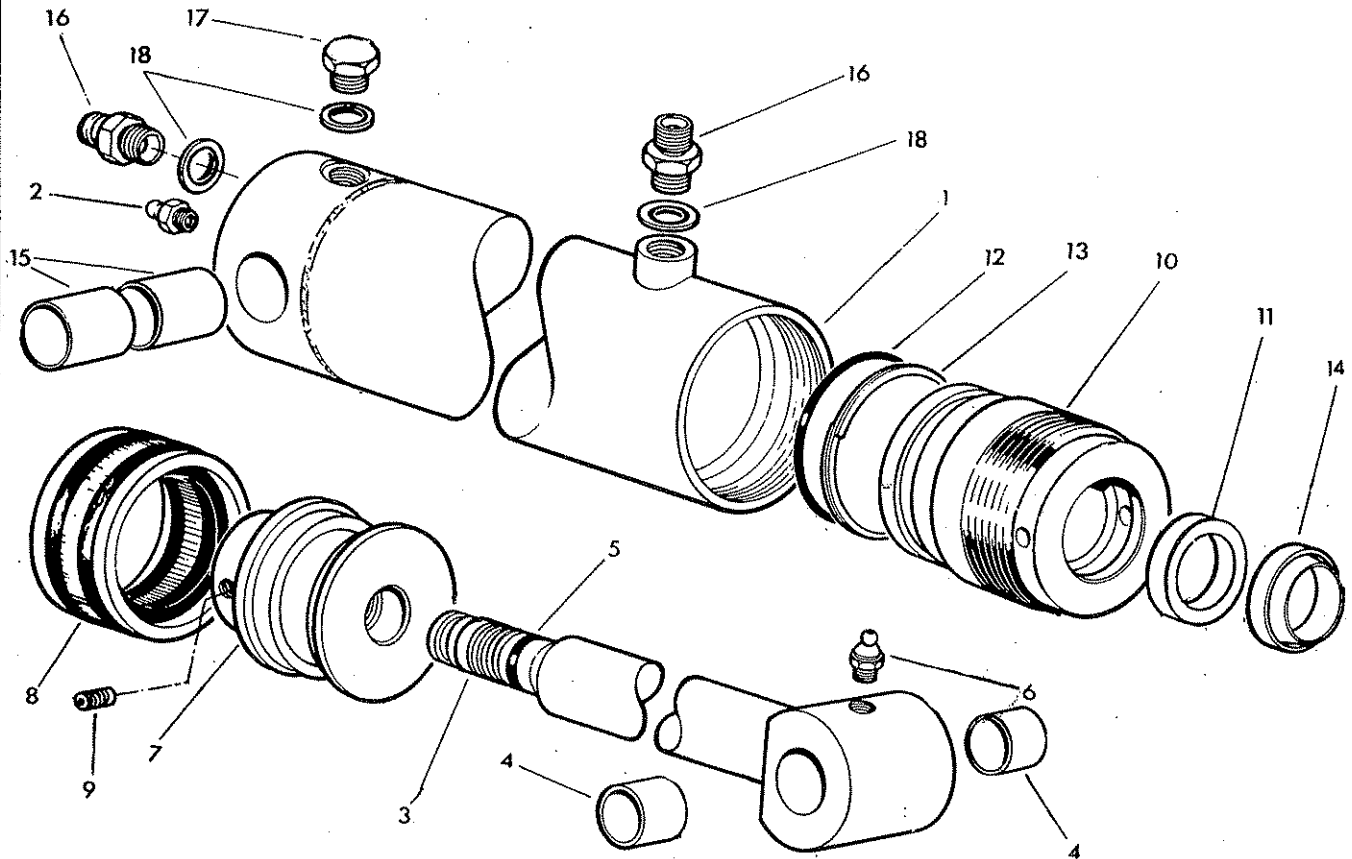
*** Assembly note:**

Assemble piston onto rod using 'Permabond A113' or similar medium strength thread locking compound. Tighten grubscrew firmly and centre punch.

REACH RAM



MCCORMEL



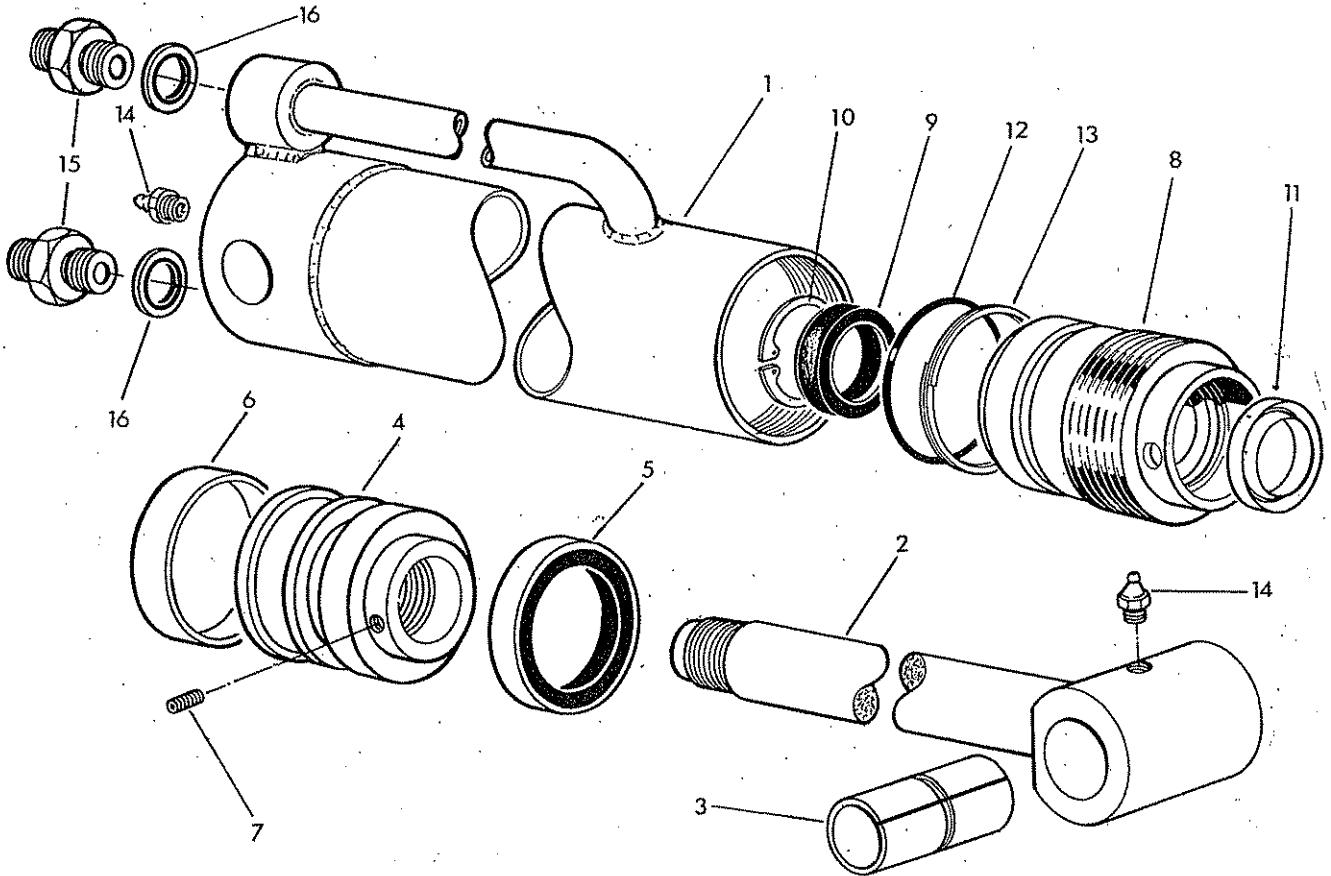
Ref.	Part No.	Qty.	Description
	71 93 334		REACH RAM ASSEMBLY
1	71 35 283	1	Ram cylinder
2	09 01 121	1	Greaser
3	71 93 029	1	Piston rod
4	60 12 032	2	Bush
5	86 00 119	1	'O' ring
6	09 01 121	1	Greaser
7	71 35 004	1	Piston c/w seal and grub screw
8	86 38 740	1	Piston seal
9	93 63 023	1	Grub screw socket headed
10	71 35 282	1	Gland housing
11	86 29 164	1	Gland seal
12	87 00 740	1	'O' ring
13	87 09 740	1	Anti extrusion ring
14	86 29 147	1	Wiper
15	71 01 134	2	Bush - ram base
16	85 81 115	2	Union
17	80 03 001	1	Plug
18	86 50 103	3	Bonded seal
	86 99 187		SEAL KIT

Assembly note Fully tighten item 9 and centre pop edge of hole to retain.

ANGLING RAM



McCORMEL

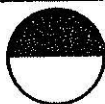


Ref.	Part No.	Qty.	Description
	75-60-344		ANGLING RAM ASSEMBLY
1	71-35-292	1	Cylinder
2	71-35-009	1	Rod
3	71-05-050	1	Bush
4	75-60-095	1	Piston
5	86-29-187	1	Piston seal
6	86-29-188	1	Bearing ring
7*	93-63-023	1	Grub screw socket head
8	71-35-291	1	Gland housing
9	86-29-148	1	Gland seal
10	04-16-240	1	Internal circlip
11	86-29-149	1	Wiper seal
12	86-00-302	1	'O' ring
13	86-09-302	1	Anti extrusion ring
14	09-01-121	2	Greaser
15	85-81-169	2	Union
16	86-50-102	2	Bonded seal
	86-99-188		SEAL KIT

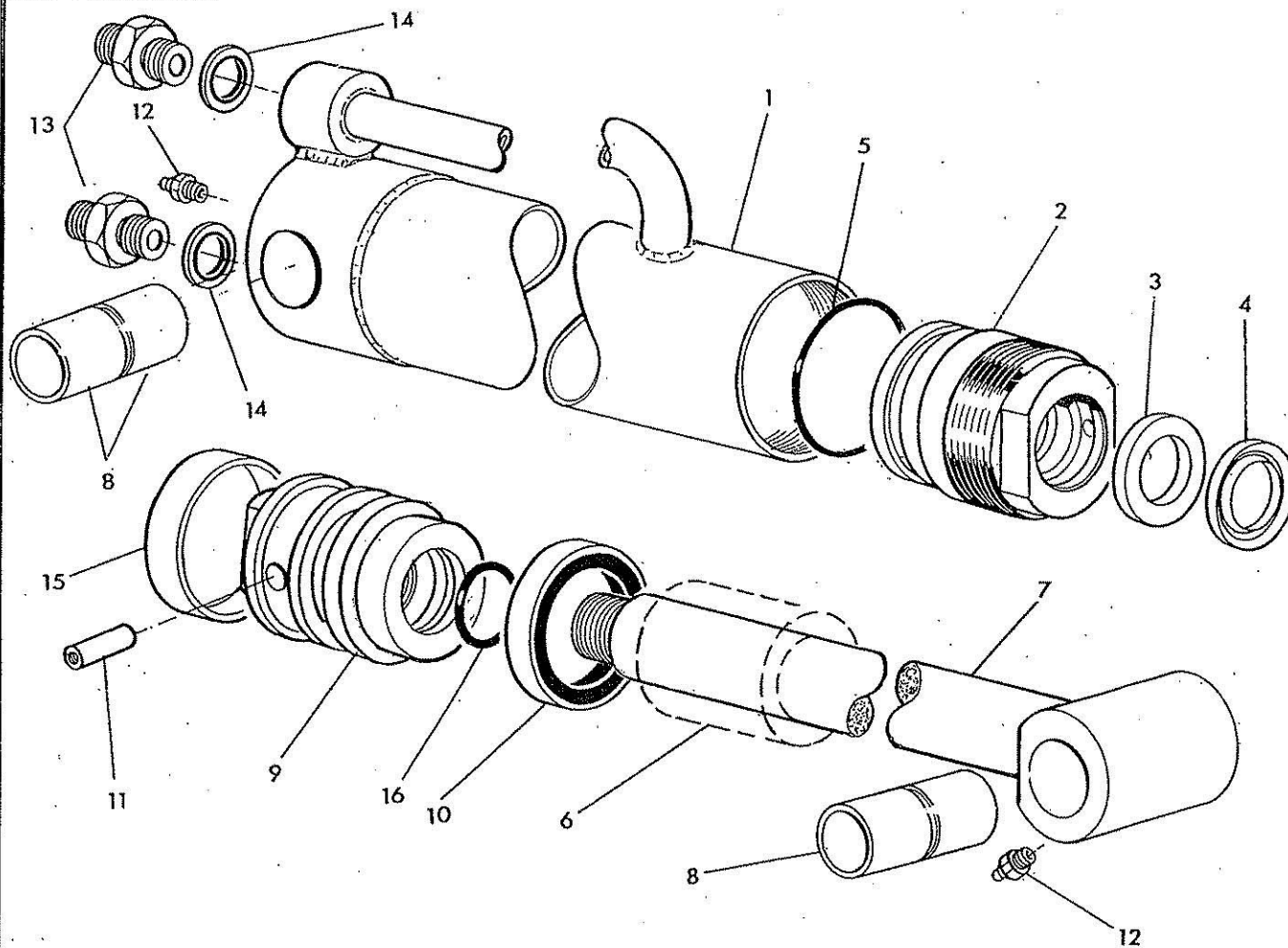
*** Assembly note**

Tighten fully and centre punch edge of hole to secure.

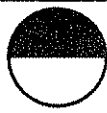
FOLD RAM



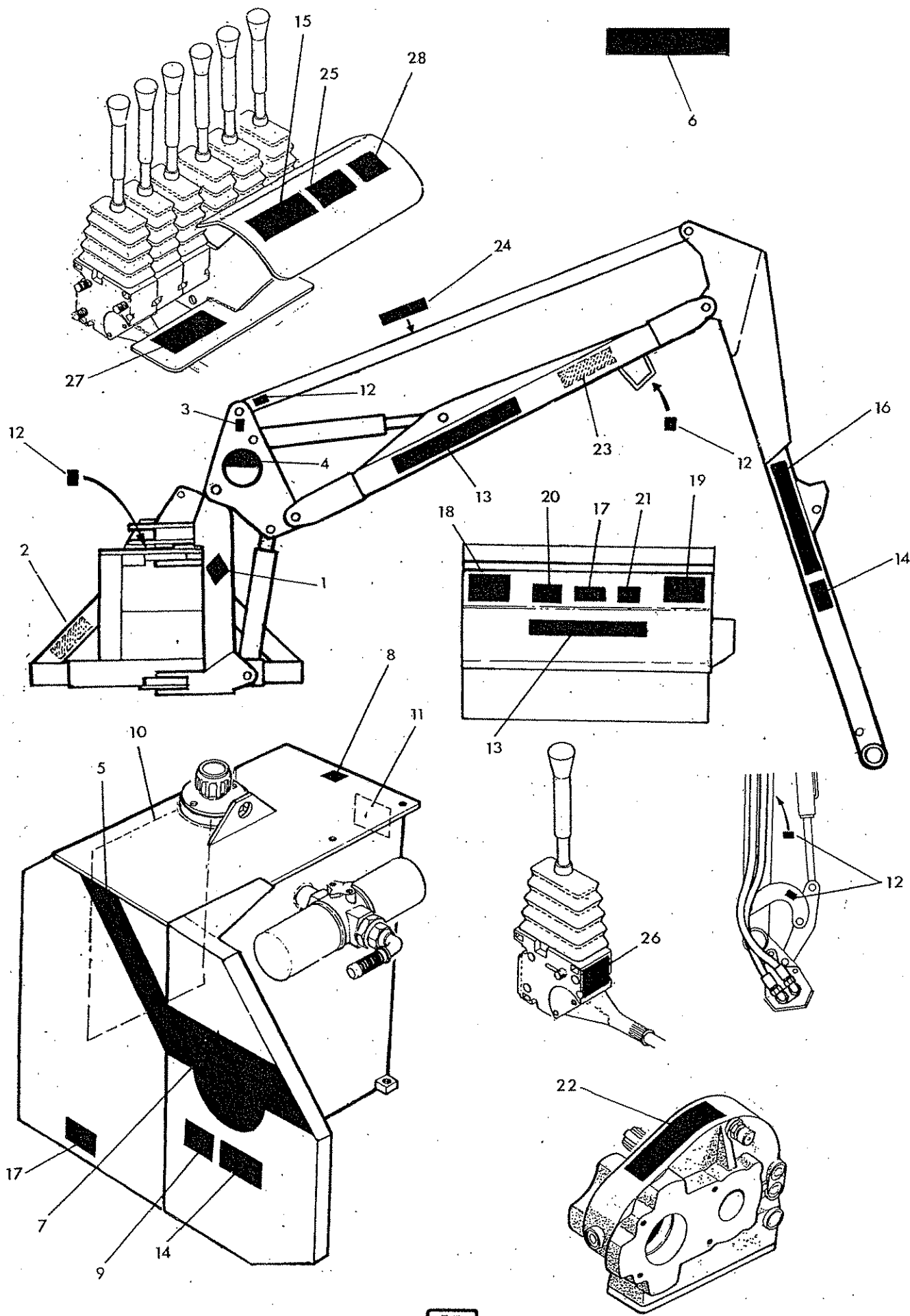
McCONEL



Ref	Part No.	Qty	Description
	42664.05		FOLD RAM ASSEMBLY
1	42664.42	1	Ram barrel
2	42664.32	1	Gland housing
3	86 29 222	1	Gland seal
4	86 29 147	1	Piston rod wiper seal
5	86 00 306	1	'O' ring
6	42062.01	1	Spacer
7	42664.39	1	Piston rod
8	42654.01	4	Bush
9	42664.31	1	Piston
10	86 29 156	1	Piston seal
11	42775.01	1	Dowel
12	09 01 121	2	Greaser
13	85 81 115	2	Adaptor
14	86 50 103	2	Bonded seal
15	86 29 157	1	Guide ring
16	86 00 127	1	'O' ring
	42664.08		SEAL KIT

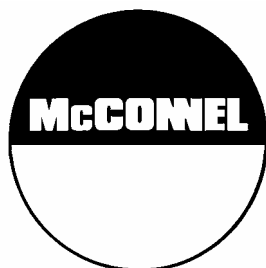


McCONNELL





Ref	Part No	Qty	Description
STICKERS			
1	71 05 130	1	Read book first
2	71 35 295	1	Tighten check chains
3	12 90 074	1	Sling here symbol
4	12 90 296	1	Logo roundel
5	12 90 454	1	Tank stripe
6	12 90 352	1	Gen. warning - despatched loose
7	12 90 455	1	Fairing stripe/roundel
8	12 90 023	1	Oil filter instructions
9	12 90 453	1	PA
10	12 90 391	1	General warning
11	00756494	1	Fitting P.T.O. shaft
12	00962764	5	Pinch point
13	12 90 255	2	McConnell
14	12 90 448	2	500
	12 90 457	2	590
15	12 90 368	1	Lever controls - lift, reach & angle
16	12 90 295	1	Power arm
17	12 90 508	2	54 hp
18	12 90 377	1	Flail head instructions
19	12 90 341	1	Flail head guarding
20	00756485	1	Rotating blade warning
21	12 90 392	1	Use McConnell spares
22	12 90 089	1	Gearbox oil capacity
23	12 90 403	1	Breakaway return warning
24	12 90 406	1	Transport
25	12 90 357	1	Lever controls - slew/auto reset
26	12 90 338	1	R.C. valve controls
27	84 02 138	1	Slew warning - loose - in cab
28	12 90 084	1	Midcut control



McConnel Limited, Temeside Works, Ludlow, Shropshire SY8 1JL. England.
Telephone: 01584 873131. Facsimile: 01584 876463. www.mcconnel.com