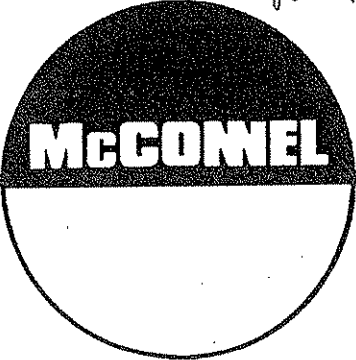
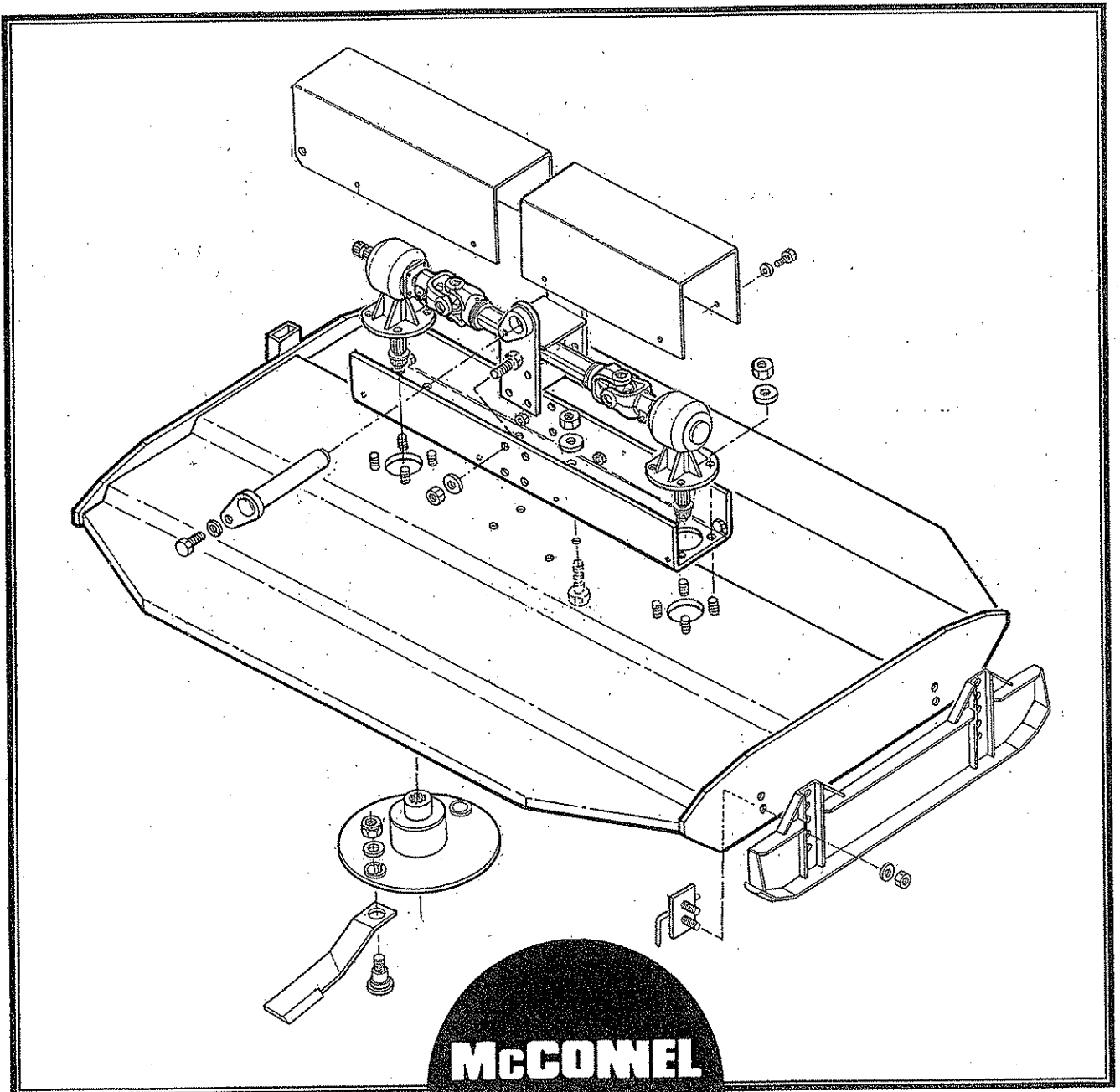


# Parts Manual

For

# TOPPER 8



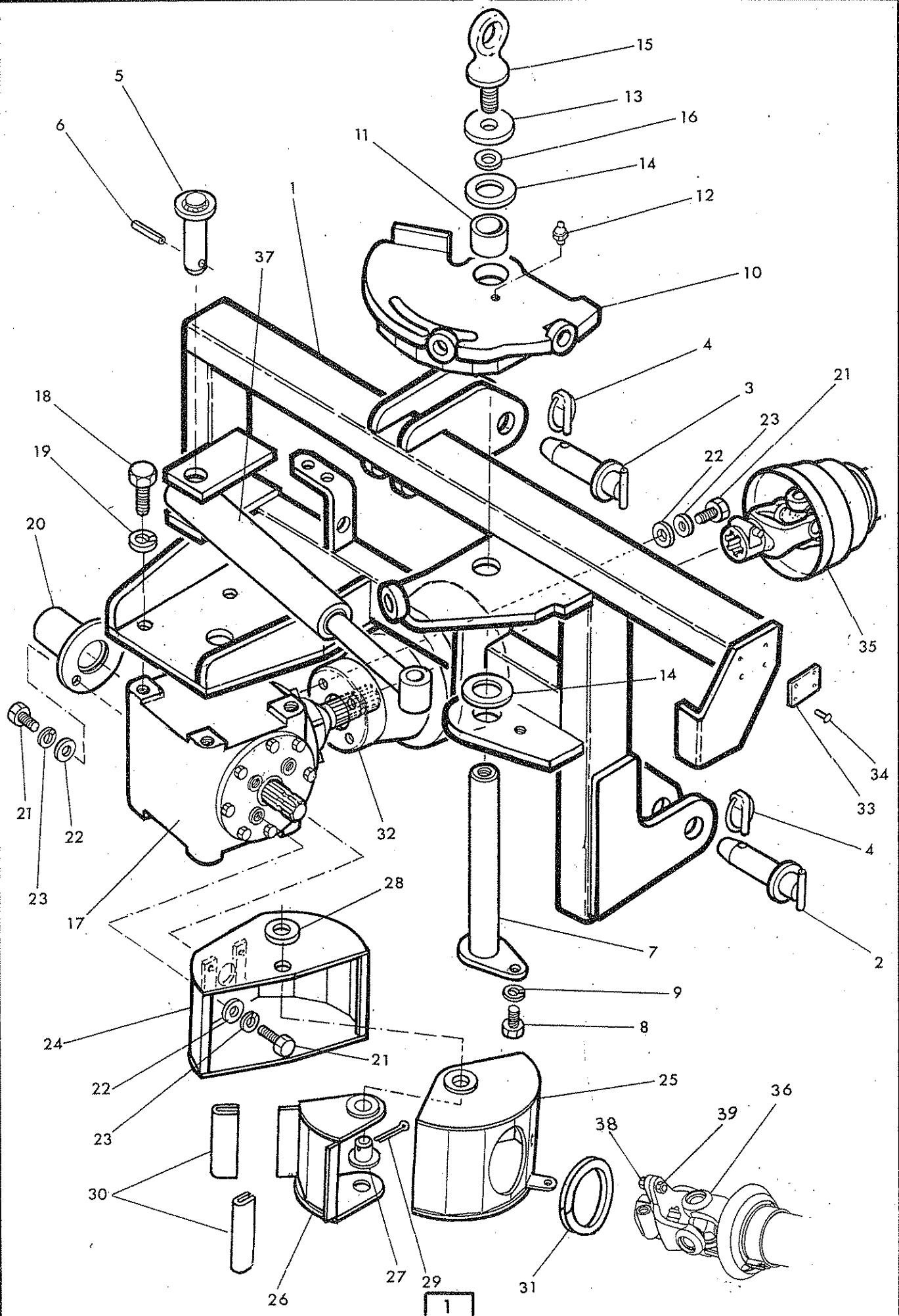
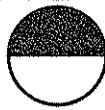
# **SPARE PARTS MANUAL**

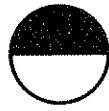
## **FOR BEST PERFORMANCE....**

To be assured of the latest design improvements purchase your genuine replacements from the original equipment manufacturer

Always quote machine type and serial number as well as the part number.

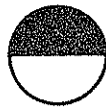
Design improvement may have altered some of the parts listed in this manual - The latest part will always be supplied when it is interchangeable with an earlier one.



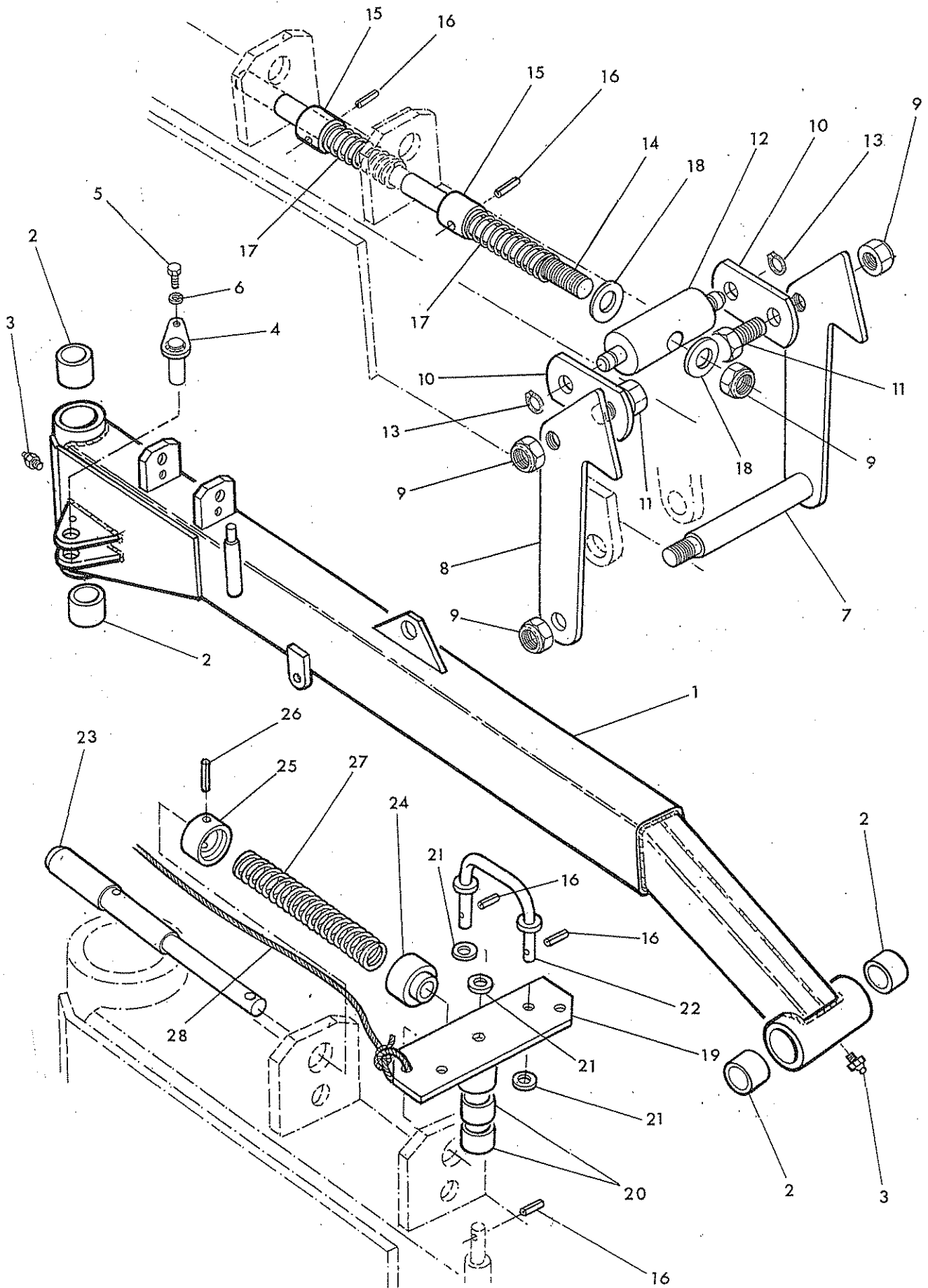


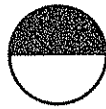
Ref.	Part No.	Qty.	Description
<b>MAIN FRAME ASSEMBLY</b>			
1	43262.02	1	Main frame
2	42516.01	2	Lower hitch pin
3	42515.01	1	Top hitch pin
4	04 31 217	3	Linch pin
5	42038.01	1	Pivot pin – slew ram base
6	04 45 540	1	Spring dowel dia5 x 40 long
7	43268.12	1	Pivot pin – main arm
8	93 13 045	1	Setscrew M10 x 20 long
9	91 00 205	1	Spring washer dia 10
10	43268.02	1	Cam plate
11	43043.02	1	Bush
12	09 01 121	1	Greaser 1/8" BSP straight
13	43289.01	1	Cap plate
14	75 60 056	2	Thrust washer
15	47 01 032	1	Eye bolt M20
16	43440.01	1	Shim
17	43297.01	1	Gearbox
18	03 12 105	4	Setscrew 1/2" UNC x 1 1/4" long
19	01 00 205	4	Spring washer 1/2" dia
20	42668.03	1	Stub shaft cover
21	03 12 062	10	Setscrew 5/16" UNC x 3/4" long
22	91 00 104	10	Plain washer dia 8
23	91 00 204	10	Spring washer dia 8
	43427.01	1	Gearbox output guard assembly including:-
24	43427.10	1	Guard – outer
25	43427.11	1	Guard – inner
26	43427.12	1	Guard extension
27	43427.13	2	Pivot pin
28	43427.14	2	Washer
29	05 03 143	2	Split pin 1/8" x 1 3/4" long
30	41741.03	2	Edge strip 160mm long
31	41741.04	1	Edge strip 415 mm long
32	42694.03	1	Gearbox input cone guard
33	13 35 246	1	Serial No. plate
34	71 03 230	4	Pop rivet 1/8" dia
35	43296.01	1	P.T.O. shaft – tractor to implement
36	43296.02	1	P.T.O. shaft – Main frame to head
37	41015.03	1	Slew ram assembly
38	92 13 125	1	Shearbolt – grade 8
39	91 63 005	1	Nut

MAIN ARM

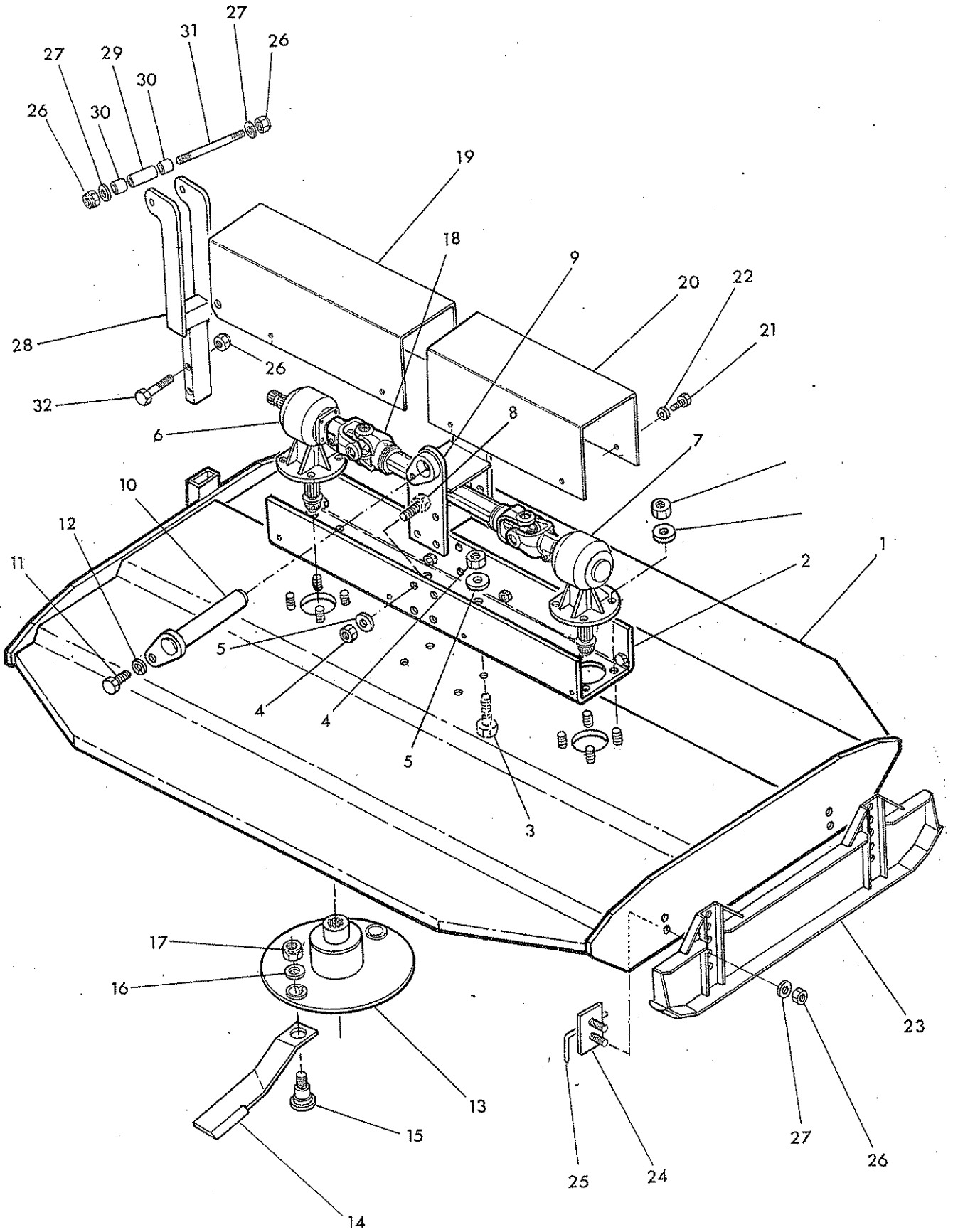
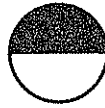


**WILCOX**



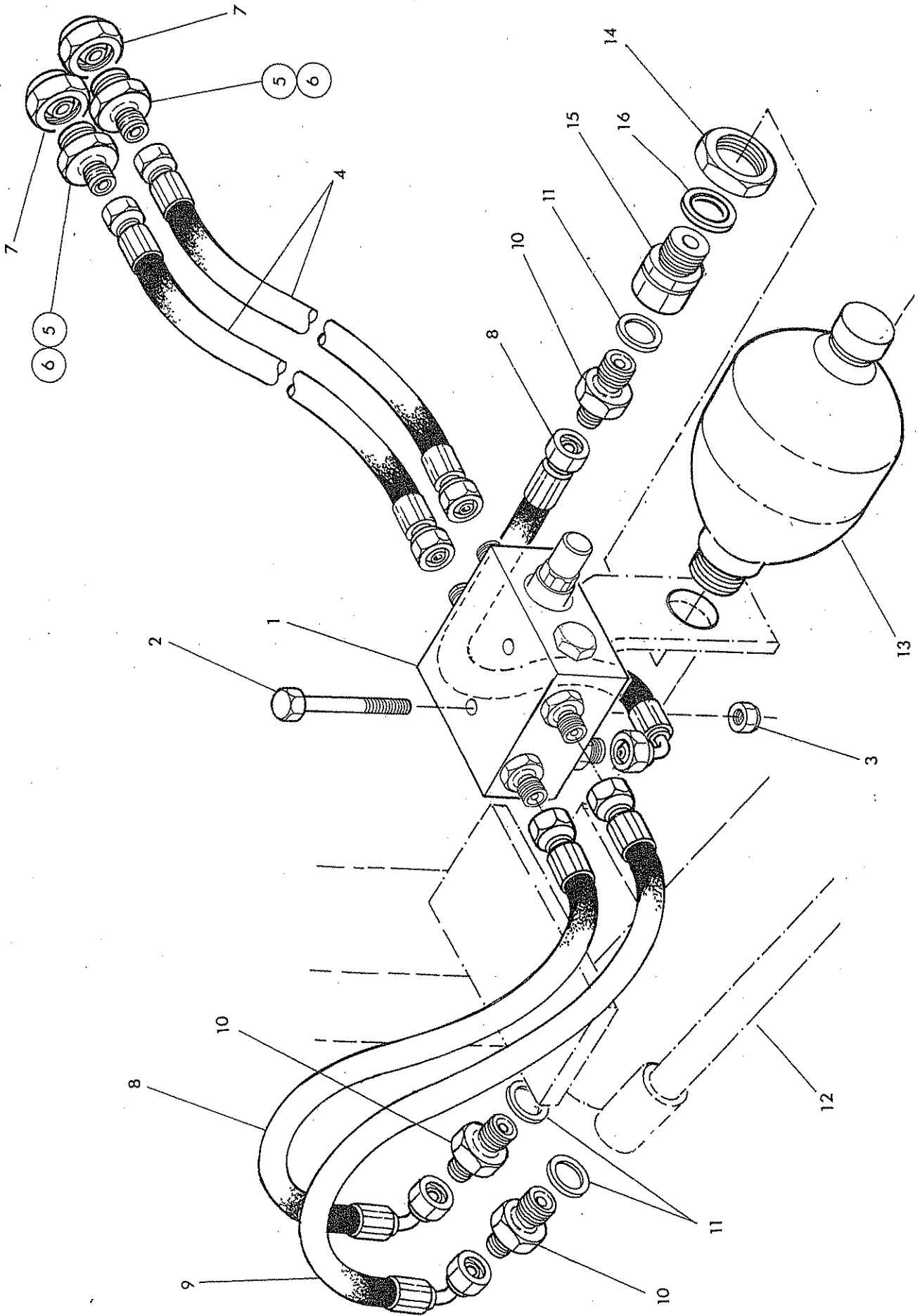
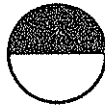


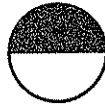
Ref.	Part No.	Qty.	Description
<b>MAIN ARM ASSEMBLY</b>			
1	43265.02	1	Main arm
2	75 60 050	4	Bush
3	09 01 121	2	Greaser 1/8" BSP straight
4	71 98 014	1	Pivot pin – slew ram rod
5	93 13 045	1	Setscrew M10 x 20 long
6	91 00 205	1	Spring washer dia 10
7	43269.14	1	Latch – front
8	43269.64	1	Latch – rear
9	91 43 006	4	Self locking nut M12
10	43269.54	2	Link plate
11	93 13 076	2	Setscrew M12 x 35 long
12	43269.53	1	Crossbar
13	04 01 212	2	External circlip dia 12
14	43269.51	1	Slide bar
15	43269.52	2	Stop
16	04 25 230	5	Spring dowel dia 3 x 20 long
17	43300.02	2	Spring
18	91 00 106	2	Plain washer dia 12
19	43269.11	1	Lever
20	60 02 150	2	Bush
21	91 00 105	3	Plain washer dia 10
22	43269.12	1	Link
23	43269.31	1	Slide bolt
24	43269.33	1	Spring seat
25	43269.32	1	Spring seat – fixed
26	04 25 640	1	Spring dowel dia 6 x 40 long
27	43300.01	1	Spring
28	71 35 036	1	Pull cord



Ref.	Part No.	Qty.	Description
<b>HEAD ASSEMBLY</b>			
1	43246.02	1	Casing
2	43250.02	1	Drive mounting frame
3	93 13 067	4	Setscrew M16 x 30 long
4	91 43 007	22	Self locking nut M16
5	91 00 107	20	Plain washer dia 16
6	43297.02	1	Gearbox – inner
7	43297.03	1	Gearbox – outer
8	93 13 097	8	Setscrew M16 x 45 long
9	43254.03	1	Head pivot bracket
10	43260.03	1	Pivot pin – head
11	93 13 057	1	Setscrew M16 x 25 long
12	91 00 207	3	Spring washer dia 16
13	43252.02	2	Blade carrier
14	0076 1977	4	Blade
15	0076 1402	4	Special shoulder bolt
16	0076 1535	4	Washer
17	0075 0226	4	Self locking nut
18	43296.04	1	Connecting drive shaft
19	43251.04	1	Shaft cover – inner
20	43251.03	1	Shaft cover – outer
21	93 13 055	8	Setscrew M10 x 25 long
22	91 00 105	8	Plain washer dia 10
23	43248.02	2	Skid
24	43248.03	4	Bolt plate
25	43248.40	4	Retaining rod
26	91 63 006	10	Self locking nut M12
27	90 00 106	8	Plain washer dia 12
28	43269.15	1	Head carrier
29	43269.56	1	Spacer tube
30	43269.57	2	Spacer tube
31	43269.55	1	Stud M16 x 230 long
32	92 13 226	2	Bolt M12 x 110 long



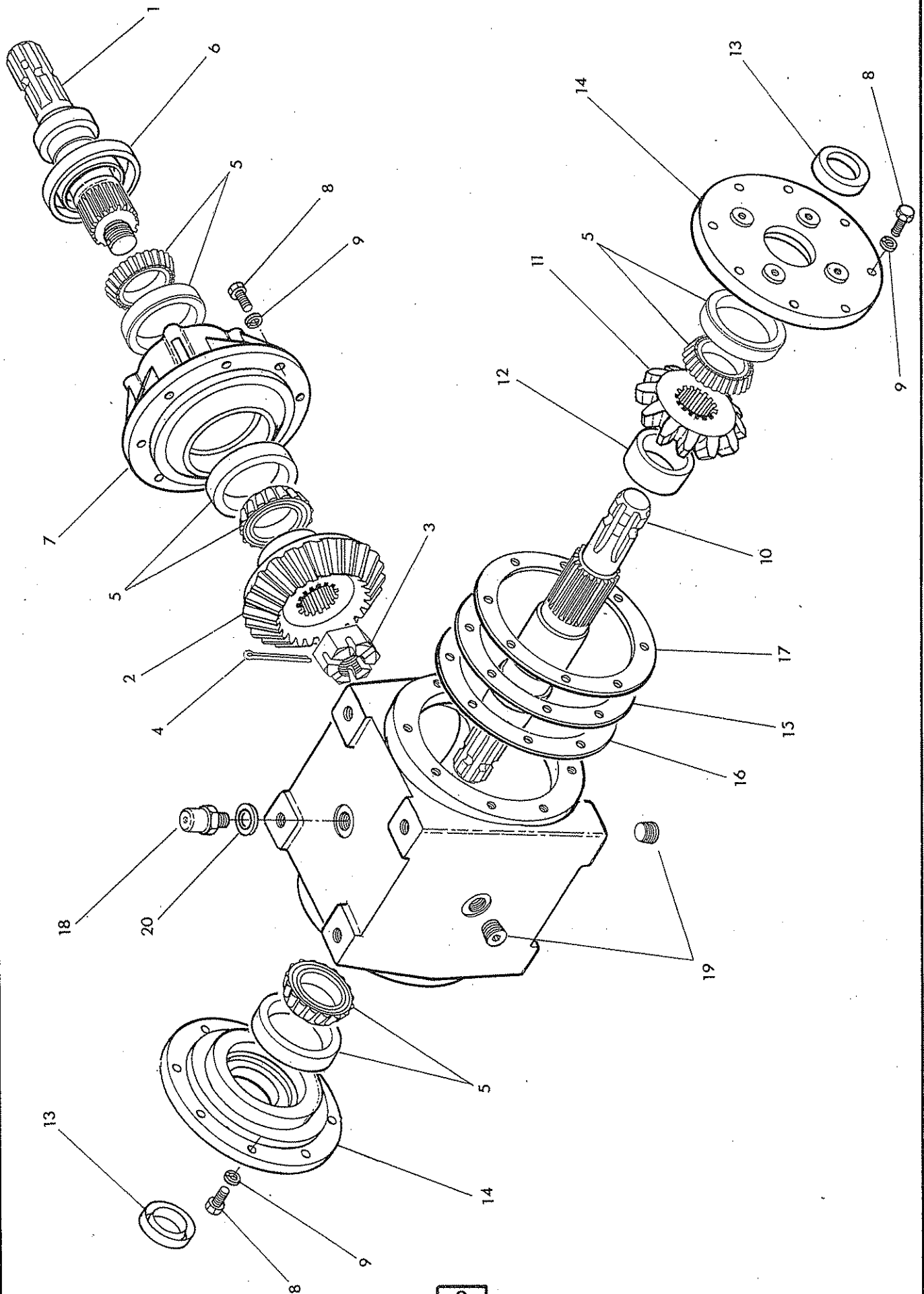
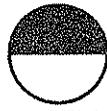


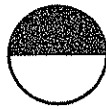


Ref.	Part No.	Qty.	Description
------	----------	------	-------------

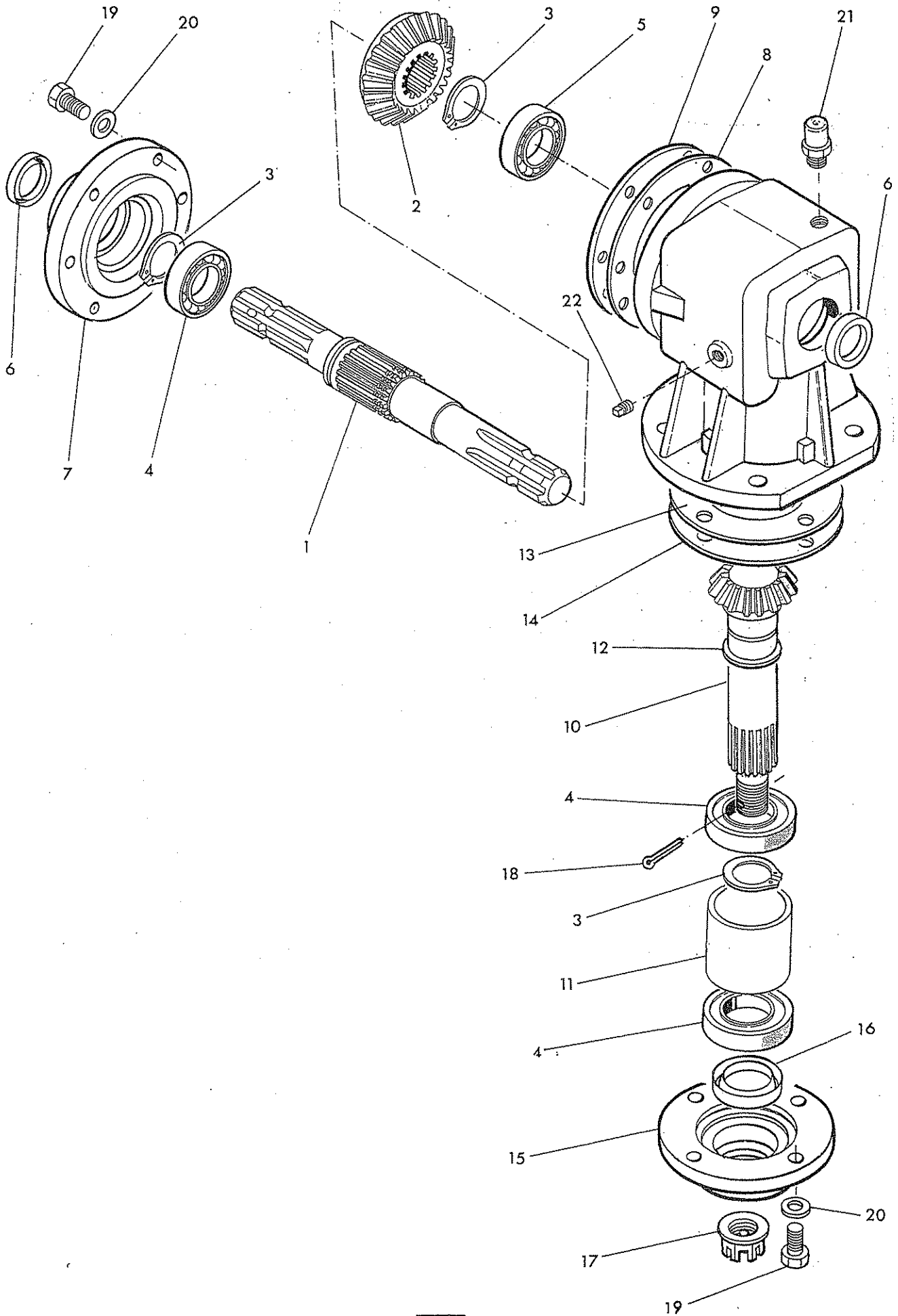
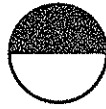
### HYDRAULIC INSTALLATION

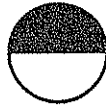
1	43301.02	1	Breakback valve
2	92 13 144	2	Bolt M8 x 70 long
3	91 43 004	2	Self locking nut M8
4	42717.26	2	Hose M14 x 1600 long – supply and return
5	85 81 402	2	Adaptor M14 – 1/2" BSP MM incl. Seal
6	86 50 406	1	Seal
7	85 82 054	2	Blanking cap 1/2" BSP
8	42718.09	2	Hose M14 x 450 long – Accumulator & ram base
9	42718.10	1	Hose M14 x 500 long – ram gland
10	85 81 369	3	Adaptor M14 x 3/8" BSP MM including seal
11	86 50 403	1	Seal
12	41015.03	1	Slew ram assembly
13	41451.03	1	Accumulator
14	81 26 035	1	Thin locknut M33
15	85 81 284	1	Adaptor M22 M – 3/8" BSP F
16	86 50 322	1	Bonded seal M22



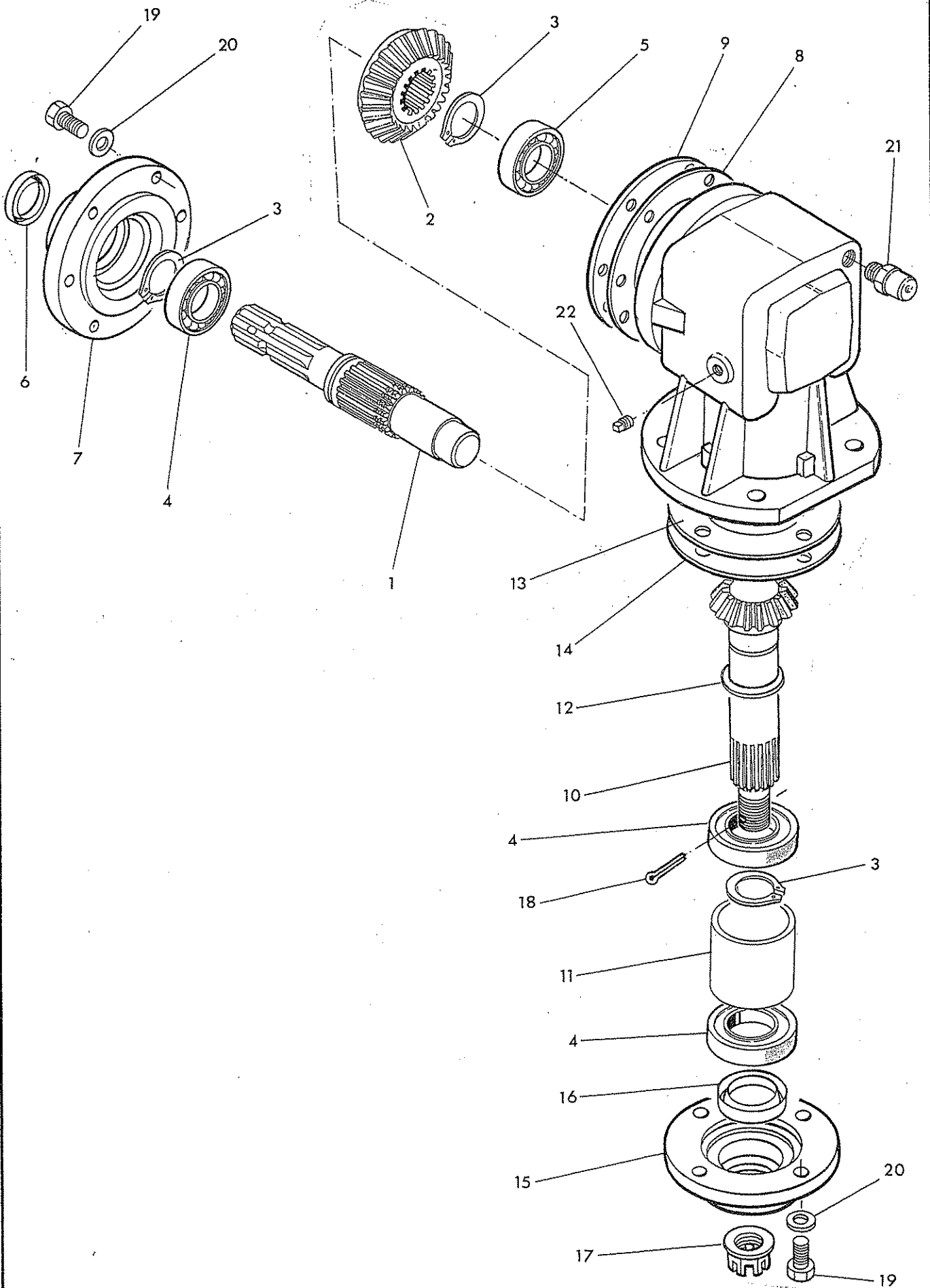
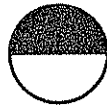


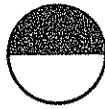
Ref.	Part No.	Qty.	Description
	<b>43297.01</b>		<b>GEARBOX ASSEMBLY</b>
1	43297.40	1	Input shaft
2	43297.43	1	Input gear
3	43297.44	1	Nut
4	43297.45	1	Cotter pin
5	43297.36	4	Bearing – taper roller
6	43297.41	1	Input shaft seal
7	43297.42	1	Input cap
8	93 13 065	24	Setscrew M10 x 30
9	91 00 205	24	Spring washer dia 10
10	43297.33	1	Output shaft
11	43297.49	1	Pinion
12	43297.48	1	Spacer
13	43297.34	2	Seal
14	43297.32	2	Output shaft cap
15	43297.37	as reqd.	Output face gasket 0.3
16	43297.38	as reqd.	Output face gasket 0.25
17	43297.39	as reqd.	Output face gasket 0.4
18	0076 2114	1	Breather
19	43297.47	2	Level or drain plug
20	43297.46	3	Sealing washer





Ref.	Part No.	Qty.	Description
	<b>43297.02</b>		<b>GEARBOX ASSEMBLY</b>
1	43297.64	1	Input shaft
2	43297.66	1	Input gear
3	43297.65	3	Circlip
4	43297.62	3	Bearing
5	43297.77	1	Bearing
6	43297.63	2	Seal
7	43297.61	1	Input cap
8	43297.68	1	Input face gasket 0.13
9	43297.67	1	Input face gasket 0.3
10	43297.76	1	Pinion and output shaft
11	43297.75	1	Output shaft bearing spacer
12	43297.69	1	Shim
13	43297.70	1	Output face gasket 0.13
14	43297.71	1	Output face gasket 0.3
15	43297.74	1	Output cap
16	43297.73	1	Seal
17	43297.72	1	Castellated nut
18	43297.82	1	Cotter pin
19	03 12 083	10	Setscrew 3/8" UNC x 1" long
20	91 00 205	10	Spring washer dia 10
21	0075 8654	1	Breather
22	43297.79	1	Level plug

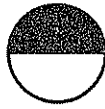




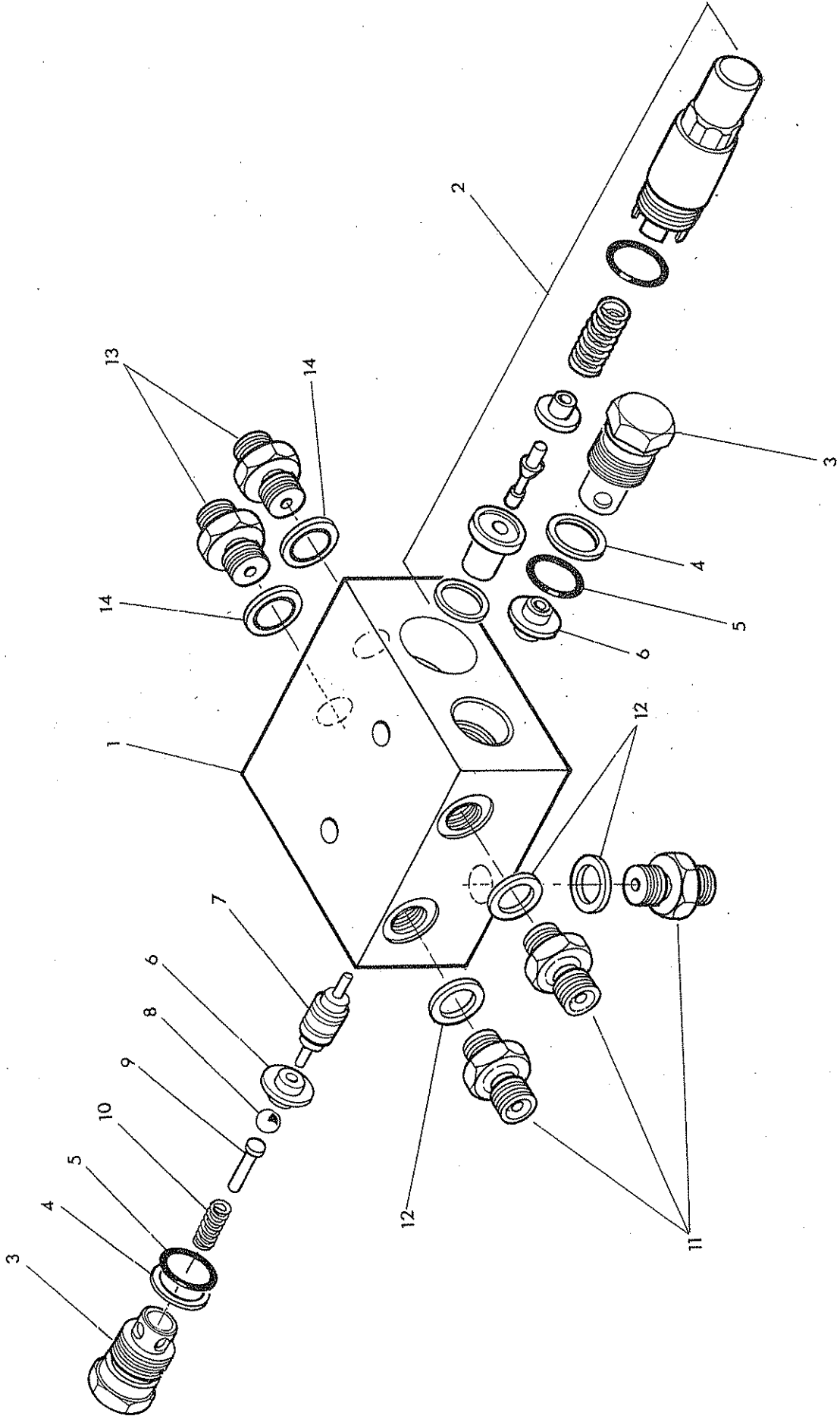
Ref.	Part No.	Qty.	Description
	<b>43297.03</b>		<b>GEARBOX ASSEMBLY</b>
1	43297.81	1	Input shaft
2	43297.66	1	Input gear
3	43297.65	3	Circlip
4	43297.62	3	Bearing
5	43297.77	1	Bearing
6	43297.63	1	Seal
7	43297.61	1	Input cap
8	43297.68	1	Input face gasket 0.13
9	43297.67	1	Input face gasket 0.3
10	43297.76	1	Pinion and output shaft
11	43297.75	1	Output shaft bearing spacer
12	43297.69	1	Shim
13	43297.70	1	Output face gasket 0.13
14	43297.71	1	Output face gasket 0.3
15	43297.74	1	Output cap
16	43297.73	1	Seal
17	43297.72	1	Castellated nut
18	43297.82	1	Cotter pin
19	03 12 083	10	Setscrew 3/8" UNC x 1" long
20	91 00 205	10	Spring washer dia 10
21	0075 8654	1	Breather
22	43297.79	1	Level plug

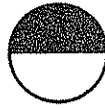


BREAKBACK VALVE

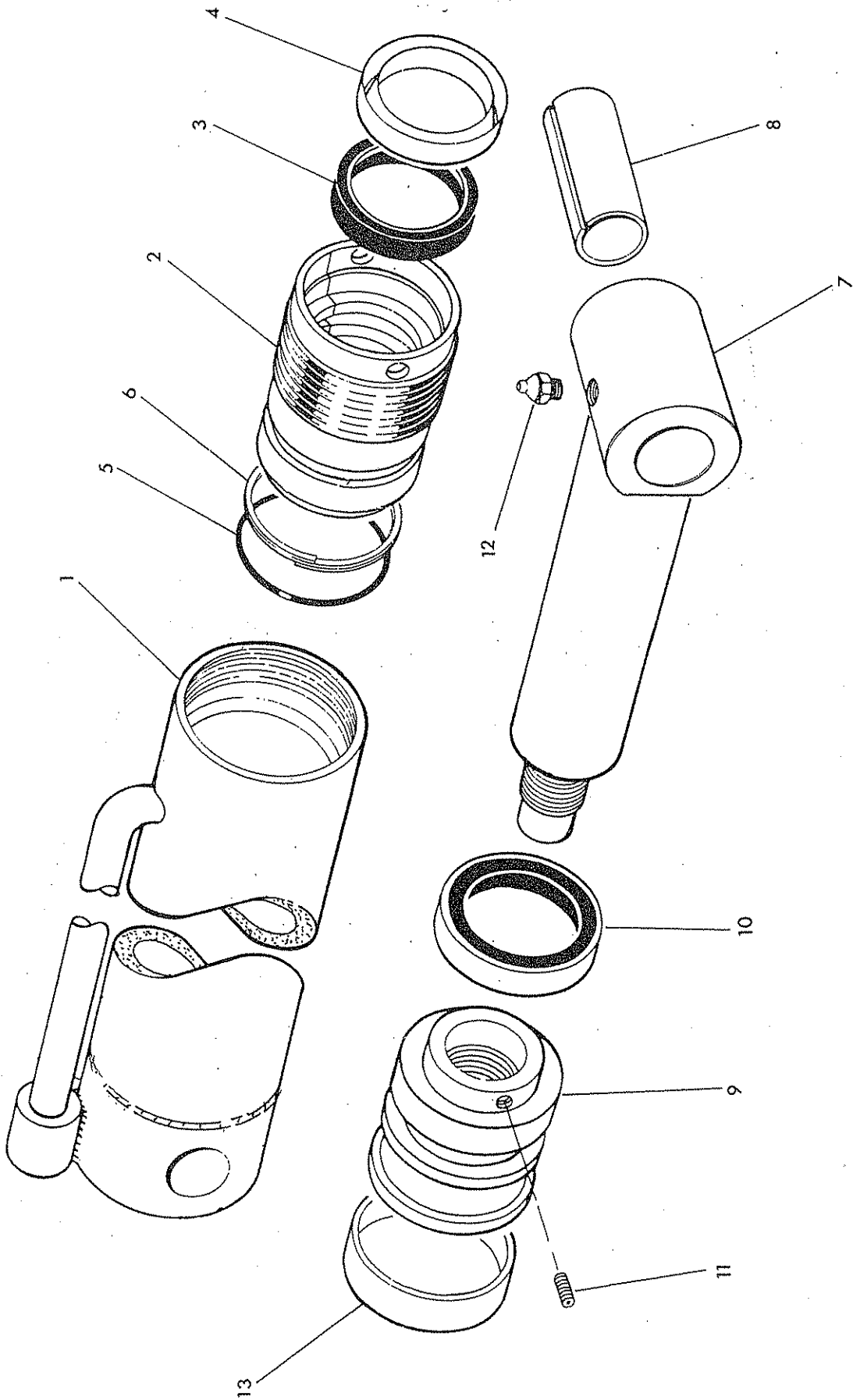
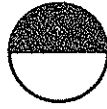


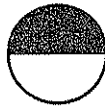
**WEGOR**



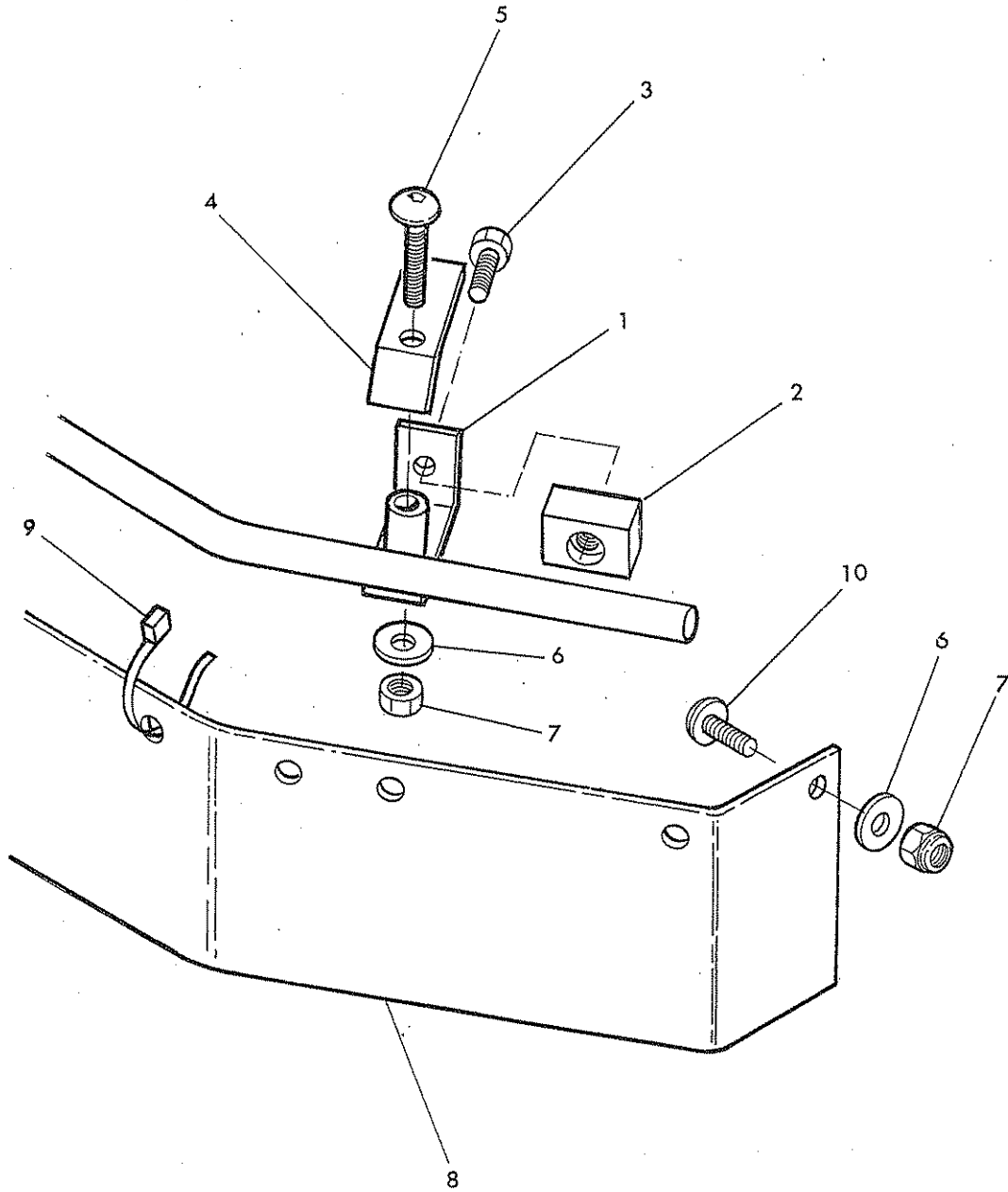
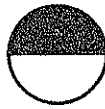


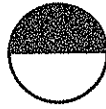
Ref.	Part No.	Qty.	Description
	<b>43301.02</b>		<b>BREKBACK VALVE</b>
1	43301.31	1	Block
2	81 30 149	1	Relief valve 125 Bar
3	81 30 025	2	Check valve cap
4	87 09 644	2	Anti extrusion ring
5	87 00 644	2	O ring
6	81 30 088	2	Check valve seat
7	81 30 087	1	Actuator
8	09 05 509	1	Steel ball
9	81 30 089	1	Spring guide
10	81 14 045	1	Spring
11	85 81 374	3	Adaptor 1/4" BSP – M14 MM including seal
12	86 50 402	1	Seal
13	81 24 131	2	Restrictor adaptor 1/4" BSP – M14 MM
14	86 50 102	2	Bonded seal 1/4" BSP



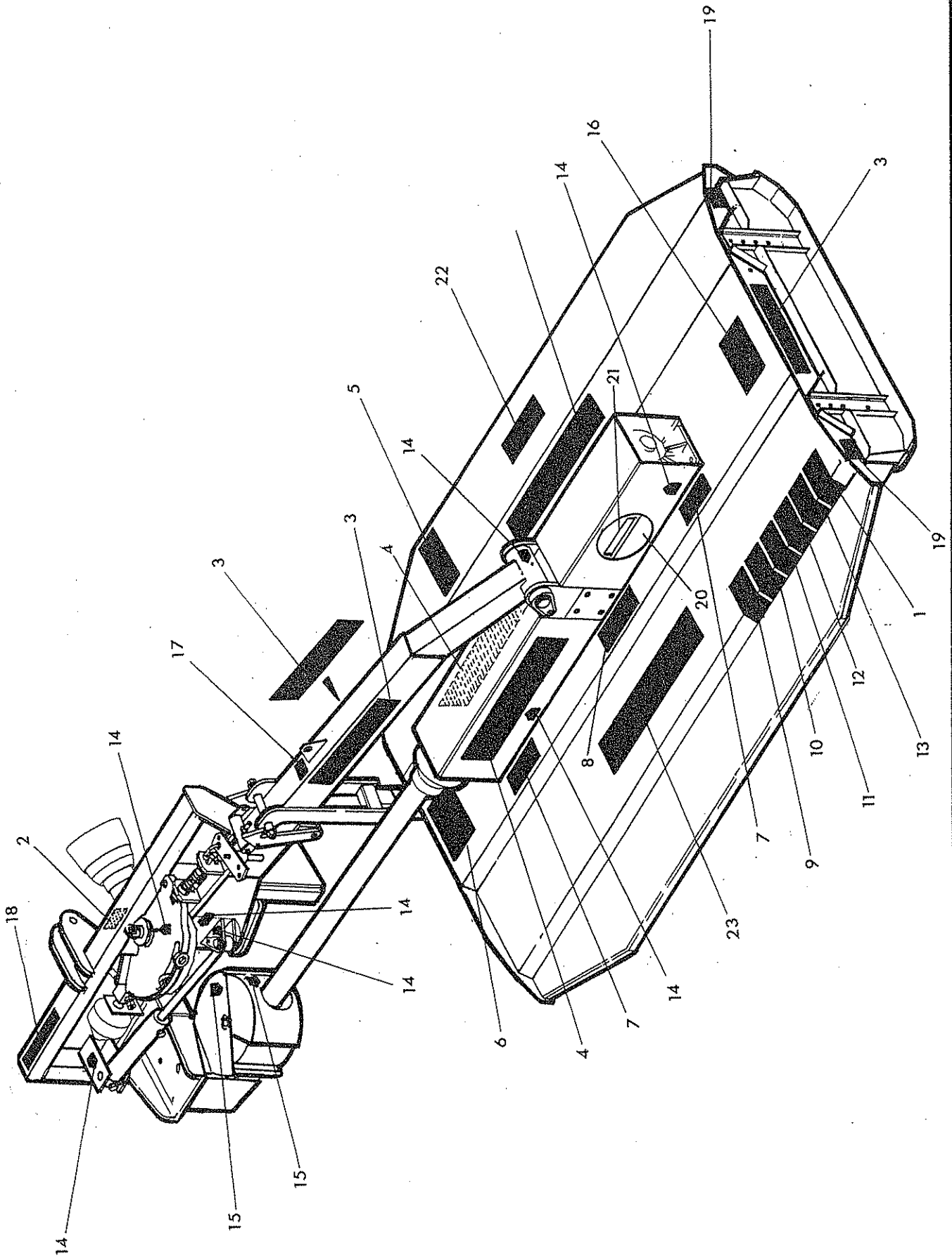
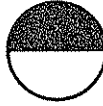


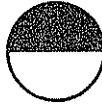
Ref.	Part No.	Qty.	Description
	<b>41015.02</b>		<b>SLEW RAM ASSEMBLY</b>
1	41036.01	1	Ram barrel
2	11 86 512	1	Gland housing
3	86 29 164	1	Gland seal
4	86 29 147	1	Piston rod wiper
5	86 00 306	1	O ring
6	86 09 306	1	Anti extrusion ring
7	41037.01	1	Piston rod
8	71 05 050	1	Bush
9	71 20 368	1	Piston
10	86 29 156	1	Piston seal
11	93 63 023	1	Grub screw M6 x 12 long
12	09 01 121	1	Greaser 1/8" BSP straight
13	86 29 157	1	Guide ring
	<b>86 99 217</b>		<b>SEAL KIT</b>





Ref.	Part No.	Qty.	Description
	<b>43473.02</b>		<b>SKIRT ASSEMBLY – Option</b>
1	43473.11	2	Rail
2	43473.39	6	Clamp block
3	93 13 064	6	Setscrew M8 x 30
4	43473.38	6	Clamp plate
5	93 00 157	6	Screw – button head M8 x 60
6	91 00 104	10	Plain washer dia 8
7	91 43 004	10	Self locking nut M8
8	43473.37	2	Skirt
9	71 35 084	28	Cable tie
10	93 00 151	4	Screw – button head M8 x 30



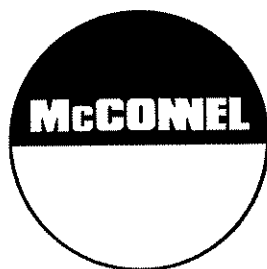


Ref.	Part No.	Qty.	Description
<b>STICKERS</b>			
1	09.821.15	1	Read book first
2	09.811.04	1	540 Rpm
3	12 90 255	3	McConnel
4	43298.31	2	Topper 8
5	09.821.06	1	Slew warning
6	09.821.20	1	Shaft engagement
7	D137	2	Blade rotation
8	D132	1	Blade timing
9	09.821.22	1	Head rotary
10	09.821.19	1	Rotary head danger
11	09.821.18	1	Flying debris
12	09 821 17	1	Danger – unsupported machine
13	09.821.10	1	Keep bolts tight
14	09.810.02	7	Grease – 40 Hrs
15	09.810.01	2	Grease – 8 Hrs
16	0075 6485	1	Rotating blade warning
17	09.843.04	1	Lift point 750Kg
18	71 35 295	1	Tighten check chains
19	75 60 093	2	Reflector
20	12 90 531	1	Roundel
21	12 90 532	1	McConnel
22	12 90 403	1	Breakaway return warning
23	12 90 533	1	McConnel









McConnel Limited, Temeside Works, Ludlow, Shropshire SY8 1JL. England.  
Telephone: 01584 873131. Facsimile: 01584 876463. [www.mcconnel.com](http://www.mcconnel.com)