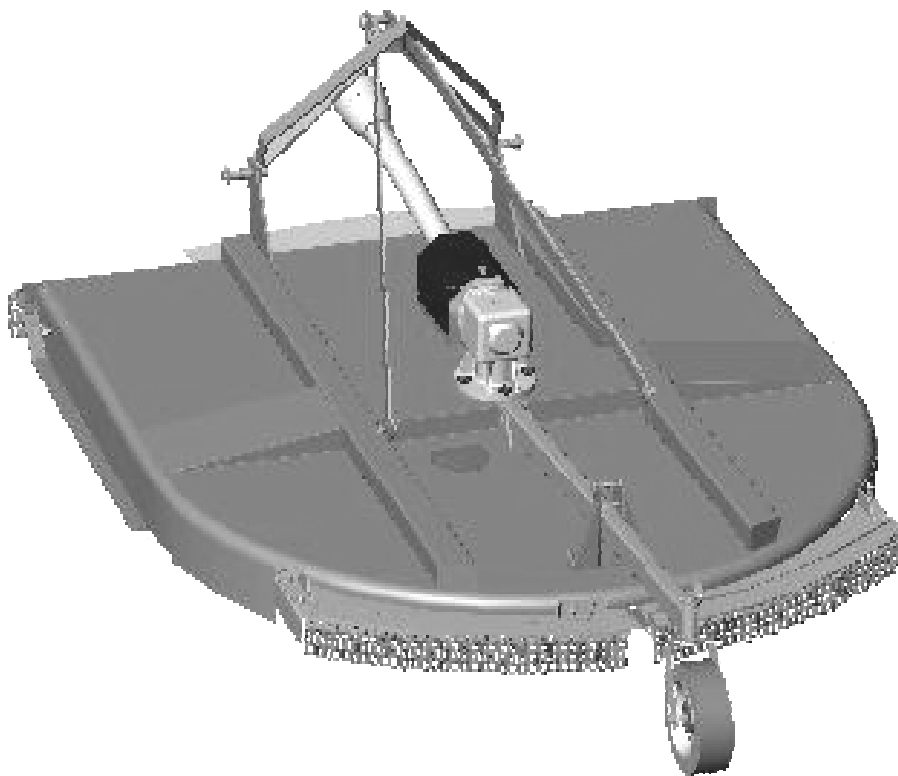
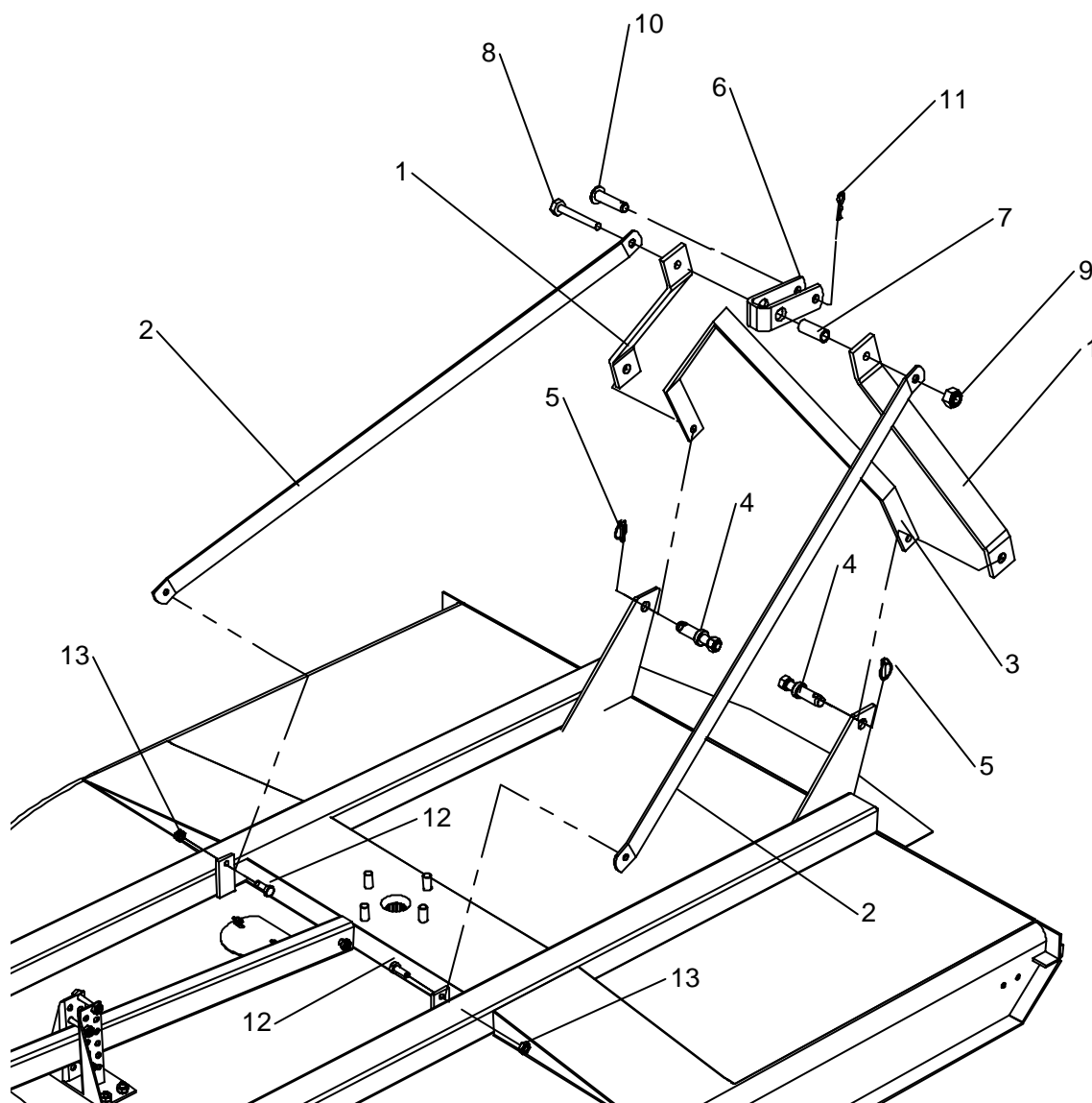
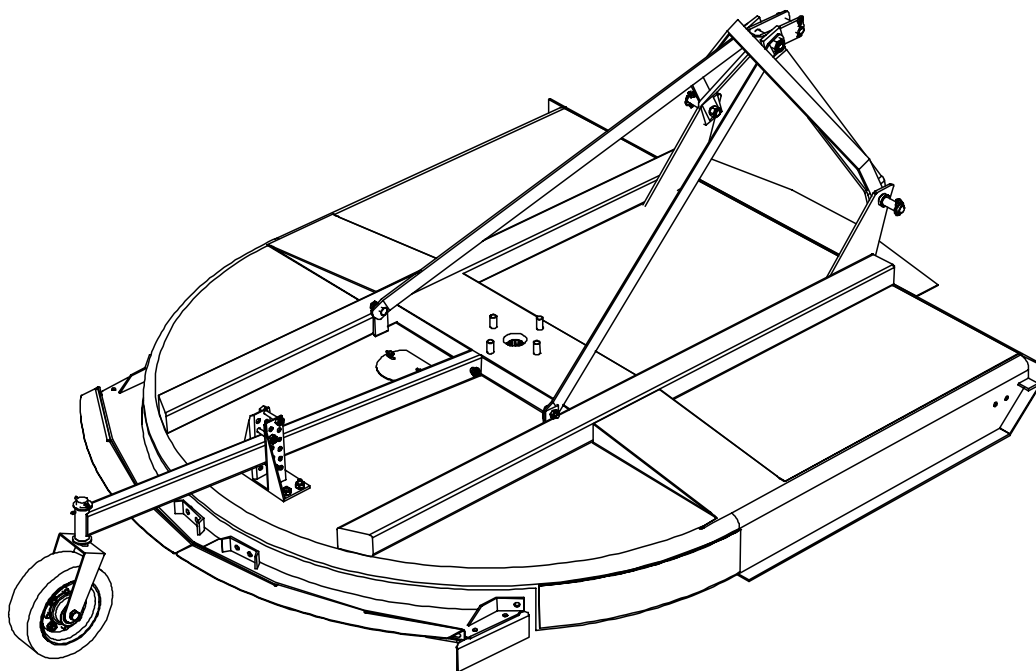


SE7





SE7 - 'A' FRAME ASSEMBLY



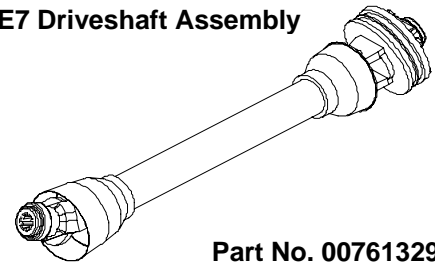
**SE7 - 'A' FRAME ASSEMBLY**

REF.	QTY.	PART No.	DESCRIPTION
1	2	00776052	BAR - A FRAME HALF
2	2	00776050	LIFT STRAP BAR
3	1	45867.01	TRANSPORT STRAP
4	2	441027	CAT II LINCH PIN c/w NUT & SPRING WASHER
5	2	0431217	LINCH PIN
6	1	00757949	TOP LINK
7	1	00766542	BUSHING
8	1	9213308	BOLT
9	1	9143008	SELF LOCKING NUT
10	1	37107B12	TOP LINK PIN
11	1	05.964.01	SPRING COTTER
12	2	9313076	SETSCREW
13	2	9143006	SELF LOCKING NUT

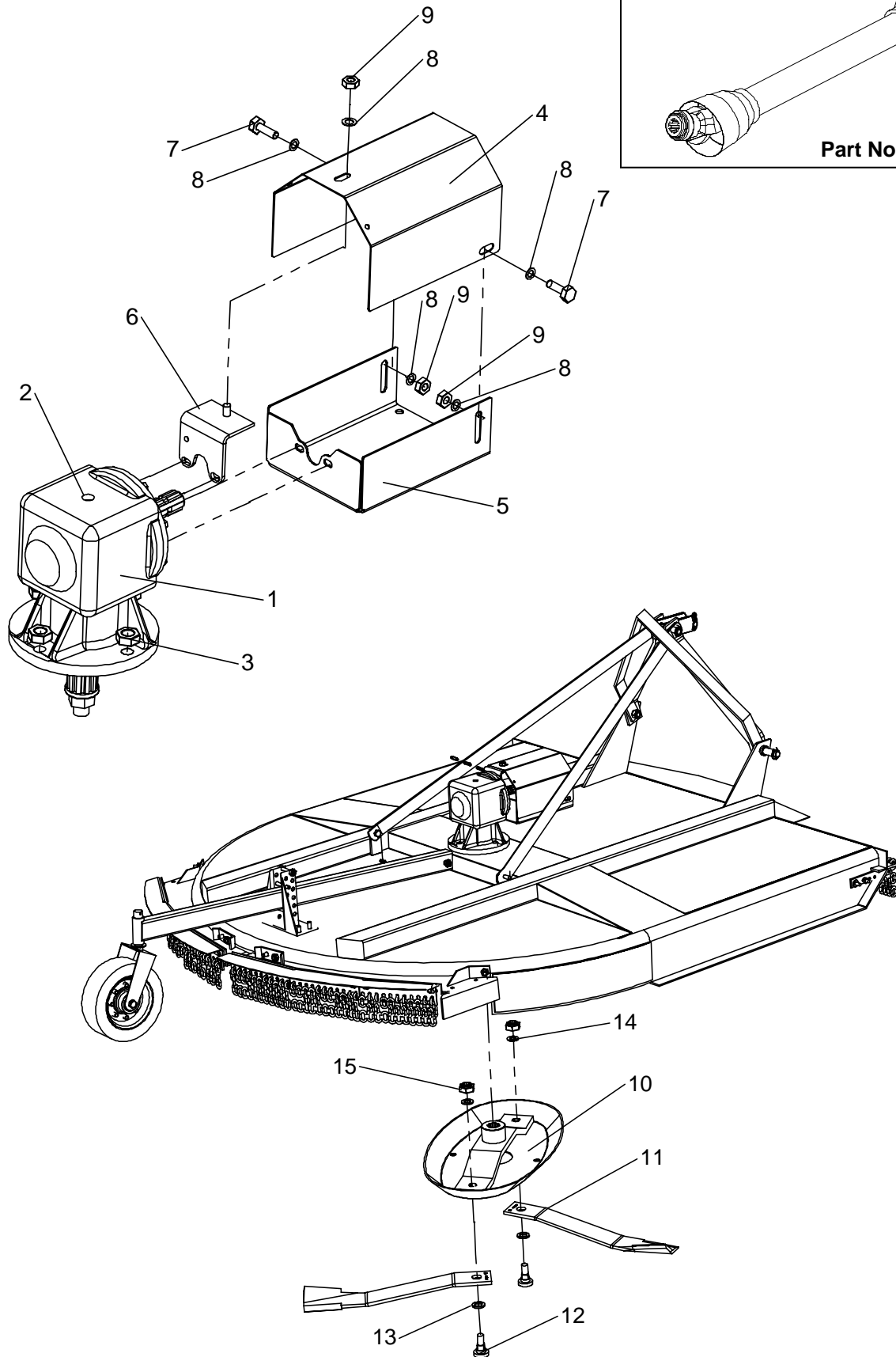


SE7 - GUARDING & BLADES

SE7 Driveshaft Assembly



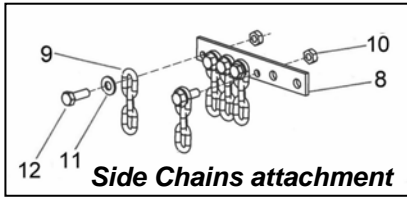
Part No. 00761329



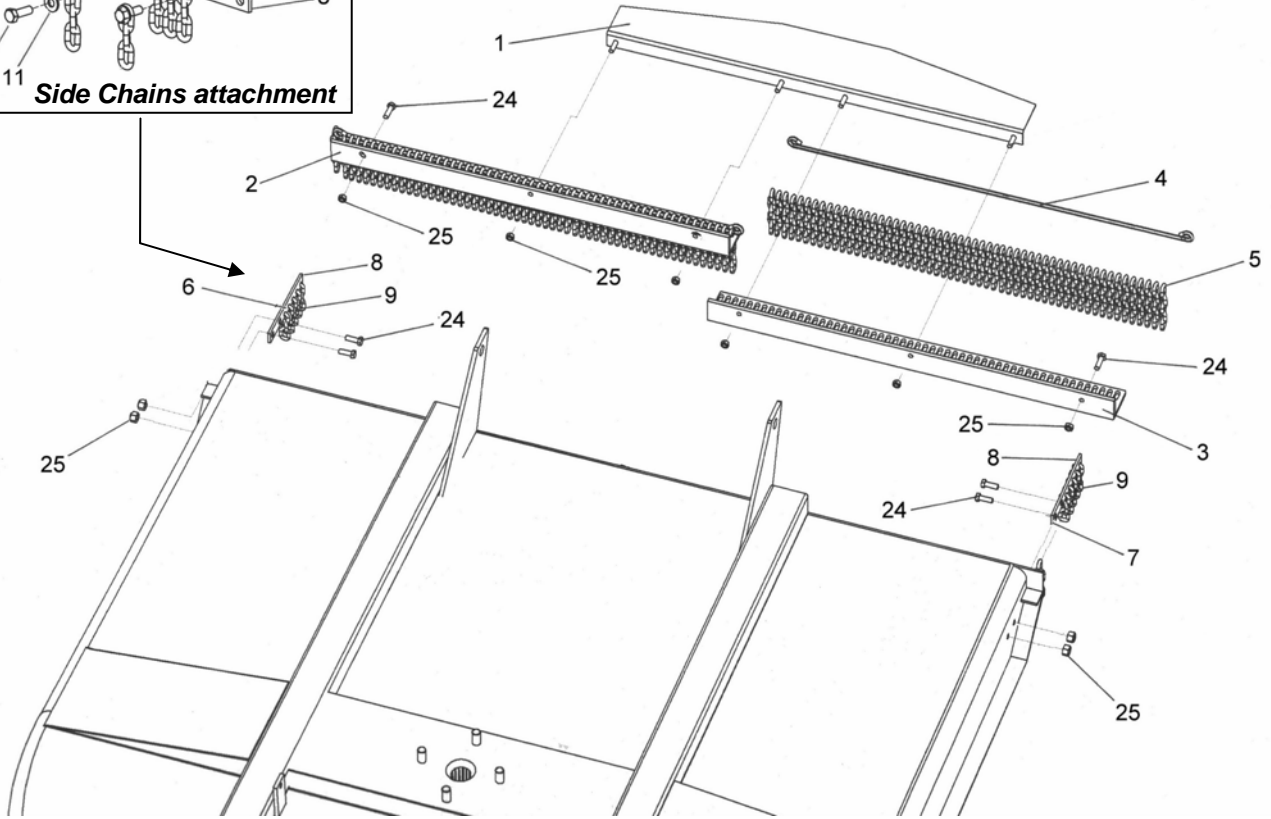
**SE7 - GUARDING & BLADES**

REF.	QTY.	PART No.	DESCRIPTION
1	1	741031M	GEARBOX - SE 7
2	1	00758654	GEARBOX BREATHER
3	4	0142007	CLEVELOC NUTS - UNF
4	1	45641.01	PLATE SHIELD
5	1	00762985A	PLATE BRACKET - BOTTOM
6	1	45641.12	SHIELD BRACKET
7	2	9313056	SETSCREW
8	5	9100106	WASHER
9	3	9143006	SELF-LOCKING NUT
10	1	00776060	BLADE PAN
11	2	00764669	BLADE
12	2	8251	BLADE BOLT
13	2	0100109	FLAT WASHER - PLATED
14	2	00758579	SPECIAL WASHER
15	2	5JRC16140	LOCKNUT - BLADE BOLT

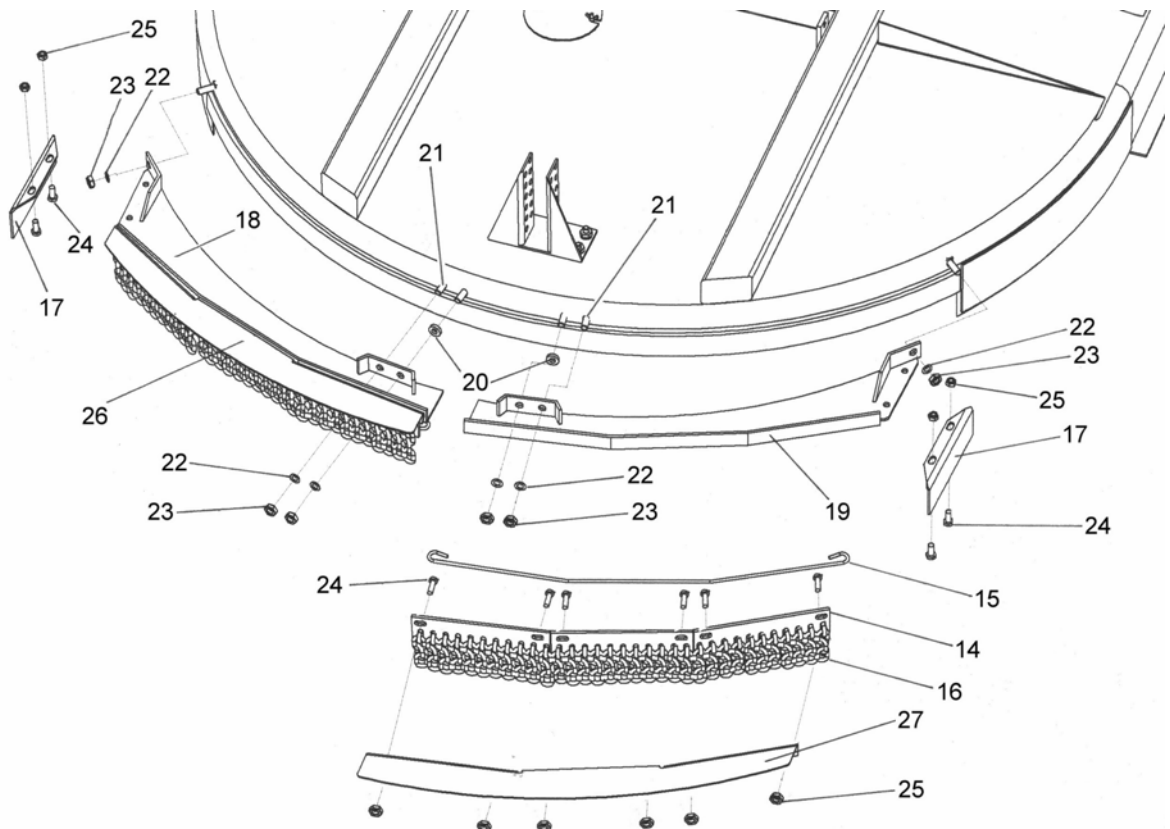
SE7 - CHAINGUARD ASSEMBLIES



Front Chainguard



Rear Chainguard




SE7 - CHAINGUARD ASSEMBLIES

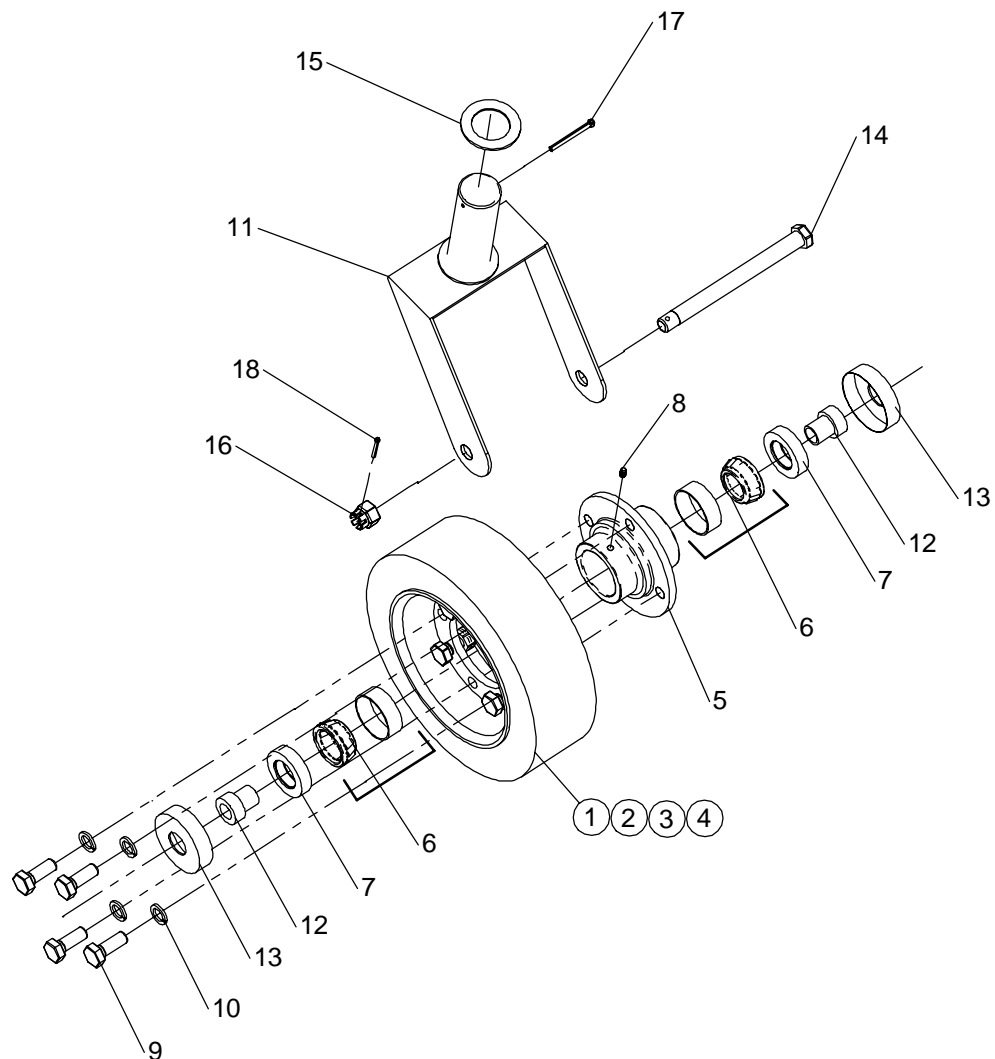
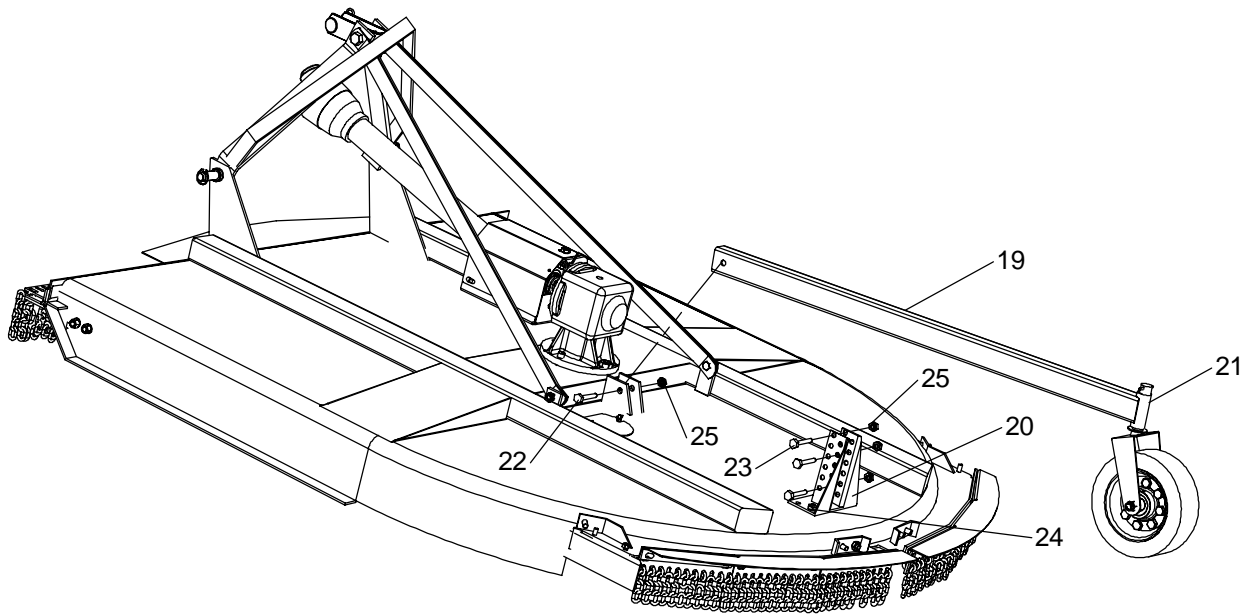
REF.	QTY.	PART No.	DESCRIPTION
		00776026	FRONT CHAINGUARD ASSEMBLY c/o
1	1	45799.01	FRONT GUARD ASSEMBLY
2	2	00776078	FRONT CHAINGUARD HALF c/w
3	1	00775260	PLATE - SLOTTED
4	1	0371200102	CHAINGUARD ROD
5	78	007005090	CHAIN - 5 Link
6	1	00776066	SIDE CHAINGUARD ASSEMBLY L/H
7	1	00776067	SIDE CHAINGUARD ASSEMBLY R/H
8	1	00776058	SIDE PLATE c/w
9	5	0652130101	CHAIN - 3 Link
10	5	00015800	LOCKNUT
11	5	00011100	WASHER
12	5	02961677	BOLT
		00776027	REAR CHAINGUARD ASSEMBLY c/o
13	2	00776065	REAR CHAINGUARD c/w
14	1	00774000	CHAINGUARD PLATE
15	1	00959900	CHAINGUARD ROD
16	33	0731361104	CHAIN - 4 Link
17	2	00776055	SIDE SHIELD
18	1	00773997	DEFLECTOR MOUNT L/H
19	1	00773998	DEFLECTOR MOUNT R/H
20	2	00776072	SPACER
21	6	9313086	SETSCREW
22	6	9100106	WASHER
23	6	9143006	SELF-LOCKING NUT
24	22	9313066	SETSCREW
25	26	9143006	SELF-LOCKING NUT
26	1	45799.31	SKIRT EXTENSION L/H
27	1	45799.32	SKIRT EXTENSION R/H

} c/o

} per side



SE7 - TAILWHEEL ASSEMBLY

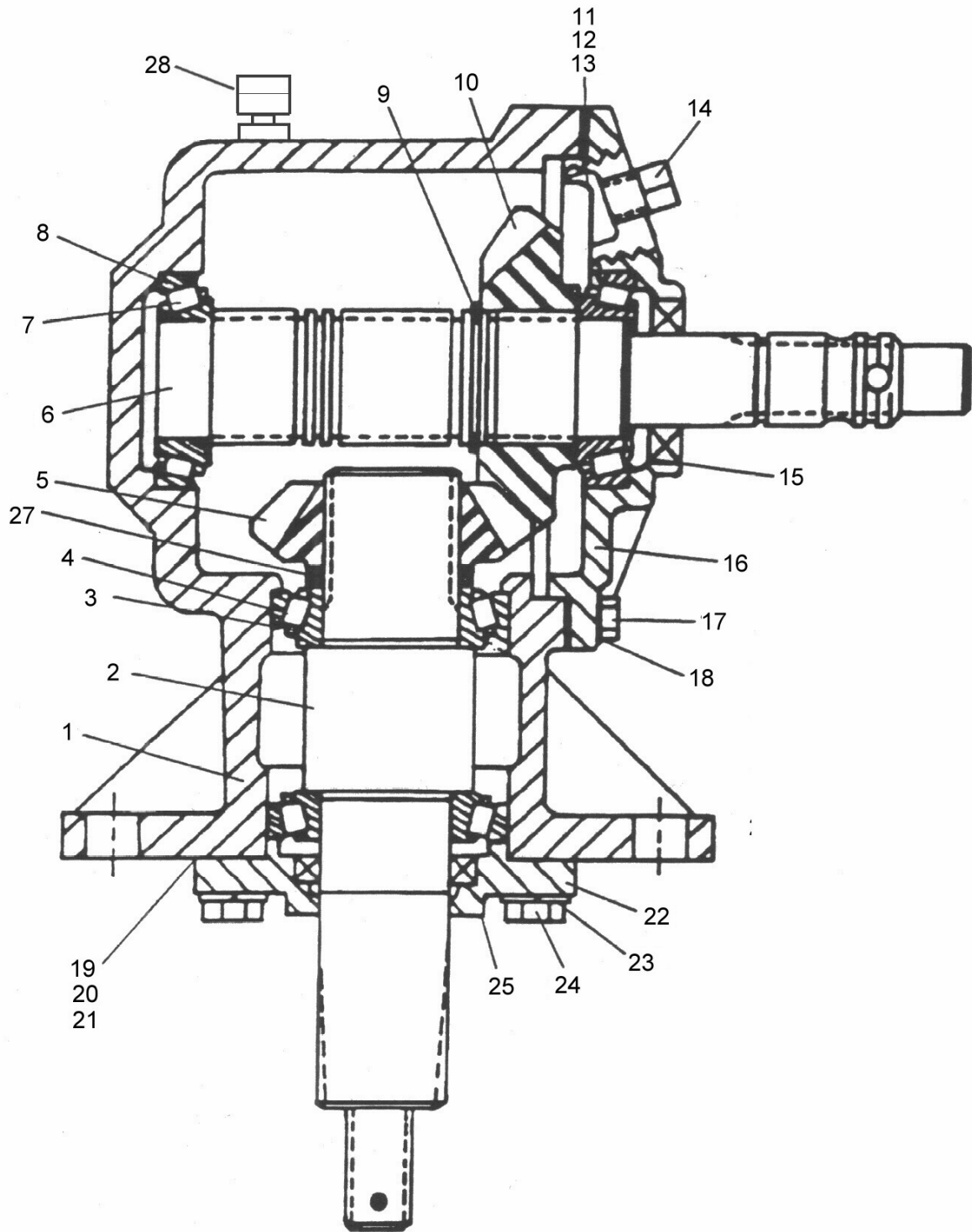


**SE7 - TAILWHEEL ASSEMBLY**

REF.	QTY.	PART No.	DESCRIPTION
		00776210	TAILWHEEL COMPLETE ASSEMBLY
1	1	373024H	TYRE AND WHEEL (Bolted Assembly only - less hub)
2	1	373024	WHEEL ASSEMBLY c/w *
3	1	303024A	* TYRE
4	1	373024B	* WHEEL ONLY - 8" diameter Bolted Assembly
5	1	00776214	HUB
6	2	00776213	BEARING & CUP
7	2	00776219	SEAL - GREASE
8	1	00772082	GREASE FITTING
9	4	00776214	SCREW - HEX HEADED
10	4	00776215	LUG WASHER
11	1	00776224	FORK
12	2	00772017	SLEEVE (SHOULDER)
13	2	00772018	DUST CUP
14	1	00776211	SPINDLE BOLT
15	2	15B2000	PLAIN WASHER
16	1	00776212	NUT
17	1	00036900	COTTER PIN
18	1	00771620	ROLL PIN
19	1	00776059	TAILWHEEL BEAM
20	1	00766611	TAILWHEEL BRACKET
21	1	00772082	GREASE FITTING
22	1	9213187	BOLT
23	3	9213166	BOLT
24	4	9313076	SETSCREW
25	4	9143006	SELF-LOCKING NUT

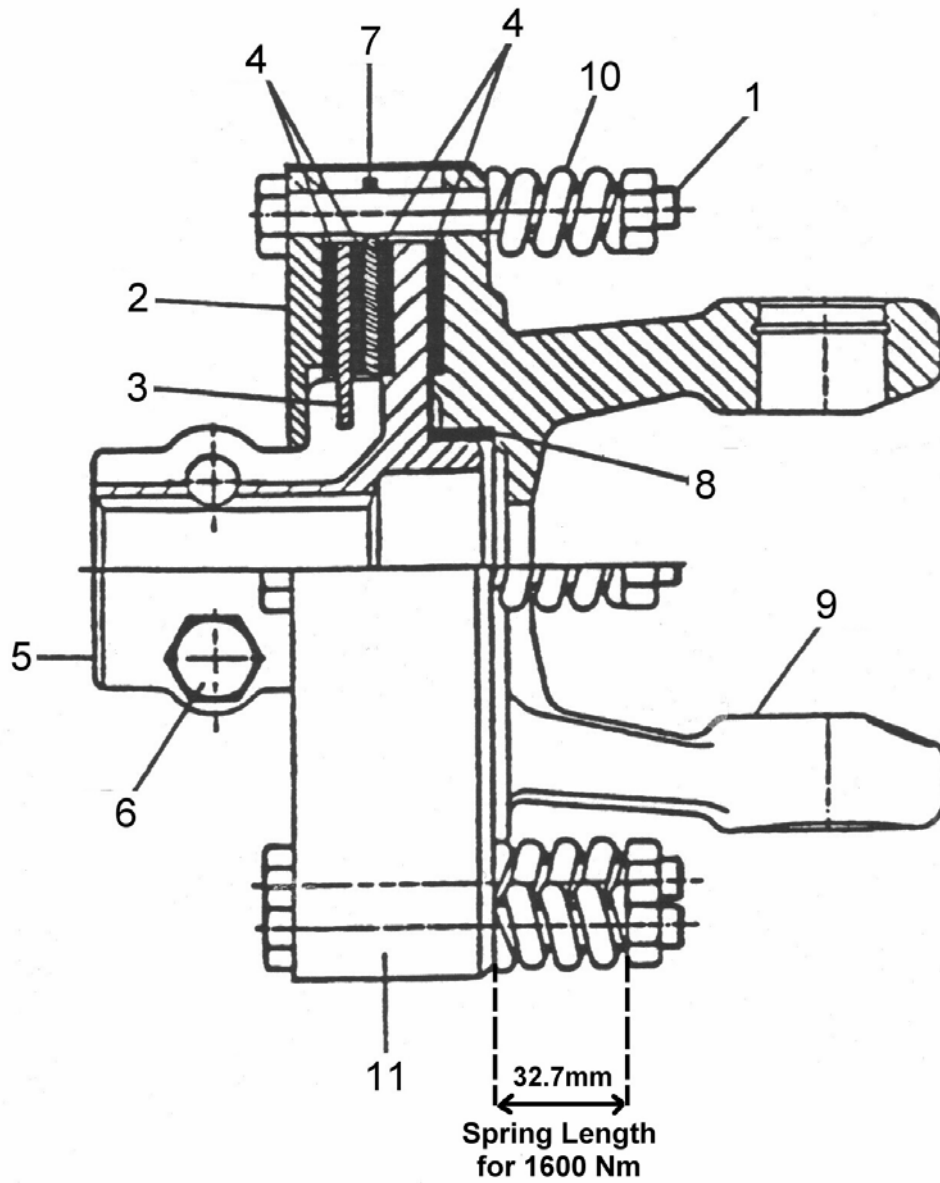


SE7 - GEARBOX ASSEMBLY




SE7 - GEARBOX ASSEMBLY

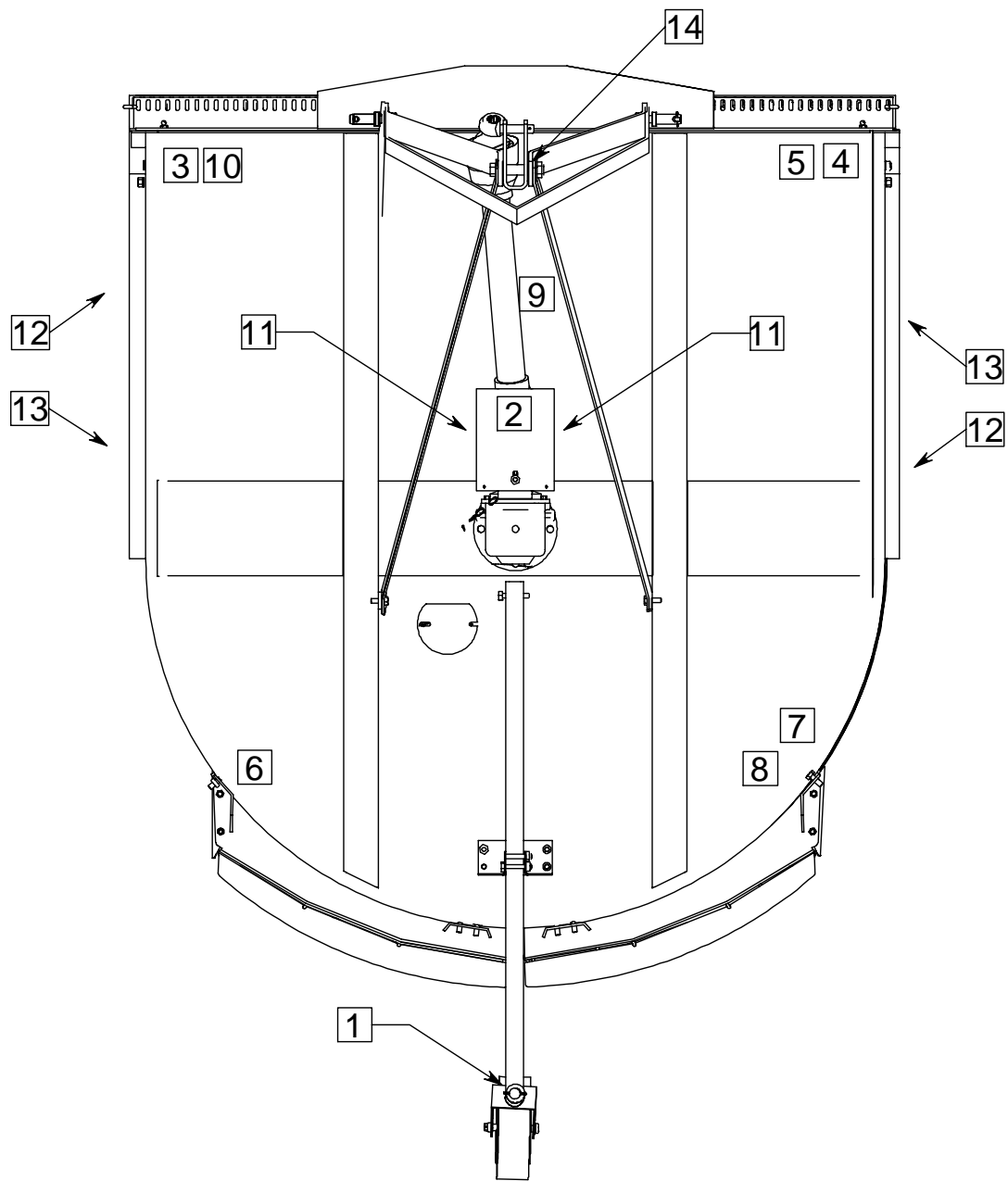
REF.	QTY.	PART No.	DESCRIPTION
		741031M	SE7 GEARBOX ASSEMBLY
1	1	00758989	HOUSING
2	1	00758990	OUTPUT SHAFT
3	2	00748522	BEARING CONE
4	2	00020600	BEARING CUP
5	1	00759055	OUTPUT GEAR - 17 TEETH
6	1	00758991	INPUT SHAFT
7	2	00748527	BEARING CONE
8	2	00748525	BEARING CUP
9	1	00748526	RETAINING RING
10	1	00759054	INPUT GEAR - 17 TEETH
11	<i>as req.</i>	7010420	GASKET 0.3
12	<i>as req.</i>	7010420	GASKET 0.15
13	<i>as req.</i>	7010420	GASKET 0.1
14	2	00753630	PIPE PLUG
15	1	00753644	SEAL
16	1	741035	INPUT CAP
17	8	00753642	CAPSCREW
18	8	00753633	LOCKWASHER
19	<i>as req.</i>	00748520	GASKET 0.3
20	<i>as req.</i>	00748520	GASKET 0.15
21	<i>as req.</i>	00748520	GASKET 0.1
22	1	00752155	OUTPUT CAP
23	4	00753743	LOCKWASHER
24	4	00748823	CAPSCREW
25	1	00753634	SEAL
26	1	00753631	PIPE PLUG - <i>not illustrated</i>
27	1	00759053	SPACER
28	1	00758654	BREATHING




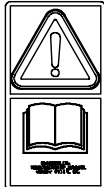








**SE7 – SLIP CLUTCH (00754200)**

REF.	QTY.	PART No.	DESCRIPTION
		00754200	SLIP CLUTCH ASSEMBLY
1	8	00754199	NUT & BOLT
2	1	00754203	PRESSURE PLATE
3	1	00754201	INNER PLATE
4	4	00754202	CLUTCH LINING
5	1	00754300	CLUTCH BODY
6	2	00752903	BOLT & NUT SET
7	1	00754314	PLATE WITH HOLES
8	1	00754301	SPACER
9	1	00754302	YOKE
10	8	00754303	CLUTCH SPRING
11	1	00754304	DIRT SHIELD

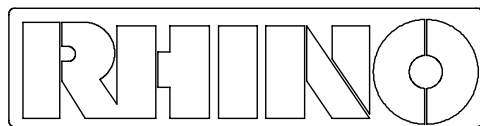
SE7 - DECALS



- 1

- 2

- 3

- 4

- 5

- 6

- 7

- 8

- 9

- 10




11



12



13



14

**SE7 - DECALS**

REF.	QTY.	PART No.	DESCRIPTION
		1047260	SE7 DECAL KIT
1	2	09.810.03	DECAL - GREASE 100 hrs
2	1	09.811.04	DECAL - PTO SPEED 540 rpm
3	1	09.821.10	DECAL - KEEP NUTS TIGHT
4	1	09.821.15	DECAL - READ INSTRUCTION MANUAL
5	1	09.821.16	DECAL - KEEP OUT ZONE
6	1	09.821.17	DECAL - UNSUPPORTED MACHINE
7	1	09.821.18	DECAL - THROWN DEBRIS
8	1	09.821.19	DECAL - ROTARY HEAD DANGER
9	1	09.821.20	DECAL - SHAFT ENTANGLEMENT
10	1	09.821.22	DECAL - UNBLOCK HEAD (ROTARY)
11	2	D302	DECAL - RHINO
12	2	D303	DECAL - RHINO
13	2	0921000010	DECAL - SE7
14	2	09.843.03	DECAL - LIFT POINT 500kg