

Publication 567  
February 2009  
Part No. 41571.67  
Revision: 30.06.14

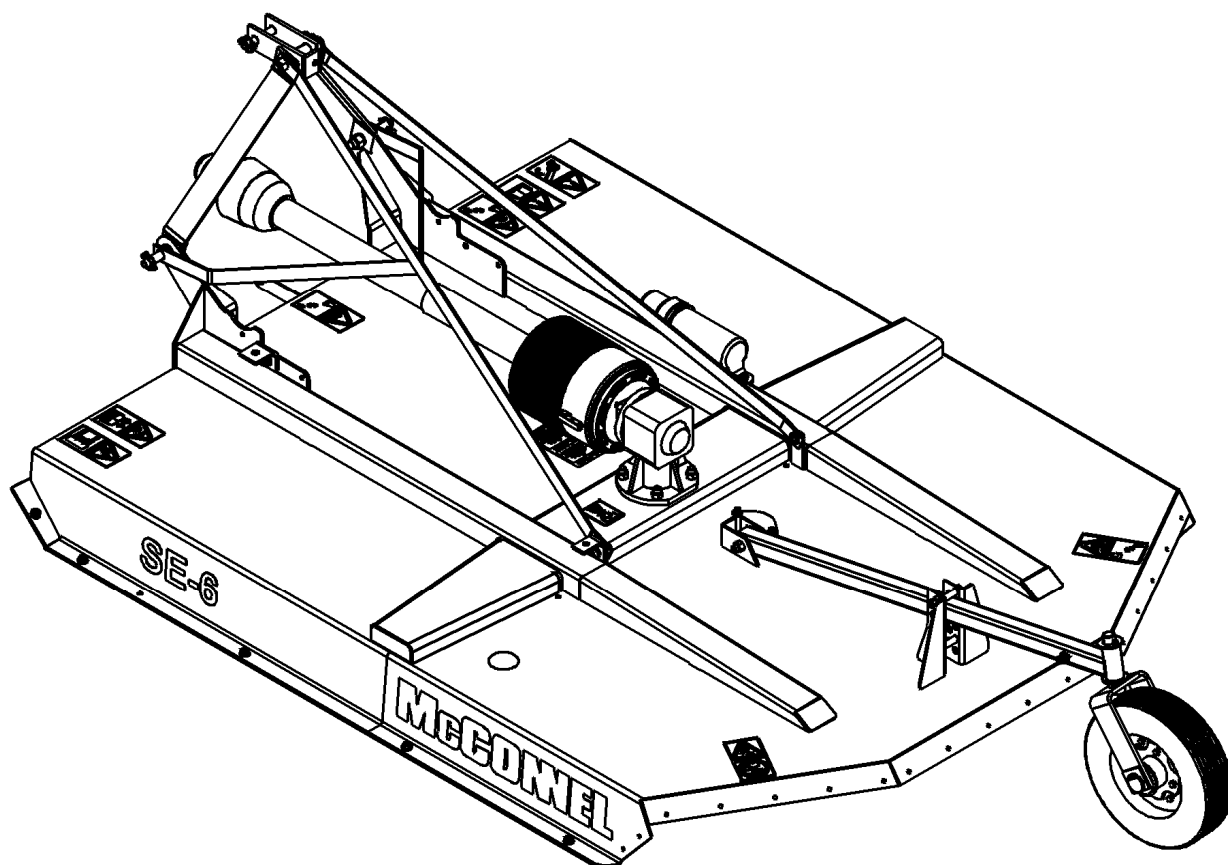
# SE5, SE6 & SE7

## ROTARY TOPPERS

2009 Models (Serial No. M0915877 onwards)



Parts Manual





*For best performance...*

**USE ONLY McCONNEL GENUINE SERVICE PARTS**

To be assured of the latest design improvements purchase your **Genuine Replacements** from the **Original Equipment Manufacturer:**

**McCONNEL LIMITED**

*through your local Dealer or Stockist.*

**Always quote:**

- ***Machine Type***
- ***Serial Number***
- ***Part Number***

**McConnel Limited**

**Temeside Works, Ludlow, Shropshire, SY8 1JL, England.**

**Telephone: 01584 873131**

**[www.mcconnel.com](http://www.mcconnel.com)**

*Design Improvements may have altered some of the parts listed in this manual –  
The latest part will always be supplied when it is interchangeable with an earlier one.*



# CONTENTS

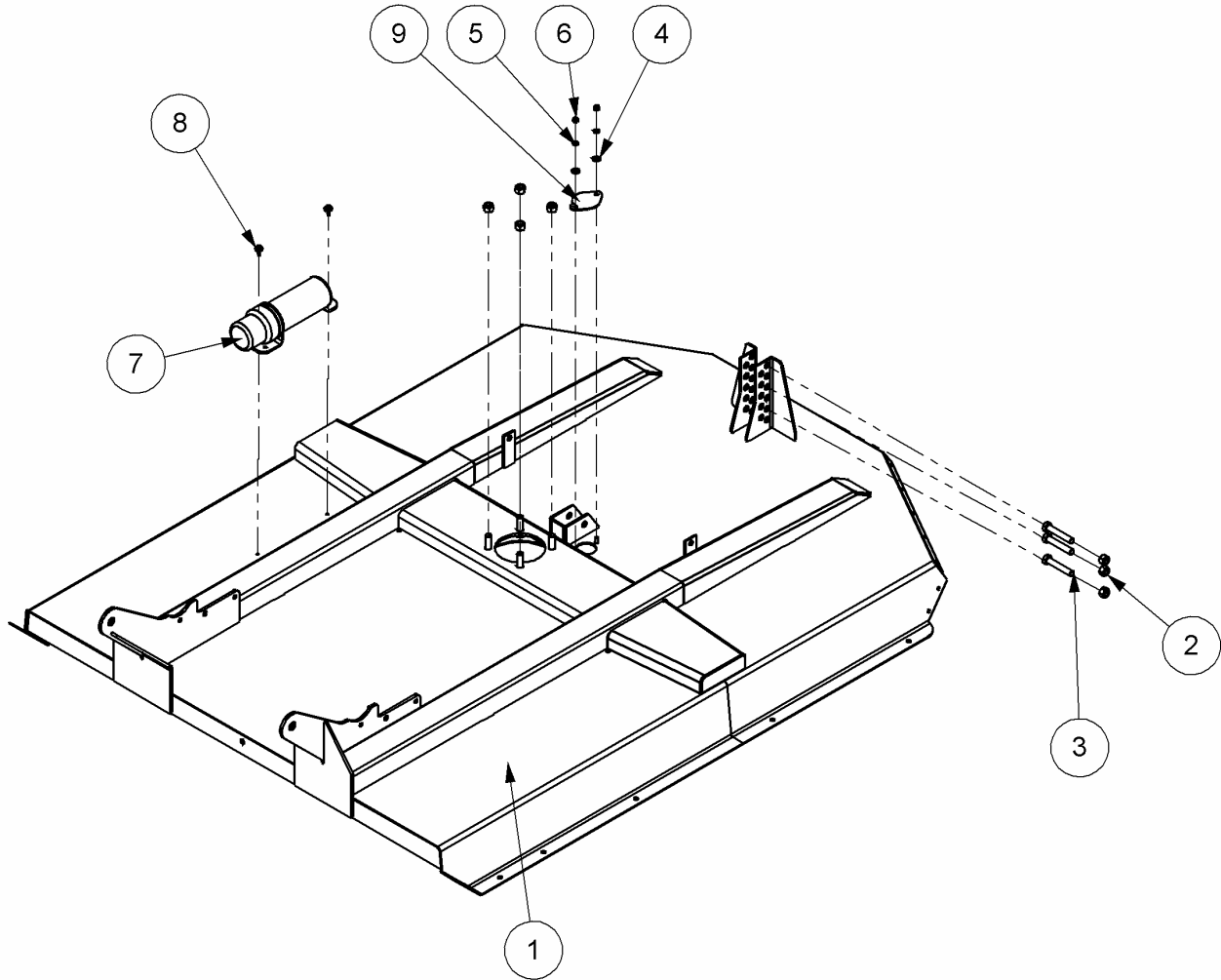
---

	Page No.
Deck Assembly – <i>SE5 Models</i>	1
Deck Assembly – <i>SE6 Models</i>	2
Deck Assembly – <i>SE7 Models</i>	3
A-Frame Assembly	4
Tail Beam Assembly	5
Gearbox & Bladepan Assembly – <i>SE5 Models</i>	6
Gearbox & Bladepan Assembly – <i>SE6 Models</i>	7
Gearbox & Bladepan Assembly – <i>SE7 Models</i>	8
Skid Kit Assembly – <i>SE5 Models</i>	9
Skid Kit Assembly – <i>SE6 Models</i>	10
Skid Kit Assembly – <i>SE7 Models</i>	11
Rear Guard Kit – <i>SE5 Models</i>	12
Rear Guard Kit – <i>SE6 Models</i>	13
Rear Guard Kit – <i>SE7 Models</i>	14
Decal Kit – <i>SE5 Models</i>	15
Decal Kit – <i>SE6 Models</i>	16
Decal Kit – <i>SE7 Models</i>	17
Transport Pack	18

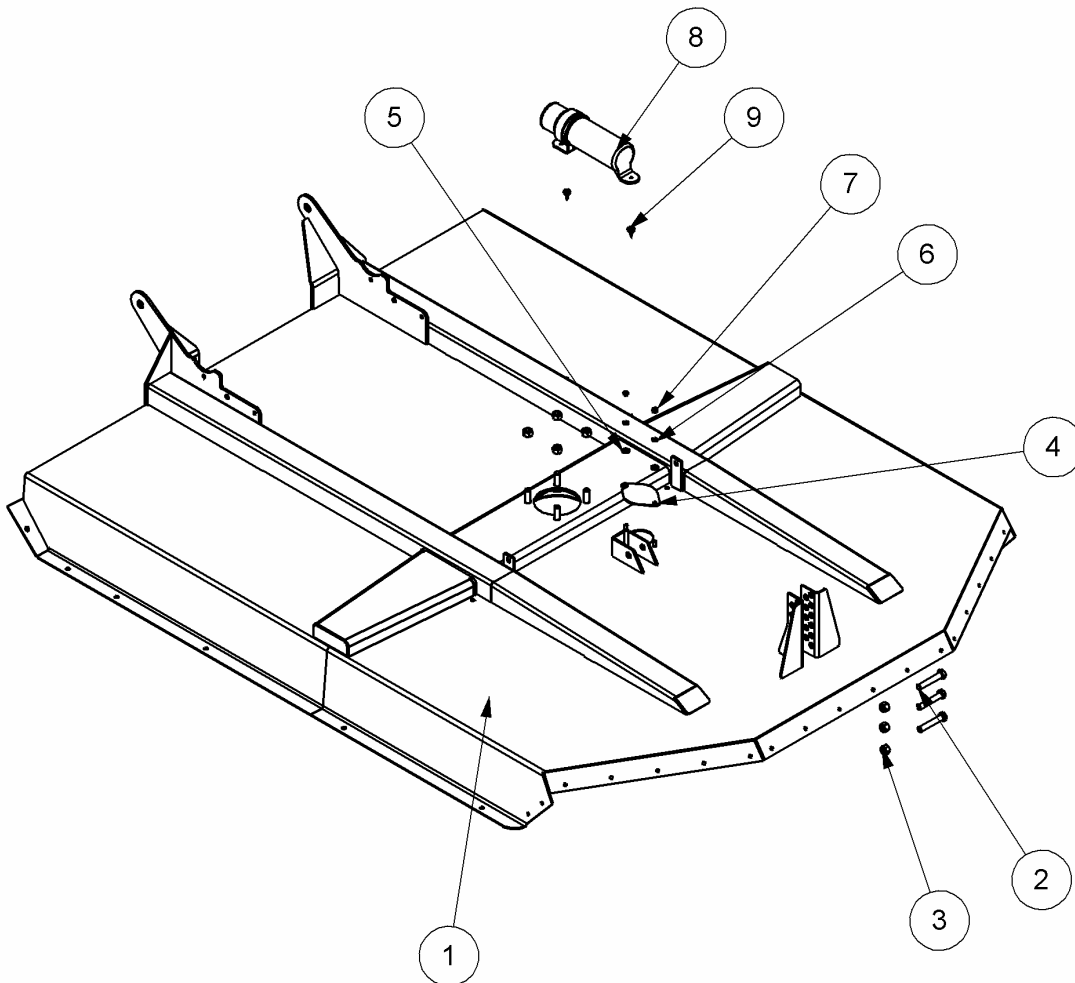
# SE5 DECK ASSEMBLY

**McCONNEL**

Module(s): 77.539.01



REF.	QTY.	PART No.	DESCRIPTION
		<b>77.539.01</b>	<b>SE5 DECK ASSEMBLY</b>
1	1	48105.02	TOP DECK - SE5
2	7	05.287.04	SELF-LOCKING NUT
3	3	05.292.32	BOLT
4	2	05.281.01	FLAT WASHER
5	2	05.282.01	SPRING WASHER
6	2	05.286.01	NUT
7	1	46505.01	LITERATURE HOLDER
8	2	05.969.02	SELF-TAPPING SCREW
9	1	48105.03	ACCESS PLATE

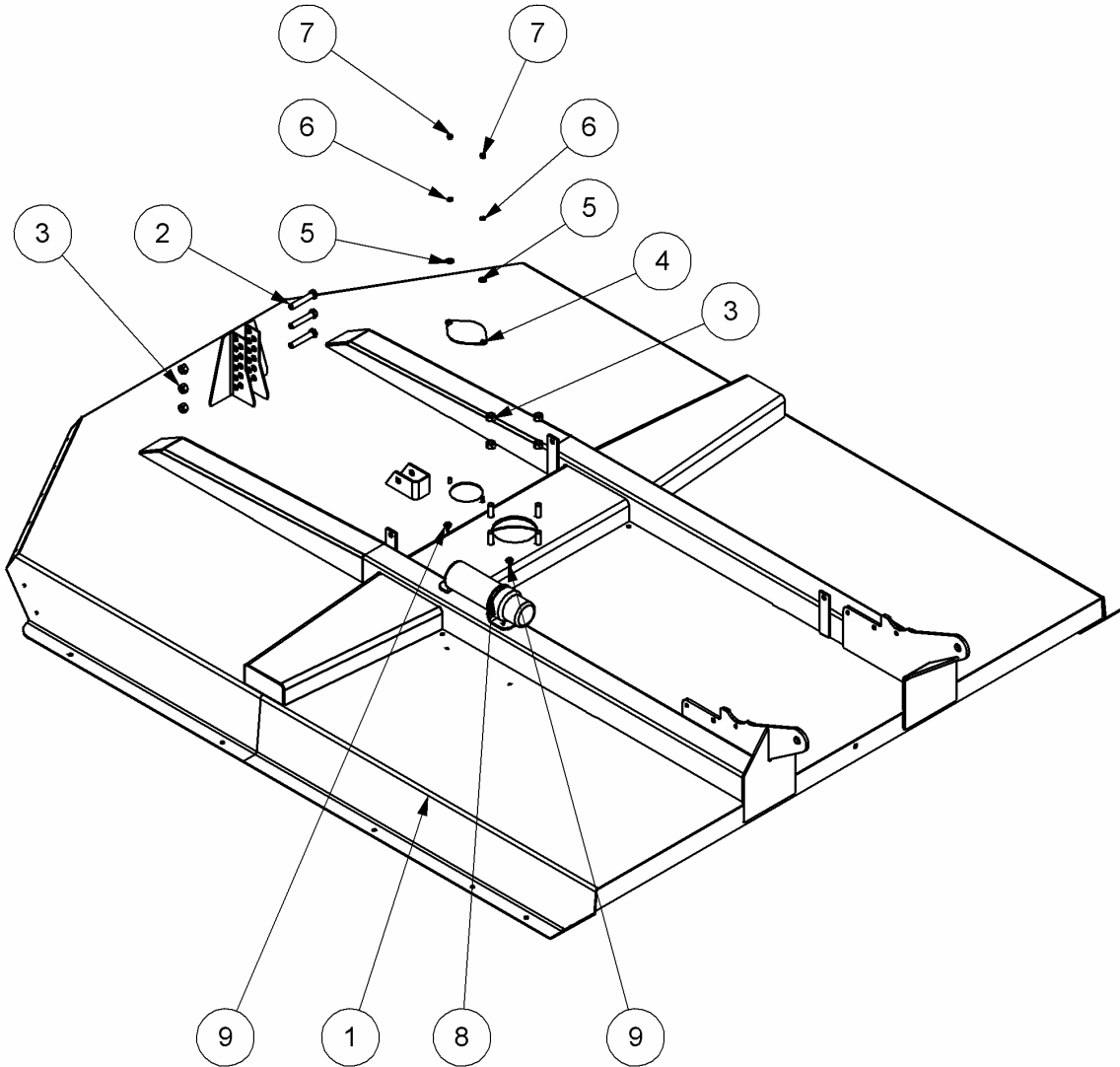


REF.	QTY.	PART No.	DESCRIPTION
		<b>77.531.07</b>	<b>SE6 DECK ASSEMBLY</b>
1	1	48103.06	TOP DECK - SE6
2	3	05.292.32	BOLT
3	7	05.287.04	SELF-LOCKING NUT
4	1	48103.02	ACCESS PLATE
5	2	05.281.01	FLAT WASHER
6	2	05.282.01	SPRING WASHER
7	2	05.286.01	NUT
8	1	46505.01	LITERATURE HOLDER
9	2	05.969.02	SELF-TAPPING SCREW

# SE7 DECK ASSEMBLY

**McCONNEL**

Module(s): 77.551.01

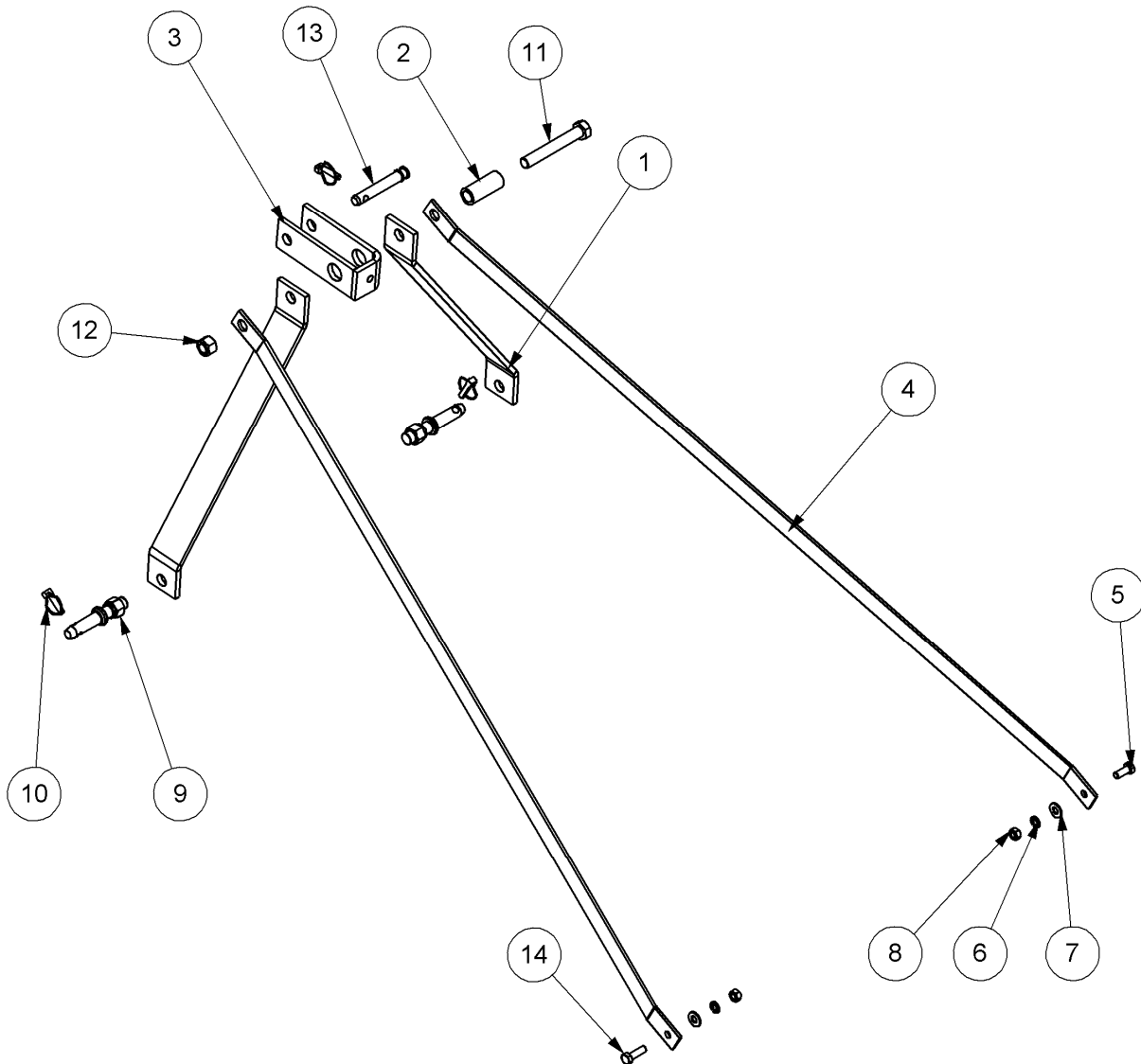


REF.	QTY.	PART No.	DESCRIPTION
		<b>77.551.01</b>	<b>SE7 DECK ASSEMBLY</b>
1	1	48194.01	TOP DECK - SE7
2	3	05.292.32	BOLT
3	7	05.287.04	SELF-LOCKING NUT
4	1	48103.15	ACCESS PLATE
5	2	05.281.01	FLAT WASHER
6	2	05.282.01	SPRING WASHER
7	2	05.286.01	NUT
8	1	46505.01	LITERATURE HOLDER
9	2	05.969.02	SELF-TAPPING SCREW

# A-FRAME ASSEMBLY

Module(s): 77.531.09

# McCONNEL



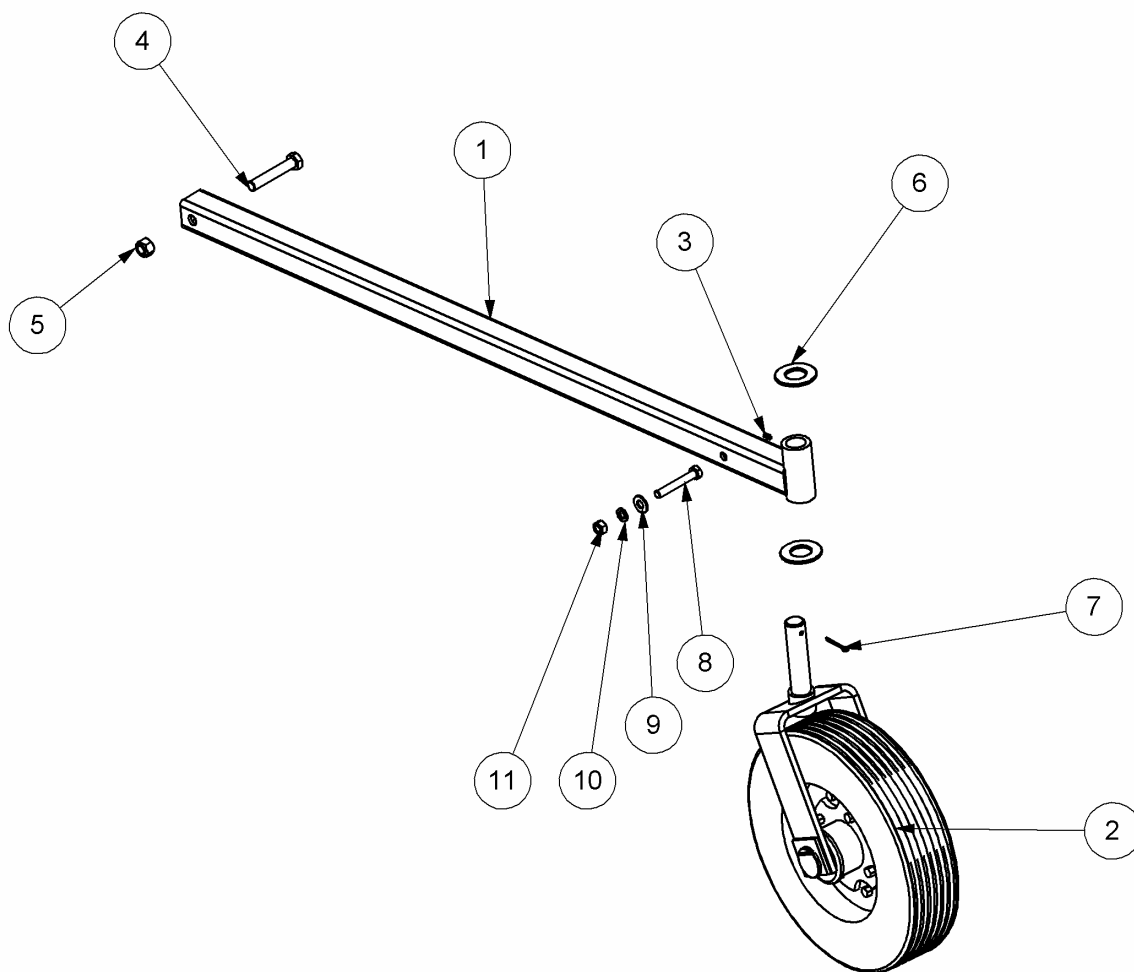
REF.	QTY.	PART No.	DESCRIPTION
		<b>77.531.09</b>	<b>A-FRAME ASSEMBLY</b>
1	2	48102.04	FLAT
2	1	00766542	BUSHING
3	1	48103.05	TOP LINK
4	2	48102.21	PLATE
5	1	05.264.23	SETSCREW
6	2	05.282.03	SPRING WASHER
7	2	05.281.03	FLAT WASHER
8	2	05.286.03	NUT
9	2	00603500	WRIST PIN
10	3	00.372.01	LINCH PIN
11	1	05.292.47	BOLT
12	1	05.287.05	SELF-LOCKING NUT
13	1	T1657	TOP LINK PIN
14	1	05.264.25	SETSCREW



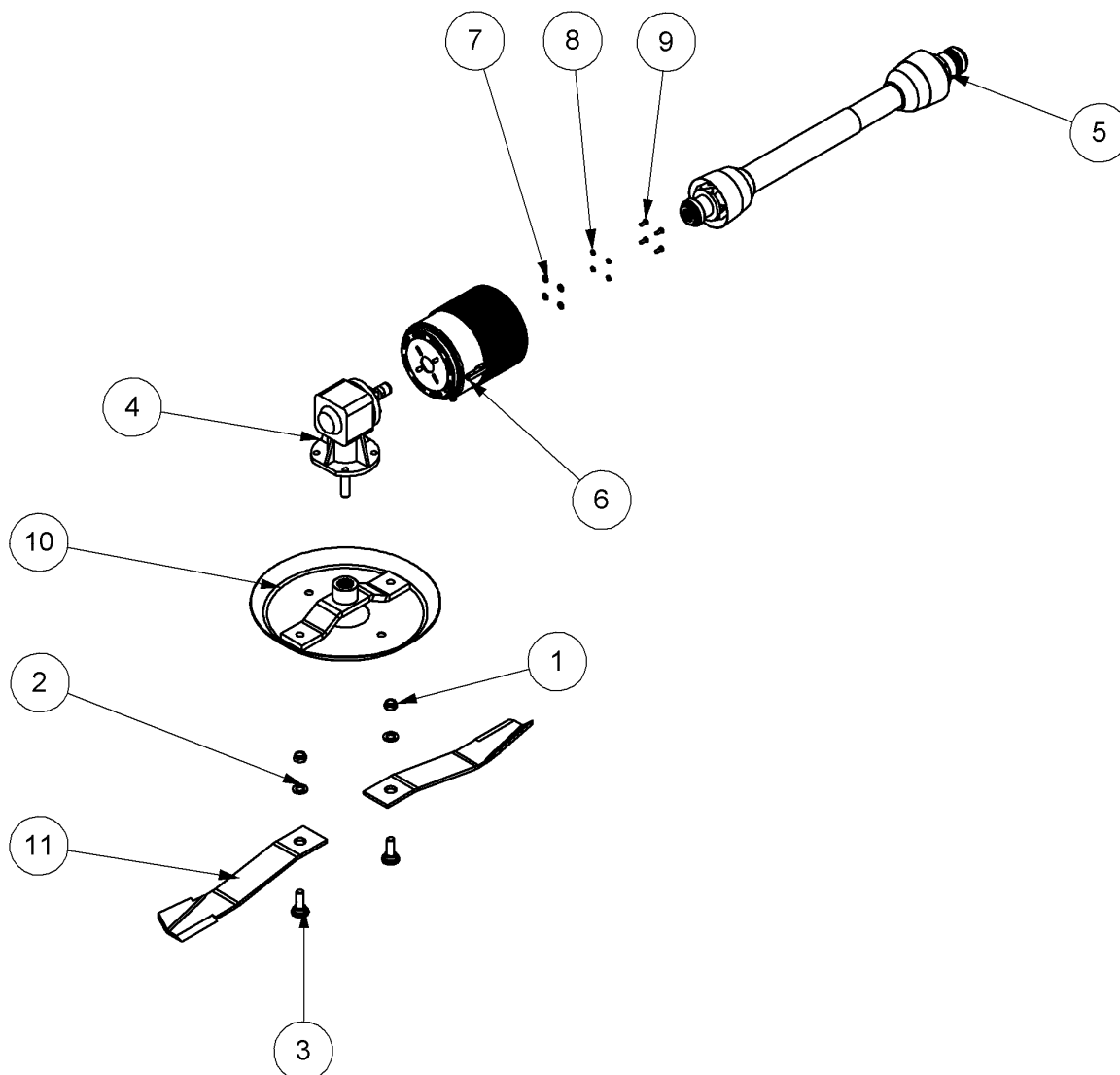
# TAIL BEAM ASSEMBLY

**McCONNEL**

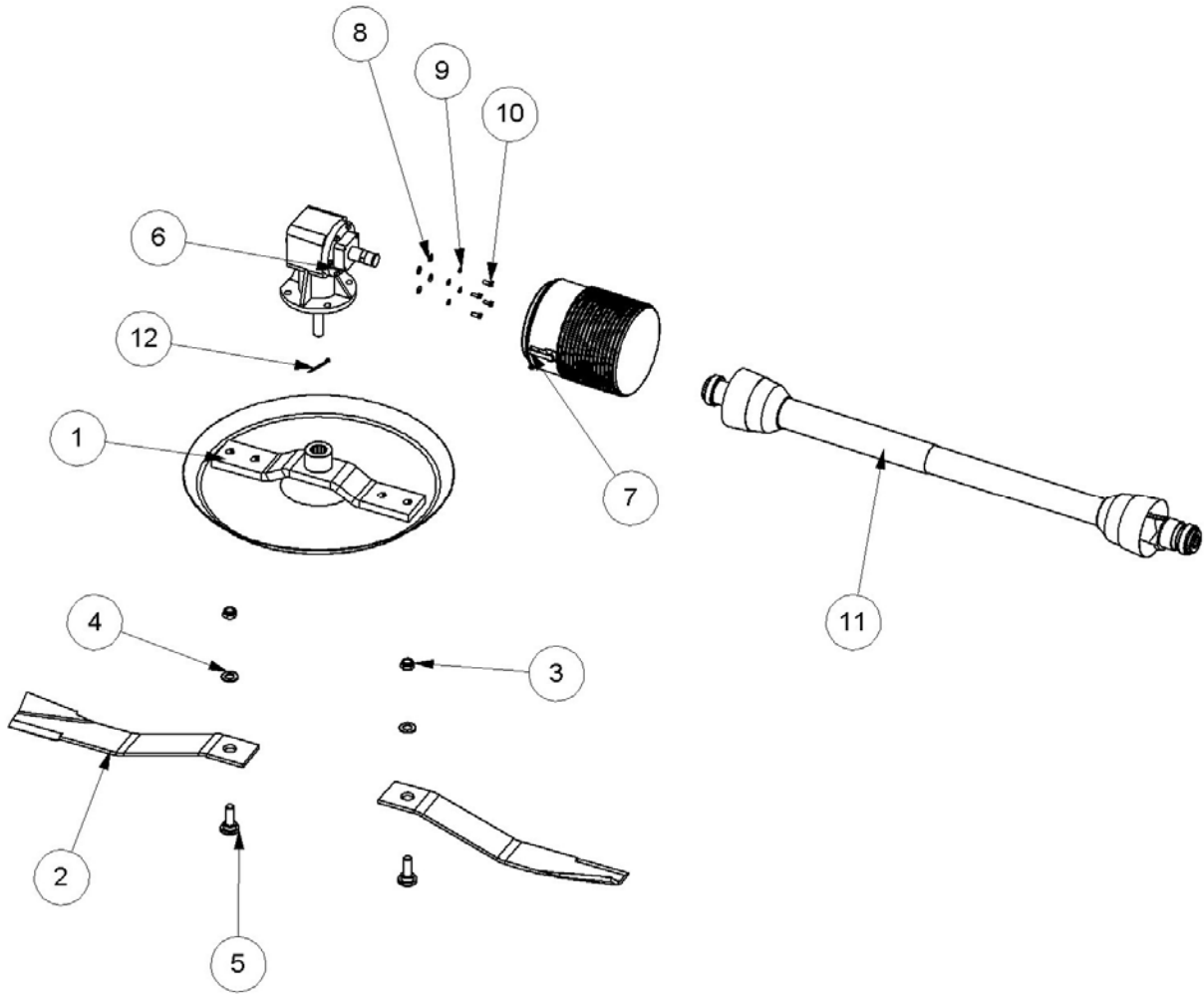
Module(s): 77.531.03



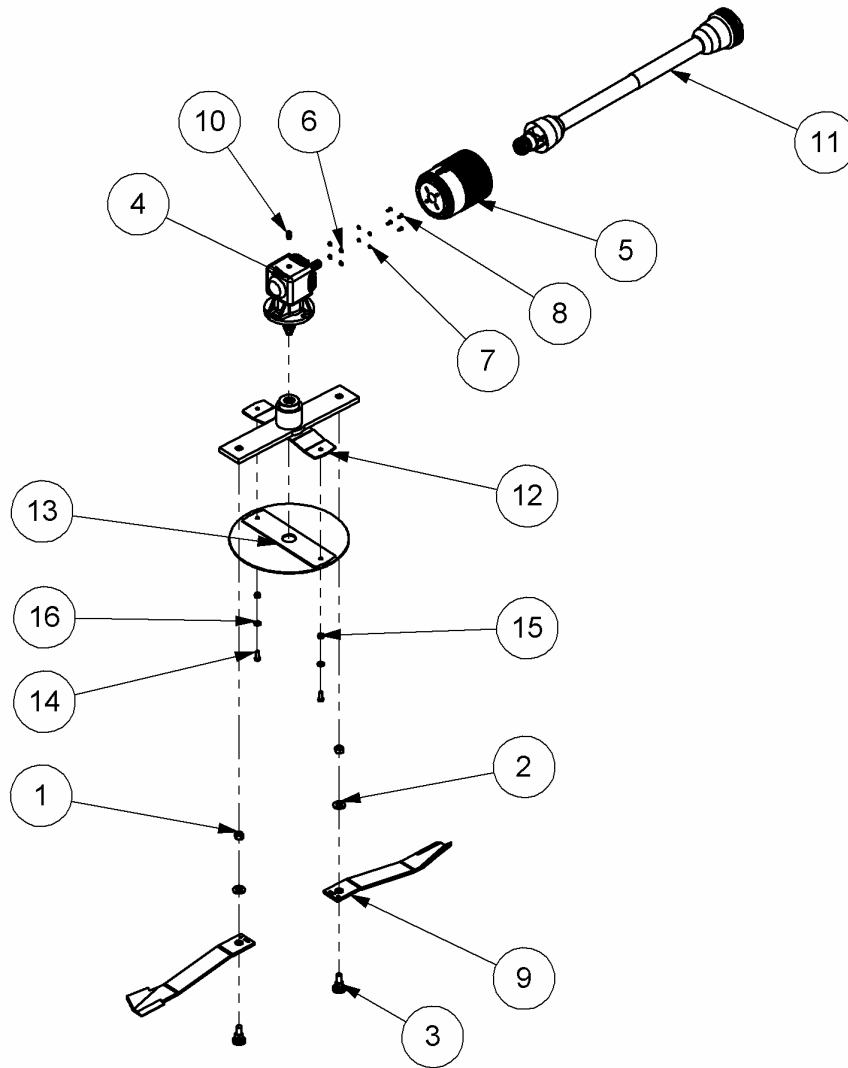
REF.	QTY.	PART No.	DESCRIPTION
		<b>77.531.03</b>	<b>TAIL BEAM ASSEMBLY</b>
1	1	48102.02	TAIL BEAM
2	1	1047262	WHEEL & FORK ASSEMBLY
3	1	05.953.01	GREASE NIPPLE
4	1	05.292.32	BOLT
5	1	05.287.04	SELF-LOCKING NUT
6	2	48103.04	THRUST WASHER
7	1	05.284.03	SPLIT COTTER
8	1	05.292.21	BOLT
9	1	05.281.03	FLAT WASHER
10	1	05.282.03	SPRING WASHER
11	1	05.286.03	NUT



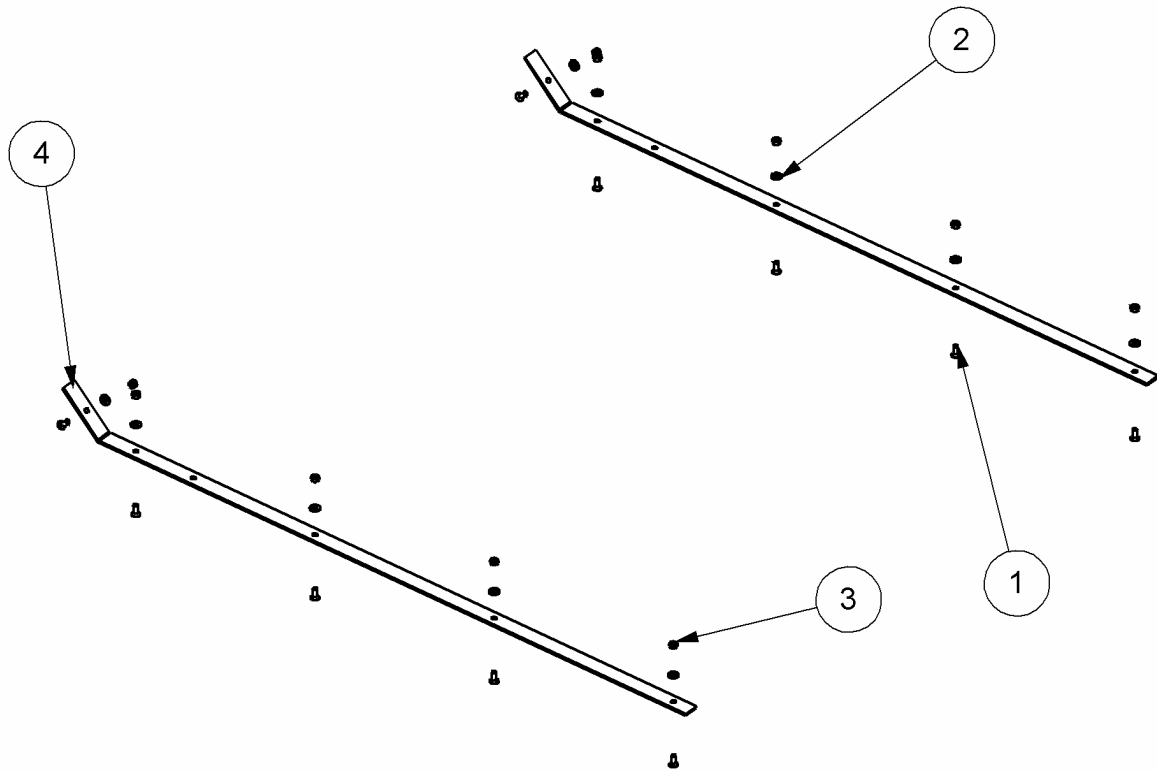
REF.	QTY.	PART No.	DESCRIPTION
		<b>77.541.01</b>	<b>SE5 GEARBOX &amp; BLADEPAN</b>
1	2	0141008	CLEVELOCK NUT
2	2	00761535	WASHER
3	2	00761402	BOLT
4	1	0711050100	GEARBOX c/w SLOTTED NUT
5	1	41623.04	PTO SHAFT
6	1	21839.01	PTO GUARD COVER
7	4	05.281.01	FLAT WASHER
8	4	05.282.01	SPRING WASHER
9	4	05.264.01	SETSCREW
10	1	00766590	BLADEPAN
11	2	00764665	SUCTION BLADE (ACW)



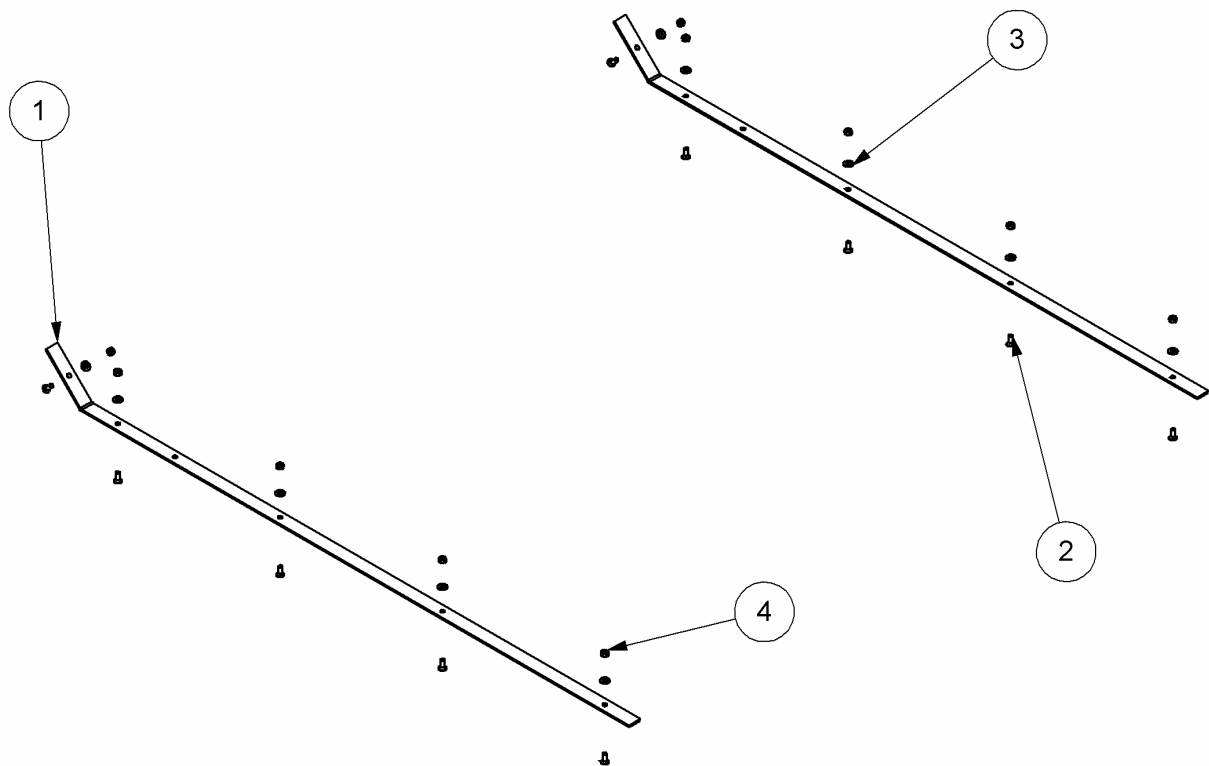
REF.	QTY.	PART No.	DESCRIPTION
		<b>77.531.08</b>	<b>SE6 GEARBOX &amp; BLADEPAN</b>
1	1	00770064P	BLADEPAN
2	2	1046006	SUCTION BLADE (ACW)
3	2	0141008	CLEVELOCK NUT
4	2	00761535	WASHER
5	2	00761402	BOLT
6	1	0711050100	GEARBOX c/w SLOTTED NUT
7	1	21839.01	PTO GUARD COVER
8	4	05.281.01	FLAT WASHER
9	4	05.282.01	SPRING WASHER
10	4	05.264.01	SETSCREW
11	1	41623.04	PTO SHAFT
12	1	05.284.18	SPLIT COTTER



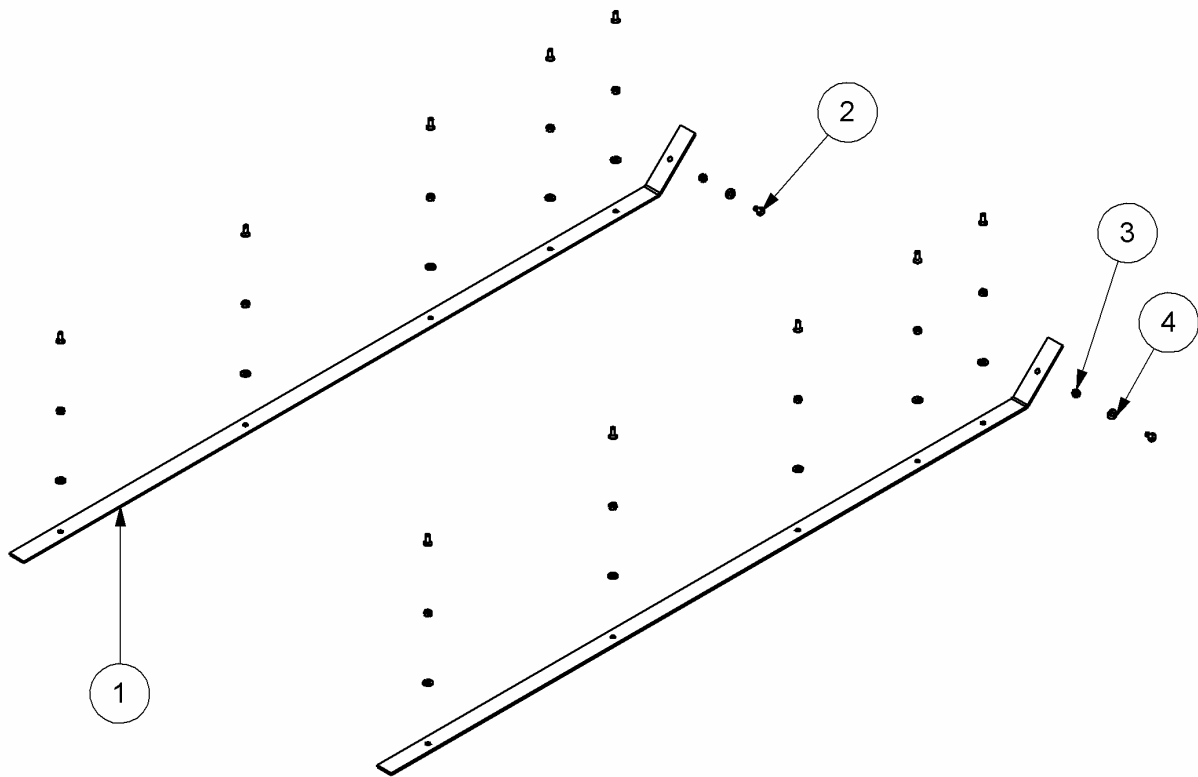
REF.	QTY.	PART No.	DESCRIPTION
		<b>77.552.01</b>	<b>SE7 GEARBOX &amp; BLADEPAN</b>
1	2	5JRC16140	LOCKNUT (BLADE BOLT)
2	2	05.962.05	FLAT WASHER
3	2	8251	BLADE BOLT
4	1	741031M	GEARBOX
5	1	21839.01	PTO GUARD COVER
6	4	05.281.01	FLAT WASHER
7	4	05.282.01	SPRING WASHER
8	4	05.264.01	SETSCREW
9	2	00764669	BLADE (ACW)
10	1	00758654	GEARBOX BREATHER
11	1	00761329	PTO SHAFT
12	1	48211.01	BLADE CARRIER
13	1	48210.01	DISHPAN
14	2	05.264.35	SETSCREW
15	2	05.287.04	SELF-LOCKING NUT
16	2	05.281.04	FLAT WASHER



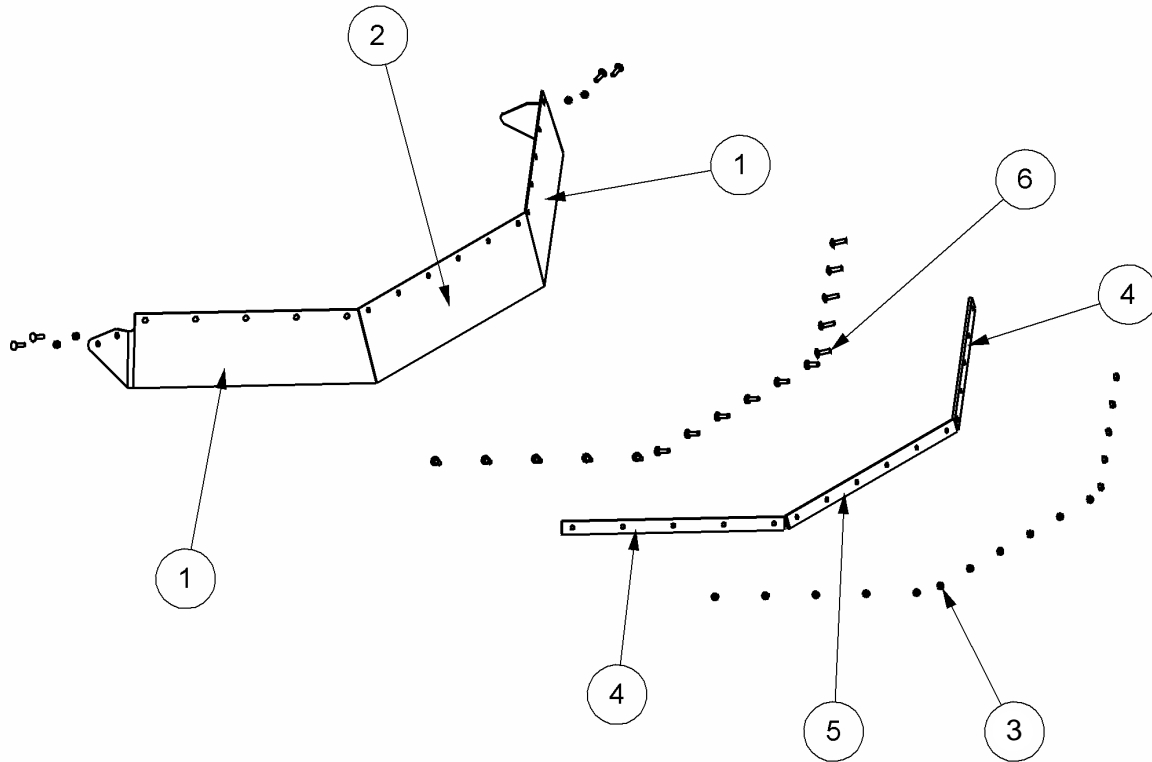
REF.	QTY.	PART No.	DESCRIPTION
		<b>91.231.95</b>	<b>SE5 SKID KIT ASSEMBLY</b>
1	2	48103.08	SKID
2	10	9333045	CAPSCREW
3	10	05.281.02	FLAT WASHER
4	10	05.287.02	SELF-LOCKING NUT



REF.	QTY.	PART No.	DESCRIPTION
		<b>91.231.96</b>	<b>SE6 SKID KIT ASSEMBLY</b>
1	2	48103.03	SKID
2	10	9333045	CAPSCREW
3	10	05.281.02	FLAT WASHER
4	10	05.287.02	SELF-LOCKING NUT

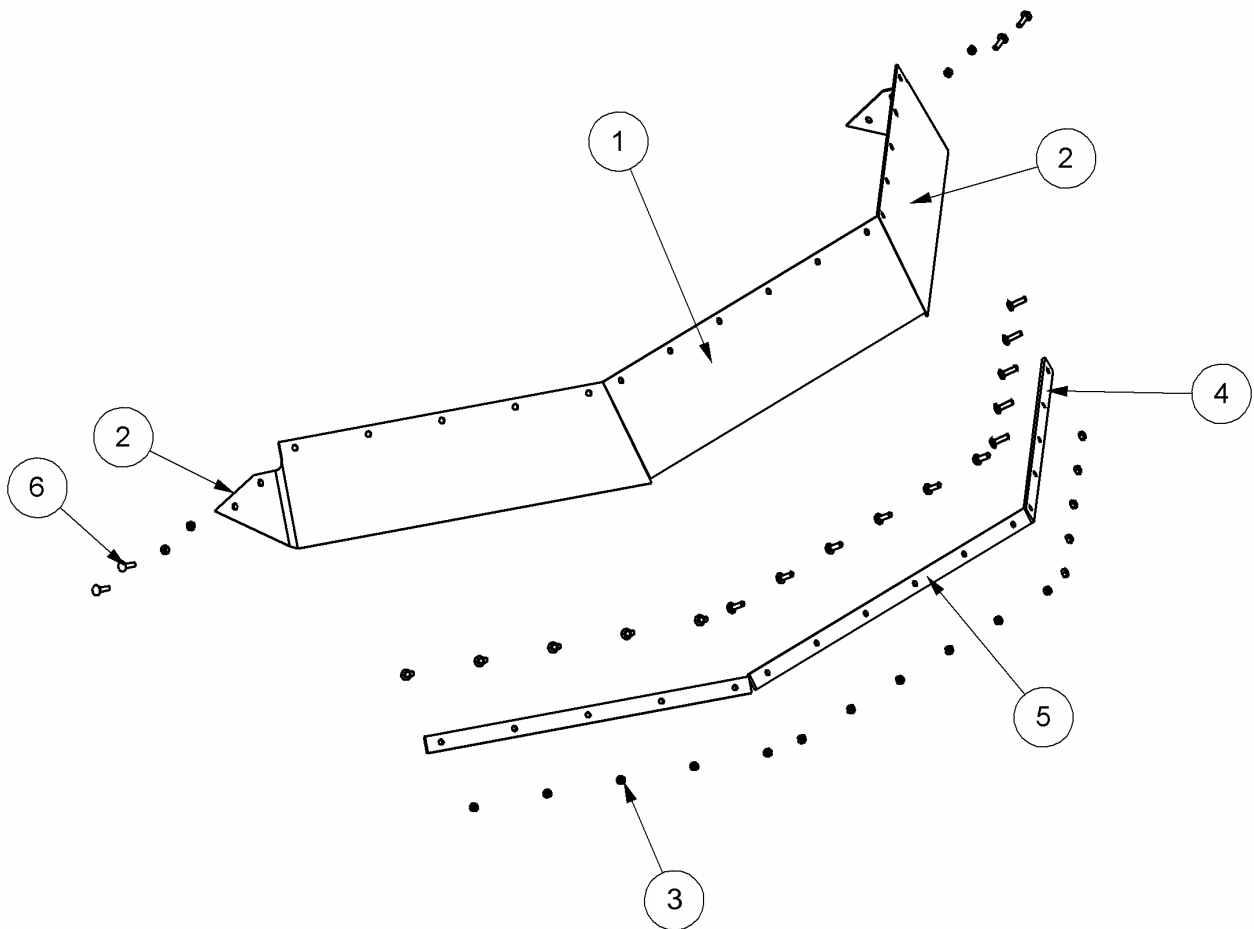


REF.	QTY.	PART No.	DESCRIPTION
		<b>91.231.93</b>	<b>SE7 SKID KIT ASSEMBLY</b>
1	2	48103.16	SKID
2	12	9333045	CAPSCREW
3	12	05.287.02	SELF-LOCKING NUT
4	12	05.281.02	FLAT WASHER

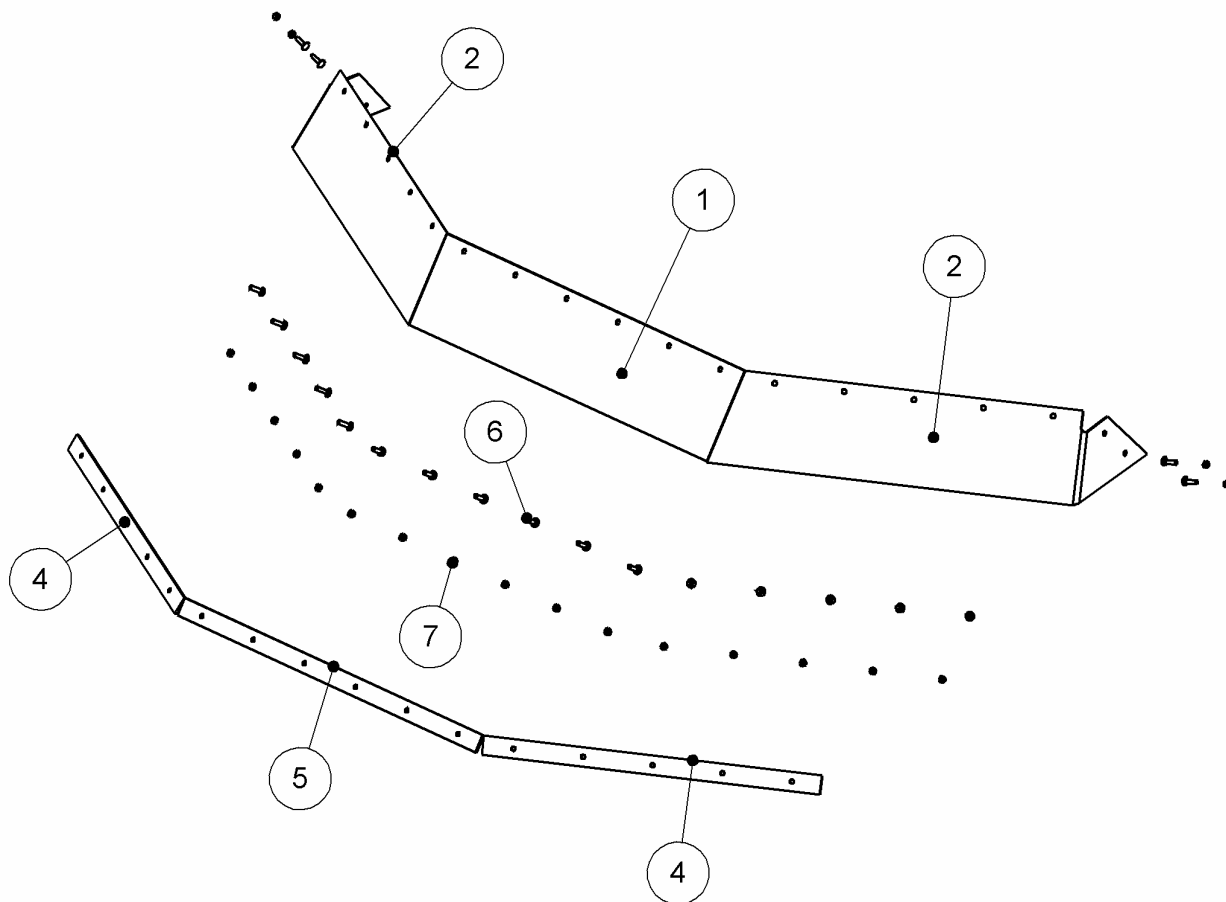


REF.	QTY.	PART No.	DESCRIPTION
		<b>91.231.97</b>	<b>SE5 REAR GUARD KIT</b>
1	1	48105.04	FLEXIBLE GUARD (REAR SIDES)
2	2	48105.05	FLEXIBLE GUARD (REAR CENTRE)
3	20	05.287.01	SELF-LOCKING NUT
4	2	48101.10	BACKING STRIP
5	1	48101.11	BACKING STRIP
6	20	9293064	CUP SQUARE BOLT

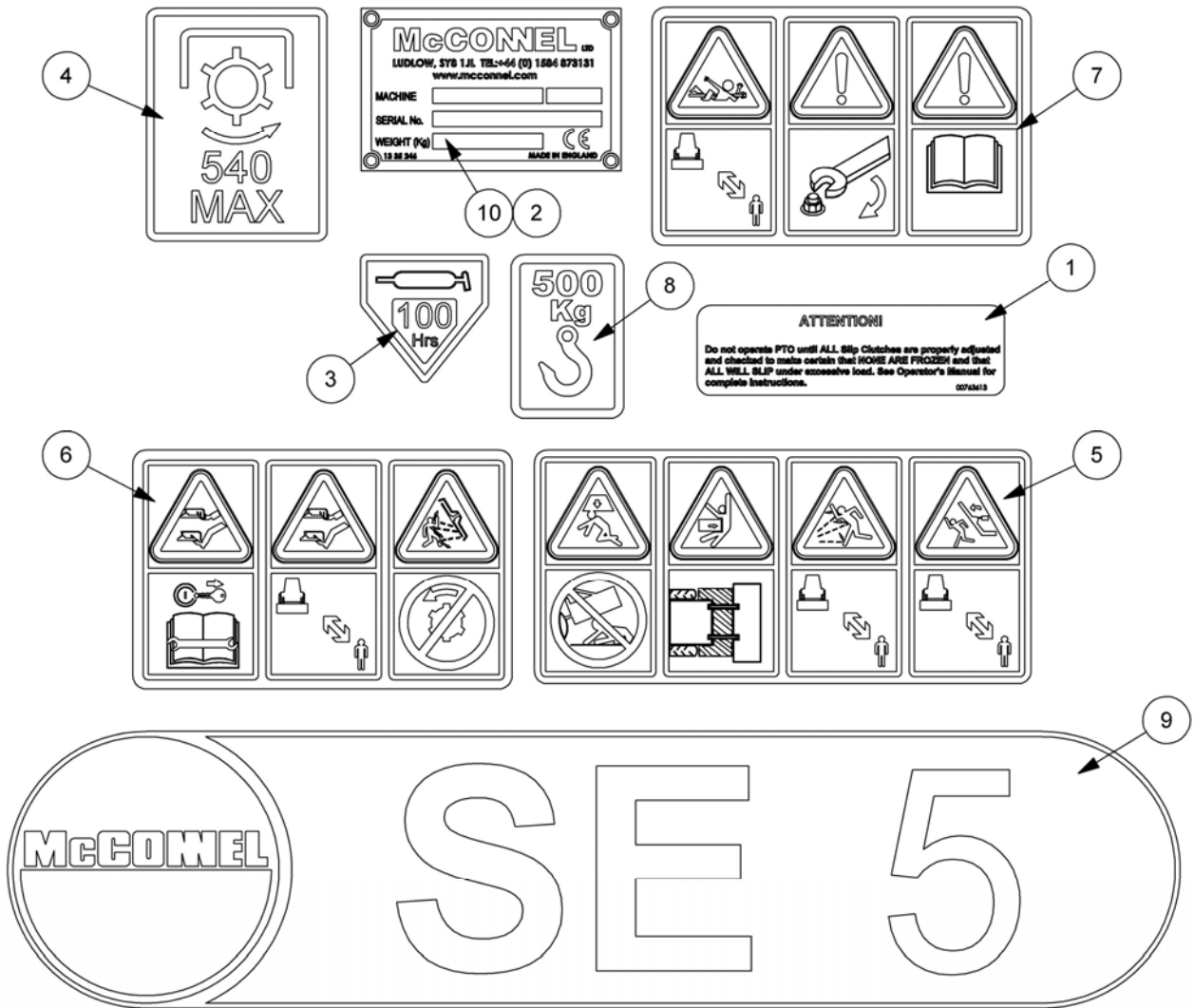




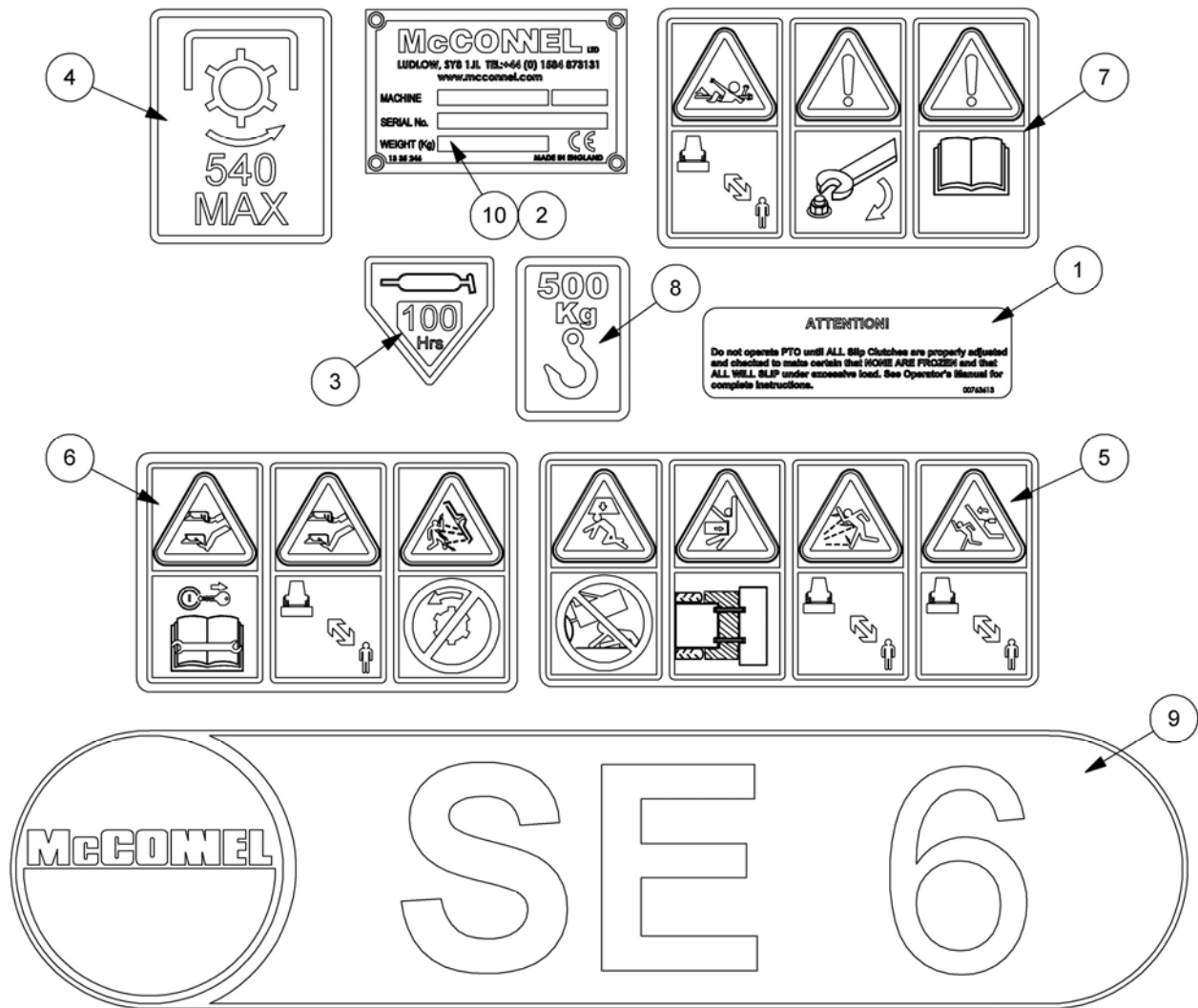
REF.	QTY.	PART No.	DESCRIPTION
		<b>91.231.98</b>	<b>SE6 REAR GUARD KIT</b>
1	1	48101.42	FLEXIBLE GUARD (REAR CENTRE)
2	2	48101.41	FLEXIBLE GUARD (REAR SIDES)
3	20	05.287.01	SELF-LOCKING NUT
4	2	48101.04	BACKING STRIP
5	1	48101.05	BACKING STRIP
6	20	9293064	CUP SQUARE BOLT



REF.	QTY.	PART No.	DESCRIPTION
		<b>91.231.94</b>	<b>SE7 REAR GUARD KIT</b>
1	1	48101.55	FLEXIBLE GUARD (REAR CENTRE)
2	2	48101.54	FLEXIBLE GUARD (REAR SIDES)
3	2	48101.12	BACKING STRIP
4	1	48101.13	BACKING STRIP
5	20	9293064	CUP SQUARE BOLT
6	20	05.287.01	SELF-LOCKING NUT



REF.	QTY.	PART No.	DESCRIPTION
		<b>76.238.01</b>	<b>SE5 DECAL KIT</b>
1	1	00763613	DECAL - SLIP CLUTCH
2	4	05.227.01	HAMMER DRIVE SCREW
3	1	09.810.03	DECAL - GREASE 100hrs
4	1	09.811.04	DECAL - 540 MAX ACW
5	1	09.821.29	EURODECAL
6	1	09.821.30	EURODECAL
7	1	09.821.34	EURODECAL
8	1	09.843.03	DECAL - LIFT POINT 500kg
9	2	1290835	DECAL - SE 5
10	1	1335246	SERIAL No. PLATE

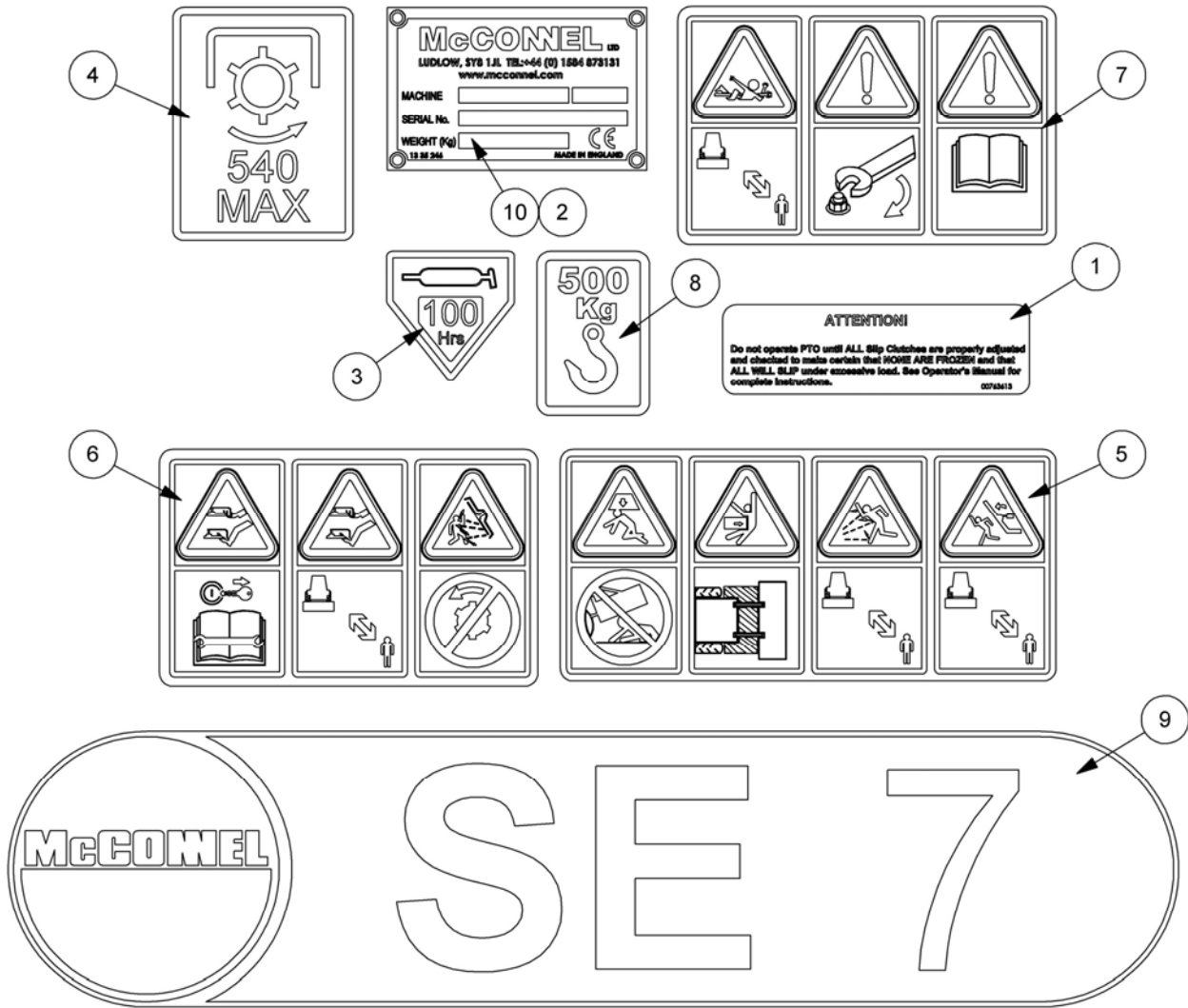


REF.	QTY.	PART No.	DESCRIPTION
		<b>76.241.01</b>	<b>SE6 DECAL KIT</b>
1	1	00763613	DECAL - SLIP CLUTCH
2	4	05.227.01	HAMMER DRIVE SCREW
3	1	09.810.03	DECAL - GREASE 100hrs
4	1	09.811.04	DECAL - 540 MAX ACW
5	1	09.821.29	EURODECAL
6	1	09.821.30	EURODECAL
7	1	09.821.34	EURODECAL
8	1	09.843.03	DECAL - LIFT POINT 500kg
9	2	1290836	DECAL - SE 6
10	1	1335246	SERIAL No. PLATE

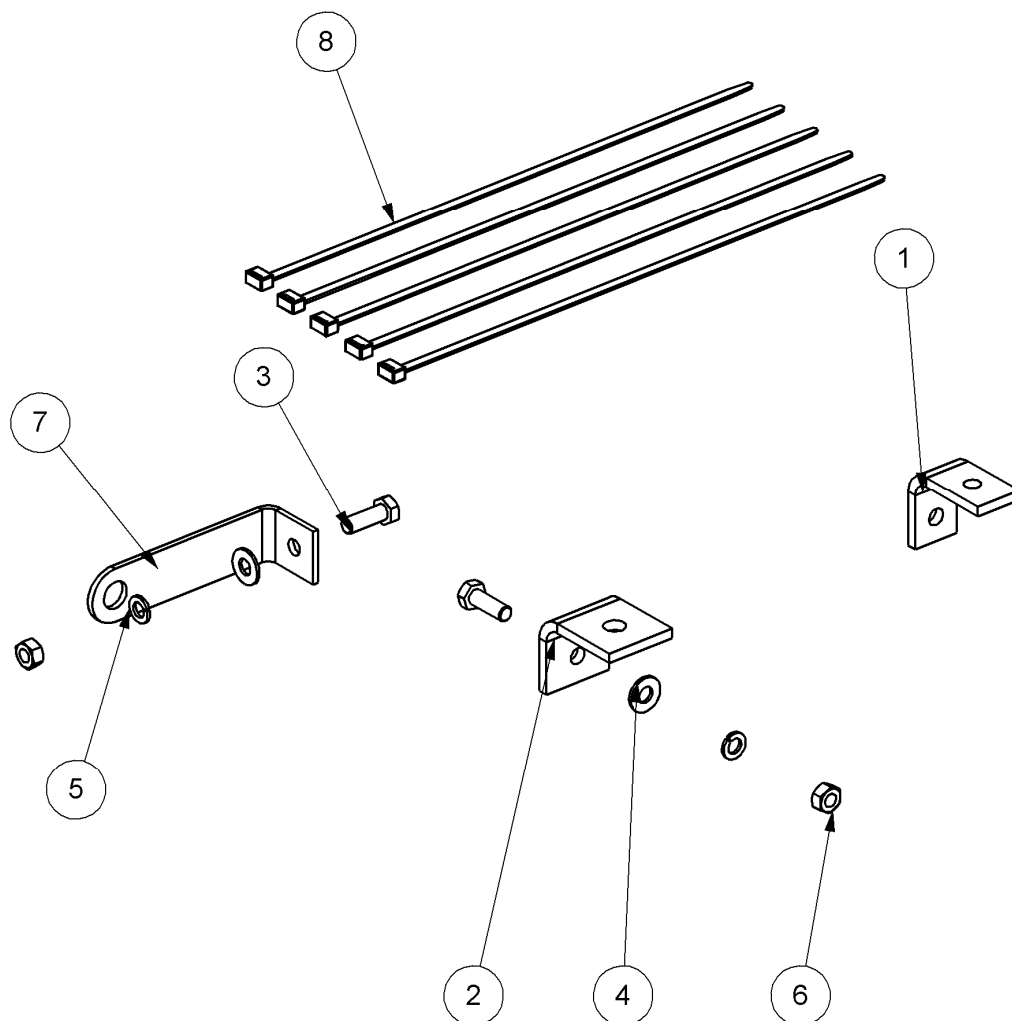
SE 7 DECAL KIT

Module(s): 77.544.03

**McCONEL**



REF.	QTY.	PART No.	DESCRIPTION
		<b>77.544.03</b>	<b>SE7 DECAL KIT</b>
1	1	00763613	DECAL - SLIP CLUTCH
2	4	05.227.01	HAMMER DRIVE SCREW
3	1	09.810.03	DECAL - GREASE 100hrs
4	1	09.811.04	DECAL - 540 MAX ACW
5	1	09.821.29	EURODECAL
6	1	09.821.30	EURODECAL
7	1	09.821.34	EURODECAL
8	1	09.843.03	DECAL - LIFT POINT 500kg
9	2	1290834	DECAL - SE 7
10	1	1335246	SERIAL No. PLATE



REF.	QTY.	PART No.	DESCRIPTION
		<b>77.531.10</b>	<b>TRANSPORT PACK</b>
1	1	48103.09	TRANSPORT BRACKET
2	1	48103.10	TRANSPORT BRACKET
3	2	05.264.24	SETSCREW
4	2	05.281.03	FLAT WASHER
5	2	05.282.03	SPRING WASHER
6	2	05.286.03	NUT
7	1	48103.11	PLATE
8	5	06.023.01	CABLE TIE





McConnel Limited, Temeside Works, Ludlow, Shropshire SY8 1JL. England.  
Telephone: 01584 873131. Facsimile: 01584 876463. [www.mcconnel.com](http://www.mcconnel.com)