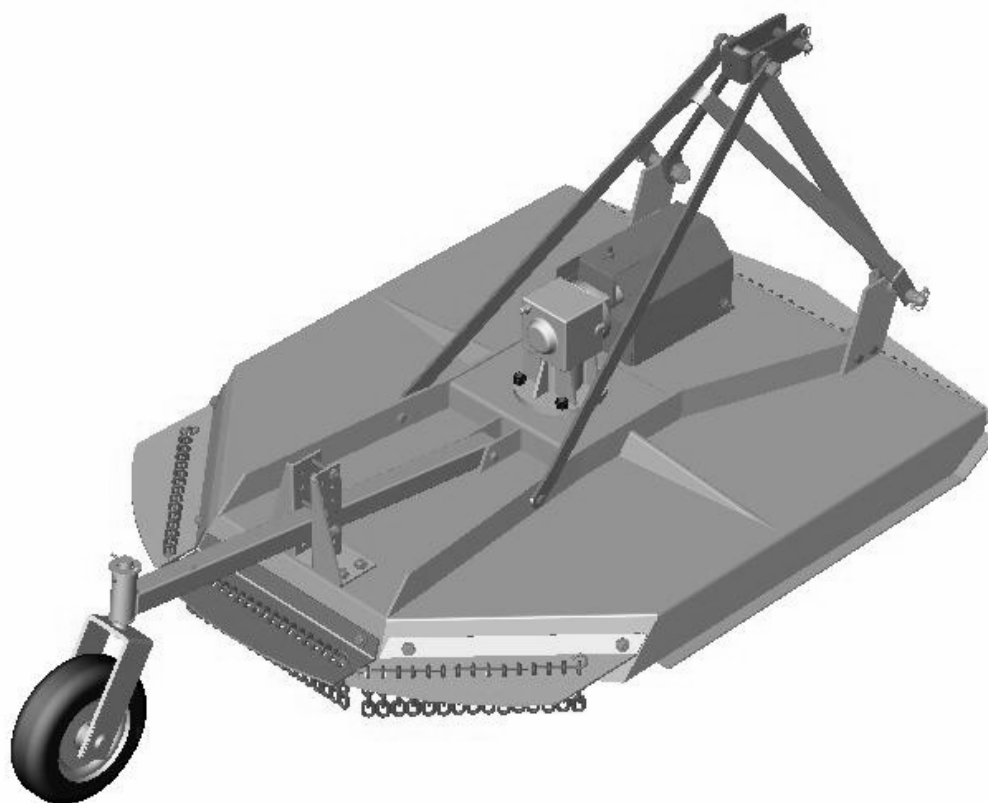
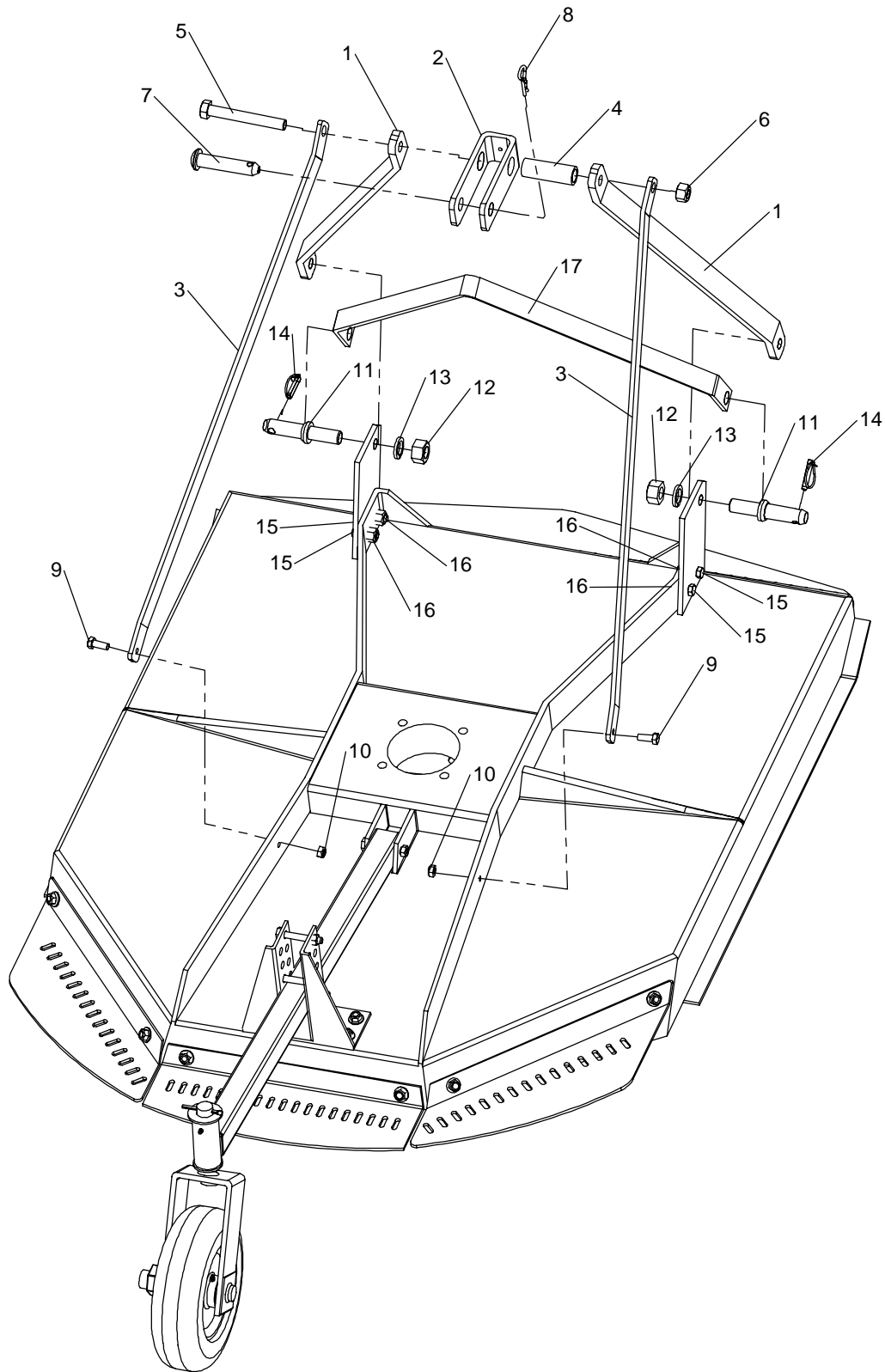


SE4



SE4 - 'A' FRAME ASSEMBLY

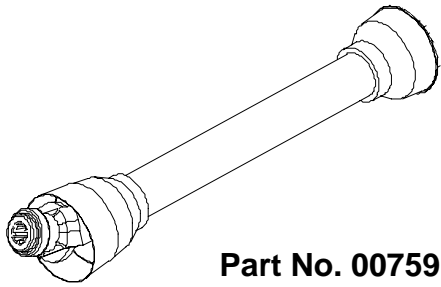


**SE4 – 'A' FRAME ASSEMBLY**

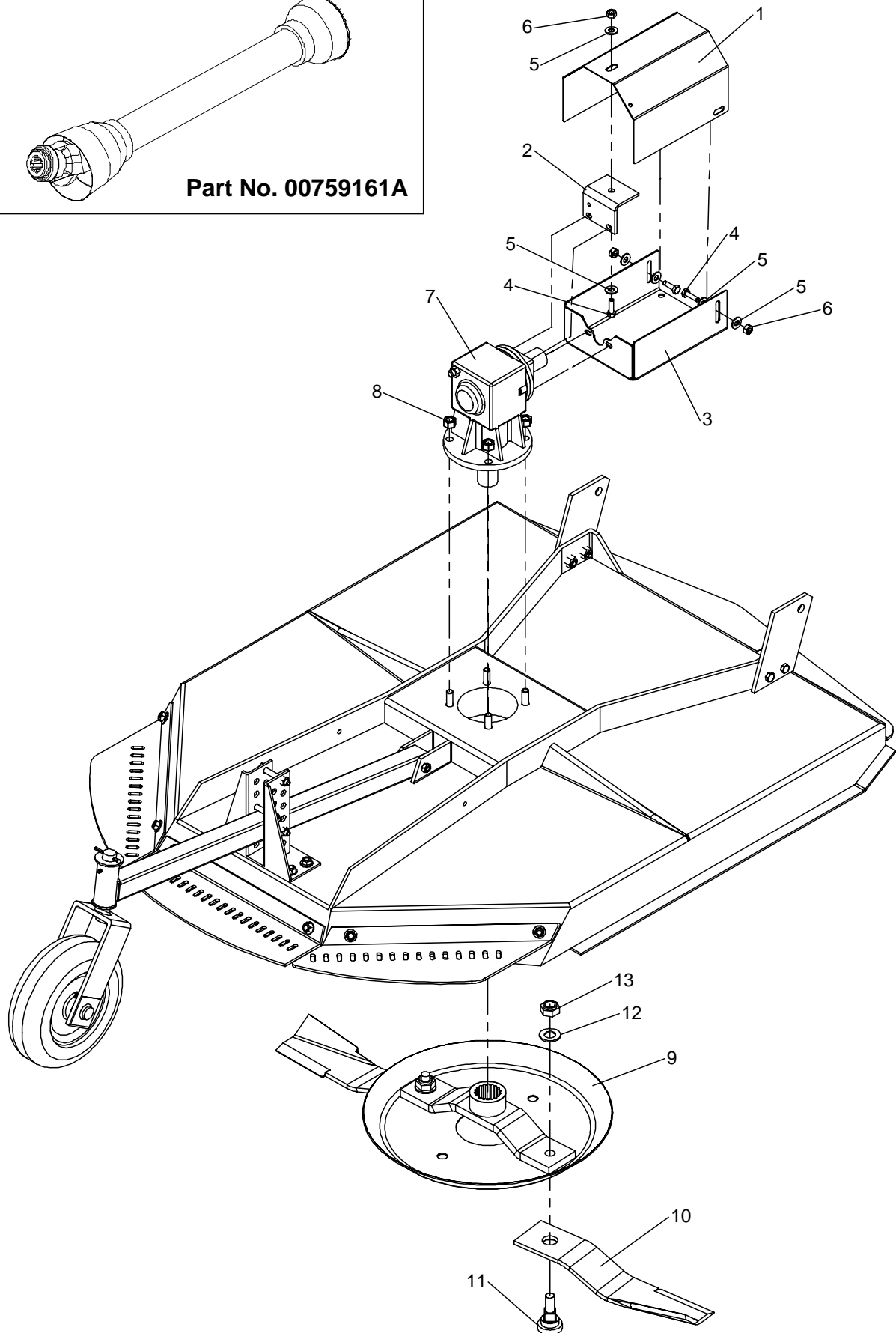
REF.	QTY.	PART No.	DESCRIPTION
1	2	00766505	A-FRAME HALF
2	1	00757949R	TOP LINK
3	2	00773564R	LIFT STRAP
4	1	00766542	BUSHING SPACER
5	1	05.292.47	BOLT
6	1	05.287.05	LOCKNUT
7	1	37107B12	TOP LINK PIN
8	1	05.964.01	SPRING COTTER
9	2	9213066	BOLT
10	2	9143006	LOCKNUT
11	2	00603500	WRIST PIN
12	2	00603600	HEX NUT
13	2	00012200	LOCK WASHER
14	2	0431217	LYNCH PIN
15	4	9213087	HEX BOLT
16	4	9143007	LOCKNUT
17		<i>For transport use only</i>	TRANSPORT STRAP

SE4 - GUARDING & BLADES

SE4 Driveshaft Assembly



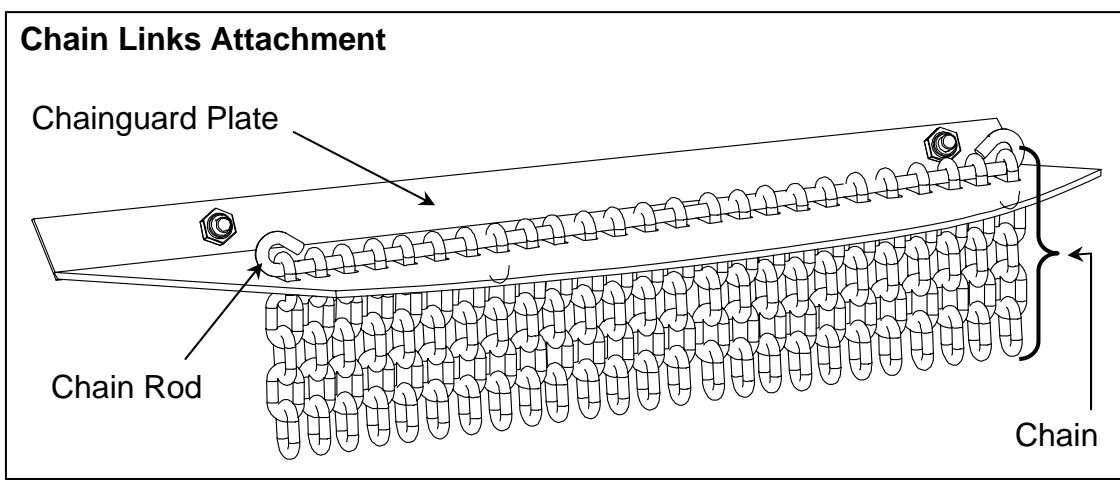
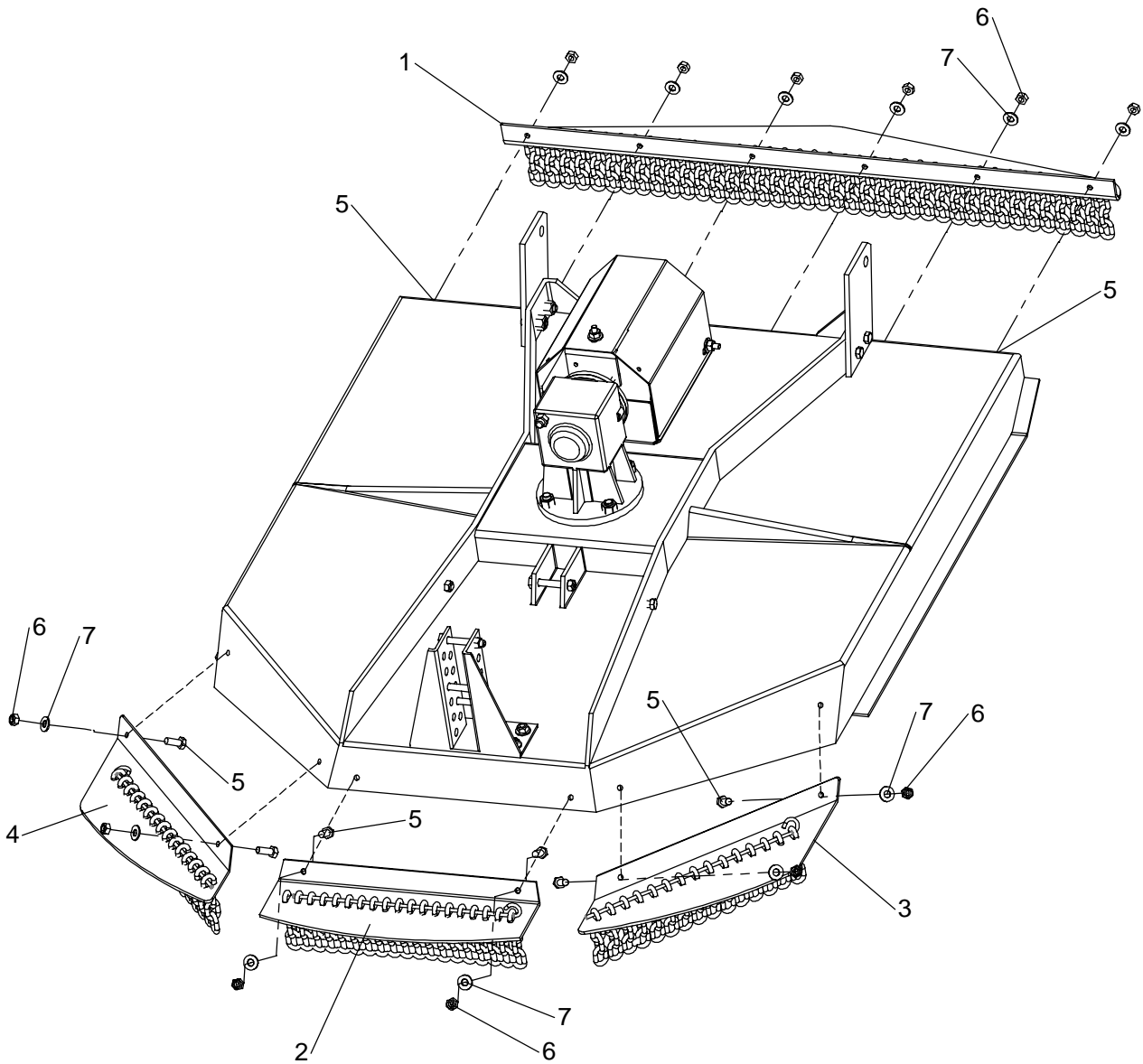
Part No. 00759161A



**SE4 - GUARDING & BLADES**

REF.	QTY.	PART No.	DESCRIPTION
1	1	45641.01	SHIELD
2	1	00772590R	SHIELD BRACKET
3	1	00762985A	LOWER SHIELD TRAY
4	3	9300122	HEX SCREW
5	6	9100106	FLAT WASHER
6	3	9100030	NUT
7	1	00761655	SE4 GEARBOX
8	4	9100028	LOCKNUT
9	1	00766590R	BLADEPAN
10	2	1046008	BLADE
11	2	00761402	BLADE BOLT
12	2	0100108	WASHER
13	2	0141008	LOCKNUT

SE4 - CHAINGUARDS

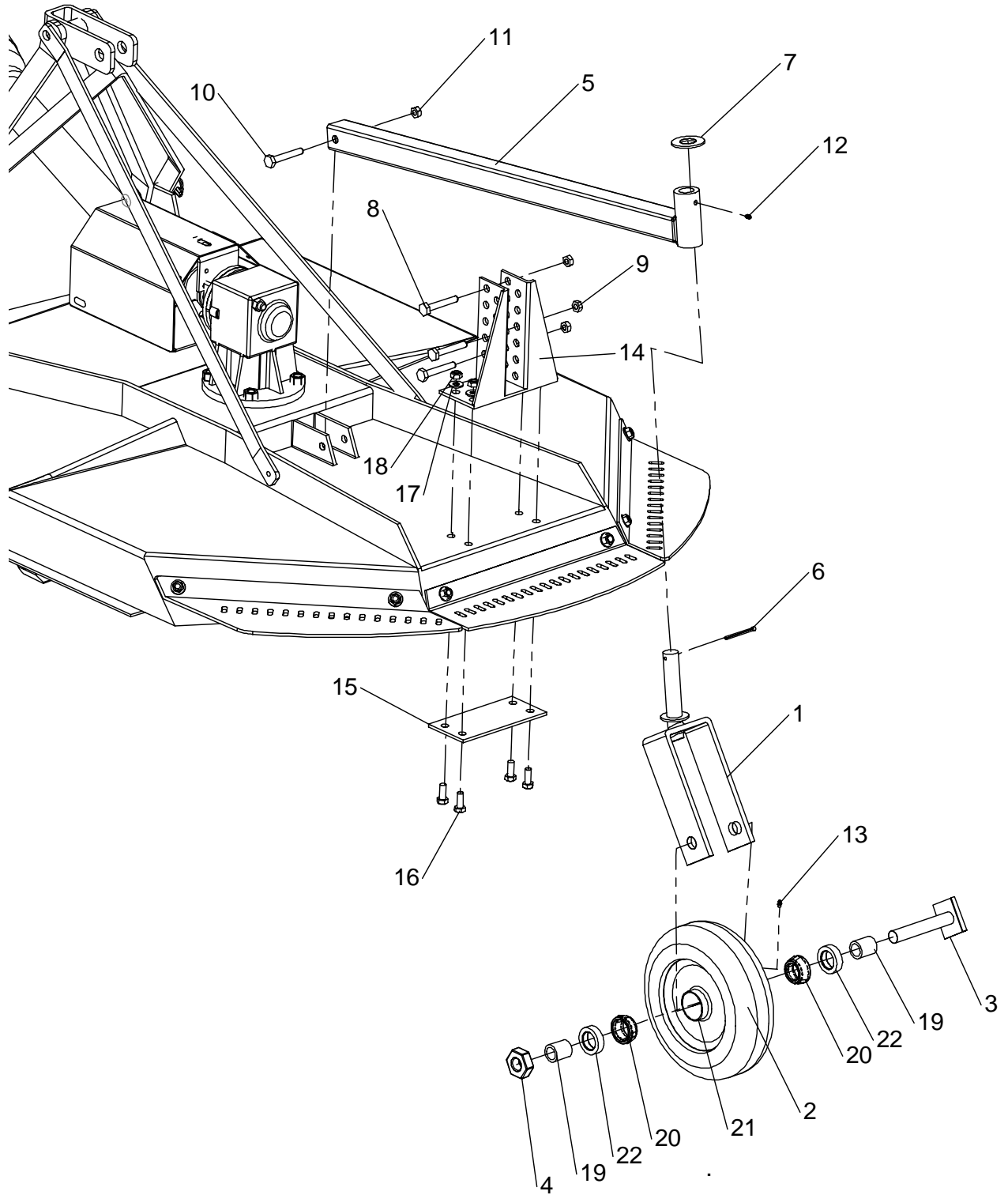


**SE4 - CHAINGUARDS**

REF.	QTY.	PART No.	DESCRIPTION
1	1	45610.04	FRONT CHAINGUARD ASSEMBLY - <i>comprising of:</i>
	1	45610.11	CHAINGUARD
	39	00766577	CHAIN - 4 Link
	1	45610.39	CHAIN ROD
2	1	45610.01	REAR CENTER CHAINGUARD ASSEMBLY - <i>comprising of:</i>
	1	45610.31	BRACKET - CENTER
	19	00766577	CHAIN - 4 Link
	1	45610.38	CHAIN ROD
3	1	45610.02	RIGHT HAND REAR CHAINGUARD ASSEMBLY - <i>comprising of:</i>
	1	45610.32	BRACKET - RIGHT HAND
	15	00766577	CHAIN - 4 Link
	1	45610.37	CHAIN ROD
4	1	45610.03	LEFT HAND REAR CHAINGUARD ASSEMBLY - <i>comprising of:</i>
	1	45610.33	BRACKET - LEFT HAND
	15	00766577	CHAIN - 4 Link
	1	45610.37	CHAIN ROD
5	12	9313066	BOLT
6	12	9143006	LOCKNUT
7	12	9100106	WASHER



SE4 - TAILWHEEL ASSEMBLY



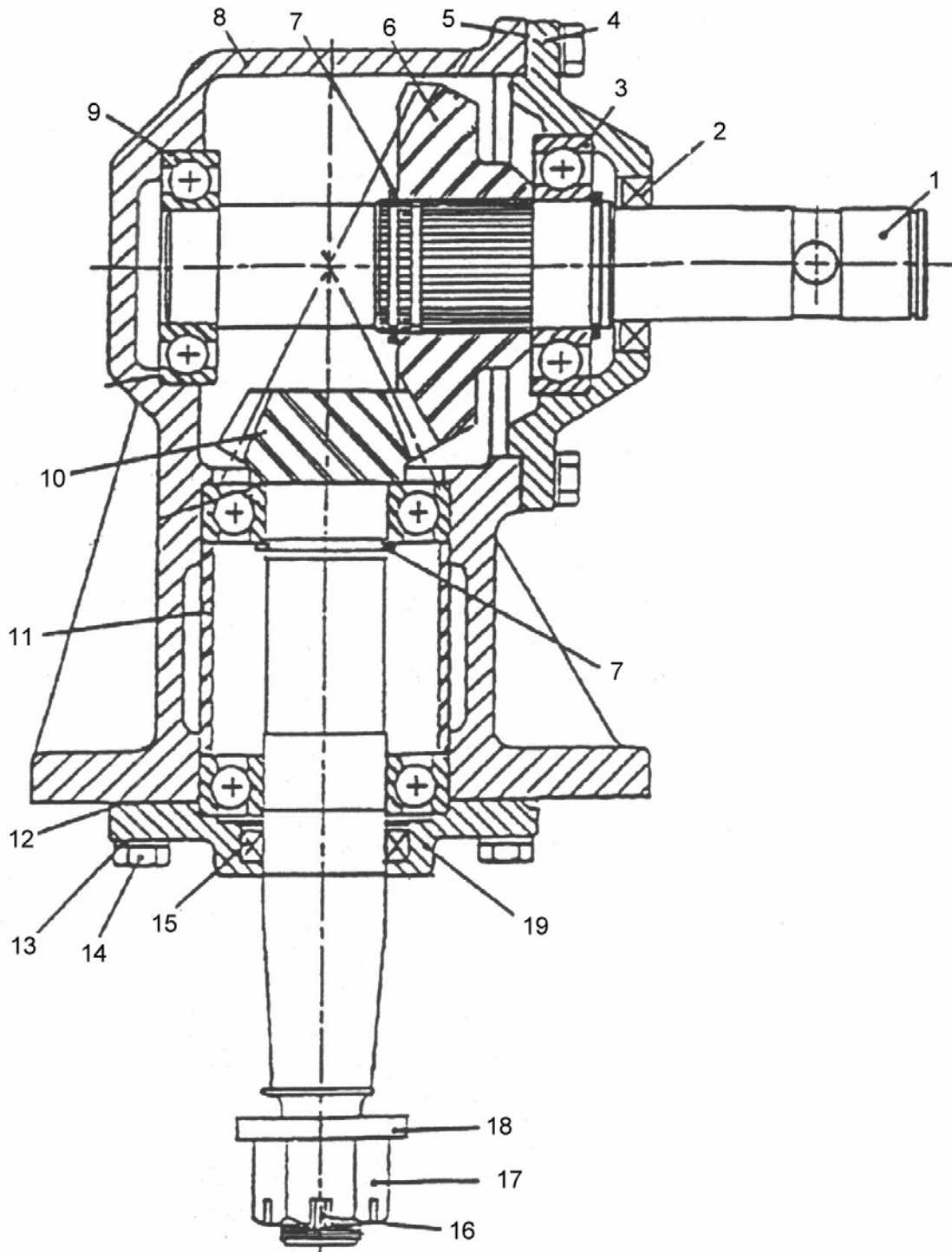

SE4 - TAILWHEEL ASSEMBLY

REF.	QTY.	PART No.	DESCRIPTION
1	1	00773565R	CASTER FORK
2	1	00130010	WHEEL & TYRE ASSEMBLY - inc. Bearings & Seals
3	1	00773566R	SPINDLE BOLT
4	1	9143009	LOCKNUT
5	1	45619.01	TAILWHEEL BEAM
6	1	05.284.27	COTTER PIN
7	1	05.962.07	WASHER
8	3	9213166	BOLT
9	3	9143006	LOCKNUT
10	1	9213187	BOLT
11	1	9143007	LOCKNUT
12	1	05.953.01	GREASE FITTING
13	1	02961453	GREASE FITTING
14	1	00766611	GAUGE WHEEL MOUNT
15	1	00766610	MOUNTING FLAT
16	4	9200016	SETSCREW
17	4	9100020	FLAT WASHER
18	4	9100022	SELF-LOCKING NUT
19	2	00765337	SPACER
20	2	00013701	BEARING CONE
21	2	00750621	BEARING CUP
22	2	00013600	SEAL

} *Supplied together*



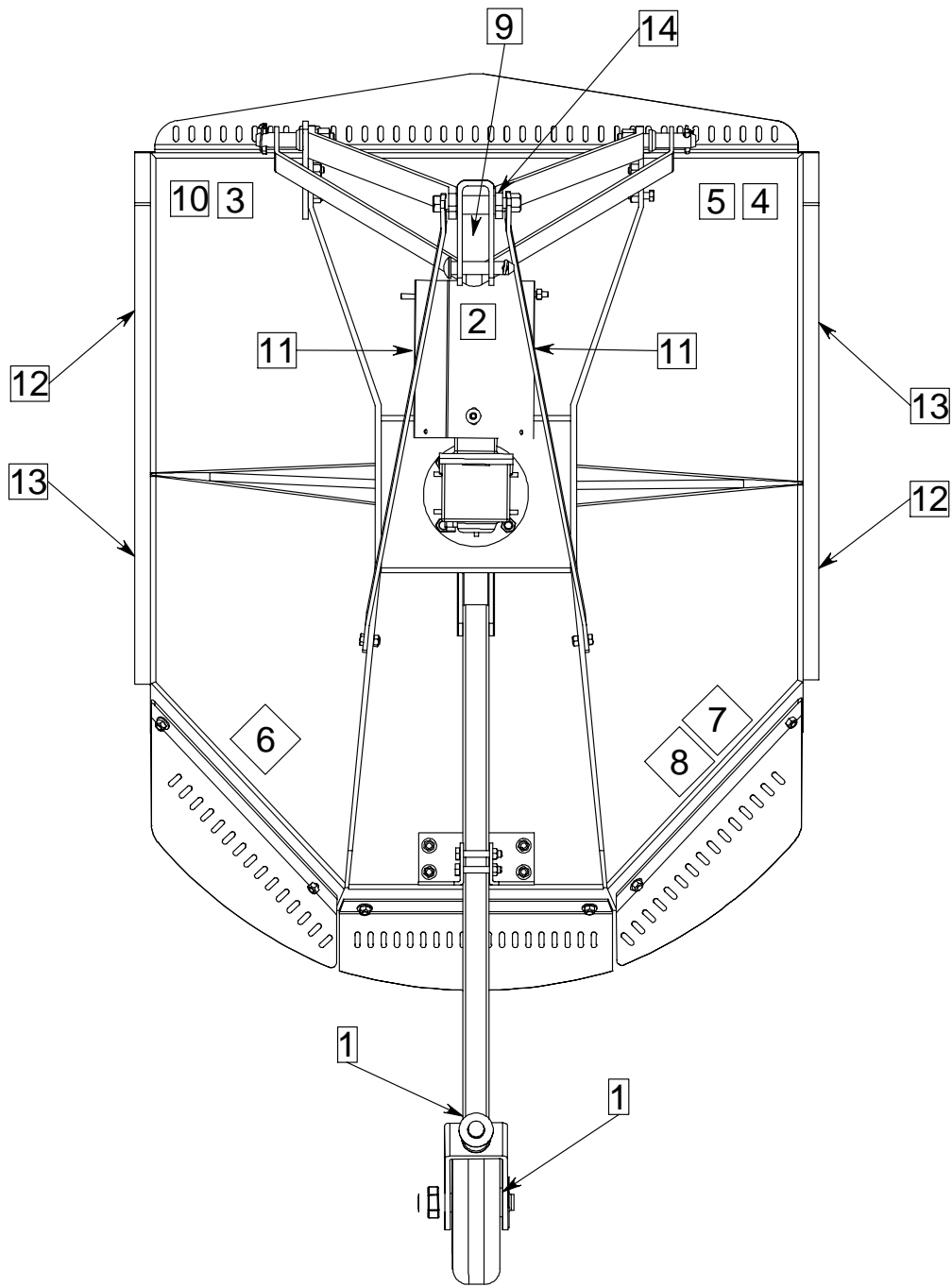
SE4 - GEARBOX ASSEMBLY




SE4 - GEARBOX ASSEMBLY

REF.	QTY.	PART No.	DESCRIPTION
		00761655	SE4 GEARBOX ASSEMBLY
1	1	00752479	INPUT SHAFT
2	1	00564200	SEAL
3	3	00563700	BALL BEARING
4	1	00564300	INPUT CAP
5	<i>as req.</i>	00564400	GASKET
6	1	00752481	INPUT GEAR
7	3	00564100	RETAINING RING
8	1	00563900	HOUSING
9	1	00564800	BEARING
10	1	00752480	OUTPUT PINION & SHAFT
11	1	00757682	BEARING SPACER
12	<i>as req.</i>	00760928	GASKET 0.25
	<i>as req.</i>	00760929	GASKET 0.10
13	10	02161100	LOCKWASHER
14	10	00011400	BOLT
15	1	00563500	SEAL
16	1	00606000	COTTER PIN
17	1	7202	SLOTTED NUT
18	1	6192	WASHER
19	1	00757683	OUTPUT CAP

SE4 - DECALS



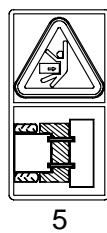
1



2



3



4



5



6



7



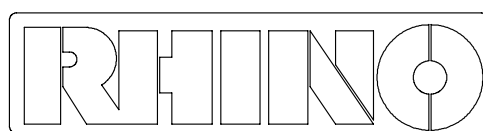
8



9



11



12



13



14

**SE4 - DECALS**

REF.	QTY.	PART No.	DESCRIPTION
1	2	09.810.03	DECAL - GREASE 100 hrs
2	1	09.811.04	DECAL - PTO SPEED 540 rpm
3	1	09.821.10	DECAL - KEEP NUTS TIGHT
4	1	09.821.15	DECAL - READ INSTRUCTION MANUAL
5	1	09.821.16	DECAL - KEEP OUT ZONE
6	1	09.821.17	DECAL - UNSUPPORTED MACHINE
7	1	09.821.18	DECAL - THROWN DEBRIS
8	1	09.821.19	DECAL - ROTARY HEAD DANGER
9	1	09.821.20	DECAL - SHAFT ENTANGLEMENT
10	1	09.821.22	DECAL - UNBLOCK HEAD (ROTARY)
11	2	D302	DECAL - RHINO
12	2	D303	DECAL - RHINO
13	2	0911000010	DECAL - SE4
14	2	09.843.03	DECAL - LIFT POINT 500kg

