

Publication No. 422
July 2002
Part No. 41570.22

SE 4,5,6 & 7 **ROTARY MOWERS**



Parts Manual

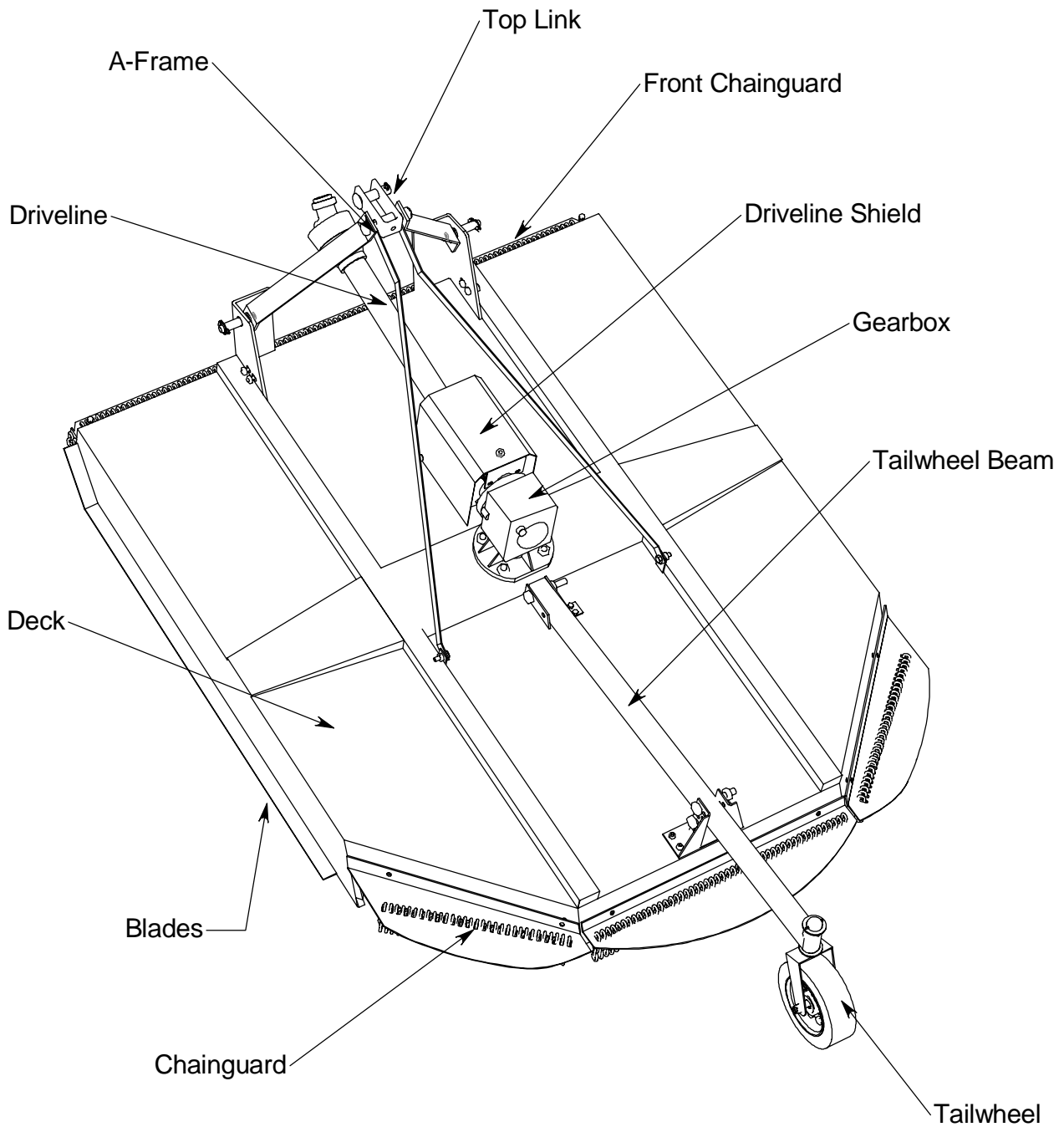


List of Contents

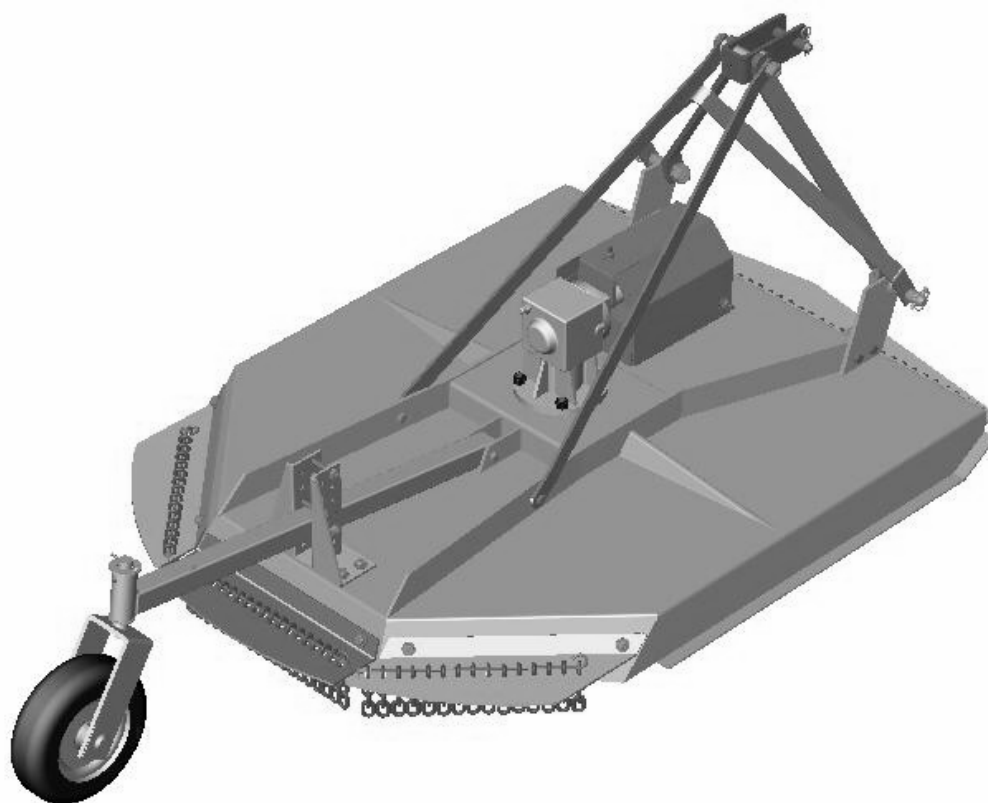
	<i>Page No.</i>
General Information	
Component Location	2
SE4 Mower	3
SE4 'A' Frame Assembly	4
SE4 Guarding & Blades Assembly	6
SE4 Chainguard Assembly	8
SE4 Tailwheel Assembly	10
SE4 Gearbox Assembly	12
SE4 Decals	14
SE5 & SE6 Mower	17
SE5 & SE6 'A' Frame Assembly	18
SE5 & SE6 Guarding & Blades Assembly	20
SE5 & SE6 Chainguard Assembly	22
SE5 & SE6 Tailwheel Assembly	24
SE5 & SE6 Gearbox Assembly	26
SE5 & SE6 Slipclutch Assembly	28
SE5 & SE6 Decals	30
SE7 Mower	33
SE7 'A' Frame Assembly	34
SE7 Guarding & Blades Assembly	36
SE7 Chainguard Assembly	38
SE7 Tailwheel Assembly	40
SE7 Gearbox Assembly	42
SE7 Slipclutch Assembly	44
SE7 Decals	46



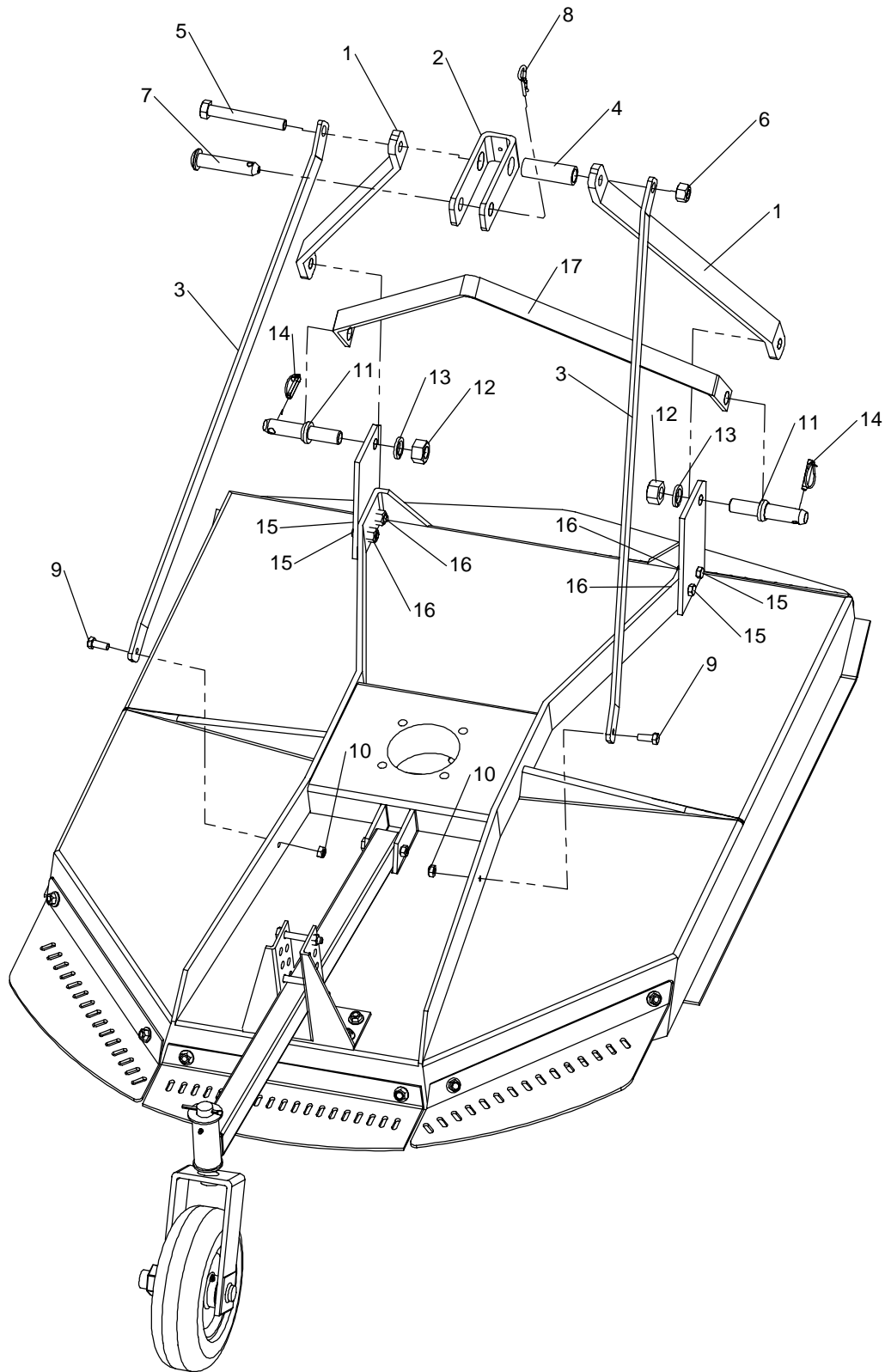
COMPONENT LOCATION



SE4



SE4 - 'A' FRAME ASSEMBLY

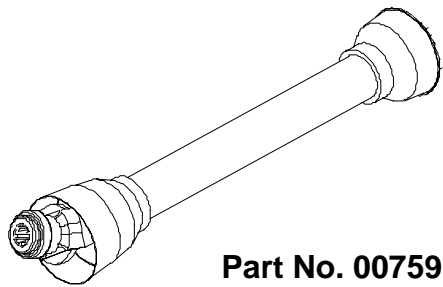


**SE4 – 'A' FRAME ASSEMBLY**

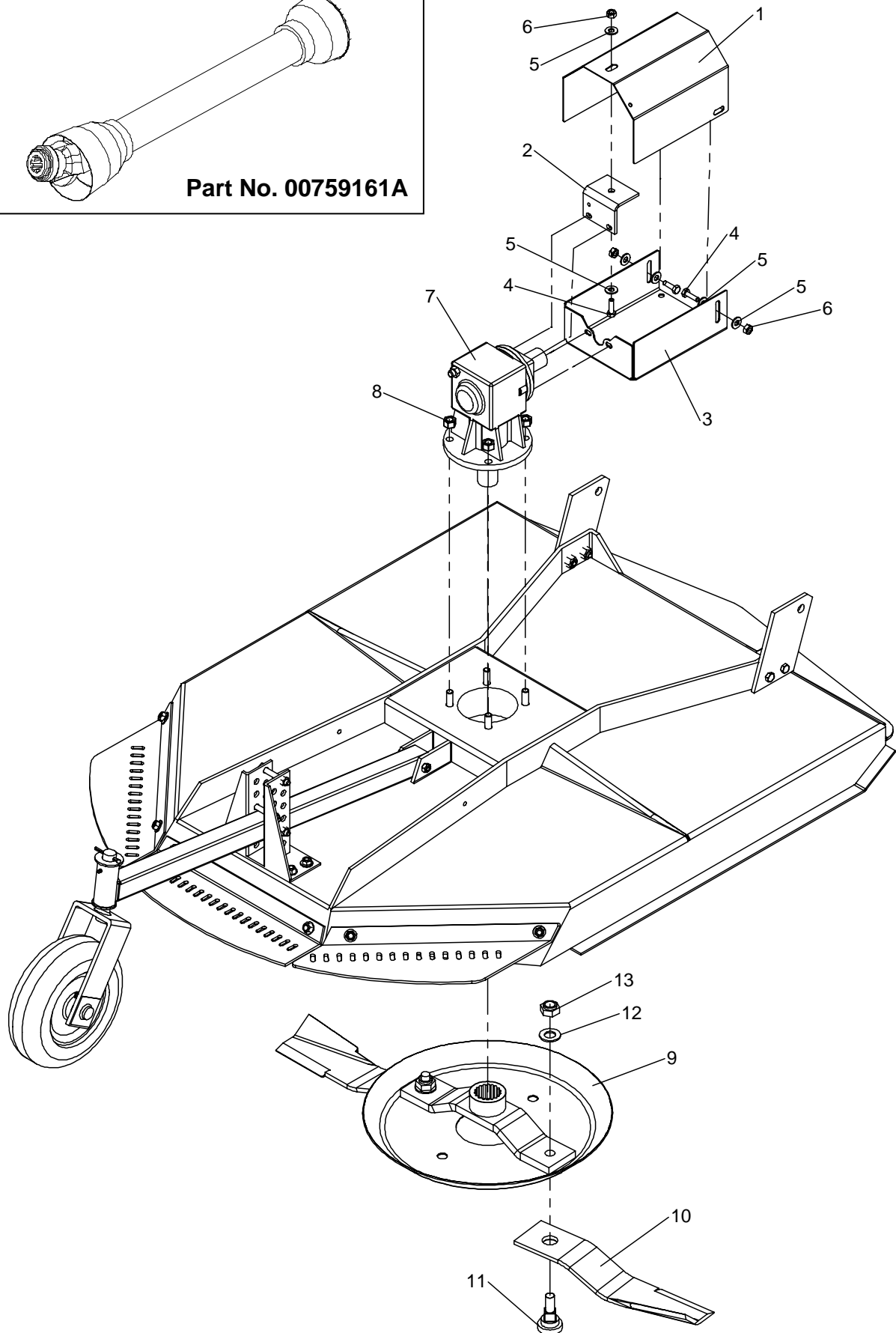
REF.	QTY.	PART No.	DESCRIPTION
1	2	00766505	A-FRAME HALF
2	1	00757949R	TOP LINK
3	2	00773564R	LIFT STRAP
4	1	00766542	BUSHING SPACER
5	1	05.292.47	BOLT
6	1	05.287.05	LOCKNUT
7	1	37107B12	TOP LINK PIN
8	1	05.964.01	SPRING COTTER
9	2	9213066	BOLT
10	2	9143006	LOCKNUT
11	2	00603500	WRIST PIN
12	2	00603600	HEX NUT
13	2	00012200	LOCK WASHER
14	2	0431217	LYNCH PIN
15	4	9213087	HEX BOLT
16	4	9143007	LOCKNUT
17		<i>For transport use only</i>	TRANSPORT STRAP

SE4 - GUARDING & BLADES

SE4 Driveshaft Assembly



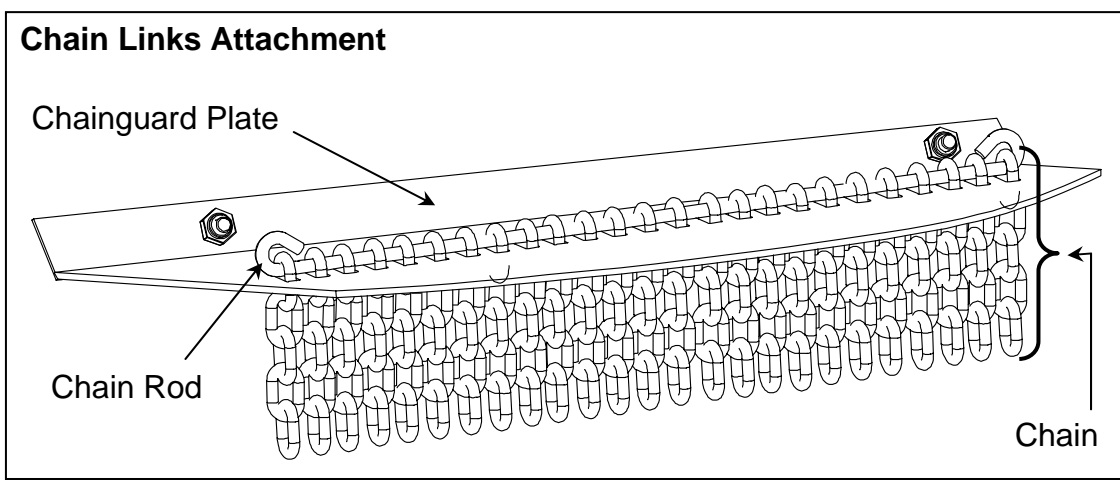
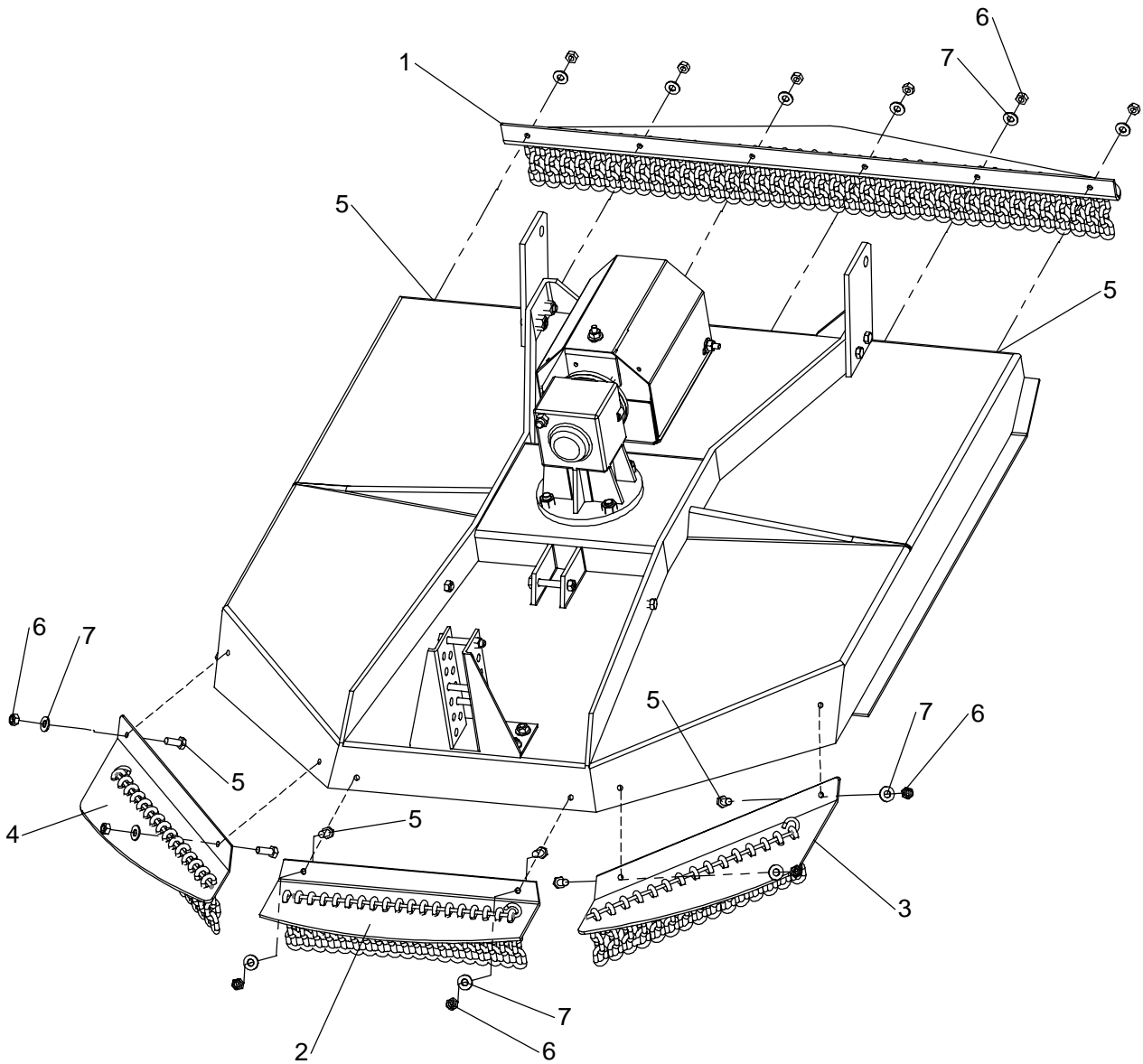
Part No. 00759161A



**SE4 - GUARDING & BLADES**

REF.	QTY.	PART No.	DESCRIPTION
1	1	45641.01	SHIELD
2	1	00772590R	SHIELD BRACKET
3	1	00762985A	LOWER SHIELD TRAY
4	3	9300122	HEX SCREW
5	6	9100106	FLAT WASHER
6	3	9100030	NUT
7	1	00761655	SE4 GEARBOX
8	4	9100028	LOCKNUT
9	1	00766590R	BLADEPAN
10	2	1046008	BLADE
11	2	00761402	BLADE BOLT
12	2	0100108	WASHER
13	2	0141008	LOCKNUT

SE4 - CHAINGUARDS

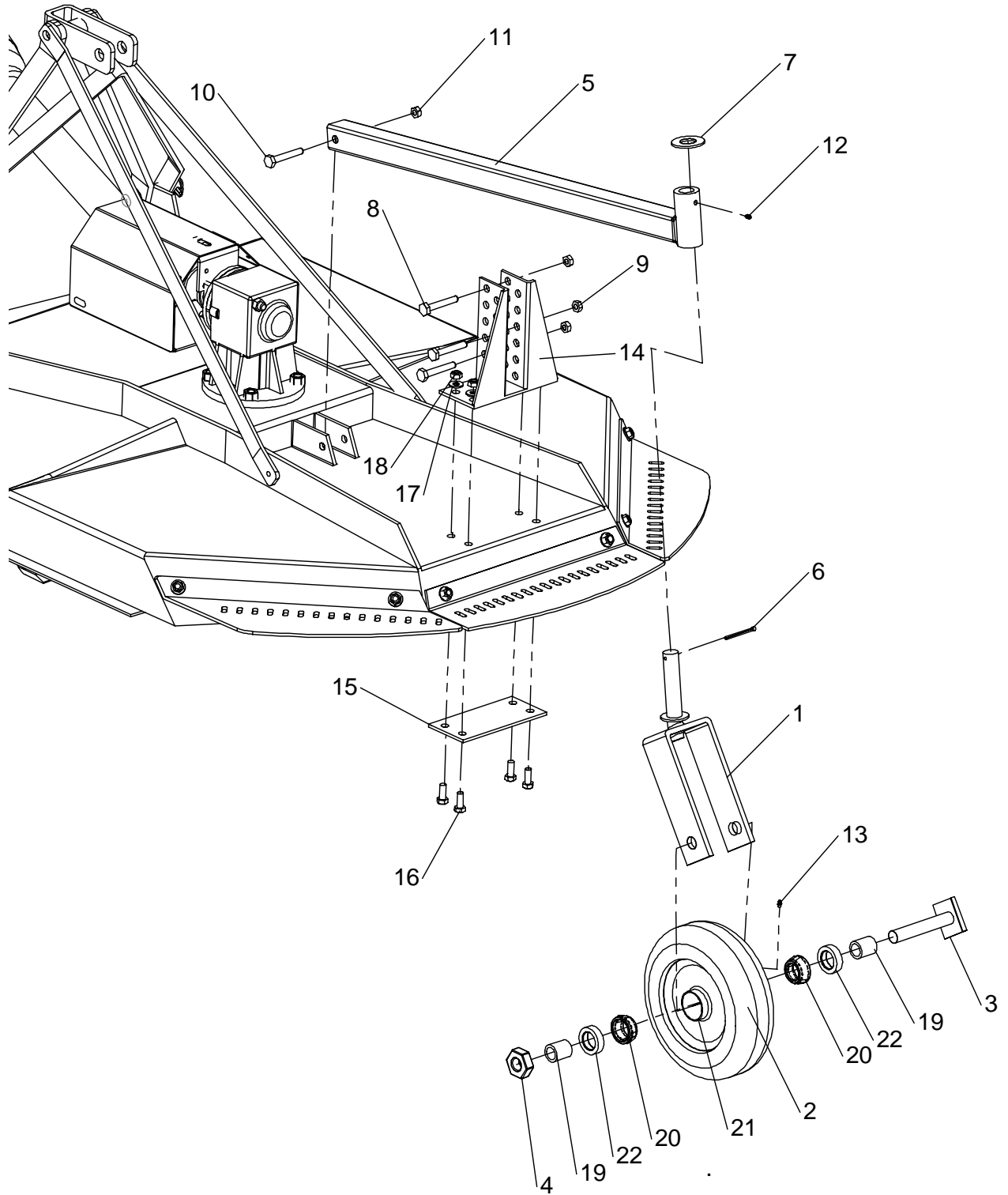


**SE4 - CHAINGUARDS**

REF.	QTY.	PART No.	DESCRIPTION
1	1	45610.04	FRONT CHAINGUARD ASSEMBLY - <i>comprising of:</i>
	1	45610.11	CHAINGUARD
	39	00766577	CHAIN - 4 Link
	1	45610.39	CHAIN ROD
2	1	45610.01	REAR CENTER CHAINGUARD ASSEMBLY - <i>comprising of:</i>
	1	45610.31	BRACKET - CENTER
	19	00766577	CHAIN - 4 Link
	1	45610.38	CHAIN ROD
3	1	45610.02	RIGHT HAND REAR CHAINGUARD ASSEMBLY - <i>comprising of:</i>
	1	45610.32	BRACKET - RIGHT HAND
	15	00766577	CHAIN - 4 Link
	1	45610.37	CHAIN ROD
4	1	45610.03	LEFT HAND REAR CHAINGUARD ASSEMBLY - <i>comprising of:</i>
	1	45610.33	BRACKET - LEFT HAND
	15	00766577	CHAIN - 4 Link
	1	45610.37	CHAIN ROD
5	12	9313066	BOLT
6	12	9143006	LOCKNUT
7	12	9100106	WASHER



SE4 - TAILWHEEL ASSEMBLY



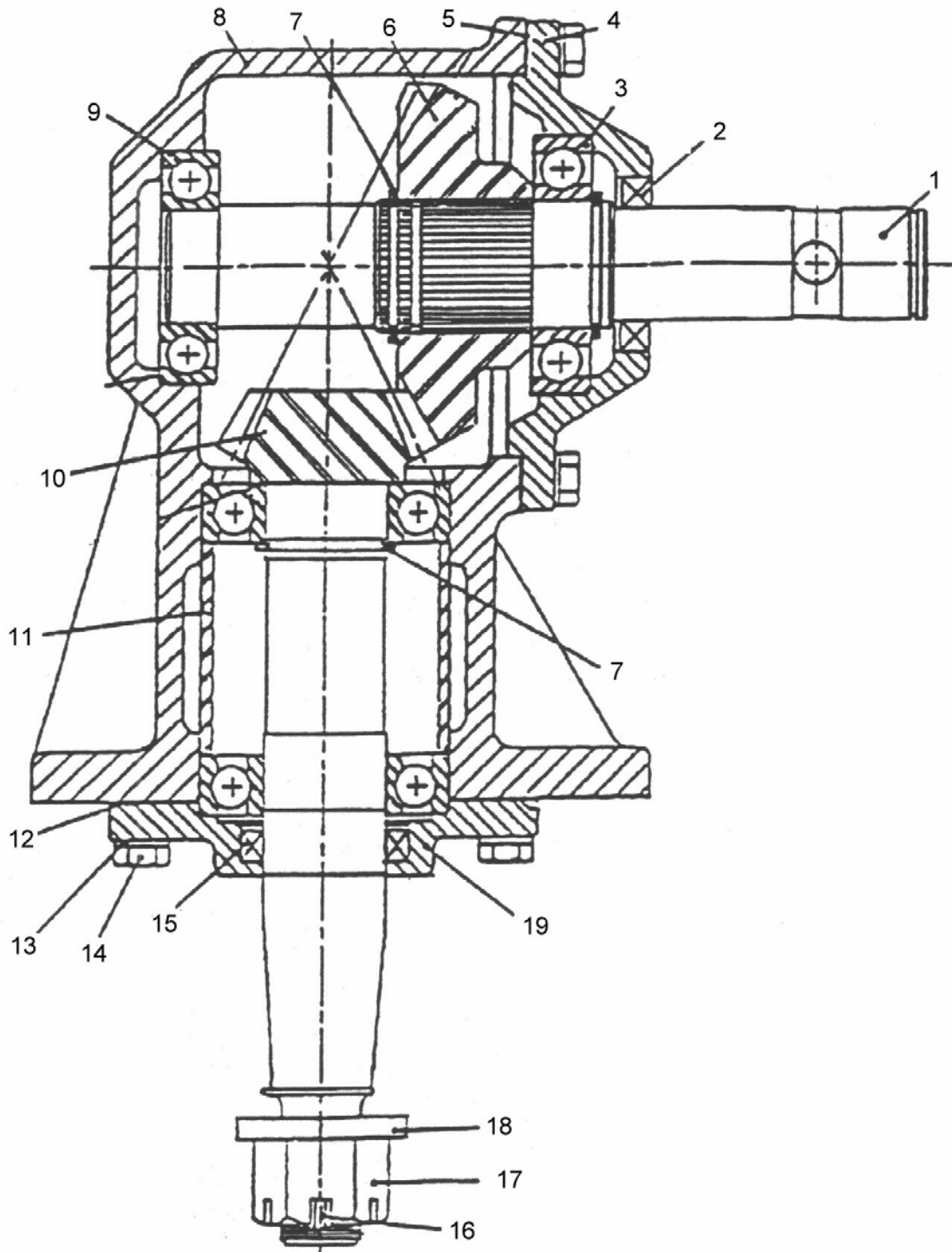

SE4 - TAILWHEEL ASSEMBLY

REF.	QTY.	PART No.	DESCRIPTION
1	1	00773565R	CASTER FORK
2	1	00130010	WHEEL & TYRE ASSEMBLY - inc. Bearings & Seals
3	1	00773566R	SPINDLE BOLT
4	1	9143009	LOCKNUT
5	1	45619.01	TAILWHEEL BEAM
6	1	05.284.27	COTTER PIN
7	1	05.962.07	WASHER
8	3	9213166	BOLT
9	3	9143006	LOCKNUT
10	1	9213187	BOLT
11	1	9143007	LOCKNUT
12	1	05.953.01	GREASE FITTING
13	1	02961453	GREASE FITTING
14	1	00766611	GAUGE WHEEL MOUNT
15	1	00766610	MOUNTING FLAT
16	4	9200016	SETSCREW
17	4	9100020	FLAT WASHER
18	4	9100022	SELF-LOCKING NUT
19	2	00765337	SPACER
20	2	00013701	BEARING CONE
21	2	00750621	BEARING CUP
22	2	00013600	SEAL

} *Supplied together*



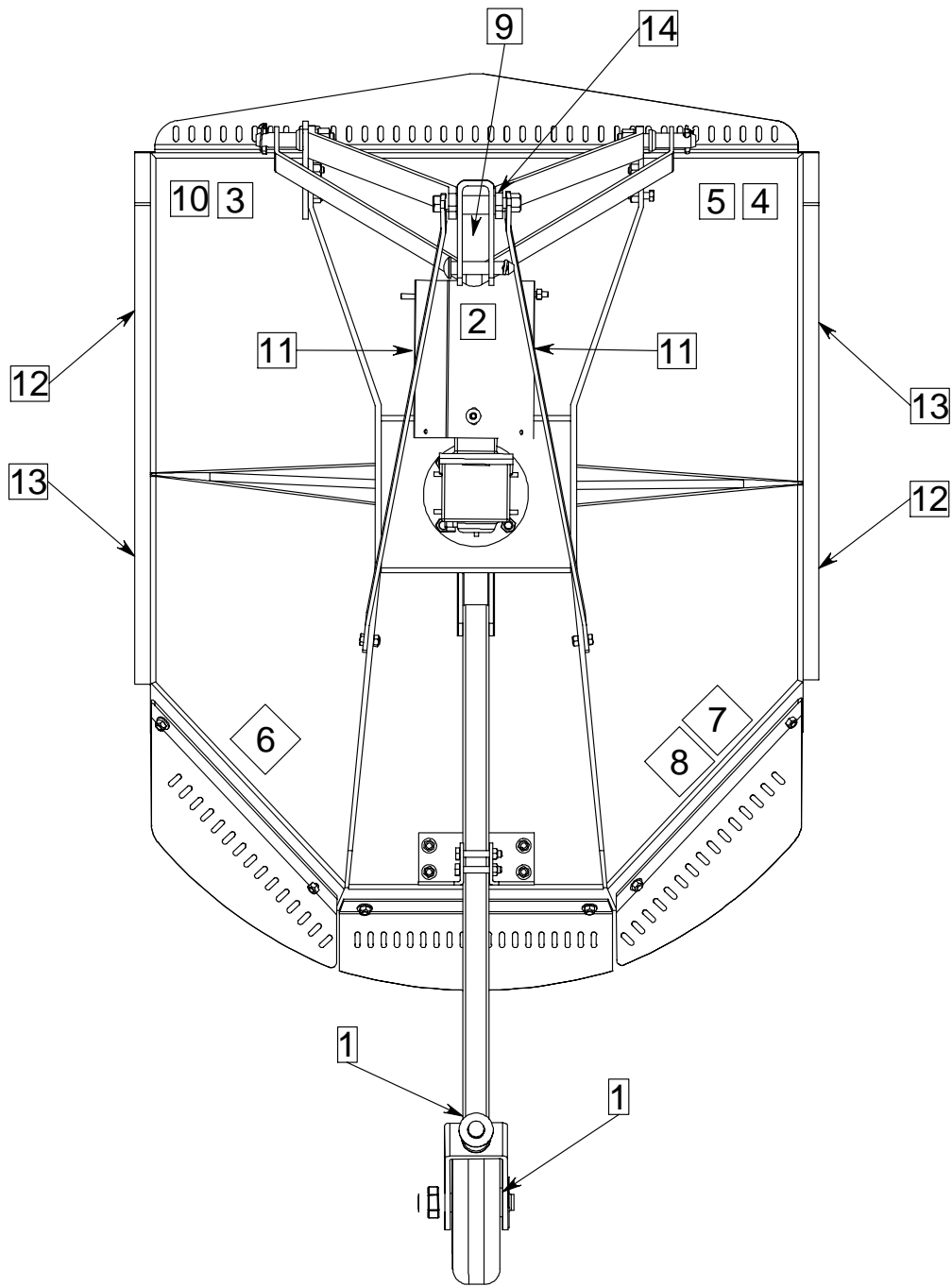
SE4 - GEARBOX ASSEMBLY




SE4 - GEARBOX ASSEMBLY

REF.	QTY.	PART No.	DESCRIPTION
		00761655	SE4 GEARBOX ASSEMBLY
1	1	00752479	INPUT SHAFT
2	1	00564200	SEAL
3	3	00563700	BALL BEARING
4	1	00564300	INPUT CAP
5	<i>as req.</i>	00564400	GASKET
6	1	00752481	INPUT GEAR
7	3	00564100	RETAINING RING
8	1	00563900	HOUSING
9	1	00564800	BEARING
10	1	00752480	OUTPUT PINION & SHAFT
11	1	00757682	BEARING SPACER
12	<i>as req.</i>	00760928	GASKET 0.25
	<i>as req.</i>	00760929	GASKET 0.10
13	10	02161100	LOCKWASHER
14	10	00011400	BOLT
15	1	00563500	SEAL
16	1	00606000	COTTER PIN
17	1	7202	SLOTTED NUT
18	1	6192	WASHER
19	1	00757683	OUTPUT CAP

SE4 - DECALS



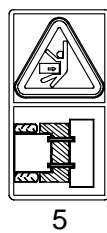
1



2



3



4



5



6



7



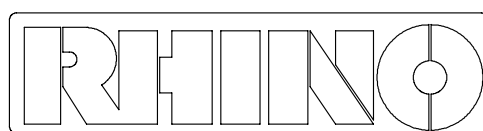
8



9



11



12



13

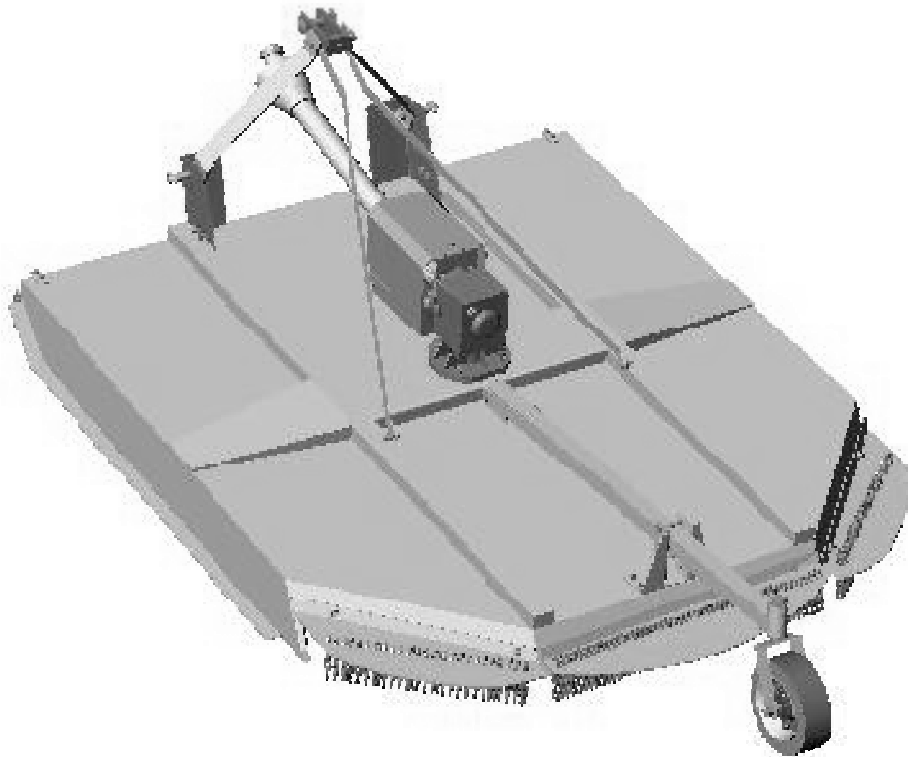


14

**SE4 - DECALS**

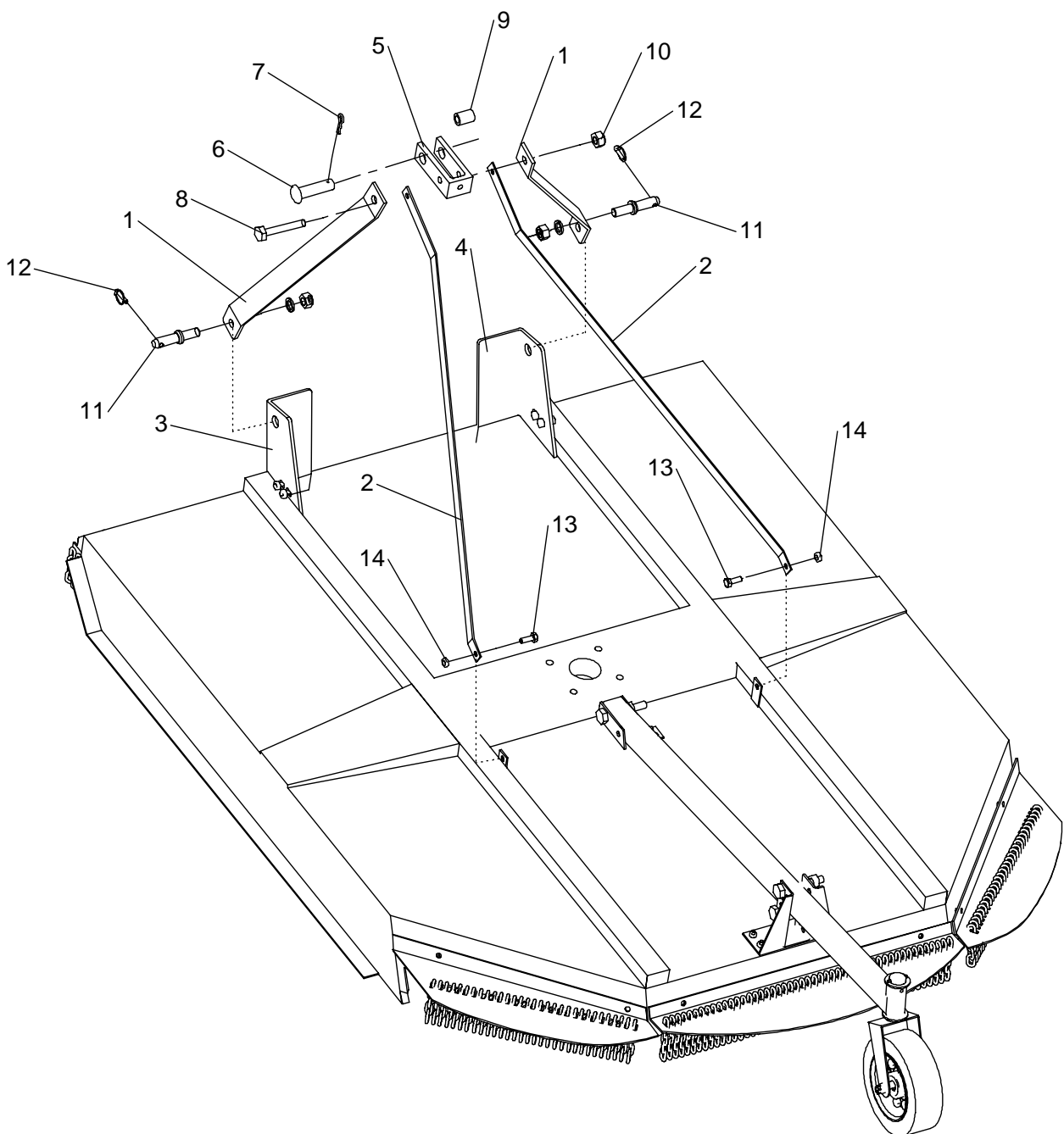
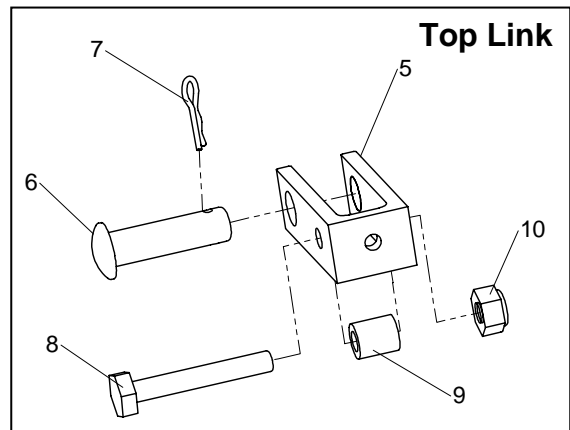
REF.	QTY.	PART No.	DESCRIPTION
1	2	09.810.03	DECAL - GREASE 100 hrs
2	1	09.811.04	DECAL - PTO SPEED 540 rpm
3	1	09.821.10	DECAL - KEEP NUTS TIGHT
4	1	09.821.15	DECAL - READ INSTRUCTION MANUAL
5	1	09.821.16	DECAL - KEEP OUT ZONE
6	1	09.821.17	DECAL - UNSUPPORTED MACHINE
7	1	09.821.18	DECAL - THROWN DEBRIS
8	1	09.821.19	DECAL - ROTARY HEAD DANGER
9	1	09.821.20	DECAL - SHAFT ENTANGLEMENT
10	1	09.821.22	DECAL - UNBLOCK HEAD (ROTARY)
11	2	D302	DECAL - RHINO
12	2	D303	DECAL - RHINO
13	2	0911000010	DECAL - SE4
14	2	09.843.03	DECAL - LIFT POINT 500kg

SE5 & SE6





SE5/6 - 'A' FRAME ASSEMBLY



**SE5/6 - 'A' FRAME ASSEMBLY**

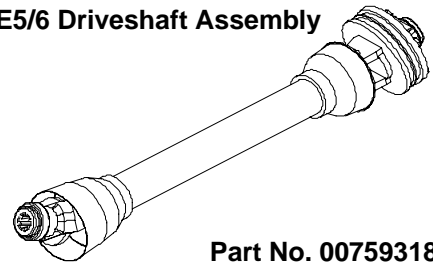
REF.	QTY.	PART No.	DESCRIPTION
			SE 5 ROTARY MOWER
1	2	00766505	BAR A-FRAME HALF
2	2	00766506	BAR LIFT STRAP
3	1	00766586	PLATE HITCH EAR L/H
4	1	00766587	PLATE HITCH EAR R/H
5	1	00766540	TOP LINK
6	1	37107B12	TOP LINK PIN
7	1	05.964.01	SPRING COTTER
8	1	05.292.47	HEX BOLT
9	1	00766542	BUSHING (A-FRAME)
10	1	05.287.05	SELF LOCKING NUT
11	2	00603500	WRIST PIN - inc. Nut & Washer
12	2	0431217	LINCH PIN
13	2	9313086	SETSCREW - PLATED
14	2	9143006	SELF-LOCKING NUT - PLATED

REF.	QTY.	PART No.	DESCRIPTION
			SE 6 ROTARY MOWER
1	2	00766595	BAR A-FRAME HALF
2	2	00766591	BAR LIFT STRAP
3	1	00766586	PLATE HITCH EAR L/H
4	1	00766587	PLATE HITCH EAR R/H
5	1	00766540	TOP LINK
6	1	37107B12	TOP LINK PIN
7	1	05.964.01	SPRING COTTER
8	1	05.292.47	HEX BOLT
9	1	00766542	BUSHING (A-FRAME)
10	1	05.287.05	SELF LOCKING NUT
11	2	00603500	WRIST PIN - inc. Nut & Washer
12	2	0431217	LINCH PIN
13	2	9313086	SETSCREW - PLATED
14	2	9143006	SELF-LOCKING NUT - PLATED

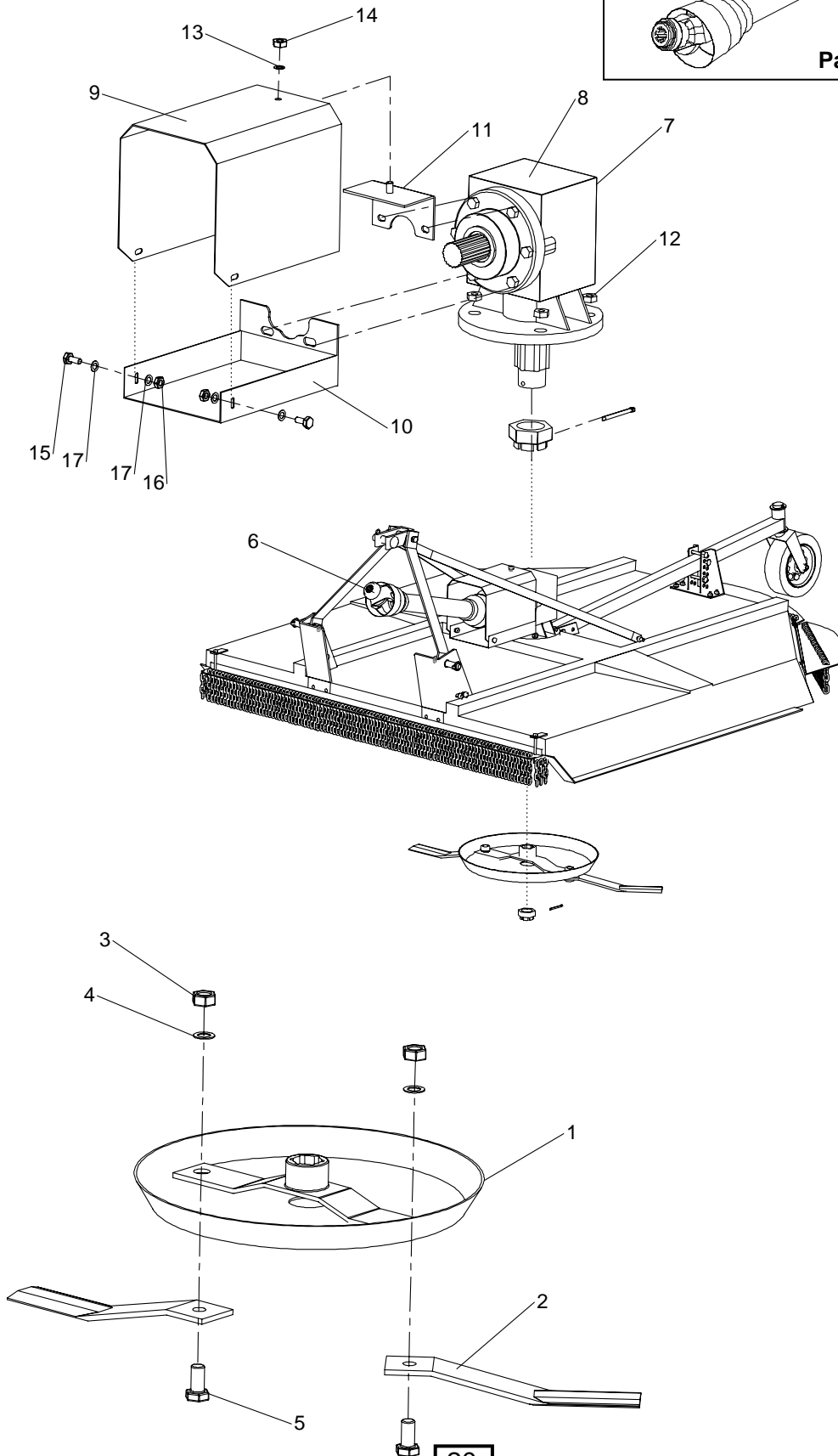


SE5/6 - GUARDING & BLADES

SE5/6 Driveshaft Assembly



Part No. 00759318

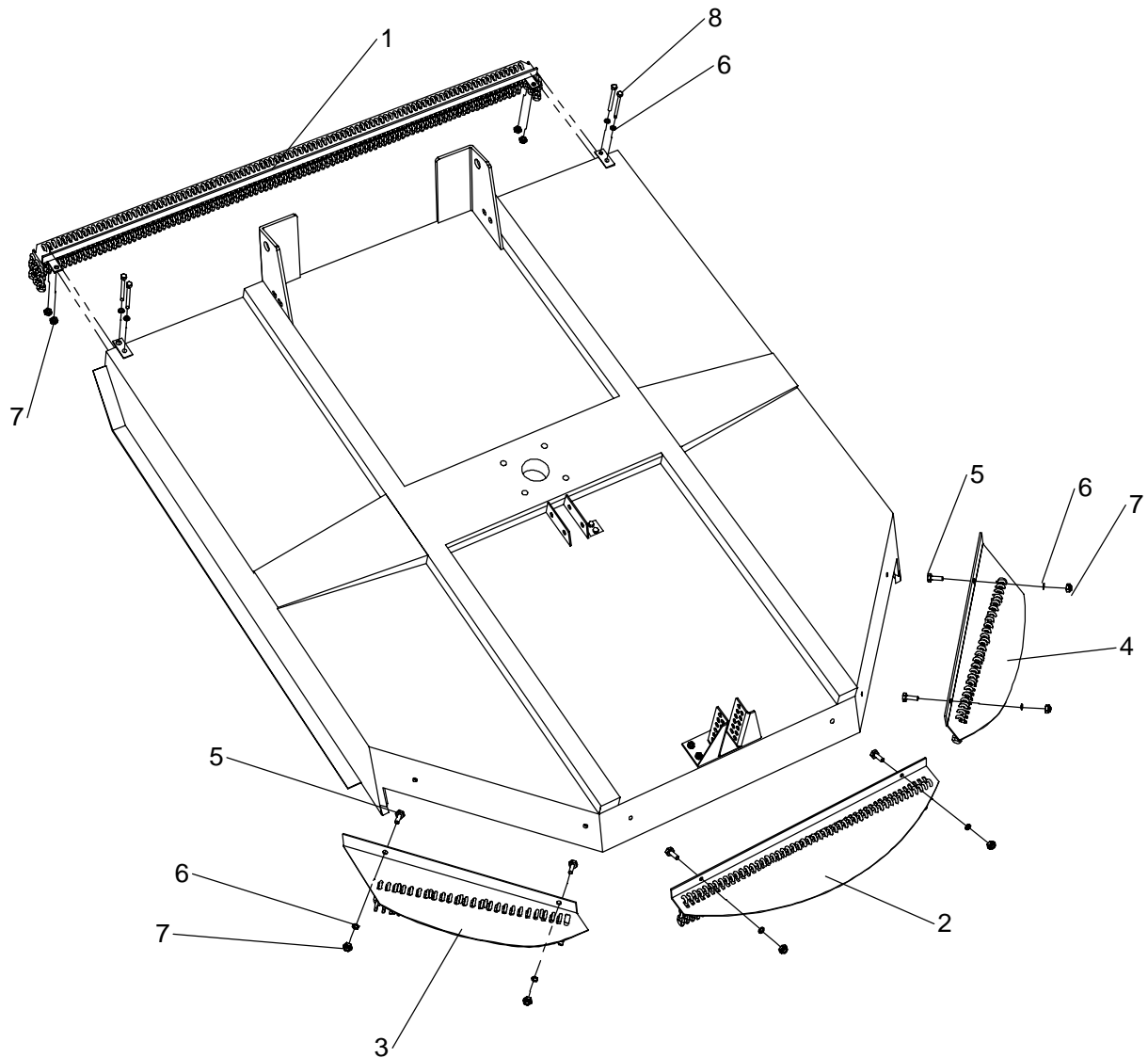


**SE5/6 - GUARDING & BLADES**

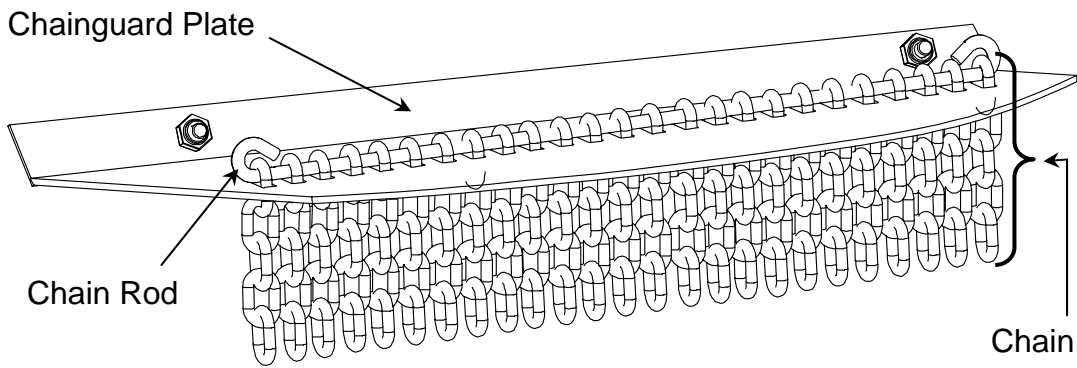
REF.	QTY.	PART No.	DESCRIPTION
1	1	00766590	BLADE PAN - SE 5 models
	1	00770064	BLADE PAN - SE 6 models
2	2	00764665	BLADE - SE 5 models
	2	1046006	BLADE - SE 6 models
3	2	00761402	BOLT
4	2	00761535	WASHER
5	2	0141008	NUT 7/8" UNF AERO STANDARD
6	1	00759318	PTO SHAFT
7	1	00758654	GEARBOX BREATHER 1/2" BSP
8	1	0711050100	GEARBOX inc. SLOTTED NUT & SPLIT PIN
9	1	45641.01	PLATE SHIELD
10	1	00762985A	PLATE BRACKET BOTTOM
11	1	45641.12	HOOD BRACKET
12	4	9100028	LOCKNUT
13	1	9100006	FLAT WASHER 12mm PLATED
14	1	9143006	SELF-LOCKING NUT M12 PLATED
15	2	9300122	HEXAGON SCREW
16	2	9100030	NUT
17	4	9100106	WASHER



SE5/6 - CHAINGUARDS



Chain Links Attachment

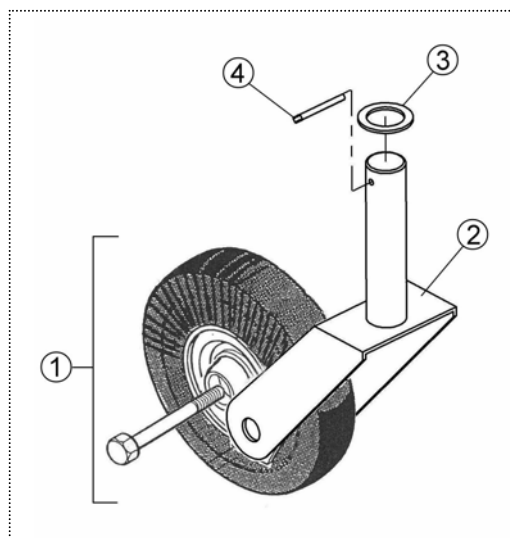
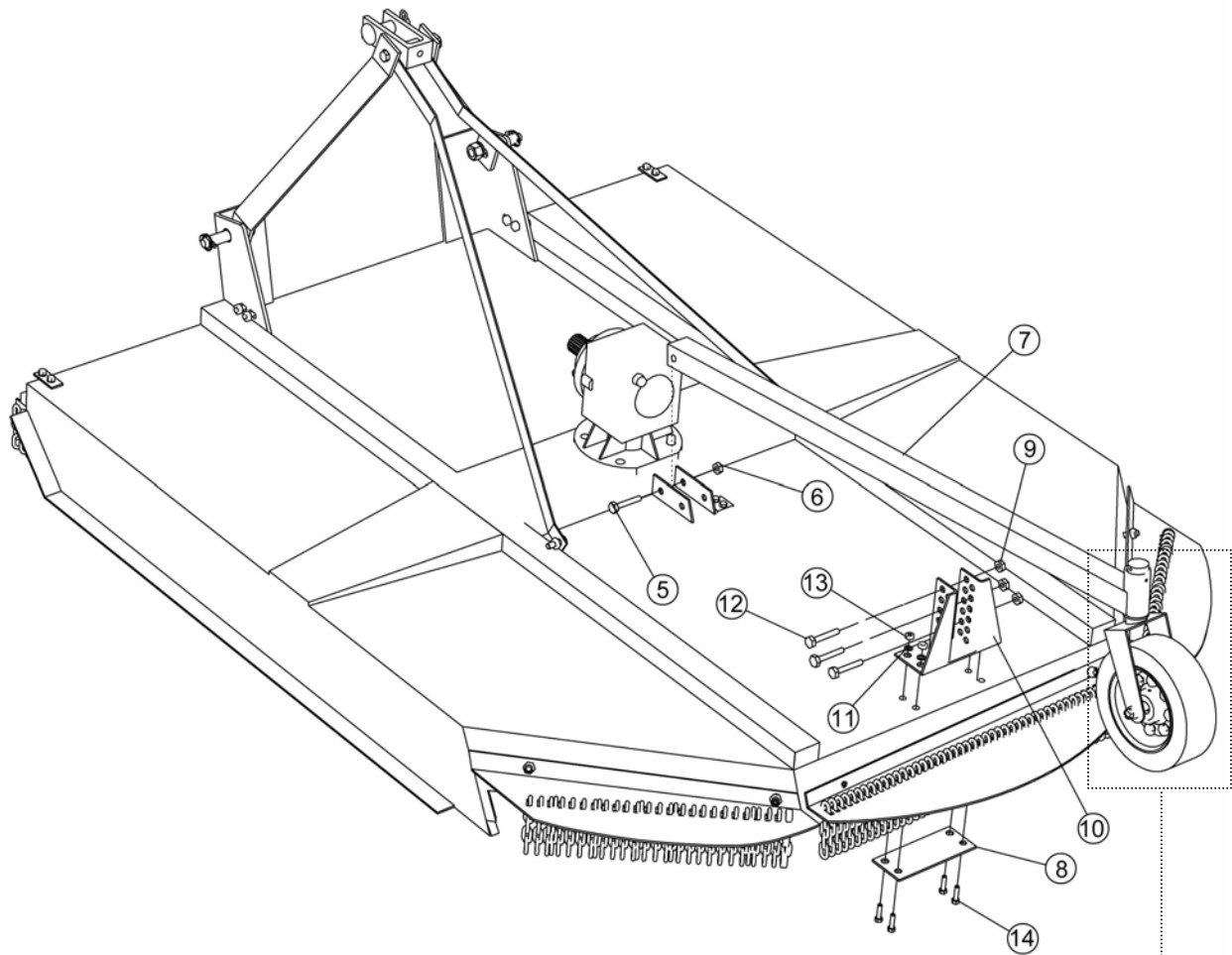



SE5/6 - CHAINGUARDS

REF.	QTY.	PART No.	DESCRIPTION
1	1	00766575	SE5 CHAINGUARD ASSEMBLY - FRONT - <i>comprising of:</i>
	1	00766538	CHAINGUARD PLATE
	51	00766578	CHAIN - 5 Links
	1	00766534	CHAIN ROD
	1	00766539	SE6 CHAINGUARD ASSEMBLY - FRONT - <i>comprising of:</i>
	1	00766538	CHAINGUARD PLATE
61	1	00766578	CHAIN - 5 Links
	1	0652100202	CHAIN ROD
	1	00766560	SE5 CHAINGUARD ASSEMBLY - REAR CENTRE - <i>comprising of:</i>
2	1	00766561	CHAINGUARD PLATE
	24	00766578	CHAIN - 5 Links
	1	0652100102	CHAIN ROD
	1	00766529	SE6 CHAINGUARD ASSEMBLY - REAR CENTRE - <i>comprising of:</i>
1	1	00766530	CHAINGUARD PLATE
	28	00766578	CHAIN - 5 Links
	1	00766531	CHAIN ROD
	1	00766567	SE5 CHAINGUARD ASSEMBLY - REAR L/H - <i>comprising of:</i>
3	1	00766568	CHAINGUARD PLATE
	20	00766578	CHAIN - 5 Links
	1	00766565	CHAIN ROD
	1	00766527	SE6 CHAINGUARD ASSEMBLY - REAR L/H - <i>comprising of:</i>
	1	00766528	CHAINGUARD PLATE
23	1	00766578	CHAIN - 5 Links
	1	00766525	CHAIN ROD
	1	00766564	SE5 CHAINGUARD ASSEMBLY - REAR R/H - <i>comprising of:</i>
	1	00766566	CHAINGUARD PLATE
4	20	00766578	CHAIN - 5 Links
	1	00766565	CHAIN ROD
	1	00766522	SE6 CHAINGUARD ASSEMBLY - REAR R/H - <i>comprising of:</i>
	1	00766524	CHAINGUARD PLATE
	23	00766578	CHAIN - 5 Links
1	1	00766525	CHAIN ROD
	5	6	9313086
6	10	9100106	FLAT WASHER
7	10	9143006	SELF-LOCKING NUT
8	4	9213266	BOLT



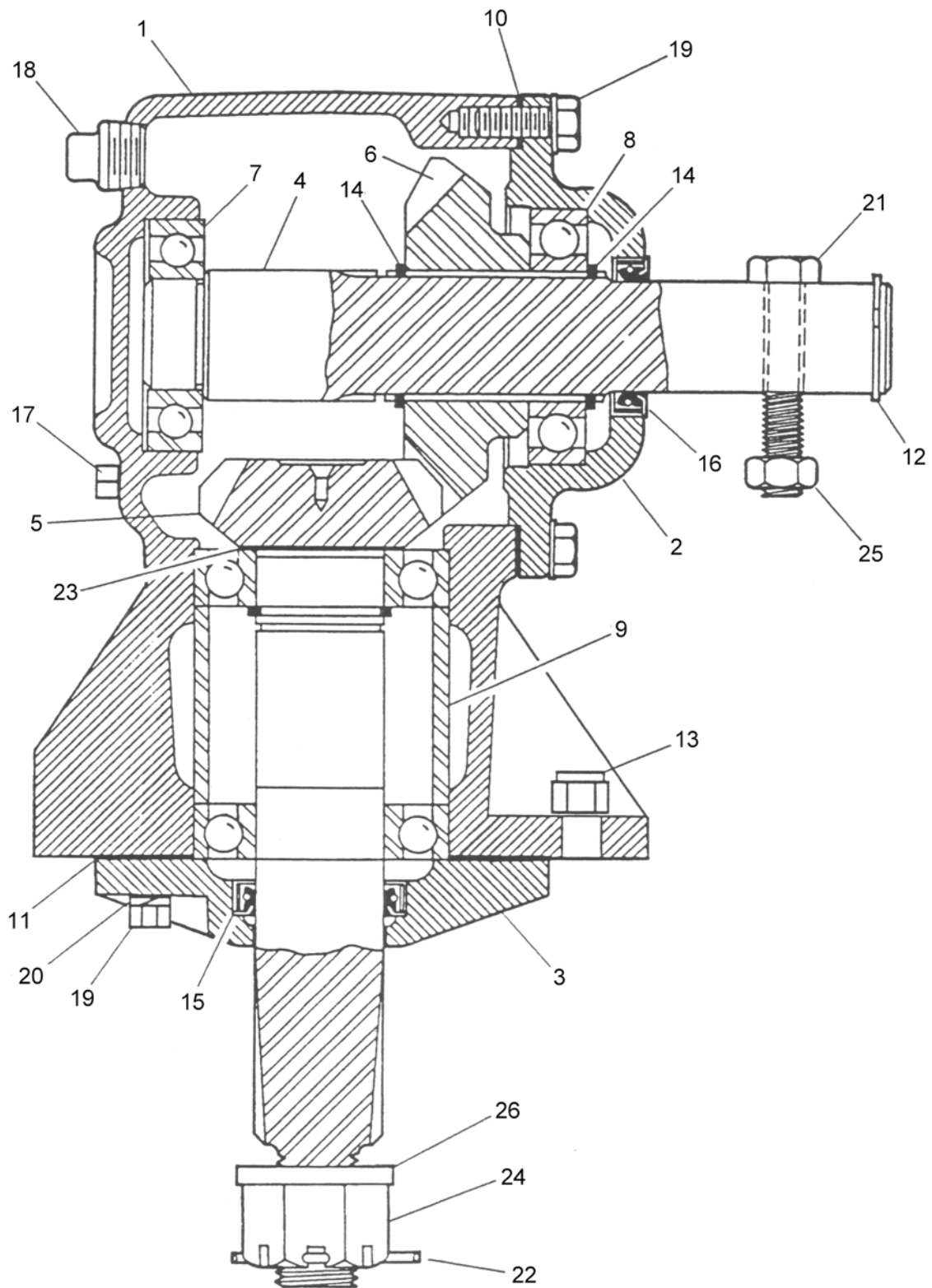
SE5/6 - TAILWHEEL ASSEMBLY



**SE5/6 - TAILWHEEL ASSEMBLY**

REF.	QTY.	PART No.	DESCRIPTION
1	1	1028307	WHEEL & FORK (COMPLETE)
2	1	1028308	FORK
3	1	15B2400	WASHER
4	1	00758899	SPLIT PIN
5	1	9213187	BOLT
6	1	9143009	SELF-LOCKING NUT
7	1	00766517	TAILWHEEL BEAM - SE 5 MOWERS ONLY
	1	00771599	TAILWHEEL BEAM - SE 6 MOWERS ONLY
8	1	00766610	MOUNTING FLAT
9	3	9143006	SELF-LOCKING NUT
10	1	00766611	GAUGE WHEEL MOUNT
11	4	9100020	FLAT WASHER
12	3	9213166	BOLT
13	4	9100022	SELF-LOCKING NUT
14	4	9200016	SETSCREW

SE5/6 - GEARBOX ASSEMBLY



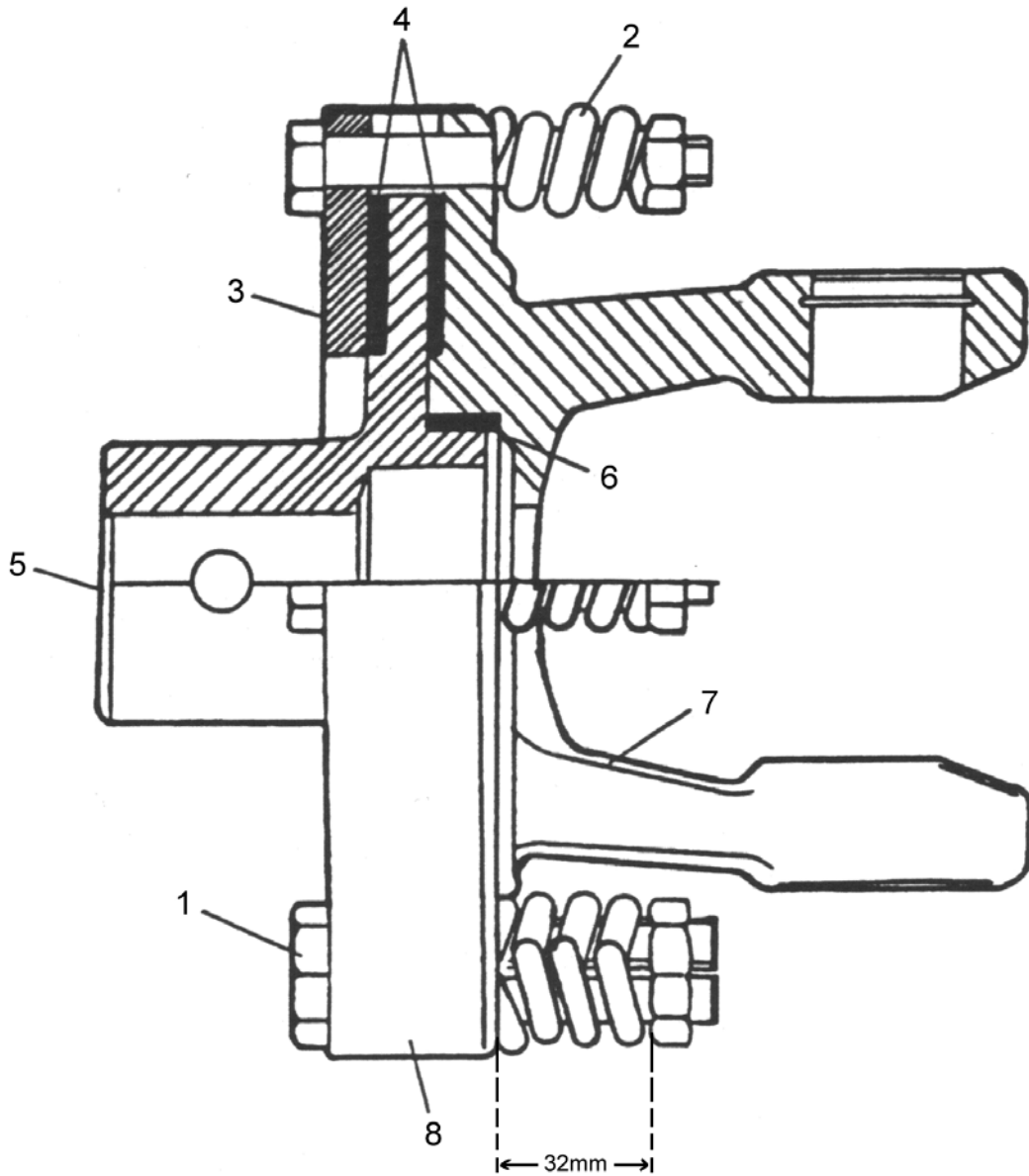

SE5/6 - GEARBOX ASSEMBLY

REF.	QTY.	PART No.	DESCRIPTION
		0711050100	SE 5 & SE 6 GEARBOX ASSEMBLY
1	1	00563900	MAIN HOUSING
2	1	00564300	FRONT HOUSING
3	1	00757683	BEARING RETAINER CAP
4	1	00564700	SHAFT - INPUT
5	1	00564000	SHAFT & PINION GEAR
6	1	00564600	INPUT GEAR
7	1	00564800	BALL BEARING
8	3	00563700	BALL BEARING
9	1	00757682	BEARING SPACER
10	<i>as req.</i>	00564400	SHIMS
11	<i>as req.</i>	00760929	GASKET (.25)
	<i>as req.</i>	00760928	GASKET (.1)
12*	1	7192	RETAINING RING
13	4	02956948	LOCKNUT
14	3	00564100	RETAINING RING
15	1	00563500	OIL SEAL
16	1	00564200	OIL SEAL
17	1	00565000	PIPE PLUG
18	1	00749508	PIPE PLUG
19	6	00011400	BOLT
20	10	02161100	LOCKWASHER - EXTERNAL TOOTH
21*	1	02-12-245	BOLT
22	1	05-03-245	COTTER PIN
23	<i>as req.</i>	00758671	SHIM - GEAR
24	1	7202	HEX SLOTTED NUT
25*	1	00001800	LOCKNUT
26	1	6192	FLAT WASHER - SPECIAL

*Not included with Gearbox Assembly



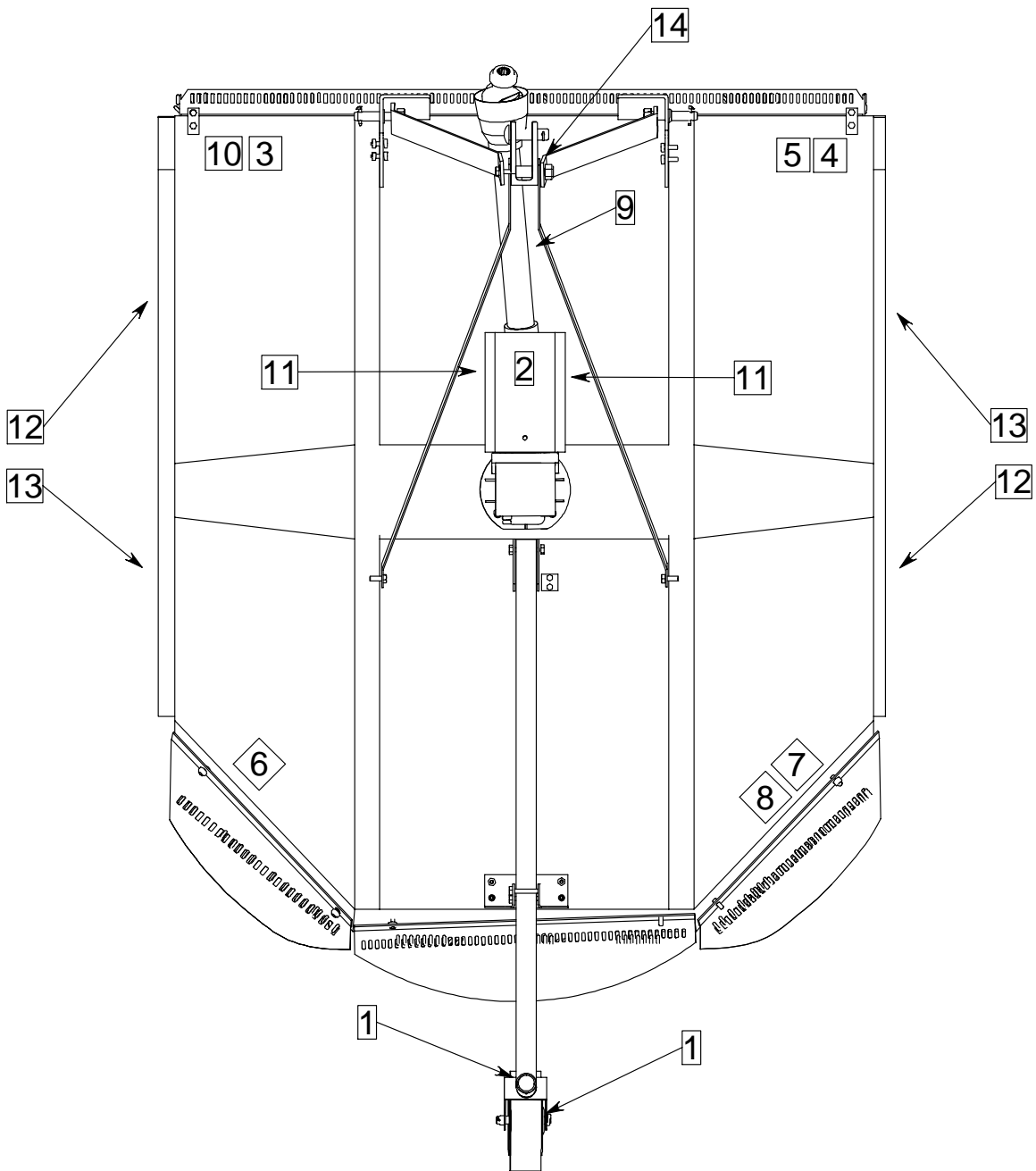
SE5/6 - SLIPCLUTCH



**SE5/6 - SLIPCLUTCH**

REF.	QTY.	PART No.	DESCRIPTION
1	8	00762249	BOLT
2	8	00762250	SPRING
3	1	00762247	OUTER FLANGE
4	2	00762248	FRICION DISC
5	1	00762243	BODY - FRICTION CLUTCH
6	1	00762251	SPACER
7	1	00762244	YOKE FRICTION
8	1	00762252	DIRT SHIELD

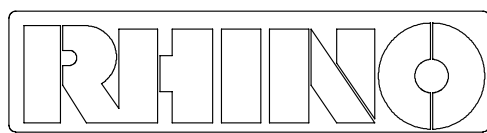
SE5/6 - DECALS



- 1
- 2
- 3
- 4
- 5
- 6
- 7
- 8
- 9
- 10



11



12



13

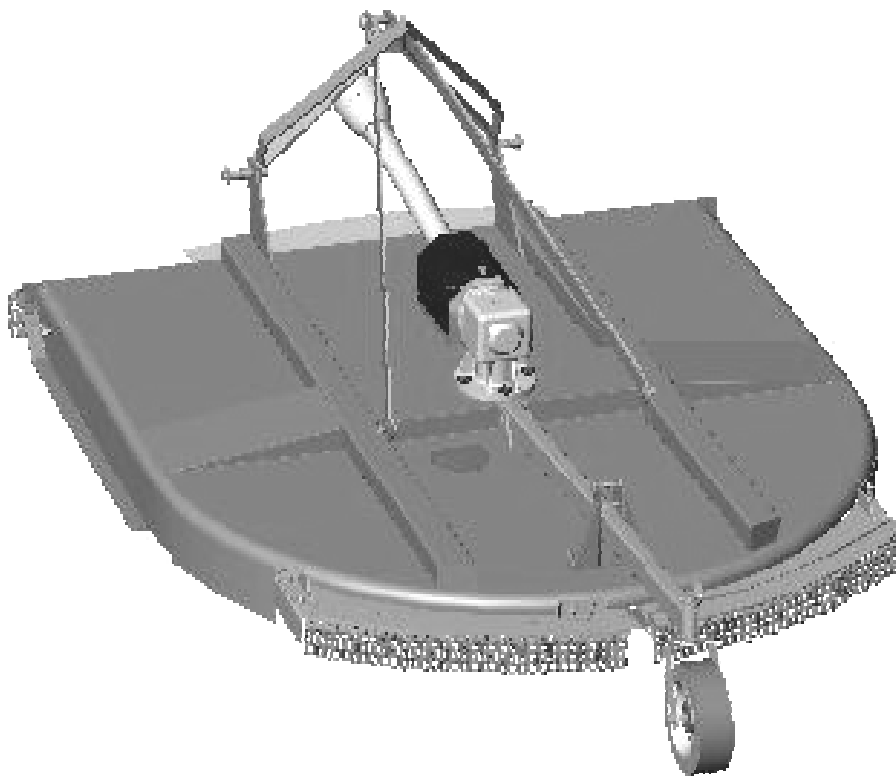


14

**SE5/6 - DECALS**

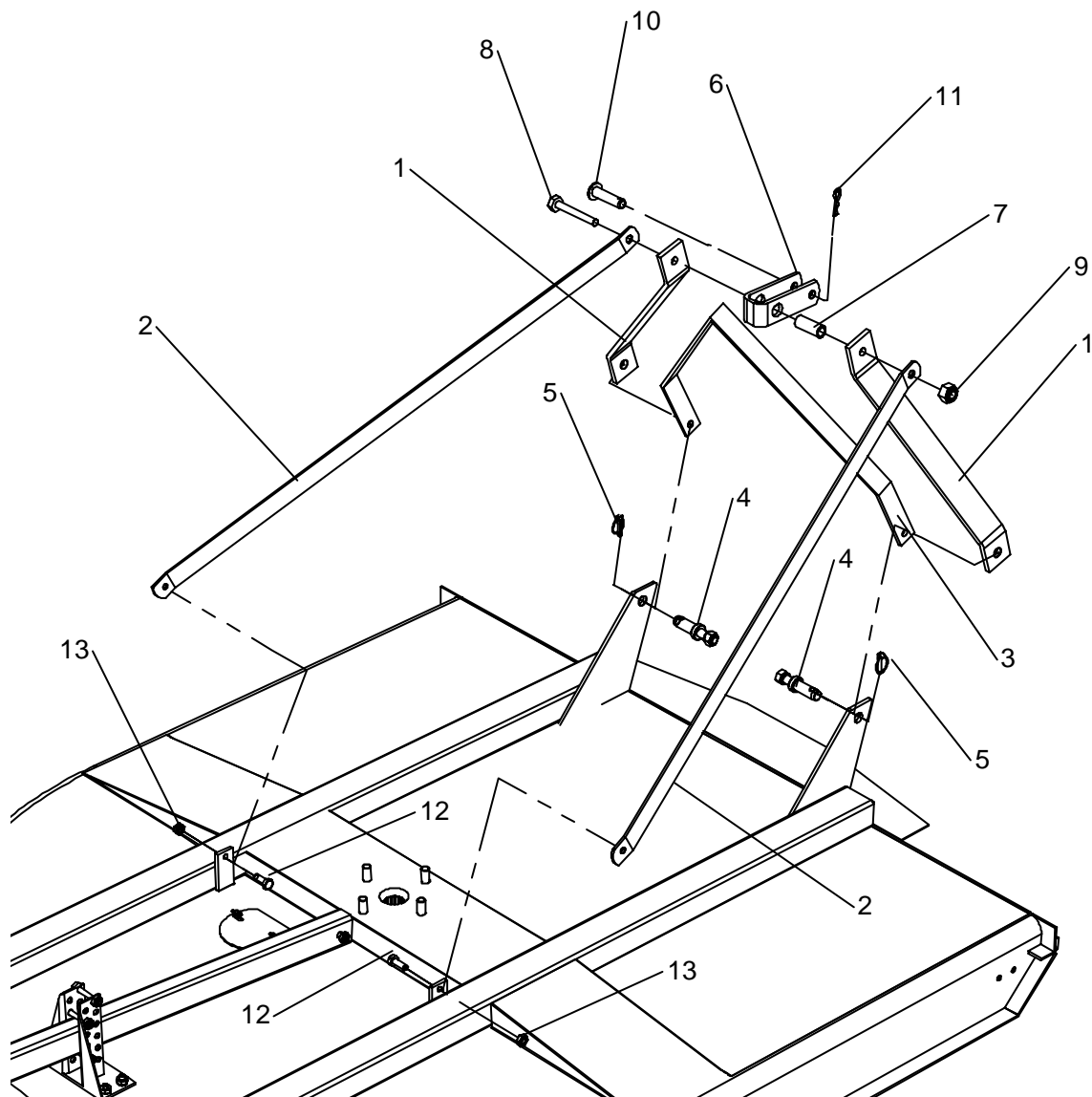
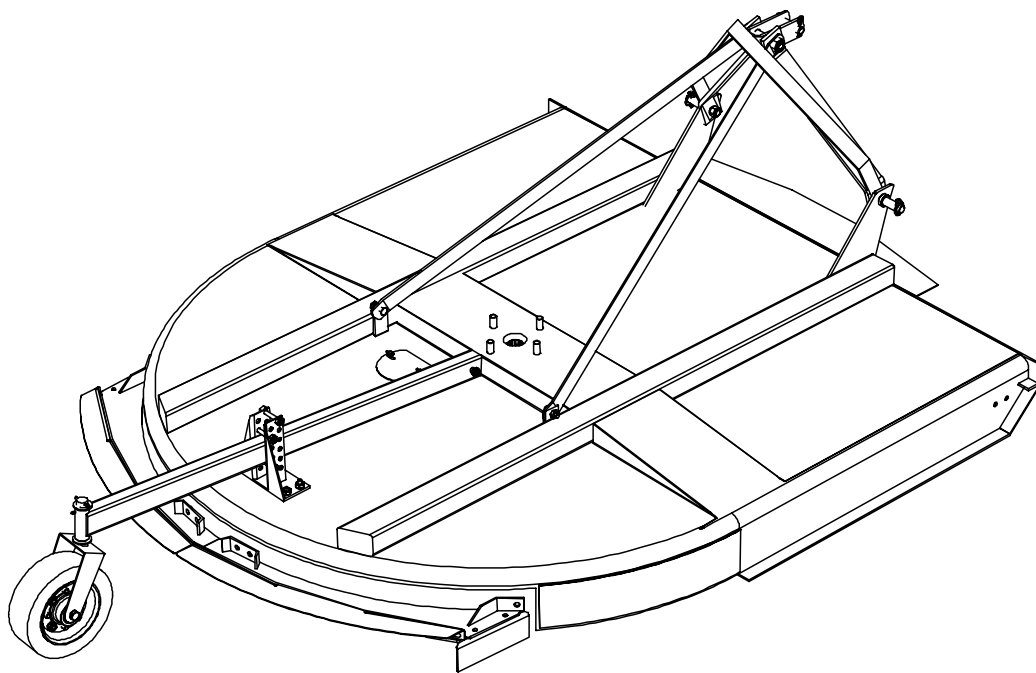
REF.	QTY.	PART No.	DESCRIPTION
1	2	09.810.03	DECAL - GREASE 100 hrs
2	1	09.811.04	DECAL - PTO SPEED 540 rpm
3	1	09.821.10	DECAL - KEEP NUTS TIGHT
4	1	09.821.15	DECAL - READ INSTRUCTION MANUAL
5	1	09.821.16	DECAL - KEEP OUT ZONE
6	1	09.821.17	DECAL - UNSUPPORTED MACHINE
7	1	09.821.18	DECAL - THROWN DEBRIS
8	1	09.821.19	DECAL - ROTARY HEAD DANGER
9	1	09.821.20	DECAL - SHAFT ENTANGLEMENT
10	1	09.821.22	DECAL - UNBLOCK HEAD (ROTARY)
11	2	D302	DECAL - RHINO
12	2	D303	DECAL - RHINO
13	2	0891000010	DECAL - SE5
		0901000010	DECAL - SE6
14	2	09.843.03	DECAL - LIFT POINT 500kg

SE7





SE7 - 'A' FRAME ASSEMBLY



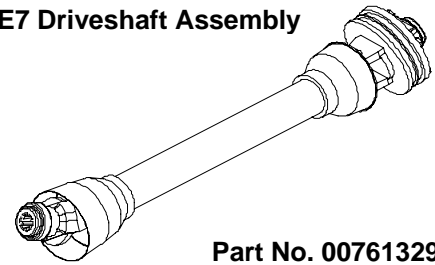
**SE7 - 'A' FRAME ASSEMBLY**

REF.	QTY.	PART No.	DESCRIPTION
1	2	00776052	BAR - A FRAME HALF
2	2	00776050	LIFT STRAP BAR
3	1	45867.01	TRANSPORT STRAP
4	2	441027	CAT II LINCH PIN c/w NUT & SPRING WASHER
5	2	0431217	LINCH PIN
6	1	00757949	TOP LINK
7	1	00766542	BUSHING
8	1	9213308	BOLT
9	1	9143008	SELF LOCKING NUT
10	1	37107B12	TOP LINK PIN
11	1	05.964.01	SPRING COTTER
12	2	9313076	SETSCREW
13	2	9143006	SELF LOCKING NUT

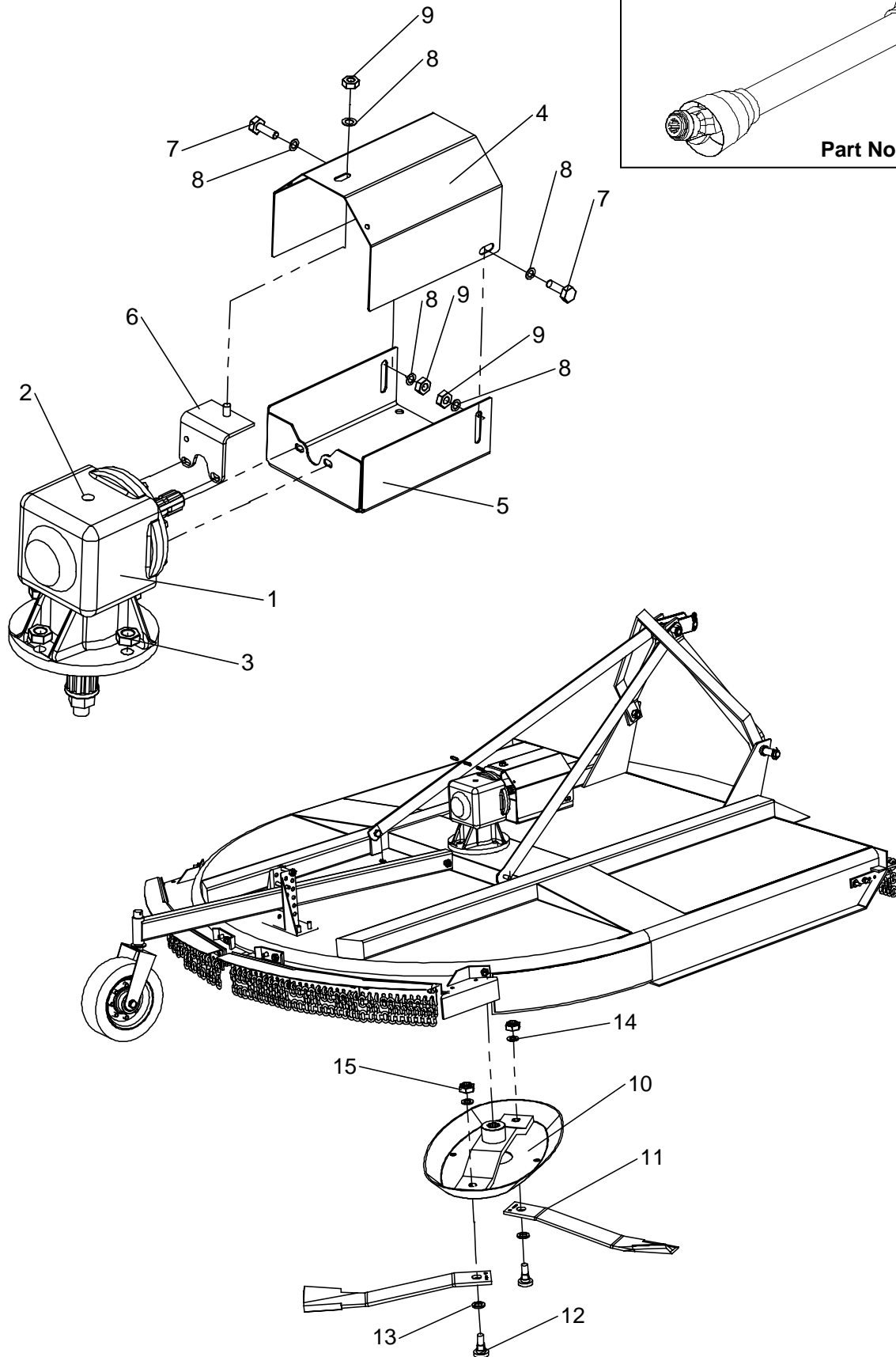


SE7 - GUARDING & BLADES

SE7 Driveshaft Assembly



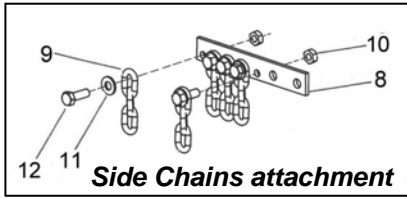
Part No. 00761329



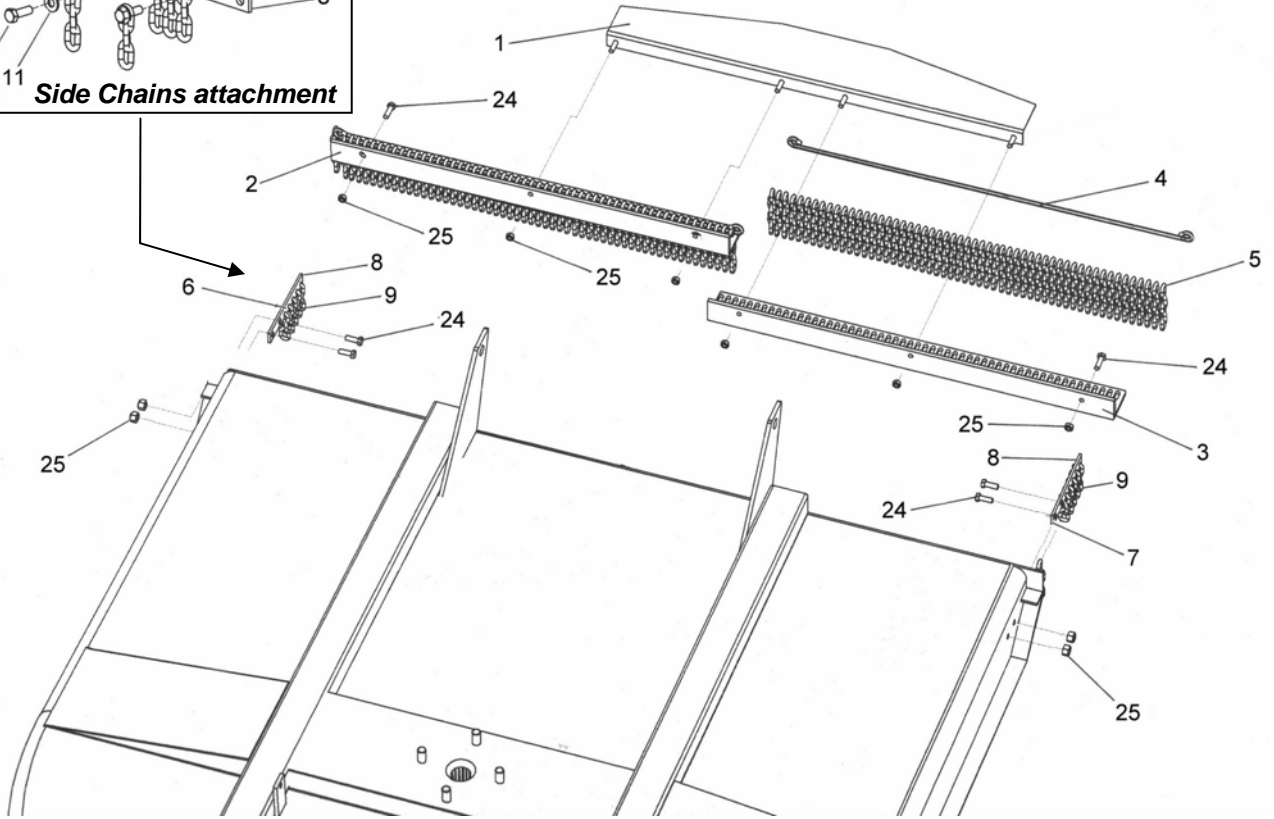
**SE7 - GUARDING & BLADES**

REF.	QTY.	PART No.	DESCRIPTION
1	1	741031M	GEARBOX - SE 7
2	1	00758654	GEARBOX BREATHER
3	4	0142007	CLEVELOC NUTS - UNF
4	1	45641.01	PLATE SHIELD
5	1	00762985A	PLATE BRACKET - BOTTOM
6	1	45641.12	SHIELD BRACKET
7	2	9313056	SETSCREW
8	5	9100106	WASHER
9	3	9143006	SELF-LOCKING NUT
10	1	00776060	BLADE PAN
11	2	00764669	BLADE
12	2	8251	BLADE BOLT
13	2	0100109	FLAT WASHER - PLATED
14	2	00758579	SPECIAL WASHER
15	2	5JRC16140	LOCKNUT - BLADE BOLT

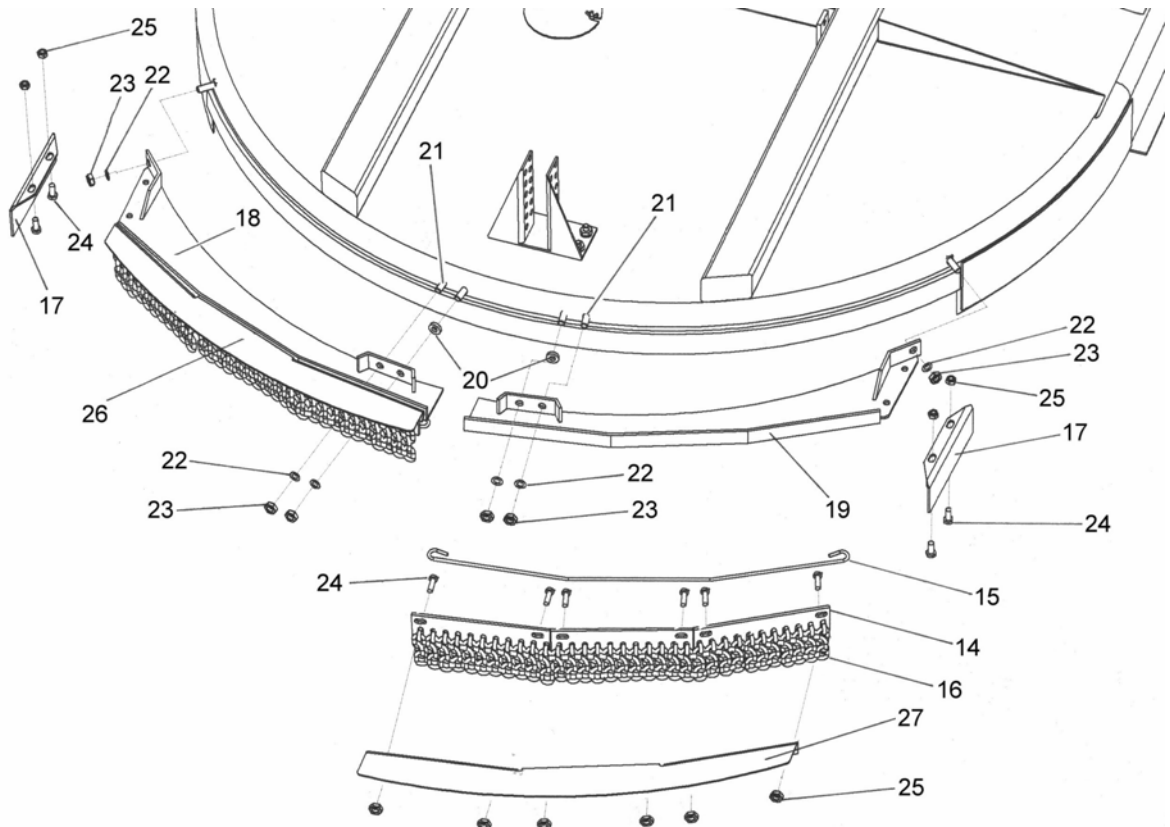
SE7 - CHAINGUARD ASSEMBLIES



Front Chainguard



Rear Chainguard




SE7 - CHAINGUARD ASSEMBLIES

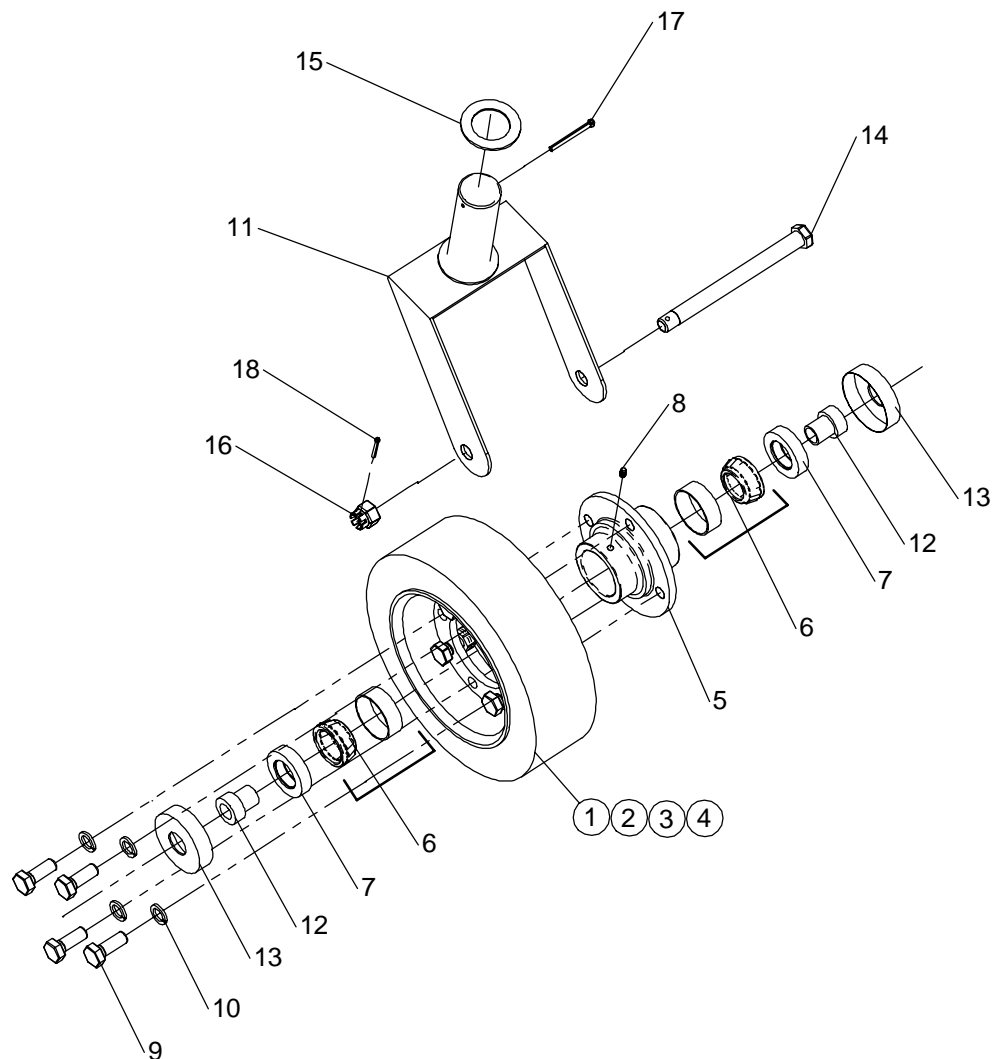
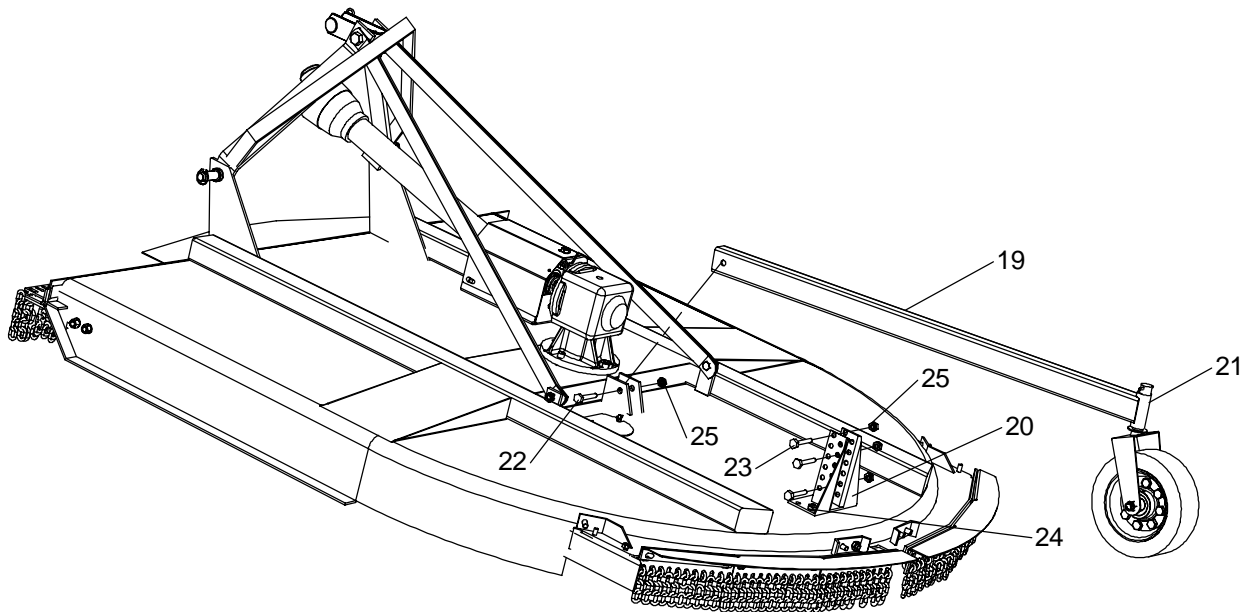
REF.	QTY.	PART No.	DESCRIPTION
		00776026	FRONT CHAINGUARD ASSEMBLY c/o
1	1	45799.01	FRONT GUARD ASSEMBLY
2	2	00776078	FRONT CHAINGUARD HALF c/w
3	1	00775260	PLATE - SLOTTED
4	1	0371200102	CHAINGUARD ROD
5	78	007005090	CHAIN - 5 Link
6	1	00776066	SIDE CHAINGUARD ASSEMBLY L/H
7	1	00776067	SIDE CHAINGUARD ASSEMBLY R/H
8	1	00776058	SIDE PLATE c/w
9	5	0652130101	CHAIN - 3 Link
10	5	00015800	LOCKNUT
11	5	00011100	WASHER
12	5	02961677	BOLT
		00776027	REAR CHAINGUARD ASSEMBLY c/o
13	2	00776065	REAR CHAINGUARD c/w
14	1	00774000	CHAINGUARD PLATE
15	1	00959900	CHAINGUARD ROD
16	33	0731361104	CHAIN - 4 Link
17	2	00776055	SIDE SHIELD
18	1	00773997	DEFLECTOR MOUNT L/H
19	1	00773998	DEFLECTOR MOUNT R/H
20	2	00776072	SPACER
21	6	9313086	SETSCREW
22	6	9100106	WASHER
23	6	9143006	SELF-LOCKING NUT
24	22	9313066	SETSCREW
25	26	9143006	SELF-LOCKING NUT
26	1	45799.31	SKIRT EXTENSION L/H
27	1	45799.32	SKIRT EXTENSION R/H

} c/o

} per side



SE7 - TAILWHEEL ASSEMBLY

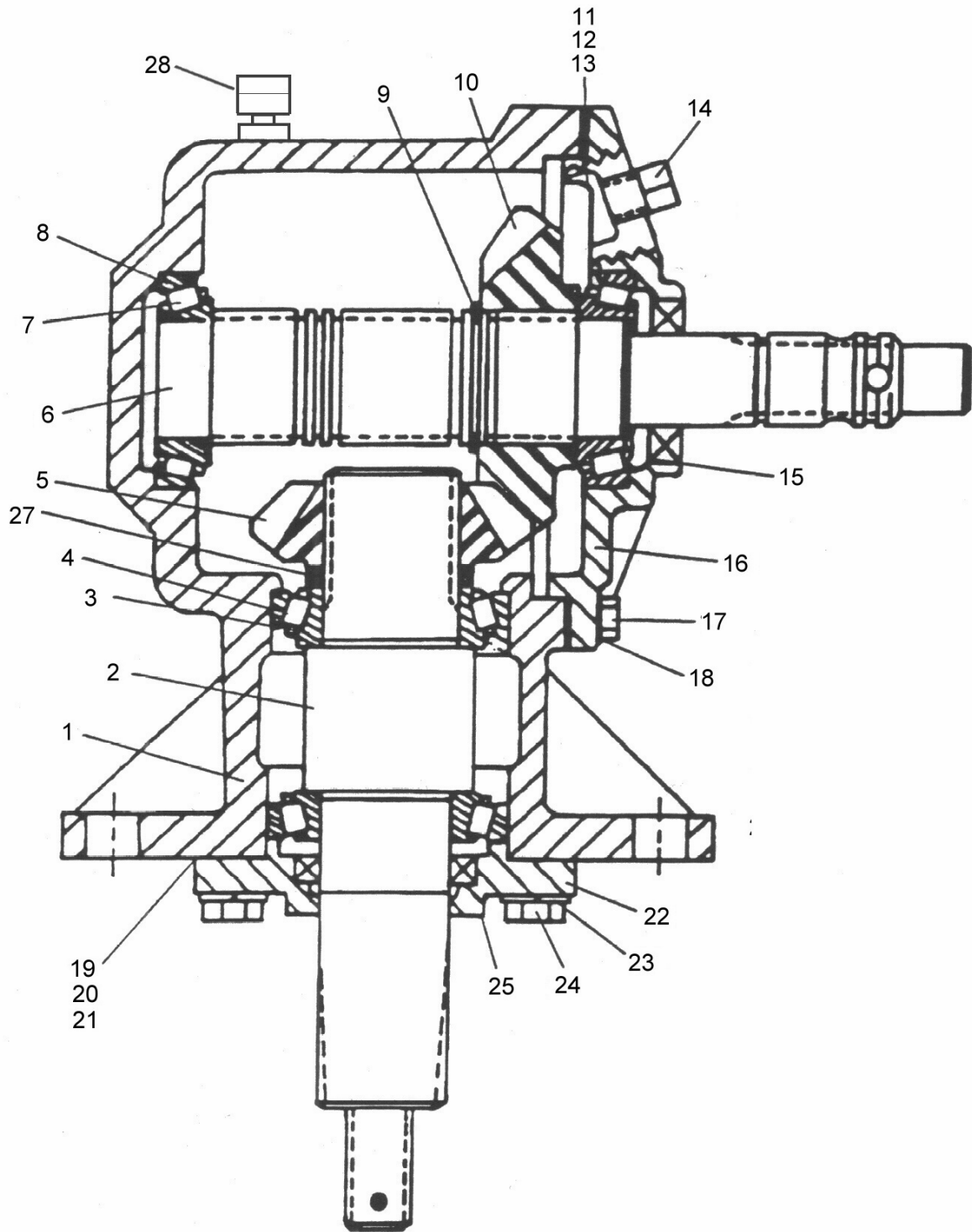



SE7 - TAILWHEEL ASSEMBLY

REF.	QTY.	PART No.	DESCRIPTION
		00776210	TAILWHEEL COMPLETE ASSEMBLY
1	1	373024H	TYRE AND WHEEL (Bolted Assembly only - less hub)
2	1	373024	WHEEL ASSEMBLY c/w *
3	1	303024A	* TYRE
4	1	373024B	* WHEEL ONLY - 8" diameter Bolted Assembly
5	1	00776214	HUB
6	2	00776213	BEARING & CUP
7	2	00776219	SEAL - GREASE
8	1	00772082	GREASE FITTING
9	4	00776214	SCREW - HEX HEADED
10	4	00776215	LUG WASHER
11	1	00776224	FORK
12	2	00772017	SLEEVE (SHOULDER)
13	2	00772018	DUST CUP
14	1	00776211	SPINDLE BOLT
15	2	15B2000	PLAIN WASHER
16	1	00776212	NUT
17	1	00036900	COTTER PIN
18	1	00771620	ROLL PIN
19	1	00776059	TAILWHEEL BEAM
20	1	00766611	TAILWHEEL BRACKET
21	1	00772082	GREASE FITTING
22	1	9213187	BOLT
23	3	9213166	BOLT
24	4	9313076	SETSCREW
25	4	9143006	SELF-LOCKING NUT

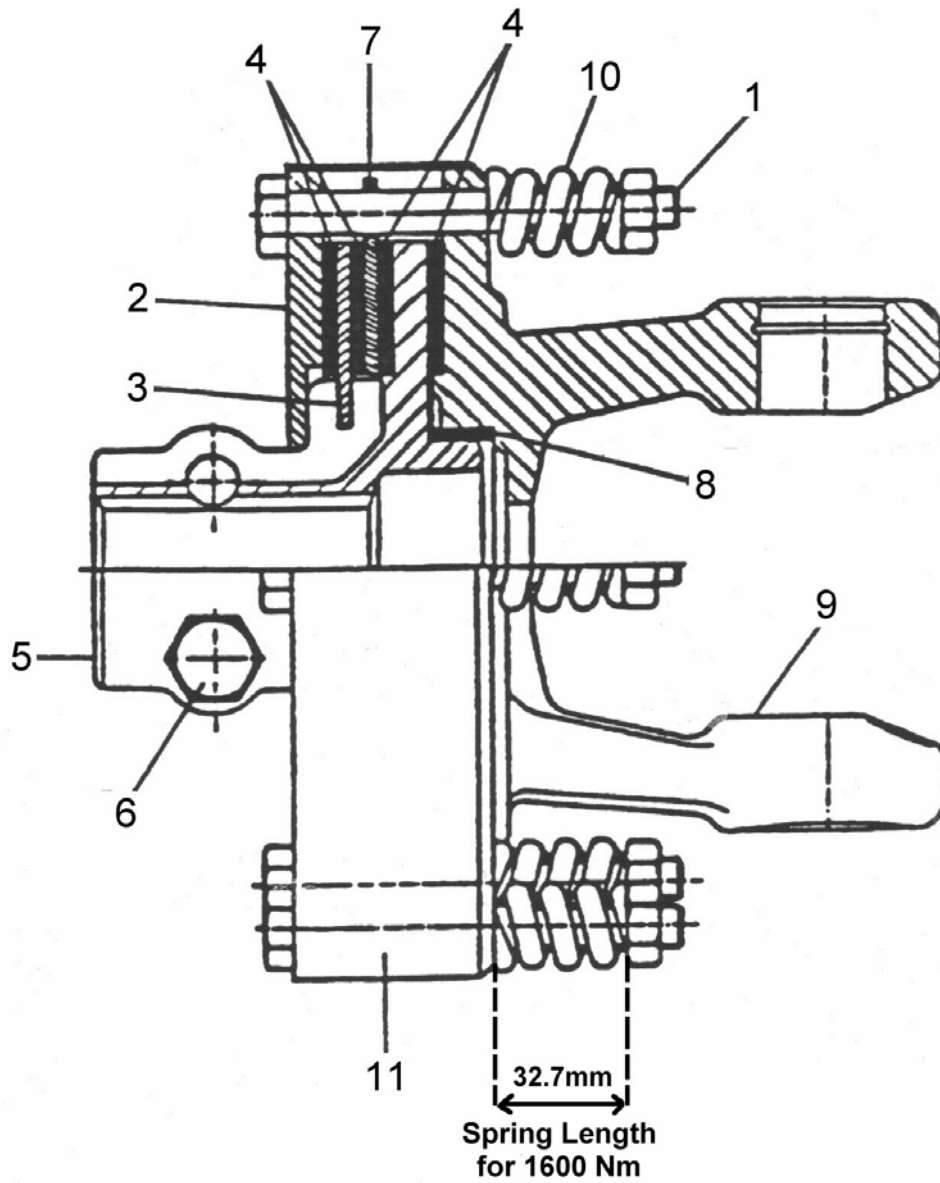


SE7 - GEARBOX ASSEMBLY




SE7 - GEARBOX ASSEMBLY

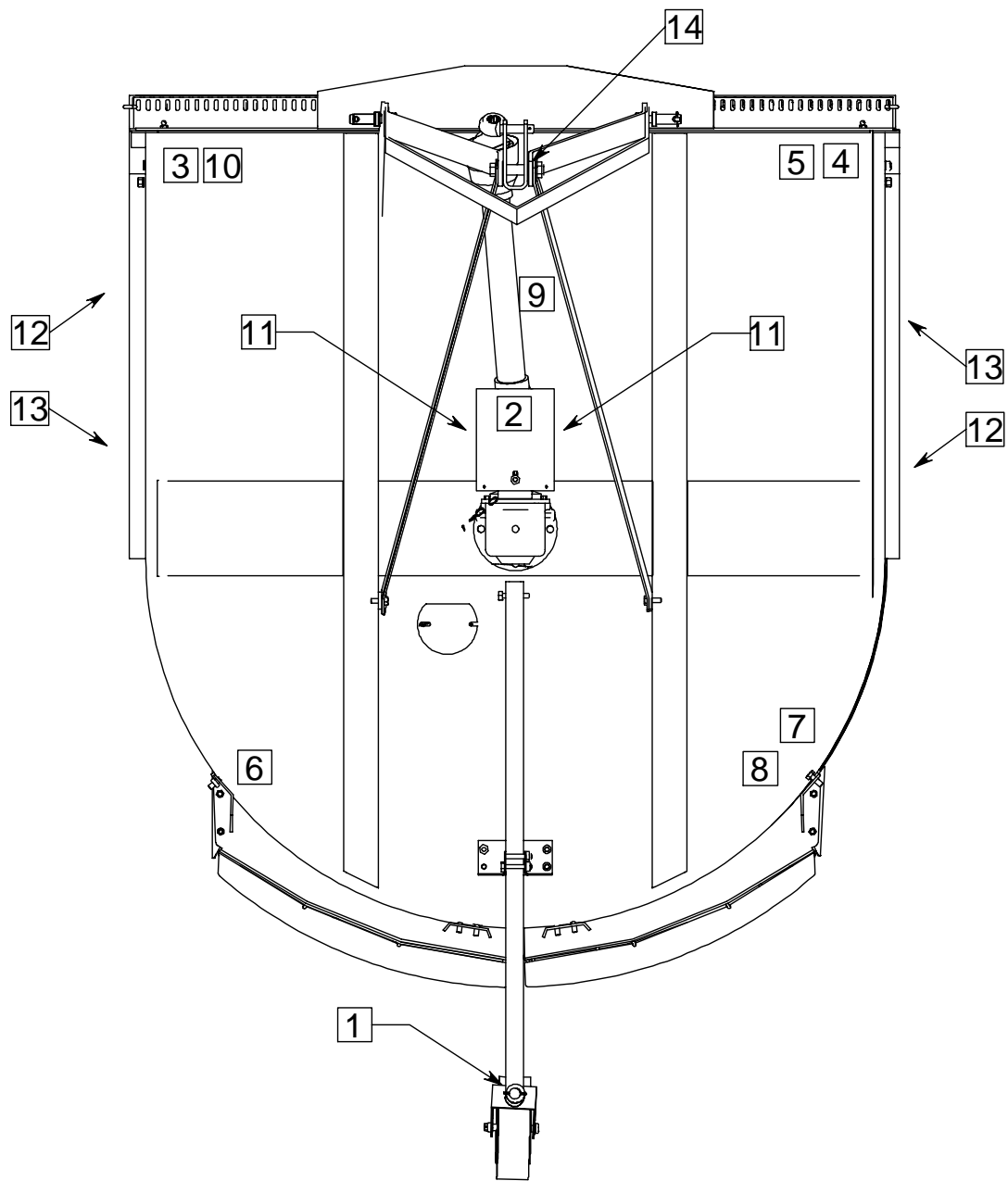
REF.	QTY.	PART No.	DESCRIPTION
		741031M	SE7 GEARBOX ASSEMBLY
1	1	00758989	HOUSING
2	1	00758990	OUTPUT SHAFT
3	2	00748522	BEARING CONE
4	2	00020600	BEARING CUP
5	1	00759055	OUTPUT GEAR - 17 TEETH
6	1	00758991	INPUT SHAFT
7	2	00748527	BEARING CONE
8	2	00748525	BEARING CUP
9	1	00748526	RETAINING RING
10	1	00759054	INPUT GEAR - 17 TEETH
11	<i>as req.</i>	7010420	GASKET 0.3
12	<i>as req.</i>	7010420	GASKET 0.15
13	<i>as req.</i>	7010420	GASKET 0.1
14	2	00753630	PIPE PLUG
15	1	00753644	SEAL
16	1	741035	INPUT CAP
17	8	00753642	CAPSCREW
18	8	00753633	LOCKWASHER
19	<i>as req.</i>	00748520	GASKET 0.3
20	<i>as req.</i>	00748520	GASKET 0.15
21	<i>as req.</i>	00748520	GASKET 0.1
22	1	00752155	OUTPUT CAP
23	4	00753743	LOCKWASHER
24	4	00748823	CAPSCREW
25	1	00753634	SEAL
26	1	00753631	PIPE PLUG - <i>not illustrated</i>
27	1	00759053	SPACER
28	1	00758654	BREATHING



**SE7 – SLIP CLUTCH (00754200)**

REF.	QTY.	PART No.	DESCRIPTION
		00754200	SLIP CLUTCH ASSEMBLY
1	8	00754199	NUT & BOLT
2	1	00754203	PRESSURE PLATE
3	1	00754201	INNER PLATE
4	4	00754202	CLUTCH LINING
5	1	00754300	CLUTCH BODY
6	2	00752903	BOLT & NUT SET
7	1	00754314	PLATE WITH HOLES
8	1	00754301	SPACER
9	1	00754302	YOKE
10	8	00754303	CLUTCH SPRING
11	1	00754304	DIRT SHIELD

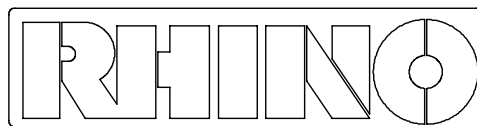
SE7 - DECALS



- 1
- 2
- 3
- 4
- 5
- 6
- 7
- 8
- 9
- 10



11



12



13



14

**SE7 - DECALS**

REF.	QTY.	PART No.	DESCRIPTION
		1047260	SE7 DECAL KIT
1	2	09.810.03	DECAL - GREASE 100 hrs
2	1	09.811.04	DECAL - PTO SPEED 540 rpm
3	1	09.821.10	DECAL - KEEP NUTS TIGHT
4	1	09.821.15	DECAL - READ INSTRUCTION MANUAL
5	1	09.821.16	DECAL - KEEP OUT ZONE
6	1	09.821.17	DECAL - UNSUPPORTED MACHINE
7	1	09.821.18	DECAL - THROWN DEBRIS
8	1	09.821.19	DECAL - ROTARY HEAD DANGER
9	1	09.821.20	DECAL - SHAFT ENTANGLEMENT
10	1	09.821.22	DECAL - UNBLOCK HEAD (ROTARY)
11	2	D302	DECAL - RHINO
12	2	D303	DECAL - RHINO
13	2	0921000010	DECAL - SE7
14	2	09.843.03	DECAL - LIFT POINT 500kg



McConnel Limited, Temeside Works, Ludlow, Shropshire SY8 1JL. England.
Telephone: 01584 873131. Facsimile: 01584 876463. www.mcconnel.com