

WOLSELEY

SWIPE JUNGLE BUSTER

SW0739

PARTS MANUAL

Issued July 1980

INDEX

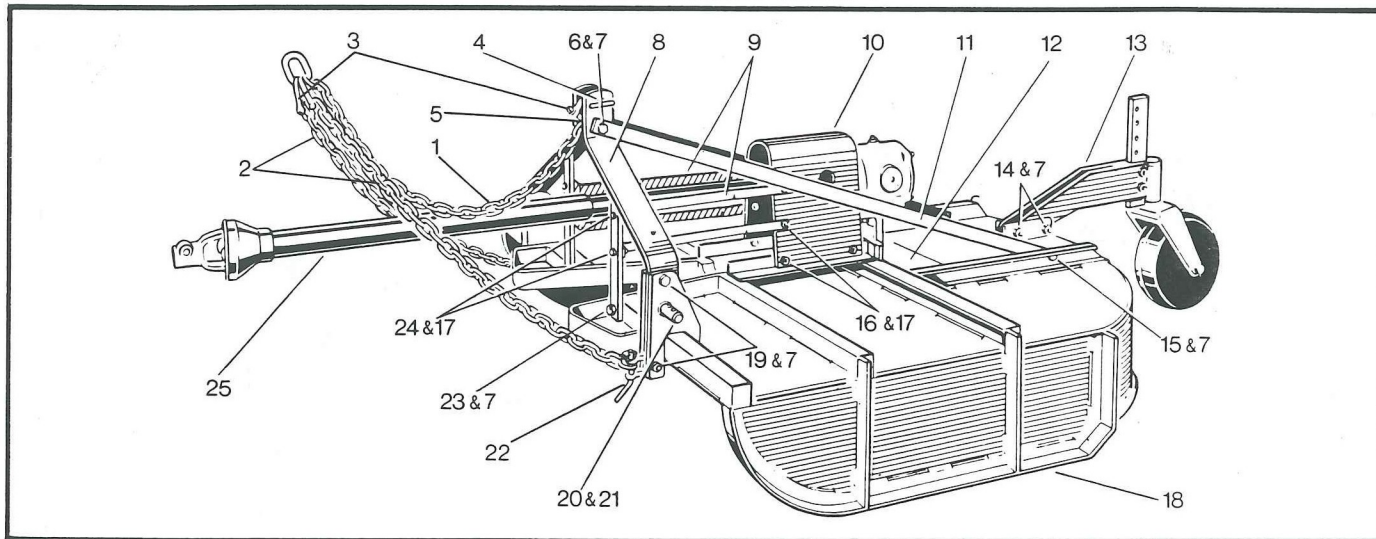
INTRODUCTORY NOTES	Page 4
FRAME ASSEMBLY SW.874	Page 5
GEAR BOX ASSEMBLY SW.889	Page 6
GEAR BOX SUPPORT SW.891	Page 7
GEARBOX ASSEMBLY (HI-TON) SW.1027	Page 8
GEARBOX SUPPORT (HI-TON) SW.1028	Page 9
P.T.O. SHAFT SW.895 (BY-PY TRANSMISSIONS)	Pages 10 & 11
P.T.O. SHAFT SW.879 (HARDY SPICER)	Pages 12 & 13
TRAILER WHEEL UNIT	Page 14

SWIPE JUNGLE BUSTER

NOTES – Please Read Carefully prior to Ordering Spares.

1. Parts for machines manufactured prior to 1962 – no longer available.
2. Moss Gear P.T.O. Shaft last fitted 1969 – parts on application only.
3. P.T.O. Shafts can be identified as follows:—
 - (a) Moss Gear P.T.O. shaft has a sliding bar 1.5/32" square with one corner ground for correct installation.
 - (b) Hardy Spicer P.T.O. Shaft has sliding bar 1.3/8" x 1.1/4".
 - (c) BY-PY P.T.O. Shaft has sliding bar of triangular section.
4. Shaft SW.709 now no longer available. Please use Shaft SW.807 together with appropriate end yoke for P.T.O. Shaft. i.e.
 - (a) Moss Gear splined yoke assembly 3A.SA11.
 - (b) Hardy Spicer splined yoke assembly K3.4.GB 2138.
5. Lift chain SW.154 has large link at one end only.
6. Pinion and Shaft SW.711 now no longer available. Please use Pinion and Shaft SW.886 together with chain holder SW.887/1 and UFN.0416 Nut.
7. Gearbox Assembly (HI-TON) SW.1027 used in conjunction with Gearbox Support SW.1028.

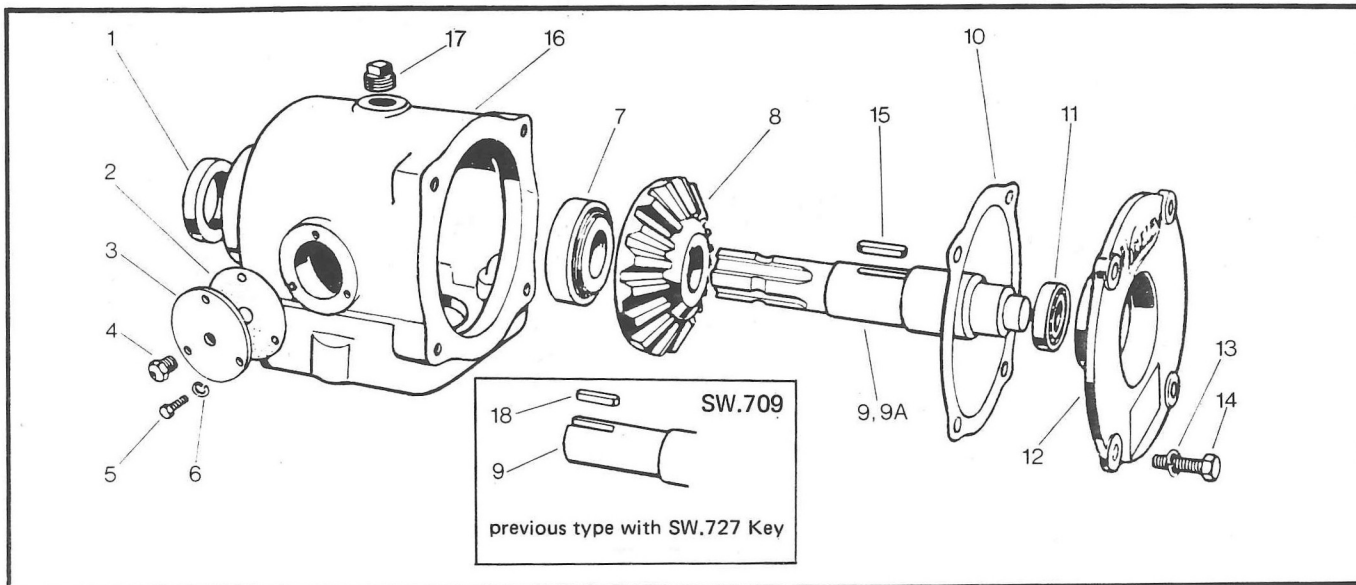
FRAME ASSEMBLY SW.874



ITEM No.	PART No.	PART NAME	Quantity	ITEM No.	PART No.	PART NAME	Quantity
1	SW.154	Lift Chain	1	14	UFB.0110/56	Bolt	2
2	SW.155	Support Chain	2	15	UFB.0110/28	Bolt	2
3	SW.68	Shackle	3	16	UFB.0106/16	Bolt	2
4	SW.849	Attachment Peg	1	17	UFN.1406	Nut	12
5	SW.841	Spacer	1	18	SW.809	Frame Assembly	1
6	UFB.0110/96	Bolt	1	19	UFB.0110/40	Bolt	4
7	UFN.1410	Nut	15	20	SW.735	Hitch Pin (Cat 2)	2
8	SW.811	'A' Frame	1	20A	SW.736	Hitch Pin (Cat 1)	2
9	SW.844	Guard Strap	4	21	UFN.1412	Nut	2
10	SW.845	Guard	1	22	SW.877	Shackle	2
11	SW.846	Main Stabilizer	2	23	UFB.0110/56	Bolt	2
12	SW.848	Cover	1	24	UFB.0106/24	Bolt	4
13	SW.813	Bracket	1	25		P.T.O. Shaft (see pages 10, 11, 12 & 13)	

UFN.1410 Nut for Protection Cover item 12 not illustrated.

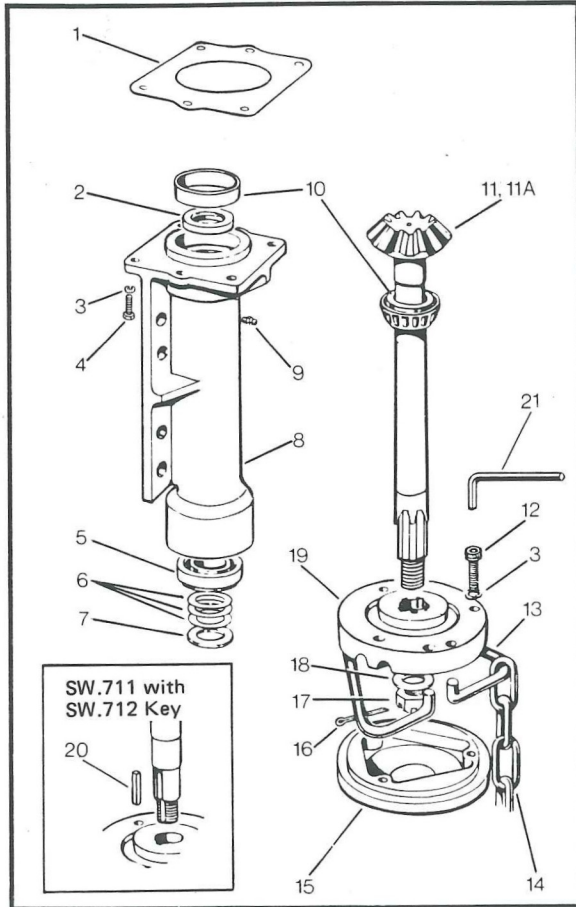
GEAR BOX ASSEMBLY SW.889



ITEM No.	PART No.	PART NAME	Quantity	
			SW893	SW730
1	SW.717	Oil Seal	1	1
2	S.21561	Gasket	1	1
3	S.21560	Cover	1	1
4	S.21560A	Breather	1	1
5	UFS.0100/8SS	Screw	3	3
6	LW.3	Lock Washer	3	3
7	SW.714	Bearing	1	1
8	SW.708	Pinion 16T	1	1
9	SW.709	Spindle (See inset)	—	1
9A	SW.807	Spindle (& Note 4)	1	—

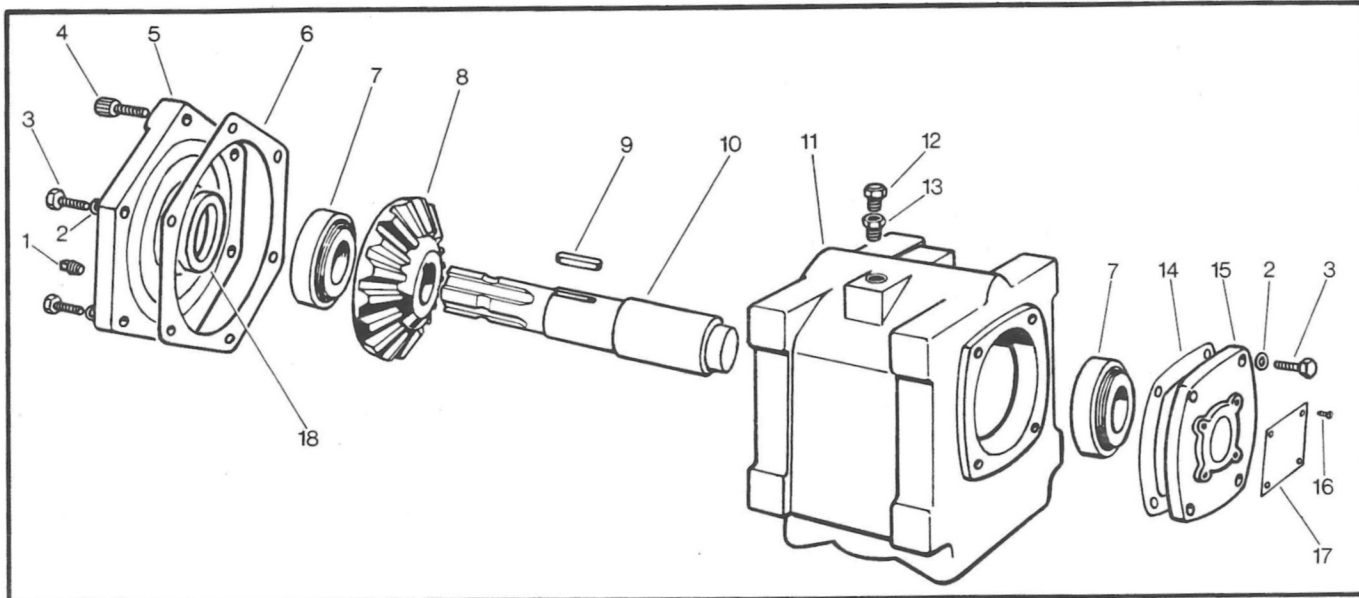
ITEM No.	PART No.	PART NAME	Quantity	
			SW893	SW730
10	SW.705	Shim	6	6
11	SW.713	Bearing	1	1
12	SW.701	Gearbox Cover	1	1
13	LW.6	Lock Washer	4	4
14	UCB.0106/16	Bolt	4	4
15	SW.710	Key	1	1
16	SW.700	Gearbox	1	1
17	SW.909	Oil Filler Plug	1	1
18	SW.727	Key	—	1

GEAR BOX SUPPORT ASSEMBLY SW.891



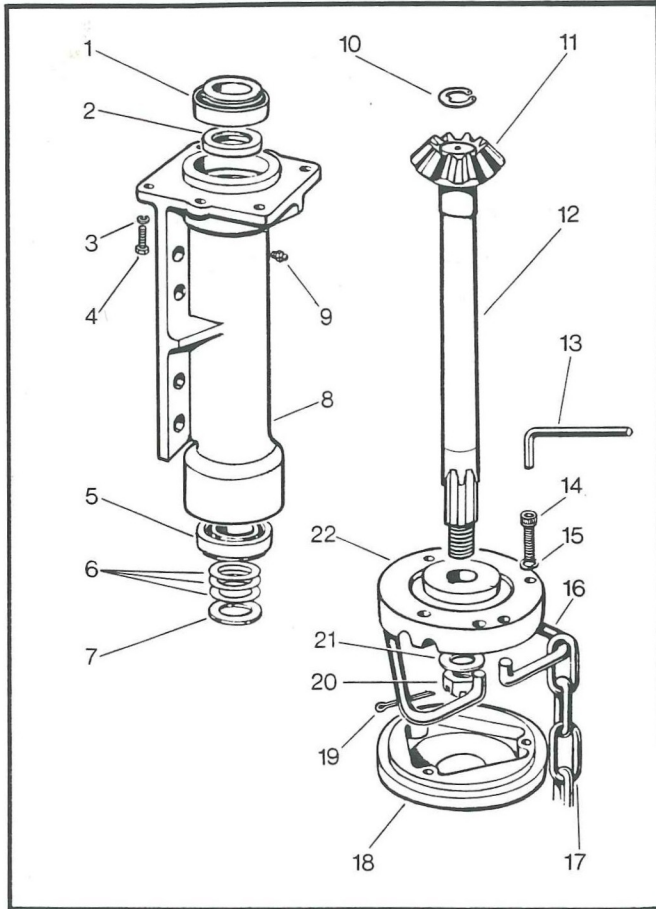
ITEM No.	PART No.	PART NAME	Quantity		
			SW891	SW793	
1	SW.706	Plastic Shim	4	4	
2	SW.718	Oil Seal	1	1	
3	LW.8	Lockwasher	9	9	
4	UCB.0108/20	Bolt	6	6	
5	SW.716	Bearing	1	1	
6	SW.719	Shim	3	3	
7	SW.720	Washer	1	1	
8	SW.702	Gearbox Support	1	1	
9	SW.729	Grease Nipple	1	1	
10	SW.715	Bearing	1	1	
11	SW.711	Pinion & Spindle	—	1) See inset
11A	SW.886	Pinion & Spindle	1	—) & Note 6
12	SW.740	Screw	3	3	
13	SW.661	Chain Clip	1	1	
14	SW.664	Chain (Cutting)	3	3	
15	SW.704	Chain Retain. Cover	1	1	
16	SW.728	Split Pin	1	1	
17	UFN.0416	Nut	1	1	
18	W16.SH	Washer	1	1	
19	SW.703	Chain Holder	—	1) See Note 6
19A	SW.887/1	Chain Holder	1	—	
20	SW.712	Key	—	1	
21	SW.764	Allen Key	1	1	

GEARBOX ASSEMBLY (HI-TON) SW.1027



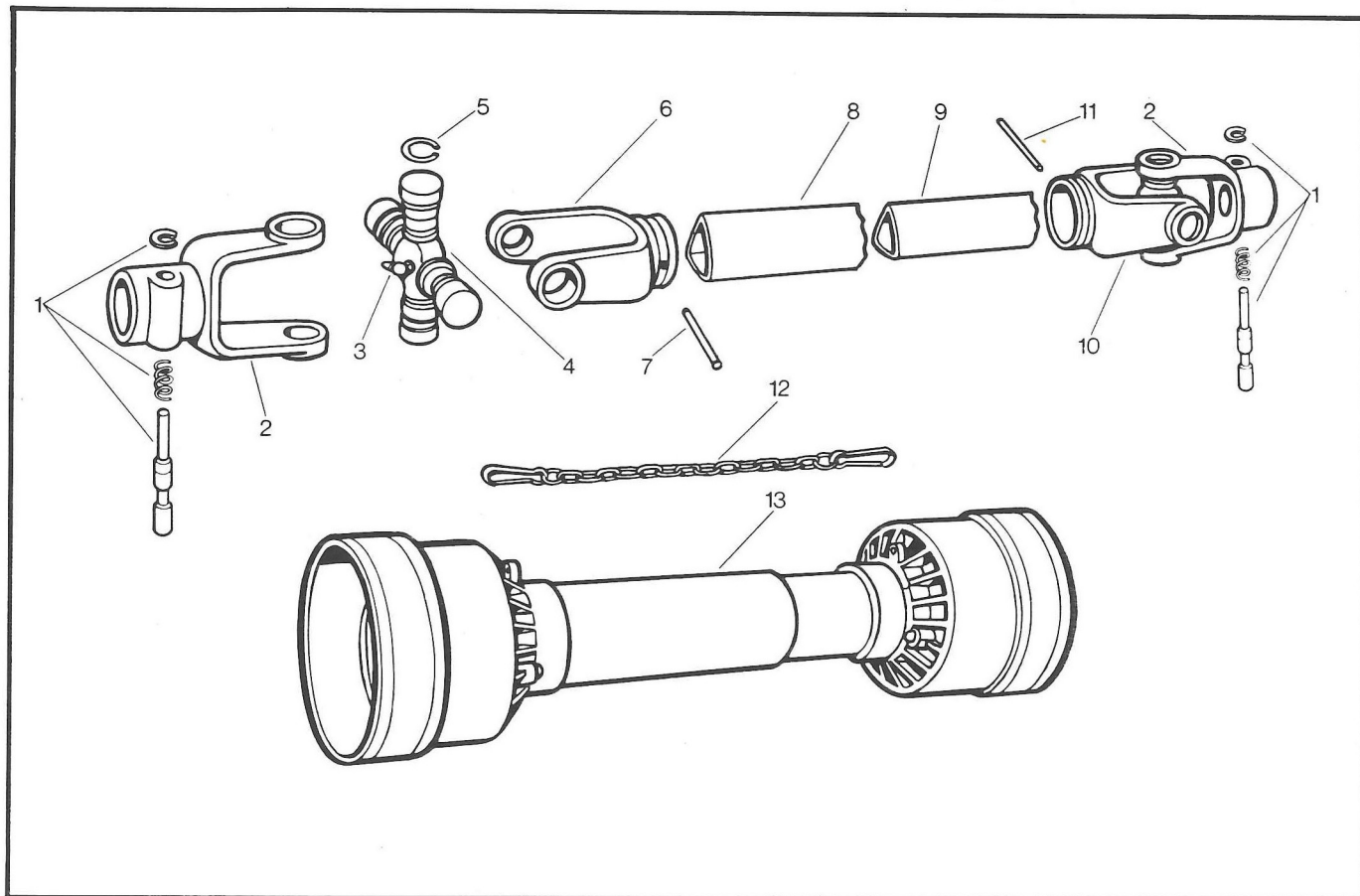
ITEM No.	PART No.	PART NAME	Quantity	ITEM No.	PART No.	PART NAME	Quantity
1	SW.1024	Plug	1	10	SW.1006	Shaft	1
2	SW.1022	Nylite Washer	9	11	SW.1001	Gearbox Case	1
3	MS.0108/20	Screw	9	12	SW.1026	Breather	1
4	SW.1021	Cap Head Screw	1	13	SW.1025	Filler Plug	1
5	SW.1002	Bearing Cap	1	14	SW.1014	Shim (-.003 Thk)	As Required
6	SW.1011	Shim (-.003 Thk)	As Required	14A	SW.1015	Shim (-.005 Thk)	As Required
6A	SW.1012	Shim (-.005 Thk)	As Required	14B	SW.1016	Shim (-.010 Thk)	As Required
6B	SW.1013	Shim (-.010 Thk)	As Required	15	SW.1003	Bearing Cap	1
7	SW.1004	Bearing	2	16	EC.0493	Hammer Drive Screw	4
8	SW.1007	Gear (Input) 24T	1	17	SW.1023	Serial Number Plate	1
9	SW.1010	Key	1	18	SW.1005	Oil Seal	1

GEAR BOX SUPPORT ASSEMBLY (HI-TON) SW.1028

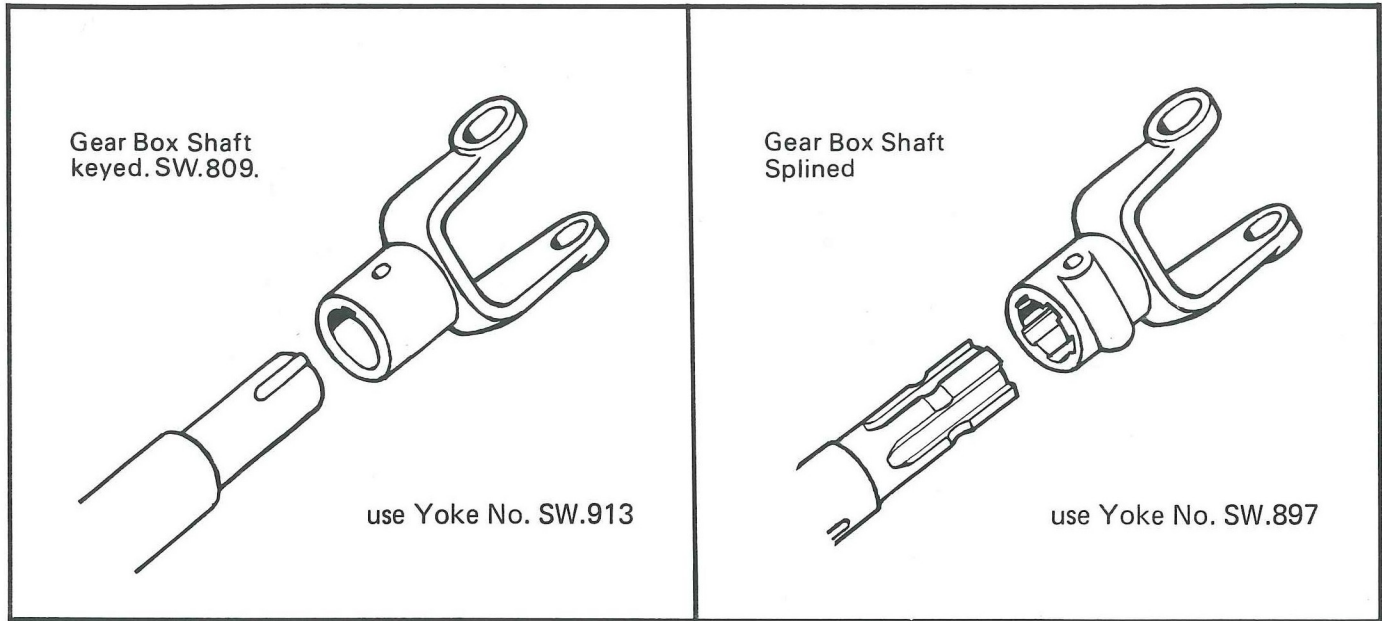


ITEM No.	PART No.	PART NAME	Quantity
1	SW.1017	Bearing	1
2	SW.1018	Oil Seal	1
3	LWM.16	Lockwasher	4
4	MS.0116/30	Screw	4
5	SW.716	Bearing	1
6	SW.719	Shim (-.005 Thk) As Required	
7	SW.720	Washer	1
8	SW.1020	Gearbox Support	1
9	SW.729	Grease Nipple	1
10	SW.1009	Circlip	1
11	SW.1008	Gear (Output) 15T	1
12	SW.1019	Shaft	1
13	SW.764	Key	1
14	SW.740	Screw	3
15	LW.8	Lockwasher	3
16	SW.661	Chain Clip	1
17	SW.664	Chain (Cutting)	3
18	SW.704	Chain Retainer Cover	1
19	SW.728	Split Pin	1
20	UFN.0416	Nut	1
21	W16.SH	Washer	1
22	SW.887/1	Chain Holder	1

P.T.O. SHAFT SW.895 (BY-PY TRANSMISSIONS)



N.B. The SW.895 (BY-PY) P.T.O. Shaft can be used to replace all existing P.T.O. Shafts by specifying the type of implement yoke required:—



Gear Box Shaft
keyed. SW.809.

use Yoke No. SW.913

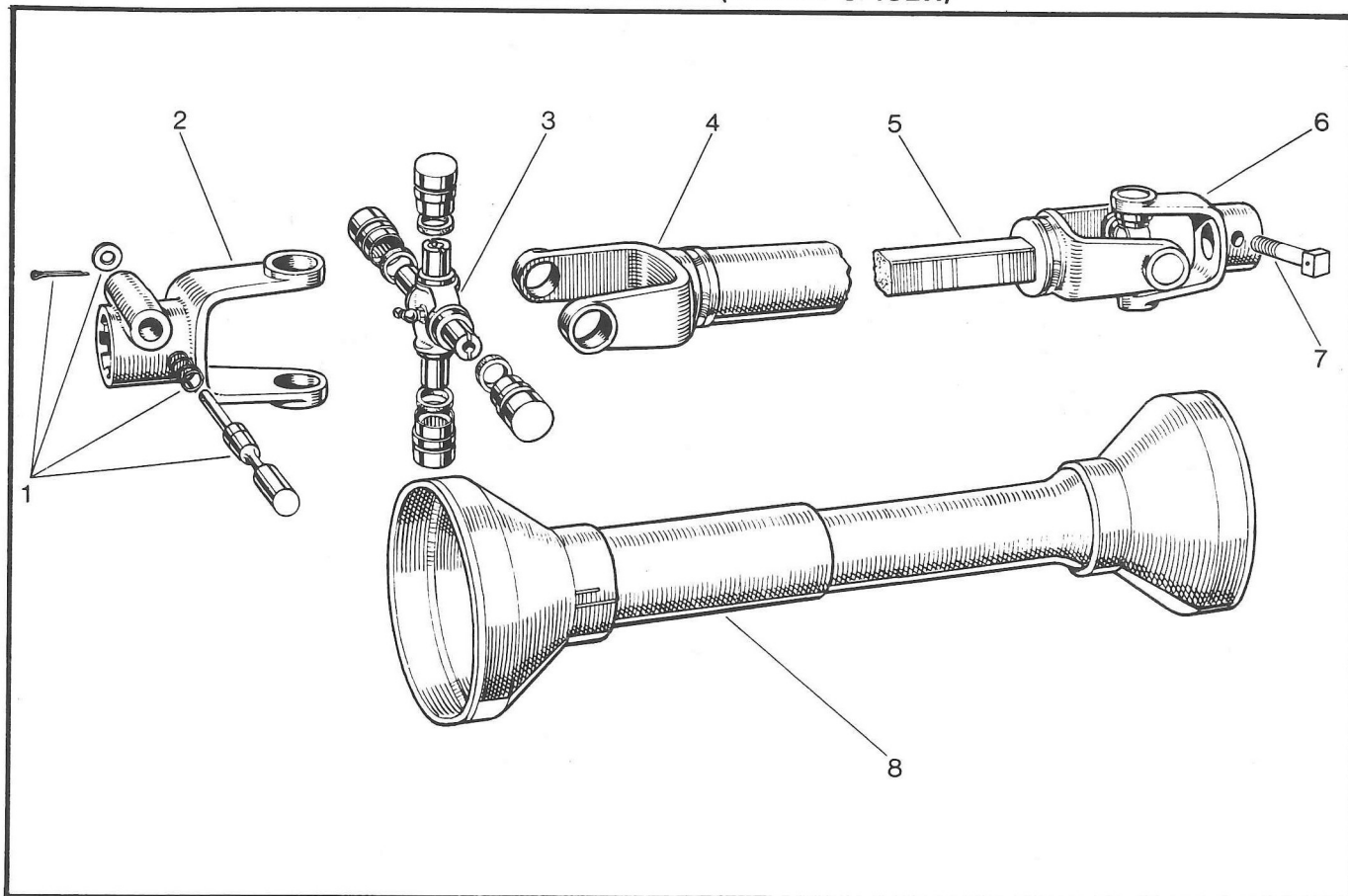
Gear Box Shaft
Splined

use Yoke No. SW.897

ITEM No.	PART No.	PART NAME	Quantity
1	SW.896	Push Button Set	2
2	SW.897	Outer Yoke	2
3	SW.900	Grease Nipple	2
4	SW.898	Cross Journal	2
5	SW.899	Circlip	8
6	SW.901	Outer Tube Yoke	1
7	SW.902	Outer Tube Pin	1

ITEM No.	PART No.	PART NAME	Quantity
8	SW.903	Outer Tube	1
9	SW.904	Inner Tube	1
10	SW.906	Inner Tube Yoke	1
11	SW.905	Inner Tube Pin	1
12	SW.907	Chain	1
13	SW.908	Safety Guard	1

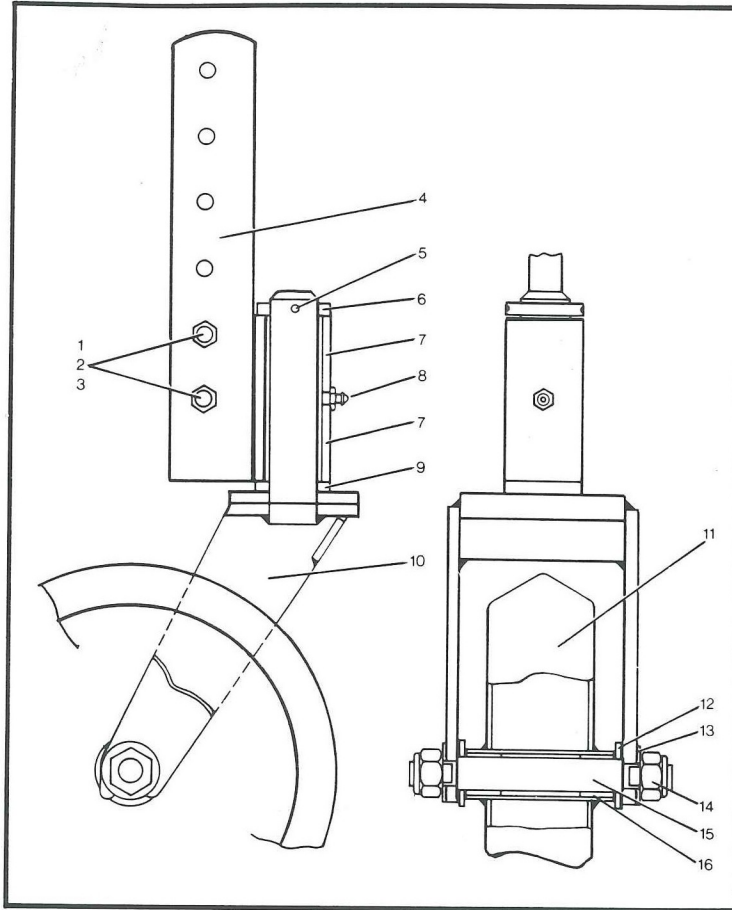
P.T.O. SHAFT SW.879 (HARDY SPICER)



ITEM No.	PART No.	PART NAME	Quantity
1	SK.3281/E	Quick Release Pin Kit	1
2	K3.4.GB2121	Splined Yoke 1.3/8"	1
3	K5.LGB182	Spider Assembly	2
4	3EX3536.T.1201	Yoke Tube Assembly	1

ITEM No.	PART No.	PART NAME	Quantity
5	4EX3536.T.1201	Yoke Bar Assembly	1
6	K3.4.GB3313	Implement Yoke	1
7	SW.222	Set Screw	1
8	SW.880	Guard Complete	1

TRAILER WHEEL UNIT



ITEM No.	PART No.	PART NAME	Quantity
1	UFB.0110/40	Bolt	2
2	WR.223	Nut	2
3	W10.SH	Washer	2
4	SW.872	Height Bar (includes Bushes)	1
5	SW.871	Mills Pin	1
6	SW.860	Locking Ring	1
7	SW.859	Bush	2
8	SW.729	Grease Nipple	1
9	SW.861	Bearing	1
10	SW.814	Wheel Fork	1
11	SW.867	Wheel Assembly (includes Bushes)	1
12	W16.SH	Washer	2
13	W12.SH	Washer	2
14	SW.873	Nut	2
15	SW.866	Wheel Spindle	1
16	SW.865	Bush	2

NOTES



E.W. McCONEL Ltd.

Temeside Works, Ludlow, Shropshire, SY8 1JL, England.
Telephone: (0584) 3131. Telex 35313. Facsimile: (0584) 6463.