

ELECTRIC SWITCHBOX CONTROLS

Machines with Electric Switchbox Controls will be supplied with one of the control units shown below, the particular version will be dependent on the specification of the machine; machines fitted with cable rotor control will use the unit shown left whilst machines with electric rotor control will use the unit shown right – the only differences between the units is that the latter has 2 additional switches fitted for operation of the electric rotor control.



LOCATION & FUNCTION OF CONTROLS

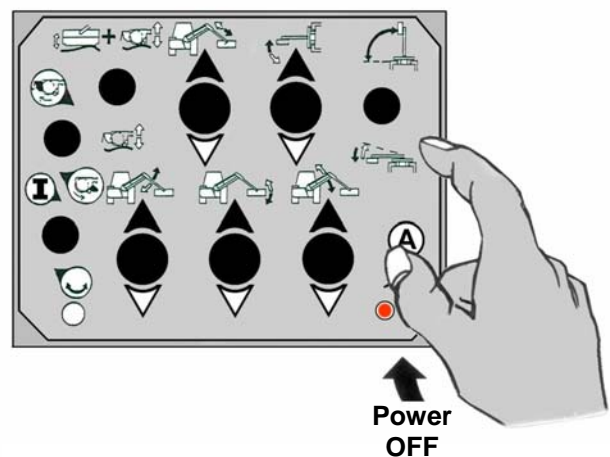
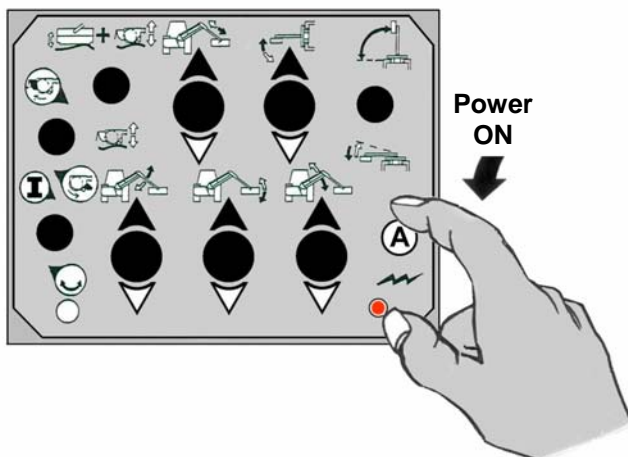
- | | |
|--|--|
| <ul style="list-style-type: none"> 1. Arm Lift Control 2. Arm Reach Control 3. Flailhead Angle Control 4. Arm Slew Control 5. Tele/Midcut Control (<i>Tele or Midcut models only</i>) | <ul style="list-style-type: none"> A. Power On/Off B. Auto Reset C. Head Float - Angle/Lift (Option) D. Rotor On/Off (Electric RCV models) E. Rotor Direction (Electric RCV models) |
|--|--|

Powering the Controls

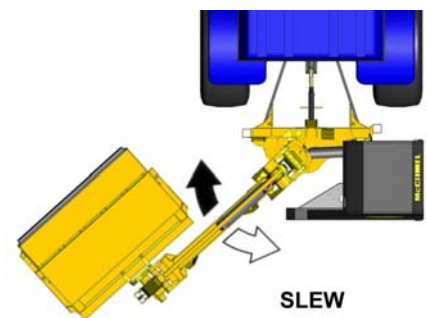
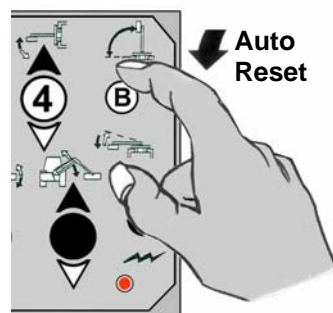
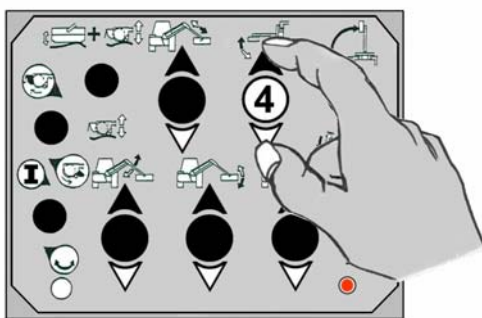
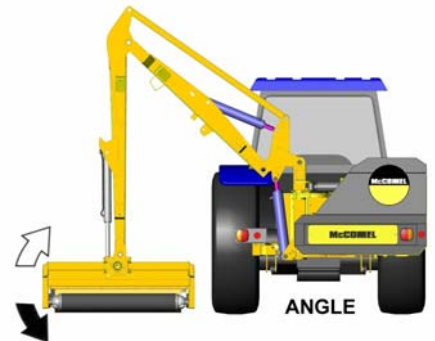
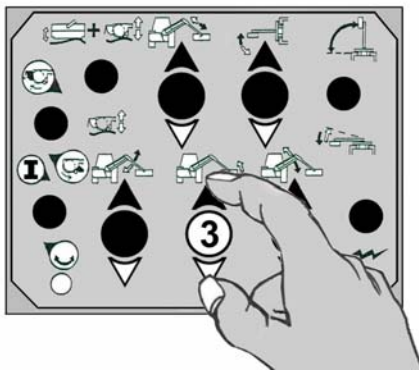
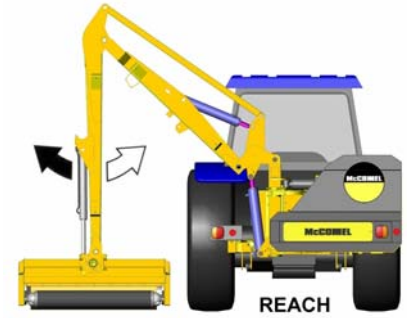
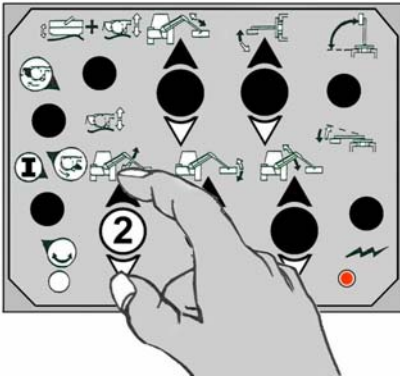
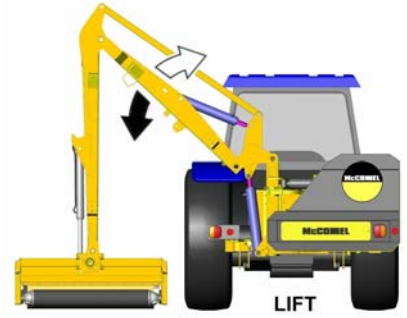
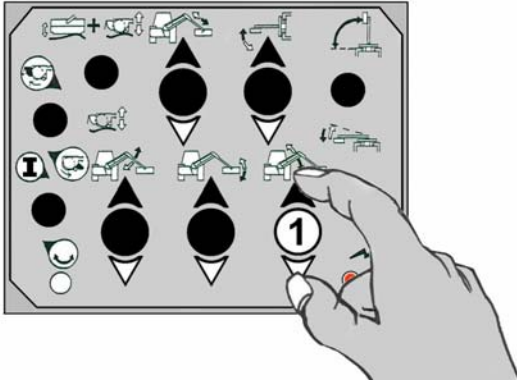
Activation of power to the control unit is by operation of switch 'A' as shown below:

Press the switch down for Power ON (LED light on)

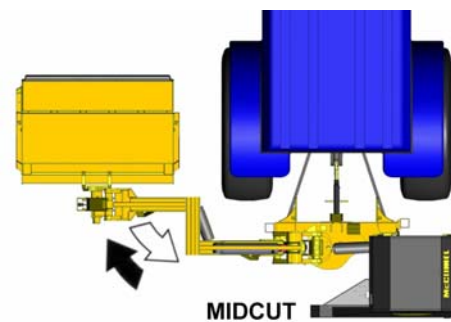
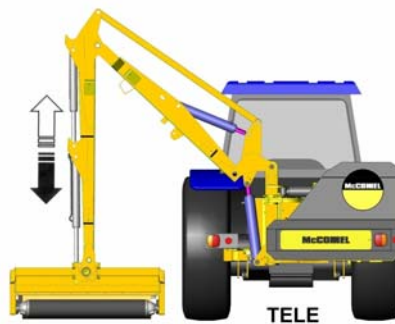
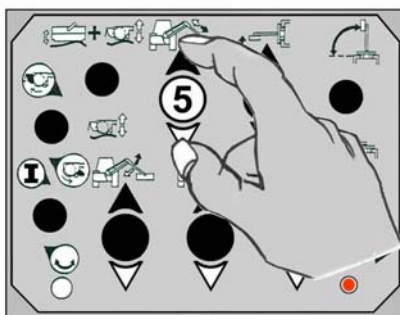
Press the switch up for Power OFF (LED light off)



ARM OPERATION



Tele or Midcut Models only



HEAD FLOAT OPERATION (Angle Float standard / Lift Float optional)

		<p>Angle Float OFF</p>	<p>Lift Float OFF</p>
		<p>Angle Float OFF</p>	<p>Lift Float ON</p>
		<p>Angle Float ON</p>	<p>Lift Float ON</p>

ROTOR OPERATION – Electric Rotor Control Models only

NOTE: The following section relates to machines with Electric Rotor Control only – for Cable Rotor Control models refer to the cable rotor control section.

Selection of Rotor Cutting Direction

Uphill Cutting

--	--	--

Downhill Cutting

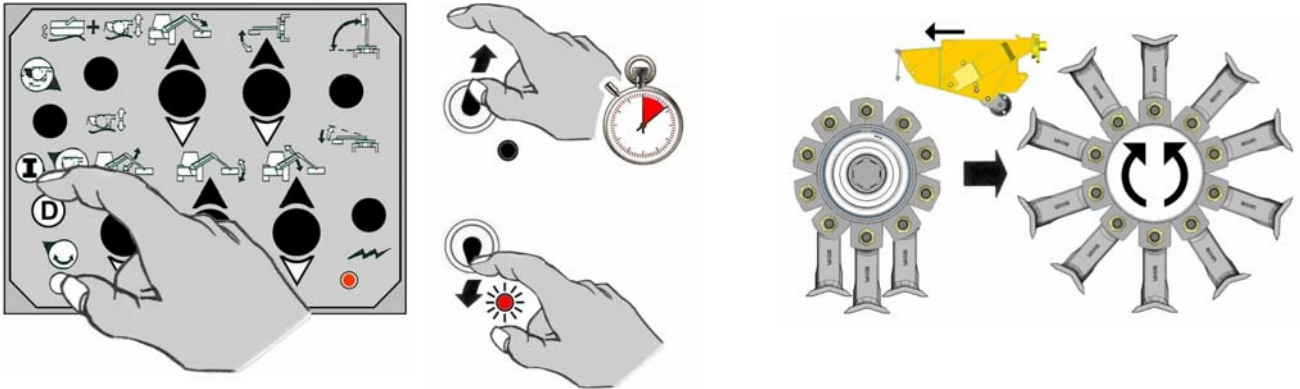
--	--	--

Switching the Rotor On

For safety reasons, to prevent accidental starting of the rotor, the 'Rotor On' switch cannot be activated in a single operation or without first selecting the direction of cut – the procedure for starting the rotor is as follows:

Select the required cutting direction - the Rotor On/Off Switch (D) must then be switched upwards and held in position for a minimum of 8 seconds before switching it into the fully down 'on' position where it will remain until it is switched off. When the switch is moved to the down position the red LED light below the switch will be lit to signify the rotor is on – if the LED does not light the switch was not held in its up position for long enough and the rotor will not have started, repeat the process again holding the switch upwards for a longer period.

Rotor Start



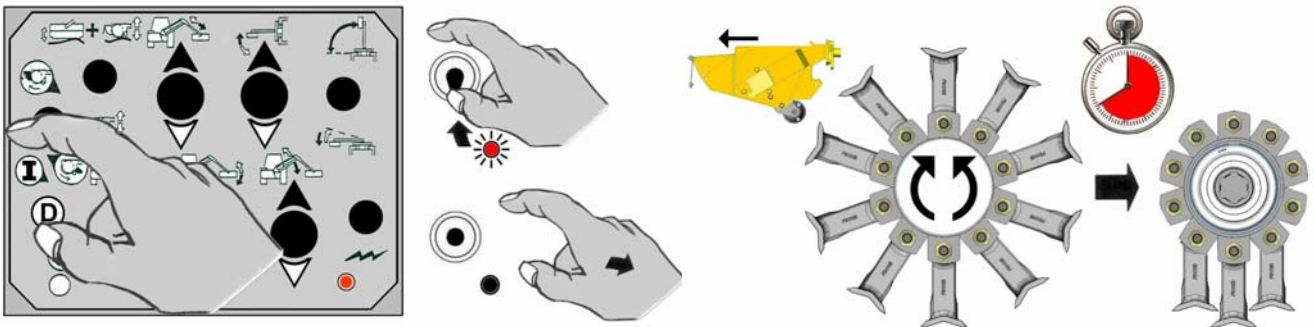
Switching the Rotor Off

Stopping the rotor is performed by switching either the Rotor Power Switch (D) or the Rotor Direction Switch (E) to the central (off) position – the red LED light will go out to signify the rotor has been switched off.

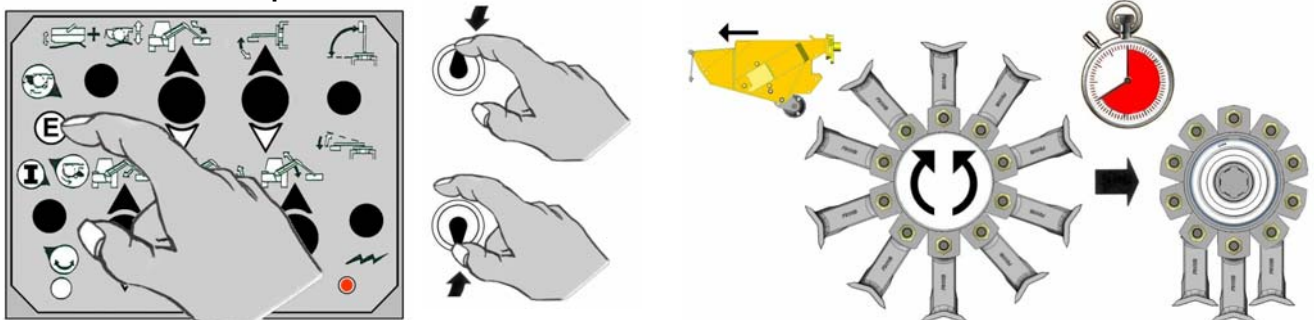


CAUTION: When the rotor is switched off it will continue to 'freewheel' under its own momentum for up to 40 seconds before finally coming to a standstill – do not leave the tractor cab or attempt to approach the flailhead until the rotor has stopped turning completely.

Rotor Stop



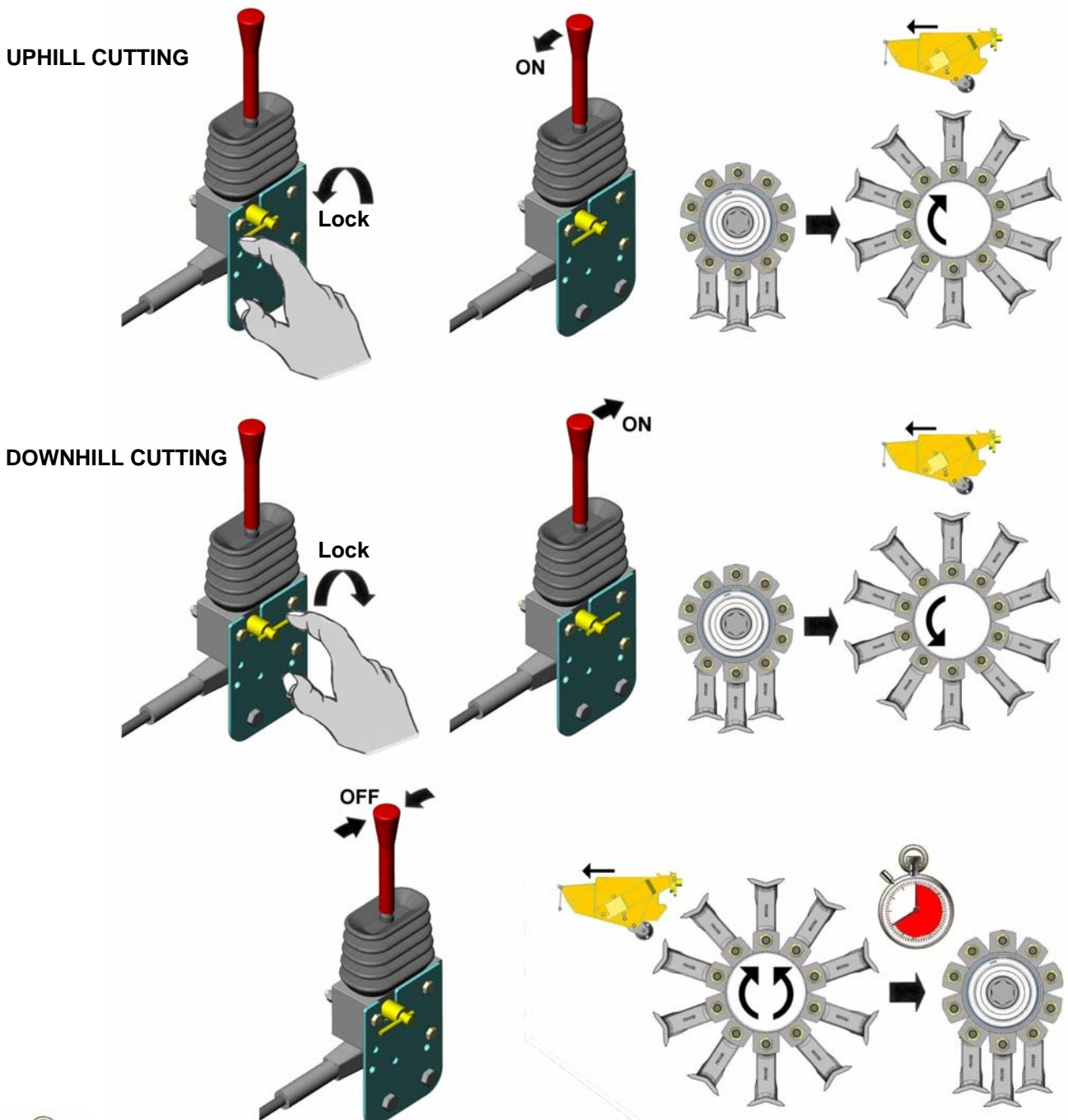
Alternative Rotor Stop



CABLE ROTOR CONTROL

On cable rotor control machines the rotor is operated by the lever shown below – from the upright 'off' position pushing the lever forward switches the rotor on for downhill cutting and pulling the lever backwards switches the rotor on for uphill cutting. The small pivot locking lever mounted on the side of the control assembly rotates through 180° to lock the rotor in a specific cutting direction – this is a safety feature to avoid changes of rotor direction without first stopping the rotor. To change the direction of cut the rotor lever must be placed in the upright 'off' position; when the rotor has stopped rotating completely the pivot locking lever can be turned to the opposing position allowing the control lever to be operated for opposite cutting direction.

On some cable operated machines the rotor control lever will be assembled as part of the main bank of controls, whereas on others and all electric models it will be supplied as a 'standalone' unit with its own mounting bracket.



CAUTION: Ensure the rotor has stopped turning completely before attempting to change direction - When switched off a rotor can continue to 'freewheel' under its own momentum for up to 40 seconds before stopping.