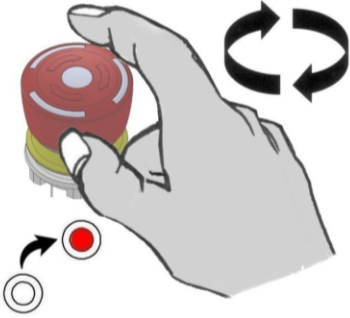




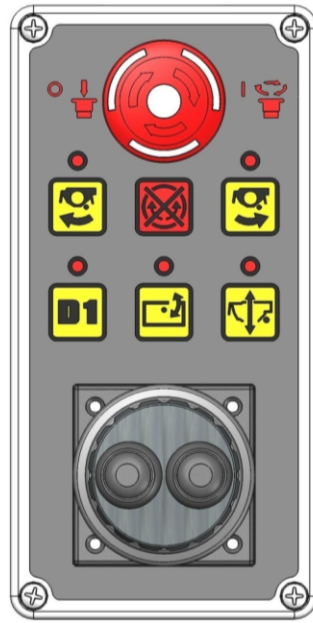
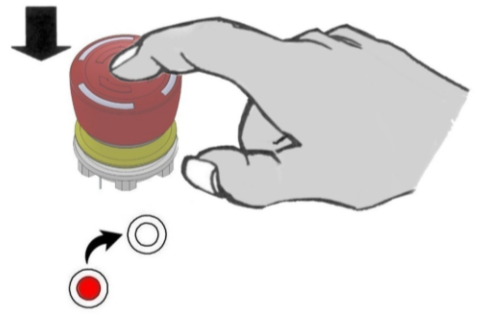
MINI MOTION CONTROLS
Operation Manual
VERSI Machines

MINI MOTION CONTROLS – VERSI Machines

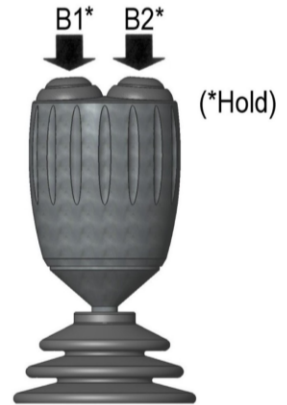
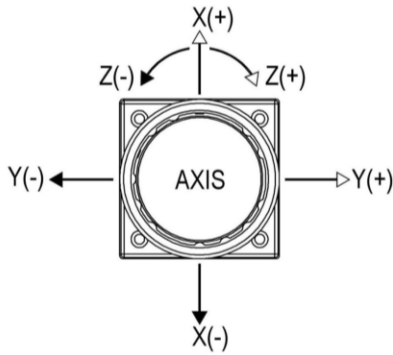
Power ON



Power OFF / EMERGENCY STOP



Default Control:
 X Axis: Lift Operation
 Y Axis: Reach Operation
 Z Axis: Angle Operation
 B1+Z Axis: Slew Operation
 B2+Y Axis: 5th Service



Power ON Button
(Emergency STOP)

Rotor START
(Uphill)

Diverter
6th Service Activation

Joystick

Joystick
Button #1

Power LED

Rotor START
(Downhill)

Rotor STOP

Lift Float

Angle Float

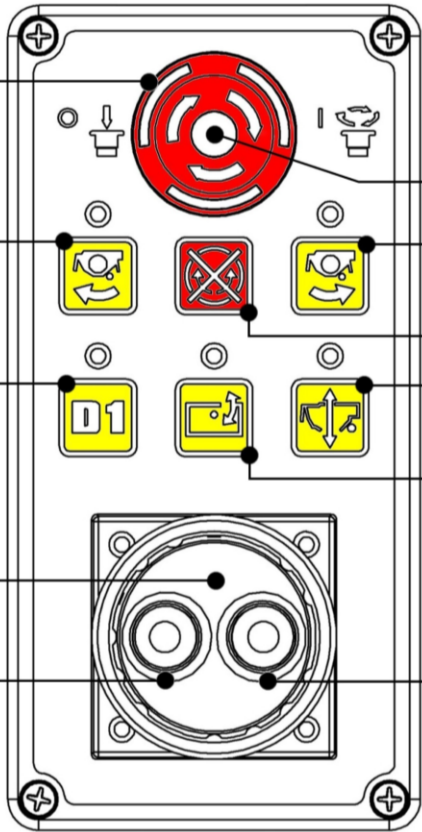
LED's : Function Status

○ Deactivated

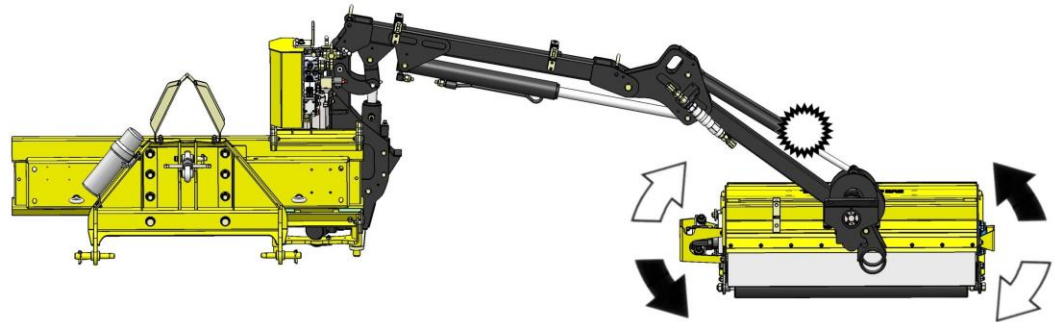
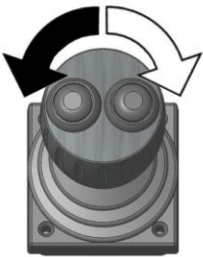
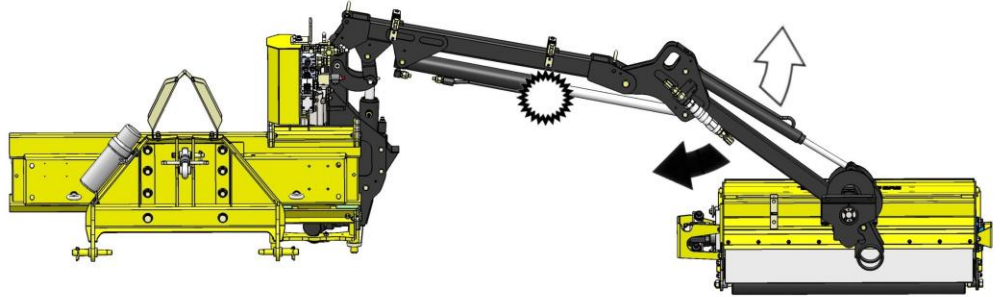
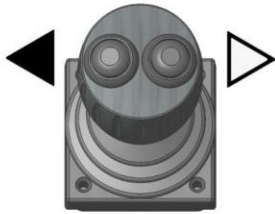
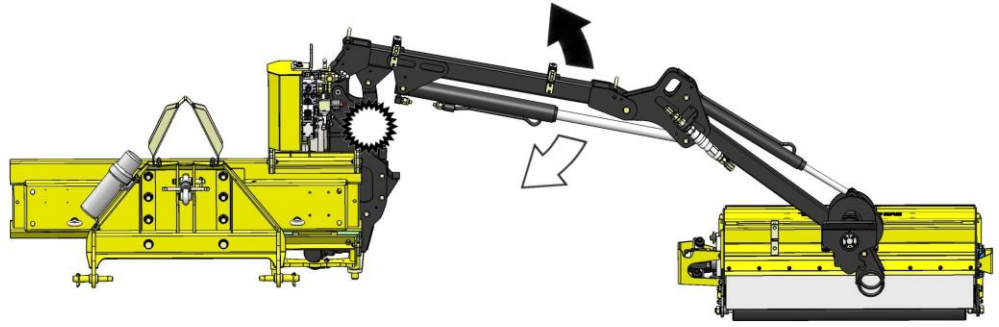
● Active

⊗ Temporarily deactivated

Joystick
Button #2



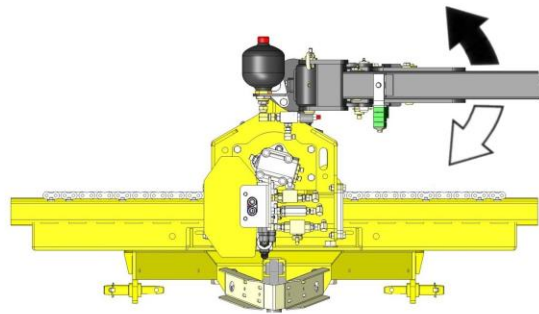
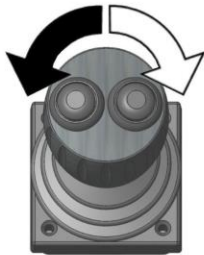
Arm Operation Controls



B1*
*Press & Hold



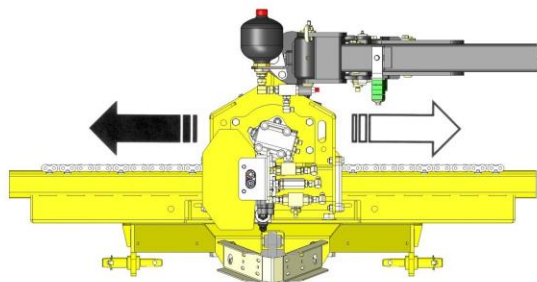
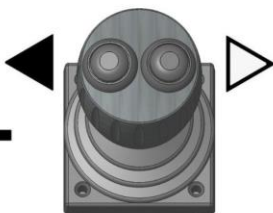
+












B2*
*Press & Hold



+

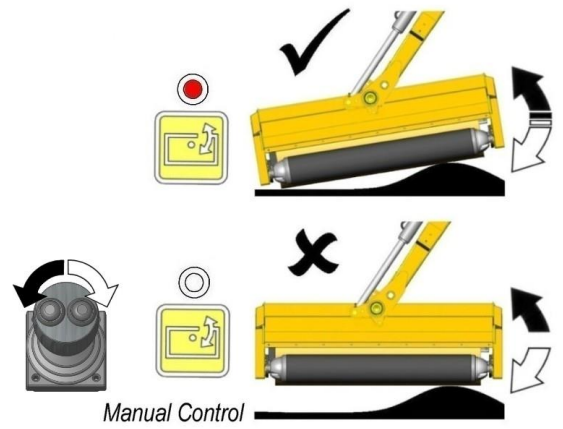
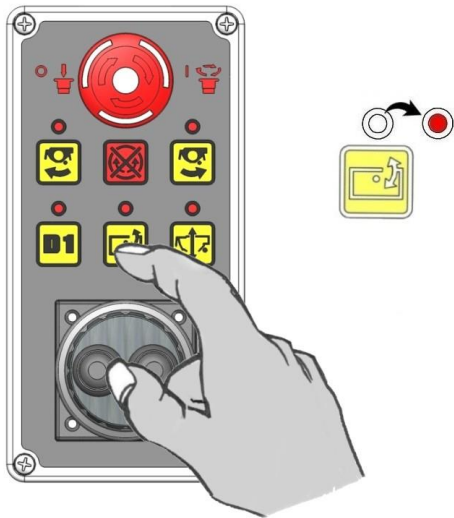


Keypad Control Buttons

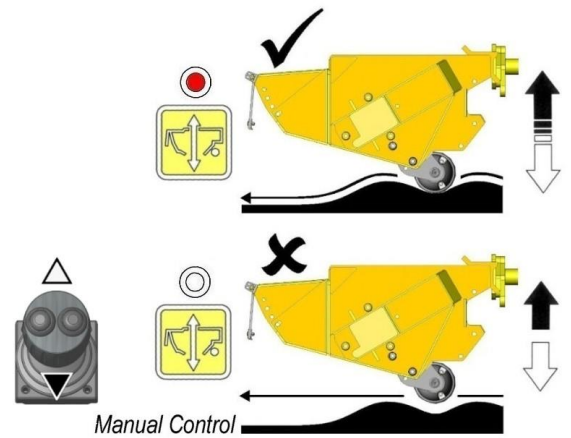
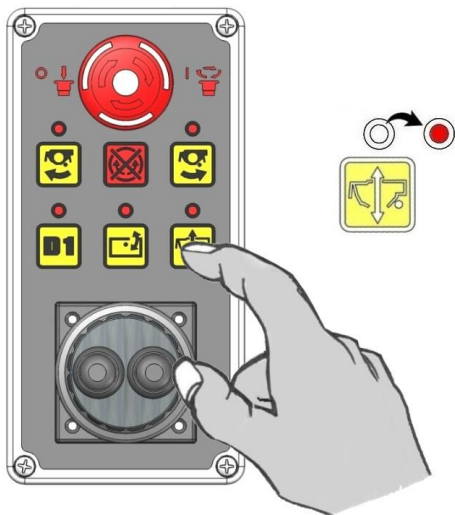
Button	Function	Control Operation
	Angle Float ON/OFF	Pressing the button will switch Angle Float function ON/OFF.
	Lift Float ON/ OFF	Pressing the button will switch Lift Float function ON/OFF.
	Rotor START (Uphill Direction).	Press to START rotor in uphill direction. <i>8 second delay for direction change.</i>
	Rotor START (Downhill Direction).	Press to start rotor in downhill direction. <i>8 second delay for direction change.</i>
	Rotor STOP.	Press to stop rotor. <i>Press first before direction change.</i>
	Diverter: 6 th Service Activation	Press to switch 6 th Service ON/OFF.
	Function status - OFF.	LED Light for specific control OFF.
	Function status - ON.	LED Light for specific control ON.
	Function status - Temporarily deactivated.	LED Light for specific control FLASHING.

FLOAT OPERATION

Angle Float ON/OFF

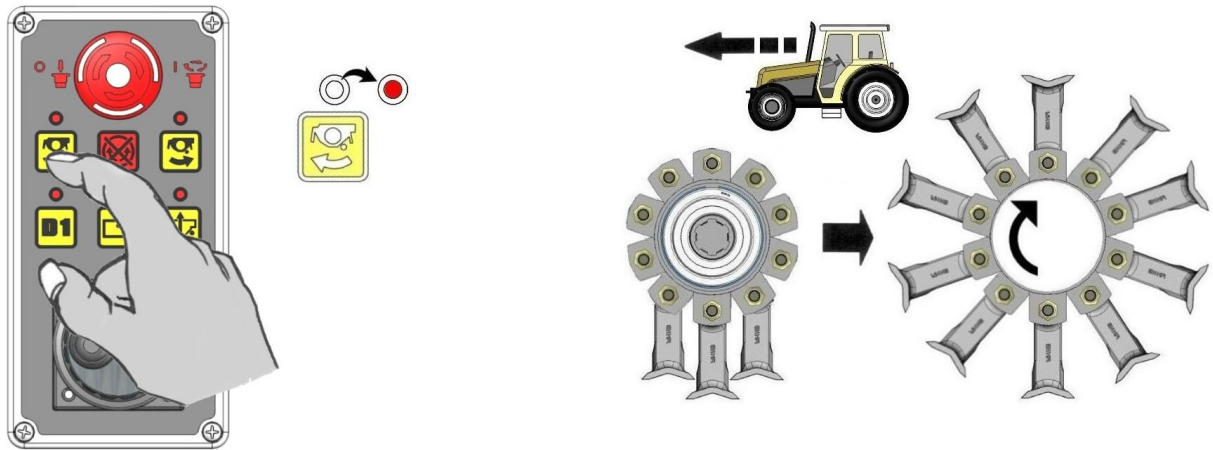


Lift Float ON/OFF

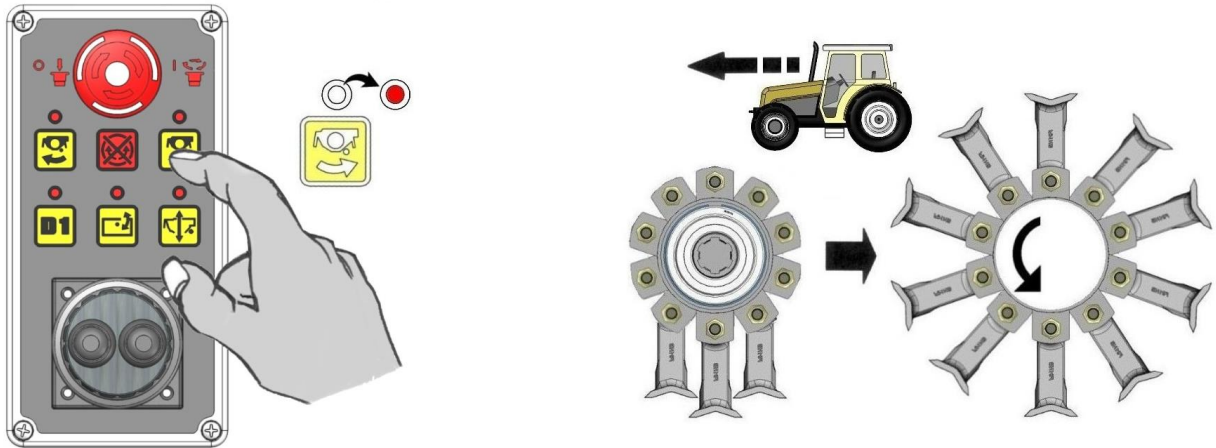


ROTOR OPERATION

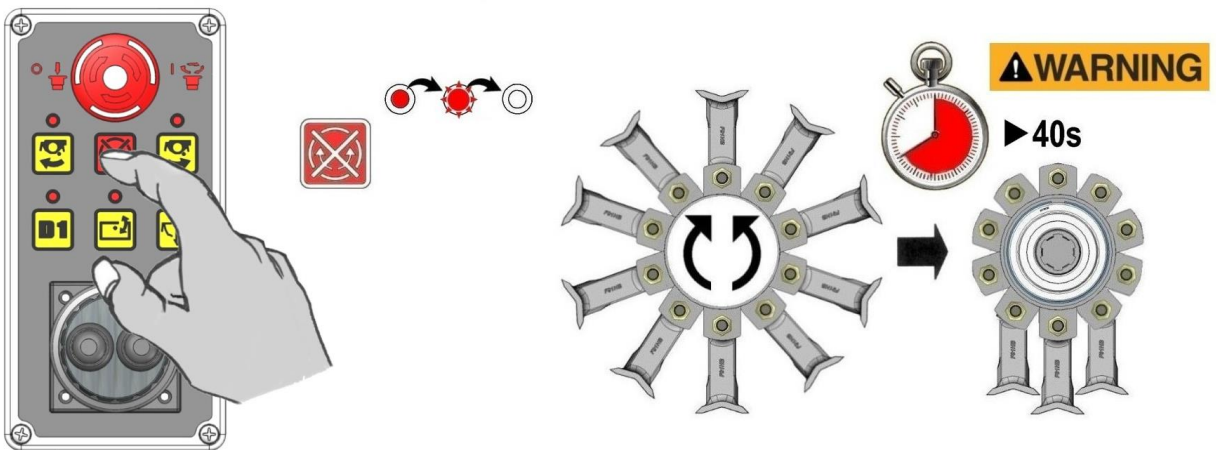
Rotor Start - Uphill Cutting



Rotor Start - Downhill Cutting



Rotor Stop (Uphill or Downhill)



WARNING



When the rotor is switched off it will continue to 'freewheel' under its own momentum for up to 40 seconds before finally coming to a standstill – do not leave the tractor cab or attempt to approach the flailhead until the rotor has stopped turning completely.



McConnel Limited, Temeside Works, Ludlow, Shropshire SY8 1JL. England.
Telephone: 01584 873131. Facsimile: 01584 876463. www.mcconnel.com