

**1.2 Metre  
Supercut Flailhead  
54HP & 65HP  
Operation & Parts Manual**

# IMPORTANT

## VERIFICATION OF WARRANTY REGISTRATION



### DEALER WARRANTY INFORMATION & REGISTRATION VERIFICATION

It is imperative that the selling dealer registers this machine with McConnel Limited before delivery to the end user – failure to do so may affect the validity of the machine warranty.

To register machines go to the McConnel Limited web site at [www.mcconnel.com](http://www.mcconnel.com), log onto 'Dealer Inside' and select the 'Machine Registration button' which can be found in the Service Section of the site. Confirm to the customer that the machine has been registered in the section below.

Should you experience any problems registering a machine in this manner please contact the McConnel Service Department on 01584 875848.

#### Registration Verification

Dealer Name: .....
Dealer Address: .....
Customer Name: .....
Date of Warranty Registration: ...../...../..... Dealer Signature: .....

#### NOTE TO CUSTOMER / OWNER

*Please ensure that the above section above has been completed and signed by the selling dealer to verify that your machine has been registered with McConnel Limited.*

**IMPORTANT:** During the initial 'bedding in' period of a new machine it is the customer's responsibility to regularly inspect all nuts, bolts and hose connections for tightness and re-tighten if required. New hydraulic connections occasionally weep small amounts of oil as the seals and joints settle in – where this occurs it can be cured by re-tightening the connection – *refer to torque settings chart below*. The tasks stated above should be performed on an hourly basis during the first day of work and at least daily thereafter as part of the machines general maintenance procedure.

#### TORQUE SETTINGS FOR HYDRAULIC FITTINGS

HYDRAULIC HOSE ENDS		
BSP	Setting	Metric
1/4"	18 Nm	19 mm
3/8"	31 Nm	22 mm
1/2"	49 Nm	27 mm
5/8"	60 Nm	30 mm
3/4"	80 Nm	32 mm
1"	125 Nm	41 mm
1.1/4"	190 Nm	50 mm
1.1/2"	250 Nm	55 mm
2"	420 Nm	70 mm

PORT ADAPTORS WITH BONDED SEALS		
BSP	Setting	Metric
1/4"	34 Nm	19 mm
3/8"	47 Nm	22 mm
1/2"	102 Nm	27 mm
5/8"	122 Nm	30 mm
3/4"	149 Nm	32 mm
1"	203 Nm	41 mm
1.1/4"	305 Nm	50 mm
1.1/2"	305 Nm	55 mm
2"	400 Nm	70 mm



# WARRANTY POLICY

## WARRANTY REGISTRATION

All machines must be registered, by the selling dealer with McConnel Ltd, before delivery to the end user. On receipt of the goods it is the buyer's responsibility to check that the Verification of Warranty Registration in the Operator's Manual has been completed by the selling dealer.

### 1. LIMITED WARRANTIES

- 1.01. *All mounted machines supplied by McConnel Ltd are warranted to be free from defects in material and workmanship from the date of sale to the original purchaser for a period of 12 months, unless a different period is specified.  
All Self Propelled Machines supplied by McConnel Ltd are warranted to be free from defects in material and workmanship from the date of sale to the original purchaser for a period of 12 months or 1500 hours. Engine warranty will be specific to the Manufacturer of that unit.*
- 1.02. *All spare parts supplied by McConnel Ltd and purchased by the end user are warranted to be free from defects in material and workmanship from the date of sale to the original purchaser for a period of 6 months. All parts warranty claims must be supported by a copy of the failed part invoice to the end user. We cannot consider claims for which sales invoices are not available.*
- 1.03. *The warranty offered by McConnel Ltd is limited to the making good by repair or replacement for the purchaser any part or parts found, upon examination at its factory, to be defective under normal use and service due to defects in material or workmanship. Returned parts must be complete and unexamined. Pack the component(s) carefully so that any transit damage is avoided. All ports on hydraulic items should be drained of oil and securely plugged to prevent seepage and foreign body ingress. Certain other components, electrical items for example, may require particular care when packing to avoid damage in transit.*
- 1.04. *This warranty does not extend to any product from which McConnel Ltd's serial number plate has been removed or altered.*
- 1.05. *The warranty policy is valid for machines registered in line with the terms and conditions detailed and on the basis that the machines do not extend a period of 24 months or greater since their original purchase date, that is the original invoice date from McConnel Limited.  
Machines that are held in stock for more than 24 months cannot be registered for warranty.*
- 1.06. *This warranty does not apply to any part of the goods, which has been subjected to improper or abnormal use, negligence, alteration, modification, fitment of non-genuine parts, accident damage, or damage resulting from contact with overhead power lines, damage caused by foreign objects (e.g. stones, iron, material other than vegetation), failure due to lack of maintenance, use of incorrect oil or lubricants, contamination of the oil, or which has served its normal life. This warranty does not apply to any expendable items such as blades, belts, clutch linings, filter elements, flails, flap kits, skids, soil engaging parts, shields, guards, wear pads, pneumatic tyres or tracks.*
- 1.07. *Temporary repairs and consequential loss - i.e. oil, downtime and associated parts are specifically excluded from the warranty.*
- 1.08. *Warranty on hoses is limited to 12 months and does not include hoses which have suffered external damage. Only complete hoses may be returned under warranty, any which have been cut or repaired will be rejected.*
- 1.09. *Machines must be repaired immediately a problem arises. Continued use of the machine after a problem has occurred can result in further component failures, for which McConnel Ltd cannot be held liable, and may have safety implications.*
- 1.10. *If in exceptional circumstances a non McConnel Ltd part is used to effect a repair, warranty reimbursement will be at no more than McConnel Ltd's standard dealer cost for the genuine part.*

- 1.11. *Except as provided herein, no employee, agent, dealer or other person is authorised to give any warranties of any nature on behalf of McConnell Ltd.*
- 1.12. *For machine warranty periods in excess of 12 months the following additional exclusions shall apply:*
  - 1.12.1. *Hoses, exposed pipes and hydraulic tank breathers.*
  - 1.12.2. *Filters.*
  - 1.12.3. *Rubber mountings.*
  - 1.12.4. *External electric wiring.*
  - 1.12.5. *Bearings and seals*
  - 1.12.6. *External Cables, Linkages*
  - 1.12.7. *Loose/Corroded Connections, Light Units, LED's*
  - 1.12.8. *Comfort items such as Operator Seat, Ventilation, Audio Equipment*
- 1.13. *All service work, particularly filter changes, must be carried out in accordance with the manufacturer's service schedule. Failure to comply will invalidate the warranty. In the event of a claim, proof of the service work being carried out may be required.*
- 1.14. *Repeat or additional repairs resulting from incorrect diagnosis or poor quality previous repair work are excluded from warranty.*

***NB Warranty cover will be invalid if any non-genuine parts have been fitted or used. Use of non-genuine parts may seriously affect the machine's performance and safety. McConnell Ltd cannot be held responsible for any failures or safety implications that arise due to the use of non-genuine parts.***

## **2. REMEDIES AND PROCEDURES**

- 2.01. *The warranty is not effective unless the Selling Dealer registers the machine, via the McConnell web site and confirms the registration to the purchaser by completing the confirmation form in the operator's manual.*
- 2.02. *Any fault must be reported to an authorised McConnell Ltd dealer as soon as it occurs. Continued use of a machine, after a fault has occurred, can result in further component failure for which McConnell Ltd cannot be held liable.*
- 2.03. *Repairs should be undertaken within two days of the failure. Claims submitted for repairs undertaken more than 2 weeks after a failure has occurred, or 2 days after the parts were supplied will be rejected, unless the delay has been authorised by McConnell Ltd. Please note that failure by the customer to release the machine for repair will not be accepted as a reason for delay in repair or submitting warranty claims.*
- 2.04. *All claims must be submitted, by an authorised McConnell Ltd Service Dealer, within 30 days of the date of repair.*
- 2.05. *Following examination of the claim and parts, McConnell Ltd will pay, at their discretion, for any valid claim the invoiced cost of any parts supplied by McConnell Ltd and appropriate labour and mileage allowances if applicable.*
- 2.06. *The submission of a claim is not a guarantee of payment.*
- 2.07. *Any decision reached by McConnell Ltd. is final.*

## **3. LIMITATION OF LIABILITY**

- 3.01. *McConnell Ltd disclaims any express (except as set forth herein) and implied warranties with respect to the goods including, but not limited to, merchantability and fitness for a particular purpose.*
- 3.02. *McConnell Ltd makes no warranty as to the design, capability, capacity or suitability for use of the goods.*
- 3.03. *Except as provided herein, McConnell Ltd shall have no liability or responsibility to the purchaser or any other person or entity with respect to any liability, loss, or damage caused or alleged to be caused directly or indirectly by the goods including, but not limited to, any indirect, special, consequential, or incidental damages resulting from the use or operation of the goods or any breach of this warranty. Notwithstanding the above limitations and warranties, the manufacturer's liability hereunder for damages incurred by the purchaser or others shall not exceed the price of the goods.*
- 3.04. *No action arising out of any claimed breach of this warranty or transactions under this warranty may be brought more than one (1) year after the cause of the action has occurred.*

#### **4. MISCELLANEOUS**

- 4.01. McConnel Ltd may waive compliance with any of the terms of this limited warranty, but no waiver of any terms shall be deemed to be a waiver of any other term.*
- 4.02. If any provision of this limited warranty shall violate any applicable law and is held to be unenforceable, then the invalidity of such provision shall not invalidate any other provisions herein.*
- 4.03. Applicable law may provide rights and benefits to the purchaser in addition to those provided herein.*

---

*McConnel Limited*



# DECLARATION OF CONFORMITY

*Conforming to EU Machinery Directive 2006/42/EC*

We,

**McCONNEL LIMITED**, Temeside Works, Ludlow, Shropshire SY8 1JL, UK

*Hereby declare that:*

The Product; *Hydraulic Arm Mounted Flailhead*

Product Code; *BD12, BD16, F110, F112, F115, F012, F016*

Serial No. & Date ..... Type .....

Manufactured in; *United Kingdom*


Complies with the required provisions of the Machinery Directive 2006/42/EC  
The machinery directive is supported by the following harmonized standards;

- BS EN ISO 12100 (2010) Safety of machinery – General principles for design – Risk assessment and risk reduction.
- BS EN 349 (1993) + A1 (2008) Safety of machinery - Minimum distances to avoid the entrapment with human body parts.
- BS EN ISO 14120 (2015) Safety of machinery - Guards general requirements for the design and construction of fixed and movable guards.
- BS EN 4413 (2010) Hydraulic fluid power. Safety requirements for systems and their components.

McCONNEL LIMITED operates an ISO 9001:2008 quality management system, certificate number: FM25970.

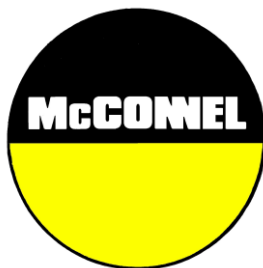
This system is continually assessed by the;

British Standards Institution (BSI), Beech House, Milton Keynes, MK14 6ES, UK  
BSI is accredited by UK Accreditation Service, accreditation number: UKAS 003.  
The EC declaration only applies if the machine stated above is used in accordance with the operating instructions.

Signed  ..... *Responsible Person*  
*CHRISTIAN DAVIES on behalf of McCONNEL LIMITED*

Status: *General Manager*

Date: *January 2018*



*For Safety and Performance...*

**ALWAYS READ THE BOOK FIRST**

**McCONEL LIMITED**

**Temeside Works  
Ludlow  
Shropshire  
England**

**Telephone: +44 (0)1584 873131  
www.mcconel.com**

---

**- NOISE STATEMENT -**

The equivalent daily personal noise exposure from this machine measured at the operators' ear is within the range 78 – 85 dB, these figures apply to a normal distribution of use where the noise fluctuates between zero and maximum. The figures assume that the machine is fitted to a tractor with a 'quiet' cab with the windows closed in a generally open environment. We recommend that the windows are kept closed. With the cab rear window open the equivalent daily personal noise exposure will increase to a figure within the range 82 – 88 dB. At an equivalent daily noise exposure level of 85 – 90 dB ear protection is recommended and must always be used if any window is left open.



Operating, servicing and maintaining this equipment can expose you to chemicals including gasoline, diesel fuel, lubricants, petroleum products, engine exhaust, carbon monoxide, and phthalates, which are known to the State of California to cause cancer and birth defects or other reproductive harm. To minimize exposure, avoid breathing exhaust, do not idle the engine except as necessary, service your vehicle in a well-ventilated area and wear gloves or wash your hands frequently when servicing your vehicle. Battery posts, terminals and related accessories contain lead and lead compounds, chemicals known to the state of California to cause cancer, birth defects or other reproductive harm. For more information go to [www.P65Warnings.ca.gov](http://www.P65Warnings.ca.gov). This website, operated by California's Office of Environmental Health Hazard Assessment, provides information about these chemicals and how individuals may be exposed to them.





## GENERAL INFORMATION

---

Always read this manual before fitting or operating the machine – whenever any doubt exists contact your dealer or the McConnel Service Department for advice and assistance.

### **Use only McConnel Genuine Service Parts on McConnel Equipment and Machines**

**DEFINITIONS** – *The following definitions apply throughout this manual:*

#### **WARNING**

An operating procedure, technique etc., which –  
can result in personal injury or loss of life if not observed carefully.

#### **CAUTION**

An operating procedure, technique etc., which –  
can result in damage to either machine or equipment if not observed carefully.

#### **NOTE**

An operating procedure, technique etc., which –  
is considered essential to emphasis.

#### **LEFT AND RIGHT HAND**

This term is applicable to the machine when attached to the tractor and is viewed  
from the rear – this also applies to tractor references.

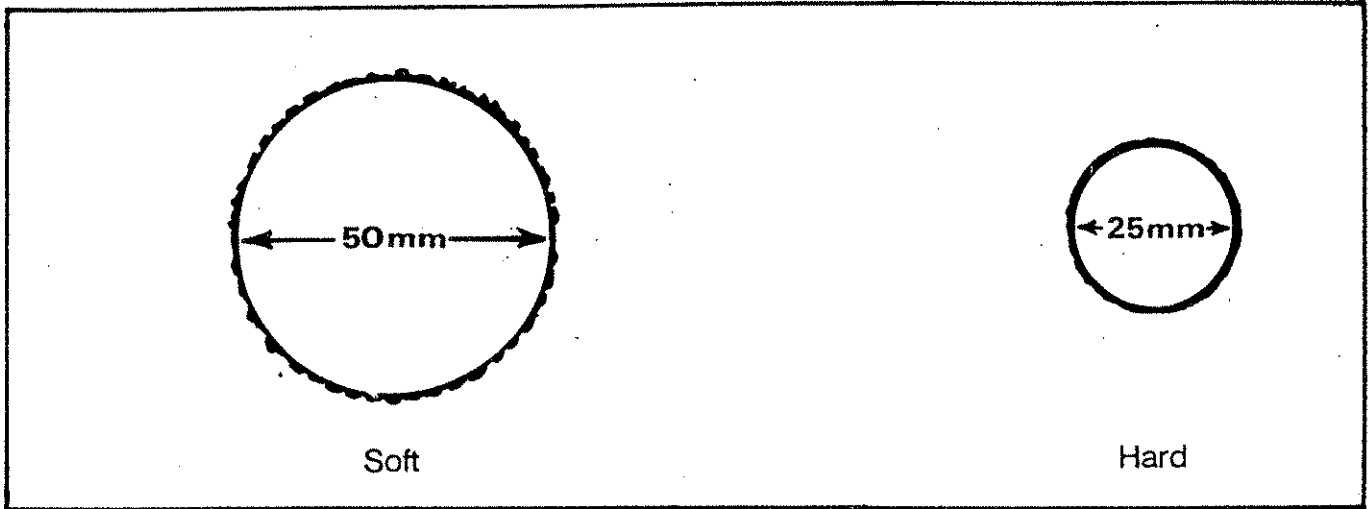
## MACHINE & DEALER INFORMATION

*Record the Serial Number of your machine on this page and always quote this number when ordering parts. Whenever information concerning the machine is requested remember also to state the make and model of tractor to which the machine is fitted.*

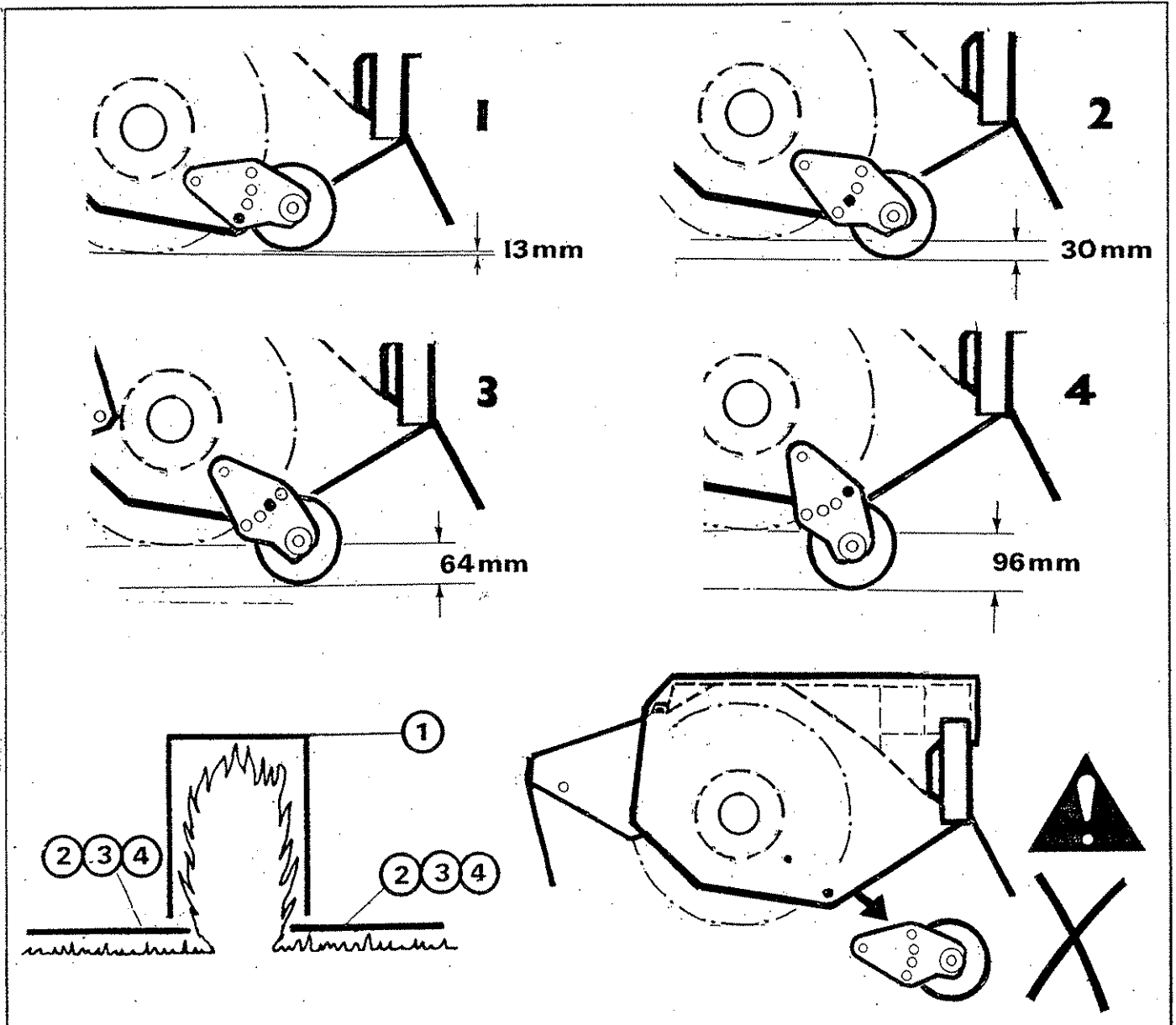
Machine Serial Number:	Installation Date:
Machine Model details:	
Dealer Name:	
Dealer Address:	
Dealer Telephone No:	
Dealer Email Address:	

# OPERATION

## MATERIAL THICKNESS CUTTING LIMITATIONS

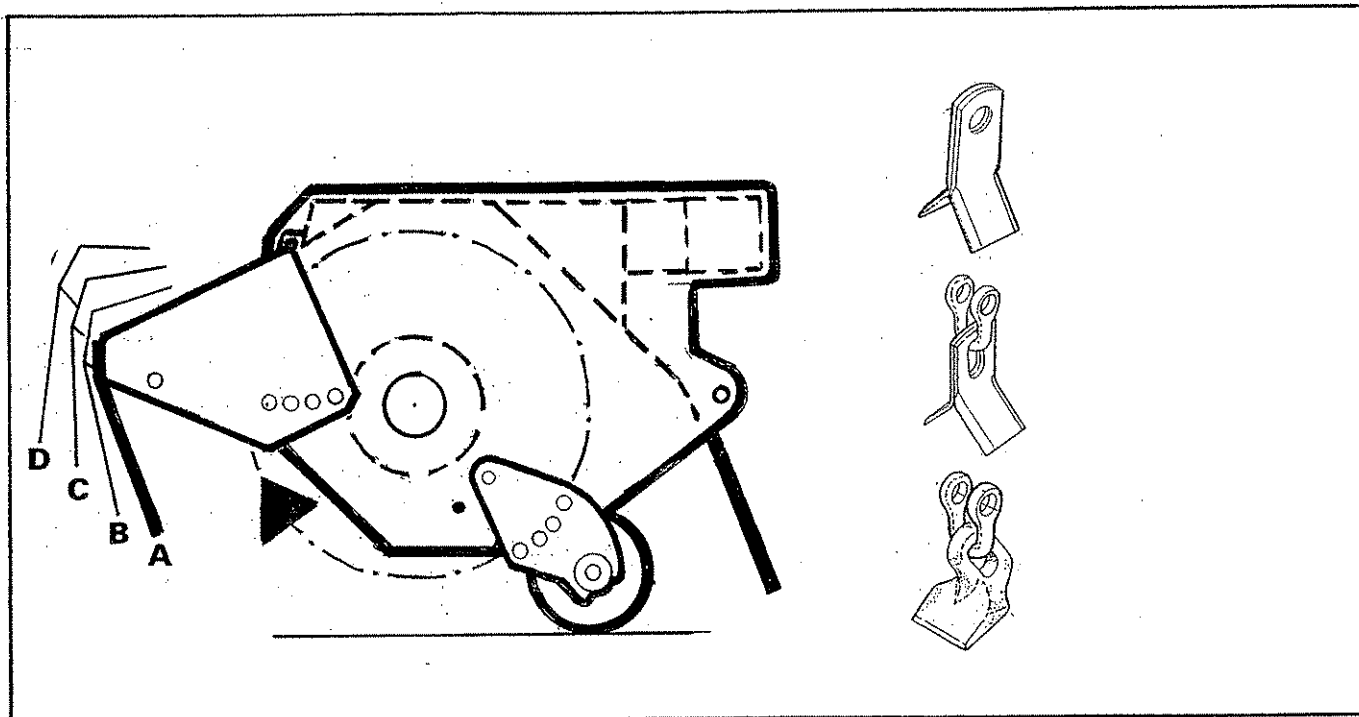


## ROLLER POSITION



# FLAILHEAD ARRANGEMENT

## MOWING



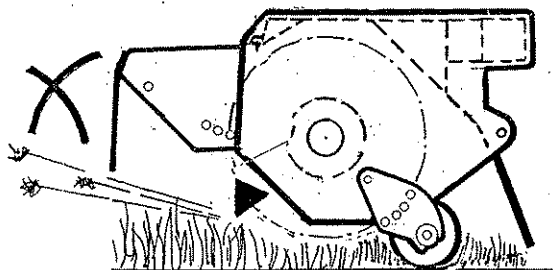
When mowing the rotor must always cut with an upwards rotation.

When mowing the roller must always be set below the level of the skid or the rotor if skids are not fitted i.e. in positions 2 - 4 .

The front hood has four adjustment positions for height. The lowest possible position which allows the material to be cut to enter the head should always be used.

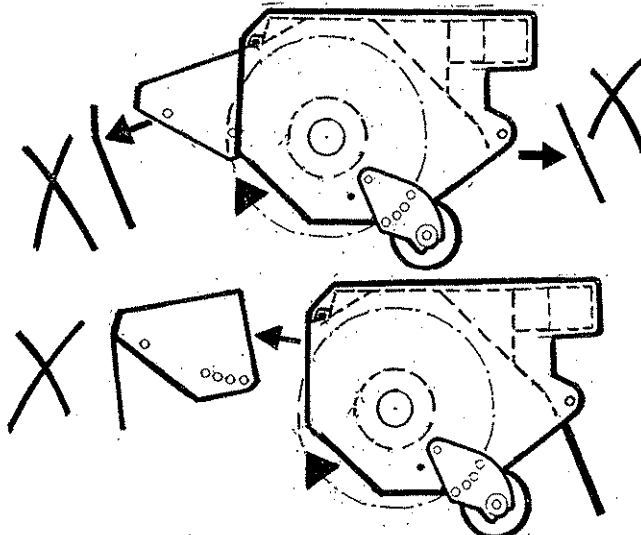
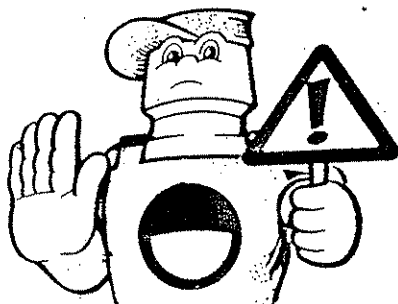
### WARNING

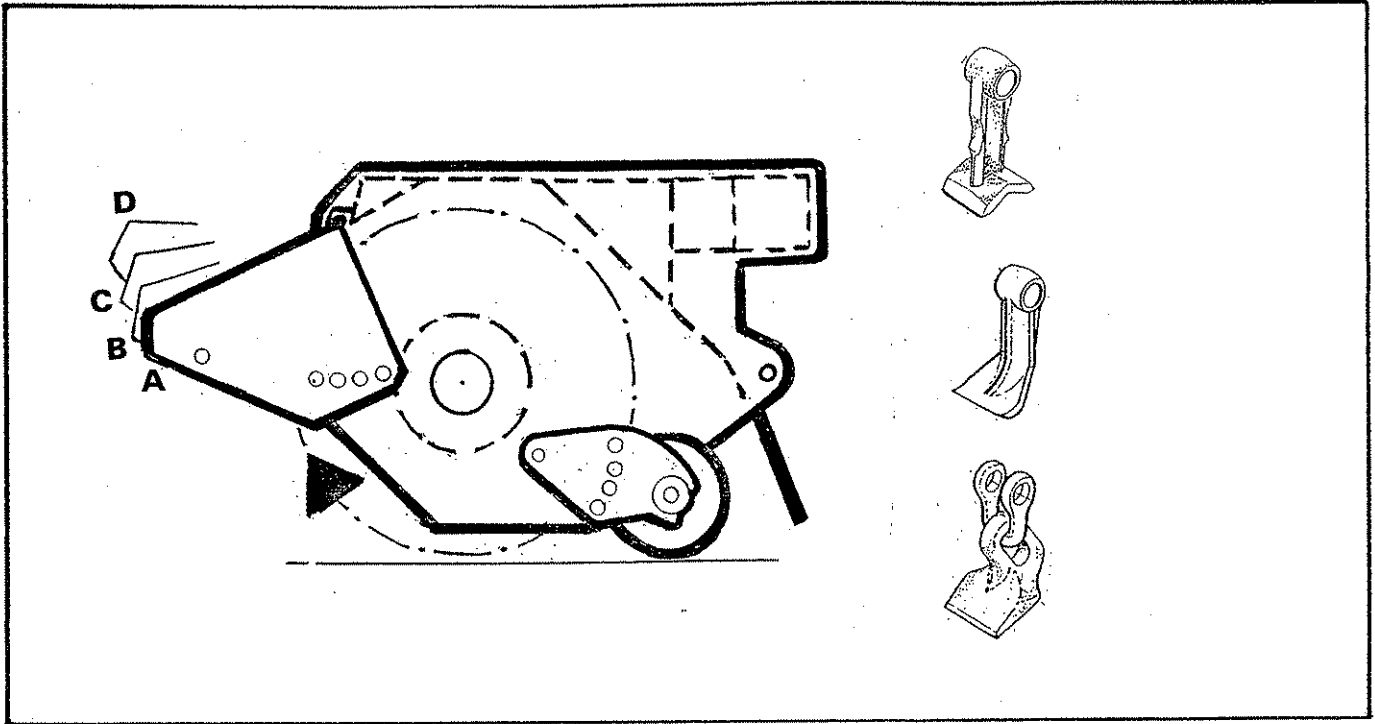
Raising the front hood increases the possibility of debris escaping. Never operate the machine with the front hood set any higher than is absolutely necessary.



### WARNING

Do not remove any guarding under any circumstance during operation.





For the best finish the rotor should cut with an upwards rotation.

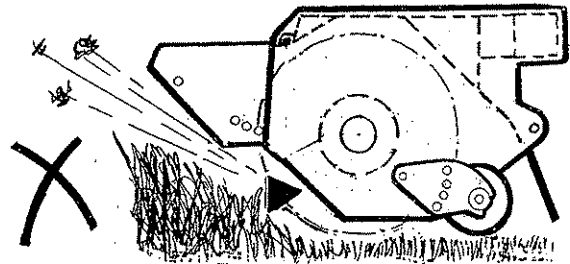
The roller should be set slightly above the rotor i.e. in position 1.

On universal heads the front rubber flaps and skids if fitted, may be removed to aid the entry of the material to be cut into the flail head.

The front hood has four adjustment positions for height. The lowest position which allows the material to be cut to enter the flail head should always be used.

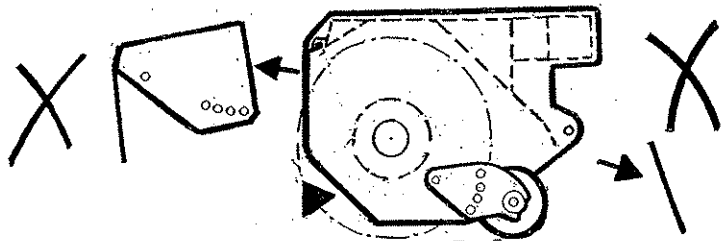
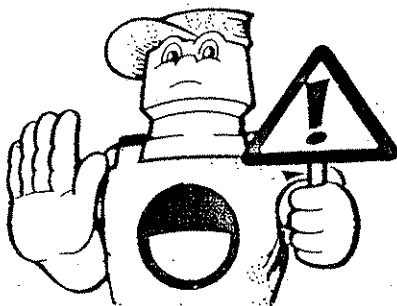
**WARNING**

Raising the front hood increases the possibility of debris escaping. Never operate the machine with the front hood set any higher than is absolutely necessary.



**WARNING**

Do not remove any guarding under any circumstance during operation.



# MAINTENANCE

## FLAILHEAD

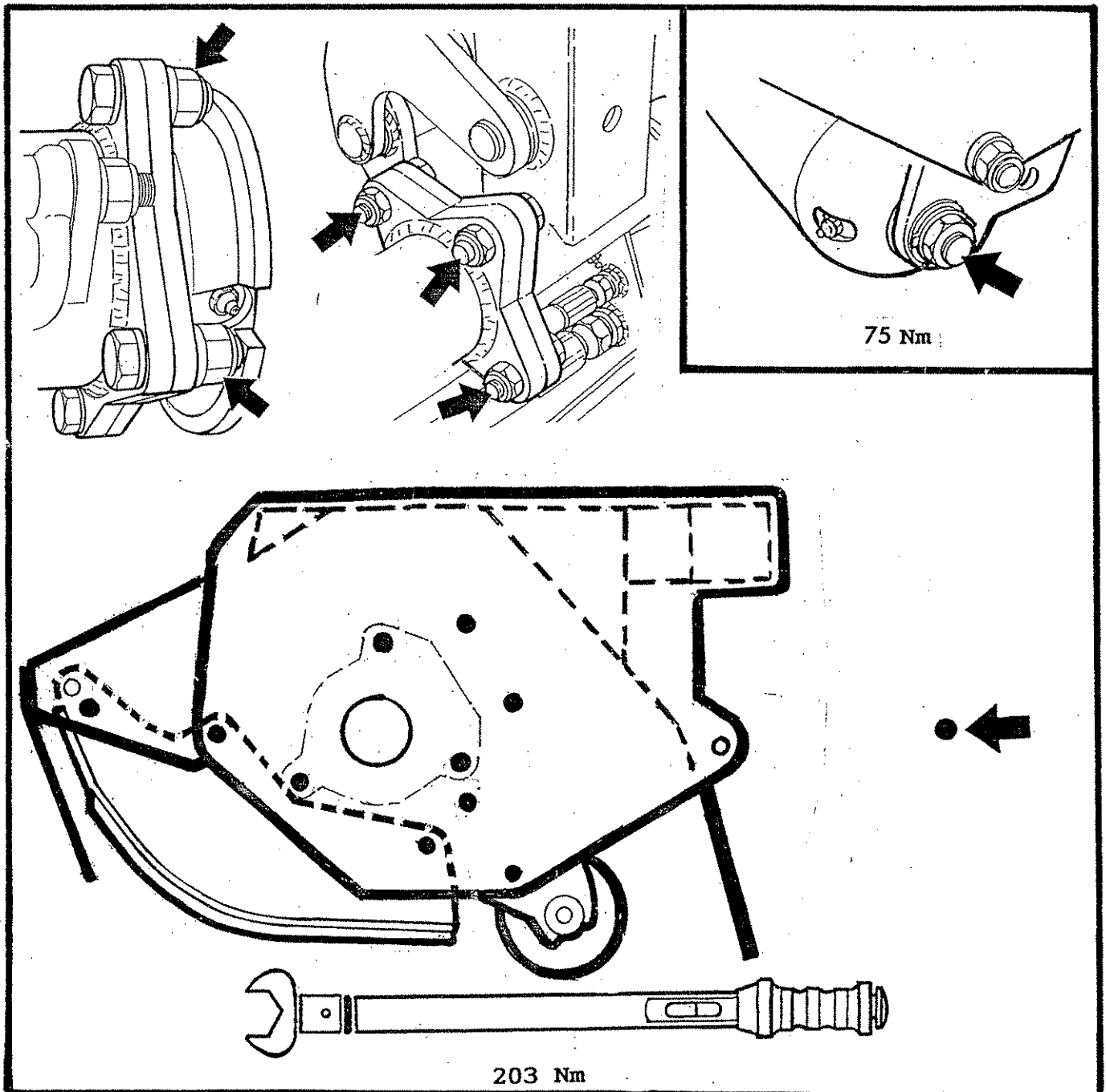
Frequently inspect the rotor assembly for damaged or missing flails.

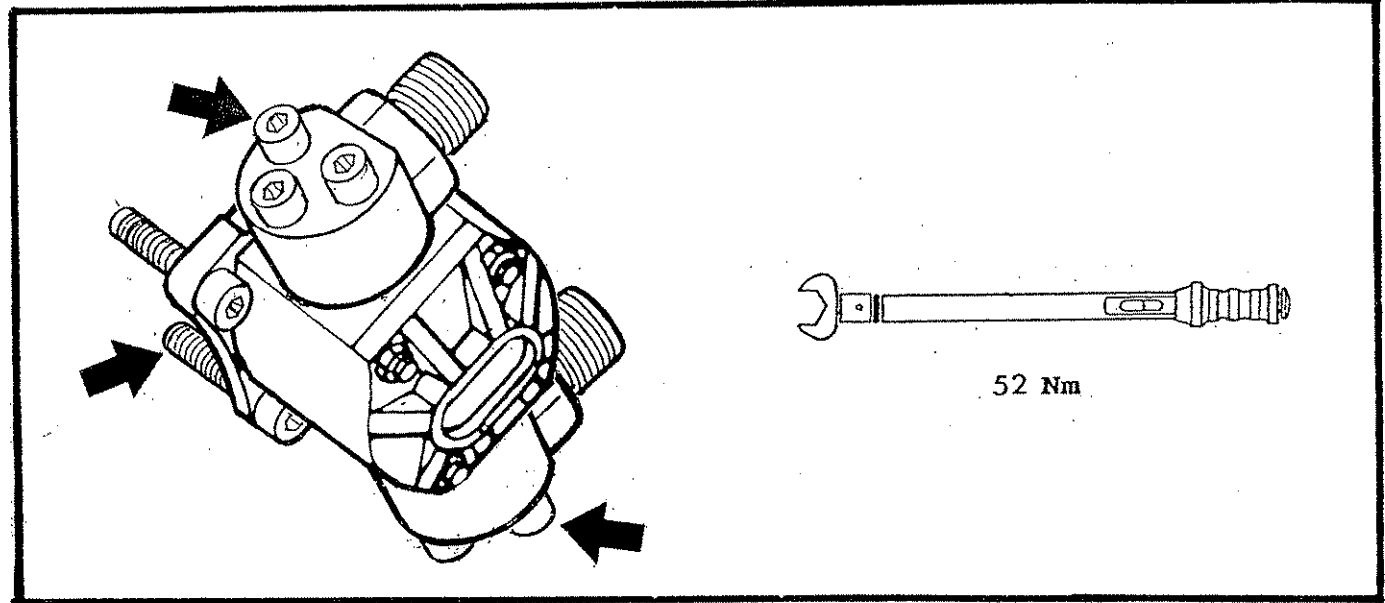
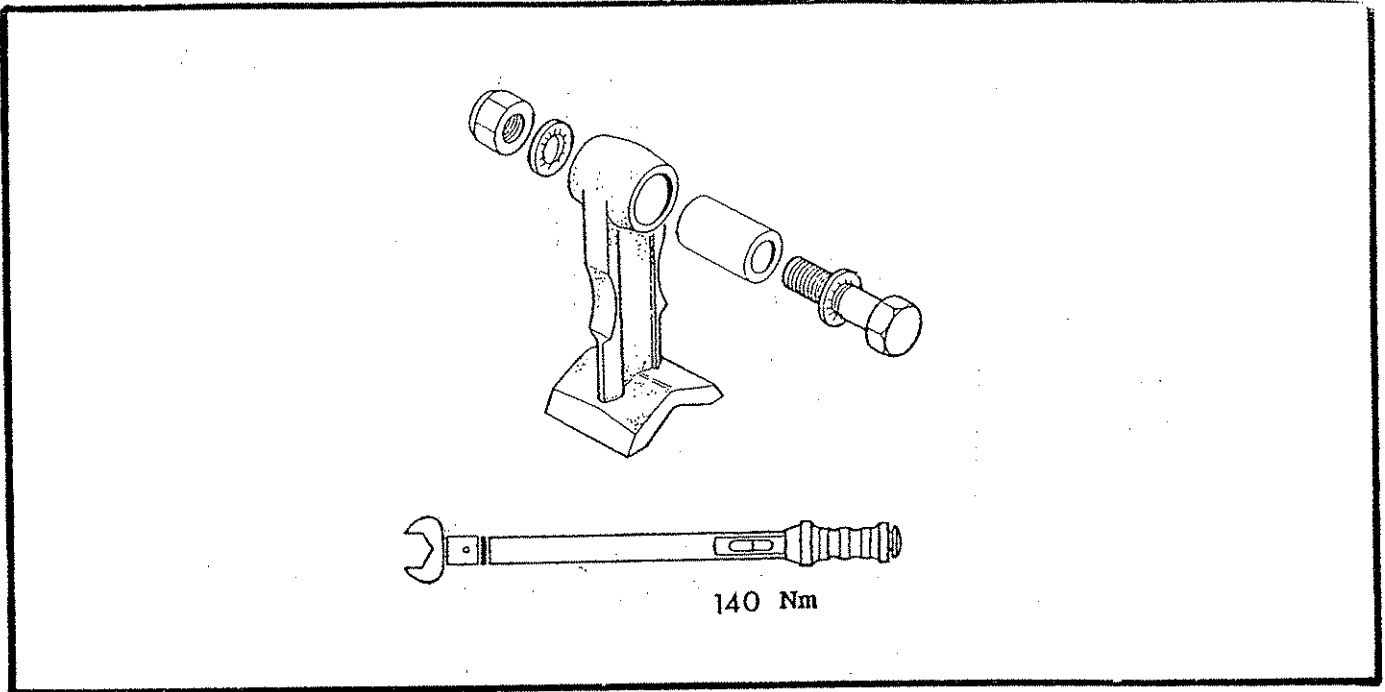
Do not attempt to run the rotor with flails missing. Im-balance will cause severe vibration and can rapidly damage the rotor shaft bearings. As an emergency measure if a flail is broken off or lost, remove another on the opposite side of the rotor to retain balance. Always replace flails in opposite pairs and never match up a new flail with a re-sharpened one which will of course be lighter.

Blunt flails absorb a lot of power and leave an untidy finish to the work. They should be sharpened on a grindstone or with a portable grinder periodically.

Wear protective gear when sharpening flails.

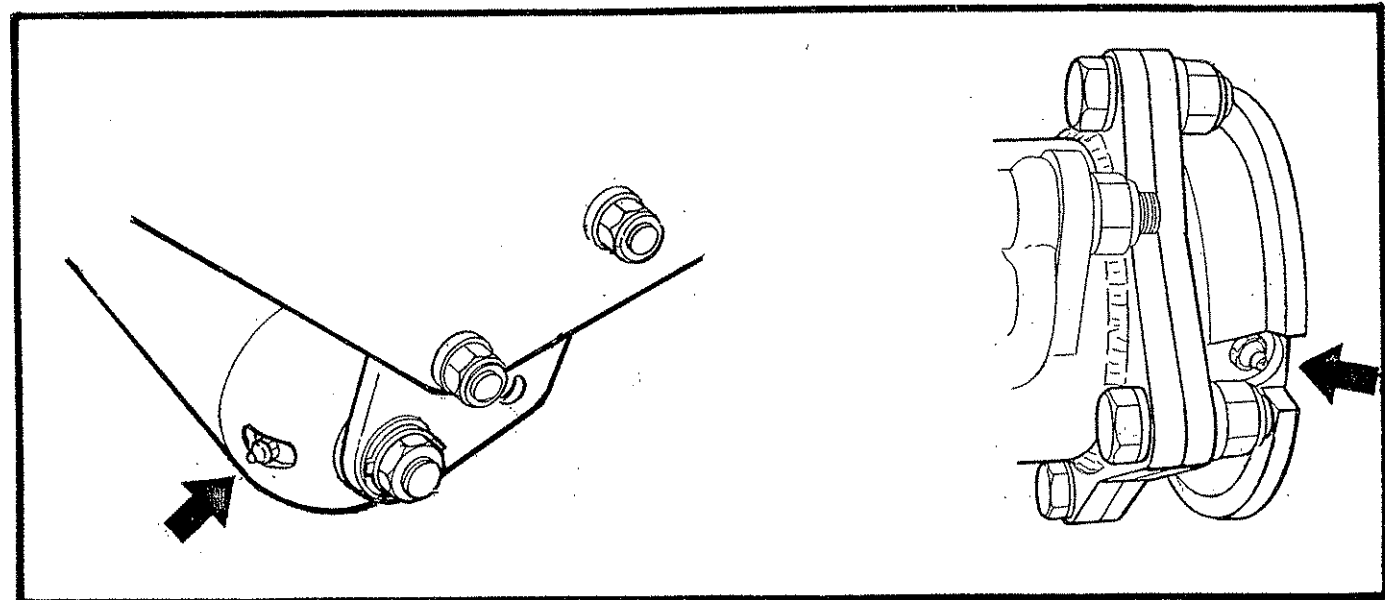
**Check:-** All bolts are tight and that the torque figures are correct for the specific locations shown below.





## LUBRICATION

Grease daily all points shown.





## McConnel Generic Parts Manual

*Generic parts manuals should be used as a general guide to the components used on the machine; to ensure accurate parts information for a specific machine please refer to the 'Interactive Parts Database' on our website which identifies the exact components used on the machine when it was manufactured based on the machine's unique serial number.*

*Direct access can be gained using the web address or QR code below.*  
<http://www.mcconnel.com/support/product-support/interactive-parts-database/>



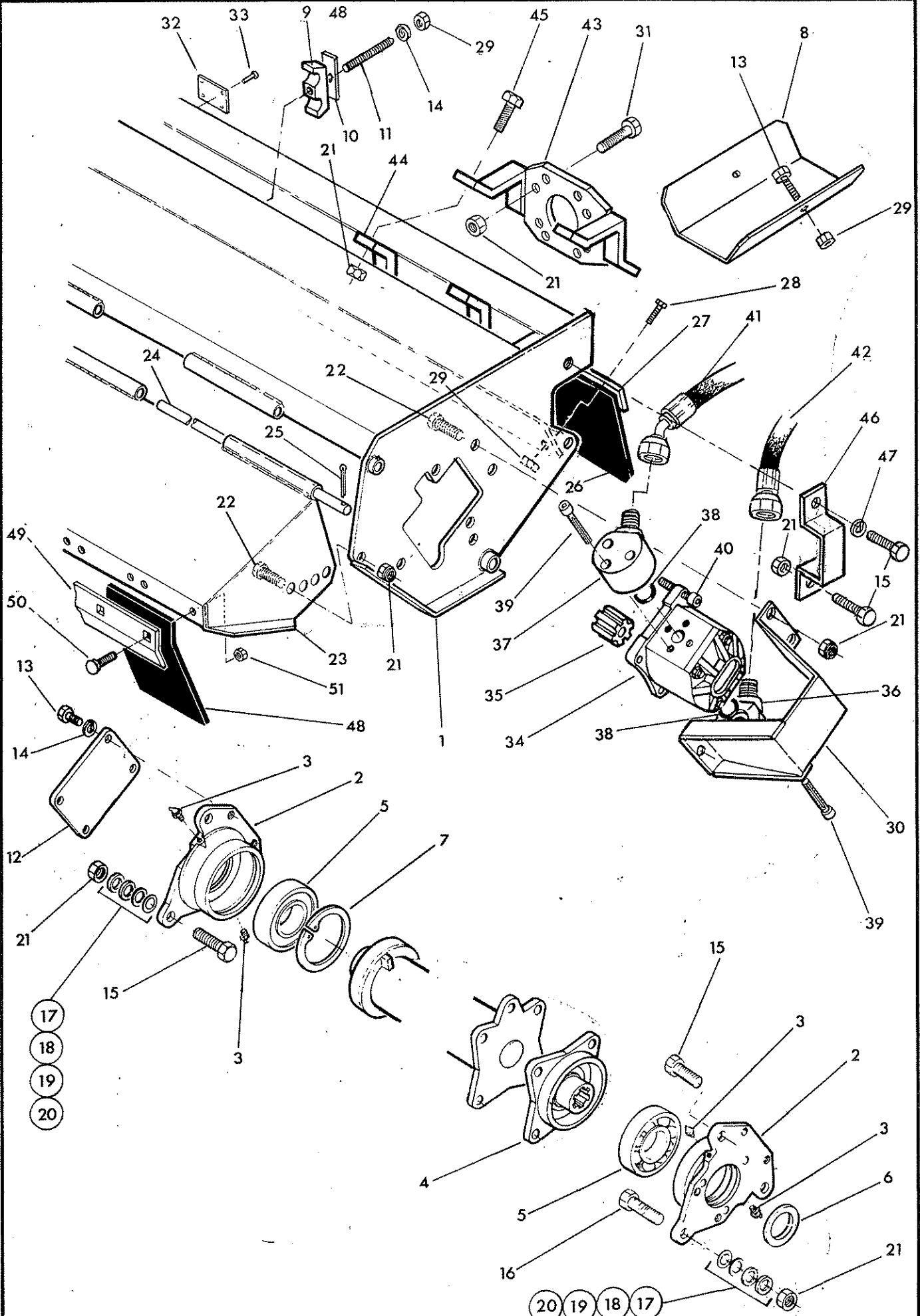
*Design improvements may have altered some of the parts listed in this manual; latest parts will always be supplied if they are interchangeable with earlier ones.*

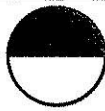


CASING



McCOMEL



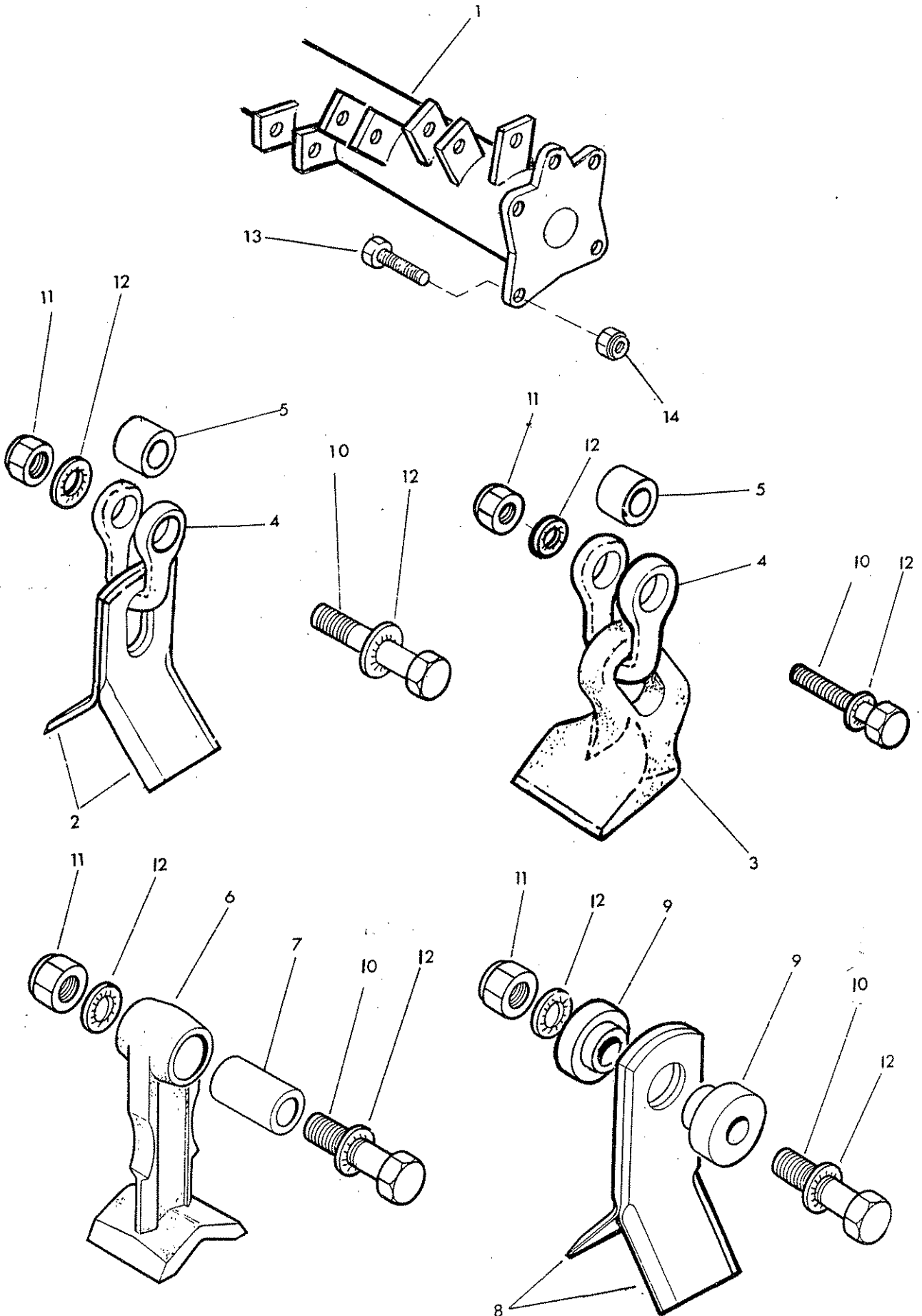


Ref	Part No	Qty	Description
<b>FLAIL HEAD CASING</b>			
1	71 98 327	1	Flail casing
2	71 90 261	2	Bearing housing
3	09 01 124	4	Greaser
4	71 90 571	1	Rotor hub
5	06 00 018	2	Ball bearing
6	71 90 015	1	Motor locating washer
7	71 90 022	1	Internal circlip
8	71 98 333	1	Hose tray
9	71 93 063	1	Hose clamp
10	06.418.05	1	Clamp plate
11	04.282.09	1	Stud
12	71 90 444	1	Cover plate
13	93 13 045	6	Setscrew
14	91 00 205	5	Spring washer
15	03 11 126	7	Setscrew
16	03 11 146	1	Setscrew
17	81 21 044	as req	Shim
18	81 21 043	as req	Shim
19	71 91 099	as req	Shim
20	71 91 098	as req	Shim
21	01 41 006	19	Self locking nut
22	03 11 106	4	Setscrew
23	71 91 352	1	Front hood
24	71 91 116	1	Hood pivot pin
25	95 01 406	1	Split pin
26	71 91 361	1	Rear flap
27	71 91 362	1	Clamp strip
28	93 13 055	10	Setscrew
29	91 43 005	13	Self locking nut
30	71 91 283	1	Motor cover
31	02 11 246	4	Bolt
32	13 35 246	1	Serial No. plate
33	71 03 230	1	Pop rivet
34	83 01 282	1	Hydraulic motor 54HP
	83 01 283	1	Hydraulic motor 65HP
35	71 90 573	1	Drive coupling
36	71 98 070	1	Motor connection - L hand
37	71 98 072	1	Motor connection - R hand
38	86 00 121	1	'O' ring
39	93 00 014	6	Capscrew
40	93 00 144	4	Capscrew
41	85 01 267	1	Hose 1" BSP x 79" long
42	85 01 254	1	Hose 1" BSP x 75" long
43	71 98 330	1	Clamp
44	71 98 332	2	Clamp
45	02 11 206	4	Bolt
46	41740.01	1	Hose guide
47	01 00 206	1	Spring washer
<b>OPTION</b>			
	72 90 375	1	Front flap kit
48	72 90 053	8	Front flap
49	71 90 304	1	Clamp
50	92 93 054	16	Bolt cup square
51	91 43 004	16	Self locking nut
<b>86 99 236 SEAL KIT for hydraulic motor</b>			

ROTOR & FLAIL OPTIONS



**McCORMICK**





Ref	Part No	Qty	Description
-----	---------	-----	-------------

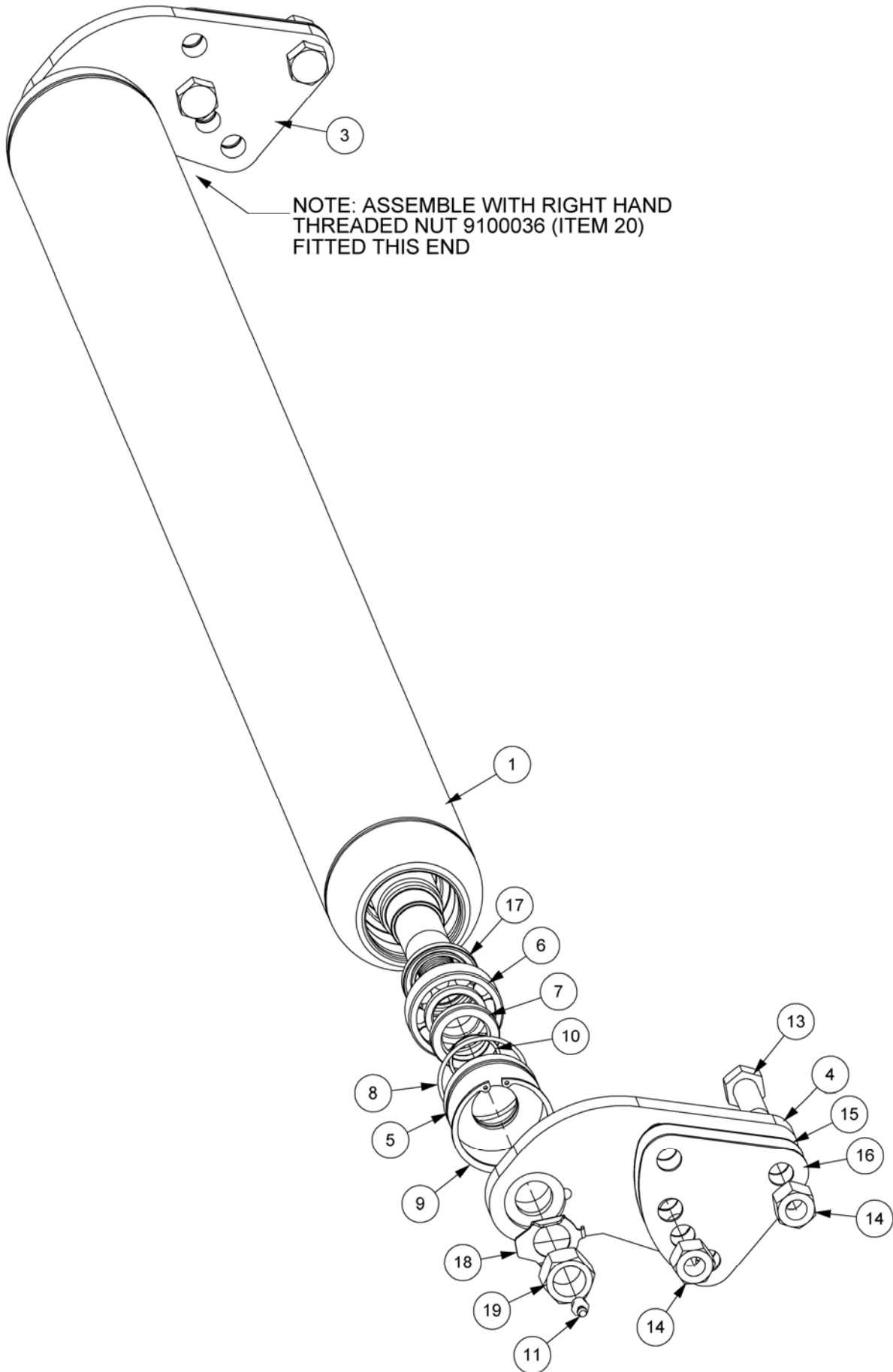
## ROTOR AND FLAILS OPTIONS

1	42444-02	1	Rotor
2	71 90 166	48	Flail
3	71 90 462	24	Flail
4	71 91 138	24	Shackle
5	71 91 139	24	Spacer
6	71 91 320	24	Flail
7	71 91 054	24	Spacer
8	71 90 315	48	Flail
9	71 91 095	48	Bush
10	71 91 109	24	Bolt - special
11	01 41 005	24	Self locking nut
12	01 00 305	48	Internal shakeproof washer
13	03 11 146	4	Setscrew
14	01 41 006	4	Self locking nut

# 1.2M ROLLER ASSEMBLY

**McCONEL**

Module(s): 22808.01



**1.2M ROLLER ASSEMBLY****McCONNEL**

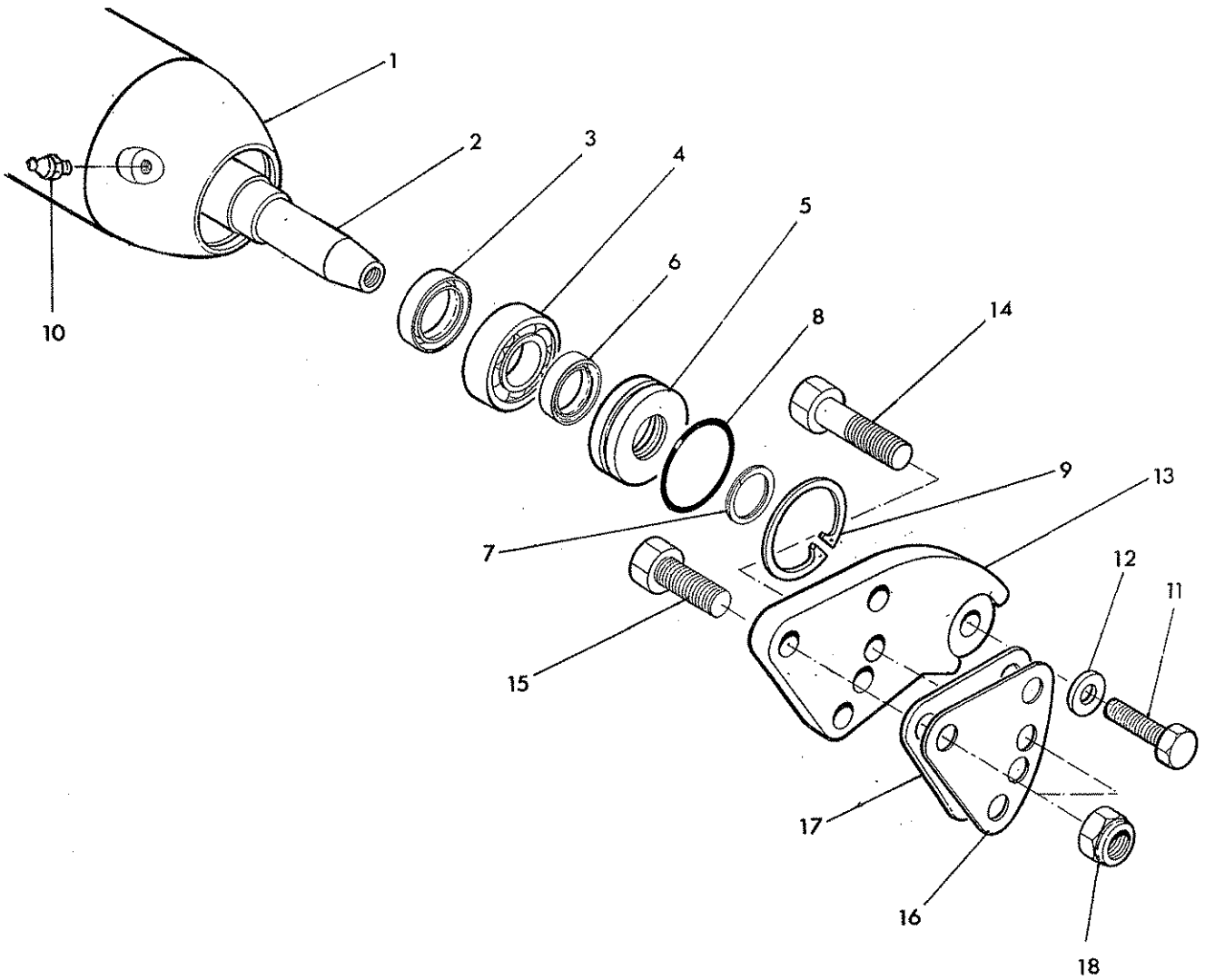
Module(s): 22808.01

<b>REF.</b>	<b>QTY.</b>	<b>PART No.</b>	<b>DESCRIPTION</b>
		<b>22808.01</b>	<b>1.2M ROLLER ASSEMBLY</b>
1	1	22808.02	ROLLER TUBE
2	1	22808.05	ROLLER SHAFT
3	1	22808.03	ROLLER BRACKET - LH
4	1	22808.04	ROLLER BRACKET - RH
5	2	22808.06	SEAL CARRIER
6	2	0600111	BALL BEARING
7	2	8629215	ROTARY SHAFT SEAL
8	2	8600422	O RING
9	2	0411262	INTERNAL CIRCLIP
10	2	0412120	SPIROLOX RING
11	2	0901121	GREASE NIPPLE
12	2	9213117	BOLT
13	2	9313097	SETSCREW
14	4	9143007	SELF-LOCKING NUT
15	2	42257.03	SHIM - 1.2mm
16	2	42257.04	SHIM - 2.0mm
17	2	8629181	ROTARY SHAFT SEAL
18	2	21395.03	TAB WASHER
19	1	9100035	NUT - LH
20	1	9100036	NUT - RH

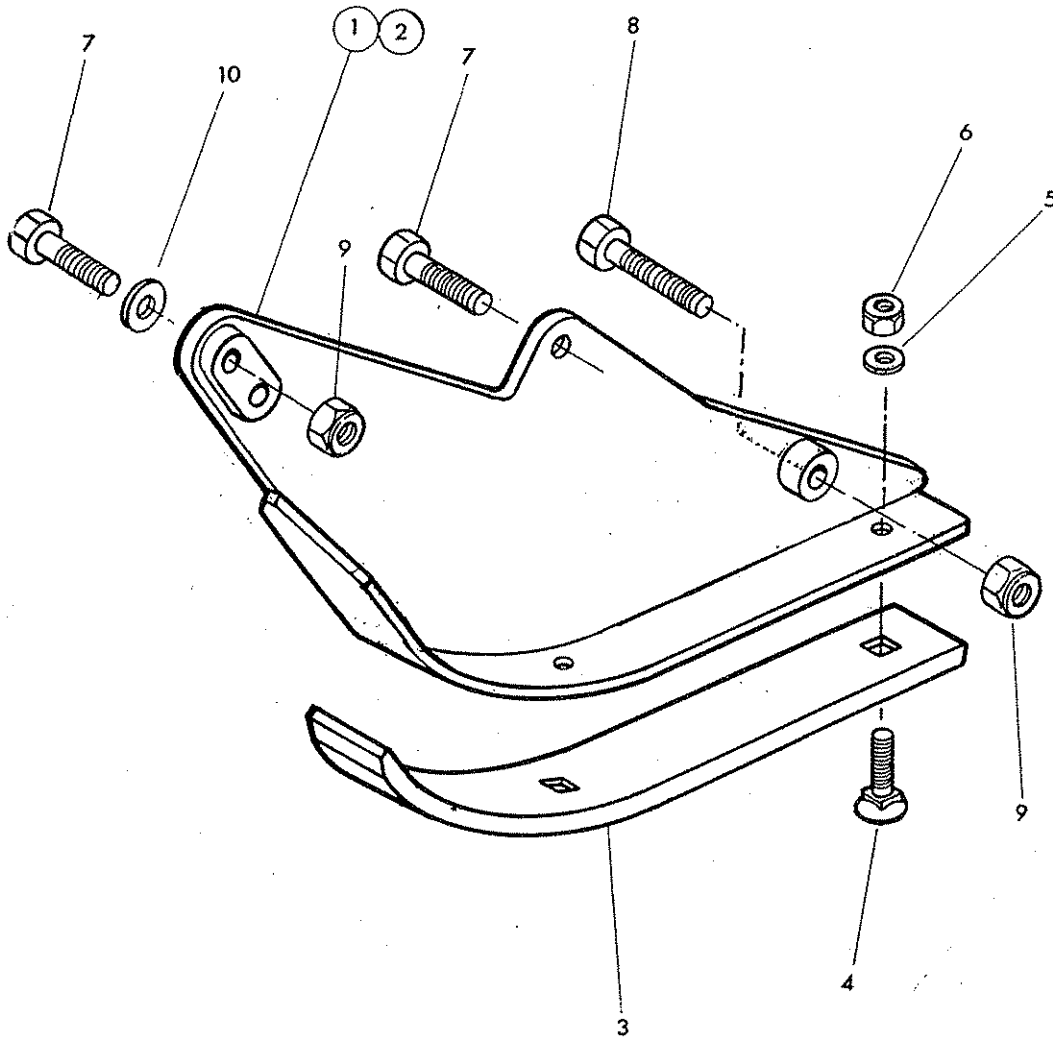
**ROLLER**



**McCONEL**



Ref	Part No	Qty	Description
	<b>42241.23</b>	<b>1</b>	<b>ROLLER ASSEMBLY</b>
1	42241.11	1	Roller
2	42242.05	1	Axle
3	86 29 215	2	Seal
4	06 00 088	2	Bearing
5	42573.01	2	Seal carrier
6	86 29 216	2	Seal
7	04.12.117	2	Spring ring
8	86 00 422	2	'O' ring
9	04 11 262	2	Internal circlip
10	09 01 121	2	Greaser
11	93 00 149	1	Special screw R hand
	93 00 150	1	Special screw L hand
12	42503.02	2	Special washer
13	42246.05	1	Roller bracket R hand
	42246.04	1	Roller bracker L hand
14	92 13 117	2	Bolt
15	93 13 097	2	Setscrew
16	42257.03	as req	Shim
17	42257.04	as req	Shim
18	91 43 007	4	Self locking nut



Ref. Part No.

Qty. Description

**SKID KIT - Option**

1	71 98 368	1	Skid - L.Hand
2	71 98 369	1	Skid - R.Hand - not illus.
3	72 90 391	2	Wear skid
4	60 12 034	6	Tine bolt
5	01 00 104	6	Plain washer
6	01 42 004	6	Self locking nut
7	03 11 106	4	Set screw
8	03 11 126	2	Set screw
9	01 41 006	4	Self locking nut
10	01 00 106	2	Plain washer



**STICKERS**



**McCormel**



**ATTENTION**



Recommended P.T.O.  
speed 500 r.p.m.  
Vitesse recommandee  
500 T/min a la  
prise de force.

**DANGER**  
Rotating cutters under here.  
**DANGER**  
Rotor ne pas approcher.

**KEEP BOLTS TIGHT**  
Check bolt tightness after 1 hour  
4 hours, 10 hours and thereafter daily.  
**MAINTENEZ LES  
BOULONS SERRES**  
Et controlez serrage apres 1 heure  
4 heures, 10 heures puis chaque jour.



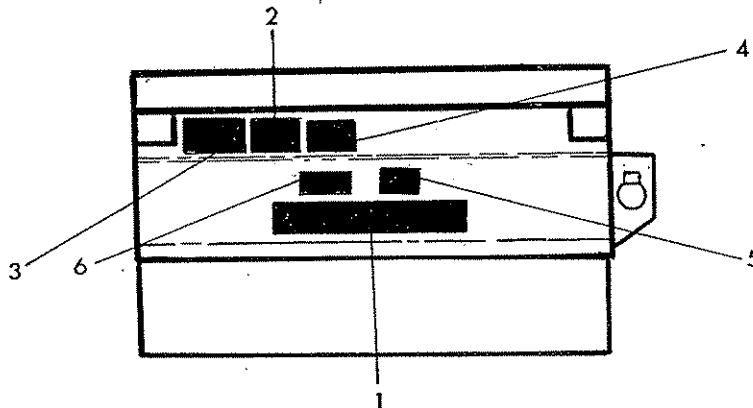
**FLAIL PARTS INFORMATION**

McCormel Flail Mowers use dynamically balanced and mated system components for Cutter Shafts (Rotors), Knives (Flails), Knife Hangers (Shackles), Bolts, Bushes, Rollers, Drivetrain Components, Bearings Belts and Belt Pulleys. McCormel parts are made and tested to meet close-tolerance specifications of balance, quality and consistency that assure long, trouble-free service. "Will-Fit" parts do not ordinarily meet McCormel Standards and could reduce Mower performance, void warranties, and present an increase in the safety hazard potential.

**DON'T GAMBLE!**  
USE GENUINE McCORMEL SERVICE PARTS  
See your McCormel dealer

**BEWARE OF FLYING DEBRIS. KEEP PEOPLE AWAY.  
ATTENTION AUX PROJECTIONS. SE TENIR A L'ECART.**

②



**54HP**

⑥

**McCormel**

①

⑤

**DANGER**

CUTTING BLADES

THROWN OBJECTS



**KEEP AWAY FROM ROTATING BLADES**

SERIOUS INJURY OR DEATH CAN RESULT  
FROM THROWN OBJECTS OR BLADE CONTACT.

- STOP MOWING IF PERSONS ARE NOT CLEAR OF THROWN OBJECTS
- DO NOT STAND ON OR NEAR MACHINE WHEN IN OPERATION
- DO NOT OPERATE WITH DEFLECTORS OR GUARDS REMOVED

④

**GUARDING REQUIREMENTS  
EQUIPMENTS DE SECURITE**

GROUND CUTTING COUPE DE SOL	HEDGE CUTTING TAILLE DE HAIES	HEDGE CUTTING TAILLE DE HAIES
Always cut upwards. Roller set below flails. Sluds recommended. Toujours couper en aspiration. Rouleau regle sous les flails. Patins recommandes.	With flails cutting upwards. Roller set above flails. Les flails travaillant en aspiration. Rouleau regle au dessus des flails.	With flails cutting downwards. Roller set above flails. Les flails travaillant en attaque. Rouleau regle au dessus des flails.

③

Ref Part No Qty Description

**STICKERS**

1	12 90 255	1	McCormel
2	12 90 377	1	Flail head instructions
3	12 90 341	1	Flail head guarding
4	0075 6485	1	Rotating blade warning
5	12 90 392	1	Use McCormel spares
6	12 90 508	1	54hp
	12 90 491	1	65hp



McConnel Limited, Temeside Works, Ludlow, Shropshire SY8 1JL. England.  
Telephone: 01584 873131. Facsimile: 01584 876463. [www.mcconnel.com](http://www.mcconnel.com)