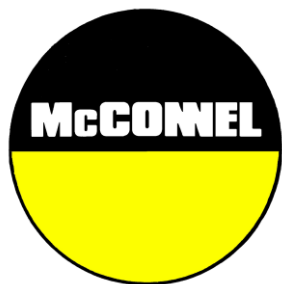


Publication 852
September 2016
Part No. 23671.52



McCORMEL

YARDSCRAPERS

Models: M402G & M452G

Operator & Parts Manual



IMPORTANT

VERIFICATION OF WARRANTY REGISTRATION



DEALER WARRANTY INFORMATION & REGISTRATION VERIFICATION

It is imperative that the selling dealer registers this machine with McConnel Limited before delivery to the end user – failure to do so may affect the validity of the machine warranty.

To register machines go to the McConnel Limited web site at www.mcconnel.com, log onto 'Dealer Inside' and select the 'Machine Registration button' which can be found in the Service Section of the site. Confirm to the customer that the machine has been registered in the section below.

Should you experience any problems registering a machine in this manner please contact the McConnel Service Department on 01584 875848.

Registration Verification

Dealer Name:
Dealer Address:
Customer Name:
Date of Warranty Registration:/...../..... Dealer Signature:

NOTE TO CUSTOMER / OWNER

Please ensure that the above section above has been completed and signed by the selling dealer to verify that your machine has been registered with McConnel Limited.

IMPORTANT: During the initial 'bedding in' period of a new machine it is the customer's responsibility to regularly inspect all nuts, bolts and hose connections for tightness and re-tighten if required. New hydraulic connections occasionally weep small amounts of oil as the seals and joints settle in – where this occurs it can be cured by re-tightening the connection – *refer to torque settings chart below*. The tasks stated above should be performed on an hourly basis during the first day of work and at least daily thereafter as part of the machines general maintenance procedure.

CAUTION: DO NOT OVER TORQUE HYDRAULIC FITTINGS AND HOSES

TORQUE SETTINGS FOR HYDRAULIC FITTINGS

HYDRAULIC HOSE ENDS		
BSP	Setting	Metric
1/4"	18 Nm	19 mm
3/8"	31 Nm	22 mm
1/2"	49 Nm	27 mm
5/8"	60 Nm	30 mm
3/4"	80 Nm	32 mm
1"	125 Nm	41 mm
1.1/4"	190 Nm	50 mm
1.1/2"	250 Nm	55 mm
2"	420 Nm	70 mm

PORT ADAPTORS WITH BONDED SEALS		
BSP	Setting	Metric
1/4"	34 Nm	19 mm
3/8"	47 Nm	22 mm
1/2"	102 Nm	27 mm
5/8"	122 Nm	30 mm
3/4"	149 Nm	32 mm
1"	203 Nm	41 mm
1.1/4"	305 Nm	50 mm
1.1/2"	305 Nm	55 mm
2"	400 Nm	70 mm

WARRANTY POLICY

WARRANTY REGISTRATION

All machines must be registered, by the selling dealer with McConnel Ltd, before delivery to the end user. On receipt of the goods it is the buyer's responsibility to check that the Verification of Warranty Registration in the Operator's Manual has been completed by the selling dealer.

1. LIMITED WARRANTIES

- 1.01. *All mounted machines supplied by McConnel Ltd are warranted to be free from defects in material and workmanship from the date of sale to the original purchaser for a period of 12 months, unless a different period is specified.
All Self Propelled Machines supplied by McConnel Ltd are warranted to be free from defects in material and workmanship from the date of sale to the original purchaser for a period of 12 months or 1500 hours. Engine warranty will be specific to the Manufacturer of that unit.*
- 1.02. *All spare parts supplied by McConnel Ltd and purchased by the end user are warranted to be free from defects in material and workmanship from the date of sale to the original purchaser for a period of 6 months. All parts warranty claims must be supported by a copy of the failed part invoice to the end user. We cannot consider claims for which sales invoices are not available.*
- 1.03. *The warranty offered by McConnel Ltd is limited to the making good by repair or replacement for the purchaser any part or parts found, upon examination at its factory, to be defective under normal use and service due to defects in material or workmanship. Returned parts must be complete and unexamined. Pack the component(s) carefully so that any transit damage is avoided. All ports on hydraulic items should be drained of oil and securely plugged to prevent seepage and foreign body ingress. Certain other components, electrical items for example, may require particular care when packing to avoid damage in transit.*
- 1.04. *This warranty does not extend to any product from which McConnel Ltd's serial number plate has been removed or altered.*
- 1.05. *The warranty policy is valid for machines registered in line with the terms and conditions detailed and on the basis that the machines do not extend a period of 24 months or greater since their original purchase date, that is the original invoice date from McConnel Limited.
Machines that are held in stock for more than 24 months cannot be registered for warranty.*
- 1.06. *This warranty does not apply to any part of the goods, which has been subjected to improper or abnormal use, negligence, alteration, modification, fitment of non-genuine parts, accident damage, or damage resulting from contact with overhead power lines, damage caused by foreign objects (e.g. stones, iron, material other than vegetation), failure due to lack of maintenance, use of incorrect oil or lubricants, contamination of the oil, or which has served its normal life. This warranty does not apply to any expendable items such as blades, belts, clutch linings, filter elements, flails, flap kits, skids, soil engaging parts, shields, guards, wear pads, pneumatic tyres or tracks.*
- 1.07. *Temporary repairs and consequential loss - i.e. oil, downtime and associated parts are specifically excluded from the warranty.*
- 1.08. *Warranty on hoses is limited to 12 months and does not include hoses which have suffered external damage. Only complete hoses may be returned under warranty, any which have been cut or repaired will be rejected.*
- 1.09. *Machines must be repaired immediately a problem arises. Continued use of the machine after a problem has occurred can result in further component failures, for which McConnel Ltd cannot be held liable, and may have safety implications.*
- 1.10. *If in exceptional circumstances a non McConnel Ltd part is used to effect a repair, warranty reimbursement will be at no more than McConnel Ltd's standard dealer cost for the genuine part.*

- 1.11. *Except as provided herein, no employee, agent, dealer or other person is authorised to give any warranties of any nature on behalf of McConnell Ltd.*
- 1.12. *For machine warranty periods in excess of 12 months the following additional exclusions shall apply:*
 - 1.12.1. *Hoses, exposed pipes and hydraulic tank breathers.*
 - 1.12.2. *Filters.*
 - 1.12.3. *Rubber mountings.*
 - 1.12.4. *External electric wiring.*
 - 1.12.5. *Bearings and seals*
 - 1.12.6. *External Cables, Linkages*
 - 1.12.7. *Loose/Corroded Connections, Light Units, LED's*
 - 1.12.8. *Comfort items such as Operator Seat, Ventilation, Audio Equipment*
- 1.13. *All service work, particularly filter changes, must be carried out in accordance with the manufacturer's service schedule. Failure to comply will invalidate the warranty. In the event of a claim, proof of the service work being carried out may be required.*
- 1.14. *Repeat or additional repairs resulting from incorrect diagnosis or poor quality previous repair work are excluded from warranty.*

NB Warranty cover will be invalid if any non-genuine parts have been fitted or used. Use of non-genuine parts may seriously affect the machine's performance and safety. McConnell Ltd cannot be held responsible for any failures or safety implications that arise due to the use of non-genuine parts.

2. REMEDIES AND PROCEDURES

- 2.01. *The warranty is not effective unless the Selling Dealer registers the machine, via the McConnell web site and confirms the registration to the purchaser by completing the confirmation form in the operator's manual.*
- 2.02. *Any fault must be reported to an authorised McConnell Ltd dealer as soon as it occurs. Continued use of a machine, after a fault has occurred, can result in further component failure for which McConnell Ltd cannot be held liable.*
- 2.03. *Repairs should be undertaken within two days of the failure. Claims submitted for repairs undertaken more than 2 weeks after a failure has occurred, or 2 days after the parts were supplied will be rejected, unless the delay has been authorised by McConnell Ltd. Please note that failure by the customer to release the machine for repair will not be accepted as a reason for delay in repair or submitting warranty claims.*
- 2.04. *All claims must be submitted, by an authorised McConnell Ltd Service Dealer, within 30 days of the date of repair.*
- 2.05. *Following examination of the claim and parts, McConnell Ltd will pay, at their discretion, for any valid claim the invoiced cost of any parts supplied by McConnell Ltd and appropriate labour and mileage allowances if applicable.*
- 2.06. *The submission of a claim is not a guarantee of payment.*
- 2.07. *Any decision reached by McConnell Ltd. is final.*

3. LIMITATION OF LIABILITY

- 3.01. *McConnell Ltd disclaims any express (except as set forth herein) and implied warranties with respect to the goods including, but not limited to, merchantability and fitness for a particular purpose.*
- 3.02. *McConnell Ltd makes no warranty as to the design, capability, capacity or suitability for use of the goods.*
- 3.03. *Except as provided herein, McConnell Ltd shall have no liability or responsibility to the purchaser or any other person or entity with respect to any liability, loss, or damage caused or alleged to be caused directly or indirectly by the goods including, but not limited to, any indirect, special, consequential, or incidental damages resulting from the use or operation of the goods or any breach of this warranty. Notwithstanding the above limitations and warranties, the manufacturer's liability hereunder for damages incurred by the purchaser or others shall not exceed the price of the goods.*
- 3.04. *No action arising out of any claimed breach of this warranty or transactions under this warranty may be brought more than one (1) year after the cause of the action has occurred.*

4. MISCELLANEOUS

- 4.01. McConnel Ltd may waive compliance with any of the terms of this limited warranty, but no waiver of any terms shall be deemed to be a waiver of any other term.*
- 4.02. If any provision of this limited warranty shall violate any applicable law and is held to be unenforceable, then the invalidity of such provision shall not invalidate any other provisions herein.*
- 4.03. Applicable law may provide rights and benefits to the purchaser in addition to those provided herein.*

McConnel Limited



DECLARATION OF CONFORMITY

Conforming to EU Machinery Directive 2006/42/EC

We,

McCONNEL LIMITED, Temeside Works, Ludlow, Shropshire SY8 1JL, UK

Hereby declare that:

The Product; *Tractor Mounted Yardscraper*

Product Code; *M402, M452*

Serial No. & Date Type

Manufactured in; *United Kingdom*

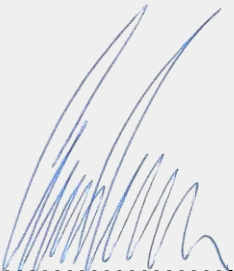
Complies with the required provisions of the Machinery Directive 2006/42/EC
The machinery directive is supported by the following harmonized standards;

- BS EN ISO 12100 (2010) Safety of machinery – General principles for design – Risk assessment and risk reduction.
- BS EN 349 (1993) + A1 (2008) Safety of machinery - Minimum distances to avoid the entrapment with human body parts.
- BS EN ISO 14120 (2015) Safety of machinery - Guards general requirements for the design and construction of fixed and movable guards.
- BS EN 4413 (2010) Hydraulic fluid power. Safety requirements for systems and their components.

McCONNEL LIMITED operates an ISO 9001:2008 quality management system, certificate number: FM25970.

This system is continually assessed by the;

British Standards Institution (BSI), Beech House, Milton Keynes, MK14 6ES, UK
BSI is accredited by UK Accreditation Service, accreditation number: UKAS 003.
The EC declaration only applies if the machine stated above is used in accordance with the operating instructions.

Signed  *Responsible Person*
CHRISTIAN DAVIES on behalf of McCONNEL LIMITED

Status: *General Manager*

Date: *January 2018*

THIS MANUAL MUST BE HANDED TO THE CUSTOMER
BEFORE THE MACHINE IS USED FOR THE FIRST TIME



McCONEL LIMITED
TEMESIDE WORKS
LUDLOW
SHROPSHIRE
SY8 1ND

TELEPHONE:
01584 873131

All dimensions and capacities mentioned in this book are approximate. In pursuance of the Companies policy of constant development, the right is reserved to depart, without notice, from any detail illustrated or specified in this book, without incurring the obligation to provide such modifications on machines previously delivered.

No responsibility will be accepted by McConnel Limited for any injury, damage or loss arising from the improper use or lack of maintenance of any machinery supplied by them or from any failure of the user to comply with all instructions published by Tractor or Loader manufacturers, particularly with regard to maximum load capacities, tyre pressures and stability, or with instructions and regulations pertaining to Tractor Cabs.

LIST OF CONTENTS

Operator Section

General Information	1
Machine Description & Purpose of Use	2
Machine Identification	2
Technical Specifications	2
Safety Information	3
Vehicle / Tractor Preparation	5
General Instructions	6
Handling & Transportation	7
Set Up Instructions	8
Maintenance	9

Parts Section

Yardscraper M402G	11
Yardscraper M452G	13

GENERAL INFORMATION

Read this manual before fitting or operating the machine. Whenever any doubt exists contact your dealer or the McConnel Service Department for assistance.

Use only 'McConnel Genuine Parts' on McConnel Equipment and Machinery

DEFINITIONS - The following definitions apply throughout this manual:

WARNING:

An operating procedure, technique etc., which can result in personal injury or loss of life if not observed carefully.

CAUTION:

An operating procedure, technique etc., which can result in the damage of either machine or equipment if not observed carefully.

NOTE:

An operating procedure, technique etc., which is considered essential to emphasise.

LEFT AND RIGHT HAND:

This term is applicable to the machine when fitted to the tractor and viewed from the rear. This also applies to tractor references.

Note: The illustrations in this manual are for instructional purposes only and may on occasion not show some components in their entirety. In some instances an illustration may appear slightly different to that of your particular model but the general procedure will be the same. E&OE.

MACHINE & DEALER INFORMATION

Record the Serial Number of your machine on this page and always quote this number when ordering parts. Whenever information concerning the machine is requested remember also to state the make and model of tractor to which the machine is fitted.

Machine Serial Number:	Installation Date:
Machine Model details:	
Dealer Name:	
Dealer Address:	
Dealer Telephone No:	
Dealer Email Address:	

MACHINE DESCRIPTION & PURPOSE OF USE

These machines which are commonly known throughout the agricultural industry as Yardscrapers are intended for use attached to an agricultural vehicle by means of the 'three-point linkage' couple up system; a quick hitch attachment is available as an extra. The machines, which have robust frames and hardwearing rubber blades, are designed for the sole purpose of scraping yards and lanes that have a reasonably flat surface.

These machines should only be used to perform tasks for which they were designed – use of the machine for any other function may be both dangerous to persons and damaging to components and is therefore not advisable.

MACHINE IDENTIFICATION

Each machine is fitted with an identification plate with the following information:

1. Machine (Part Number)
2. Machine Serial No.
3. Machine Weight

When ordering spares or replacement parts from your local dealer it is important to quote both Part Number and Serial Number as stated on the identification plate so the machine and model can be quickly and correctly identified.



Machine Identification Plate

TECHNICAL SPECIFICATIONS

SPECIFICATION	M402	M452
Attachment	3-point linkage	3-point linkage
Scraping Width (Min.)	1.83m (72")	1.92m (76")
Scraping Width (Max.)	2.13m (84")	2.13m (84")
Reversible Swing Wings	no	no
Flip-over Profiled Rubber	yes	yes
Load Carrying Facility	no	no
Machine Weight (Approx.)	186kg	210kg

SAFETY INFORMATION

General safety rules:

- ▲ Always read and follow the instructions for the use and maintenance of the machine before carrying out any work operations or servicing tasks.
- ▲ Improper use of the machine is both highly dangerous to persons and damaging to the machine components – only use the machine for its designated task.
- ▲ Both operators and the maintenance fitters should be familiar with the machine and fully aware of dangers surrounding improper use or incorrect repairs.
- ▲ Before starting, checks to both tractor and machine must be carried out as regards: functionality, road safety, accident prevention rules.
- ▲ When using the machine all bystanders and onlookers should be kept at a safe distance from the tractor and machine. Special attention must be paid when working in or near buildings.
- ▲ Use tractor's fitted with safety cabs.
- ▲ The condition of the machine must be checked before use – do not use the machine if components are missing or damaged.
- ▲ During checks or repairs, make sure nobody could start the machine by mistake.
- ▲ Never wear loose or fluttering clothes when operating machines.
- ▲ Never carry passengers on the tractor.
- ▲ Never carry passengers on the machine.
- ▲ Never connect the power takeoff with the engine running.
- ▲ Never leave the tractor seat whilst the engine or machine is running.
- ▲ Do not enter the working zone of the tractors PTO shaft.
- ▲ Keep the PTO shaft guard in good condition.
- ▲ Before starting, check the surrounding area for the likely presence of children and/or animals.
- ▲ Do not stand near, or approach, the machine when it is raised or operating.
- ▲ The PTO shaft of a tractor must be assembled and disassembled only with the engine stopped and the starting key removed.
- ▲ Before connecting the power takeoff, check that the speed and the rotational direction correspond to those of the machine.
- ▲ Immediately replace missing or damaged safety decals.

Transportation Safety

- ▲ In transport, reduce speed, especially on bumpy roads, the weight of the machine may render driving difficult and damage the machine itself.
- ▲ Ensure the levers that operate the hydraulic lift are locked, to avoid the lowering of the machine during transport.
- ▲ When driving on public roads, respect all road rules in force.

Operating Safety

- ▲ Pay special attention when working with the machine not to touch fixed objects such as drains, walls, kerbs, guard rails, tracks etc.
- ▲ Always lower the machine to rest on the ground when not in use.
- ▲ Always ensure the machine is safely supported before attempting to carry out repairs or maintenance. Never work on a machine that is raised or unsupported.

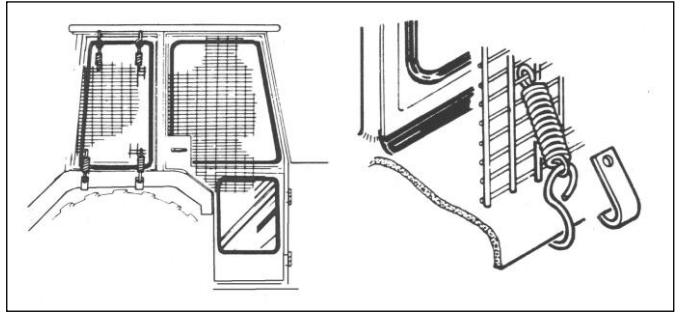
Although the information given here covers a wide range of safety subjects, it is impossible to predict every eventuality that can occur under differing circumstances whilst operating this machine. No advice given here can replace 'good common sense' and 'total awareness' at all times, but will go a long way towards the safe use of your McConnel machine.

VEHICLE / TRACTOR PREPARATION

We recommend vehicles are fitted with cabs using 'safety glass' windows and protective guarding when used with our machines.

Fit Operator Guard (part no. 7313324) using the hooks provided. Shape the mesh to cover all vulnerable areas.

Remember the driver must be looking through mesh and/or polycarbonate



glazing when viewing the machine in all positions - unless the vehicle/ cab manufacturer can demonstrate that the penetration resistance is equivalent to, or higher than, that provided by mesh/polycarbonate glazing. If the tractor has a roll bar only, a frame must be made to carry both mesh and polycarbonate glazing. The operator should also use personal protective equipment to reduce the risk of serious injury such as; eye protection (mesh visor to EN1731 or safety glasses to EN166), hearing protection to EN352, safety helmet to EN297, gloves, filter mask and high visibility clothing.

Vehicle Ballast

It is imperative when attaching 'third-party' equipment to a vehicle that the maximum possible stability of the machine and vehicle combination is achieved – this can be accomplished by the utilisation of 'ballast' in order to counter-balance the additional equipment added.

Front weights may be required for rear mounted machines to place 15% of total outfit weight on the front axle for stable transport on the road and to reduce 'crabbing' due to the drag when working.

Where a machine works to the side of the tractor rear weights may be required to maintain a reasonable amount of rear axle load on the opposing wheel.

All factors must be addressed in order to match the type and nature of the equipment added to the circumstances under which it will be used - factors that effect stability are:

- Centre of gravity of the tractor/machine combination.
- Geometric conditions, e.g. position of the cutting head and ballast.
- Weight, track width and wheelbase of the tractor.
- Acceleration, braking, turning and the relative position of the cutting unit during these operations.
- Ground conditions, e.g. slope, grip, load capability of the soil/surface.
- Rigidity of implement mounting.

Suggestions to increase stability:

- Increasing rear wheel track - *a vehicle with a wider wheel track is more stable.*
- Ballasting the wheel; it is preferable to use external weights but liquid can be added to around 75% of the tyre volume – water with anti-freeze or the heavier Calcium Chloride alternative can be used.
- Addition of weights – care should be taken in selecting the location of the weights to ensure they are added to a position that offers the greatest advantage.
- Front axle locking, check with tractor manufacturer.

The advice above is offered as a guide for stability only and is not a guide to vehicle strength. It is therefore recommended that you consult your vehicle manufacturer or local dealer to obtain specific advice on this subject, additionally advice should be sought from a tyre specialist with regard to tyre pressures and ratings suitable for the type and nature of the machine you intend to fit.

GENERAL INSTRUCTIONS

1. Attachment of the machine to the tractor should always be performed on a firm level site.
2. Before and during the maneuvering of the tractor to attach machinery or implements, make sure that no other persons are in the vicinity. Keep other persons well clear and make known your intentions, all the while keeping a sharp lookout whilst reversing and aligning the machines for coupling up.
3. Ensure tractor brakes are applied correctly to prevent the vehicle from moving.
4. Ensure that the lift arms and top link ball ends of the tractor are properly fitted to the machine or implement using the correct adapter sleeves where necessary, and that retaining pins of the correct type are used on all three-point linkage points. Secure pins with the relevant pin and ring assembly.
5. Should it become necessary to make any adjustments or service the machine while raised on the tractor linkage or front end loader, trestles or suitable supports must be positioned to support machine to prevent accidental dropping of lift arms or mechanical failure.

MACHINES MUST ALWAYS BE PROPPED AND CHOCKED.

6. Never attempt to work on, adjust, service or repair machinery of any kind whilst it is still running or working. Always stop the machine and STOP THE TRACTOR ENGINE before making adjustments or repairs.

SWITCH OFF THE TRACTOR ENGINE BEFORE LEAVING THE TRACTOR SEAT

7. Always use machines in a sensible and reasonable manner and do not attempt to use them for work for which they are not intended. Avoid overloading and abusing them as this can cause damage to machine and tractor and can be very dangerous.
8. When detaching a machine ensure that any stands or legs are securely positioned. The machine must be parked where it will not be a safety hazard or cause annoyance to others. Make sure that chosen parking site is firm and level.
9. Carry out regular periodic maintenance, always with safety in mind.
10. Ensure regular maintenance procedures are maintained for the lifetime of the machine.

HEALTH AND SAFETY RULES AND REGULATIONS MUST BE ADHERED TO IN ALL AGRICULTURAL RESPECTS.

HANDLING & TRANSPORTATION OF THE MACHINE

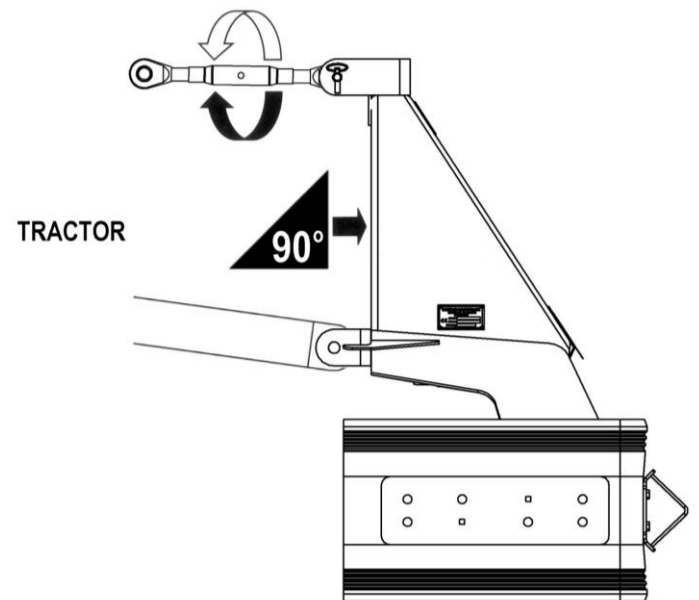
Suitable overhead lifting gear should be used to move or handle this machine safely. The machine can be attached to the lifting gear using a chain, rope or lifting strap providing it is of sufficient strength to support a weight in excess of the machines total weight. Lifting tackle should be securely attached to the correct lifting point on the machine as indicated in the photo below.



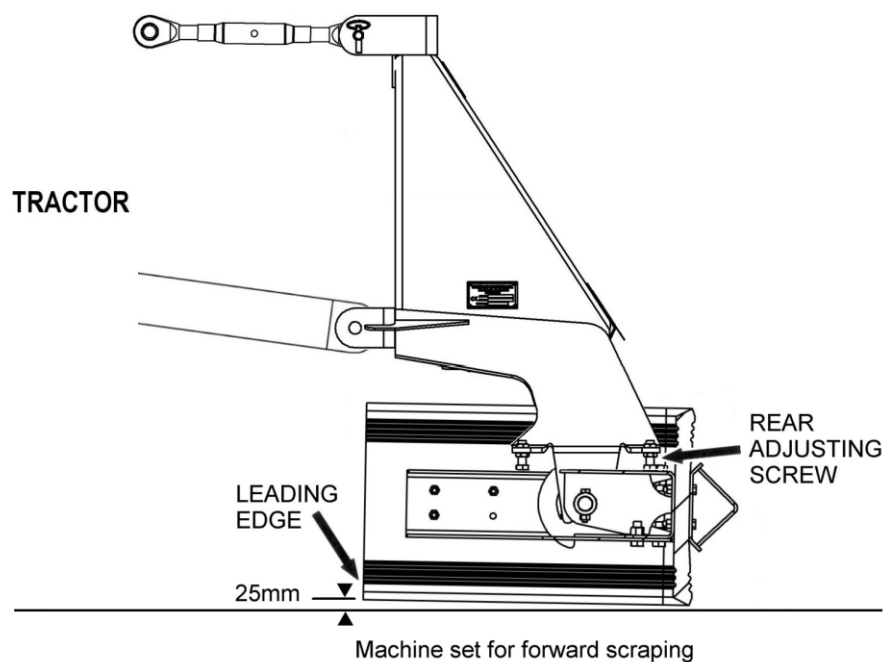
When raising and moving machinery ensure bystanders are kept clear of the machine at all times. Once the machine has been moved make sure that it comes to rest in a safe position and location, supports or stay bars may be necessary to ensure stability of the machinery. Always use supports or stay bars whenever the machine is transported.

M402 & M452 YARDSCRAPERS – ‘SETTING UP’ INSTRUCTIONS

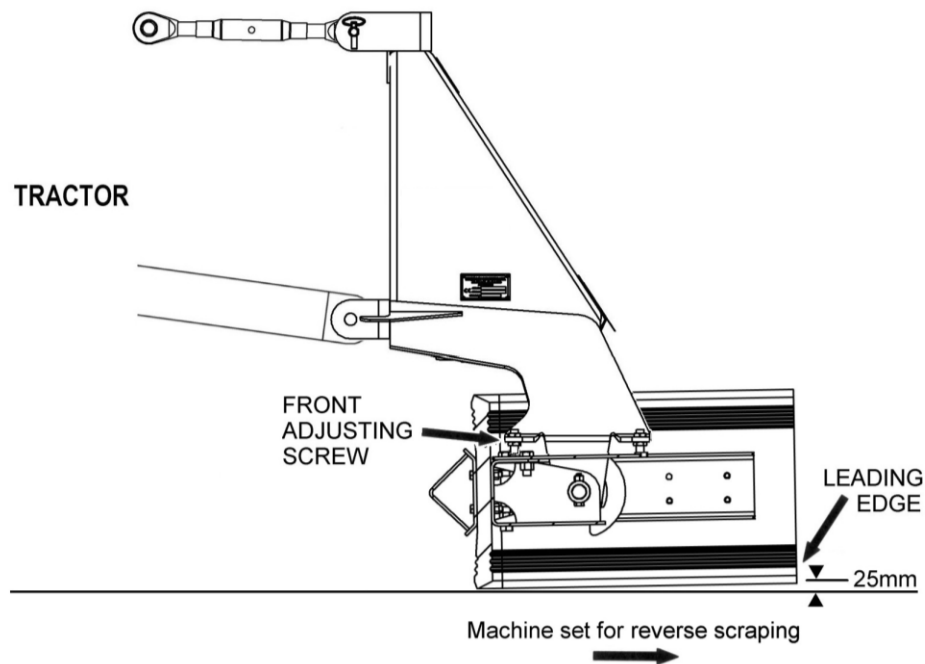
1. Attachment of the tractor to the machine should be performed on a firm level site.
2. Connect machine to three-point linkage of the tractor and couple up in the conventional manner using the correct link pins, spacers and linch pins.
3. Adjust ‘top link assembly’ length to a setting that positions the ‘A’ frame vertical to the ground – see illustration below.



4. Ensure scraper is sitting level on the ground (widthways) by adjusting leveling box on rear tractor linkage arm to suit.
5. The adjusting screws for setting main lower scraping section in relation to the headstock should now be checked and set. Adjustment screws are located on both sides of the headstock assembly.
6. Adjust the pair of rear screws ‘downwards’ to raise the front edge of the rubber until a dimension of 25mm (1”) is reached at the leading edge of the rubber on both sides (refer below), lock adjustment screws in position by tightening the locknuts.



7. Swing the base scraping section up and over through 180°, this will now put the machine into rear scraping mode, repeat the previous adjustment procedure to the same dimensions, but this time using the front pair of adjustment screws (*refer below*). Once completed the machine will be set for both forward and reverse scraping, no further adjustment should be required providing the tractor and top link length remain constant.



ROUTINE MAINTENANCE & LAYING UP

Weekly Maintenance Tasks

Grease pivot points and catch plunger.
(Do not over grease plunger as this will impair it's movement).

Check all nuts and bolts for tightness.

Pre-storage Maintenance Tasks

Clean machine thoroughly and note any damage or repairs needed, arrange for spares or repairs as required so the machine is fully prepared for the next seasons work.

Lubricate the machine fully.

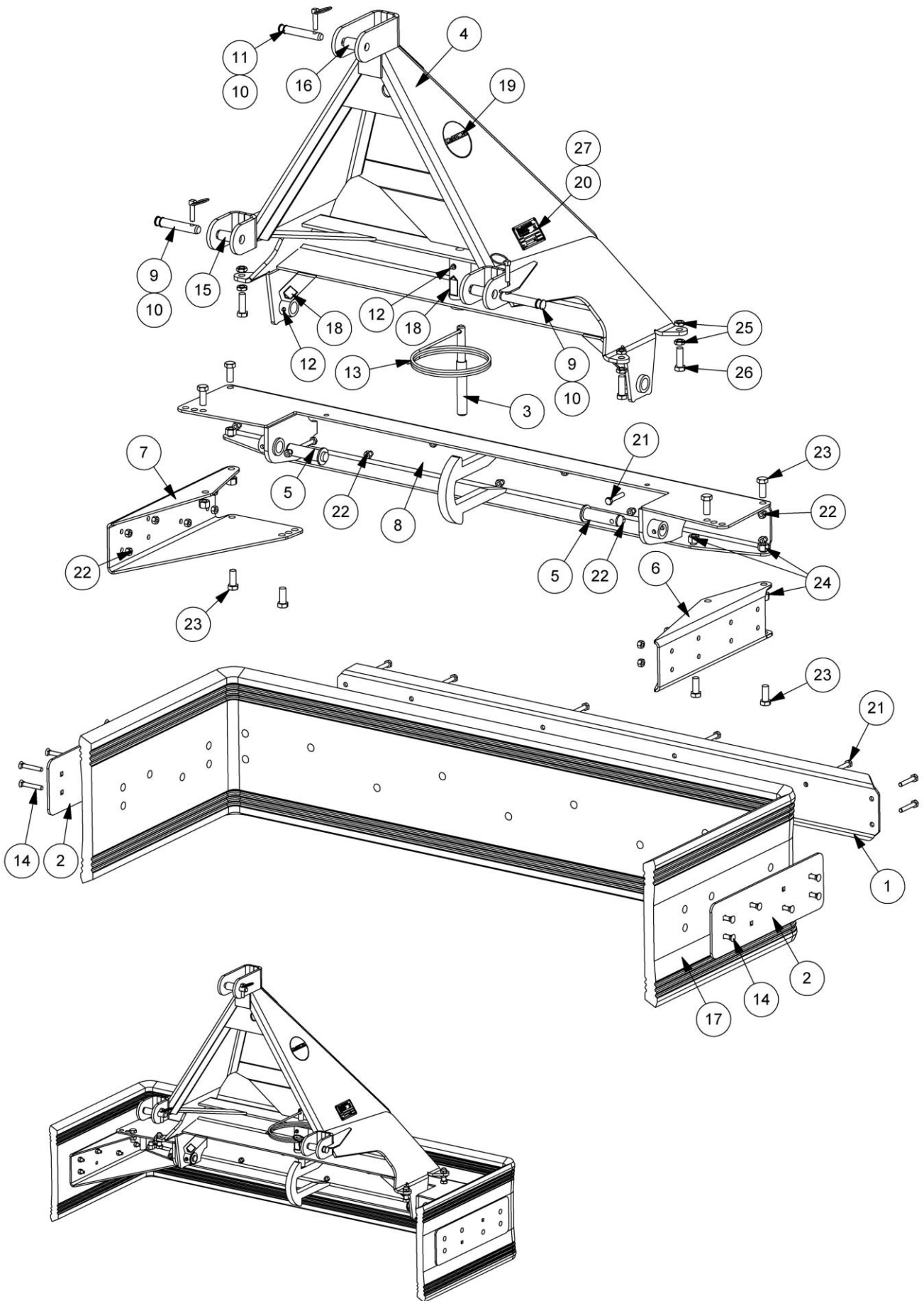
Store the machine in a safe, dry location protected from the elements.

YARDSCRAPERS

Models: M402G & M452G

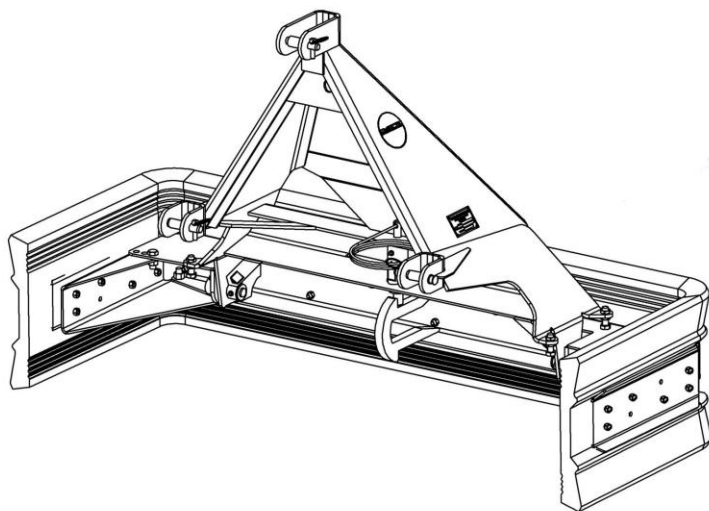
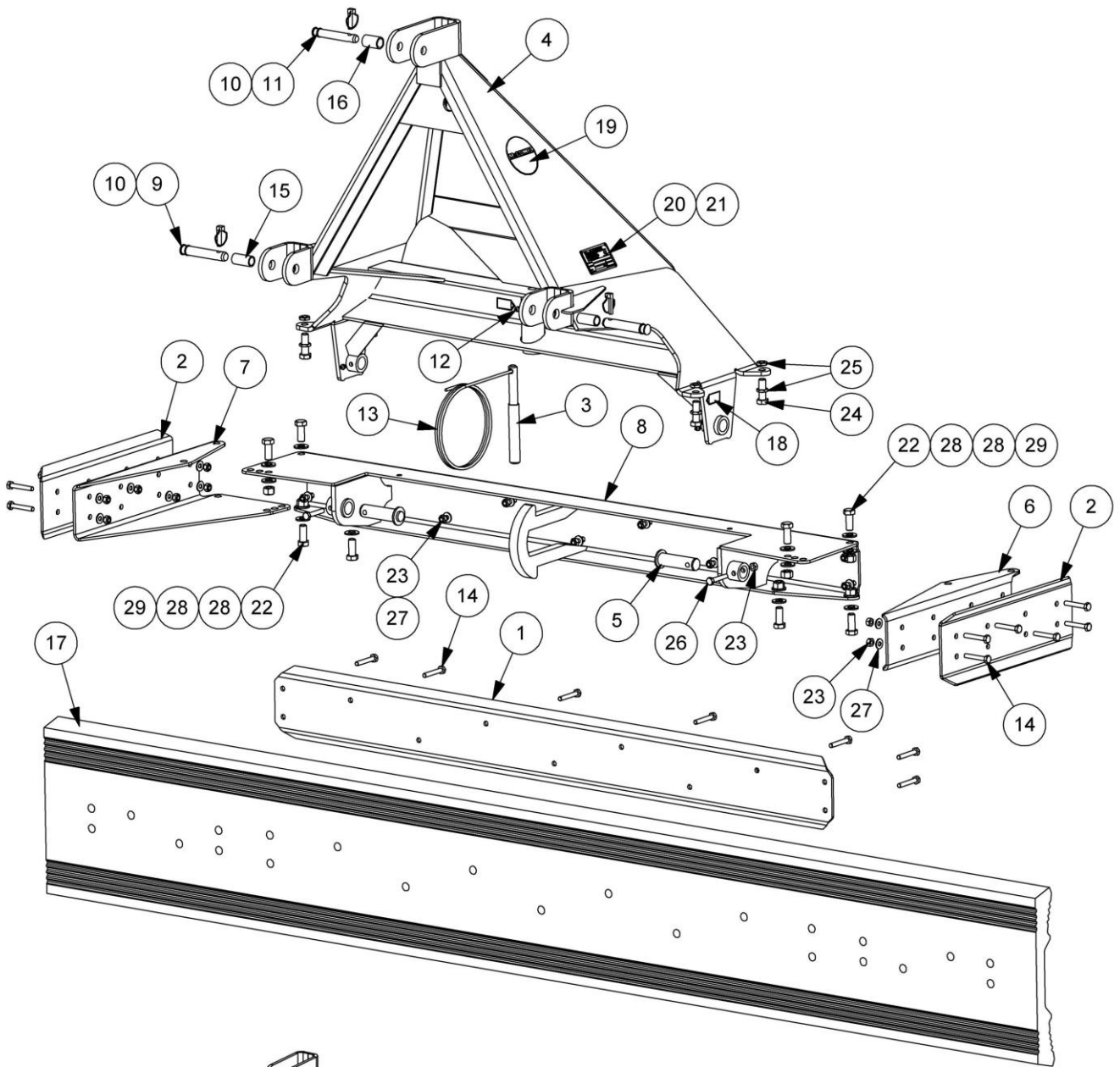
Parts Manual





Module(s): M402G

REF.	QTY.	PART No.	DESCRIPTION
		M402G	YARDSCRAPER - Model M402G
1	1	175.018	REAR CLAMP
2	2	175.019	SIDE PLATE
3	1	175.021	LOCKING PLUNGER
4	1	175.040	HEADSTOCK
5	2	175.041	PIVOT PIN
6	1	175.043L	WING (LEFT)
7	1	175.043R	WING (RIGHT)
8	1	175.044	MAIN FRAME
9	2	T0853	LINKAGE PIN
10	3	T0832	LINCH PIN
11	1	T1657	LINKAGE PIN
12	3	T2923	GREASE NIPPLE
13	1	T5869	TRIP ROPE
14	12	9293135	SQUARE SHOULDER BOLT
15	2	T120014	LOWER LINK SLEEVE (CAT 1-2)
16	1	T190050	TOP LINK SLEEVE (CAT 1-2)
17	1	141.057	RUBBER
18	3	T410201	DECAL - GREASE GUN
19	3	1291157	DECAL - MCCONNEL ROUNDEL
20	1	1335246	SERIAL No. PLATE
21	13	9213125	BOLT
22	25	9163005	NYLOC NUT
23	8	9313087	SETSCREW
24	8	9163007	NYLOC NUT
25	8	9133007	SELF-LOCKING NUT
26	4	9313107	SETSCREW
27	4	7103230	POP RIVET
28	23	9100105	FLAT WASHER
29	16	0100106	WASHER



Module(s): M452G

REF.	QTY.	PART No. M452G	DESCRIPTION YARDSCRAPER - Model M452G
1	1	175.018	REAR CLAMP
2	2	175.03	SIDE CLAMP
3	1	175.021	LOCKING PLUNGER
4	1	175.04	HEADSTOCK
5	2	175.041	PIVOT PIN
6	1	175.043L	175.043L
7	1	175.043R	175.043R
8	1	175.044	MAIN FRAME
9	2	T0853	LINKAGE PIN
10	3	00.372.01	LINCH PIN
11	1	T1657	LINKAGE PIN
12	3	T2923	GREASE NIPPLE
13	1	T5869	TRIP ROPE
14	23	9213135	BOLT
15	1	T120014	LOWER LINK SLEEVE (CAT 1-2)
16	2	T190050	TOP LINK SLEEVE (CAT 1-2)
17	1	175.026	RUBBER
18	3	T410201	DECAL - GREASE GUN
19	3	1291157	DECAL-MCCONNEL ROUNDEL
20	1	1335246	SERIAL No. PLATE
21	4	7103230	POP RIVET
22	8	9313087	SETSCREW
23	25	9163005	NYLOC NUT
24	4	9313107	SETSCREW
25	8	T2724	THIN NUT
26	2	9213125	BOLT
27	23	9100105	FLAT WASHER
28	16	0100106	FLAT WASHER
29	8	9163007	NYLOC NUT



McConnel Limited, Temeside Works, Ludlow, Shropshire SY8 1JL. England.
Telephone: 01584 873131. Facsimile: 01584 876463. www.mcconnel.com