

Publication 661
November 2010
Part No. 22674.61
Revised: 07.09.12



KIROGN LEM

MODULAR PRUNING UNITS

Models: LEM6000 / 6500 / 7000 Series

Parts Manual



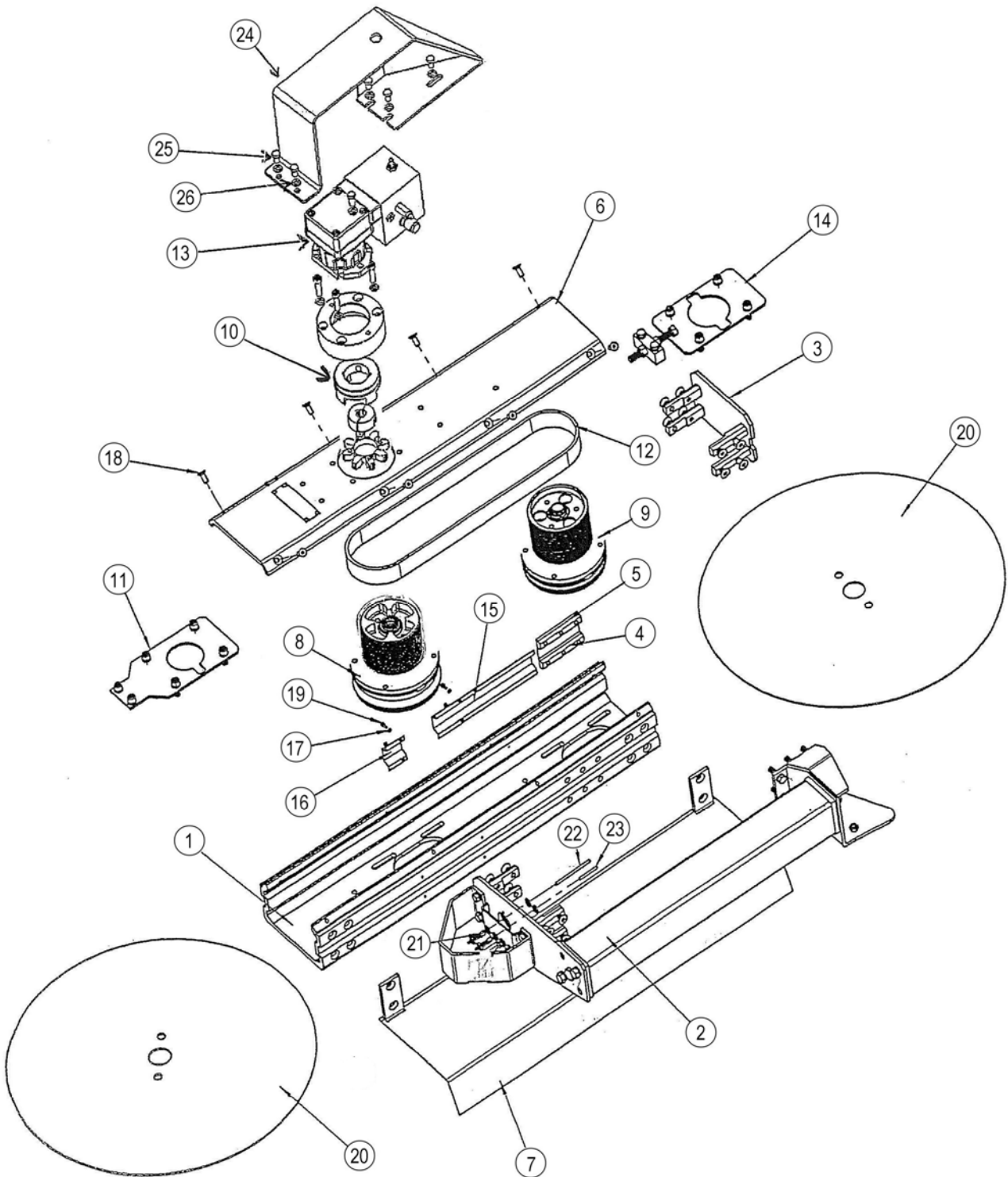
CONTENTS

| | |
|--|----|
| 2 Blade Heads | 2 |
| 4 Blade Heads | 4 |
| 1 Blade Extensions | 6 |
| 2 Blade Extensions | 8 |
| Attachment Assembly | 10 |
| End Plate Assembly | 12 |
| Bracing Connector Assembly | 13 |
| Motor Plate Assembly | 14 |
| Belt Tensioning Assembly | 15 |
| Drive Assembly (Short Shaft) – L/H Build | 16 |
| Drive Assembly (Short Shaft) – R/H Build | 18 |
| Drive Assembly (Long Shaft) – L/H Build | 20 |
| Drive Assembly (Long Shaft) – R/H Build | 22 |
| Motor Assembly | 24 |
| Coupling Assembly | 25 |
| Single Dish Assembly | 26 |
| Double Dish Assembly | 27 |
| Sawblades & Blade Keys | 28 |
| Bulkhead Greasing Assembly | 29 |

KIROGN LEM 2 BLADE HEADS

Module(s): 1069910, 1069920, 1069930, 1069940, 1069950, 1069960

McCONEL



KIROGN LEM 2 BLADE HEADS

McCONNEL

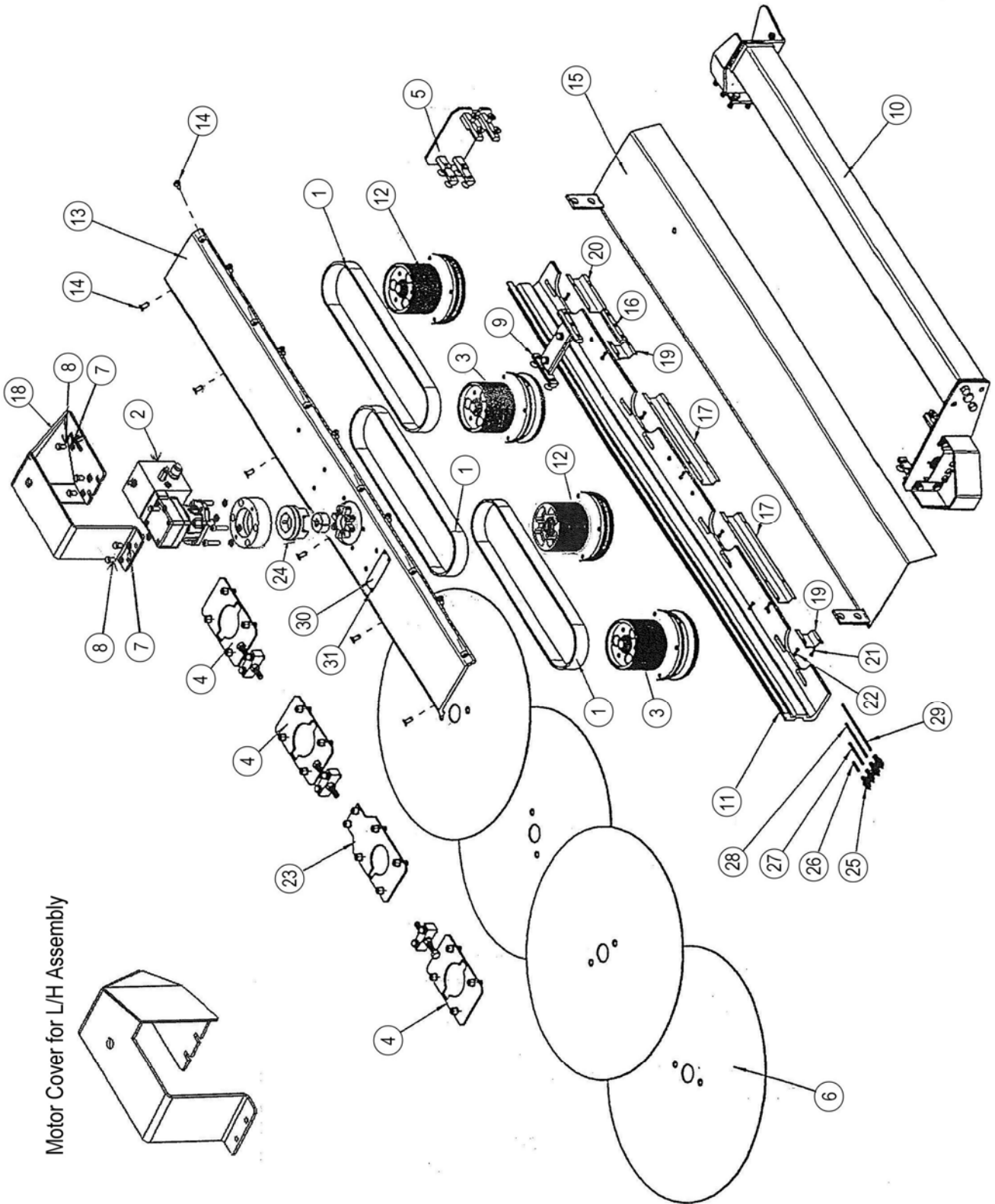
Module(s): 1069910, 1069920, 1069930, 1069940, 1069950, 1069960

| REF. | QTY. | PART No. | DESCRIPTION |
|------|-------------------------------|----------------|---|
| | | 1069910 | * KIROGN LEM L/H Build - 2 Blade (600mm) |
| | | 1069920 | * KIROGN LEM L/H Build - 2 Blade (650mm) |
| | | 1069930 | * KIROGN LEM L/H Build - 2 Blade (700mm) |
| | | 1069940 | ** KIROGN LEM R/H Build - 2 Blade (600mm) |
| | | 1069950 | ** KIROGN LEM R/H Build - 2 Blade (650mm) |
| | | 1069960 | ** KIROGN LEM R/H Build - 2 Blade (700mm) |
| 1 | 1 | 1069096 | FRAME |
| 2 | <i>Refer to specific page</i> | | ATTACHMENT ASSEMBLY |
| 3 | <i>Refer to specific page</i> | | END PLATE ASSEMBLY |
| 4 | 1 | 1069090 | CENTRE SECTION |
| 5 | 1 | 1069097 | PLATE |
| 6 | 1 | 1069098 | COVER |
| 7 | 1 | 1069099 | DEFLECTOR |
| 8 | <i>Refer to specific page</i> | | * DRIVE ASSEMBLY (LONG SHAFT) - L/H Build |
| | <i>Refer to specific page</i> | | ** DRIVE ASSEMBLY (LONG SHAFT) - R/H Build |
| 9 | <i>Refer to specific page</i> | | * DRIVE ASSEMBLY (SHORT SHAFT) - L/H Build |
| | <i>Refer to specific page</i> | | ** DRIVE ASSEMBLY (SHORT SHAFT) - R/H Build |
| 10 | <i>Refer to specific page</i> | | COUPLING ASSEMBLY |
| 11 | <i>Refer to specific page</i> | | MOTOR PLATE ASSEMBLY |
| 12 | 1 | 1069001 | BELT |
| 13 | <i>Refer to specific page</i> | | MOTOR ASSEMBLY |
| 14 | <i>Refer to specific page</i> | | BELT TENSIONING ASSEMBLY |
| 15 | 1 | 1069095 | GREASE TUBE COVER |
| 16 | 1 | 1069094 | GREASE TUBE COVER |
| 17 | 4 | 1069100 | WASHER |
| 18 | 8 | 1069025 | SCREW |
| 19 | 4 | 1069101 | SCREW |
| 20 | 2 | 1069812 | BLADE - 600mm |
| | 2 | 1069822 | BLADE - 650mm |
| | 2 | 1069832 | BLADE - 700mm |
| 21 | <i>Refer to specific page</i> | | BULKHEAD GREASER ASSEMBLY |
| 22 | 1 | 1069102 | TUBE - 990mm |
| 23 | 1 | 1069103 | TUBE - 510mm |
| 24 | 1 | - | * MOTOR COVER - L/H Build |
| | 1 | 1069092 | ** MOTOR COVER - R/H Build |
| 25 | 5 | 1069089 | SCREW |
| 26 | 5 | 1069031 | WASHER |

KIROGN LEM 4 BLADE HEADS

Module(s): 1069912, 1069922, 1069932, 1069942, 1069952, 1069962

McCONEL



KIROGN LEM 4 BLADE HEADS

McCONNEL

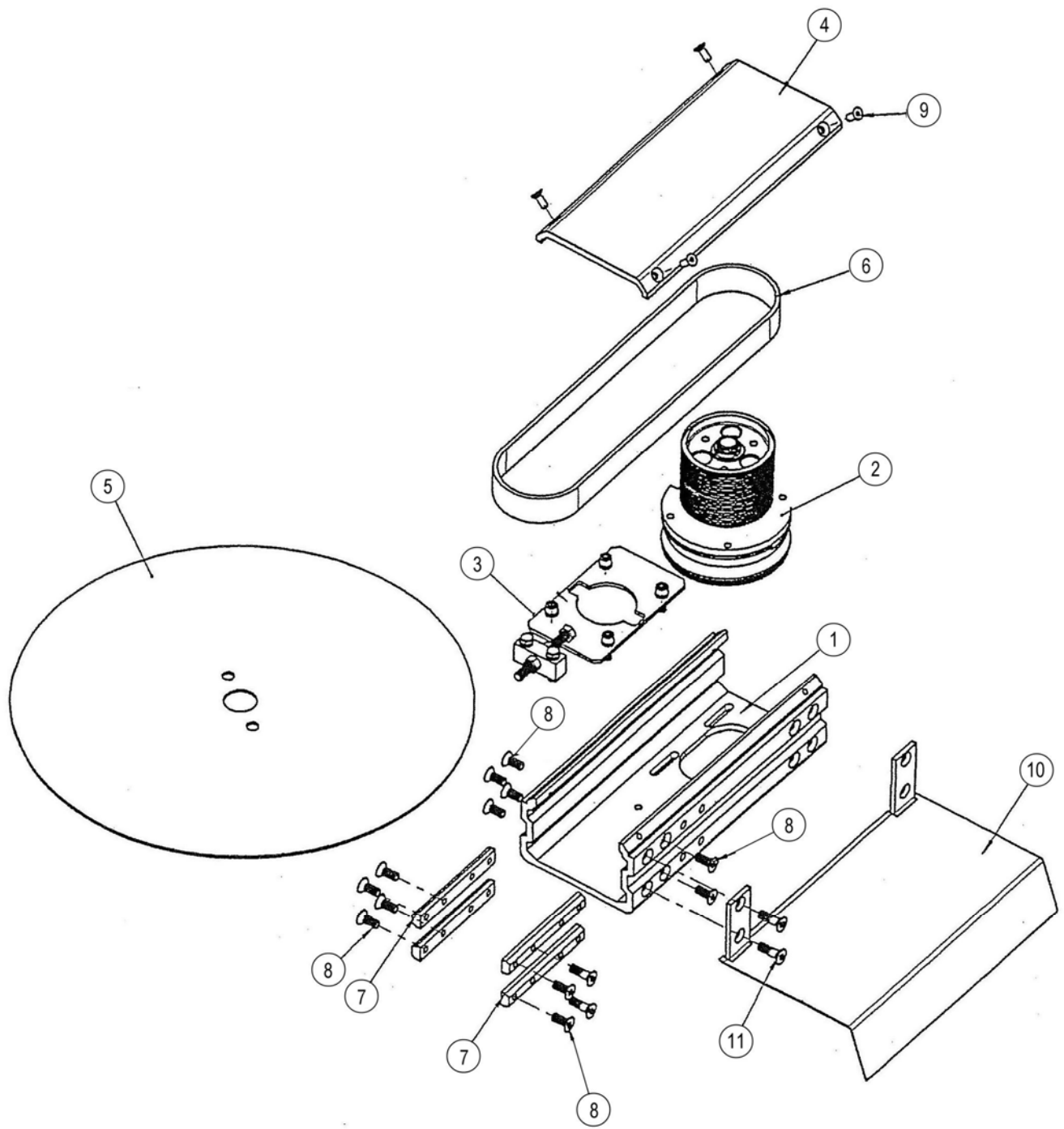
Module(s): 1069912, 1069922, 1069932, 1069942, 1069952, 1069962

| REF. | QTY. | PART No. | DESCRIPTION |
|------|-------------------------------|----------------|---|
| | | 1069912 | * KIROGN LEM L/H Build - 4 Blade (600mm) |
| | | 1069922 | * KIROGN LEM L/H Build - 4 Blade (650mm) |
| | | 1069932 | * KIROGN LEM L/H Build - 4 Blade (700mm) |
| | | 1069942 | ** KIROGN LEM R/H Build - 4 Blade (600mm) |
| | | 1069952 | ** KIROGN LEM R/H Build - 4 Blade (650mm) |
| | | 1069962 | ** KIROGN LEM R/H Build - 4 Blade (700mm) |
| 1 | 3 | 1069001 | BELT |
| 2 | <i>Refer to specific page</i> | | MOTOR ASSEMBLY |
| 3 | <i>Refer to specific page</i> | | * DRIVE ASSEMBLY (LONG SHAFT) - L/H Build |
| | <i>Refer to specific page</i> | | ** DRIVE ASSEMBLY (LONG SHAFT) - R/H Build |
| 4 | <i>Refer to specific page</i> | | BELT TENSIONING ASSEMBLY |
| 5 | <i>Refer to specific page</i> | | END PLATE ASSEMBLY |
| 6 | 4 | 1069812 | BLADE - 600mm |
| | 4 | 1069822 | BLADE - 650mm |
| | 4 | 1069832 | BLADE - 700mm |
| 7 | 5 | 1069031 | WASHER |
| 8 | 5 | 1069089 | SCREW |
| 9 | <i>Refer to specific page</i> | | BRACING CONNECTOR ASSEMBLY |
| 10 | <i>Refer to specific page</i> | | ATTACHMENT ASSEMBLY |
| 11 | 1 | 1069093 | FRAME |
| 12 | <i>Refer to specific page</i> | | * DRIVE ASSEMBLY (SHORT SHAFT) - L/H Build |
| | <i>Refer to specific page</i> | | ** DRIVE ASSEMBLY (SHORT SHAFT) - R/H Build |
| 13 | 1 | 1069086 | COVER |
| 14 | 12 | 1069025 | SCREW |
| 15 | 1 | 1069087 | DEFLECTOR |
| 16 | 1 | 1069090 | CENTRE SECTION |
| 17 | 2 | 1069091 | GREASE TUBE COVER |
| 18 | 1 | - | * MOTOR COVER - L/H Build |
| | 1 | 1069092 | ** MOTOR COVER - R/H Build |
| 19 | 2 | 1069094 | GREASE TUBE COVER |
| 20 | 1 | 1069095 | GREASE TUBE COVER |
| 21 | 14 | 1069096 | WASHER |
| 22 | 14 | 1069101 | SCREW |
| 23 | <i>Refer to specific page</i> | | MOTOR PLATE ASSEMBLY |
| 24 | <i>Refer to specific page</i> | | COUPLING ASSEMBLY |
| 25 | <i>Refer to specific page</i> | | BULKHEAD GREASER ASSEMBLY |
| 26 | 1 | 1069069 | TUBE - 340mm |
| 27 | 1 | 1069070 | TUBE - 820mm |
| 28 | 1 | 1069071 | TUBE - 1320mm |
| 29 | 1 | 1069072 | TUBE - 1830mm |

1 BLADE EXTENSIONS

Module(s): 1069810, 1069820, 1069830, 1069813, 1069823, 1069833

McCONEL



1 BLADE EXTENSIONS

McCONNEL

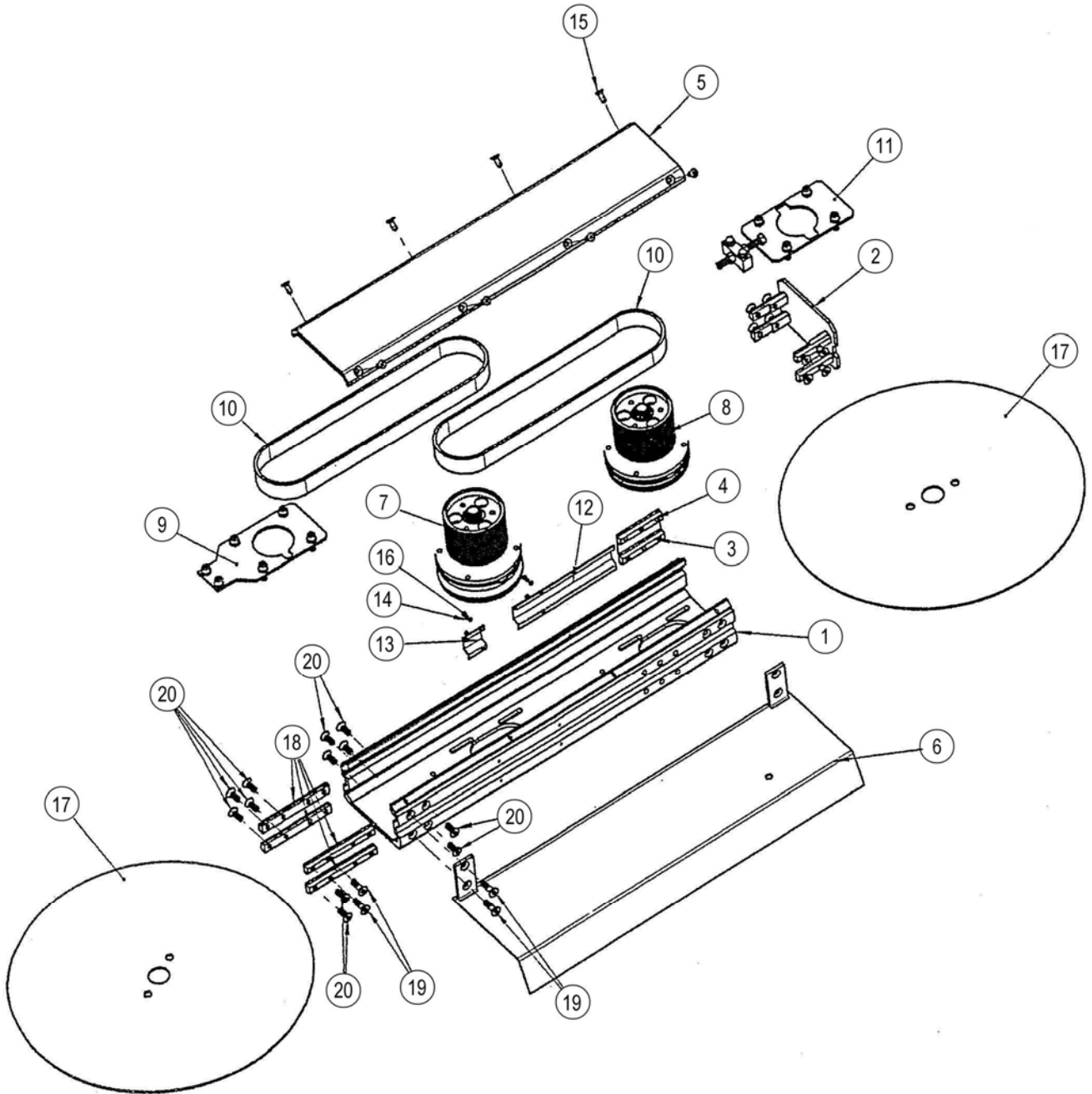
Module(s): 1069810, 1069820, 1069830, 1069813, 1069823, 1069833

| REF. | QTY. | PART No. | DESCRIPTION |
|------|------|-------------------------------|---|
| | | 1069810 | * EXTENSION L/H Build - 1 Blade (600mm) |
| | | 1069820 | * EXTENSION L/H Build - 1 Blade (650mm) |
| | | 1069830 | * EXTENSION L/H Build - 1 Blade (700mm) |
| | | 1069813 | ** EXTENSION R/H Build - 1 Blade (600mm) |
| | | 1069823 | ** EXTENSION R/H Build - 1 Blade (650mm) |
| | | 1069833 | ** EXTENSION R/H Build - 1 Blade (700mm) |
| 1 | 1 | 1069136 | FRAME (1 BLADE) |
| 2 | | <i>Refer to specific page</i> | * DRIVE ASSEMBLY (LONG SHAFT) - L/H Build |
| | | <i>Refer to specific page</i> | ** DRIVE ASSEMBLY (LONG SHAFT) - R/H Build |
| 3 | | <i>Refer to specific page</i> | BELT TENSIONING ASSEMBLY |
| 4 | 1 | 1069137 | COVER |
| 5 | 1 | 1069812 | BLADE - 600mm |
| | 1 | 1069822 | BLADE - 650mm |
| | 1 | 1069832 | BLADE - 700mm |
| 6 | 1 | 1069001 | BELT |
| 7 | 4 | 1069138 | SECTION PIECE |
| 8 | 12 | 1069114 | SCREW |
| 9 | 4 | 1069025 | SCREW |
| 10 | 1 | 1069139 | DEFLECTOR |
| 11 | 4 | 1069115 | SCREW |

2 BLADE EXTENSIONS

Module(s): 1069811, 1069821, 1069831, 1069814, 1069824, 1069834

McCONEL



2 BLADE EXTENSIONS

McCONNEL

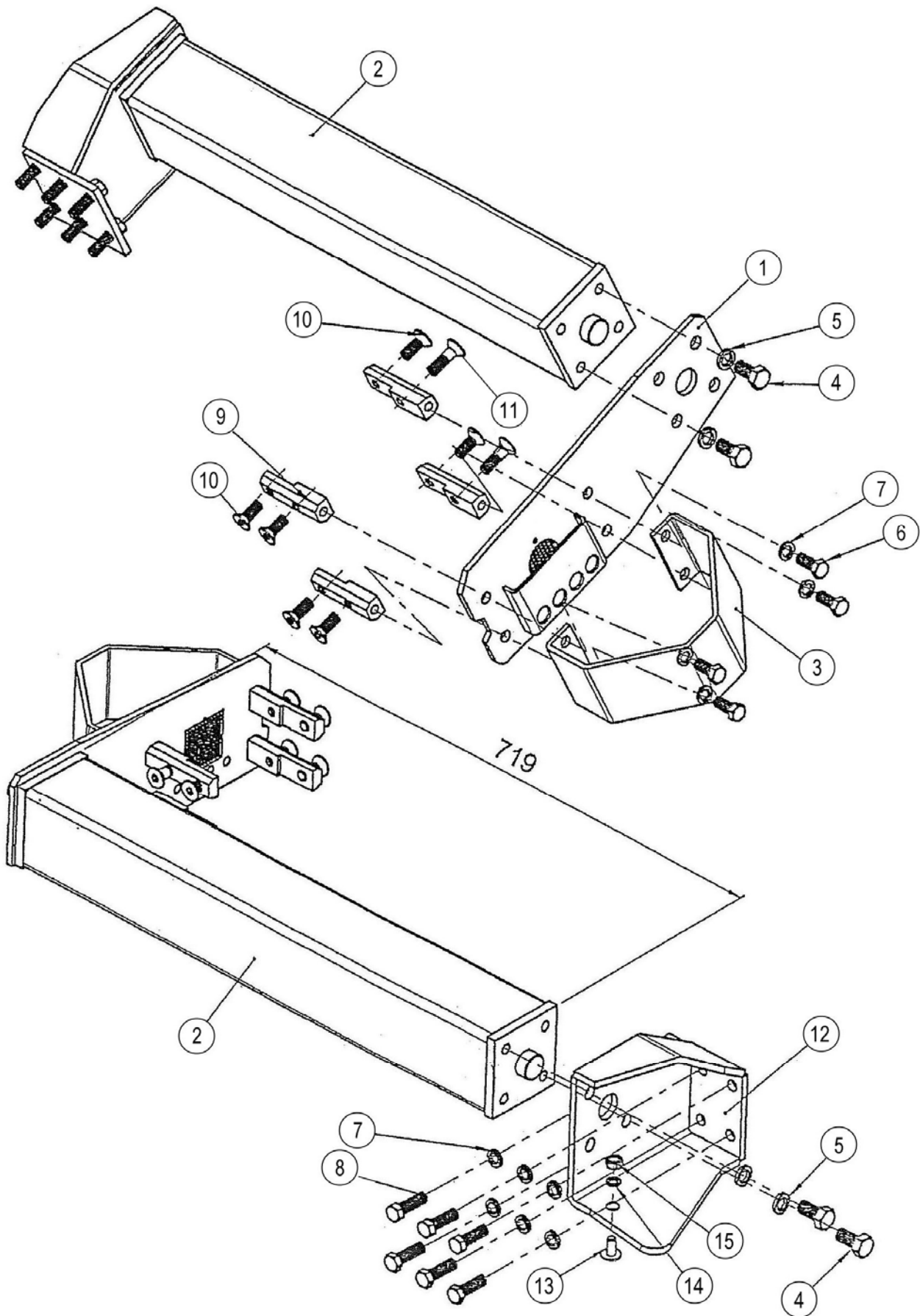
Module(s): 1069811, 1069821, 1069831, 1069814, 1069824, 1069834

| REF. | QTY. | PART No. | DESCRIPTION |
|------|-------------------------------|----------------|---|
| | | 1069811 | * EXTENSION L/H Build - 2 Blade (600mm) |
| | | 1069821 | * EXTENSION L/H Build - 2 Blade (650mm) |
| | | 1069831 | * EXTENSION L/H Build - 2 Blade (700mm) |
| | | 1069814 | ** EXTENSION R/H Build - 2 Blade (600mm) |
| | | 1069824 | ** EXTENSION R/H Build - 2 Blade (650mm) |
| | | 1069834 | ** EXTENSION R/H Build - 2 Blade (700mm) |
| 1 | 1 | 1069096 | FRAME (2 BLADE) |
| 2 | <i>Refer to specific page</i> | | END PLATE ASSEMBLY |
| 3 | 1 | 1069090 | CENTRE SECTION |
| 4 | 1 | 1069097 | PLATE |
| 5 | 1 | 1069098 | COVER |
| 6 | 1 | 1069099 | DEFLECTOR |
| 7 | <i>Refer to specific page</i> | | * DRIVE ASSEMBLY (LONG SHAFT) - L/H Build |
| | <i>Refer to specific page</i> | | ** DRIVE ASSEMBLY (LONG SHAFT) - R/H Build |
| 8 | <i>Refer to specific page</i> | | * DRIVE ASSEMBLY (SHORT SHAFT) - L/H Build |
| | <i>Refer to specific page</i> | | ** DRIVE ASSEMBLY (SHORT SHAFT) - R/H Build |
| 9 | <i>Refer to specific page</i> | | MOTOR PLATE ASSEMBLY |
| 10 | 2 | 1069001 | BELT |
| 11 | <i>Refer to specific page</i> | | BELT TENSIONING ASSEMBLY |
| 12 | 1 | 1069095 | GREASE TUBE COVER |
| 13 | 1 | 1069094 | GREASE TUBE COVER |
| 14 | 4 | 1069100 | WASHER |
| 15 | 8 | 1069025 | SCREW |
| 16 | 4 | 1069101 | SCREW |
| 17 | 2 | 1069812 | BLADE - 600mm |
| | 2 | 1069822 | BLADE - 650mm |
| | 2 | 1069832 | BLADE - 700mm |
| 18 | 4 | 1069138 | SECTION PIECE |
| 19 | 4 | 1069115 | SCREW |
| 20 | 12 | 1069114 | SCREW |

ATTACHMENT ASSEMBLY

Module(s): All Builds

McCONEL



ATTACHMENT ASSEMBLY**McCONNEL**

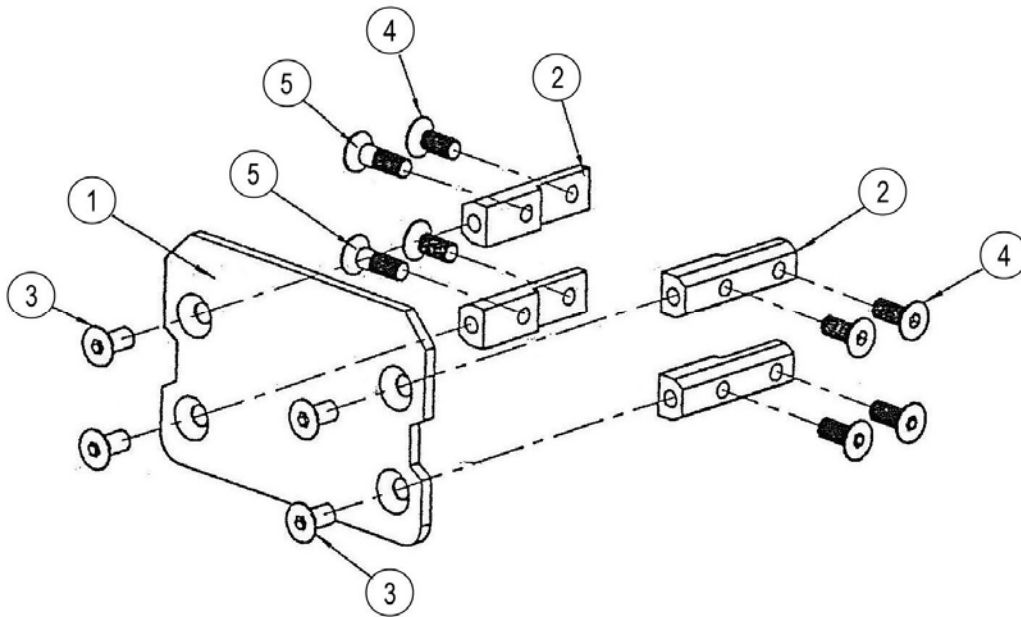
Module(s): All Builds

| REF. | QTY. | PART No. | DESCRIPTION |
|-------------|-------------|-----------------|--|
| | | | ATTACHMENT ASSEMBLY |
| 1 | 1 | 1069104 | END PLATE |
| 2 | 1 | 1069107 | MOUNTING BRACKET (70mm) - 2 & 3 Blade |
| | 1 | 1069105 | MOUNTING BRACKET (100mm) - 2 & 3 Blade |
| | 1 | 1069108 | MOUNTING BRACKET (70mm) - 4 & 5 Blade |
| | 1 | 1069106 | MOUNTING BRACKET (100mm) - 4 & 5 Blade |
| 3 | 1 | 1069109 | FOOT |
| 4 | 4 | 1069110 | SCREW |
| 5 | 4 | 1069111 | WASHER |
| 6 | 4 | 1069112 | SCREW |
| 7 | 10 | 1069031 | WASHER |
| 8 | 6 | 1069113 | SCREW |
| 9 | 4 | 1069003 | GUIDE |
| 10 | 6 | 1069114 | SCREW |
| 11 | 2 | 1069115 | SCREW |
| 12 | 1 | 1069116 | SUPPORT |
| 13 | 1 | 1069117 | SCREW |
| 14 | 1 | 1069118 | WASHER |
| 15 | 1 | 1069119 | NUT |

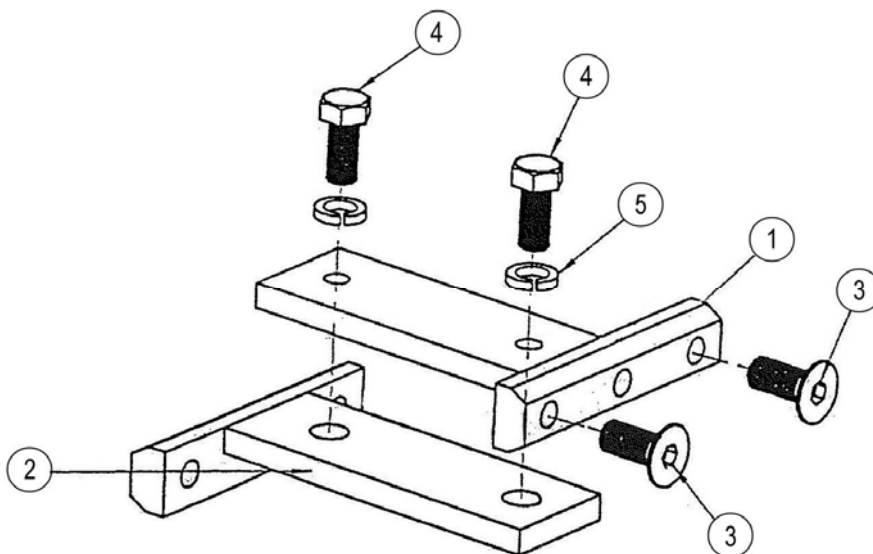
END PLATE ASSEMBLY

McCONNEL

Module(s): All Builds



| REF. | QTY. | PART No. | DESCRIPTION |
|------|------|----------|---------------------------|
| | | | END PLATE ASSEMBLY |
| 1 | 1 | 1069002 | PLATE |
| 2 | 4 | 1069003 | GUIDE |
| 3 | 4 | 1069120 | SCREW |
| 4 | 6 | 1069114 | SCREW |
| 5 | 2 | 1069115 | SCREW |

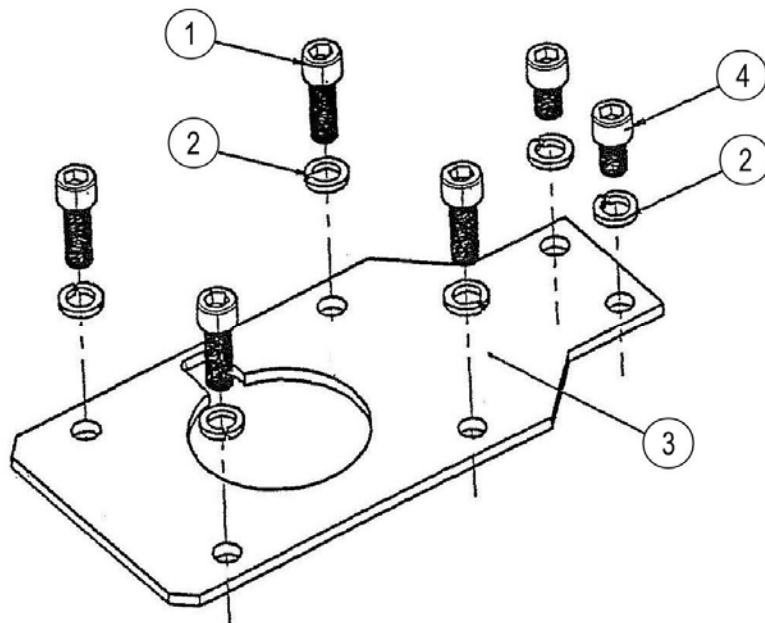


| REF. | QTY. | PART No. | DESCRIPTION |
|------|------|----------|-----------------------------------|
| | | | BRACING CONNECTOR ASSEMBLY |
| 1 | 1 | 1069004 | CONNECTOR - TOP |
| 2 | 1 | 1069005 | CONNECTOR - BOTTOM |
| 3 | 2 | 1069114 | SCREW |
| 4 | 2 | 1069089 | SCREW |
| 5 | 2 | 1069031 | WASHER |

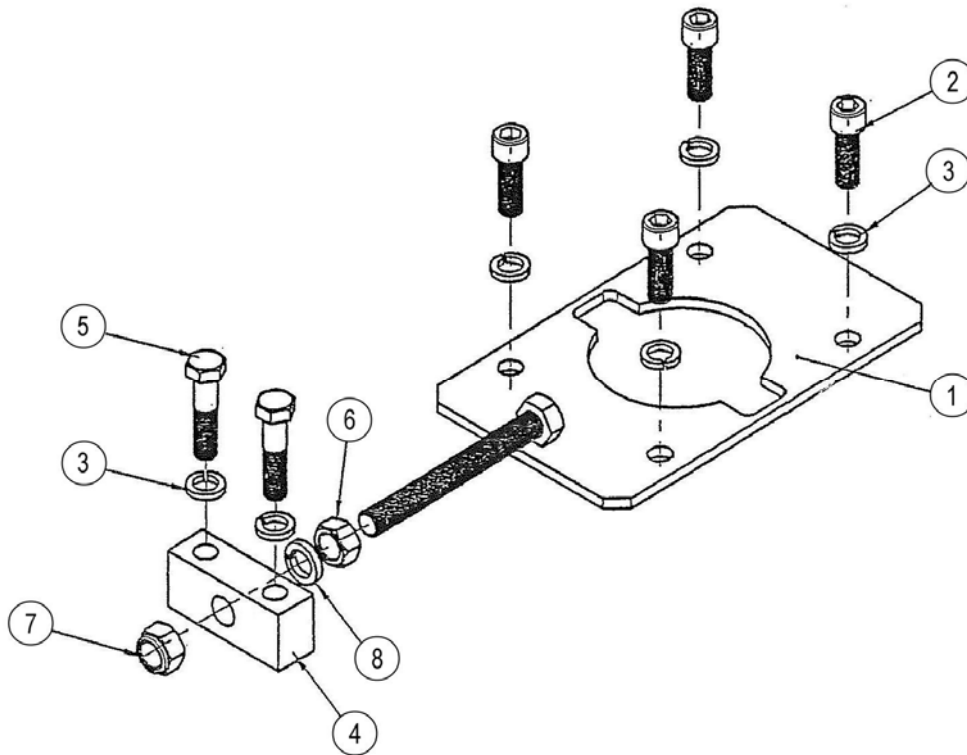
MOTOR PLATE ASSEMBLY

McCONNEL

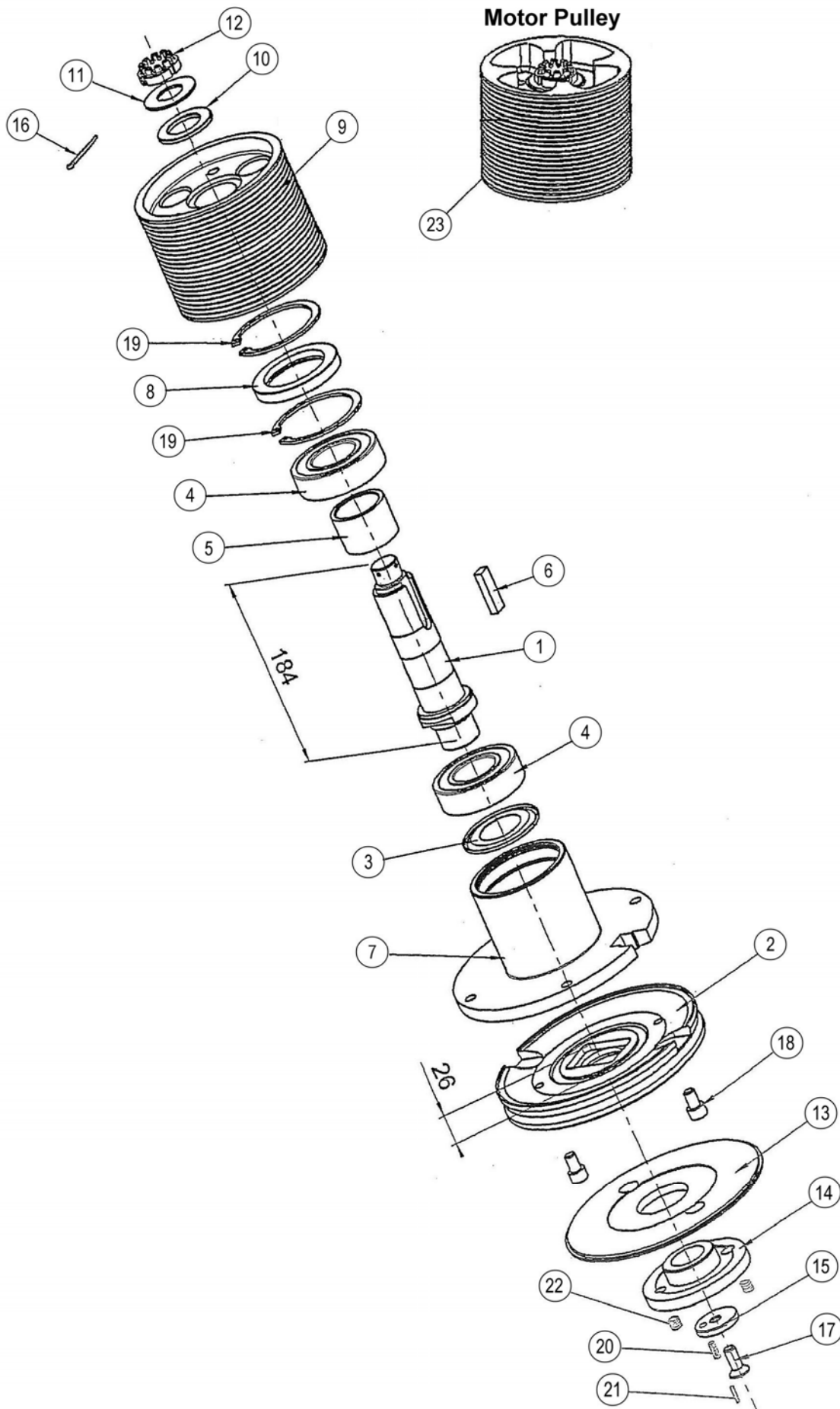
Module(s): All Builds



| REF. | QTY. | PART No. | DESCRIPTION |
|------|------|----------|-----------------------------|
| | | | MOTOR PLATE ASSEMBLY |
| 1 | 4 | 1069006 | SCREW |
| 2 | 6 | 1069031 | WASHER |
| 3 | 1 | 1069007 | MOTOR JOINING PLATE |
| 4 | 2 | 1069120 | SCREW |



| REF. | QTY. | PART No. | DESCRIPTION |
|------|------|----------|---------------------------------|
| | | | BELT TENSIONING ASSEMBLY |
| 1 | 1 | 1069008 | TENSIONING PLATE |
| 2 | 4 | 1069006 | SCREW |
| 3 | 6 | 1069031 | WASHER |
| 4 | 1 | 1069009 | TENSIONING BLOCK |
| 5 | 2 | 1069122 | SCREW |
| 6 | 1 | 1069123 | NUT |
| 7 | 1 | 1069124 | LOCKNUT |
| 8 | 1 | 1069111 | WASHER |



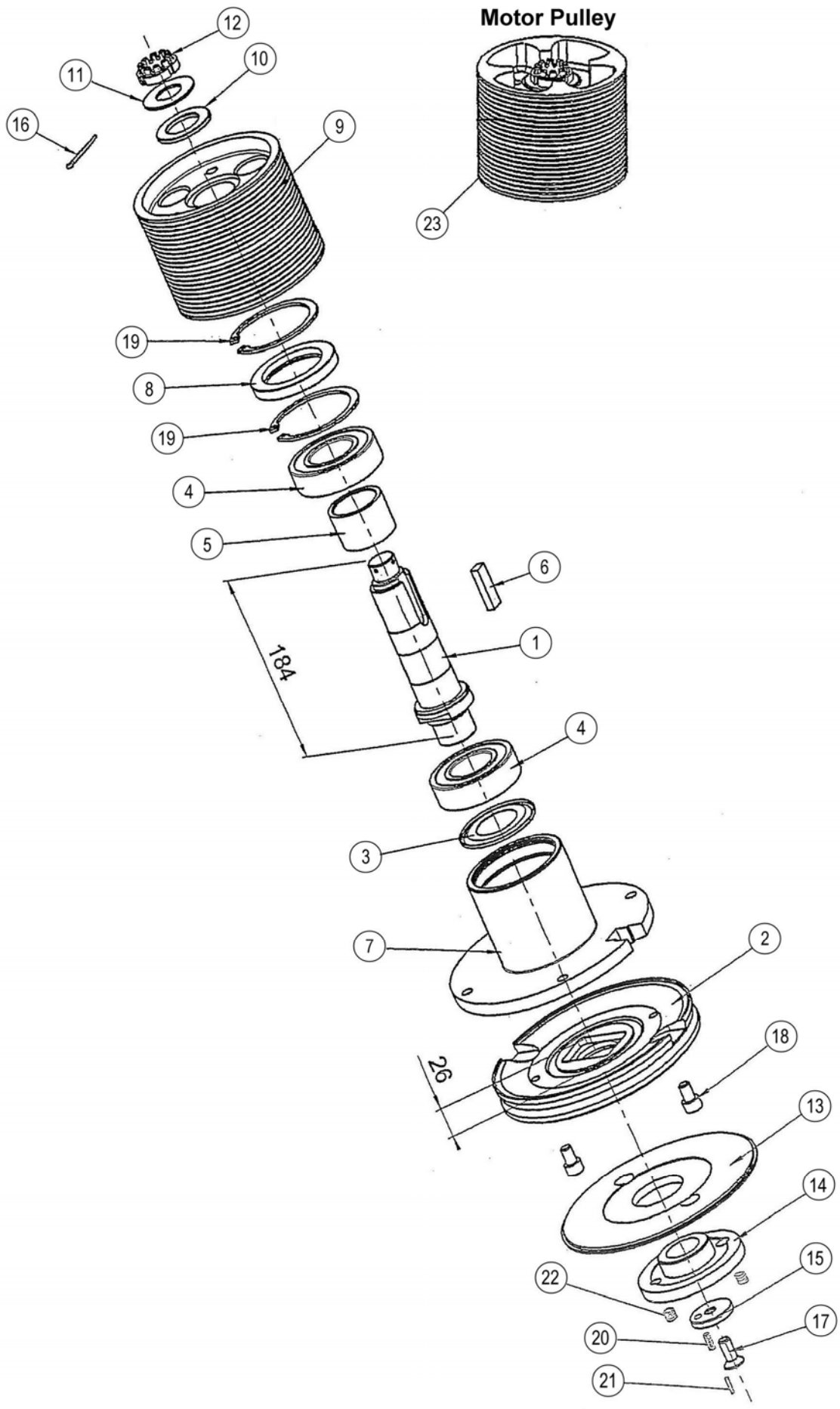
Module(s): L/H Builds

| REF. | QTY. | PART No. | DESCRIPTION |
|------|------|----------|---|
| | | | DRIVE ASSEMBLY (SHORT SHAFT) - L/H Build |
| 1 | 1 | 1069125 | SHORT SHAFT - L/H Thread |
| 2 | 1 | 1069011 | PULLEY |
| 3 | 1 | 1069012 | SEAL |
| 4 | 2 | 1069013 | BEARING |
| 5 | 1 | 1069014 | SPACER |
| 6 | 1 | 1069015 | KEY |
| 7 | 1 | 1069016 | HUB |
| 8 | 1 | 1069017 | SEAL |
| 9 | 1 | 1069018 | PULLEY |
| 10 | 1 | 1069019 | WASHER |
| 11 | 1 | 1069020 | WASHER |
| 12 | 1 | 1069021 | NUT |
| 13 | 1 | 1069022 | HOUSING |
| 14 | 1 | 1069075 | LOCKNUT - L/H Thread |
| 15 | 1 | 1069024 | WASHER |
| 16 | 1 | 1069063 | SPLIT PIN |
| 17 | 1 | 1069074 | SCREW - L/H Thread |
| 18 | 2 | 1069046 | SCREW |
| 19 | 2 | 1069026 | INTERNAL CIRCLIP |
| 20 | 1 | 1069047 | ROLL PIN |
| 21 | 1 | 1069048 | ROLL PIN |
| 22 | 2 | 1069073 | GRUB SCREW |
| 23 | 1 | 1069126 | PULLEY (Motor) |

DRIVE ASSEMBLY (SHORT SHAFT) – R/H Build

Module(s): R/H Builds

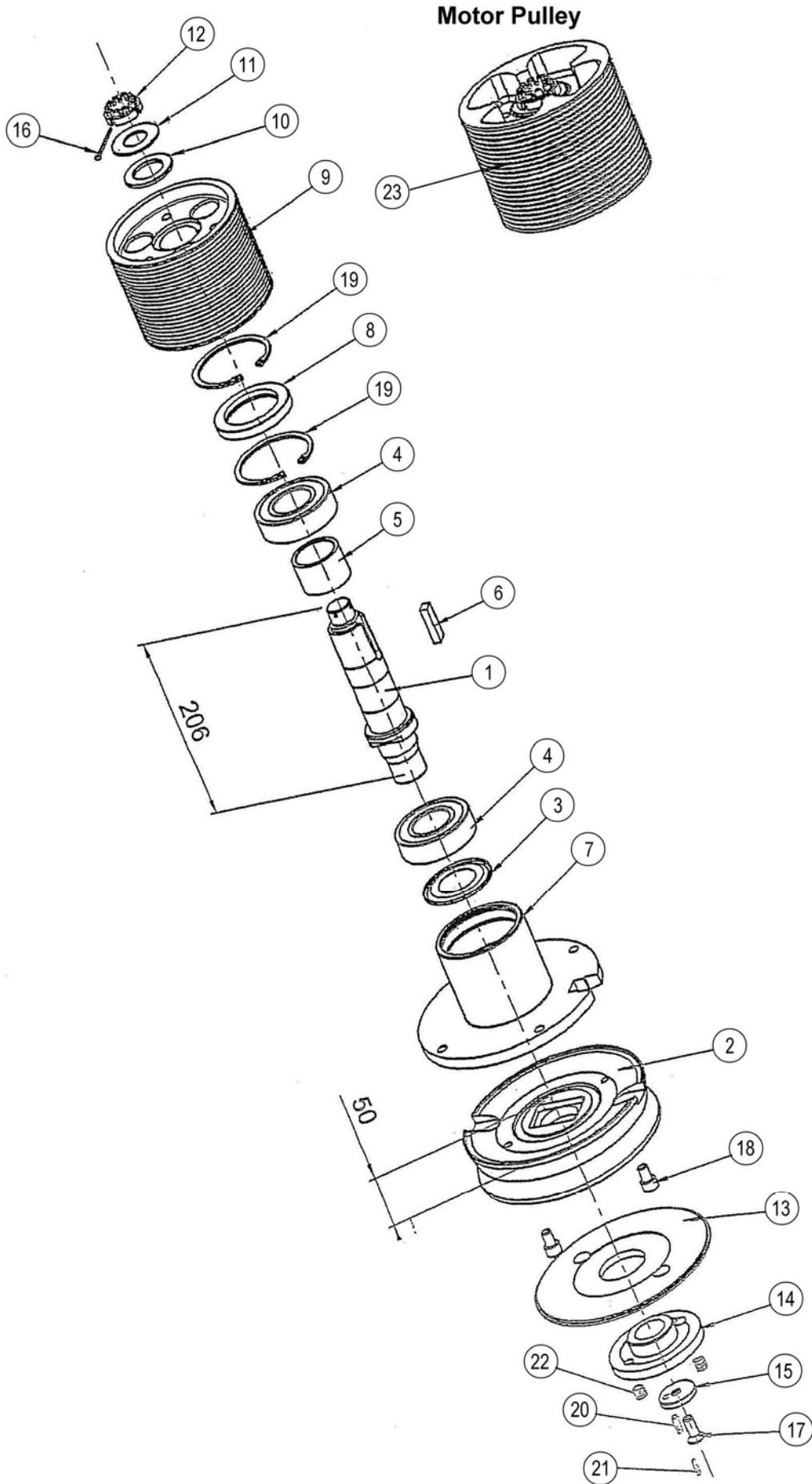
McCONEL



Module(s): R/H Builds

| REF. | QTY. | PART No. | DESCRIPTION |
|-------------|-------------|-----------------|---|
| | | | DRIVE ASSEMBLY (SHORT SHAFT) - R/H Build |
| 1 | 1 | 1069010 | SHORT SHAFT |
| 2 | 1 | 1069011 | PULLEY |
| 3 | 1 | 1069012 | SEAL |
| 4 | 2 | 1069013 | BEARING |
| 5 | 1 | 1069014 | SPACER |
| 6 | 1 | 1069015 | KEY |
| 7 | 1 | 1069016 | HUB |
| 8 | 1 | 1069017 | SEAL |
| 9 | 1 | 1069018 | PULLEY |
| 10 | 1 | 1069019 | WASHER |
| 11 | 1 | 1069020 | WASHER |
| 12 | 1 | 1069021 | NUT |
| 13 | 1 | 1069022 | HOUSING |
| 14 | 1 | 1069140 | LOCKNUT |
| 15 | 1 | 1069024 | WASHER |
| 16 | 1 | 1069063 | SPLIT PIN |
| 17 | 1 | 1069025 | SCREW |
| 18 | 2 | 1069046 | SCREW |
| 19 | 2 | 1069026 | INTERNAL CIRCLIP |
| 20 | 1 | 1069047 | ROLL PIN |
| 21 | 1 | 1069048 | ROLL PIN |
| 22 | 2 | 1069073 | GRUB SCREW |
| 23 | 1 | 1069126 | PULLEY (Motor) |

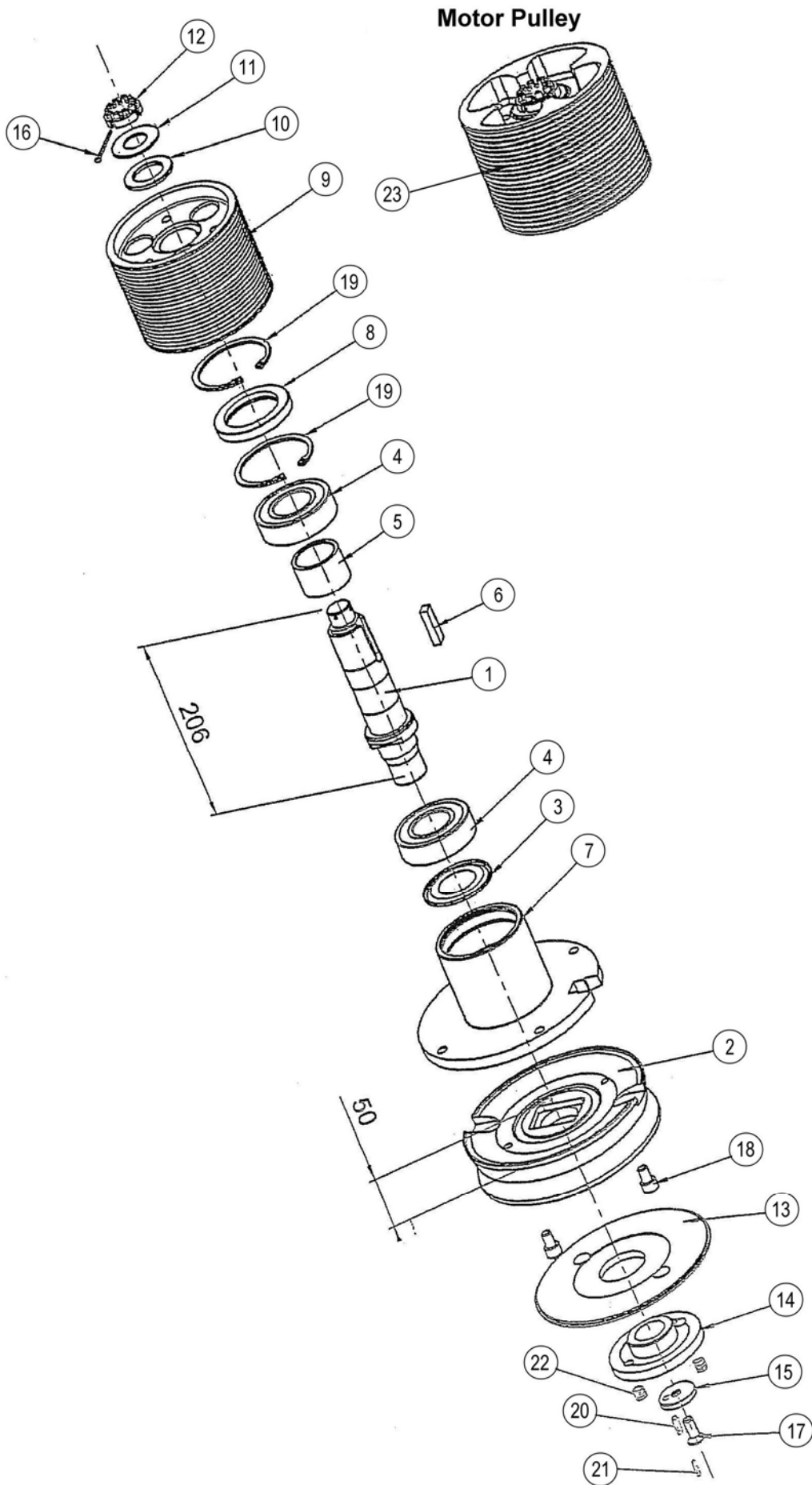
Module(s): L/H Builds



Module(s): L/H Builds

| REF. | QTY. | PART No. | DESCRIPTION |
|-------------|-------------|-----------------|--|
| | | | DRIVE ASSEMBLY (LONG SHAFT) - L/H Build |
| 1 | 1 | 1069141 | LONG SHAFT - L/H Thread |
| 2 | 1 | 1069127 | WIDE DISH |
| 3 | 1 | 1069012 | SEAL |
| 4 | 2 | 1069013 | BEARING |
| 5 | 1 | 1069014 | SPACER |
| 6 | 1 | 1069015 | KEY |
| 7 | 1 | 1069016 | HUB |
| 8 | 1 | 1069017 | SEAL |
| 9 | 1 | 1069018 | PULLEY |
| 10 | 1 | 1069019 | WASHER |
| 11 | 1 | 1069020 | WASHER |
| 12 | 1 | 1069021 | NUT |
| 13 | 1 | 1069022 | HOUSING |
| 14 | 1 | 1069075 | LOCKNUT - L/H Thread |
| 15 | 1 | 1069024 | WASHER |
| 16 | 1 | 1069063 | SPLIT PIN |
| 17 | 1 | 1069074 | SCREW - L/H Thread |
| 18 | 2 | 1069046 | SCREW |
| 19 | 2 | 1069026 | INTERNAL CIRCLIP |
| 20 | 1 | 1069047 | ROLL PIN |
| 21 | 1 | 1069048 | ROLL PIN |
| 22 | 2 | 1069073 | GRUB SCREW |
| 23 | 1 | 1069126 | PULLEY (Motor) |

Module(s): R/H Builds



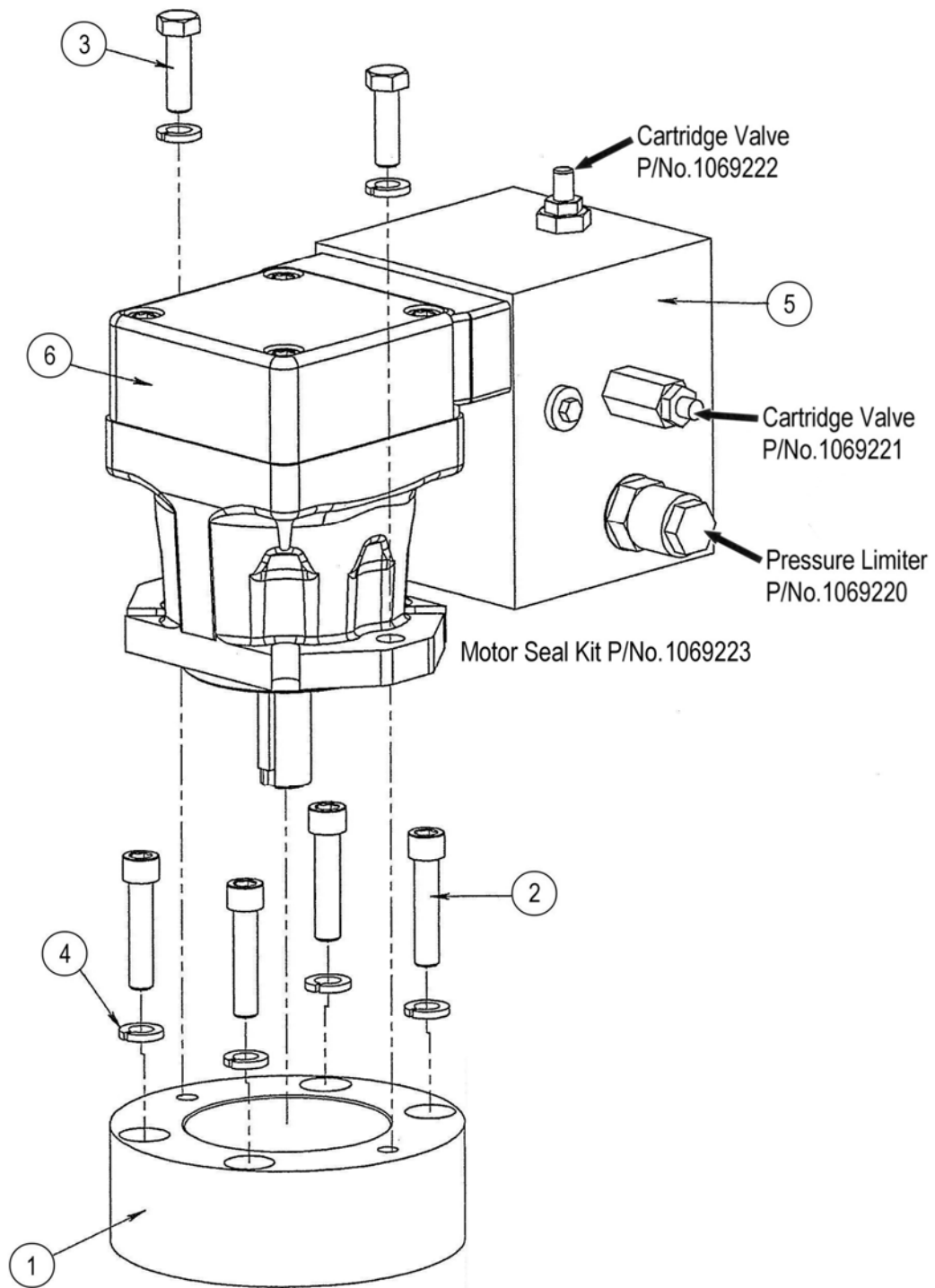
Module(s): R/H Builds

| REF. | QTY. | PART No. | DESCRIPTION |
|-------------|-------------|-----------------|--|
| | | | DRIVE ASSEMBLY (LONG SHAFT) - R/H Build |
| 1 | 1 | 1069027 | LONG SHAFT |
| 2 | 1 | 1069127 | WIDE DISH |
| 3 | 1 | 1069012 | SEAL |
| 4 | 2 | 1069013 | BEARING |
| 5 | 1 | 1069014 | SPACER |
| 6 | 1 | 1069015 | KEY |
| 7 | 1 | 1069016 | HUB |
| 8 | 1 | 1069017 | SEAL |
| 9 | 1 | 1069018 | PULLEY |
| 10 | 1 | 1069019 | WASHER |
| 11 | 1 | 1069020 | WASHER |
| 12 | 1 | 1069021 | NUT |
| 13 | 1 | 1069022 | HOUSING |
| 14 | 1 | 1069140 | LOCKNUT |
| 15 | 1 | 1069024 | WASHER |
| 16 | 1 | 1069063 | SPLIT PIN |
| 17 | 1 | 1069025 | SCREW |
| 18 | 2 | 1069046 | SCREW |
| 19 | 2 | 1069026 | INTERNAL CIRCLIP |
| 20 | 1 | 1069047 | ROLL PIN |
| 21 | 1 | 1069048 | ROLL PIN |
| 22 | 2 | 1069073 | GRUB SCREW |
| 23 | 1 | 1069126 | PULLEY (Motor) |

MOTOR ASSEMBLY (45cc)

McCONEL

Module(s): All Builds (45cc)

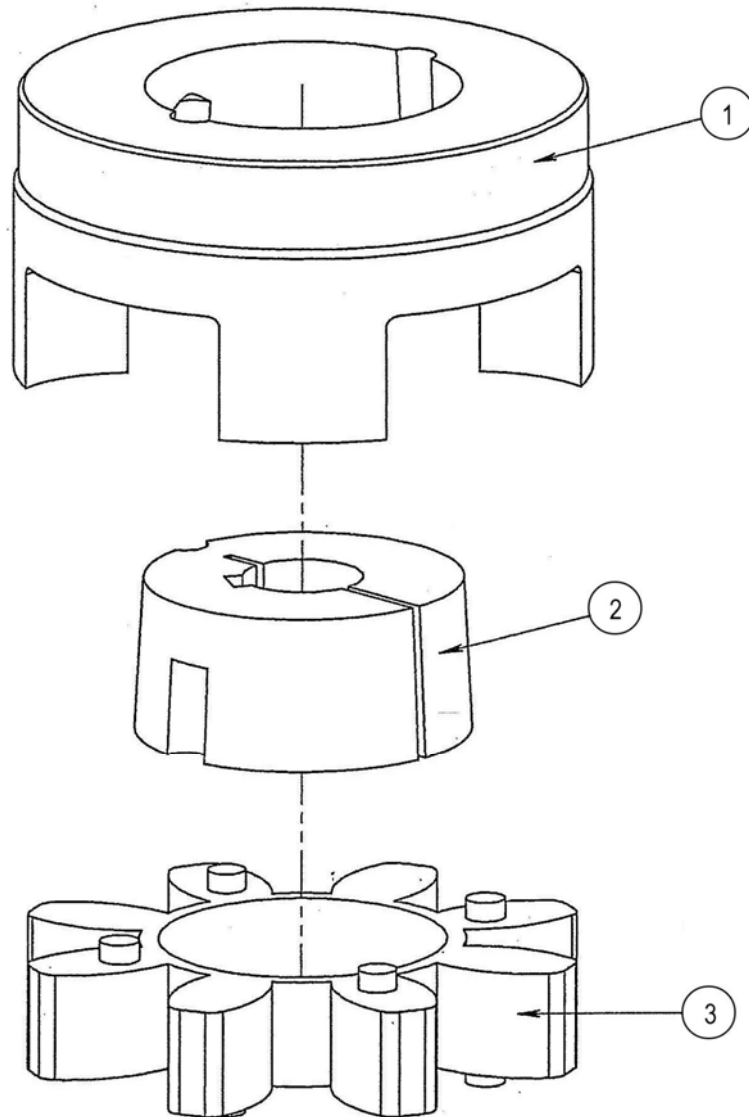


| REF. | QTY. | PART No. | DESCRIPTION |
|------|------|----------------|------------------------------|
| | | | MOTOR ASSEMBLY - 45cc |
| 1 | 1 | 1069129 | MOTOR SPACER |
| 2 | 4 | 1069130 | ALLEN BOLT |
| 3 | 2 | 1069030 | BOLT |
| 4 | 6 | 1069031 | WASHER |
| 5 | 1 | 1069037 | UNIVERSAL BLOCK |
| 6 | 1 | 1069085 | MOTOR - 45cc |
| | | 1069083 | SEAL KIT |

COUPLING ASSEMBLY

McCONNEL

Module(s): All Builds

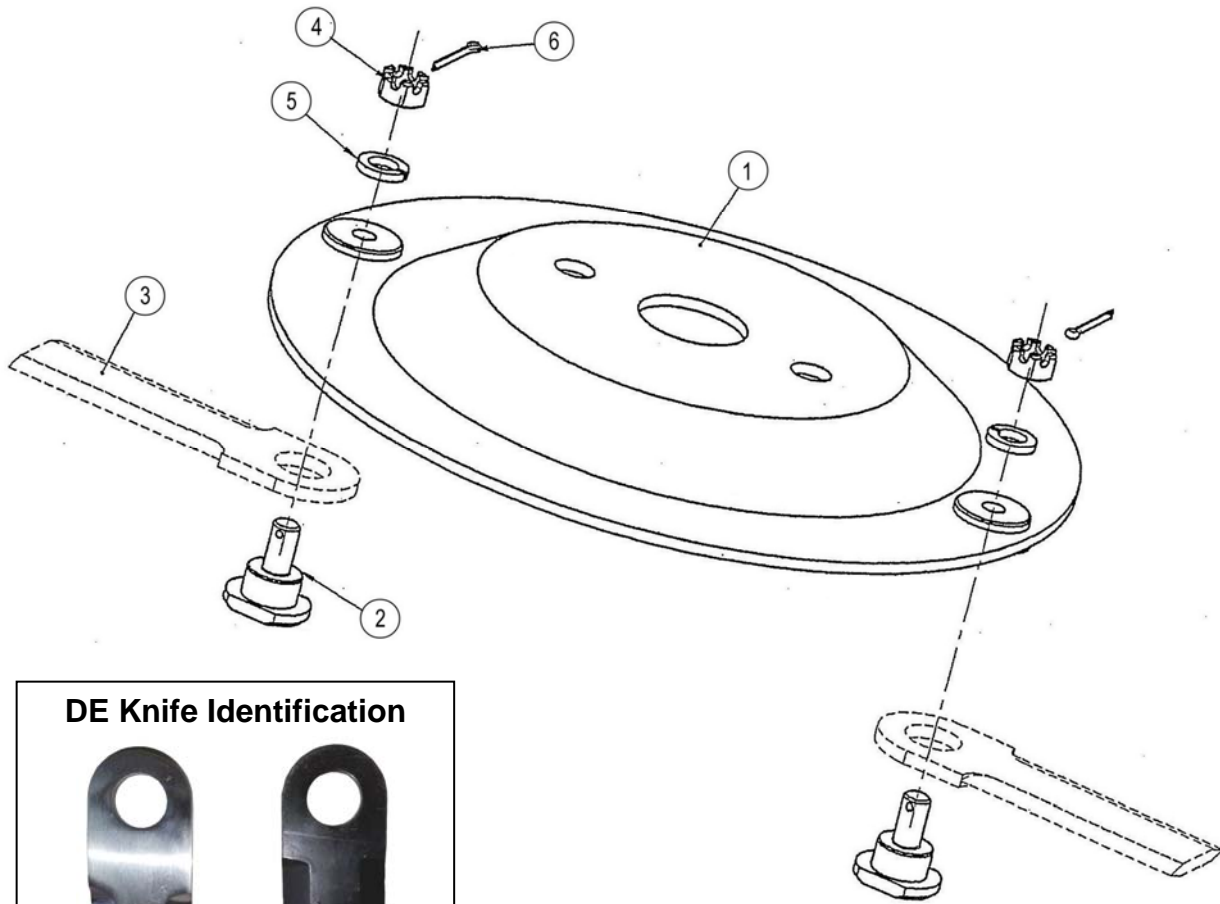


| REF. | QTY. | PART No. | DESCRIPTION |
|------|------|----------|------------------------------------|
| 1 | 1 | 1069076 | COUPLING ASSEMBLY CAST COUPLING |
| 2 | 1 | 1069077 | HUB |
| 3 | 1 | 1069078 | SHOCK ABSORBER |

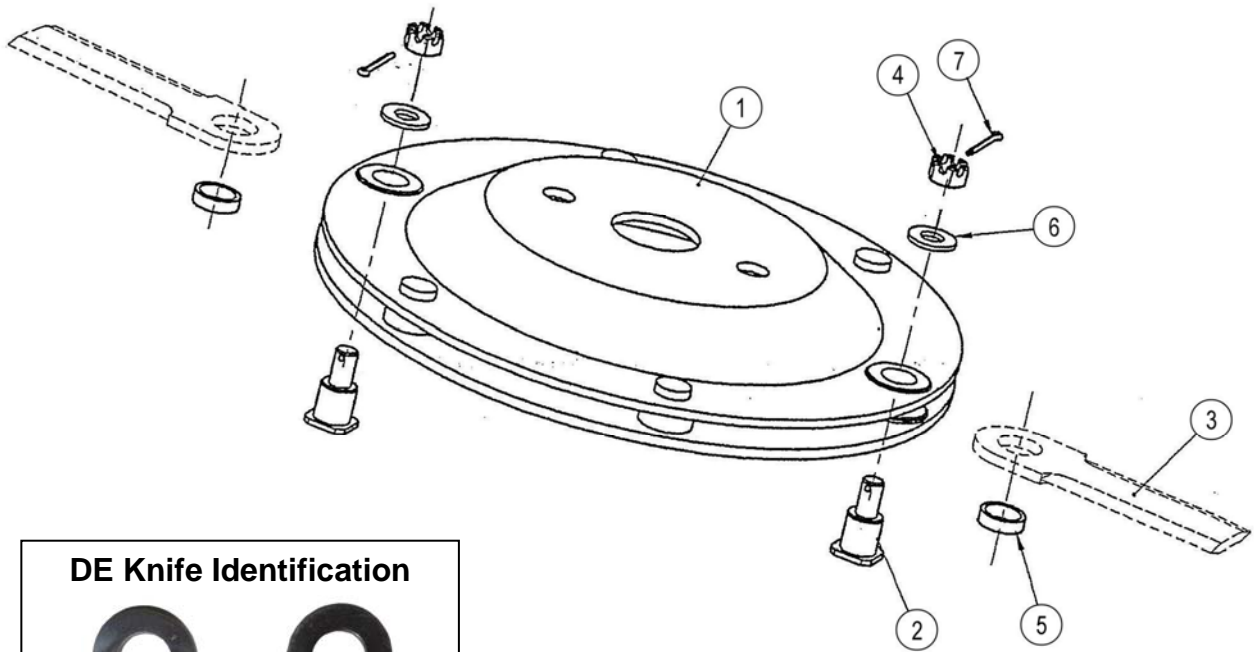
SINGLE DISH ASSEMBLY



Module(s): 1069841 (DE Knives), 1069842 (SE Knives)



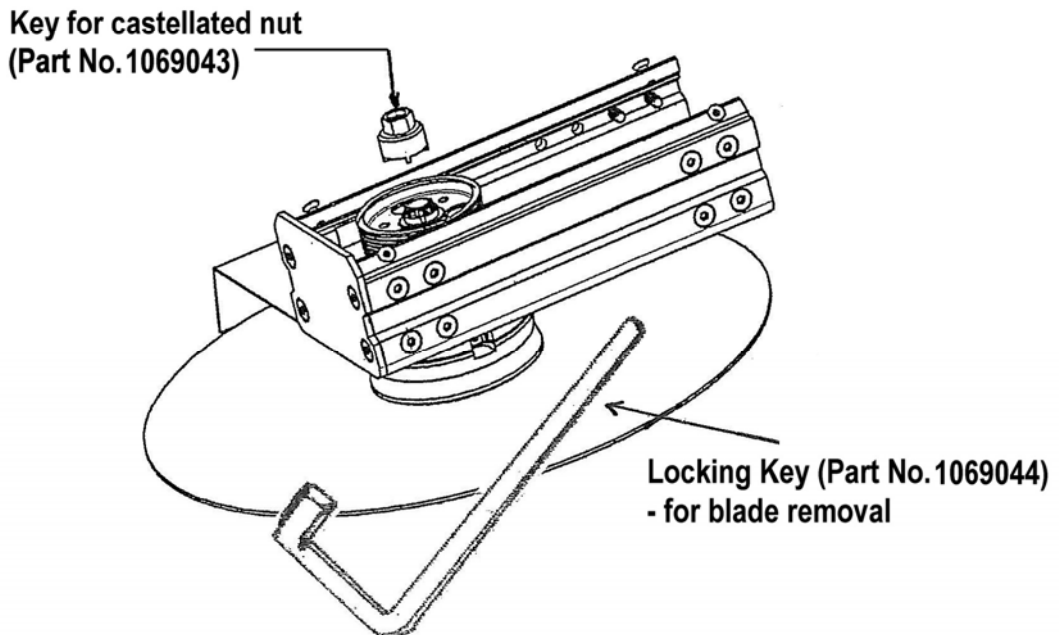
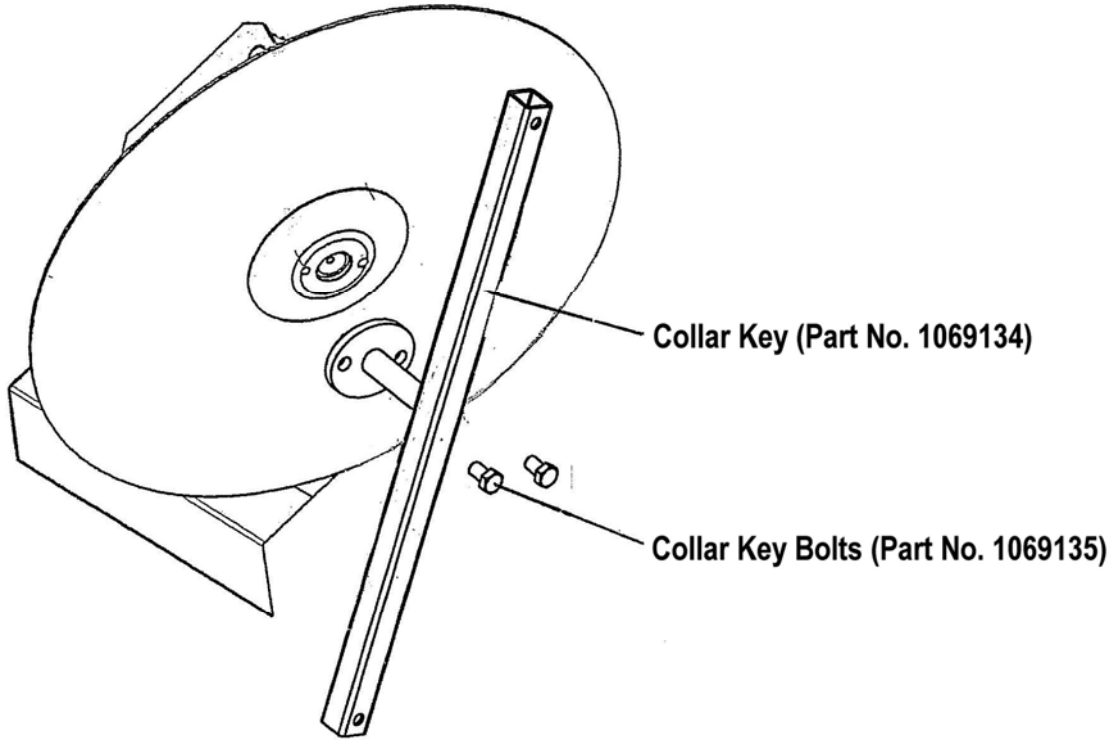
| REF. | QTY. | PART No. | DESCRIPTION |
|------|------|----------------|---|
| | | 1069841 | SINGLE DISH ASSEMBLY - DE Knives |
| | | 1069842 | SINGLE DISH ASSEMBLY - SE Knives |
| 1 | 1 | 1069132 | SINGLE PRESSED DISH |
| 2 | 2 | 1069133 | BLADE CARRIER PIN |
| 3 | 2 | 1069041 | DOUBLE EDGED KNIFE (Curved Tip) |
| | 2 | 1069051 | DOUBLE EDGED KNIFE (Square Tip) |
| | 2 | 1069065 | SINGLE EDGED KNIFE |
| 4 | 2 | 1069058 | CASTELLATED NUT |
| 5 | 2 | 1069062 | WASHER |
| 6 | 2 | 1069063 | SPLIT PIN |



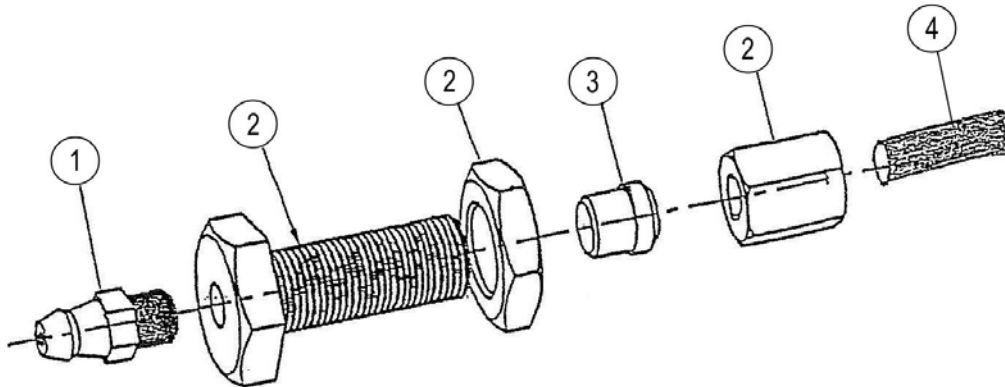
| REF. | QTY. | PART No. | DESCRIPTION |
|------|------|----------------|---|
| | | 1069840 | DOUBLE DISH ASSEMBLY - DE Knives |
| 1 | 1 | 1069064 | DOUBLE DISH |
| 2 | 2 | 1069060 | BLADE CARRIER PIN |
| 3 | 2 | 1069041 | DOUBLE EDGED KNIFE (Curved Tip) |
| | 2 | 1069051 | DOUBLE EDGED KNIFE (Square Tip) |
| 4 | 2 | 1069058 | CASTELLATED NUT |
| 5 | 2 | 1069056 | SPACER |
| 6 | 2 | 1069057 | WASHER |
| 7 | 2 | 1069063 | SPLIT PIN |

Module(s): Sawblades 1669812, 1069822, 1069832

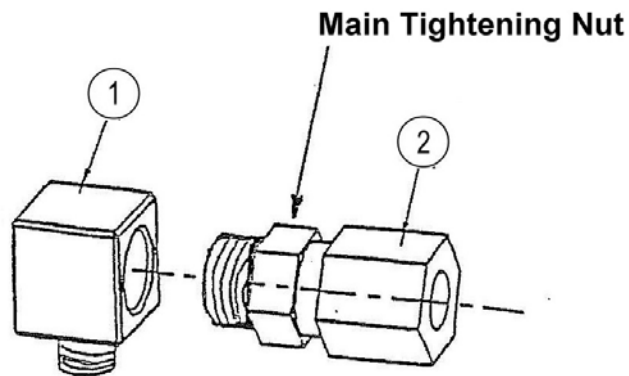
| PART No. | DESCRIPTION |
|-----------------|------------------------------|
| 1069812 | SAW BLADE - 600mm (96 Tooth) |
| 1069822 | SAW BLADE - 650mm (96 Tooth) |
| 1069832 | SAW BLADE - 700mm (96 Tooth) |



Module(s): All Builds



| REF. | QTY. | PART No. | DESCRIPTION |
|------|------|----------|----------------------------------|
| | | | BULKHEAD GREASER ASSEMBLY |
| 1 | 1 | 1069066 | GREASE NIPPLE |
| 2 | 1 | 1069067 | HOLLOW CONNECTOR |
| 3 | 1 | 1069068 | OLIVE |
| 4 | 1 | 1069128 | TUBE |



| REF. | QTY. | PART No. | DESCRIPTION |
|------|------|----------|----------------------------|
| | | | CONNECTING ASSEMBLY |
| 1 | 1 | 1069028 | GREASE NIPPLE |
| 2 | 1 | | END OF FLEXIBLE PIPE |



McConnel Limited, Temeside Works, Ludlow, Shropshire SY8 1JL. England.
Telephone: 01584 873131. Facsimile: 01584 876463. www.mcconnel.com