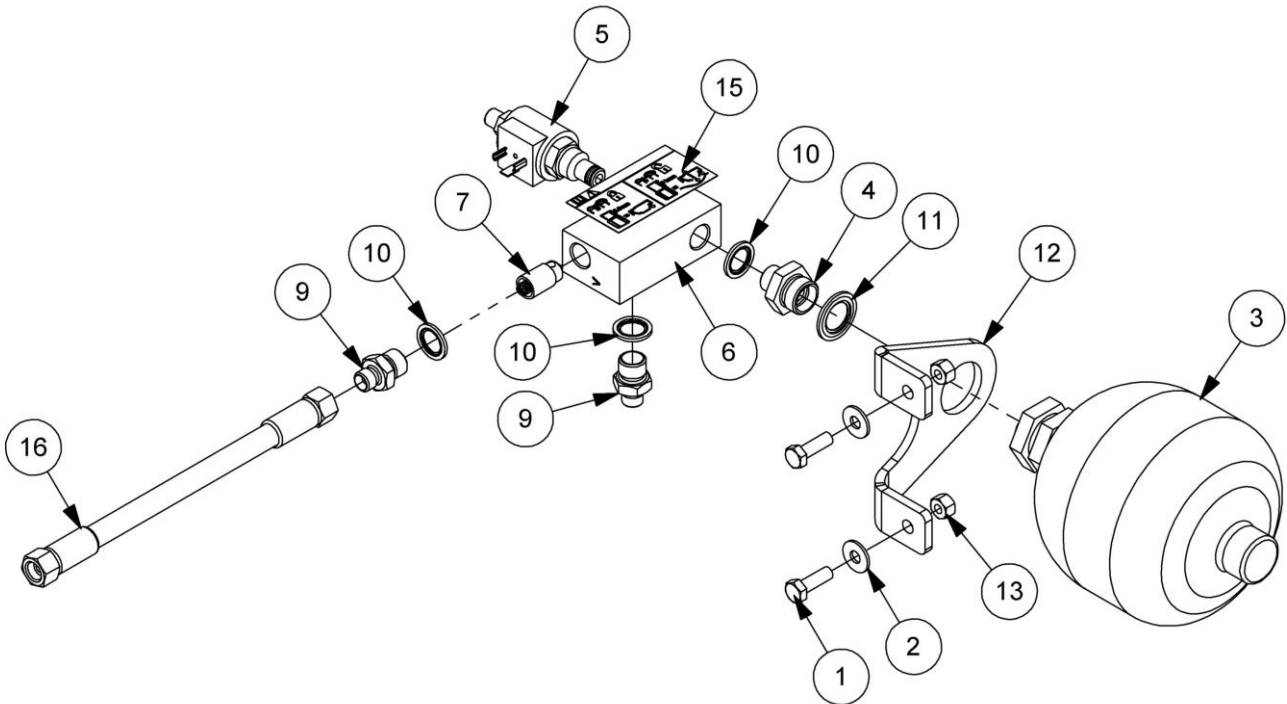


FLOAT KITS ►	LIFT FLOAT KITS											ANGLE FLOAT KITS		
MACHINE ▼	7434571	8126346	8126326	8126327	8126355	8126356	8126335	8126336	8126337	8126351	8126338	8126352	8126261	8126361
PA3430	•											•		
PA3430 VERSI	•											•		
PA3530		•											•	
PA4330	•											•		
PA4745			•	•								•		
PA5155			•	•										
PA5055 ECO			•	•										
PA5555 ECO			•	•										
PA6055 ECO					•	•								
PA5155			•	•								•		
PA5455			•	•								•		
PA5360							•	•	•					
PA5860							•	•						
PA5565							•							•
PA6065							•							•
PA6565T							•							•
PA7065T							•							•
PA5570							•	•						
PA6070							•	•						
PA6570T							•	•						
PA7070T							•	•						
PA6085										•				
PA6085T										•				
PA7085T										•				
PA7285 VFRT										•				
PA8085T										•				
PA8085 VFRT										•				
PA8085TT											•			
PA5600											•			
PA6400											•			
PA6500T											•			
PA7700T											•			
PA8000T											•			

LIFT FLOAT KIT

Module(s): 7434571

McCONNEL

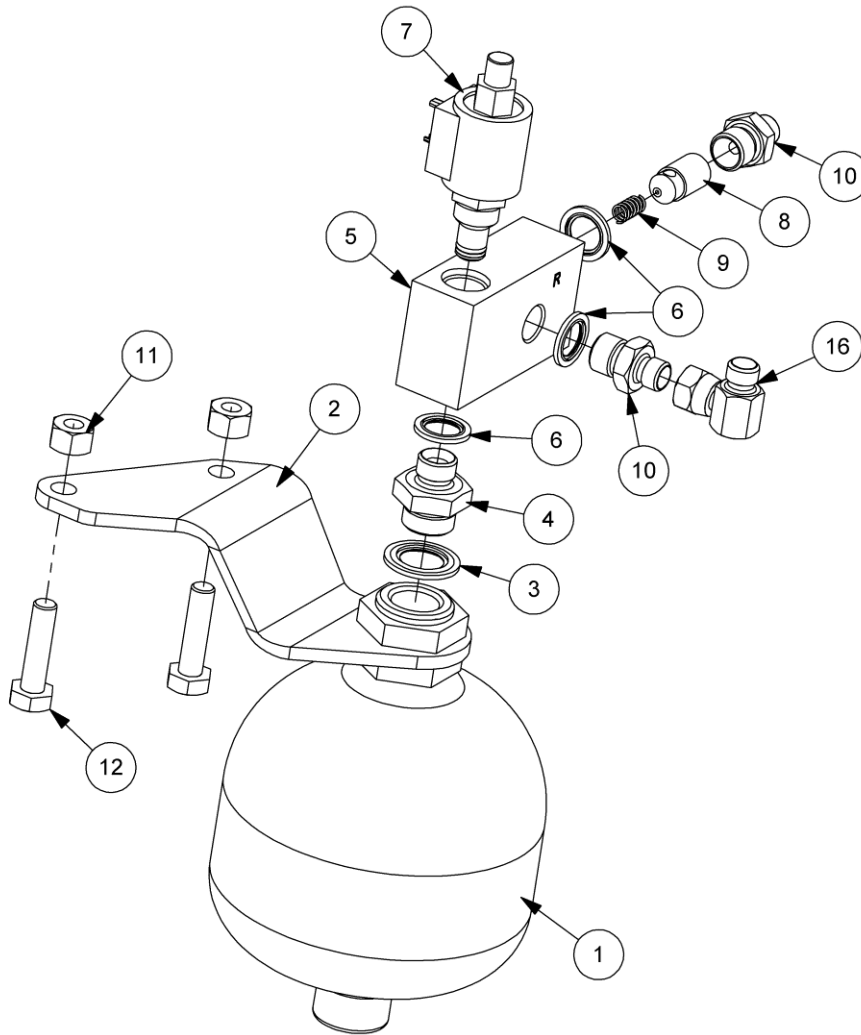


REF.	QTY.	PART No.	DESCRIPTION
		7434571	LIFT FLOAT KIT
1	2	9313054	SETSCREW
2	2	9100104	FLAT WASHER
3	1	8126042	ACCUMULATOR
4	1	G241038	ADAPTOR
5	1	8130183	POPPET VALVE
6	1	8126287	VALVE BLOCK
7	1	8126037	RESPONSE PISTON
8	1	8116011	SPRING
9	2	8581115	ADAPTOR
10	3	8650103	BONDED SEAL
11	1	8650322	BONDED SEAL
12	1	22852.52	MOUNTING BRACKET
13	2	9163004	NYLOC NUT
14	1	8402159	HARNESS
15	1	1290061	OPERATION DECAL
16	1	10.001.10	HOSE - 1/4" BSP FS/FS x 500mm

LIFT FLOAT KIT

Module(s): 8126346

McCONNEL



REF.	QTY.	PART No.	DESCRIPTION
		8126346	LIFT FLOAT KIT
1	1	8126042	ACCUMULATOR
2	1	21924.01	ACCUMULATOR BRACKET
3	1	8650322	BONDED SEAL
4	1	G2410380	ADAPTOR
5	1	8126287	LIFT FLOAT VALVE BLOCK
6	3	8650103	BONDED SEAL
7	1	8130183	VALVE POPPET
8	1	8126037	RESPONSE PISTON
9	1	8116011	SPRING
10	2	8581115	ADAPTOR
11	2	9143005	SELF-LOCKING NUT
12	2	9213085	BOLT
13	1	8402159	* HARNESS
14	1	1290061	* OPERATION DECAL
15	1	10.002.11	* HOSE - 1/4" BSP FS/F90 x 550mm
16	1	8581190	ADAPTOR ELBOW - 90°

* *not illustrated*

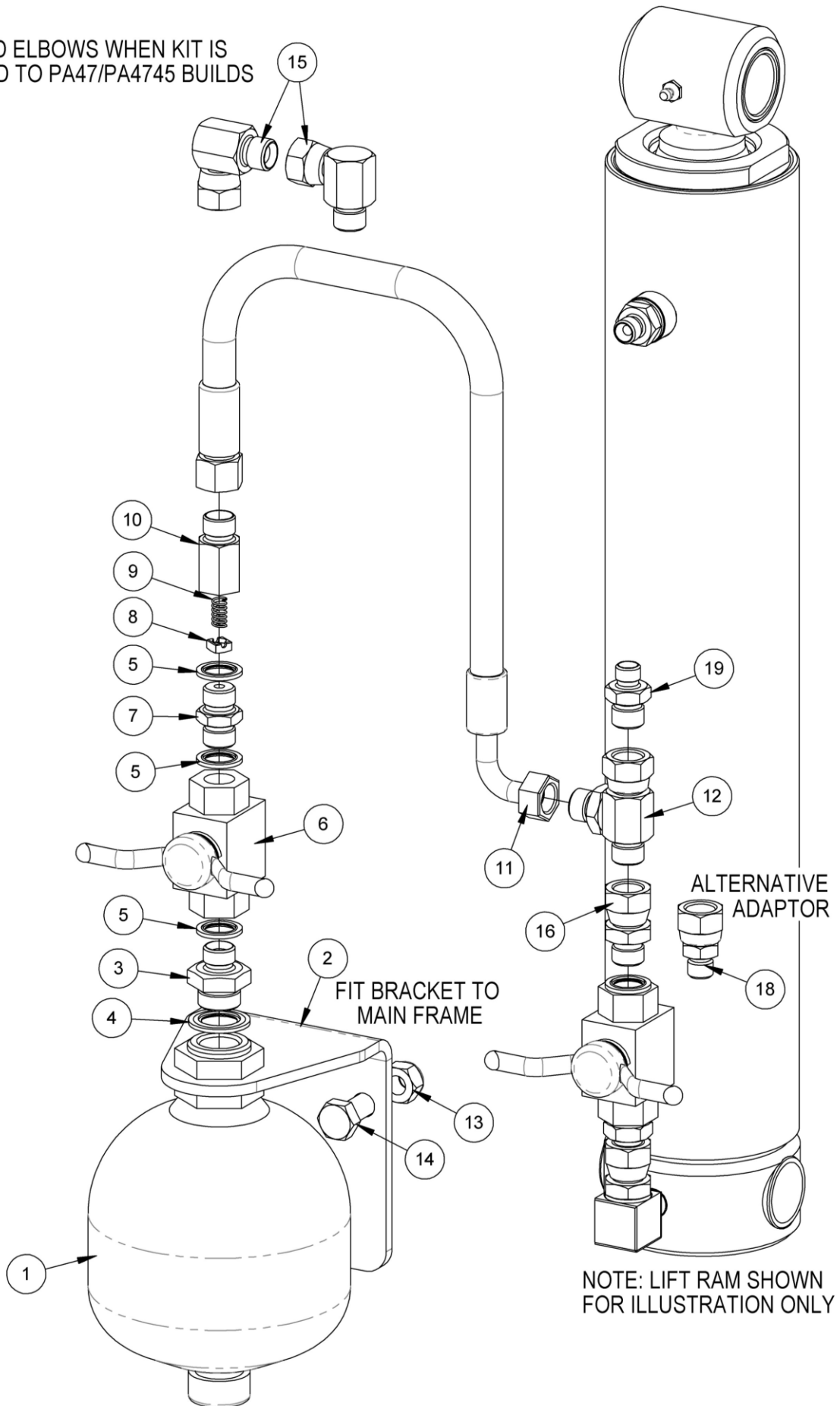


LIFT FLOAT KIT

Module(s): 8126326

McCONEL

ADD ELBOWS WHEN KIT IS FITTED TO PA47/PA4745 BUILDS



LIFT FLOAT KIT**McCONNEL**

Module(s): 8126326

REF.	QTY.	PART No.	DESCRIPTION
		8126326	LIFT FLOAT KIT
1	1	8126044	ACCUMULATOR
2	1	8126318	BRACKET
3	1	G2410380	ADAPTOR
4	1	8650322	BONDED SEAL
5	3	8650103	BONDED SEAL
6	1	08.200.01	ISOLATING VALVE
7	1	8581209	ADAPTOR
8	1	8123041	RESTRICTOR DISC - 1.15 RED
9	1	8116011	SPRING
10	1	8581346	ADAPTOR RESTRICTOR BODY
11	1	10.004.20	HOSE - 3/8" BSP FS/F90 x 1000mm
12	1	11.068.69	ADAPTOR TEE
13	2	9163006	NYLOC NUT
14	2	9313066	SETSCREW
15	2	8581117	ADAPTOR ELBOW
16	1	8581178	SWIVEL ADAPTOR
17	1	8126326FS	FITTING SHEET
18	1	02.714.10	SWIVEL ADAPTOR
19	1	8581115	ADAPTOR

LIFT FLOAT KIT

McCONNEL

Module(s): 8126327

SWITCH BOX, MONO LEVER AND XTC BUILDS

CONNECT ONE FLOAT LOOM TERMINAL TO MAIN VALVE LOOM TERMINAL MARKED "15" - COLOUR RED/WHITE.

CONNECT SECOND FLOAT LOOM TERMINAL TO MAIN VALVE LOOM TERMINAL MARKED "19" - COLOUR YELLOW/RED

V5 PROP BUILDS

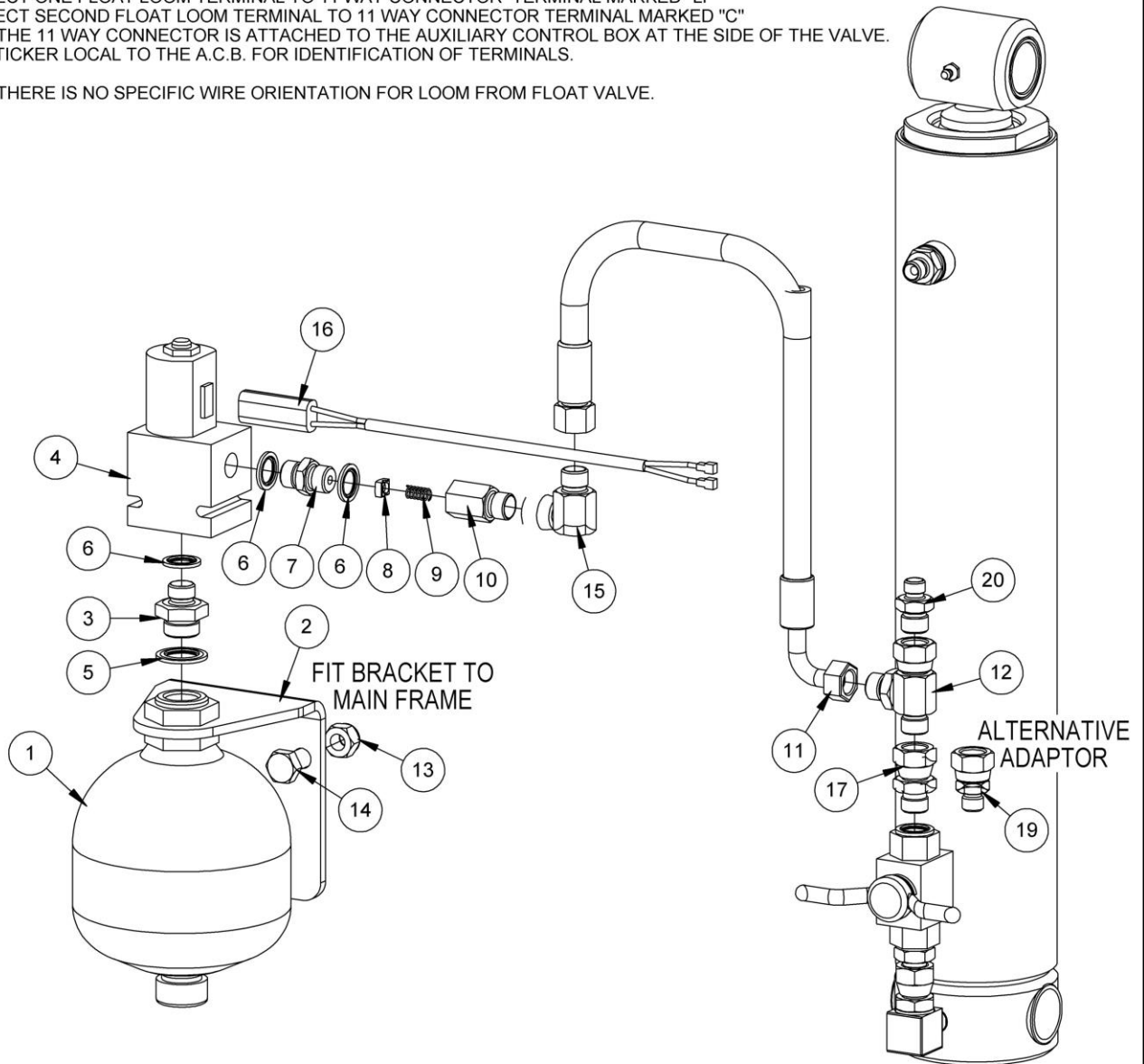
CONNECT ONE FLOAT LOOM TERMINAL TO 11 WAY CONNECTOR TERMINAL MARKED "LF"

CONNECT SECOND FLOAT LOOM TERMINAL TO 11 WAY CONNECTOR TERMINAL MARKED "C"

NOTE THE 11 WAY CONNECTOR IS ATTACHED TO THE AUXILIARY CONTROL BOX AT THE SIDE OF THE VALVE.

SEE STICKER LOCAL TO THE A.C.B. FOR IDENTIFICATION OF TERMINALS.

NOTE THERE IS NO SPECIFIC WIRE ORIENTATION FOR LOOM FROM FLOAT VALVE.



NOTE: LIFT RAM SHOWN FOR ILLUSTRATION ONLY



45 SERIES



55 SERIES &
55 ECO SERIES

LIFT FLOAT KIT**McCONNEL**

Module(s): 8126327

REF.	QTY.	PART No.	DESCRIPTION
		8126327	LIFT FLOAT KIT
1	1	8126044	ACCUMULATOR
2	1	8126318	BRACKET
3	1	G2410380	ADAPTOR
4	1	08.619.09	VALVE - MODULAR
5	1	8650322	BONDED SEAL
6	3	8650103	BONDED SEAL
7	1	8581209	ADAPTOR
8	1	8123041	RESTRICTOR DISC - 1.15 RED
9	1	8116011	SPRING
10	1	8581346	ADAPTOR RESTRICTOR BODY
11	1	10.004.18	HOSE - 3/8" BSP FS/F90 x 900mm
12	1	11.068.69	ADAPTOR TEE
13	2	9163006	NYLOC NUT
14	2	9313066	SETSCREW
15	1	8581117	ADAPTOR ELBOW
16	1	8402207	LOOM - LIFT FLOAT
17	1	8581178	SWIVEL ADAPTOR
18	1	8126327FS	FITTING SHEET
19	1	02.714.10	SWIVEL ADAPTOR
20	1	8581115	ADAPTOR

LIFT FLOAT KIT

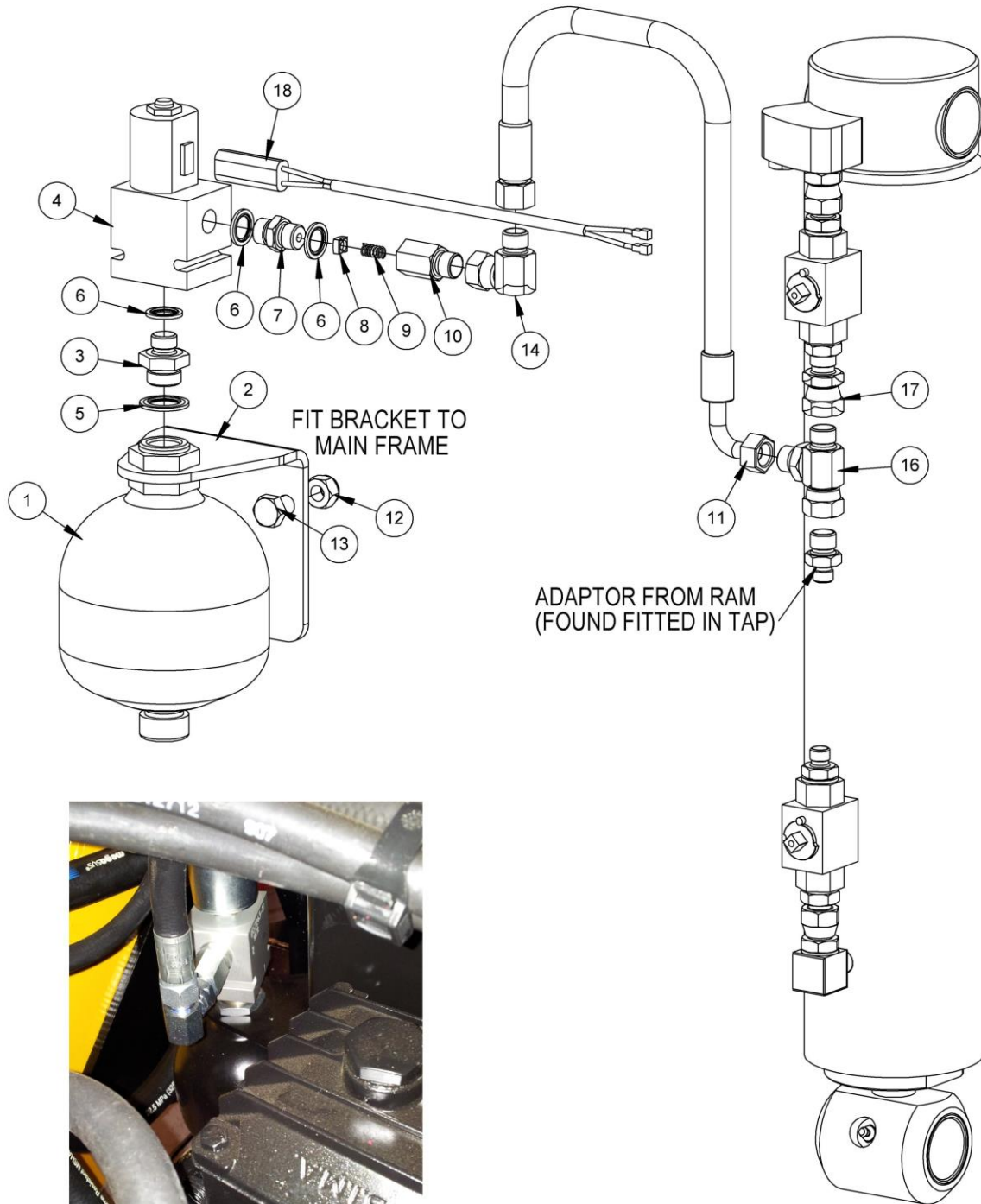
McCONNEL

Module(s): 8126355

SWITCH BOX, MONO LEVER AND XTC BUILDS
CONNECT ONE FLOAT LOOM TERMINAL TO MAIN VALVE LOOM TERMINAL MARKED "15" - COLOUR RED/WHITE.
CONNECT SECOND FLOAT LOOM TERMINAL TO MAIN VALVE LOOM TERMINAL MARKED "19" - COLOUR YELLOW/RED.

V5 PROP BUILDS
CONNECT ONE FLOAT LOOM TERMINAL TO 11 WAY CONNECTOR TERMINAL MARKED "LF"
CONNECT SECOND FLOAT LOOM TERMINAL TO 11 WAY CONNECTOR TERMINAL MARKED "C"
NOTE THE 11 WAY CONNECTOR IS ATTACHED TO THE AUXILIARY CONTROL BOX AT THE SIDE OF THE VALVE.
SEE STICKER LOCAL TO THE A.C.B. FOR IDENTIFICATION OF TERMINALS.

NOTE THERE IS NO SPECIFIC WIRE ORIENTATION FOR LOOM FROM FLOAT VALVE.



NOTE: LIFT RAM SHOWN FOR ILLUSTRATION ONLY.

LIFT FLOAT KIT**McCONNEL**

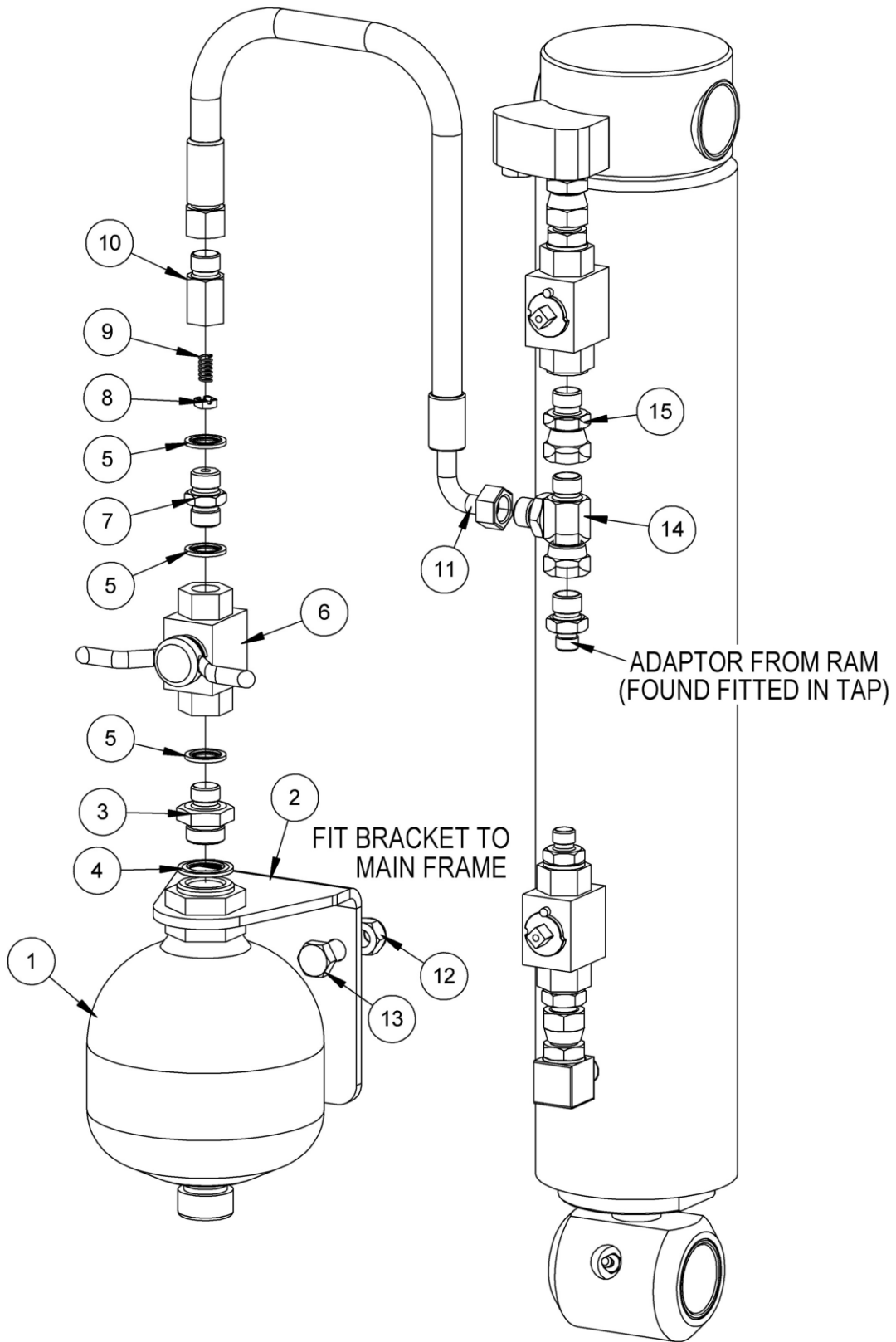
Module(s): 8126355

REF.	QTY.	PART No.	DESCRIPTION
		8126355	LIFT FLOAT KIT
1	1	8126044	ACCUMULATOR
2	1	8126318	MOUNTING BRACKET
3	1	G2410380	ADAPTOR
4	1	08.619.09	VALVE - MODULAR
5	1	8650322	BONDED SEAL
6	3	8650103	BONDED SEAL
7	1	8581209	ADAPTOR
8	1	8123041	RESTRICTOR DISC - 1.15 RED
9	1	8116011	SPRING
10	1	8581346	ADAPTOR RESTRICTOR BODY
11	1	10.004.34	HOSE - 3/8" BSP FS/F90 x 2400mm
12	2	9163006	NYLOC NUT
13	2	9313066	SETSCREW
14	1	8581117	ADAPTOR ELBOW
15	1	8126355FS	FITTING SHEET
16	1	11.068.69	ADAPTOR TEE
17	1	8581178	SWIVEL ADAPTOR
18	1	8402207	LOOM - LIFT FLOAT

LIFT FLOAT KIT

Module(s): 8126356

McCONNEL



FIT BRACKET TO
MAIN FRAME

ADAPTOR FROM RAM
(FOUND FITTED IN TAP)

NOTE: LIFT RAM SHOWN
FOR ILLUSTRATION ONLY

LIFT FLOAT KIT**McCONNEL**

Module(s): 8126356

REF.	QTY.	PART No.	DESCRIPTION
		8126356	LIFT FLOAT KIT
1	1	8126044	ACCUMULATOR
2	1	8126318	BRACKET
3	1	G2410380	ADAPTOR
4	1	8650322	BONDED SEAL
5	3	8650103	BONDED SEAL
6	1	08.200.01	ISOLATING VALVE
7	1	8581209	ADAPTOR
8	1	8123041	RESTRICTOR DISC - 1.15 RED
9	1	8116011	SPRING
10	1	8581346	ADAPTOR RESTRICTOR BODY
11	1	10.004.34	HOSE - 3/8" BSP FS/F90 x 2400mm
12	2	9163006	NYLOC NUT
13	2	9313066	SETSCREW
14	1	11.068.69	ADAPTOR TEE
15	1	8581178	SWIVEL ADAPTOR
16	1	8126356FS	FITTING SHEET



LIFT FLOAT KIT

McCONNEL

Module(s): 8126335

SWITCH BOX, MONO LEVER AND XTC BUILDS

CONNECT ONE FLOAT LOOM TERMINAL TO MAIN VALVE LOOM TERMINAL MARKED "15" - COLOUR RED/WHITE.

CONNECT SECOND FLOAT LOOM TERMINAL TO MAIN VALVE LOOM TERMINAL MARKED "19" - COLOUR YELLOW/RED.

V5 PROP BUILDS

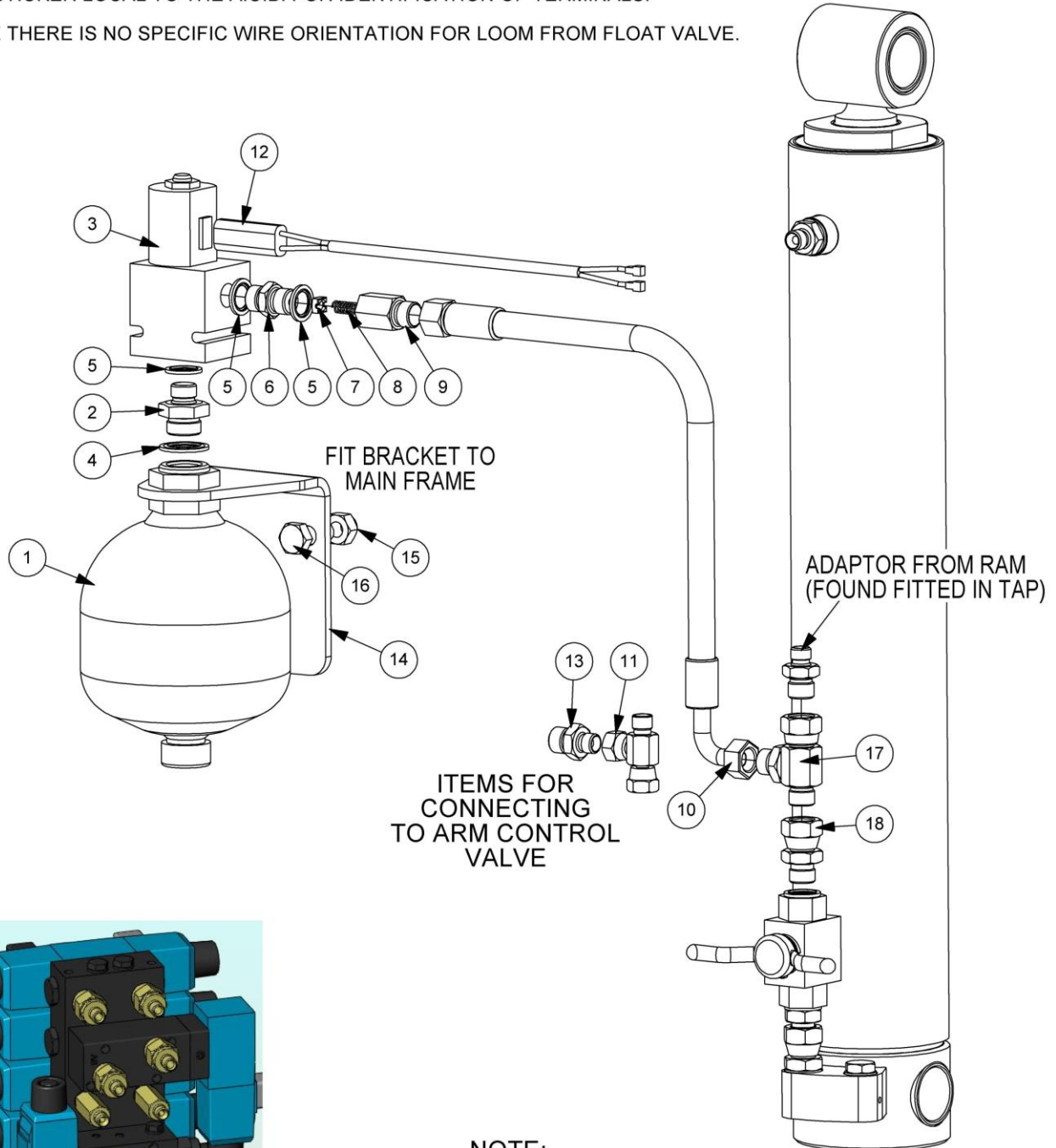
CONNECT ONE FLOAT LOOM TERMINAL TO 11 WAY CONNECTOR TERMINAL MARKED "LF"

CONNECT SECOND FLOAT LOOM TERMINAL TO 11 WAY CONNECTOR TERMINAL MARKED "C"

NOTE THE 11 WAY CONNECTOR IS ATTACHED TO THE AUXILIARY CONTROL BOX AT THE SIDE OF THE VALVE.

SEE STICKER LOCAL TO THE A.C.B. FOR IDENTIFICATION OF TERMINALS.

NOTE THERE IS NO SPECIFIC WIRE ORIENTATION FOR LOOM FROM FLOAT VALVE.



NOTE:
CONNECT TO RAM AS SHOWN
FOR PA53,PA58,PA5360,PA5860

NOTE: LIFT RAM SHOWN
FOR ILLUSTRATION ONLY

FOR PA55,PA60,PA65T,PA70T,
PA5570,PA6070,PA6570T,PA7070T
DISCONNECT LIFT BASE HOSE FROM PORT
ON ARM CONTROL VALVE. FIT 8581288 TEE.
RECONNECT LIFT BASE HOSE. FIT 8581115
ADAPTER TO BRANCH OF TEE AND
CONNECT HOSE FROM LIFT FLOAT BOTTLE.

LIFT
FLOAT
HOSE

LIFT
BASE
HOSE

LIFT FLOAT KIT**McCONNEL**

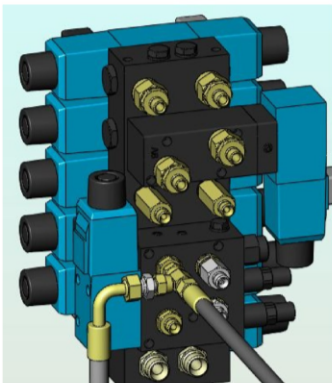
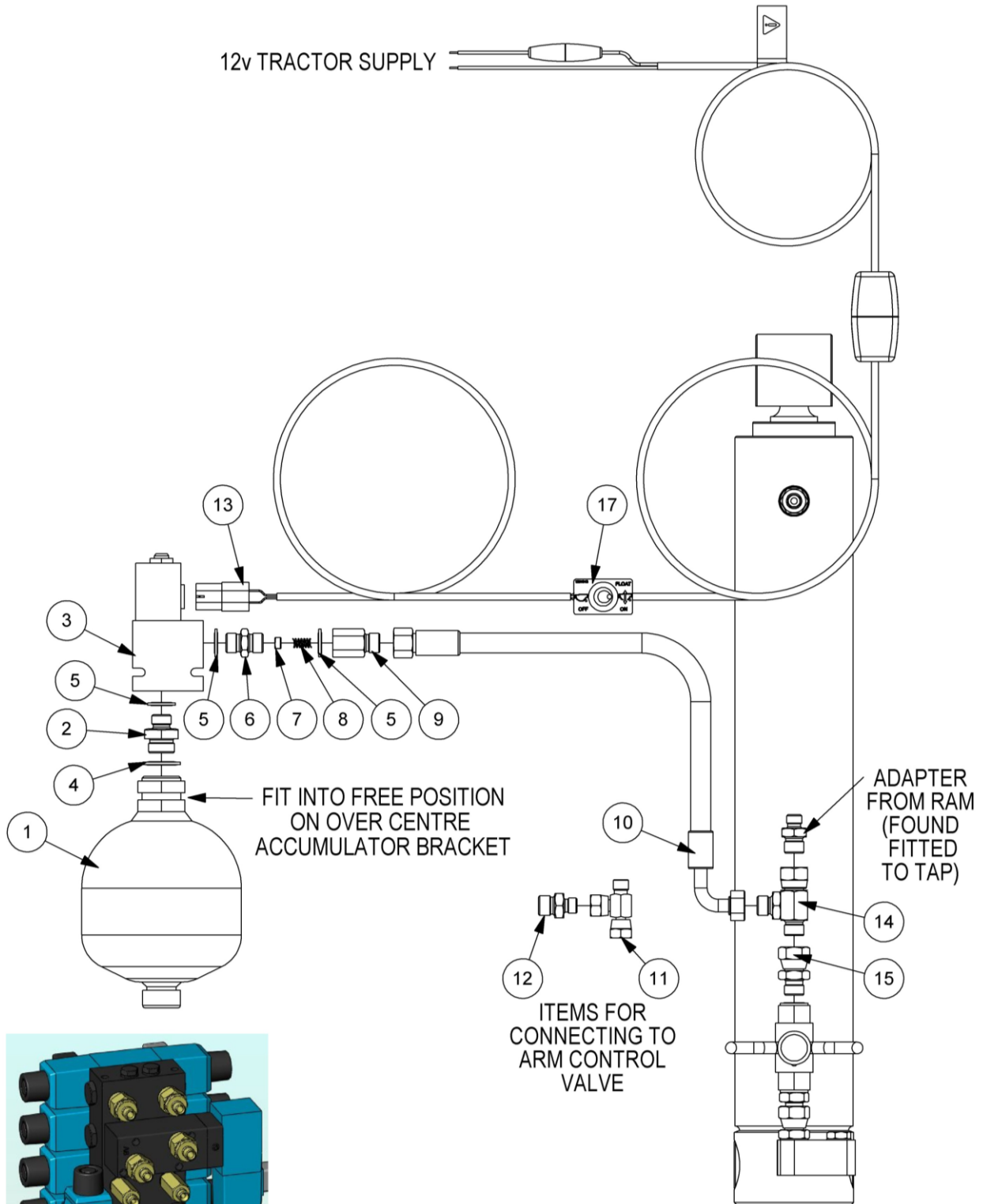
Module(s): 8126335

REF.	QTY.	PART No.	DESCRIPTION
		8126335	LIFT FLOAT KIT
1	1	8126044	ACCUMULATOR
2	1	G2410380	ADAPTOR
3	1	08.619.09	VALVE - MODULAR
4	1	8650322	BONDED SEAL
5	3	8650103	BONDED SEAL
6	1	8581209	ADAPTOR
7	1	8123041	RESTRICTOR DISC - 1.15 RED
8	1	8116011	SPRING
9	1	8581346	ADAPTOR RESTRICTOR BODY
10	1	10.004.20	HOSE - 3/8" BSP FS/F90 x 1000mm
11	1	8581288	ADAPTOR TEE
12	1	8402207	LOOM - LIFT FLOAT
13	1	8581115	ADAPTOR
14	1	8126318	MOUNTING BRACKET
15	2	9163006	NYLOC NUT
16	2	9313066	SETSCREW
17	1	11.068.69	ADAPTOR TEE
18	1	8581178	SWIVEL ADAPTOR
19	1	8126335FS	FITTING SHEET

LIFT FLOAT KIT

Module(s): 8126336

McCONNEL



LIFT
FLOAT
HOSE

LIFT
BASE
HOSE

NOTE:
CONNECT TO RAM AS SHOWN FOR PA53,PA58,PA5360,PA5860

NOTE: LIFT RAM SHOWN FOR ILLUSTRATION ONLY

FOR PA55,PA60,PA65T,PA70T,
PA5570,PA6070,PA6570T,PA7070T
DISCONNECT LIFT BASE HOSE FROM PORT ON ARM CONTROL VALVE. FIT 8581288 TEE. RECONNECT LIFT BASE HOSE. FIT 8581115 ADAPTER TO BRANCH OF TEE AND CONNECT HOSE FROM LIFT FLOAT BOTTLE.



LIFT FLOAT KIT**McCONNEL**

Module(s): 8126336

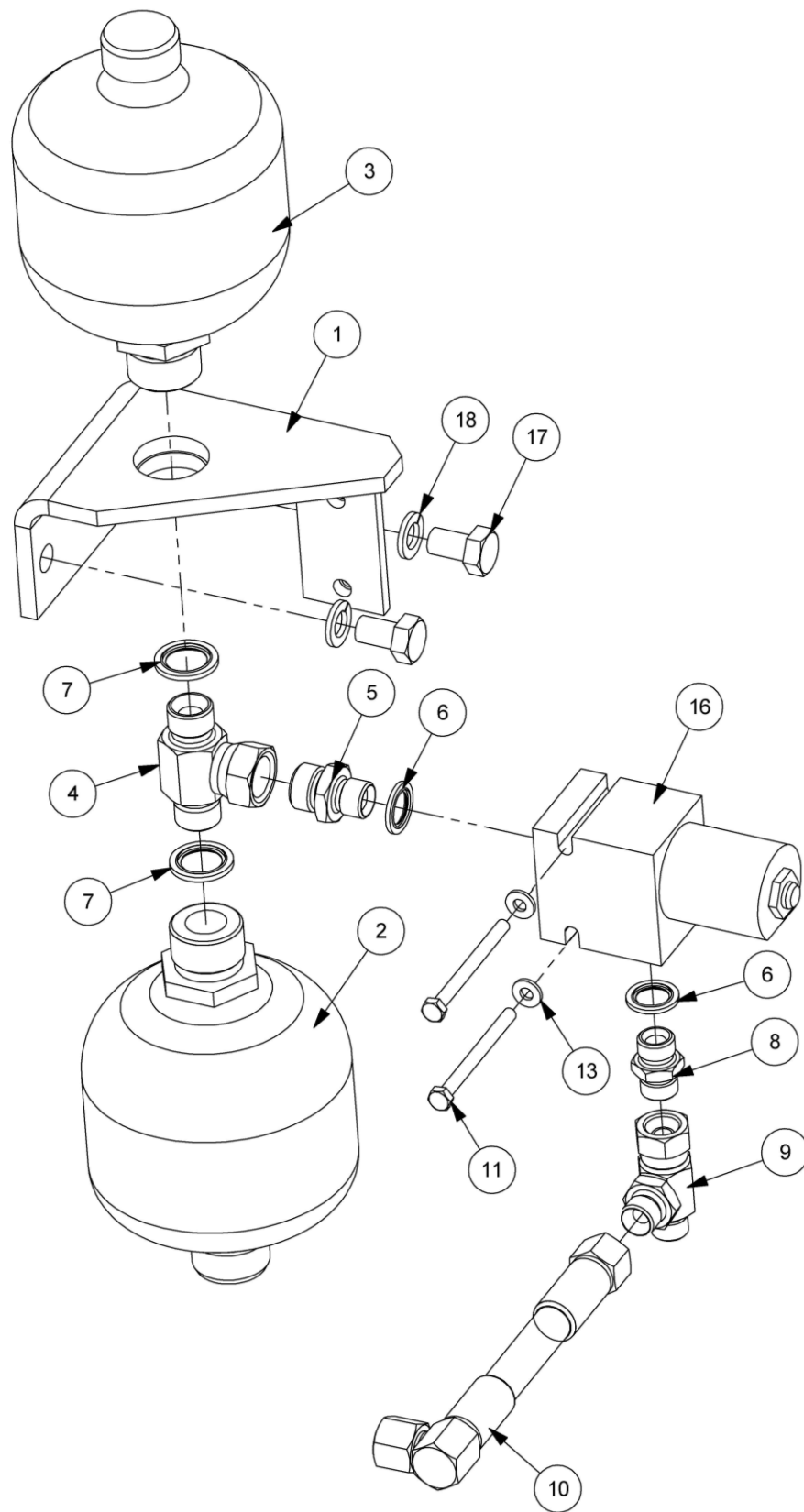
REF.	QTY.	PART No.	DESCRIPTION
		8126336	LIFT FLOAT KIT
1	1	8126044	ACCUMULATOR
2	1	G2410380	ADAPTOR
3	1	08.619.09	VALVE - MODULAR
4	1	8650322	BONDED SEAL
5	3	8650103	BONDED SEAL
6	1	8581209	ADAPTOR
7	1	8123041	RESTRICTOR DISC - 1.15 RED
8	1	8116011	SPRING
9	1	8581346	ADAPTOR RESTRICTOR BODY
10	1	10.004.18	HOSE - 3/8" BSP FS/F90 x 900mm
11	1	8581288	ADAPTOR TEE
12	1	8581115	ADAPTOR
13	1	8402208	SWITCH KIT
14	1	11.068.69	ADAPTOR TEE
15	1	8581178	SWIVEL ADAPTOR
16	1	8126336FS	FITTING SHEET
17	1	1291049	FLOAT DECAL



LIFT FLOAT KIT

Module(s): 8126337

McCONNEL



LIFT FLOAT KIT

McCONNEL

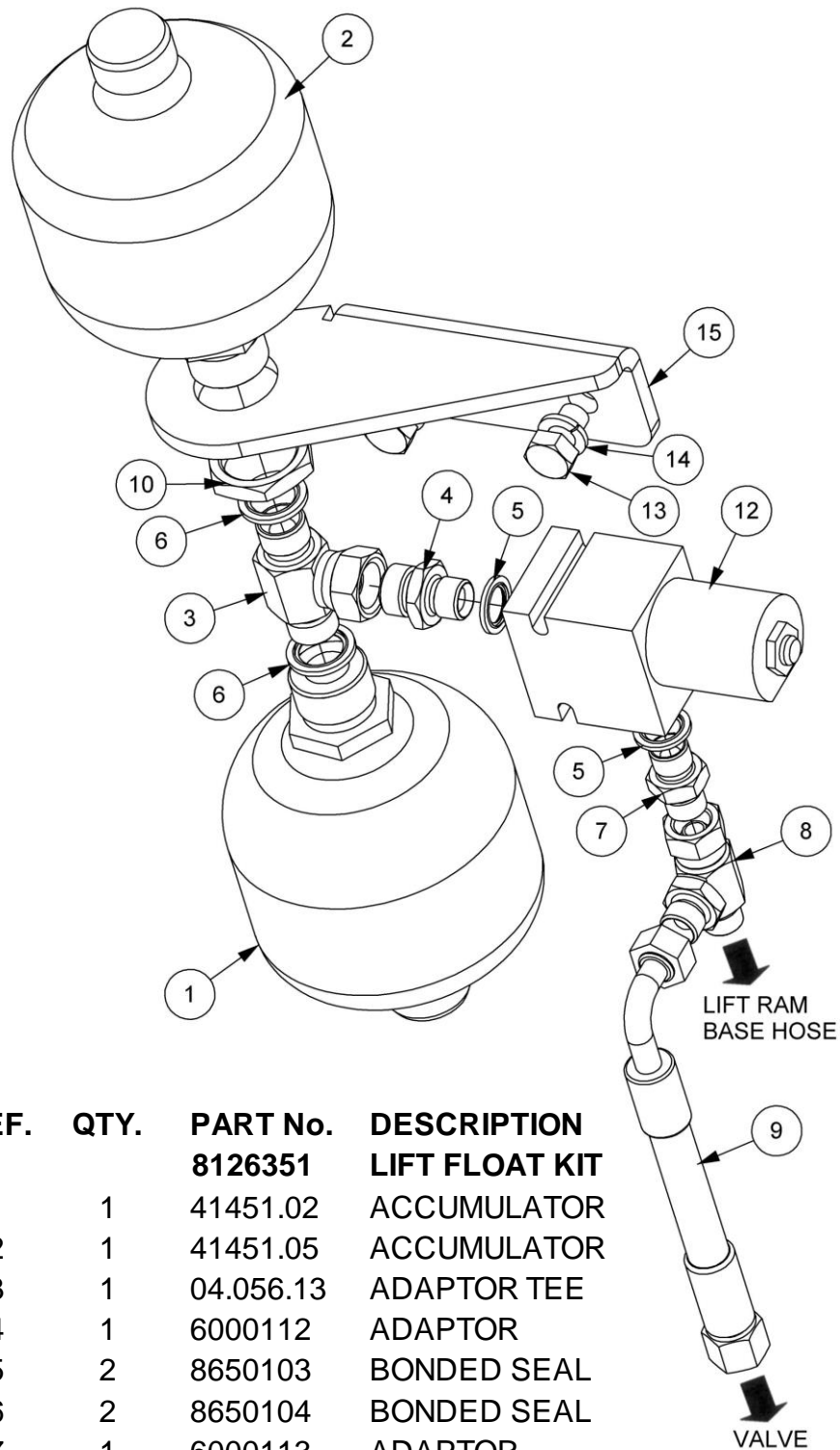
Module(s): 8126337

REF.	QTY.	PART No.	DESCRIPTION
		8126337	LIFT FLOAT KIT
1	1	43488.01	ACCUMULATOR BRACKET
2	1	41451.02	ACCUMULATOR
3	1	41451.05	ACCUMULATOR
4	1	04.056.13	ADAPTOR TEE
5	1	6000112	ADAPTOR
6	2	8650103	BONDED SEAL
7	2	8650104	BONDED SEAL
8	1	6000113	ADAPTOR
9	1	11.068.69	ADAPTOR TEE
10	1	10.004.10	HOSE - 3/8" BSP FS/F90 x 500mm
11	2	9213143	BOLT
12	2	9143003	SELF-LOCKING NUT
13	4	9100103	FLAT WASHER
14	1	8126035	NUT
15	1	43177.28	LOOM - LIFT FLOAT <i>(not illustrated)</i>
16	1	08.619.09	VALVE - MODULAR
17	2	9313046	SETSCREW
18	2	9100206	SPRING WASHER

LIFT FLOAT KIT

Module(s): 8126351

McCONNEL



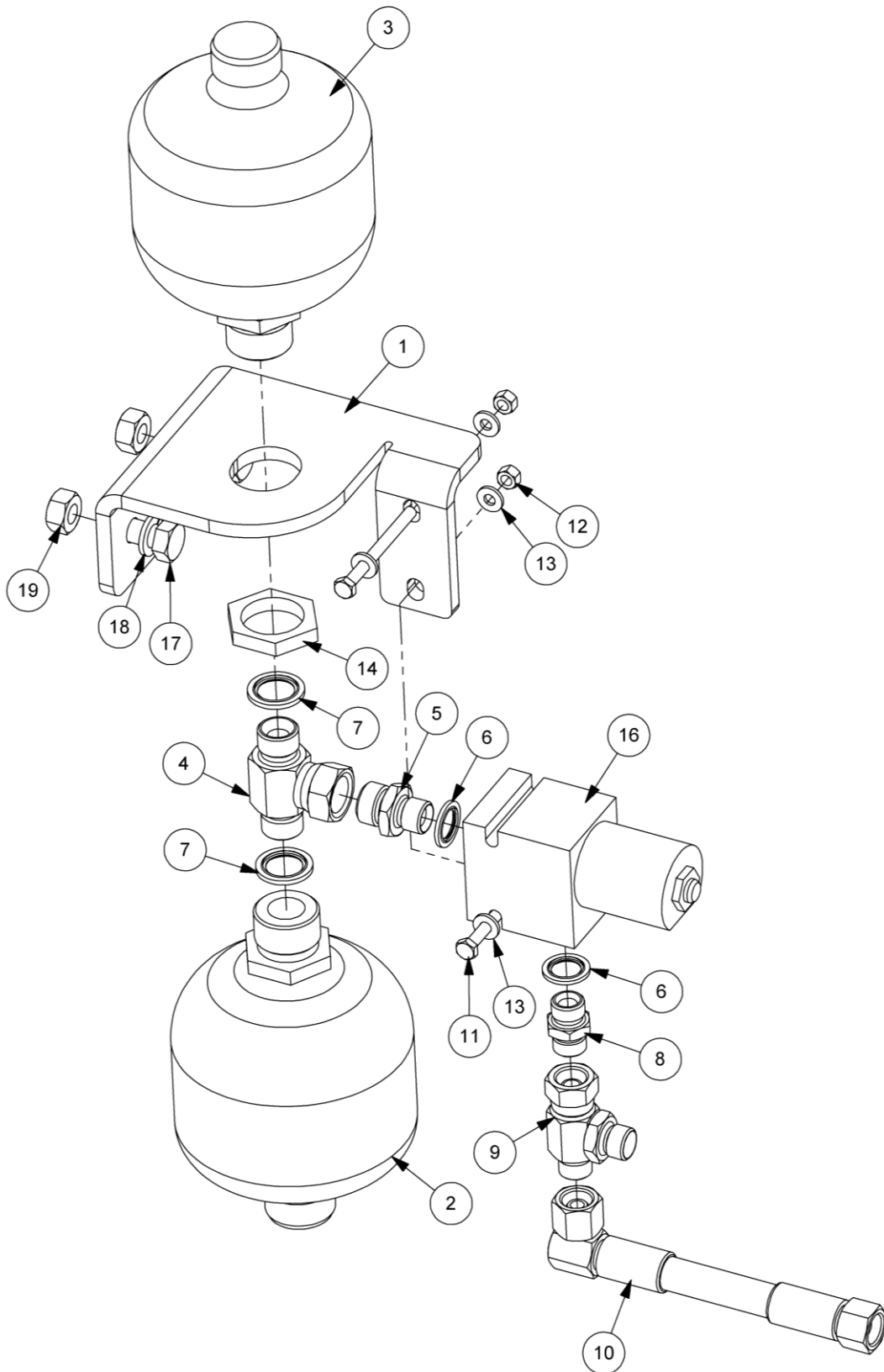
REF.	QTY.	PART No.	DESCRIPTION
		8126351	LIFT FLOAT KIT
1	1	41451.02	ACCUMULATOR
2	1	41451.05	ACCUMULATOR
3	1	04.056.13	ADAPTOR TEE
4	1	6000112	ADAPTOR
5	2	8650103	BONDED SEAL
6	2	8650104	BONDED SEAL
7	1	6000113	ADAPTOR
8	1	11.068.69	ADAPTOR TEE
9	1	10.004.10	HOSE - 3/8" BSP FS/F90 x 500mm
10	1	8126035	BULKHEAD NUT
11	1	43177.28	LOOM - LIFT FLOAT
12	1	08.619.09	VALVE
13	2	9313046	SETSCREW
14	2	9100206	SPRING WASHER
15	1	43448.33	LIFT FLOAT BRACKET



LIFT FLOAT KIT

Module(s): 8126338

McCONNEL



LIFT FLOAT KIT

McCONNEL

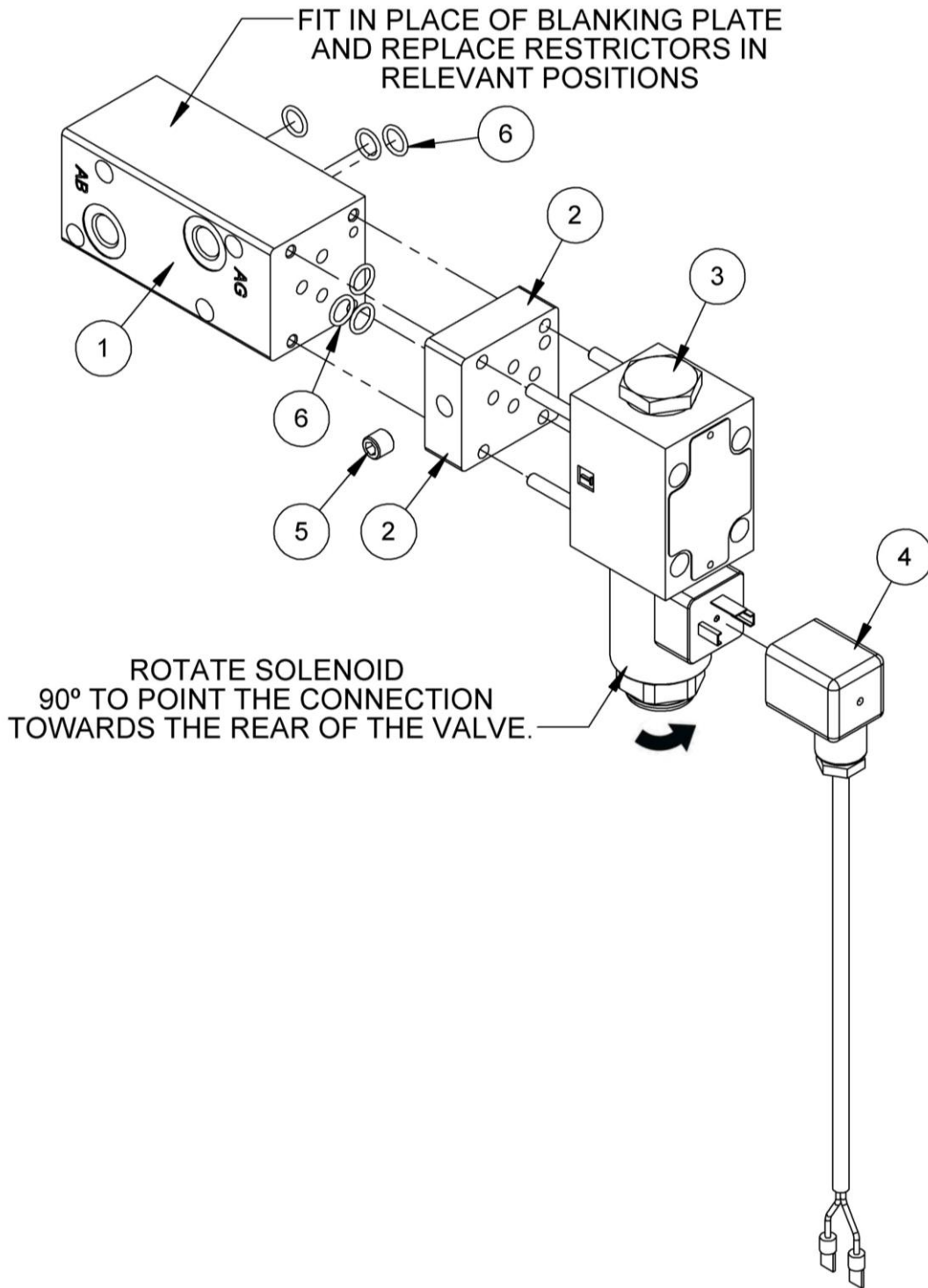
Module(s): 8126338

REF.	QTY.	PART No.	DESCRIPTION
		8126338	LIFT FLOAT KIT
1	1	43488.02	ACCUMULATOR BRACKET
2	1	41451.02	ACCUMULATOR
3	1	41451.05	ACCUMULATOR
4	1	04.056.13	ADAPTOR TEE
5	1	6000112	ADAPTOR
6	2	8650103	BONDED SEAL
7	2	8650104	BONDED SEAL
8	1	6000113	ADAPTOR
9	1	11.068.69	ADAPTOR TEE
10	1	10.004.10	HOSE - 3/8" BSP FS/F90 x 500mm
11	2	9213143	BOLT
12	2	9143003	SELF-LOCKING NUT
13	4	9100103	FLAT WASHER
14	1	8126035	NUT
15	1	43177.28	LOOM - LIFT FLOAT
16	1	08.619.09	VALVE - MODULAR
17	2	9313066	SETSCREW
18	2	9100206	SPRING WASHER
19	2	9143006	SELF-LOCKING NUT

ANGLE FLOAT KIT

Module(s): 8126352

McCONNEL

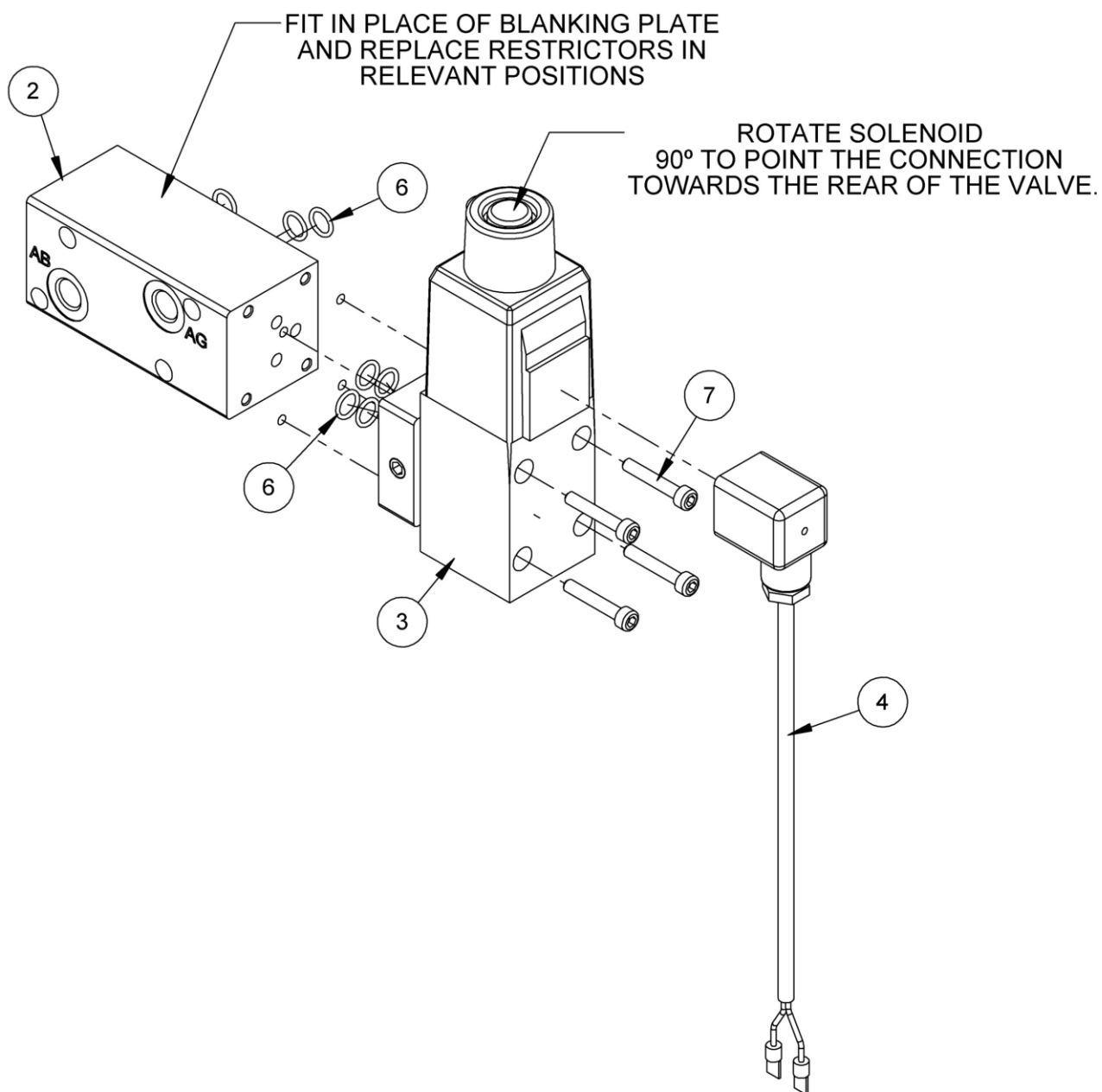


REF.	QTY.	PART No.	DESCRIPTION
		8126352	ANGLE FLOAT KIT
1	1	8126333	FLOAT VALVE BLOCK
2	1	8126334	BRIDGING PLATE
3	1	23550.05	DIRECTIONAL VALVE
4	1	8402338	LOOM - ANGLE FLOAT
5	1	8582041	TAPER PLUG
6	6	8700511	O RING

ANGLE FLOAT KIT

McCONNEL

Module(s): 8126261

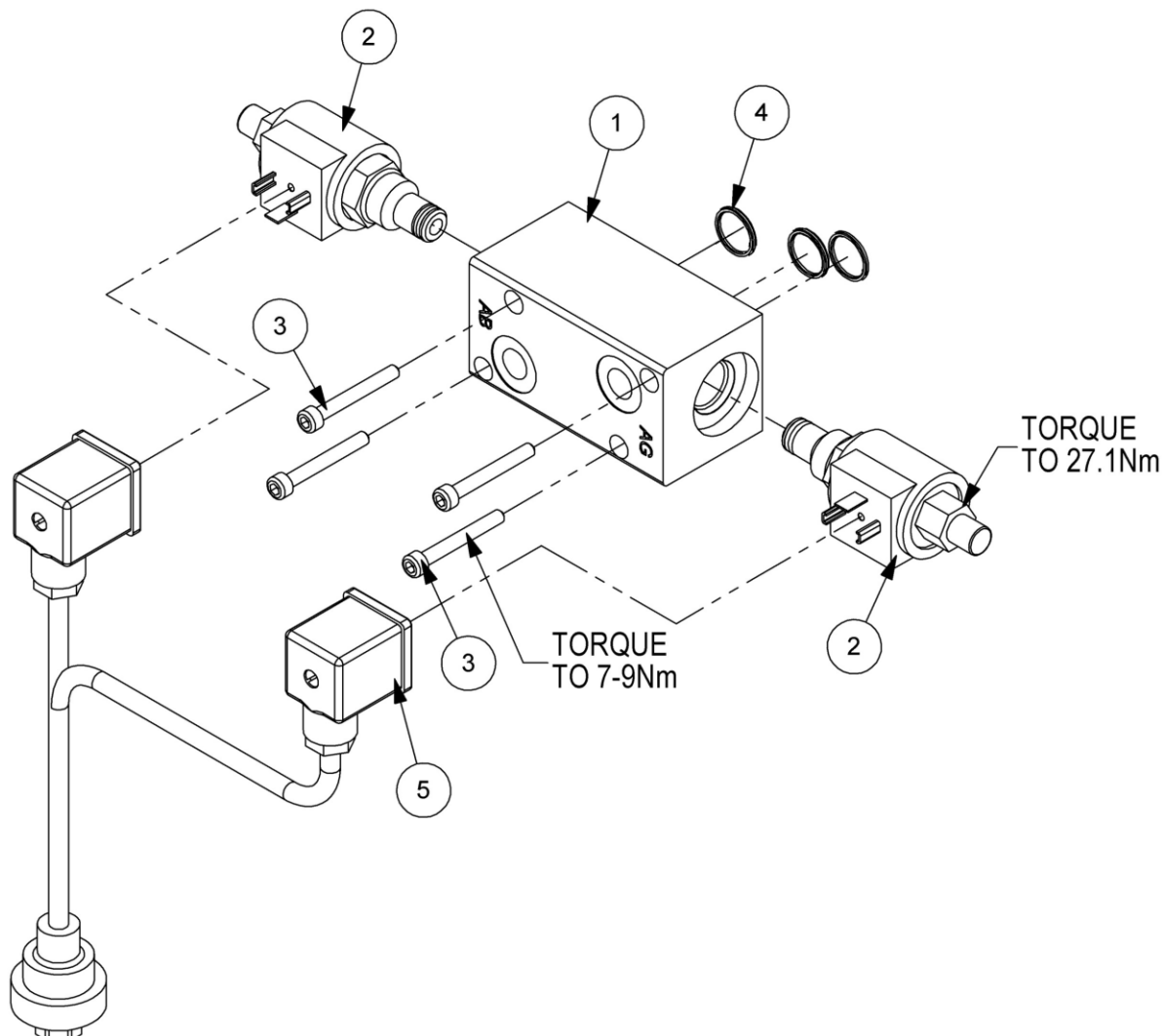


REF.	QTY.	PART No.	DESCRIPTION
		8126261	ANGLE FLOAT KIT
1	1	8126280	BRIDGING PLATE
2	1	8130323	FLOAT VALVE BLOCK
3	1	8130457	SOLENOID VALVE (SINGLE)
4	1	8402338	LOOM - ANGLE FLOAT
5	1	8582041	TAPER PLUG
6	7	8700511	O RING
7	4	9243062	CAPSCREW

ANGLE FLOAT KIT

Module(s): 8126361

McCONNEL



REF.	QTY.	PART No.	DESCRIPTION
		8126337	ANGLE FLOAT KIT
1	1	8132324	ANGLE FLOAT BLOCK
2	2	8130183	POPPET VALVE
3	4	9243082	CAPSCREW
4	3	8800504	O RING
5	1	43177.83	LOOM