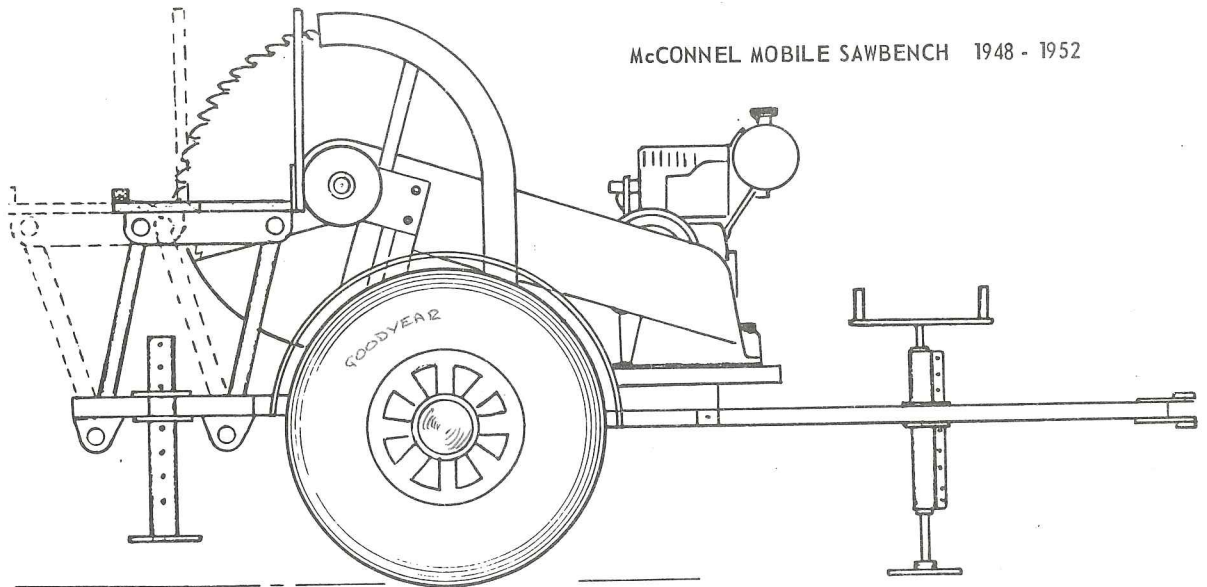


MOBILE SAWBENCHES

MOBILE SAWBENCHES

McCONNEL MOBILE SAWBENCH 1948 - 1952



A large number of models have been produced since this machine was first introduced in 1947. Details of all models are listed in Groups I, II III and IV following.

Sawblades for all models have 1.1/2" dia. centre hole, and 3/8" dia. peg hole at 1.5/16" centres. All models are painted green. Serial Number Plates on all models are fitted to the front of the chassis adjacent to the drawbar.

GROUP I

Machines produced before December 1954 - See illustration above.

Spare parts are no longer held in stock - refer to Note G below.

| Model | Power Unit | Fuel | Blade Dia. | Serial Nos: | Period of Manufacture | Notes |
|-------------|---------------------------|--------------------|------------|-------------|-----------------------|-------|
| MK I | 6 HP Coburn | Petrol | 30" | - | 1946 - 1947 | A |
| MK II | Petter PU 8 | Petrol | 30" | up to 162 | 1947 - 1948 | B |
| 8 PT | Petter 2 LTA | T.V.O. | 30" | 162 - 500 | 1948 - 20.4.52 | B |
| 9 PT | Petter 2 LTA | T.V.O. | 30" | | | |
| 10 PTP | Petter 2 LTA | Petrol | 30" | | | |
| MK IV | Petter 2 LTA AII or J2 | Petrol or T.V.O | 30" | 501 - 531 | 22.4.52 - 3.12.53 | C |
| 10 D MK I | AVA 2 | Diesel | 30" | 110 - 124 | 2.5.50 - 15.8.51 | |
| 10 D MK II | AVA 2 | Diesel | 30" | 125 - 127 | 6.4.51 - 23.5.51 | |
| 10 D MK III | AVA 2 | Diesel | 30" | 128 - 431 | 26.5.51 - 15-12-54 | D |
| 15 RD | Turner | Diesel | 30" | 1 - 15 | 3.2.50 - 25.2.52 | E |
| 18 RD | Armstrong | Diesel | 36" | 16 - 64 | 2.8.51 - 23.12.54 | E,F |
| ES 2 | Electric | - | 30" | 25 - 28 | 7.2.52 | E |

NOTES

- A - A few early models were fitted with a Roller Chain Drive
- B - Some machines were fitted with a ripping attachment (48" x 21.1/2"). The ripping table was hinged on its centre line, the one half folding back on to the other, when the swinging logging table was used.
- C - Fitted with a built-in Ripping Table which was tilted at 45° when logging
- D - 10 DC machines are for crosscutting only 10 DCR have a built-in ripping table and are dual purpose
- E - Fitted with a large stationary ripping table only - no swinging table
- F - Some machines fitted with Sawdust Extractor Fan and Sawdust Bagging Unit.
- G - Spare Parts: Although no spares are held in

stock for these machines, the manufacturers will, whenever possible, make every effort to keep these machines serviceable. The safety guards which were fitted do not comply with current safety regulations, and these must be modified locally.

Any enquiries to the makers regarding spares must be accompanied by the following information:-

1. Model and Serial Number
2. Type of Engine and Serial Number
3. Diameter of Sawblade in use and whether a ripping table is fitted.
4. A good description of the part required with a dimensional sketch if the part itself cannot be returned for identification.

GROUP II

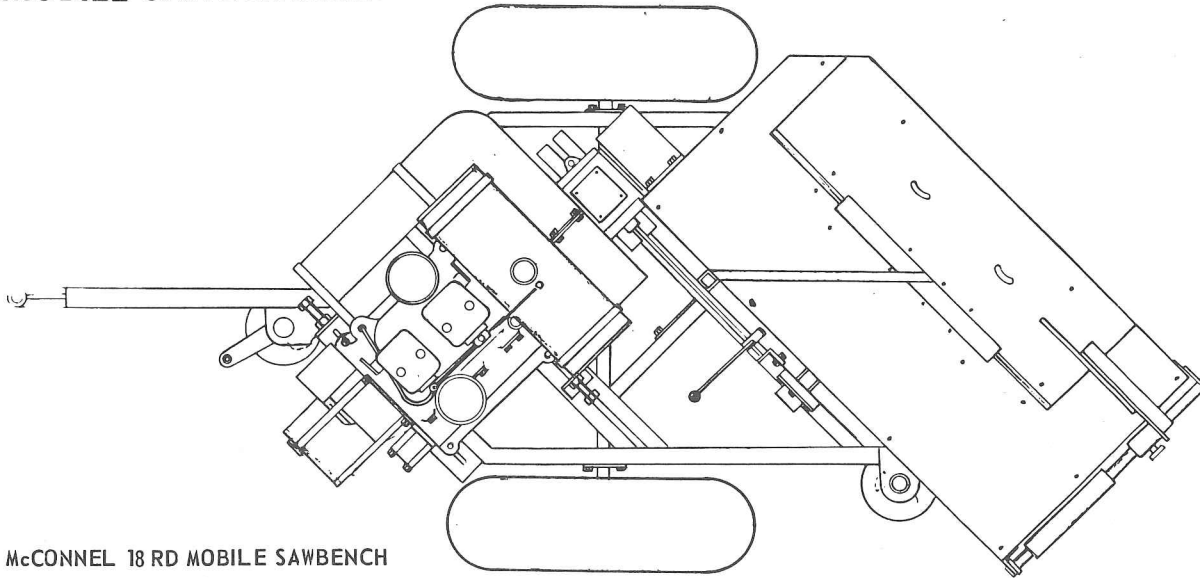
Machines manufactured subsequent to December 1954 but now discontinued.

| Model | From | To | Serial Numbers | Spares List |
|-------------|---------|----------|----------------|----------------|
| 10 DC & DCR | 1.1.55 | 31.7.63 | 424-954 | 10D/SP/Sep.67 |
| 14 DC & DCR | | | | |
| 18 RD | 27.1.55 | 7.11.61 | 66-139 | 18RD/SP/Sep.67 |
| 20 RD | | | | |
| 20 DC | 29.6.55 | 31.10.57 | 101-106 | 20DC/SP/Sep.67 |

10 DC has a Petter AVA 2 or Ruston 2YBA engine rated at 1500 rpm. Made for logging only 10 DCR is a 10 DC which has a 48" x 22.1/2" Ripping Table in addition to the swinging logging table. 14 DC or 14 DCR has the same specification as the 10 HP equivalents but the power unit is a Ruston 2YBA rated at 1800 rpm.

-continued -

MOBILE SAWBENCHES



McCONNEL 18 RD MOBILE SAWBENCH

GROUP II -continued

18RD is a ripping only machine with a large 52" x 27" stationary ripping table set diagonally across the chassis. The engine is an Armstrong Siddley twin cylinder. Most engines are fitted with a clutch and some of the Sawbenches are fitted with Sawdust Extractor Units. 20RD has same specification as above, but is fitted with a Ruston 2YWA engine.

20 DC has a 20 HP Armstrong twin cylinder diesel engine and is designed for logging only. Only six of these machines were manufactured. They are fitted with 36" dia. Sawblades.

All Safety Guards listed in the parts lists conform to the new safety regulations. They may differ in appearance to the guards which were fitted initially, but each guard is attached in a similar manner to the guard it supersedes.

GROUP III See illustration below

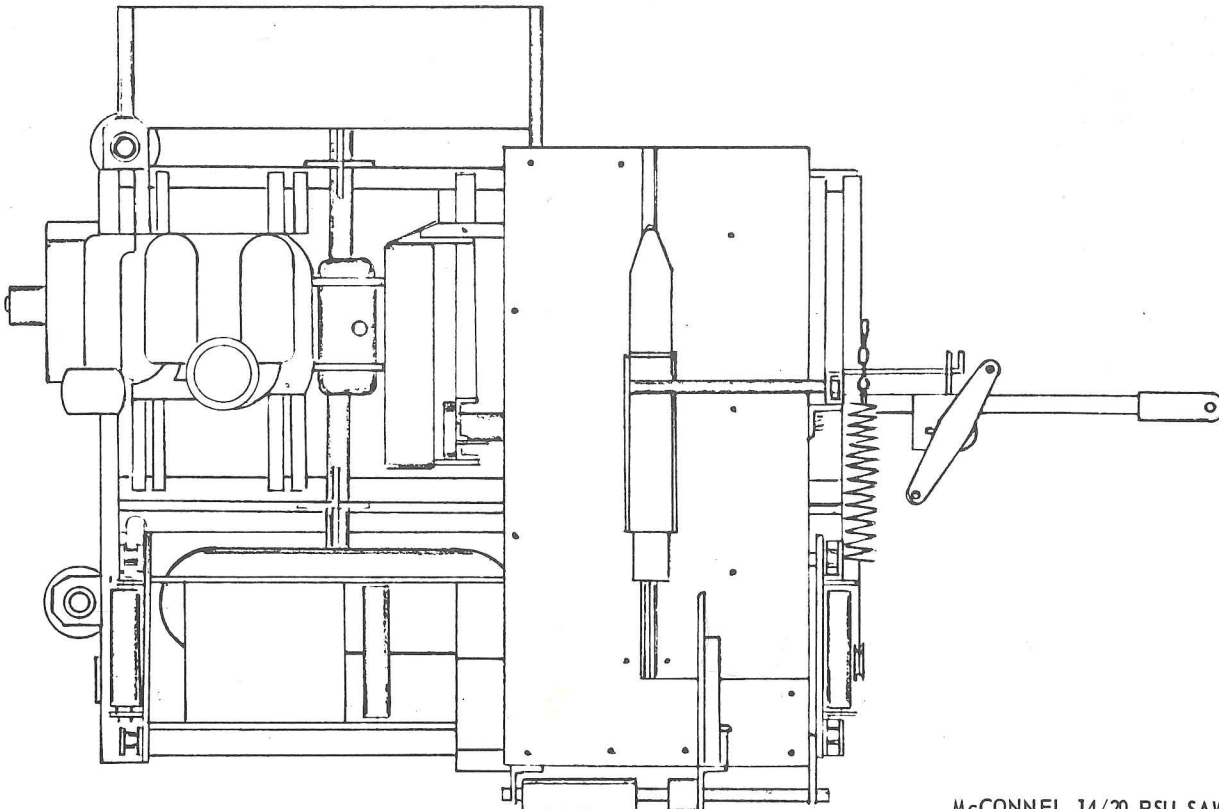
Current production machines (September 1967). All mobile saws produced since 1.8.63 are based on the same chassis, axle and drawbar assembly. They are described as follows:-

DCR - Have a fully boarded swinging logging table and a 52" x 27" ripping table, and are fitted with 10HP or 14HP engines and 30" dia. Blades.
Serial Numbers 955 onwards.

RSU - Have a roller swing unit instead of the fully boarded logging table. They have the same 52" x 27" ripping table and are fitted with 14HP or 20 HP engines, and equipped with either a 30" or 36" Blade. Effective from April 1959. Serial Numbers 101 onwards.

R - Ripping machines only. As RSU models, but a stationary frame is fitted instead of the roller swing unit.

Spares - See spares list MS/SP/Sep.67.



McCONNEL 14/20 RSU SAW

MOBILE SAWBENCHES

DETAILS OF SAWBLADES

GROUP IV

ELECTRIC POWERED MODELS

These machines are usually tailored to meet the individual customer's requirements, and it is therefore impossible to cover them with a Spare Parts List.

The manufacturer's records show the individual specification of these machines, and spares are usually available as long as the following information is given:-

1. Serial Number of the Sawbench
2. Serial Number of the Electric Motor
3. Approximate date of Manufacture (if known)
4. A good description of the part required, or where possible the part itself for identification.

INSTRUCTIONS (all Mobile Saws)

An instruction book written as a general guide in the use and application of McConnel Mobile Saws is available on application.

SAWBLADES

Ref: SB/PL/4.68

Sizes: 30" and 36" diameter blades are normally available ex stock.

36" blades for Models 14/ & 20/RSU/36 and 18/RD

All other McConnel Benches are designed for 30" blades.

Centre and Peg holes are the same for all benches. 1.1/2" Central hole, 3/8" dia. Peg hole at 1.5/16" centres.

Types: General Purpose 60 tooth. Supplied as standard on new benches. Use for ripping or crosscutting all except very hard or abrasive woods.

SAWBLADES - continued

Rip 60 tooth, thin gauge for ripping only. All except very hard or abrasive woods.

Peg-tooth Cross-cut 100 tooth, thick gauge, for crosscutting any timber. Peg-tooth is similar to that of ordinary handsaw.

Chrome Treated Coated with a layer of engineering chrome and therefore very resistant to abrasion. Suitable for use with tropical hardwoods or special work such as ripping sleepers.

Inserted tooth These expensive blades have almost unlimited life as the teeth can be replaced. Also they do not need sharpening as often as ordinary blades. 30" dia. Blades are supplied with 2.1/2 pattern teeth. 36" dia. Blades may either have 2.1/2 or 3 pattern teeth.

| Part No. | Dia. | No. of Teeth | Gauge | Tooth Form and Type | Delivery |
|-----------|------|--------------|-------|---------------------|-----------------------|
| 14-67-075 | 30" | 60 | 11 | G.P. | Stock |
| 15-76-171 | 30" | 60 | 12 | Rip | Stock |
| 15-76-172 | 30" | 100 | 10 | Peg Tooth | Stock |
| 15-76-186 | 30" | 60 | 12 | Chrome Treated | Quoted on application |
| 15-76-187 | 30" | 30 | 10/11 | Inserted tooth | Quoted on application |
| 15-76-173 | 36" | 60 | 10 | G.P. | Stock |
| 15-76-174 | 36" | 60 | 12 | Rip | Stock |
| 15-76-188 | 36" | 36 | 9/10 | Inserted tooth | Quoted on application |

SPARE PARTS MODELS 10 DC, 10 DCR, 14 DC, 14 DCR

Ref: 10D/SP/Sep.'67

| Part No. | No. Off | Description |
|------------------|----------|--------------------------------|
| SAWBLADES | | |
| 14-67-075 | as reqd. | 30" x 11 gauge General Purpose |
| 15-76-171 | | 30" x 12 gauge Rip Tooth |
| 15-76-172 | | 30" x 10 gauge Peg Tooth |

FRAME PARTS

| | | |
|-----------|----|------------------------------|
| 15-65-273 | 1 | Front Prop, screwed |
| 15-65-025 | 2 | Rear Prop |
| 15-65-020 | 1 | Bracket for N/S Rear Prop |
| 15-65-125 | 1 | Bracket for O/S Rear Prop |
| 15-65-252 | 1 | Drawbar |
| 15-76-029 | 3 | Prop Pin |
| 15-65-256 | 1 | Mudguard |
| 15-65-254 | 1 | Axle |
| 15-65-027 | 10 | Wheel Stud c/w Nut |
| 15-65-255 | 2 | Wheel Hub |
| 15-76-039 | 2 | Hub Cap |
| 15-76-037 | 2 | Floating Bronze Bush for Hub |

DRIVE PARTS

| | | |
|-----------|---|--|
| 15-65-260 | 1 | Saw Bearing Assembly, complete. (Specify outside diameter of pulley and number of grooves, also diameter of Saw Flanges when ordering) |
|-----------|---|--|

| Part No. | No. Off | Description |
|---|---------|---|
| DRIVE PARTS continued | | |
| 15-65-047 | 1 | Saw Shaft and Flanges (c/w saw flanges, outer cover plate and roller bearing at saw end. Specify diameter of saw flanges) |
| 06-12-226 | 1 | Bearing only - saw end |
| 06-03-224 | 1 | Bearing only - pulley end |
| 14-67-076 | 1 | Saw nut |
| 15-41-119 | 1 | Saw Spanner |
| For Saw Pulley see section Pulleys and Belts. | | |

RIPPING TABLE

| | | |
|-----------|-------|---------------------------------------|
| 15-65-265 | 1 | Top Guard, complete |
| 15-65-095 | 1 | Hinged Flap |
| 15-41-095 | 1 | Clamp Bolt |
| 15-65-122 | 1 | Extension Piece |
| 15-65-075 | 1 | Fence c/w Clamp Screw |
| 15-76-121 | 1 | Clamp Screw only |
| 15-65-074 | 1 | Fence Rail (specify length) |
| 15-65-086 | 1 | Feed Roller (requires 24" Fence Rail) |
| 15-65-126 | 1 set | Wood Packing, complete |
| 15-65-083 | 1 pr. | Wood Packing Strip |

continued

MOBILE SAWBENCHES

SPARE PARTS MODELS 10 DC, 10 DCR, 14 DC, 14 DCR

Ref: 10D/SP/Sep. '67

| Part No. | No. Off | Description |
|----------------------------------|---------|-------------------------------|
| RIPPING TABLE - continued | | |
| 15-65-085 | 1 set | Metal Retaining Strap |
| 15-65-084 | 1 set | Mouthpiece and String Packing |
| 15-65-082 | 1 | Table Locking Pin |
| 15-65-087 | 1 | Bottom Saw Guard |
| 15-65-079 | 3 | Table Top Clamp |
| 15-65-081 | 1 | Riving Knife Bracket |
| 15-76-273 | 1 | Riving Knife |

LOGGING TABLE

| | | |
|-----------|---|-------------------------------------|
| 15-65-041 | 1 | Timber Top |
| 15-65-042 | 1 | Timber Rail |
| 15-65-043 | 1 | Metal Safety Hinged Guard |
| 15-65-046 | 1 | Locking Pin |
| 14-21-097 | 2 | Table Compensating Spring |
| 15-65-040 | 1 | Rear Leg |
| 15-65-259 | 1 | Front Leg |
| 15-65-268 | 1 | Top Saw Guard (DC machines only) |
| 15-65-266 | 1 | Bottom Saw Guard (DC machines only) |

ENGINE PARTS

See Engine Manufacturers handbook

PULLEYS AND BELTS

| Model | Engine Pulley | Saw Pulley | Belts | Belt Guard |
|-----------------------------------|---------------|------------|-------------|------------|
| 10DC & DCR Petter AVA 2 | 15-01-254 | 15-01-251 | 4 09-12-042 | 15-65-261 |
| 10DC & DCR Ruston 2YBA 1500 | 15-01-253 | 15-01-251 | 4 09-12-042 | 15-65-276 |
| 14DC & DCR Ruston 2YBA 1800 | 15-01-255 | 15-01-252 | 5 09-12-042 | 15-65-276 |

| Part No. | No. Off | Description |
|----------|---------|-------------|
|----------|---------|-------------|

OTHER PARTS

| | | |
|-----------|---|-------------------------------|
| 15-65-269 | 1 | Remote Control Set for AVA 2 |
| 15-65-124 | 1 | . Spring only |
| 15-65-270 | 1 | Table Extension |
| 15-65-271 | 1 | Calibrated Stop |
| 15-65-272 | 1 | Bagging Attachment |
| 15-65-274 | 1 | Logging Stop |
| 15-65-275 | 1 | Feed Roller Assy. (Logging) |
| 15-65-278 | 1 | Exhaust Extension for 2YBA |
| 15-65-056 | 1 | Flywheel Guard Extension AVA2 |

SPARE PARTS MODELS 18 RD AND 20 RD

Ref: 18RD/SP/Sep. '67

| Part No. | No. Off | Description |
|------------------|----------|--------------------------|
| SAWBLADES | | |
| 15-76-171 | as reqd. | 30" x 12 gauge Rip Tooth |
| 15-76-172 | | 30" a 10 gauge Peg Tooth |
| 15-76-174 | as | 36" x 12 gauge Rip Tooth |

Details of Chrome treated and inserted tooth blades available on application.

FRAME PARTS

| | | |
|-----------|-----|----------------------|
| 15-41-253 | 1 | Front Prop |
| 15-41-022 | 2 | Rear Prop |
| 15-41-019 | 2 | Prop Pin - Rear |
| 15-41-020 | 1 | Prop Pin - Front |
| 15-41-076 | 1 | Drawbar - towing |
| 15-41-263 | * 1 | Axle |
| 15-65-027 | 10 | Wheel Stud and Nut |
| 15-65-255 | 2 | Wheel Hub |
| 15-76-039 | 2 | Hub Cap |
| 15-76-037 | 2 | Floating Bronze Bush |

* Applies to machines from 28.3.56, Serial No: 80. Earlier models had axle with Aero type wheels - no longer available. Fit Axle Assembly c/w Hubs and Wheels Pt. 15-41-262

DRIVE PARTS

| | | |
|-----------|-----|--|
| 15-41-255 | * 1 | Saw Bearing Assy, complete - Armstrong |
| 15-76-263 | * 1 | Saw Bearing Assy, complete - Ruston |

* Specify outside dia. of Pulley and number of grooves, and type of Engine, when ordering.

| Part No. | No. Off | Description |
|--------------------------------|---------|---|
| DRIVE PARTS - continued | | |
| 15-41-038 | Φ 1 | . Sawshaft c/w Flanges - Armstrong |
| 15-76-076 | Φ 1 | . Sawshaft c/w Flanges - Ruston |
| | Φ | Supplied c/w Saw Flanges, Outer Cover Plate and Roller Bearing - saw end. |
| 06-12-226 | 1 | . Bearing only, Saw end |
| 06-03-224 | 1 | . Bearing only, Pulley end |
| 14-67-076 | 1 | . Saw Nut |
| 15-41-119 | 1 | Saw Spanner |

For Saw Pulley see section Pulleys and Belts.

RIPPING TABLE

| | | |
|-----------|-------|-------------------------------------|
| 15-41-265 | 1 | Top Saw Guard, complete |
| 15-41-092 | 1 | . Extension Piece |
| 15-41-095 | 1 | . Clamp Bolt |
| 15-41-096 | 1 | . Stop Pin Assembly |
| 15-41-261 | 1 | Fence c/w Clamp Screw |
| 15-41-066 | 1 | . Clamp Screw |
| 15-41-071 | 1 | Fence Rail |
| 15-41-149 | 1 | Feed Roller |
| 15-41-267 | 1 pr. | Wood Packing Strip |
| 15-41-105 | 2 | Metal Retaining Strip |
| 15-41-103 | 1 set | Mouthpiece and String Packing - 30" |
| 15-41-104 | 1 set | Mouthpiece and String Packing - 36" |
| 15-41-254 | 1 | Bottom Saw Guard - Standard |
| 15-41-069 | 2 | Table Top Clamps |
| 14-21-264 | 1 | Riving Knife |

MOBILE SAWBENCHES

SPARE PARTS MODELS 18 RD AND 20 RD

Ref: 18RD/SP/Sep.'67

| Part No. | No. Off | Description | Part No. | No. Off | Description |
|---|---------|--|-----------------------------------|---------|-----------------------------|
| SAWDUST EXTRACTOR PARTS (if fitted) | | | <i>-continued</i> | | |
| 15-41-271 | 1 | Bottom Saw Guard | 15-41-158 | 1 | Link Drive Belt - 5'0" long |
| 15-41-134 | 1 | Impeller Shaft - specify Serial No: of machine when ordering | 09-01-121 | 1 | Grease Nipple |
| 06-04-216 | 2 | Impeller Bearing, pre machine Serial No: 94 | ENGINE PARTS | | |
| 06-04-625 | 2 | Impeller Bearing - machine Serial No: 95 onwards | See Engine Manufacturers handbook | | |

PULLEYS AND BELTS

| Engine | Blade Dia. | Engine Pulley | Saw * Pulley | Belts | Belt Guard | Shaft Guard | |
|--------------------------------|------------|---------------|--------------|-------|------------|-------------|-----------|
| Armstrong | 30" | 15-01-258 | 15-01-256 | 4 | 09-22-075 | 15-41-083 | 15-41-268 |
| | 36" | 15-01-258 | 15-01-257 | 4 | 09-22-075 | 15-41-083 | 15-41-268 |
| Ruston 2YWA (Std. Rotation) | 30" | 15-01-267 | 15-01-266 | 4 | 09-22-075 | 15-41-276 | - |
| | 36" | 15-01-253 | 15-01-266 | 4 | 09-22-075 | 15-41-276 | - |
| Ruston 2YWA (Rev. Rotation) | 36" | 15-01-263 | 15-01-265 | 5 | 09-12-064 | 15-41-278 | - |

* If machine is fitted with Sawdust Extractor, Pulley 15-01-256 becomes 15-01-259
Pulley 15-01-257 becomes 15-01-260.

All Guards now supplied as spares conform to current safety regulations.

SPARE PARTS MODEL 20 DC

Ref: 20DC/SP/Sep.'67

| Part No. | No. Off | Description | Part No. | No. Off | Description |
|--|---------|--|-----------------------------------|---------|--------------------------------|
| SAWBLADE | | | GUARDS | | |
| 15-76-173 | 1 | 36" x 10 gauge General Purpose | 15-66-268 | 1 | Top Saw Guard |
| FRAME PARTS | | | 15-66-266 | 1 | Bottom Saw Guard |
| 15-65-273 | 1 | Front Prop - screwed | 15-66-118 | 1 | Guard, Logging Table - Front |
| 15-65-025 | 2 | Rear Prop | 15-66-103 | 1 | Extension Piece for Top Guard |
| 15-76-029 | 3 | Prop Pin | 15-41-095 | 1 | Clamp Bolt for Extension Piece |
| 15-65-125 | 2 | Prop Bracket | ENGINE PARTS | | |
| 15-66-256 | 1 | Mudguard | See Engine Manufacturers handbook | | |
| 15-66-254 | 1 | Axle | PULLEYS AND BELTS | | |
| 15-65-027 | 10 | Wheel Stud and Nut | 15-01-262 | 1 | Engine Pulley |
| 15-65-255 | 2 | Wheel Hub | 15-01-261 | 1 | Saw Pulley |
| 15-76-039 | 2 | Hub Cap | 09-12-035 | 1 | Belts - set of 5 |
| 15-76-037 | 2 | Floating Bronze Bush | 15-66-057 | 1 | Belt Guard |
| 15-66-252 | 1 | Drawbar | | | |
| DRIVE PARTS | | | | | |
| 15-66-260 | 1 | Saw Bearing complete - specify size of Pulley and indicate it is for a 20 DC Sawbench. | | | |
| 15-66-047 | 1 | . Sawshaft and Flanges - only supplied c/w Flanges, Outer Cover Plate and Roller Bearing. Specify requirement for 20 DC. | | | |
| 06-12-226 | 1 | . Bearing only, Saw end | | | |
| 06-03-224 | 1 | . Bearing only, Pulley end | | | |
| 14-67-076 | 1 | . Saw Nut | | | |
| 15-41-119 | 1 | Saw Spanner | | | |
| For Saw Pulley see section Pulleys and Belts | | | | | |
| LOGGING TABLE | | | | | |
| 15-65-041 | 1 | Timber Top | | | |
| 15-65-042 | 1 | Timber Rail | | | |
| 15-65-043 | 1 | Safety Hinged Guard | | | |
| 15-65-046 | 1 | Locking Pin | | | |
| 14-41-097 | 2 | Table Compensating Spring | | | |

MOBILE SAWBENCHES

SPARE PARTS ALL MODELS FROM APRIL 1964

Ref: MS/SP/Sep. '67

| Part No. | DCR | | RSU | | Description |
|---|-----|----|----------|----|---|
| | 10 | 14 | 14 | 20 | |
| SAWBLADES | | | | | |
| 14-67-075 | | | | | 30" x 11 gauge Gen: Purpose |
| 15-76-171 | | | | | 30" x 12 gauge Rip Tooth |
| 15-76-172 | | | As | | 30" x 10 gauge Peg Tooth |
| 15-76-173 | | | required | | 36" x 10 gauge Gen: Purpose |
| 15-76-174 | | | | | 36" x 12 gauge Rip Tooth |
| FRAME PARTS | | | | | |
| 15-76-253 | 1 | 1 | 1 | 1 | Front Prop - screwed |
| 15-76-031 | 2 | 2 | 2 | 2 | Rear Prop |
| 15-76-028 | 1 | 1 | 1 | 1 | Bracket for N/S Rear Prop |
| 15-76-175 | 1 | 1 | 1 | 1 | Bracket for O/S Rear Prop |
| 15-76-252 | 1 | 1 | 1 | 1 | Drawbar |
| 15-76-029 | 3 | 3 | 3 | 3 | Prop Pin |
| 15-76-257 | 1 | 1 | 1 | 1 | Mudguard |
| DRIVE PARTS | | | | | |
| 15-76-263 | 1 | 1 | 1 | 1 | Saw Bearing Assy, complete (state dia. of Pulley, number of grooves and dia. of saw flanges) |
| 15-76-076 | 1 | 1 | 1 | 1 | . Sawshaft Assembly- c/w Flanges, Nut, Saw End Bearing and Cover Plate. |
| 15-76-084 | 1 | 1 | 1 | 1 | . Saw Flange c/w Pin |
| 06-12-226 | 1 | 1 | 1 | 1 | . Roller Bearing - Saw end |
| 06-04-645 | 1 | 1 | 1 | 1 | . Ball Bearing - Pulley end |
| 14-67-076 | 1 | 1 | 1 | 1 | . Saw Nut |
| 15-41-119 | 1 | 1 | 1 | 1 | Saw Nut Spanner |
| For Engine and Saw Pulleys, Belts and Guards see section Pulleys and Belts. | | | | | |
| RIPPING TABLE | | | | | |
| 15-76-276 | 1 | 1 | 1 | 1 | Top Saw Guard, complete |
| 15-76-132 | 1 | 1 | 1 | 1 | . Hinged Flap |
| 15-76-170 | 1 | 1 | 1 | 1 | . Clamp Plate |
| 15-76-271 | 1 | 1 | 1 | 1 | Fence |

| Part No. | DCR | | RSU | | Description |
|---------------------------------------|-----|----|-----|----|---|
| | 10 | 14 | 14 | 20 | |
| RIPPING TABLE <i>continued</i> | | | | | |
| 15-76-121 | 1 | 1 | 1 | 1 | . Clamp Screw |
| 15-76-116 | 1 | 1 | 1 | 1 | Fence Rail |
| 15-76-117 | - | - | 1 | 1 | Feed Roller |
| 15-76-179 | 1 | 1 | - | - | Wood Packing, 30" - set |
| 15-76-123 | 1 | 1 | - | - | . Packing Strip 30" - pair |
| 15-76-126 | 1 | 1 | - | - | . Mouthpiece and String Packing, 30" |
| 15-76-176 | - | - | 1 | 1 | Wood Packing, 36" - set |
| 15-76-184 | - | - | 1 | 1 | . Packing Strip 36" - pair |
| 15-76-125 | - | - | 1 | 1 | . Mouthpiece and String Packing, 36" |
| 15-76-124 | 1 | 1 | 1 | 1 | Set of Straps for Timber Packings |
| 15-76-128 | 1 | 1 | 1 | 1 | Table Locking Pin |
| 15-76-110 | 1 | 1 | 1 | 1 | Bottom Saw Guard |
| 15-76-273 | 1 | 1 | 1 | - | Riving Knife, 30" Blade |
| 15-76-272 | - | - | 1 | 1 | Riving Knife, 36" Blade |
| LOGGING TABLE | | | | | |
| 15-76-177 | 1 | 1 | - | - | Timber Top DCR |
| 15-76-178 | 1 | 1 | - | - | Timber Top DCR |
| 15-76-183 | 1 | 1 | - | - | Timber Rail DCR |
| 15-76-062 | - | - | 1 | 1 | Timber Top RSU |
| 15-76-063 | - | - | 1 | 1 | Timber Top RSU |
| 15-76-064 | - | - | 1 | 1 | Timber Rail RSU |
| 15-76-071 | - | - | 1 | 1 | Removeable Platform RSU |
| 15-76-065 | 1 | 1 | 1 | 1 | Safety Guard Flap |
| 15-76-070 | 1 | 1 | 1 | 1 | Table Latch |
| 15-76-067 | - | - | 3 | 3 | Table Roller |
| 15-76-068 | - | - | 5 | 5 | Spindle for Table Roller |
| 14-21-097 | 1 | 1 | 1 | 1 | Table Balance Spring |
| 15-76-073 | 1 | 1 | 1 | 1 | Wire Rope for Spring |
| 15-65-271 | 1 | 1 | 1 | 1 | Calibrated Stop |
| ENGINE PARTS | | | | | |
| See Engine Manufacturers handbook | | | | | |

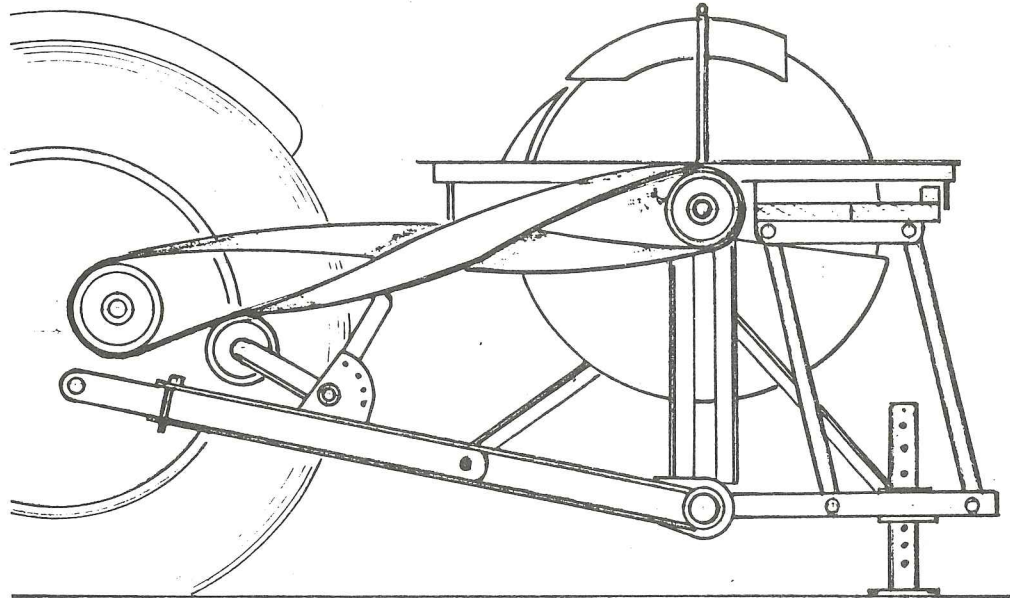
PULLEYS AND BELTS

| Model | Engine Pulley Part No: and Size | Saw Pulley Part No: and Size | Belts Qty. Part No. | Belt Guard |
|------------------|------------------------------------|---------------------------------|------------------------|---------------|
| 10DCR/LISTER/30" | 15-01-273 - | 15-01-272 | 4 09-12-048 | 15-76-287 |
| | 6.13/16" OD x 4 groove | 5.5/16" OD x 4 groove | | |
| 10DCR/PETTER/30" | 15-01-254 | 15-01-251 | 4 09-12-042 | 15-76-290 |
| | 5.9/16" OD x 4 groove | 6.5/16" OD x 4 groove | | |
| 14DCR/RUSTON/30" | 15-01-268 | 15-01-265 | 5 09-22-034 | 15-76-267 |
| | 7.5/16" OD x 5 groove | 5.5/16" OD x 5 groove | | |
| 14RSU/RUSTON/36" | 15-01-263 | 15-01-265 | 5 09-22-034 | 15-76-267 |
| | 6.5/16" OD x 5 groove | 5.5/16" OD x 5 groove | | |
| 20RSU/RUSTON/36" | 15-01-301 | 15-01-302 | 8 09-16-063 | 15-76-267 |
| | 6" OD x 8 groove | 5" OD x 8 groove | | |
| 20RSU/PETTER/36" | 15-01-303 | 15-01-302 | 8 09-16-063 | 15-76-267 |
| | 6" OD x 8 groove | 5" OD x 8 groove | | |

SPECIAL ITEMS (as required)

| Part No. | Description | Part No. | Description |
|-----------|--|-----------|--|
| 15-76-286 | Engine Mounting Plate for Lister SL2 (RSU) | 15-76-294 | Rip Table Support Leg - 'R' Models |
| 15-76-296 | Engine Mounting Plate for Lister SL2 (DCR) | 15-76-157 | Starter Shaft Guard - P.J.2 |
| 15-76-285 | Exhaust Extension - Petter PJ2 | 15-76-295 | Heavy Duty Tarpaulin Cover |
| 15-65-278 | Exhaust Extension - Ruston 2YBA | 15-65-271 | Calibrated Stop |
| 15-76-289 | Remote Control Assy. - Lister SL2 | 15-76-284 | Roller Topped Trestle |
| 15-65-269 | Remote Control Assy. - Petter AVA 2 | 15-76-150 | Expul Shaft Extension and Pulley - Petter |
| 15-76-293 | Flywheel Guard - Ruston | 15-76-182 | PUL/RH Shaft Extension and Pulley - Ruston |
| 15-65-056 | Flywheel Extension Guard - Petter AVA 2 | | RFEF Roller Feed Extension - DCR |
| | | | RFEFB Roller Feed Extension - RSU |

**SAWBENCHES
TRACTOR MOUNTED
MARK 1 DB, 2 DB, 3 DB**



McCONNEL MARK 2DB SAWBENCH 1948 -1952

MARK 1 DB

Introduced on 20.9.48 and superseded by Mark 2 DB on 3.12.1948. Only 30 of these machines were made. Serial Numbers were DB 100 to DB 129. All were fitted to David Brown Cropmaster tractors.

Recognition:

Easily recognisable from all other McConnell sawbenches because it had saw flanges at each end of the sawshaft; the blade being fitted to the right hand end and used in conjunction with the swinging table for logging, and transferred to the left hand end and used in conjunction with the portable ripping table for ripping.

Spares:

No spares are available, but the 30" G.P. Sawblade (Pt. No: 14-67-075) will fit this machine.

MARK 2 DB See illustration above

Manufactured from 3.12.1948 to 12.12.1952. Serial Numbers between DB 2/ 130 and DB 2/ 449. Painted red and made for D.B. Cropmaster tractors.

Recognition:

The sawbench frame has two longitudinal channels which run parallel to and inside the tractor's draft links. The channels are cross braced with diagonal stays which give a lattice work effect. The channels are pin fitted to the ball end of the draft links and clamped at the forward end. The bench is raised on the draft links only, the tractor top link not being used.

Drive is by a 4" wide crossed flat belt from the tractor pulley to the 6" dia. pulley on the saw-

shaft. The machine has a 3'6" long swinging table for logging, and a 3'10" x 1'6.3/4" detachable table for ripping which is fitted over the logging table when in use and stowed over the lattice section of the frame when not required.

Spares:

Users requiring spares for these machines can obtain a spares list on loan from the manufacturers for identification purposes. Although efforts will be made to supply spares, no guarantee of delivery can be given and prices will be quoted on application.

Blades:

30" General Purpose - Part No: 14-67-075

MARK 3 DB

This is a version of the Mark 2 DB made for the David Brown VAK 1a tractor. Production ran concurrently with the Mark 2 DB and serial numbers were concurrent.

Recognition:

Differed from the Mark 2 DB principally in two respects:-

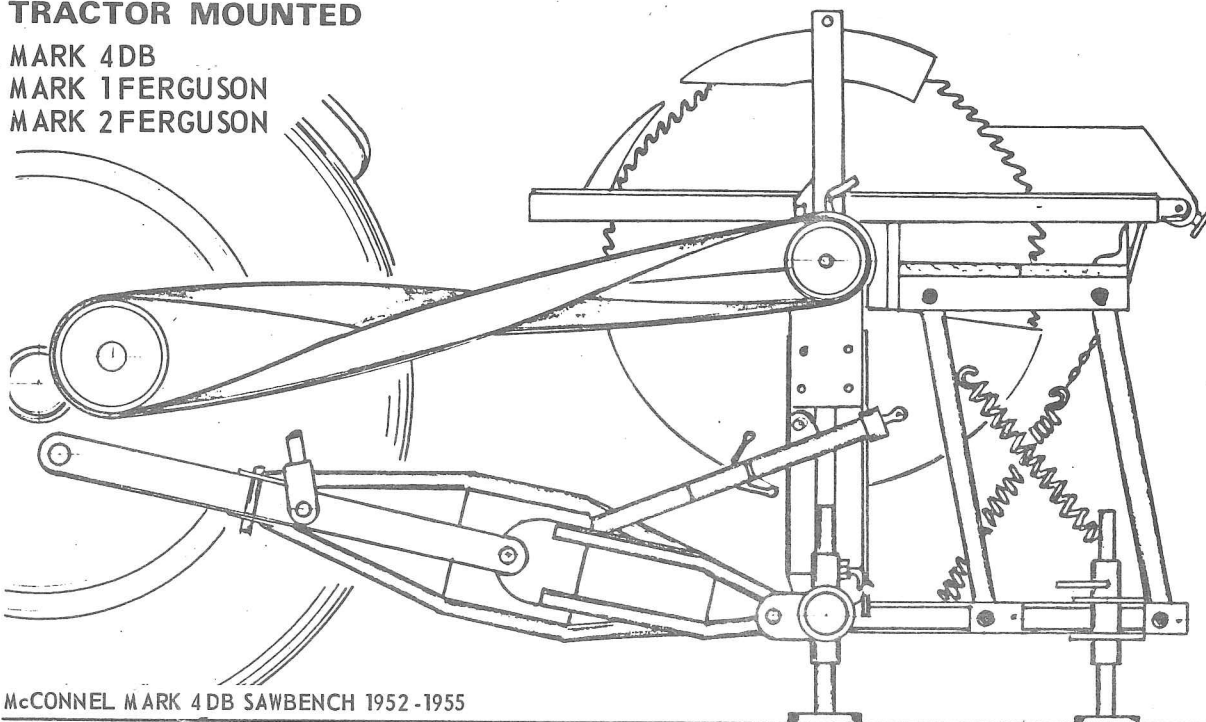
1. The channel and lattice section of the frame was replaced by 2.1/2" dia. tubes, tapering inwards at the correct angle for the draft links.
2. The distance between the Saw bearing centres is 37.3/4" compared with 27.5/8" on the Mark 2.

Spares:

As for Mark 2 DB machines.

SAWBENCHES TRACTOR MOUNTED

MARK 4DB
MARK 1 FERGUSON
MARK 2 FERGUSON



McCONNEL MARK 4 DB SAWBENCH 1952-1955

MARK 4 DB see illustration above

Manufactured from 18.12.1952 until 10.6.1955.
Serial Numbers DB 4/451 to DB 4/499.
Painted red and made to suit David Brown tractors.
Recognition:

This machine is basically the same as the Mark 2 Ferguson Sawbench described in a later paragraph but differed in the following respects:-

1. The sawbench frame is attached to the tractor by means of a special diagonal shaped tubular lift frame.
2. The tractor top link is fitted between the tubular lift frame and the sawbench frame to act as a belt tensioner.

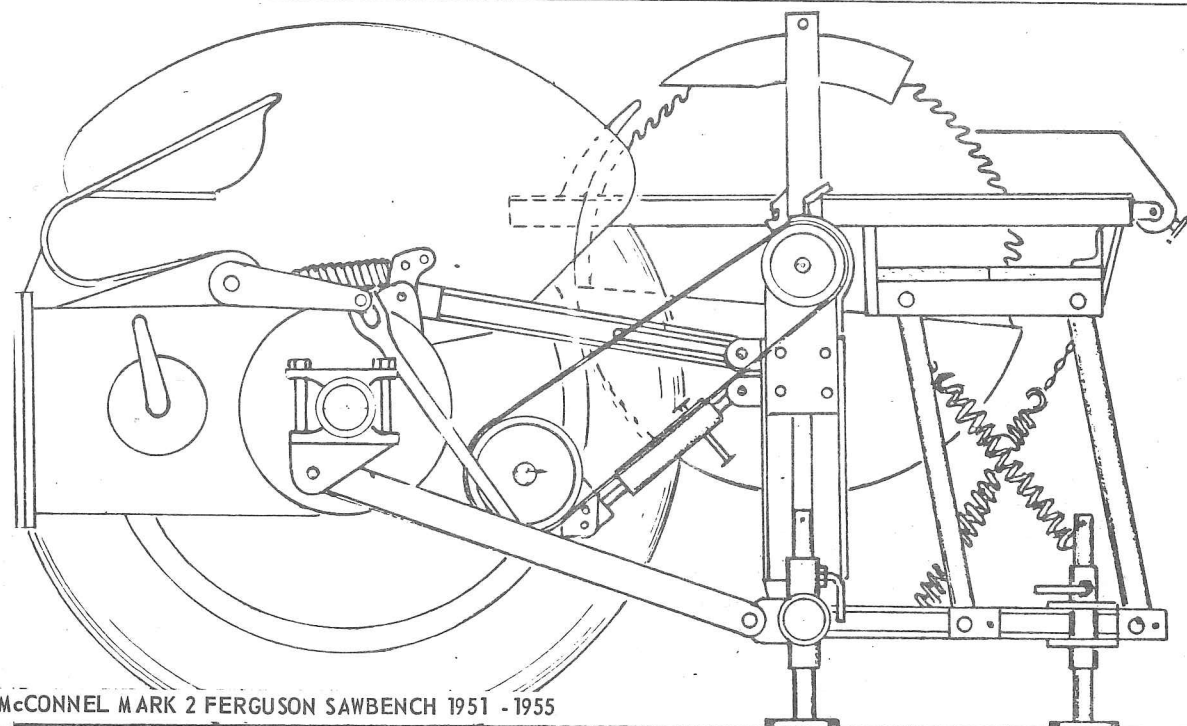
3. The distance between the Saw bearing centres is 27.5/8".

4. The Sawshaft pulley is 6" diameter.

Spares:

The only spares available are as follows:-

| Part No. | Description |
|-----------|------------------------------------|
| 06-03-224 | Ball Bearings for Sawshaft |
| 14-58-026 | Belt - 4" x 4 ply x 10'0.1/2" long |
| 14-67-075 | Sawblade - 30" General purpose. |



McCONNEL MARK 2 FERGUSON SAWBENCH 1951 - 1955

MARK 1 FERGUSON

Manufactured from 7.5.1951 to 19.12.1951
Serial Numbers 1F/101 to 1F/131
No details of these machines, or spare parts, are available, but 30" G.P. Sawblades (Pt. No: 14-67-075) were fitted.

MARK 2 FERGUSON see illustration above

Manufactured from 19.12.1951 to 21.10.1955
Serial Numbers 2F/132 to 2F/366
Painted grey and made for Ferguson tractors.
Recognition:
Attached directly to tractor draft links. A special channel section slotted top link is

-continued

SAWBENCHES TRACTOR MOUNTED

MARK 2 FERGUSON
ALL WORK SAWS
Mark 6 and 7

MARK 2 FERGUSON - continued

used instead of the tractor top link; this is to allow for belt take up when the bench is raised for travelling. A turnbuckle is fitted between the tractor pulley gearbox and the saw bearing assembly for belt tensioning.
Swinging Table, 3'6" long for logging.
Detachable Table 3'10" x 18.3/4" for ripping.
Saw Bearing centres 38.1/4"

Saw Pulley 8" dia. x 6" face, may be Cast Iron or pressed Steel.

Spares:

The only spares now available are:-

| Part No. | Description |
|-----------|-----------------------------------|
| 14-48-088 | Flat Belt, 4" x 4 ply x 4'11.1/2" |
| 14-67-075 | Sawblade, 30" G.P. |

ALL WORK SAW - MARK 6 AND 7- see illustration with Parts List

Introduced on 8.6.1955 and still in production. Serial Numbers commenced at 1001
Mark 6 is painted green and will fit all tractors. Mark 7 is painted red and is made exclusively for David Brown tractors.
Recognition:
Pin fitted to the tractor three point linkage and offset to right hand side of tractor. A 46" x 31.1/2" sliding ripping table is fitted. Drive is by telescopic universal joint from the

tractor P.T.O. to a countershaft, and then by an endless flat belt to the sawshaft which carries a 30" G.P. Sawblade.

Spares:

All spare parts quoted on parts lists are currently available, although there may be a slight delay in the supply of certain items which appeared in the early parts lists and which have now been superseded by alternative designs on current models.

MODIFICATIONS AFFECTING INTERCHANGEABILITY

| Date | Modification | From Ser: No: |
|----------|---|---------------|
| 29-12-58 | Countershaft Guard, Pt.No. 14-67-265 added. Telescopic Guards incorporated on Universal Drive Shaft. | 1980 |
| 1-9-59 | Top Saw Guard redesigned to comply with new regulations. Current design guard will fit all of the early machines. | 2183 |
| 18-2-60 | Bottom Saw Guard altered to comply with safety regulations. Current design will fit all machines. | 2231 |
| 10-3-60 | Totally enclosed Universal Drive Shaft. | 2281 |
| 15-2-61 | 'Overcentre' Belt Trip replaced by a Belt 'Throw-off'. Parts not interchangeable. All screw threads changed from BSF to UNF | 2649 |

SPARES

The following parts which have now been discontinued in production are still available as spares.

| Old Part No. | New Part No. | Description |
|--------------|--------------|--|
| W.1500 | 14-67-083 | Top Saw Guard Assembly. Machines before Ser: No: 2183 should be fitted with current type to conform to safety regulations. |
| W.1703 | 14-67-267 | Bottom Saw Guard - see note re Machines before Ser: No: 2183 above. |
| W.1601 | 14-67-046 | Operating lever |
| W.1602 | 14-67-044 | { Side Plate - rear Side Plate - front |
| W.1603 | | |
| W.1608 | 14-67-047 | Pivot Pin |
| W.1611 | 14-67-095 | Distance Piece |
| W.1612 | 01-13-006 | 5/8" BSF Locknut |
| W.1410 | 01-43-006 | 5/8" BSF Aeronut |
| W.1615 | 14-67-045 | Support Bracket. |

Reference to the table below shows which parts are required, or need modification, when converting from one tractor to another. Linkage Pin Sleeves (14-67-096) and Top Hitch Pin Sleeve

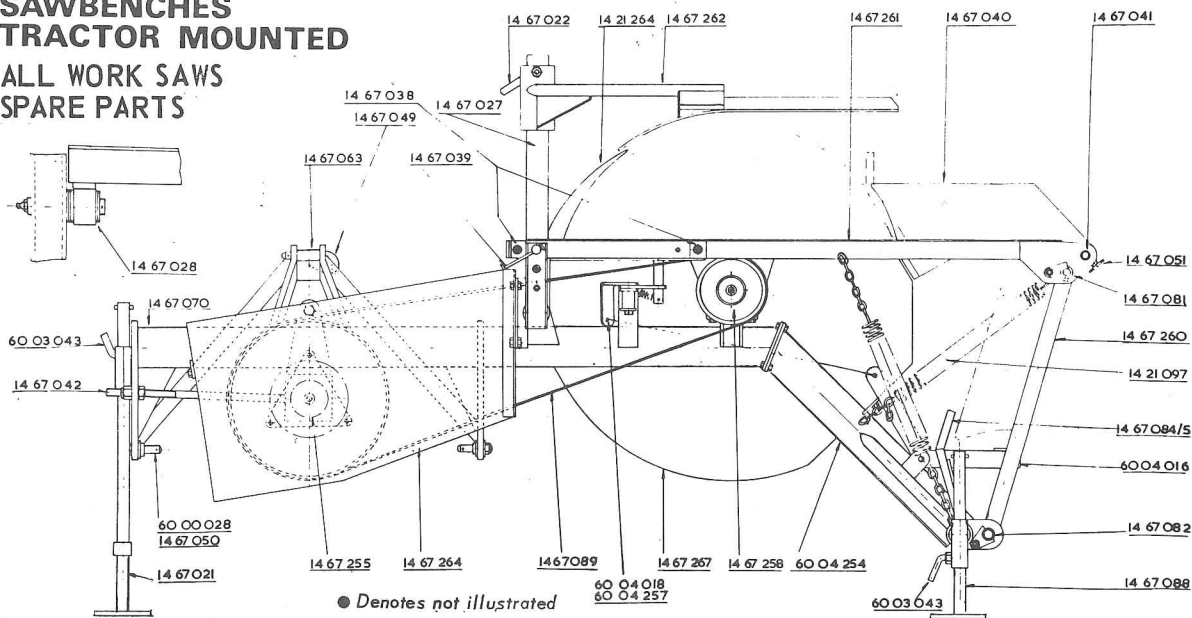
(14-67-063) are always supplied initially. Splined Adaptor (68-01-066) is only supplied for tractors with a 1.1/8" dia. P.T.O.

| Tractor | Linkage Pins | Linkage Pin Sleeves 14-67-096 | Top Hitch Pin Sleeves 14-67-063 | Splined Adaptor 68-01-066 |
|-------------------------|--------------|----------------------------------|------------------------------------|------------------------------|
| Ferguson TE 20 | 60-00-028 | Not required | Not required | Required |
| Ferguson FE 35 | 60-00-028 | Not required | Not required | Not required |
| Ferguson '65' | 60-00-028 | Not required | Not required | Not required |
| Fordson Major | 60-00-028 | Required | Required | Not required |
| Ford Dexta | 60-00-028 | Not required | Not required | Not required |
| David Brown | 60-00-028 | Not required | Not required | Not required |
| Nuffield | 60-00-028 | Required | Required | Not required |
| International Supers | 60-00-028 | Required | Required | Not required |
| International B.250/275 | 60-00-028 | Required | Required | Not required |
| International B.414 | 60-00-028 | Required | Required | Not required |
| Allis Chalmers 'B' | 14-67-050 | Not required | Not required | Required |
| Allis Chalmers D.270 | 60-00-028 | Not required | Not required | Not required |
| Massey Harris | 60-00-028 | Required | Required | Not required |

Fittings are available for other tractors with P.T.C. and Hydraulic Lift. Details on application

SAWBENCHES TRACTOR MOUNTED

ALL WORK SAWS SPARE PARTS



| Old Part No. | New Part No. | No. Off | Description |
|----------------|--------------|---------|--|
| W.1100 | 14-67-251 | 1 | MAIN FRAME, bare, comprising:- |
| W.1100C | 14-67-070 | 1 | . Main Frame, lift end |
| P.4700B | 60-04-254 | 1 | . Main Frame, outer end |
| ● W.1407 | 02-11-093 | 4 | . 1.1/8" x 3/8" UNF Bolt |
| | 01-41-003 | 4 | . 3/8" UNF Aeronut |
| W.1400 | 14-67-077 | 1 | TABLE ASSEMBLY, complete, comprising:- |
| W.1401 | 14-67-261 | 1 | . Table Top, bare |
| ● W.1402 | 14-67-078 | 2 | . Timber Saw Packing, long |
| ● W.1403 | 14-67-079 | 2 | . Timber Saw Packing, short |
| ● W.1404 | 14-67-031 | 2 | . Retaining Strip c/w Screws |
| ● W.1405 | 03-31-163 | 8 | . 2" x 3/8" UNF Csk Screw |
| W.1406 | 14-67-038 | 4 | . Table Travel Stop |
| ● W.1407 | *02-11-093 | 4 | . 1.1/8" x 3/8" UNF Bolt |
| | *01-41-003 | 4 | . 3/8" UNF Aeronut |
| ● W.1408 | *01-00-103 | 4 | . 3/8" dia. Flat Washer |
| *For 14-67-038 | | | |
| W.1409 | 14-67-041 | 1 | . Fence Rail c/w Nut |
| ● W.1410 | 01-41-006 | 1 | . 5/8" UNF Aeronut |
| ● W.1411 | 14-67-037 | 1 | . Slotted Bracket for Fence Rail |
| ● W.1412 | *02-11-092 | 2 | . 1" x 3/8" UNF Setscrew |
| ● W.1408 | *01-00-103 | 2 | . 3/8" dia. Flat Washer |
| *For 14-67-037 | | | |
| W.1414 | 14-67-040 | 1 | . Fence c/w Clamp Screw |
| W.1415 | 14-67-051 | 1 | . Clamp Screw |
| W.1416 | 14-67-080 | 1 | TABLE LEG, comprising:- |
| W.1417 | 14-67-260 | 1 | . Frame only |
| W.1418 | 14-67-081 | 1 | . Top Bearing Tube c/w Bolt and Nut |
| W.1420 | 14-67-082 | 2 | . Bottom Bearing Tube c/w Bolt and Nut |
| ● W.1419 | 02-11-083 | 3 | . 1" x 3/8" UNF Bolt |
| | 01-41-003 | 3 | . 3/8" UNF Aeronut |
| W.1500 | 14-67-083 | 1 | TOP GUARD ASSY, complete |
| W.1501 | 14-67-027 | 1 | . Vertical Pillar c/w Bolts and Nuts |
| ● W.1502 | 02-11-205 | 1 | . 2.1/2" x 1/2" UNF Bolt |
| | 01-61-005 | 1 | . 1/2" UNF Nylok Nut |
| ● W.1503 | 02-11-105 | 1 | . 1.1/4" x 1/2" UNF Bolt |
| | 01-61-005 | 1 | . 1/2" UNF Nylok Nut |
| W.1504 | 14-67-262 | 1 | . Top Guard, Welded Unit |
| W.1505 | 14-67-022 | 1 | . Clamp Screw |

REMOTE CONTROL PARTS

| | | | |
|----------|-----------|---|---------------------------|
| P.4750 | 60-04-016 | 1 | . Foot Pedal |
| ● P.4751 | 01-00-107 | 1 | . 3/4" dia. Flat Washer |
| ● P.4752 | 05-03-125 | 1 | . 1.1/2" x 3/16" Splitpin |
| P.4753 | 60-04-018 | 1 | . Wire Rope, complete |
| P.4754 | 60-04-259 | 1 | . Belt Trip |
| ● P.4755 | 60-04-017 | 1 | . Spring |

| Old Part No. | New Part No. | No. Off | Description |
|--------------|--------------|---------|-------------|
|--------------|--------------|---------|-------------|

REMOTE CONTROL PARTS - continued

| | | | |
|----------|-----------|---|-------------------------------------|
| W.1610 | 14-67-042 | 1 | . Tension Bar, complete |
| ● W.1612 | 01-12-006 | 1 | . 5/8" UNC Locknut |
| ● W.1410 | 01-42-006 | 1 | . 5/8" UNC Aeronut |
| ● W.1614 | 14-67-043 | 1 | . Pivot Pin c/w Washer and Splitpin |
| GUARDS | | | |
| W.1701 | 14-67-264 | 1 | . Pulley Guard |
| ● W.1419 | 02-11-083 | 4 | . 1" x 3/8" UNF Bolt |
| | 01-41-003 | 4 | . 3/8" UNF Aeronut |
| W.1703 | 14-67-267 | 1 | . Bottom Saw Guard |
| ● W.1419 | 02-11-083 | 4 | . 1" x 3/8" UNF Bolt |
| | 01-41-003 | 4 | . 3/8" UNF Aeronut |
| W.1705 | 14-67-084 | 1 | . Logging Guard, wide |
| W.1706 | 14-67-085 | 1 | . Logging Guard, narrow |
| ● W.1707 | 05-01-125 | 4 | . 3/16" dia Grooved Pin |

ATTACHMENT PINS AND SLEEVES

| | | | |
|-------------|-----------|---|---|
| W.1801 | 60-00-028 | 2 | . Tractor Linkage Pin, 7/8" dia. |
| W.1802 | 14-67-050 | 2 | . Tractor Linkage Pin, 1" dia. |
| ● 14-67-096 | | 2 | . Linkage Pin Sleeve |
| ● W.1410 | 01-41-006 | 2 | . 5/8" UNF Aeronut (if BSF use Pt: 01-43-006) |
| ● W.1805 | 01-00-106 | 2 | . 5/8" dia Flat Washer |
| W.1806 | 14-67-049 | 1 | . Top Hitch Pin, complete |
| W.1807 | 14-67-063 | 1 | . Spacer Tube |
| ● W.1808 | 04-31-105 | 1 | . Spring Cotter |
| ● W.1605 | 05-03-083 | 2 | . 1" x 1/8" Splitpin |
| ● W.1810 | 14-67-086 | 1 | . Attachment Chain |

TABLE ROLLERS

| | | | |
|----------|-----------|---|--------------------------|
| W.1820 | 14-67-028 | 2 | . Roller |
| ● W.1821 | 14-67-087 | 6 | . Special Washer |
| ● W.1822 | 05-03-123 | 2 | . 1.1/2" x 1/8" Splitpin |
| ● W.1823 | 09-01-121 | 2 | . Grease Nipple |

SUPPORT PROPS

| | | | |
|----------|-----------|---|-----------------------------|
| W.1830 | 14-67-021 | 1 | . Prop - Tractor end, long |
| W.1831 | 14-67-088 | 2 | . Prop - Table end, short |
| ● W.1832 | 05-02-126 | 3 | . 1.1/2" x 1/4" Grooved Pin |
| W.1833 | 60-03-043 | 3 | . Clamp Screw |

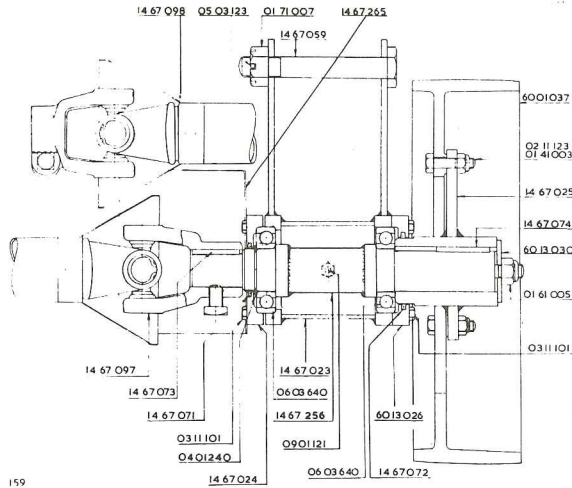
MISCELLANEOUS

| | | | |
|----------|-----------|---|---|
| W.1840 | 14-21-264 | 1 | . Riving Knife |
| ● W.1604 | 01-00-105 | 1 | . 1/2" dia. Flat Washer |
| ● W.1842 | 01-61-005 | 1 | . 1/2" UNF Nylok Nut (if BSF use Pt: 01-43-005) |
| W.1850 | 14-67-039 | 1 | . Locking Screw for Table |
| W.1860 | 14-67-089 | 1 | . Endless Flat Belt |
| W.1870 | 14-21-097 | 2 | . Table Compensating Springs |
| ● W.1880 | 14-67-052 | 1 | . Special Top Link for Allis Chalmers 'B' |
| ● W.1890 | 14-67-054 | 1 | . Stabiliser for David Brown, complete |

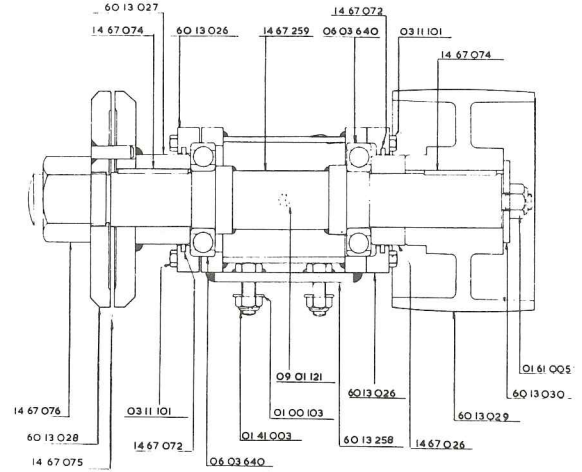
-continued-

SAWBENCHES TRACTOR MOUNTED

ALL WORK SAWS SPARE PARTS



DRIVE SHAFT BEARING ASSEMBLY



SAWSHAFT BEARING ASSEMBLY

| Old Part No. | New Part No. | No. Off | Description |
|--|--------------|---------|--|
| W.1200 | 14-67-255 | 1 | DRIVE SHAFT BEARING ASSY. complete |
| W.1201 | 14-67-023 | 1 | . Bearing Housing |
| W.1202 | 14-67-256 | 1 | . Countershaft |
| W.1203 | 06-03-640 | 2 | . Ball Bearing |
| W.1205 | 04-01-240 | 1 | . Circlip 40 mm, external |
| W.1206 | 14-67-024 | 1 | . Cover Plate, P.T.O. end |
| W.1207 | 60-13-026 | 1 | . Cover Plate, Pulley end |
| W.1208 | 14-67-071 | 1 | . Felt Oil Seal - P.T.O. |
| W.1209 | 14-67-072 | 1 | . Felt Oil Seal - Pulley |
| W.1210 | 03-11-101 | 8 | . 1.1/4" x 1/4" UNF Setscrew |
| W.1211 | 14-67-025 | 1 | . Pulley Hub |
| W.1212 | 60-01-037 | 1 | . Flat Pulley, 14" dia. |
| W.1213 | 02-11-123 | 3 | . 1.1/2" x 3/8" UNF Bolt |
| | 01-41-003 | 3 | . 3/8" UNF Aeronut |
| W.1214 | 60-13-030 | 1 | . Special Washer - Pulley |
| W.1842 | 01-61-005 | 1 | . 1/2" UNF Nylok Nut (if BSF use Pt: 01-43-005) |
| W.1216 | 14-67-059 | 1 | . 5.1/2" x 3/4" UNF Bolt |
| W.1217 | 01-71-007 | 1 | . 3/4" UNF Slotted Nut |
| W.1218 | 05-03-123 | 1 | . 1.1/2" x 1/8" Splitpin |
| W.1823 | 09-01-121 | 1 | . Grease Nipple |
| W.1220 | 14-67-073 | 1 | . 5/16" Key |
| W.1221 | 14-67-074 | 1 | . 3/8" Key |
| W.1225 | 14-67-265 | 1 | P.T.O. KNUCKLE GUARD |
| - | * 14-67-097 | 1 | UNIVERSAL SHAFT - SAWBENCH END - Elliptical Section |
| - | Φ 14-67-098 | 1 | UNIVERSAL SHAFT - 1.3/8" SPLINE - Elliptical Section |
| - | 68-01-066 | 1 | 1.3/8" - 1.1/8" SPLINED ADAPTOR. |
| *Supersedes W.1222A (14-67-090) - rectangular section bar | | | |
| Φ Supersedes W.1223A (14-67-091) - rectangular section tube. | | | |

| Old Part No. | New Part No. | No. Off | Description |
|--------------|--------------|---------|---|
| W.1300 | 14-67-258 | 1 | SAW BEARING ASSY, comp. |
| W.1301 | 60-13-258 | 1 | . Bearing Housing |
| W.1302 | 14-67-259 | 1 | . Saw Shaft |
| W.1203 | 06-03-640 | 2 | . Bearing |
| W.1207 | 60-13-026 | 2 | . Cover Plate |
| W.1209 | 14-67-072 | 2 | . Oil Seal |
| W.1210 | 03-11-101 | 8 | . 1.1/4" x 1/4" Setscrew |
| W.1221 | 14-67-074 | 2 | . Key |
| W.1309 | 60-13-027 | 1 | . Fixed Flange |
| W.1311 | 60-13-028 | 1 | . Loose Flange |
| W.1312 | 14-67-076 | 1 | . 1.1/2" dia Whit. Nut |
| W.1313 | 14-67-026 | 1 | . Distance Sleeve |
| W.1314 | 60-13-029 | 1 | . 6" dia. Flat Pulley |
| W.1214 | 60-13-030 | 1 | . Special Washer |
| W.1842 | 01-61-005 | 1 | . 1/2" UNF Nylok Nut (if BSF use Pt: 01-43-005) |
| W.1408 | 01-00-103 | 4 | . 3/8" dia. Flat Washer |
| W.1318 | 01-41-003 | 4 | . 3/8" UNF Aeronut |
| W.1823 | 09-01-121 | 1 | . Grease Nipple |
| W.1310 | 14-67-075 | 1 | . 30" dia. G.P. SAWBLADE |



McConnel Limited, Temeside Works, Ludlow, Shropshire SY8 1JL. England.
Telephone: 01584 873131. Facsimile: 01584 876463. www.mcconnel.com