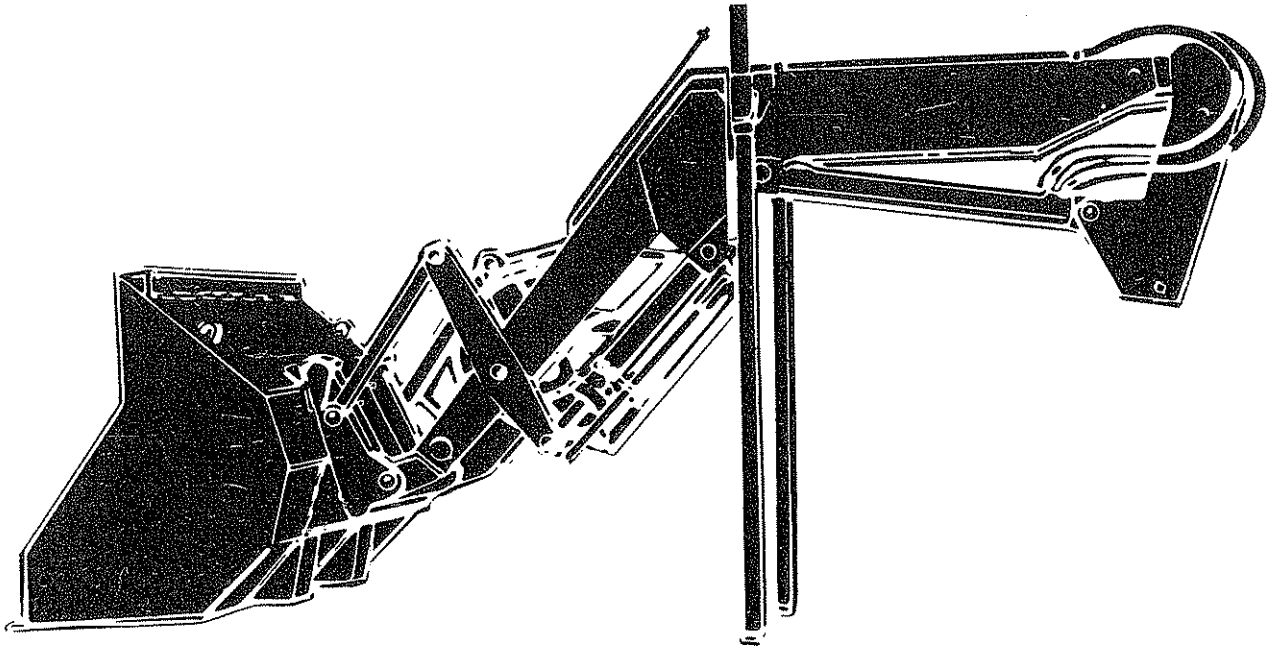


# FORELODA 070 E

## Operation & Spares manual



## LIST OF CONTENTS

<b>GENERAL INFORMATION</b>	<b>Page 1</b>
<b>SAFETY PRECAUTIONS</b>	<b>Page 2</b>
<b>FITTING</b>	<b>Page 4</b>
TRACTOR SELECTION	Page 4
TRACTOR PREPARATION	Page 4
Rear wheel ballast	
Tractor wheel widths	
Front-tyre selection	
LOADER SIDE FRAMES	Page 4
HYDRAULIC KIT	Page 5
ATTACHMENT TO TRACTOR	Page 6
<b>OPERATION</b>	<b>Page 7</b>
SAFETY	Page 7
OPERATIONAL CHECKS	Page 7
MACHINE CONTROLS	Page 7
THIRD SERVICE KIT	Page 7
IMPLEMENT COUPLING	Page 8
ADJUSTING JIB	Page 8
BUCKET POSITION INDICATOR	Page 8
OPERATIONAL TIPS	Page 9
General	Page 9
Filling the bucket	Page 9
Operating with boom float	Page 10
Carrying the load	Page 10
Dumping the bucket	Page 10
Backgrading	Page 10
Loading from large heaps	Page 11
Backfilling	Page 11
Peeling and scraping	Page 11
REMOVAL OF LOADER FROM TRACTOR	Page 12
RE-ATTACHMENT	Page 12
STORAGE	Page 12
<b>MAINTENANCE</b>	<b>Page 13</b>
LUBRICATION	Page 13
FASTENERS	Page 13
HYDRAULIC CONTROL VALVE	Page 13
Section renewal - adding 3rd service	Page 13
Renewal of spool 'O' rings	Page 14
Jib float detent assembly	Page 14
Main relief valve	Page 15
Anti Cavitation valve	Page 15
Check valve	Page 16
CABLES	Page 16
HYDRAULIC RAMS	Page 17
HYDRAULIC HOSES	Page 18
<b>SPARE PARTS</b>	<b>Page 19</b>
LOADER ARMS, CARRIAGE & PIPES	Page 20
LOADER ARMS, CARRIAGE & PIPES - Continued.	Page 22
CONTROL VALVE FITTINGS	Page 24
CONTROL VALVE	Page 26
CONTROL UNITS & CABLES	Page 28
LIFT RAM	Page 30
IMPLEMENT RAM	Page 32
IMPLEMENTS	Page 34

**FOR YOUR NOTES**

## GENERAL INFORMATION

Read this manual before fitting or operating the machine. Whenever any doubt exists contact your dealer or the McConnell Service Department for assistance.

Use only McConnell spare parts on McConnell equipment and machines. This manual includes an illustrated spare parts breakdown and the interpretation which precedes it should be read before ordering replacement components.

## DEFINITIONS

The following definitions apply throughout this manual :-

### WARNING

An operating procedure, technique etc., which can result in personal injury or loss of life if not observed carefully.

CAUTION: An operating procedure, technique etc., which can result in the damage of either machine or equipment if not observed carefully.

NOTE: An operating procedure, technique etc., which is considered essential to emphasize.

### Left and Right Hand

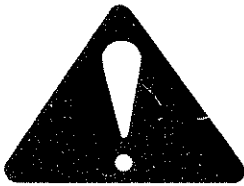
This term is applicable to the machine when fitted to the tractor and viewed from the rear. This also applies to tractor references.

Record the serial number of your machine on this page and always quote this number when ordering spares. Whenever information concerning the machine is requested remember to also state the type of tractor to which it is fitted.

MACHINE SERIAL NUMBER		INSTALLATION DATE:
MODEL DETAILS		
DEALER'S NAME		
DEALER'S TELEPHONE NUMBER		

## LIMITATIONS

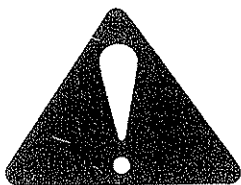
The McConnell Warranty specifically excludes any hydraulic pump and controls supplied with the machine if they are used to power equipment other than the McConnell machine for which they were supplied. Prior confirmation and warranty cover that the pump is suitable for any other purposes must be obtained from the hydraulic component manufacturers.



# **WARNING**

## SAFETY PRECAUTIONS

- ALWAYS ...
- ... Read both the loader and the tractor instruction book thoroughly before attempting to operate the loader.
  - ... Add recommended wheel ballast or rear weight to provide good stability.
  - ... Set the tractors wheels to the widest recommended setting to increase stability.
  - ... Operate the loader only from the operators seat.
  - ... Move and turn the tractor at low speeds.
  - ... Carry the loader arms at a low position during transport.
  - ... Exercise caution when operating the loader with a raised loaded bucket or fork.
  - ... Avoid deeply rutted or soft underwheel conditions for loader operation.
  - ... Take extreme care when working on inclines.
  - ... Familiarise your self with the position of any potential overhead obstruction i.e. electric cables.
  - ... Stop the loader arms gradually when lowering or lifting.
  - ... Take care when travelling on the highway.
  - ... Lower loader arms, stop engine and lock brakes before leaving the seat.
  - ... Make sure all parked loaders on stands are on a hard level surface.
  - ... Keep onlookers at a safe distance.
  - ... Replace operational or safety decals if they become lost or illegible.
  - ... Ensure that the locking pins are engaged in the implement carrier after changing an implement.
  - ... Ensure that an implement is fitted when removing the loader from the tractor
  - ... Check that stabiliser bars are properly adjusted or that check chains are tight if linkage mounted ballast is used.



## **WARNING**

### SAFETY PRECAUTIONS

- NEVER ... Permit inexperienced personnel to operate the machine without supervision.
- ... Lift or carry anybody on the loader or in the bucket or attachment.
- ... Never allow anyone to stand, walk, or work under a raised loader bucket or attachment unless it is securely blocked or otherwise supported in position.
- ... Grasp control levers when mounting the machine.
- ... Exceed the loaders maximum lift capacity.
- ... Handle the type of material that may roll back down the loader arms onto the operator e.g . logs, posts, tree trunks, bales, oil drums, etc .
- ... Lift the load higher than is necessary.
- ... Operate the loader on a tractor that is not equipped with a roll-over protection.
- ... Interfere with factory set hydraulic calibrations as they are carefully calculated and any increase could cause a breakage which may result in injury.
- ... Unless completely unavoidable make any checks or adjustments with the tractor engine running.

## FITTING

### TRACTOR SELECTION

To meet the requirements needed to operate the O65 and O65W loaders it is recommended that the tractor is in the 60 HP – 80 HP range.

### TRACTOR PREPARATION

#### Rear Wheel Ballast

The rear wheels of the tractor must be properly ballasted to give the best possible operating stability. This can be achieved by using any or a combination of the following methods depending on the type of work to be done and the terrain.

1. A rear mounted implement e.g. backhoe.
2. Linkage mounted ballast box – available from F. W. McConnel or weight carrying bar.
3. Rear wheel weights
4. Liquid ballasting of the rear wheels.

For maximum weights allowed and fitting procedures refer to the tractors handbook.

Do not add any weight to the front of the tractor.

#### Tractor Wheel Widths

Set out the tractor wheel widths to their maximum to increase stability.

#### Front Tyre Selection

Radial ply tyres are considered insufficiently robust for loader use. For the correct specification and operating pressures refer to the tractor handbook or a tyre specialist.

### LOADER SIDE FRAMES

Refer to the loose leaf instruction sheet and fit the loader side frames to the tractor. The sheet should be retained for subsequent ordering of any side frame spare parts.

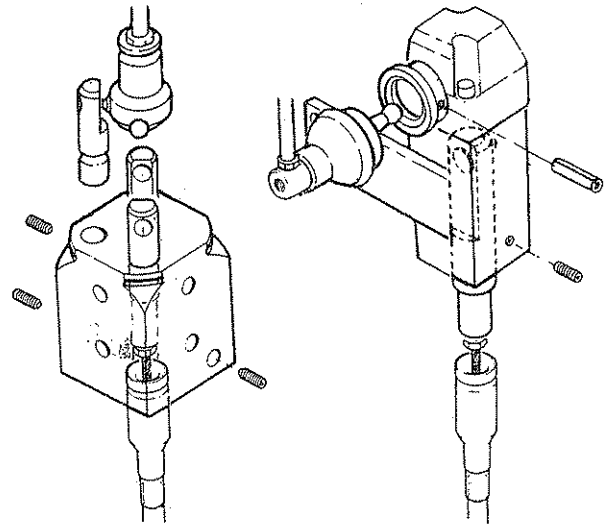
## HYDRAULIC KIT

The fitting of the hydraulic kit to the tractor is carried out in conjunction with instructions contained in the loose leaf specific hydraulic fittings which refer to a particular tractor. This loose leaf, which will give an overall idea of how the controls fit in the cab together with the approximate line to be taken by the cables should be retained for subsequent ordering of spare parts.

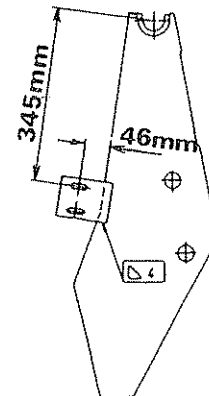
Refer to the loose leaf and connect the supply and return hoses to the tractor. This is often made easier if one or both rear wheels is removed.

Separate the valve from the control unit  
This is done at the the control unit end by loosening the M5 grub screw which retain the cable actuators and the rocker pivot. This will allow the rocker pivot to be withdrawn from the block and the operating spindles to be freed from their pivots thus enabling the cable ends complete with the spindles to be pulled down and out of the control block.

Similarly the cable and spindle has to be freed from the third service control block if supplied. Remove the lever pivot and withdraw the lever from the pivot box. Unscrew the grub screw, the cable and spindle can now be withdrawn.



The hydraulic valve is bolted to the bracket on the right hand side frame or alternatively to the loose bracket supplied, which first has to be welded into position on the side frame as shown. Ensure that when mounted the valve block does not interfere with any part of the tractor cab.



Mount the control unit in the cab in a convenient location ensuring that the lever rocker pivot is positioned at the rear right corner. Bear in mind the following restrictions and suggestions.

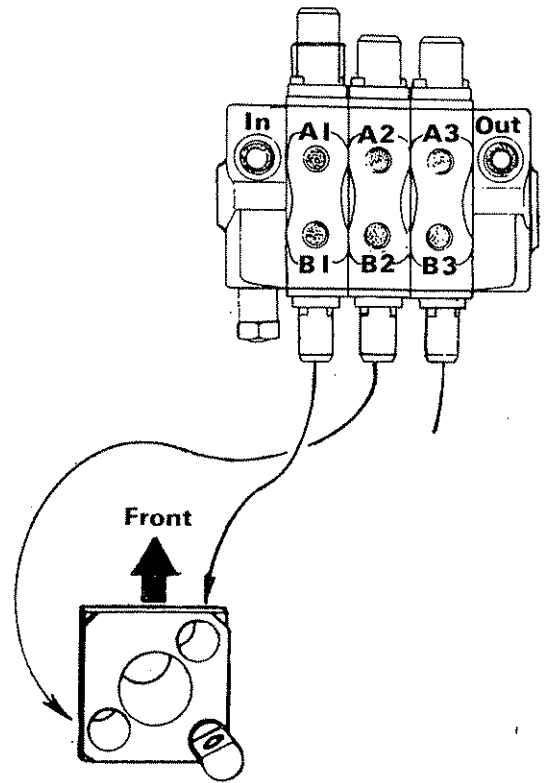
It is prohibited to drill holes for mounting the control unit or for access of cables in any structural member of the cab.  
When fitted the control handle must be capable of being operated without coming into contact with its surroundings or interfering in any way with the full operation of any other handles or controls.

When selecting the mounting position of the control unit consider that tight bends in the cable will reduce their operational life. The cable run should be as straight as possible with any bends having a minimum radius of 8"



The cable ends can be fed up through a convenient hole and re-assembled together with the control block and lever. It may be necessary to drill two 22 mm (7/8") dia holes to accommodate them, if this is so, you are reminded that it is not allowed to drill a structural member of the cab. When re-assembling the cables the one that is closest to the main relief valve is connected up through the hole in the front right corner of the control block.

Connect up the supply and return hoses to the control valve at the parts marked 'in' and 'out' respectively.



## ATTACHMENT TO TRACTOR

During initial fitting, it will be easier if the jib is lifted into position and secured with the use of overhead lifting tackle. Subsequently re-attachment is a simple drive in manoeuvre.

Connect up the lift and implement ram hoses to the valve in the following manner -

Lift base	- part B1
Lift gland	-port A1
Implement base	-port B2
Implement gland	-port A2

The hoses from the third service facility, if fitted, should be connected to ports A3 and B3 to suit the operators own 'sensing' preferences:

It is possible to couple the loader up directly to the tractor spool valve. Additional hoses and couplings will be required and the tractors hydraulic pressure must be regulated so as to not exceed 2500 psi (175 Bar)

Clean the ram rods

Start the tractor and operate the machine throughout its range of movements, checking that all hoses are not stretched, kinked, pinched or chafed. In addition, check that 'in cab' hoses or cables do not obstruct the movement of any pedals or levers.

Check the oil in the tractors hydraulic reservoir and top up if necessary from the recommended list in the tractors handbook.

## OPERATION

### SAFETY

Before commencing operation read this manual carefully paying particular attention to aspects relating to safety. THEY ARE THERE FOR YOUR OWN GOOD.

### OPERATIONAL CHECKS

On new machines check the tightness of all fasteners and hydraulic connections after the first two hours of work and periodically thereafter.

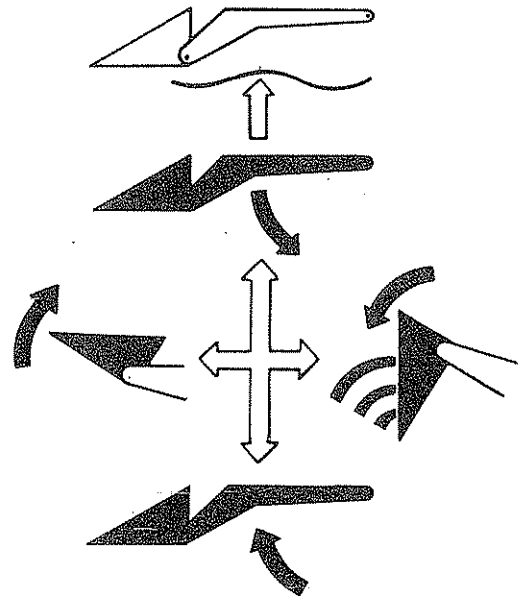
### MACHINE CONTROLS

The two main controls for the jib and the implement are operated by a single joystick control lever which operates on a + axis for single service selection or a X axis for dual service operation. Pushing the lever forward and to the right will lower the jib and discharge the implement respectively and vice-versa. Pushing the lever on through the normal selection point for 'jib lower' will engage it in the jib float detent. When float requirement is no longer required it will have to be manually de-selected.

A third service, available as an optional extra, is operated independently with a single lever.

Before commencing work select a clear unobstructed site and operate the machine without load until the controls and the 'feel' of the machine are familiar. This is a wise precaution for all operators and a must for the inexperienced.

Never try to force the levers beyond their normal limit of travel - this will not increase operating speed and might well damage the cables.



### THIRD SERVICE KIT - Optional extra

The machine can be converted to include a third service facility should the implement require one.

It is necessary to order a valve seal kit, Part No. 86 99 204 and the valve slice and control unit, the part no. of which is dependent upon the tractor fitted.

The existing valve has to be dismantled and the third slice added adjacent to the outlet section. When re-assembling, refer to the service instructions.

## IMPLEMENT COUPLING

To attach the implement, tilt the carrier frame forward some 10° to 15°, drive forward and position the frame under the hooks at the rear of the implement. Lift the implement clear of the ground and select 'crowd back' until the implement is resting solidly against the carriage. Locate the locking pins thus securing the implement in position.

To uncouple, the above procedure must be reversed.

### WARNING

Always check that locking pins are fully engaged before commencing work.

Always if possible leave the implement on level ground. This will make the task of re-connecting very much easier.

Caution. Equipment designed by other manufacturers could cause extensive damage to the loader. Never fit such equipment without first checking with F. W. McConnel that it is suitable.

## ADJUSTING JIB

The 070E can be operated with the extending jib in any of three positions.

To adjust:-

Position the implement such that it is just touching the ground

Remove the two pins securing each side of the jib.

Reverse the tractor, the jib will extend until it abuts against the spring cotter which provides the stop for the intermediate position. This spring cotter must be removed if full jib extension is required in which case the end of the guide rods form the location stops.

Insert the jib locking pins. If necessary, adjustment of hole alignment can be carried out by rotating the pin, the small offset extensions on the nose of the pin will act as a cam and cause the jib to slide in or out until the pin can be pushed fully home. If difficulty is encountered raise the implement just clear of the ground.

## BUCKET POSITION INDICATOR

To assist in operation a bucket position indicator is provided. Setting is carried out by positioning the bucket in the position the operator requires indicated and positioning the collar on the fixed rod level with the end of the sliding rod. More than one position can be indicated by painting further marks as required on the short rod.

## OPERATIONAL TIPS

### General

Familiarise yourself with the positions of any likely obstructions e.g. electric cables.

Keep onlookers at a safe distance.

Do not carry people on the loader or in a bucket.

Do not attempt to handle large unstable objects such as bales, logs, oil drums etc. with implements that are not made specifically for this purpose as there is a possibility they may roll back down the arms into the cab or onto the operator.

Choose an appropriate gear so that control of the operation does not rely on over revving the tractor engine or slipping the clutch.

Avoid uneven loading of the implement.

Be especially careful when operation with an implement that is wider than the tractor.

When travelling on the highway place the implement at the safest possible attitude taking into account stability, visibility and the potential danger to third parties.

When stopped place the implement on the ground and switch off the tractor engine

DRIVE SLOWLY - CARRY LOW - AVOID UNEVEN SURFACES

#### WARNING

To avoid the possibility of flashover in the vicinity of high voltage overhead power lines never work closer than 1.5 metres minimum. If in any doubt consult the local electricity board or a qualified electrician for advice on a safe plan of working.

### Filling the Bucket

Approach and enter the pile with a level bucket. This can be determined easily from the operators seat by the position of the bucket level indicator rod. It will be helpful, when bucket level is determined, to mark the rod with tape or paint for easier subsequent recognition.

For most effective filling, drive straight into the pile. For easier filling or if the pile is resistant, enter the spoil, loosen by raising the bucket about 6", lower the bucket and continue forward.

To break out spoil material, select 'lift' and 'bucket crowd' simultaneously - this decreases the resistance to bucket lift and minimises the breaking out effort required.

NOTE: Do not be concerned if the bucket is not completely filled during each pass. Time and maximum productivity are sacrificed by making two or more attempts to fill the bucket on each pass.

## Operating with boom float

During hard surface operations keep the bucket level and select the float position for lift control. This will permit the bucket to float freely on the working surface and prevent the excessive wear to the bucket lip taking place which occurs when hydraulic down pressure is applied.

The float will also prevent the mixing of surface material with stockpile material and reduce the chance of surface gouging when removing snow or other material.

## Carrying the Load

Do not exceed 3 mph when travelling with a loaded bucket. For average conditions position the bucket just below level of the tractor hood. This will give good visibility ahead and also just in front of the tractor tyres and is the ideal carrying position whether the bucket is loaded or empty.

When working on sloping, soft, rutted or uneven ground, stability becomes vitally important and the bucket should be carried as low as possible when either empty or full.

When using the loader on sloping ground, approach the work moving directly uphill, fill the bucket and then reverse slowly downhill. Avoid if possible moving across slopes even if it means the work takes considerably longer.

### WARNING

Operating a loader on hillsides is dangerous and is not recommended.

### WARNING

When operating on adverse underwheel conditions e.g. slopes or rutted uneven ground, carry the bucket as low as possible.

## Dumping the Bucket

On the final approach to the dump area, raise the boom to the minimum height required to clear any obstructions and complete the approach slowly. Select 'bucket open' and dump the load only when stationary. Crowd the bucket before reversing and lower the boom to carrying height as soon as possible.

## Lowering a Laden Bucket

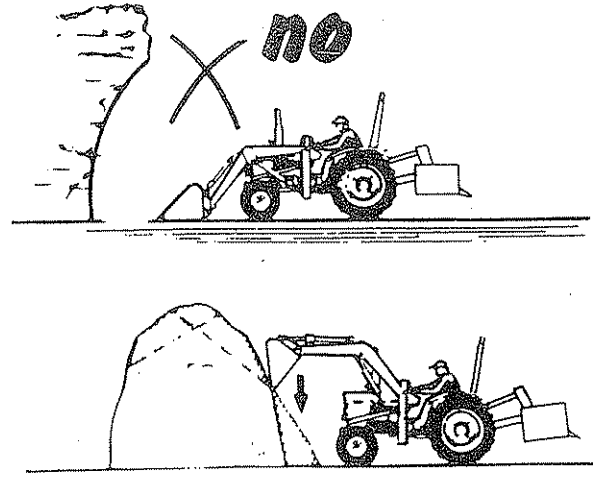
Always lower a heavy load slowly. Stopping a laden bucket suddenly after it has gained downward momentum may cause damage to the loader or even the tractor.

## Backgrading

In soft conditions or when working continuously in a confined area, the work surface can be kept free of ruts and holes by backgrading occasionally. This should be done with a full bucket in a slightly crowded position. The lift control should be held down to put the full weight of the bucket on the ground.

Loading from a bank or large heap.

Do not undercut a bank or large heap, dirt slides can be dangerous. First break down the pile by side cutting or use the bucket to pull down the top and sides until the heap is reduced to a manageable height.



Backfilling

Essentially a bulldozing operation. Approach the spoil with the bucket level.

Note - Do not place the bucket in the open position for this operation as it will impose severe shock loads on the loader and the tractor.

Operate at right angles to the work and take as large a bite of the spoil as the tractor can manage without stalling.

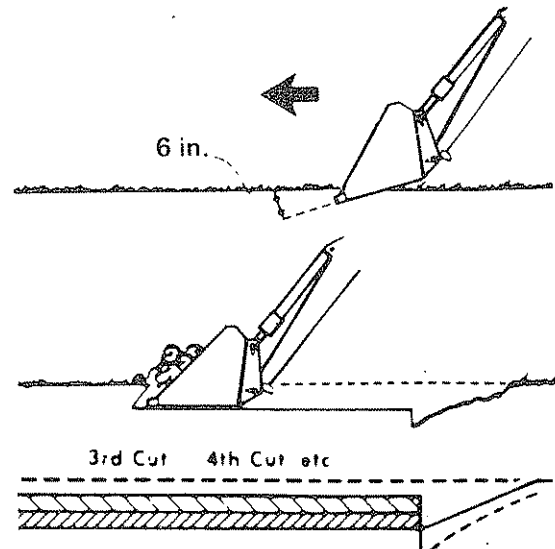
Leave any dirt which spills from the sides of the bucket for one final clear up.

Peeling and Scraping

Position the bucket with the lip angled slightly forward. Travel forward with lift down selected and make a short six to eight feet angled cut and break out cleanly.

With the bucket level start a cut at the breakout notch approximately two inches deep. Maintain depth by feathering the controls and take extra care when the tractors tyres enter the notch.

Make additional passes until the desired depth is reached.



## REMOVAL OF LOADER FROM TRACTOR

Choose a hard level site for removing the loader and always carry out the procedure with an implement fitted.

Lower the loader and position the implement such that the implement leading edge touches the ground whilst the rear end is about 8" (200mm) above ground.

Fix the parking legs in the lowest possible position.

Remove the lock pins from the bottom of each frame post.

Close the lift rams about 2" (50mm). This will cause the implement to become level with the ground and the loader pillar to lift away from the frame posts leaving it standing on the implement and its parking legs.

Stop the tractor engine and release pressure from the jib hydraulic lines by pushing the control lever into all positions.

Release the quick release self seal couplings and fit dust caps and plugs.

Start tractor and reverse away from the loader slowly.

## RE-ATTACHMENT OF LOADER

To re-attach the loader the procedure for the previous paragraph is reversed. The dust caps are colour coded to facilitate re-connecting the hoses.

## STORAGE

If the machine is to be left standing for an extended period of time lightly coat the exposed portions of the ram rods with grease. Subsequently this grease will become contaminated with dust and grit must be wiped off before the rams are next moved.

Grease the locking latch mechanism and any bright areas on the implement or loader.

Make sure that hydraulic dust caps and plugs are in place.

## MAINTENANCE

### LUBRICATION

Grease daily the following points :-

- Jib pivot
- Carriage pivot
- Lift ram base pivot
- Implement ram pivots
- Implement crank pivots

In addition, grease the carriage locking pin mechanism as required.

### FASTENERS

Taking into account the amount and type of work done, check periodically that all bolts and nuts are tight, pins are secure and hydraulic connections are not leaking.

### HYDRAULIC CONTROL VALVE

Of the slice type construction, the valvoil SD6 hydraulic control valve comprises two or three double acting sections, the lift section of which is equipped with an anti cavitation valve.

Servicing and overhaul of the valve is restricted to the renewal of 'O' rings and seals or to the replacement of complete units or sections.

On reassembly always replace components from where they came and use new 'O' rings and seals.

Before commencing, wash off the valve thoroughly and ensure that any bench work is carried out in as clean as possible an environment.

#### Section renewal or adding of third service

To carry out either of these operations, it is necessary to remove the complete valve assembly from the machine leaving the valve mounting plate in situ on the loader pillar. Mark each section to identify for correct re-assembly before releasing the tie rod nuts. Ensure all section faces are clean and 'O' rings are correctly positioned in their grooves and held in place by a light smear of grease.

The plugs located between the service ports which are check valve housings should not be disturbed. One of the assembly tie rods passes through them.

If adding a third service, for re-assembly, the third slice is placed adjacent to the 'Outlet' section.

Replace the three nuts of the tie rods finger tight and then place the valve assembly horizontally on a flat surface to align the sections before finally tightening the nuts evenly to a torque of 25 lbs/ft. Uneven or overtightening may distort the sections sufficiently to cause the spools to stick when at operating temperatures.

When re-mounting the valve onto its mounting plate, again do not overtighten as sticking spools may occur.

Routine maintenance of the valve as follows, can be carried out with the valve in situ.



## Renewal of Spool 'O' Rings

The spool 'O' rings, which are housed in grooves within the spool bore are easily damaged unless the following procedure is carried out.

Dismantle the cable end from the valve

Undo the retaining screws and remove the spring centering cap or the float detent assembly. For the implement or third service sections, the centering spring assembly should be unscrewed from the spool end.

Gently rotate and move the spool towards the cable end just sufficiently to expose the 'O' ring at the spring end. Remove the 'C' ring. Do not replace it at this stage.

Note : If the spool is moved too far, it can slice fragments off the 'O' ring at the lever end which, if undetected, can subsequently circulate within the valve block and cause further trouble.

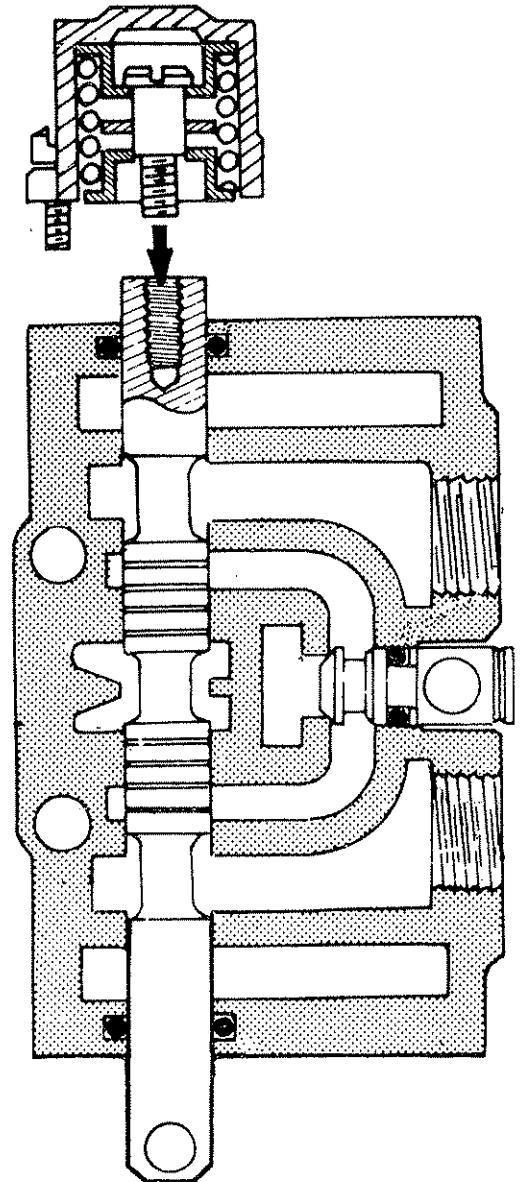
Move the spool down through the spring end to expose the 'C' ring within the bore at the lever end. Remove and renew this 'O' ring.

Simultaneously gently rotate and move the spool towards the cable end until the 'O' ring at the spring end is again exposed. Fit new 'O' ring and move the spool back to its central position.

For implement and third service sections, replace the centering spring assembly to spool end. Remove any traces of oil from the screw threads - assemble using "Loctite screw lock".

Refit the spring caps on the float detent assembly.

Refit the cable ends to the valve - for correct setting, refer to cable maintenance.



## Jib Float Detent Assembly

A malfunction is highly unlikely - however, should the control lever slip out of the 'float detent' position after selection check that the springs and detent balls situated under the hexagons on the side of the body are seated correctly and are free to move.

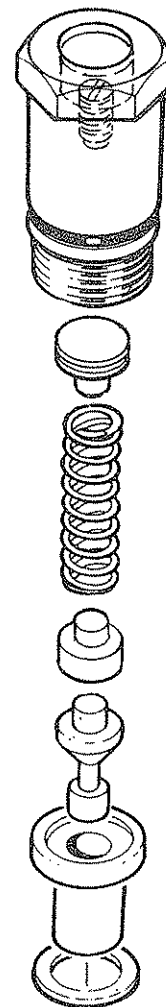
## Main Relief Valve

The main relief valve is pressure set at the factory and is non-adjustable.

Servicing is restricted to dismantling, cleaning and replacing the 'O' ring and this can be carried out without disturbing the pressure setting.

A sticking relief valve will probably cause overheating and/or loss of power. To gain access, undo the large hexagon housing – the relief valve components can now be withdrawn. If difficulty is experienced in extracting the seat, remove the blanking plug from the opposite end of the gallery and drive out with a soft brass drift. Take care not to damage the sealing washer positioned between the seat and the locating shoulder in the valve section.

Blow out the valve with compressed air and examine the components for damage. These components are specially hardened steel and should only display a seating witness – any further damage will require the complete valve to be replaced.

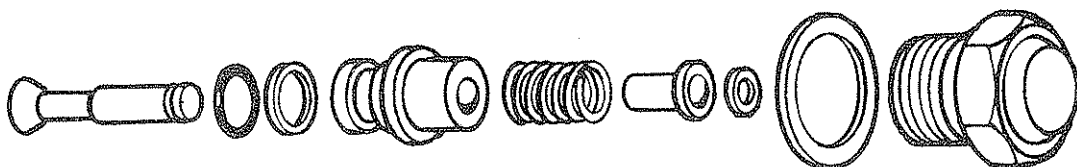


**Copper sealing washer**

**CAUTION:** Under no circumstances be tempted to add shims into the valve housing in a misguided attempt to increase the power of the machine. This could damage the tractor, the loader and may cause personal injury.

On replacing the valve, and plug, if removed always use new 'O' rings

## Anti-Cavitation Valve



Situated in the lower end of the 'lift' section, the anti-cavitation valve ensures that the lift ram is full of oil during all the stages of operation thus preventing any inadvertent drop of the loader jib. A sticking valve can be suspected should the jib make any sudden or unexpected movements. Undo the domed hexagon nut. The valve cartridge can now be extracted, dismantled and washed free of contaminant. Inspect the valve components for damage, if any is found a complete new valve assembly is required. On re-assembly, use new seals and check that the cartridge seat slides freely in its housing before re-positioning into its gallery in the control valve slice.



## Check Valves

A spring loaded check valve is located in each spool section between the service ports. This valve prevents the interaction of services and momentary load drop on selection.

Malfunctioning is most unlikely, but contaminant can prevent free movement or re-seating. To remove the check valve it will be necessary to dismantle the tie rod which passes through the valve body which can now be withdrawn revealing the spring and poppet. Wash free of contaminant and check for free movement of the poppet within its housing. Examine the poppet face for damage and renew if necessary. Re-assemble in the reverse order using a new 'O' ring and back up ring coated with a light smear of grease on the valve body. Finally tighten the tie rod nuts to 25 lbs/ft. Do not overtighten, which could cause binding the spools of the valve assembly.

## CABLES

The cables operate on a push/pull system with the spool centering spring always returning the spool to the neutral position when the handle is released. The exception to this is that 'float detent' has to be manually de-selected.

Care should be taken during installation and operation to ensure that the cables are not trapped or kinked.

Attaching cables to the valve and setting.

Unscrew the locknut and sleeve and slide up the cable to allow access to fix the cable clevis to the spool end.

Re-position the locknut and sleeve and screw lightly into position on the valve face. Do not fully tighten.

Rotate the sleeve until the joystick handle is upright and central and the third service handle is parallel to the control block. This allows an equal amount of travel in both positions.

Lock in position and fully tighten down the cable flange.

No routine adjustment of the cables are necessary as they do not stretch but any abrasion or damage to the outer casing should be sealed with plastic insulation tape to prevent moisture penetrating the cable.

**CAUTION :-** On no account should any attempt be made to lubricate the cables which are assembled with a special lubricant during manufacture.

## HYDRAULIC RAMS

### General Information

Whenever possible the ram should be removed from the machine and thoroughly cleaned off before dismantling on a clean work bench.

When using a bench vice, do not apply excessive pressure to the ram cylinder – use soft metal jaws when grasping the ram rod.

Remove scores and nicks on the ram rod by using a fine oil stone – do not use a file or emery cloth.

### To Dismantle

Unscrew the end cap from the cylinder. The rod, rod guide and piston complete with their seals can now be withdrawn.

Unscrew the piston locking nut and slide the ram components from the rod.

### Changing Seals

Lubricate all new seals thoroughly before re-assembly of the ram.

Gland seals:-

Ensure that seals are replaced in the same position and attitude from which they came.

Piston seals:-

Remove split members of the piston seal and then, using a soft lever which will not scratch the piston, lift the remaining seal components from the piston. Replace with new seals in the reverse order.

Do not forget the 'O' ring located in its groove on the piston rod.

Take care when sliding the 'O' ring over the locking threads.

### Re-Assembly

Re-assembly is the reverse procedure of dismantling. Take care when sliding the wiper and gland seal over the locking threads and shoulder of the piston rod.

## HYDRAULIC HOSES

The condition of all hoses should be carefully checked during routine service of the machine. Hoses that have been chafed or damaged on the outer casing should be securely wrapped with waterproof adhesive tape to stop the metal braid from rusting. Hoses that have suffered damage to the metal braid should be changed at the earliest opportunity.

### Hose replacement

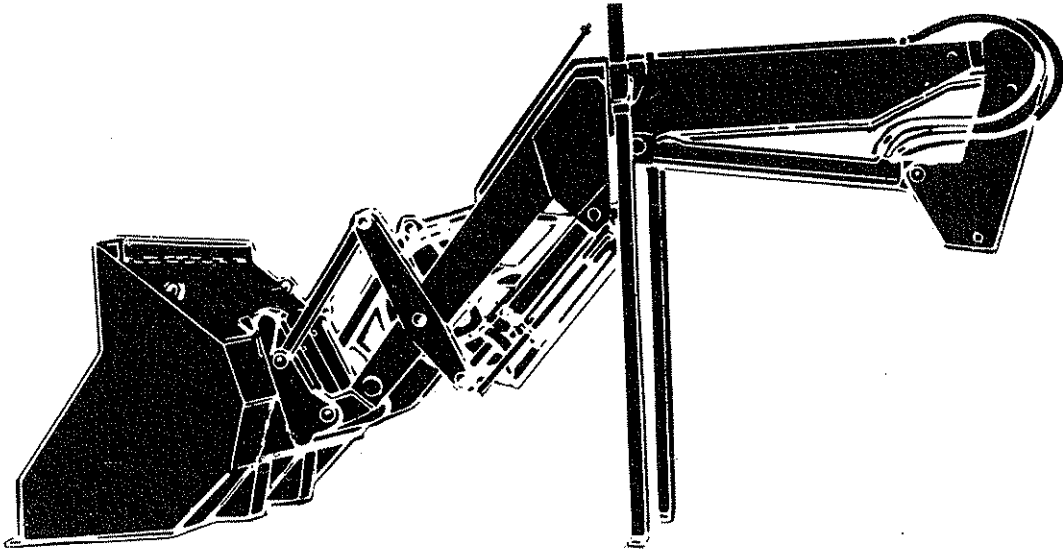
Replace one hose at a time to avoid the risk of wrong connections. When the hose is screwed to an additional fitting or union, use a second spanner on the union to avoid breaking both seals.

Do not use jointing compound on the threads.

Avoid twisting the hose. Adjust the hose line to ensure freedom from rubbing or trapping before tightening hose end connections.



# SPARE PARTS MANUAL



## **FOR BEST PERFORMANCE....**

### **USE ONLY McCONNEL SPARE PARTS**

To be assured of the latest design improvements purchase your genuine replacements from the original equipment manufacturer F.W. McConnell Ltd. through your local dealer or stockist.

Always quote machine type and serial number as well as the part number.

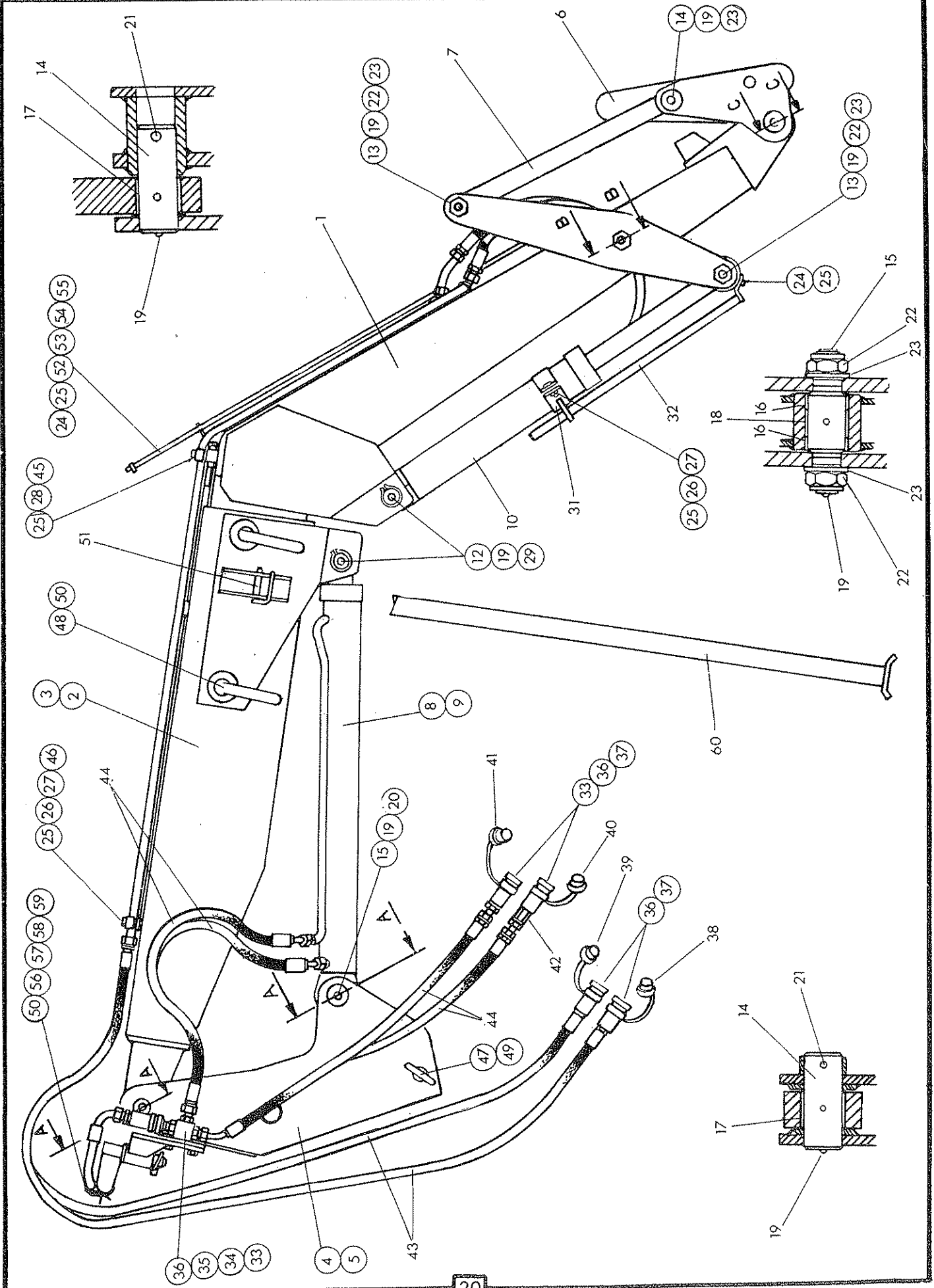
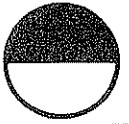
Design improvement may have altered some of the parts listed in this manual - The latest part will always be supplied when it is interchangeable with an earlier one.

Model.

LOADER - GENERAL

# McCOMEL

Registered office: Temeside Works,  
Ludlow, Shropshire SY8 1JL, England.  
Telephone: Ludlow (0584) 3131  
Telex: 35313



Model.

**McCONEL**Registered office: Temeside Works,  
Ludlow, Shropshire SY8 1JL, England.  
Telephone: Ludlow (0584) 3131  
Telex: 35313

Ref No.	Part No.	Qty.	Description
070E LOADER-General			
1	G240-0331	1	Jib
2	G240-0332	1	Jib housing R.H.
3	G240-0333	1	Jib housing L.H.
4	G240-0334	1	Loader Posr R.H.
5	G240-0335	1	Loader Post L.H.
6	G240-0336	1	Pick Up Frame
7	G240-0337	2	Link Arm
8	G241-0529	1	Lift Ram R.H.
9	G241-0530	1	Lift Ram L.H.
10	G241-0531	2	Implement Ram
11	G240-0340	4	Pin
12	G240-0341	4	Pin
13	G240-0342	6	Pin
14	G240-0343	4	Pin
15	G240-0344	2	Bush- Ø 40/44x40mm
16	G240-0272	4	Bush-Ø 40/44x20mm
17	G240-0345	2	Bush-Ø 40/44x40mm
18	G240-0346	2	Spacer Ring
19	09-01-121	18	Grease Nipple
20	04-25-850	4	Roll Pin-Ø 8x50 mm
21	04-25-860	4	Roll Pin-Ø 8x60 mm
22	01-42-009	12	Nut-1" Self Locking
23	01-00-109	12	Washer-Ø 1"
24	03-12-063	5	Setscrew- 3/8"UNC x ¾"
25	01-00-103	4	Washer-Ø 3/8"
26	03-12-123	6	Setscrew- 3/8"UNC x 1½"
27	01-42-003	6	Nut-3/8"UNC Self Locking
28	03-12-103	3	Setscrew- 3/8"UNC x 1¼"
29	G241-0532	8	Circlip
30	G240-0327	2	Clamp
31	G240-0347	2	Cradle
32	G240-0348	2	Stoneguard
33	G241-0452	6	Adaptor
34	G241-0457	8	Adaptor
35	G241-0540	2	Coupling Block
36	G241-0331	18	Seal
37	G241-0275	6	Quick Coupling
38	G241-0279	1	Dust Cap (Green)
39	G241-0278	1	Dust Cap (Red)
40	G241-0276	2	Dust Cap (Yellow)
41	G241-0277	2	Dust Cap(Blue)
42	G241-0274	1	Restrictor- Ø 4mm
43	G241-0541	2	Hose
44	G241-0542	6	Hose
45	G241-0270	1	Pipe Clip
46	G241-0545	1	Pipe Clip
47	G240-0277	2	Handle Pin
48	G240-0349	4	Pin
49	04-31-411	2	Linch Pin
50	04-31-406	6	Linch Pin
51	G240-0350	2	Pin
52	G240-0358	1	Level Indicator
53	G240-0359	1	Stop Ring
54	G240-0360	1	Indicator Rod
55	91-13-005	1	Nut-M10
56	G240-0361	1	Top Cross Member
57	G240-0362	2	Mounting Block
58	03-12-105	4	Setscrew-½"UNC x 1¼"
59	01-00-105	4	Washer-½" dia
60	G240-0363	2	Parking Leg

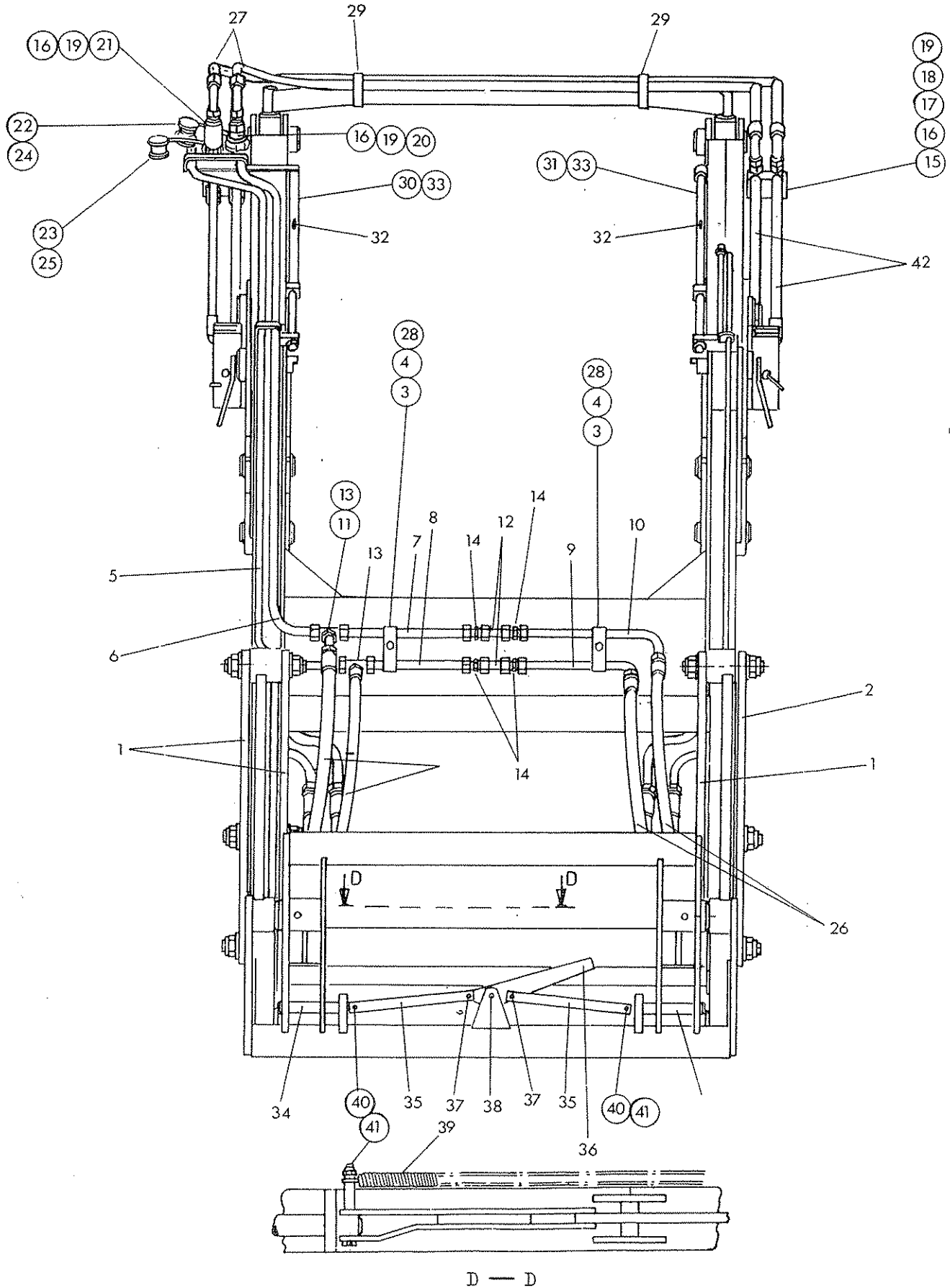
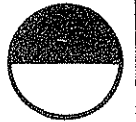


Model.

**LOADER - GENERAL -**  
Continued.

**McCONEL**

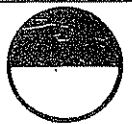
Registered office: Temeside Works,  
Ludlow, Shropshire SY8 1JL, England.  
Telephone: Ludlow (0584) 3131  
Telex: 35313



Model.

# McCONEL

Registered office: Temeside Works,  
Ludlow, Shropshire SY8 1JL, England.  
Telephone: Ludlow (0584) 3131  
Telex: 35313



Ref.	Part No.	Qty.	Description
070E LOADER-General-Continued			
1	G240-0338	3	Link Arm
2	G240-0339	1	Link Arm
3	01-00-103	4	Washer - Ø 3/8"
4	03-12-123	6	Setscrew - 3/8" UNC x 1½"
5	G241-0533	2	Pipe
6	G241-0534	1	Pipe
7	G241-0535	1	Pipe
8	G241-0536	1	Pipe
9	G241-0537	1	Pipe
10	G241-0538	1	Pipe
11	G241-0539	1	Pipe
12	G241-0328	2	Pipe
13	G241-0327	2	Tee Piece
14	G241-0346	4	Adaptor
15	G241-0452	6	Adaptor
16	G241-0457	8	Adaptor
17	G241-0268	2	Plug
18	G241-0540	2	Coupling Block
19	G241-0331	18	Seal
20	G241-0453	2	Quick Coupling-Male
21	G241-0275	6	Quick Coupling
22	G241-0276	2	Dust Cap (Yellow)
23	G241-0277	2	Dust Cap (Blue)
24	G241-0341	2	Dust Cap (Yellow)
25	G241-0454	2	Dust Cap (Blue)
26	G241-0543	4	Hose - H.P.
27	G241-0544	2	Hose - H.P.
28	G381-0705	2	Pipe Clip
29	G240-0309	2	Strap
30	G240-0351	1	Extension Guide- R.H.
31	G240-0352	1	Extension Guide- L.H.
32	G240-0353	2	Pin - Ø 5
33	01-11-006	4	Nut- 5/8" UNC
34	G240-0354	2	Pin
35	G240-0355	2	Link
36	G240-0356	1	Handle
37	04-25-824	2	Roll Pin - Ø 8 x 24 mm
38	04-28-150	1	Roll Pin - Ø 10 x 50 mm
39	G240-0357	1	Spring
40	02-12-202	2	Bolt - 5/16" UNC x 2½"
41	01-42-002	2	Nut - 5/16" UNC Self Locking

OPTIONAL EXTRA

11-87-347			THIRD SERVICE PIPE KIT
G381-2891	1		Pipe-inner
G381-2892	1		Pipe-outer
85-13-054	2		Hose ½ BSP x 65" LG.
86-50-104	2		Bonded seal
85-90-084	2		Female Q.R coupling
G381-2366	4		M18-½ BSP adaptor
G381-2889	2		Pipe clip
G381-2890	1		Pipe clip-hose end
80-02-102	2		Dust plug
01-00-103	3		Plain washer - Ø 3/8"
03-12-143	2		3/8" UNC x 1½" setscrew
02-12-163	1		3/8" UNC x 2" bolt
85-81-110	2		½" BSP M-M adaptor
85-81-215	2		½" BSP elbow

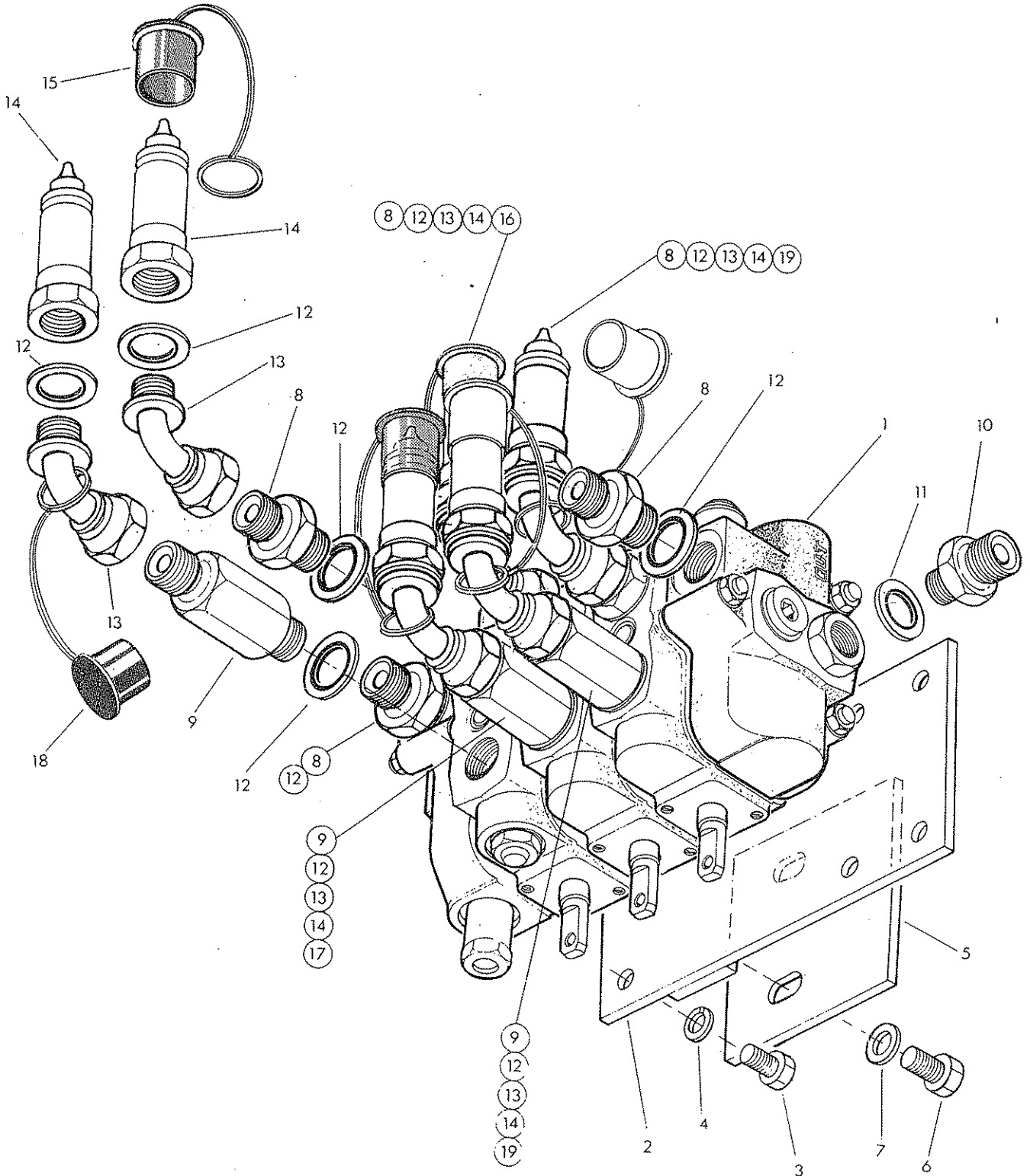
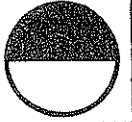
Not  
illus.

Model.

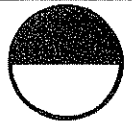
**CONTROL VALVE AND FITTINGS**

**McCOMEL**

Registered office: Temeside Works,  
Ludlow, Shropshire SY8 1JL, England.  
Telephone: Ludlow (0584) 3131  
Telex: 35313



Model.

**McCORMEL**Registered office: Temeside Works,  
Ludlow, Shropshire SY8 1JL, England.  
Telephone: Ludlow (0584) 3131  
Telex: 35313

REF	PART NO.	QTY	QTY	DESCRIPTION
		2bk	3bk	
CONTROL VALVE C/W FITTINGS				
1				Control valve basic - see page 26
2	G381-2550	1	1	Valve mounting plate
3	93-13-034	4	4	Setscrew M8 x 16
4	91-00-204	4	4	Spring washer $\varnothing$ 8
*5	G381-2342	1	1	Loader pillar mounting plate
6	93-13-035	2	2	Setscrew M10 x 16
7	91-00-105	2	2	Plain washer $\varnothing$ 10
8	85-81-110	4	5	Union $\frac{1}{2}$ " BSP M.M
9	85-81-234	2	3	Extended union $\frac{1}{2}$ " BSP M-M
10	60-00-112	1	1	Union $\frac{3}{8}$ BSP $\frac{1}{2}$ " BSP MM )pressure
11	86-50-103	1	1	Bonded seal $\frac{3}{8}$ BSP )carry over if fitted.
12	86-50-104	10	14	Bonded seal $\frac{1}{2}$ " BSP
13	85-81-215	4	6	Swept elbow $\frac{1}{2}$ " BSP MF
14	85-90-074	4	6	Self Seal coupling - Male half
15	G241-0454	1	1	Dust cap - Blue
16	G241-0455	1	1	Dust cap - Green
17	G241-0456	1	1	Dust cap - Red
18	G241-0431	1	1	Dust cap - Yellow
19	80-02-108		2	Dust cap - Pale Blue - third service

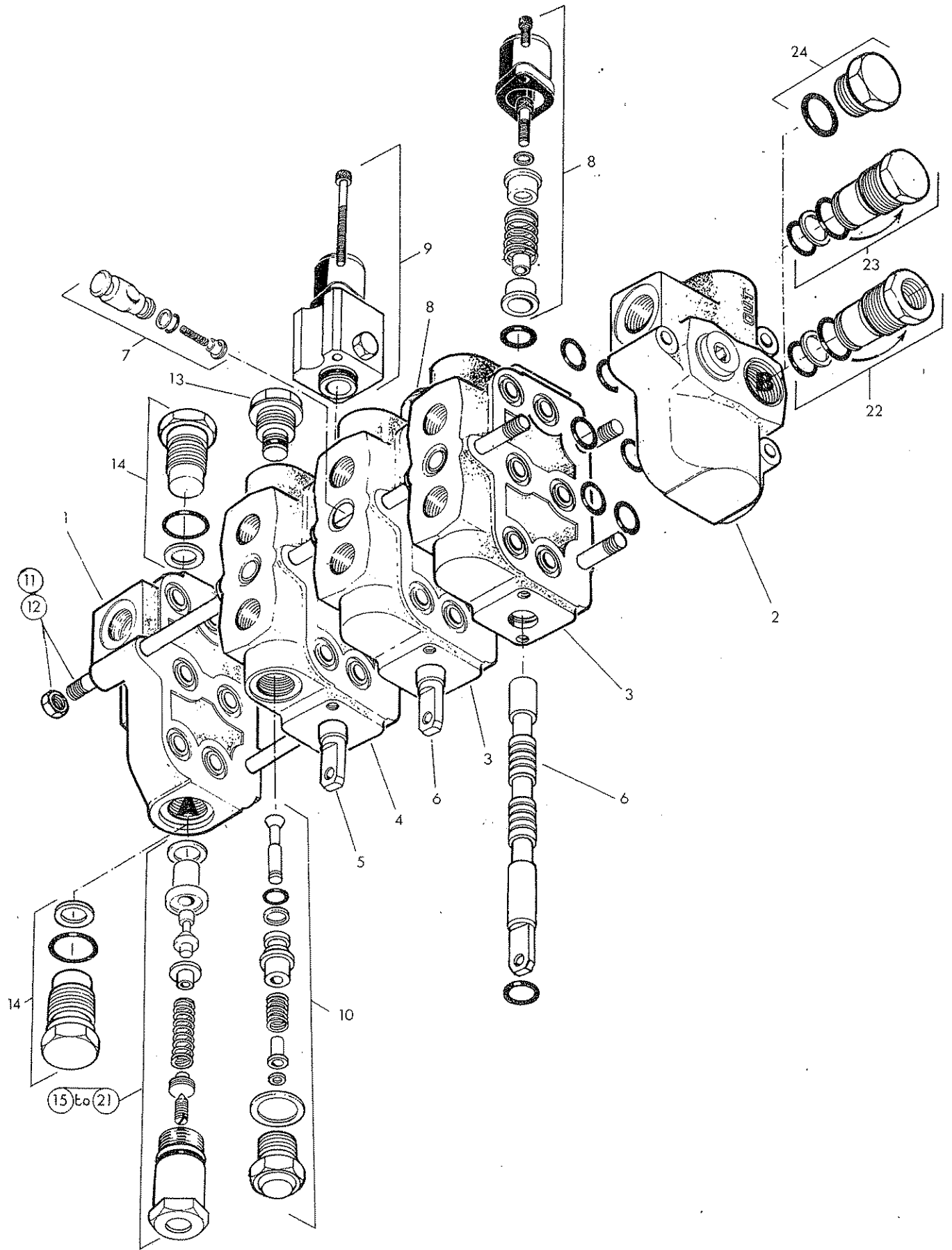
\* Assembly note - Supplied with all machines but may be discarded where loader pillar has weld on mounting plate.

Model.

CONTROL VALVE - Basic

# MCCONEL

Registered office: Temeside Works,  
Ludlow, Shropshire SY8 1JL, England.  
Telephone: Ludlow (0584) 3131  
Telex: 35313





REF	PART NO.	QTY	QTY	DESCRIPTION
		2bk	3bk	
HYDRAULIC CONTROL VALVE - BASIC				
1	81-28-024	1	1	Inlet Section
2	81-28-042	1	1	Outlet Section
3	81-28-061	1	2	Valve block - implement & 3rd service
4	81-28-059	1	1	Valve block - Lift
5	81-28-060	1	1	Valve spool - Lift
6	81-28-062	1	2	Valve spool - implement & 3rd service
7	81-28-023	2	3	Check valve
8	81-30-134	1	2	Spring centring Kit
9	81-30-084	1	1	Float detent Kit
10	81-28-053	1	1	Anti cavitation valve
11	81-28-056	1		Tie bolt kit 2 bank
12	81-28-057		1	Tie bolt kit 3 bank.
13	81-28-051	1	1	Outlet blanking plug c/w seals
14	81-30-056	1	1	Blanking plug and sealing washer

## Variables at Position 'A'

15	G381-2537	1	1	Relief Valve assembly 2000 psi (140 Bar)
16	G381-2538	1	1	Relief Valve assembly 2150 psi (150 Bar)
17	G381-2539	1	1	Relief valve assembly 2300 psi (160 Bar)
18	G381-2540	1	1	Relief valve assembly 2450 psi (170 Bar)
19	G381-2541	1	1	Relief valve assembly 2600 psi (180 Bar)
20	G381-2542	1	1	Relief valve assembly 2750 psi (190 Bar)
21	81-30-056	1	1	Relief valve blanking plug and seal

## Variables at Position 'B'

22	G381-2529	1	1	Pressure carry over adaptor c/w seals
23	G381-2531	1	1	'Closed' centre blanking plug c/w seals
24	G381-2530	1	1	Open centre blanking plug c/w seals

86-99-204

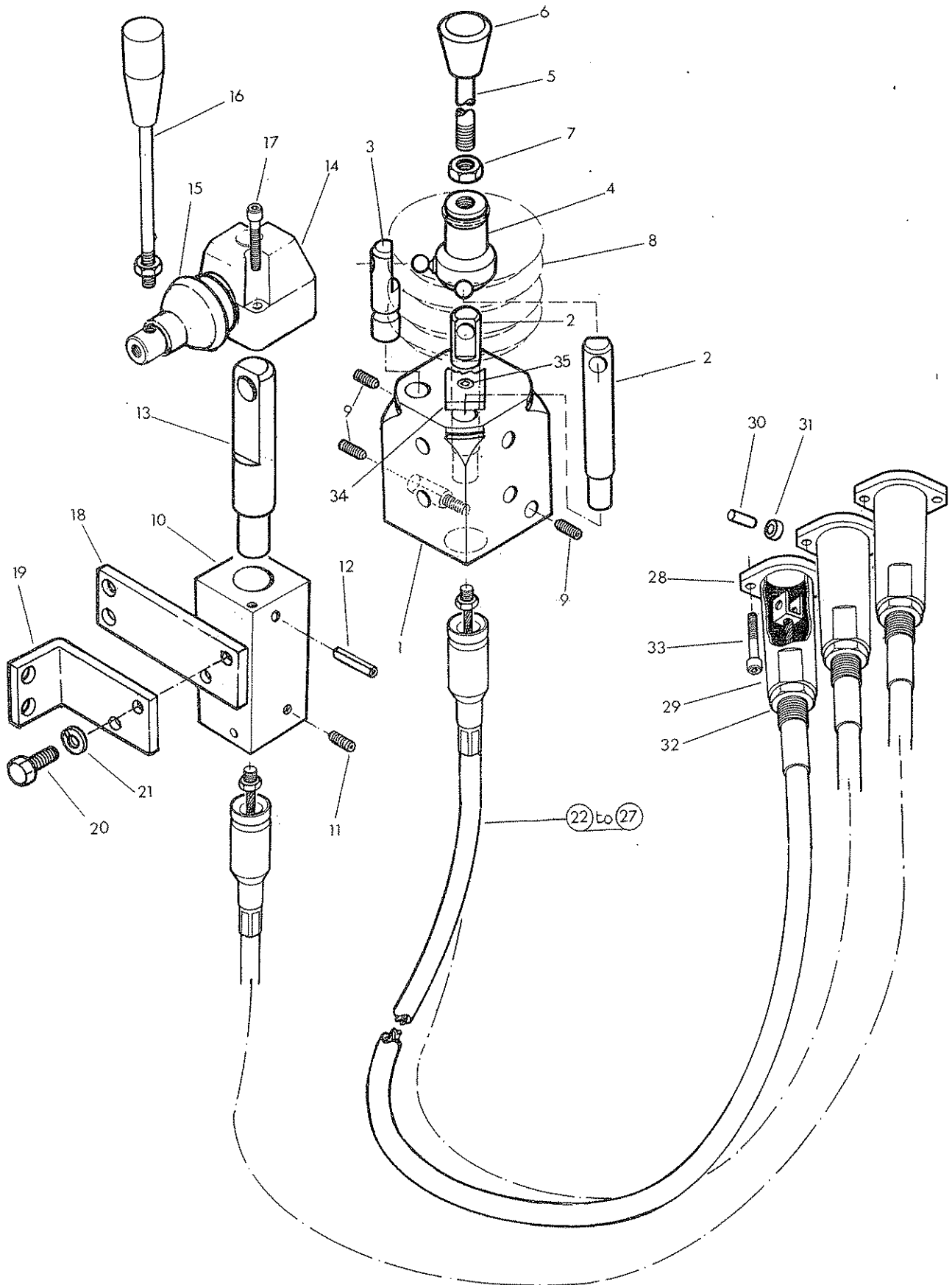
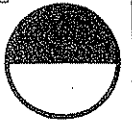
VALVE SEAL KIT

Model.

**CONTROL UNITS AND  
CABLES**

**McCOMEL**

Registered office: Temeside Works,  
Ludlow, Shropshire SY8 1JL, England.  
Telephone: Ludlow (0584) 3131  
Telex: 35313





REF	PART NO.	QTY	DESCRIPTION
CONTROL UNITS AND CABLES			
	G381-2523		CONTROL UNIT - Lift and implement
1	G241-0620	1	Control block
2	81 30 053	2	Spindle
3	G241-0624	1	Rocker Pivot
4	G241-0621	1	Lever
5	G241-0626	1	Handle
6	G381-2514	1	Knob
7	91-33-005	1	Locknut N110
8	G381-2524	1	Weather gaiter
9	G101-0137	3	Grubscrew M5 x 12
	G381-2519		CONTROL UNIT - Third Service
10	G241-0625	1	Control block
11	G101-0137	1	Grubscrew M5 x 12
12	04-25-540	1	Spring dowel $\varnothing$ 5 x 40
13	81-30-053	1	Spindle
14	81-30-107	1	Lever pivot box c/w gaiter
15	81-30-106	1	Weather gaiter
16	G381-2511	1	Handle c/w knob and locknut
17	92-43-082	2	Capscrew M5 x 40
18	G381-2547	1	Mounting Bracket
19	G381-2642	1	Mounting Bracket
20	93-13-044	2	Setscrew M8 x 20
21	91-00-204	2	Spring Washer $\varnothing$ 8

☑ Installation note

These items are alternatives to suit different mounting installations.

CABLES

22	G241-0632		Cable assembly 2.75 M c/w flange etc
23	G241-0630		Cable assembly 2.5M c/w flange etc.
* 24	G241-0631		Cable assembly 2.25 M c/w flange etc.
25	80-17-003		Cable assembly 2.0 M c/w flange etc.
26	G241-0628		Cable assembly 1.75 M c/w flange etc.
27	G241-0627		Cable assembly 1.5 M c/w flange etc.

Items 28 to 32 inclusive are common to all 'Bowden cable assemblies

28	81-25-050	1	Flange
29	71-15-162	1	Sleeve
30	71-15-160	1	Pin
31	71-15-158	1	Spacer
32	01-31-006	1	Thin locknut 5/8 UNF
33	93-43-032	2	Socket headed capscrew M5 x 16

\* Spares Note

An alternative cable assembly may be fitted depending on supply availability. The complete assembly is interchangeable and thus retains the same part number. Individual cable components are not interchangeable, thus before ordering spares the cable must be correctly identified.

The cable listed above is manufactured by 'BOWDEN' and in BLACK.

The alternative cable manufactured by "TELEFLEX MORSE" is RED and consists of -

28	81-25-050	1	Flange
29	81-25-049	1	Sleeve
30	80-17-005	1	Pin
31	80-17-004	1	Spacer
32	91-00-016	1	Thin locknut M16 x 1.5 pitch.
34	G381-2855	1	Guide plate
35	93 53 022	1	C/sunk s/screw M5 x 12

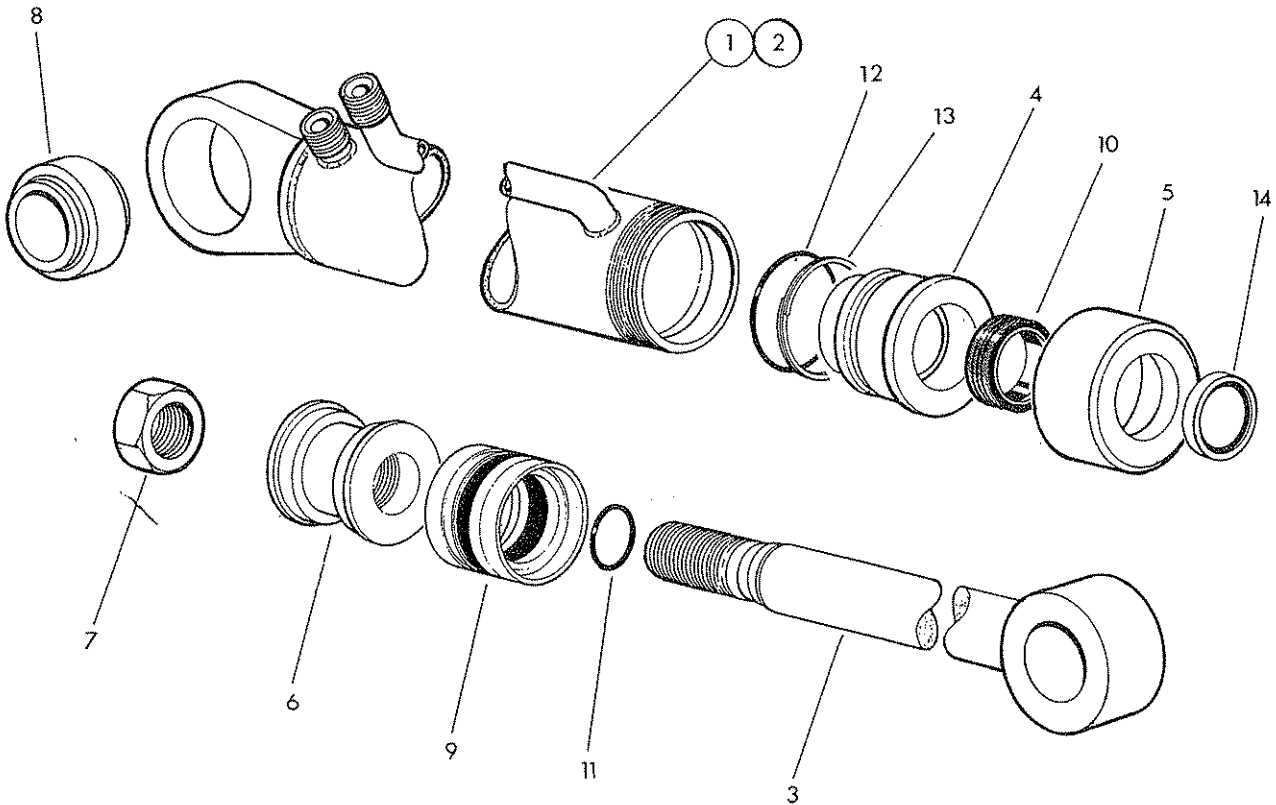


Model.

LIFT RAM

**McCONEL**

Registered office: Temeside Works,  
Ludlow, Shropshire SY8 1JL, England.  
Telephone: Ludlow (0584) 3131  
Telex: 35313



Ref.	Part No.	Qty.	Description
1	G241-0529 G241-0546		LIFT RAM ASSEMBLY-R HAND Ram barrel-right hand
2	G241-0530 G241-0547		LIFT RAM ASSEMBLY-L HAND Ram barrel-left hand

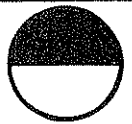
The remaining items are common to both lift ram assemblies

3	G241-0548	1	Ram Rod
4	G241-0549	1	Guide
5	G241-0550	1	End Cap
6	G241-0551	1	Seal Carrier
7	01-41-009	1	Nut-1"UNF Self Locking
8	G240-0271	1	Bush
9	G241-0552	1	D/A Seal
10	G241-0306	1	S/A Seal
11	G241-0359	1	'O' Ring- $\varnothing$ 22.2 x 3mm
12	G241-0553	1	'O' Ring- $\varnothing$ 59.2 x 5.7mm
13	G241-0554	1	Ring
14	G241-0285	1	Wiper Seal
	G241-0555		SEAL KIT

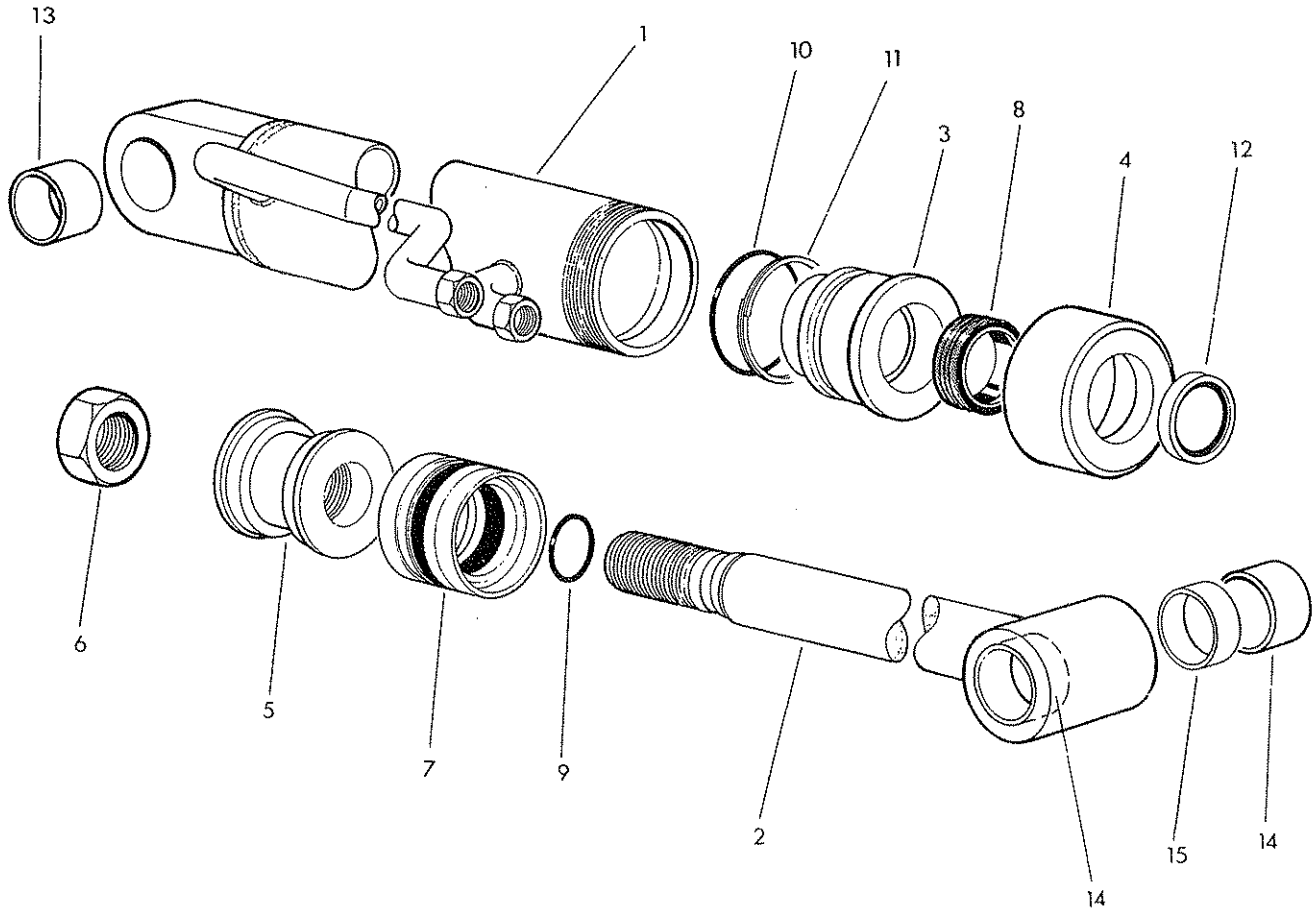
Model.

**McCONEL**

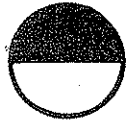
Registered office: Temeside Works,  
Ludlow, Shropshire SY8 1JL, England.  
Telephone: Ludlow (0584) 3131  
Telex: 35313



**IMPLEMENT RAM**



Ref.	Part No.	Qty.	Description
	G241-0531		IMPLEMENT RAM ASSEMBLY
1	G241-0556	1	Barrel
2	G241-0557	1	Ram Rod
3	G241-0549	1	Guide
4	G241-0550	1	End Cap
5	G241-0551	1	Seal Carrier
6	01-41-009	1	Nut-1" Self Locking
7	G241-0552	1	D/A Seal
8	G241-0306	1	S/A Seal
9	G241-0359	1	'O' Ring-Ø 22.2 x 3mm
10	G241-0553	1	'O' Ring-Ø 59.2 x 5.7mm
11	G241-0554	1	Ring
12	G241-0285	1	Wiper Seal
13	G240-0344	1	Bush-Ø 40/44 x 40mm
14	G240-0272	2	Bush-Ø 40/44 x 20mm
15	G240-0346	1	Spacer
	G241-0555		SEAL KIT

**Model.****BUCKETS - General****McCONEL**Registered office: Temeside Works,  
Ludlow, Shropshire SY8 1JL, England.  
Telephone: Ludlow (0584) 3131  
Telex: 35313

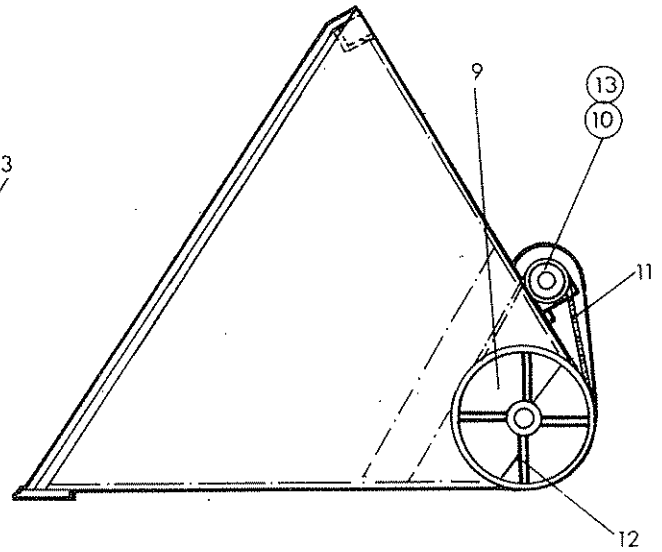
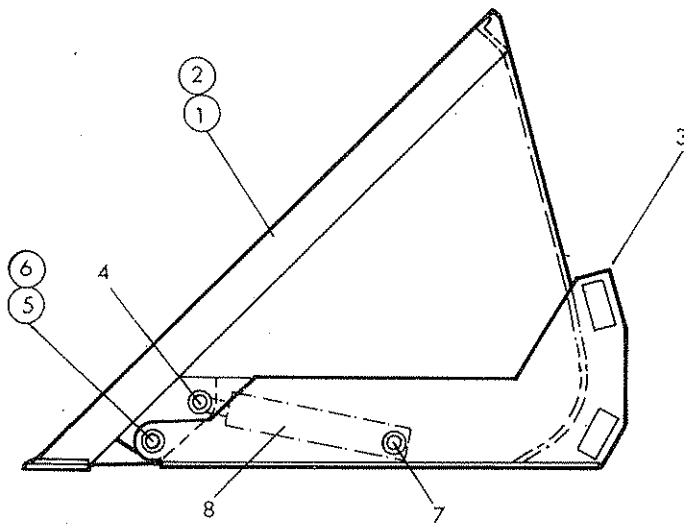
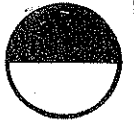
Part No.	Qty	Description
11 87 258		38" DIGGING BUCKET
G381 0665	1	Weld on cutting edge L. Hand
G381 0666	1	Weld on cutting edge R. Hand
11 87 259		48" DIGGING BUCKET
G381 0246	1	Weld on cutting edge
11 87 322		48" DIGGING BUCKET with TEETH
10 11 11	6	Tooth
G101 0114	12	Plough bolt 3/8 BSW
01 44 003	12	Self locking nut 3/8 BSW
11 87 260		58" DIGGING BUCKET
G381 0206	2	Weld on cutting edge
11 87 308		58" DIGGING BUCKET with TEETH
10 11 11	8	Tooth
G101 0114	16	Plough bolt 3/8 BSW
01 44 003	16	Self Locking nut 3/8 BSW
11 87 253		65" BEET BUCKET
347 11	3	Skid Pads
93 13 056	6	Setscrew M12 x 25
91 00 206	6	Spring washer Ø 12
347 3 1	20	Weld on tine points
11 87 277		71" CONTRACTORS BUCKET
G381 0691	1	Cutting Blade
G101 0117	12	Ploughbolt 5/8 UNC x 1 7/8 long
01 42 006	12	Self locking nut 5/8 UNC
11 87 302		71" LIGHT MATERIALS BUCKET
G381 0762	2	Weld on blade
11 87 330		75" SLURRY BUCKET
G381 2823	1	Weld on blade
11 87 331		75" POTATO BUCKET
G381 2823	1	Weld on blade
11 87 261		79" BULK MATERIALS BUCKET
G381 0611	1	Weld on blade
11 87 328	1	80" SALT BUCKET
G381 2824	1	Weld on blade
11 87 254		80" BEET BUCKET
347 11	3	Skid Pads
93 13 056	6	Setscrew M12 x 25
91 00 206	6	Spring washer Ø 12
347 3 1	22	Weld on tine points

Model.

**BUCKETS - Specialised**

**McCONEL**

Registered office: Temeside Works,  
Ludlow, Shropshire SY8 1JL, England.  
Telephone: Ludlow (0584) 3131  
Telex: 35313



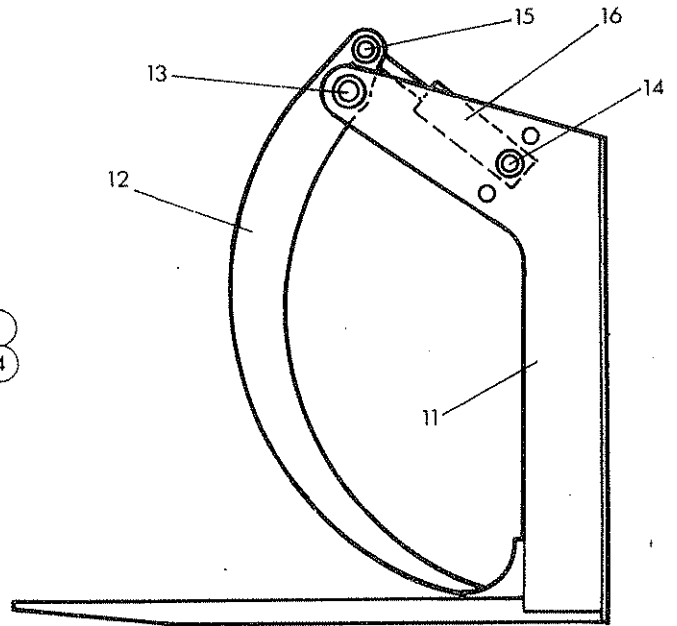
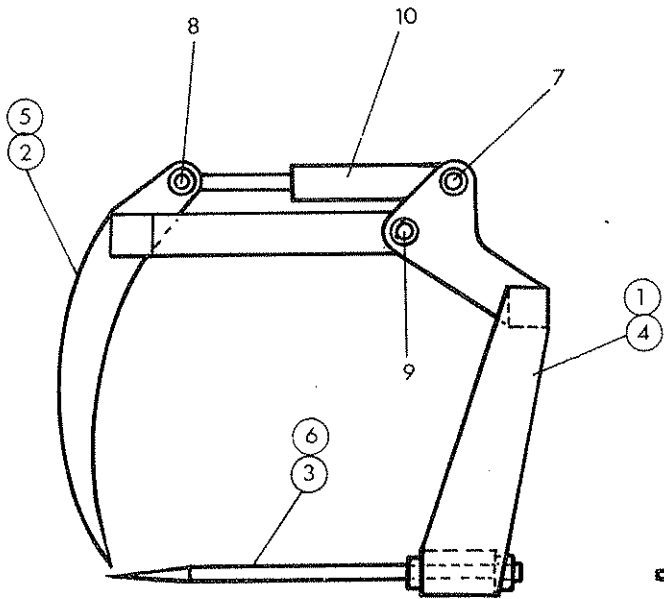
Ref	Part No.	Qty.	Description
1	11 87 332 11 87 334	1	72" HI TIP BULK BUCKET Bucket Shell
2	11 87 333 11 87 335	1	72" HI TIP BEET BUCKET Bucket Shell
Items 3-8 inclusive are common to both Hi - Tip buckets.			
3	G381 2825	1	Cradle frame
4	G381 2827	2	Pivot pin - ramrod
5	G381 2828	2	Pivot pin - bucket
6	G381 2830	2	Bush - bucket pivot
7	G381 2829	2	Pivot pin - ram base
8	G381 2826	2	Ram
	G381 2844		RAM SEAL KIT
	11 87 336		AUGER FEED BUCKET
9	G381 2831	1	Auger
10	G381 2832	1	Hydraulic Motor
11	G381 2833	1	Chain
12	G381 2834	1	Cutter
13	G381 2835	1	Upper sprocket
14	G381 2836	1	Lower Sprocket - not illustrated
	G381 2854		HYDRAULIC MOTOR SEAL KIT
	380 154 136		5/8 CU YD DOUBLE 4 MULTI PURPOSE BUCKET See separate booklet for spares

Model.

GRABS

**McCOMEL**

Registered office: Temeside Works,  
Ludlow, Shropshire SY8 1JL, England.  
Telephone: Ludlow (0584) 3131  
Telex: 35313



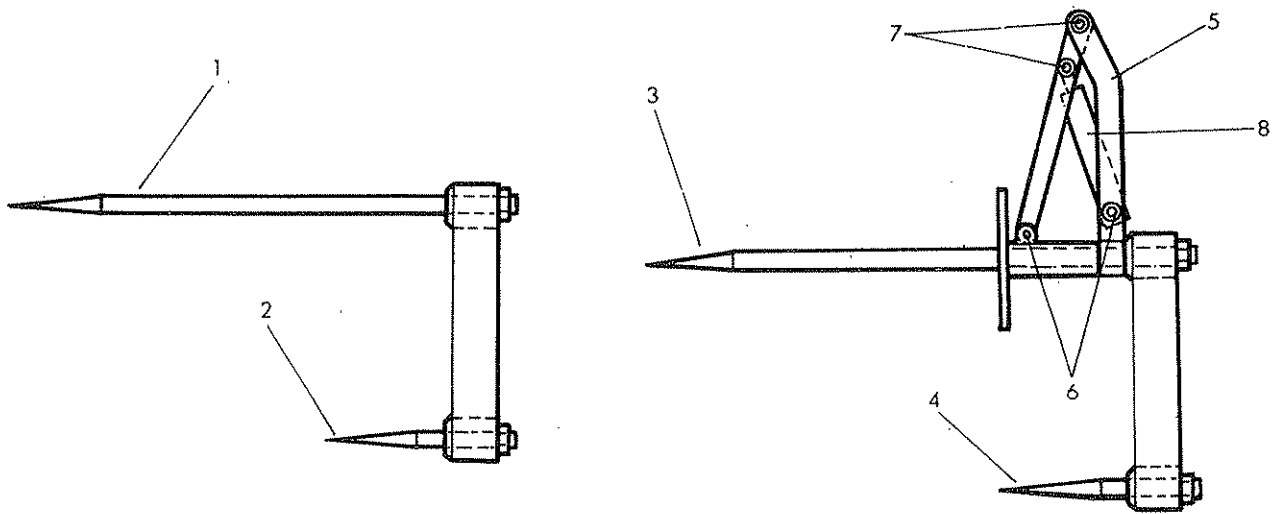
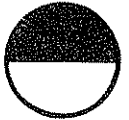
Ref	Part No	Qty	Description
	11 87 337		45" SILAGE GRAB
1	G381 2845	1	frame
2	G381 2846	1	Grab
3	G381 2848	6	tine c/w nut
	11 87 257		55" SILAGE GRAB
4	G381 2852	1	frame
5	G381 2853	1	Grab
6	G381 2848	7	Tine c/w nuts
Items 7 - 10 inclusive are common to both silage grabs			
7	G381 2849	2	Pivot pin - ram base
8	G381 2851	2	Pivot pin - ram rod
9	G381 2850	2	Pivot pin - clamp
10	G381 2847	2	Ram
	G381 2844		RAM SEAL KIT
	11 87 338		LOG GRAB
11	G381 2837	1	Frame
12	G381 2838	1	Grab
13	G381 2840	2	Pivot pin - grab
14	G381 2841	2	Pivot pin - ram base
15	G381 2842	2	Pivot pin - ram rod
16	G381 2839	2	Ram
	G381.2843		RAM SEAL KIT

Model.

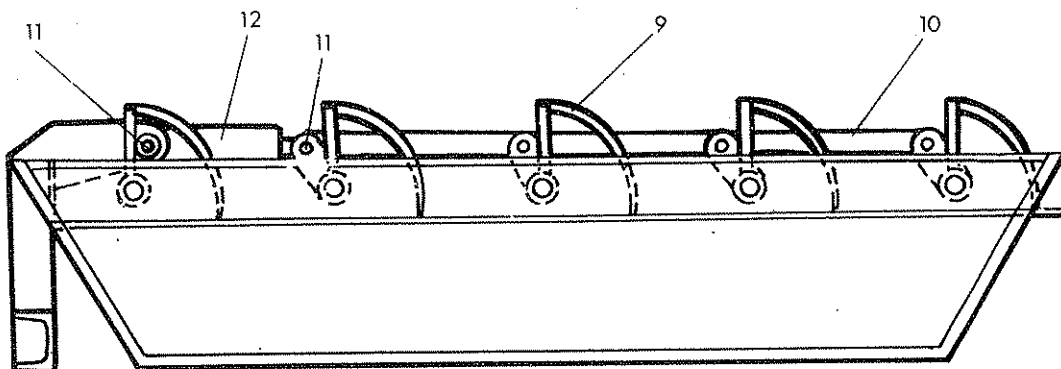
BALE HANDLING

**McCONEL**

Registered office: Temeside Works,  
Ludlow, Shropshire SY8 1JL, England.  
Telephone: Ludlow (0584) 3131  
Telex: 35313



Ref	Part No.	Qty.	Description
	11 87 264		ROUND BALE SPIKE
1	G381 2805	1	Main tine c/w nut
2	G381 2806	1	Stabiliser tine c/w nut
	11 87 340		ROUND BALE SPIKE c/w PUSH OFF
3	G381 2807	1	Main tine c/w nut
4	G381 2808	1	Stabiliser tine
5	G381 2809	1	Push off linkage
6	G381 2810	2	Pivot pin - ram base and slider
7	G381 2812	2	Pivot pin - ram rod and linkage pivot
8	G381 2811	1	Ram
	G381 2813		RAM SEAL KIT



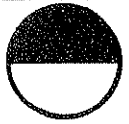
	11 87 341		FLAT 8 BALE GRAB
9	G381 2815	To Suit	Claw - weld on
10	G381 2817	1	link arm
11	G381 2816	4	Pivot pin
12	G381 2814	1	Ram
	G381 2818		RAM SEAL KIT

Model.

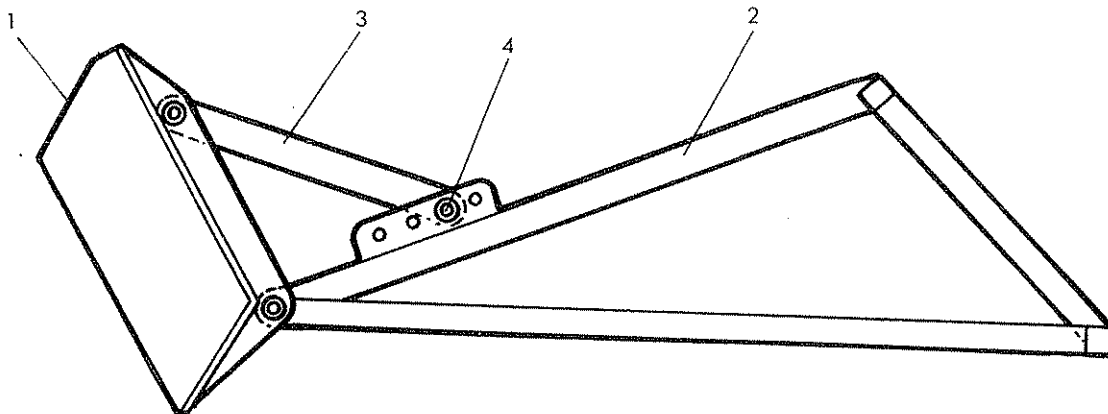
MISCELLANEOUS

**McCONEL**

Registered office: Temeside Works,  
Ludlow, Shropshire SY8 1JL, England.  
Telephone: Ludlow (0584) 3131  
Telex: 35313



Part No	Qty	Description
MISCELLANEOUS		
11 87 251		39" MANURE FORK
G381 2097	6	Bottom tine c/w nuts
G381 0199	2	Side tine
03 12 053	2	Setscrew 3/8 UNC x 5/8 long
11 87 252		53" MANURE FORK
G381 2097	8	Bottom tine c/w nuts
G381 0199	2	Side tine
03 12 053	2	Setscrew 3/8 UNC x 5/8 long
11 87 269		BULK BAG LIFTER
11 87 270		CRANING JIB
G381 0332	1	Jib
380 97	1	Hook
320 7	1	Pin
04 31 217	1	Linch Pin
11 87 271		68" DOZER BLADE - non angling



Ref	Part No	Qty	Description
	11 87 343		78" GRAIN PUSHER
1	G381 2819	1	Blade
2	G381 2820	1	Frame
3	G381 2821	2	Angling link
4	G381 2822	2	Link pin

## **F W McConnel Ltd**

*agricultural & industrial machinery*

Registered office: Temeside Works  
Ludlow, Shropshire, SY8 1JL England

*registered number 305192 England*

*telephone: Ludlow 3131 (std 0584)*

*telex: 35313*

*cables: Powerarm Ludlow*

